

SILVERCREST®



MINI CHOPPER / MULTIZERKLEINERER / HACHOIR MULTIFONCTION SMZ 260 K5

(GB) (IE)

MINI CHOPPER

Operating instructions

(FR) (BE)

HACHOIR MULTIFONCTION

Mode d'emploi

(CZ)

UNIVERZÁLNÍ DRTIČ

Návod k obsluze

(SK)

MULTIFUNKČNÝ KRÁJAČ

Návod na obsluhu

(DK)

MULTIHAKKER

Betjeningsvejledning

(DE) (AT) (CH)

MULTIZERKLEINERER

Bedienungsanleitung

(NL) (BE)

MULTIHAKKER

Gebruiksaanwijzing

(PL)

ROZDRABNIACZ UNIWERSALNY

Instrukcja obsługi

(ES)

PICADORA

Instrucciones de uso

IAN 352700_2010

(DE) (BE) (CZ)
(PL) (SK)



GB IE

Before reading, unfold the page containing the illustrations and familiarise yourself with all functions of the device.

DE AT CH

Klappen Sie vor dem Lesen die Seite mit den Abbildungen aus und machen Sie sich anschließend mit allen Funktionen des Gerätes vertraut.

FR BE

Avant de lire le mode d'emploi, ouvrez la page contenant les illustrations et familiarisez-vous ensuite avec toutes les fonctions de l'appareil.

NL BE

Vouw vóór het lezen de pagina met de afbeeldingen open en maak u vertrouwd met alle functies van het apparaat.

CZ

Před čtením si otevřete stranu s obrázky a potom se seznamte se všemi funkcemi přístroje.

PL

Przed przeczytaniem proszę rozłożyć stronę z ilustracjami, a następnie proszę zapoznać się z wszystkimi funkcjami urządzenia.

SK

Pred čítaním si odklopte stranu s obrázkami a potom sa oboznámte so všetkými funkciami prístroja.

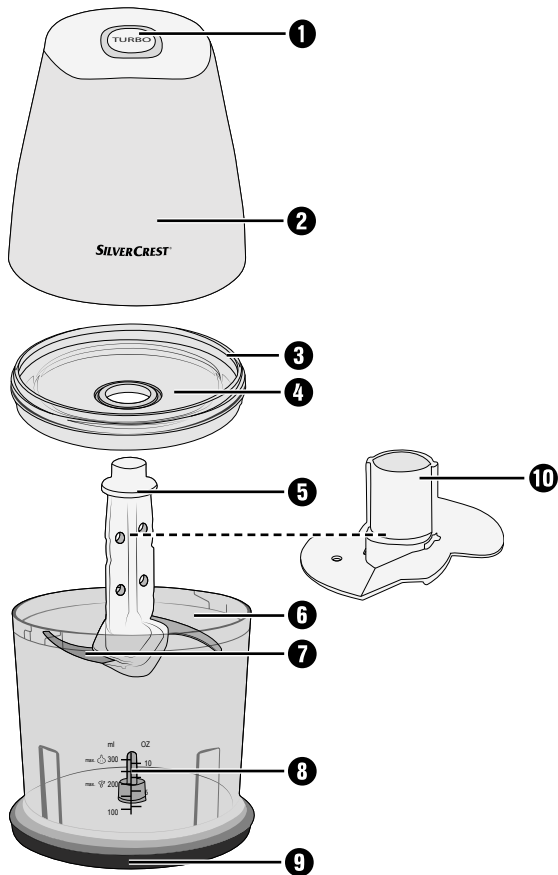
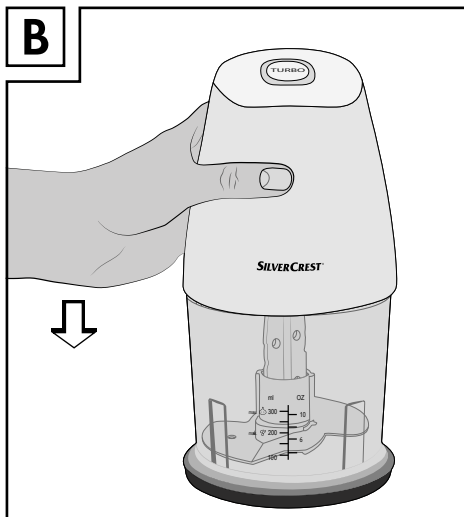
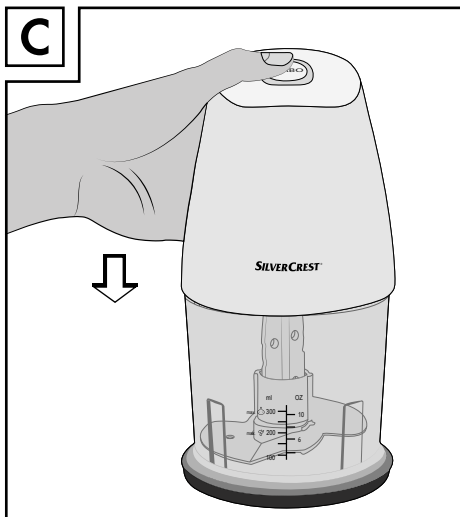
ES

Antes de empezar a leer abra la página que contiene las imágenes y, en seguida, familiarícese con todas las funciones del dispositivo.

DK

Før du læser, vend siden med billeder frem og bliv bekendt med alle apparatets funktioner.

GB/IE	Operating instructions	Page	1
DE/AT/CH	Bedienungsanleitung	Seite	15
FR/BE	Mode d'emploi	Page	29
NL/BE	Gebruiksaanwijzing	Pagina	47
CZ	Návod k obsluze	Strana	61
PL	Instrukcja obsługi	Strona	75
SK	Návod na obsluhu	Strana	89
ES	Instrucciones de uso	Página	103
DK	Betjeningsvejledning	Side	117

A**B****C**

Contents

Introduction	2
Intended use	2
Package contents	2
Unpacking	2
Disposal of the packaging	3
Appliance description	3
Technical details	4
Safety information	4
Operation	7
Chopping	7
Whipping cream	10
Cleaning and care	11
Troubleshooting	12
Appendix	12
Disposal of the appliance	12
Kompernass Handels GmbH warranty	13
Service	14
Importer	14



Read these operating instructions carefully before using the appliance for the first time and retain them for future reference. Please pass these operating instructions on to any future owner(s).

Introduction

Congratulations on the purchase of your new appliance!

You have chosen a modern, high-quality product. These operating instructions are part of the product. They contain important information about safety, usage and disposal. Before using the product, please familiarise yourself with all operating and safety instructions. This appliance may only be used as described and for the purposes indicated. Please also pass these operating instructions on to any future owner.

Intended use

This appliance is intended for the chopping of boneless foods in small amounts or for whipping cream. This appliance is intended exclusively for use in domestic households.

All other uses are deemed to be improper and may result in property damage or even in personal injury. No liability will be accepted for damages which result from improper use of the appliance.

This appliance is not intended for use in companies or for other commercial uses.

Package contents

The appliance is supplied with the following components as standard:

- Mini Chopper
- Blade holder with blade
- Whisk attachment
- Stand
- Operating instructions

Unpacking

- 1) Remove all parts of the appliance and the operating instructions from the box.
- 2) Remove all packaging materials from the appliance.

NOTE

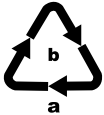
- ▶ Check the package for completeness and for signs of visible damage.
- ▶ If the delivery is incomplete or damage has occurred as a result of defective packaging or during transport, contact the Service hotline (see section **Service**).

Disposal of the packaging

The packaging protects the appliance from damage during transport. The packaging materials have been selected for their environmental friendliness and ease of disposal, and are therefore recyclable.



Returning the packaging to the material cycle conserves raw materials and reduces the amount of waste that is generated. Dispose of packaging materials that are no longer needed in accordance with applicable local regulations.



Dispose of the packaging in an environmentally friendly manner.

Note the labelling on the packaging and separate the packaging material components for disposal if necessary. The packaging material is labelled with abbreviations (a) and numbers (b) with the following meanings:

1 - 7: Plastics,

20 - 22: Paper and cardboard,

80 - 98: Composites.

NOTE







- ▶ If possible, keep the original packaging of the appliance for the entire duration of the warranty period so that the appliance can be packed properly for return shipment in the event of a warranty claim.

Appliance description

Figure A:

- 1 Turbo button
- 2 Motor unit
- 3 Lid flange
- 4 Lid
- 5 Blade holder
- 6 Bowl
- 7 Blade
- 8 Bearing
- 9 Stand
- 10 Whisk attachment

Technical details

Mains voltage	220 - 240 V ~ (alternating current), 50 Hz
Rated power	260 W
Protection class	II /  (double insulation)
CO time	1 minute (with whisk attachment )
Bowl capacity 	840 ml
Max. filling quantity	Food products up to the 300 ml marking 
	Liquids up to the 200 ml marking 
	All parts of this appliance which come into contact with food are food-safe.

CO TIME

The CO time (continuous operation time) is the amount of time an appliance can be operated without the motor overheating and becoming damaged. After the appliance has been operated for this duration of time, switch it off until the motor has cooled down.

Safety information

WARNING! RISK OF ELECTRIC SHOCK!

- ▶ Connect the appliance only to a correctly installed power socket supplying a mains power voltage of 220 - 240 V ~, at 50 Hz.
- ▶ To prevent accidents, have defective plugs and/or power cables replaced immediately by an authorised specialist, or our Customer Service or a similarly qualified person.
- ▶ In event of operating malfunctions and before cleaning the appliance, remove the power plug from the mains power socket.
- ▶ Always remove the power cable from the socket by pulling on the plug, not on the power cable itself.

WARNING! RISK OF ELECTRIC SHOCK!

- ▶ Do not kink or crush the power cable, and route the cable so that it cannot be stepped on or tripped over.
- ▶ Do not expose the appliance to humidity and do not use it outdoors. If any liquid gets into the housing, disconnect the appliance from the mains power socket immediately and have it repaired by a qualified technician.
- ▶ Never hold the appliance, power cable or power plug with wet hands.
- ▶ If the power cable or the motor unit are damaged, you must have the appliance repaired by qualified technicians before using it again. Do not attempt to open the motor unit housing. This can lead to risks and also invalidates the warranty.
- ▶ Disconnect the appliance from the mains power source immediately after use. The appliance is completely free of electrical power only when unplugged.



Never immerse the motor unit in liquid and do not allow any liquids to enter the motor unit casing.

WARNING! RISK OF INJURY!

- ▶ Before changing any accessories or additional parts which move during operation, the appliance must be switched off and disconnected from mains power.
- ▶ Never use the appliance for purposes other than those described in these instructions.
- ▶ Take care when emptying the bowl! The blade is extremely sharp!
- ▶ Take care when cleaning the appliance! The blade is extremely sharp!

⚠ WARNING! RISK OF INJURY!

- ▶ The appliance must always be disconnected from the mains when left unsupervised and before assembly, disassembly or cleaning.
- ▶ This appliance may not be used by children.
- ▶ The appliance and its connecting cable must be kept away from children.
- ▶ This appliance may be used by persons with limited physical, sensory or mental capabilities or lack of experience and knowledge, provided that they are under supervision or have been told how to use the appliance safely and are aware of the potential risks.
- ▶ Do not allow children to use the appliance as a plaything.
- ▶ Children should be supervised to ensure that they do not play with the appliance.
- ▶ Handle the extremely sharp blade with caution as it can cause injuries. Reassemble the appliance after using and/or cleaning it so that you do not injure yourself with the exposed blade. Keep the blade out of the reach of children.
- ▶ Never attempt to remove foodstuffs from the bowl for as long as the blade is still rotating. Risk of injury!
- ▶ Wait until the blade has stopped rotating before removing the motor unit.
- ▶ Never try to grasp the blade if it is still rotating!
Risk of injury!

⚠ WARNING! RISK OF FIRE!

- ▶ Do not allow the appliance to run for more than 1 minute. Afterwards, allow it to cool down.

CAUTION! APPLIANCE DAMAGE!

- ▶ See the table on the recommended fill quantities in the section "Chopping". Otherwise, there is a risk of contamination due to leaking contents.
- ▶ Do not clean the motor unit in the dishwasher, as this will damage it.
- ▶ Never fill the appliance with hot liquids! Otherwise the appliance could be damaged!

Operation

Chopping

NOTE

- ▶ Before first use, you must clean the appliance thoroughly as described in the section on cleaning.

- 1) Place the bowl **6** on the stand **9**.
- 2) Insert the blade holder **5** with the blade **7** onto the bearing **8**.
- 3) Prepare the food by chopping larger pieces into pieces (approx. 2 cm) which will fit better into the bowl **6**.
- 4) Add the food to the bowl **6**. Please note the following table: For optimum results, we recommend the following maximum filling quantities:

Food	Max. filling quantity	Processing time	Speed
Onions	100 g	pulse	turbo
Garlic	150 g	pulse	turbo
Tomatoes	200 g	10 sec.	normal
Hazelnuts	200 g	3 x 8 sec.	turbo

Food	Max. filling quantity	Processing time	Speed
Almonds	200 g	coarse: 1 x 15 sec. medium: 2 x 15 sec. fine: 3 x 15 sec.	turbo
Cheese (Gouda, young, fridge temperature)	150 g	2 x 15 sec.	turbo
Eggs (hard-boiled)	3 (150 g)	2 x 4 sec.	turbo
Meat	200 g	4 x 12 sec.	turbo
Ice cubes	100 g	15 x 1 sec. pulse	turbo

- 5) Close the bowl **6** with the lid **4**: Place it onto the bowl **6** so that the lugs on the lid **4** grip into the guides on the bowl **6**. Turn the lid **4** so that the lugs slide into the guides below.
 - 6) Place the motor unit **2** on the lid flange **3**.
 - 7) Press the motor unit **2** downwards as shown in fig. B. The motor starts at normal speed.
- For a higher processing speed (Turbo) for the food, press on both the motor unit **2** and the Turbo button **1** and keep both pressed down as shown in Fig. C.

NOTES

- ▶ If larger pieces start collecting on the wall of the bowl during processing, lift the motor unit **2** off the lid flange **3**. Give the bowl **6** a firm shake and restart the processing. Any residues can be removed with a spatula.
- ▶ Particularly hard foods should be cut into small pieces (approx. 2 cm) before processing. Otherwise, the motor unit could block. Use a pulsing processing method when working with hard foods. To do this, press the Turbo button **1** several times briefly (in addition to the motor unit **2**). If the food is not completely chopped, you can either cut it into smaller pieces or lift the motor unit **2** off of the lid flange **3**. Give the bowl **6** a firm shake and restart the processing.

- 8) If the food is fully chopped, let go of the motor unit **2** and, if applicable, the Turbo button **1**.
- 9) Remove the power plug from the socket.

⚠ WARNING! RISK OF INJURY!

- ▶ Never attempt to remove food from the bowl **6** while the blade **7** is still turning. There is a risk of injury and food can also spray out and make a mess.

- 10) Wait until the blade **7** has come to a complete standstill.
- 11) Lift the motor unit **2** off the lid flange **3**.
- 12) Remove the lid **4**.

⚠ WARNING! RISK OF INJURY!

- ▶ Handle the extremely sharp blade **7** with caution as it can cause injuries. Keep the blade **7** out of the reach of children.

- 13) Pull the blade holder **5** with the blade **7** carefully out of the bowl **6**.
- 14) Remove the food.

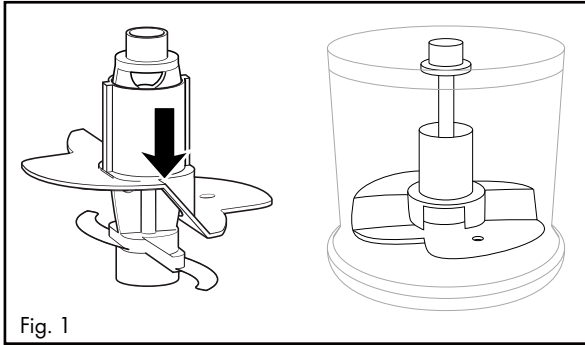
NOTES

- ▶ Chopping harder, abrasive foods can cause the bowl **6** to take on a dull appearance. This is normal and will not impair the functioning of the appliance.
- ▶ After you have finished processing the food, you can use the stand **9** as a lid for the bowl **6** to keep the food fresh for longer.
 - Take the motor unit **2** and the lid **4** off the bowl **6**.
 - The blade holder **5** with the blade **7** can, if so desired, remain in the bowl **6**.
 - Remove the stand **9** from the underside of the bowl **6**. Turn the stand **9**. You can now place the stand **9** on the bowl **6** so that it closes off the bowl **6**.

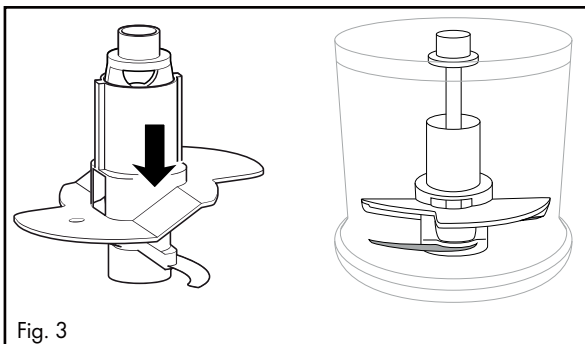
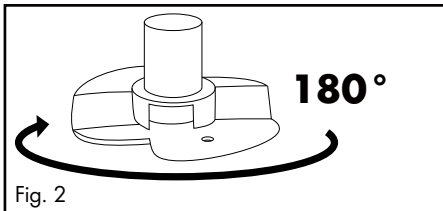
Whipping cream

You can also use the appliance to whip cream with the help of the whisk attachment **10**:

- 1) Place the bowl **6** on the stand **9**.
- 2) Push the whisk attachment **10** onto the blade holder **5**:
 - For 100 ml of cream, place it onto the blade holder **5** so that the whisk attachment **10** is in contact with both blades **7** and clicks into place (fig. 1):



- For 200 ml of cream, turn the whisk attachment **10** horizontally by 180° (fig. 2), so that it is in contact with only one blade **7** and clicks into place (fig. 3). It then churns higher through the cream.



- 3) Attach the blade holder **5** together with the whisk attachment **10** to the bearing **8**.
- 4) Add the cream.
- 5) Close the bowl **6** with the lid **4**: Place it onto the bowl **6** so that the lugs on the lid **4** grip into the guides on the bowl **6**. Turn the lid **4** so that the lugs slide into the guides below.
- 6) Place the motor unit **2** on the lid flange **3**.
- 7) Press the motor unit **2** downwards as shown in fig. B. The motor starts at normal speed.

NOTE

- ▶ To whip cream, you should make sure that it is well chilled before whipping (max. 8°C/fridge temperature).
- ▶ For 100 ml of cream, we recommend a whipping time of around 30 seconds at normal speed.
- ▶ For 200 ml of cream, we recommend a whipping time of around 30 – 50 seconds at normal speed.
- ▶ Depending on certain factors, such as fat content or the ambient temperature, the whipping time can vary. Keep an eye on the cream while you are whipping it and adjust the whipping time to fit your needs.

Cleaning and care

WARNING! RISK OF ELECTRIC SHOCK

- ▶ Always remove the plug from the mains power socket before cleaning the appliance.



- ▶ You must never immerse the appliance in water when cleaning it or hold it under running water.

WARNING! RISK OF INJURY!

- ▶ Handle the extremely sharp blade **7** with caution as it can cause injuries. Reassemble the appliance after using and/or cleaning it so that you do not injure yourself with the exposed blade **7**. Keep the blade **7** out of the reach of children.

CAUTION! PROPERTY DAMAGE!

- ▶ Do not clean the motor unit **2** in the dishwasher, as this will damage it.

- Remove the power plug from the socket.

- Clean the motor block ② and the blade holder ⑤ and the blade ⑦ with a well-wrung-out sponge.
- Clean the bowl ⑥, the whisk attachment ⑩, the lid ④ and the stand ⑨ in warm water with a little mild detergent. Rinse all the parts afterwards using fresh water and dry them with a tea towel.



Alternatively, you can clean all of the parts apart from the motor unit ② in the dishwasher. If possible, place the parts in the top basket of the dishwasher. Ensure that the parts are not trapped in any way.

Troubleshooting

PROBLEM	POSSIBLE CAUSE	POSSIBLE SOLUTIONS
The appliance is not working.	The appliance is not connected to a mains power socket.	Connect the appliance to a mains power socket.
	The appliance is damaged.	Contact the Customer Service department.
	A household fuse has blown.	Check the household fuses and replace them if necessary.
	The appliance is possibly defective.	Contact the Customer Service department.

If the malfunction cannot be corrected using one of the suggestions above, or if you have found some other kind of malfunction, please contact our Customer Service department.

Appendix

Disposal of the appliance



Never dispose of the appliance in your normal domestic waste. This product is subject to the provisions of European Directive 2012/19/EU.

Dispose of the appliance via an approved disposal company or your municipal waste facility. Please comply with all applicable regulations. Please contact your waste disposal centre if you are in any doubt.



Your local community or municipal authorities can provide information on how to dispose of the worn-out product.



The product is recyclable, subject to extended producer responsibility and is collected separately.

Kompernass Handels GmbH warranty

Dear Customer,

This appliance has a 3-year warranty valid from the date of purchase. If this product has any faults, you, the buyer, have certain statutory rights. Your statutory rights are not restricted in any way by the warranty described below.

Warranty conditions

The warranty period starts on the date of purchase. Please keep your receipt in a safe place. This will be required as proof of purchase.

If any material or manufacturing fault occurs within three years of the date of purchase of the product, we will either repair or replace the product for you or refund the purchase price (at our discretion). This warranty service requires that you present the defective appliance and the proof of purchase (receipt) within the three-year warranty period, along with a brief written description of the fault and of when it occurred.

If the defect is covered by the warranty, your product will either be repaired or replaced by us. The repair or replacement of a product does not signify the beginning of a new warranty period.

Warranty period and statutory claims for defects

The warranty period is not prolonged by repairs effected under the warranty. This also applies to replaced and repaired components. Any damage and defects present at the time of purchase must be reported immediately after unpacking. Repairs carried out after expiry of the warranty period shall be subject to a fee.

Scope of the warranty

This appliance has been manufactured in accordance with strict quality guidelines and inspected meticulously prior to delivery.

The warranty covers material faults or production faults. The warranty does not extend to product parts subject to normal wear and tear or to fragile parts which could be considered as consumable parts such as switches, batteries or parts made of glass.

The warranty does not apply if the product has been damaged, improperly used or improperly maintained. The directions in the operating instructions for the product regarding proper use of the product are to be strictly followed. Uses and actions that are discouraged in the operating instructions or which are warned against must be avoided.

This product is intended solely for private use and not for commercial purposes. The warranty shall be deemed void in cases of misuse or improper handling, use of force and modifications / repairs which have not been carried out by one of our authorised Service centres.

Warranty claim procedure

To ensure quick processing of your case, please observe the following instructions:

- Please have the till receipt and the item number (e.g. IAN 123456_7890) available as proof of purchase.
- You will find the item number on the type plate on the product, an engraving on the product, on the front page of the operating instructions (below left) or on the sticker on the rear or bottom of the product.
- If functional or other defects occur, please contact the service department listed either by **telephone** or by **e-mail**.
- You can return a defective product to us free of charge to the service address that will be provided to you. Ensure that you enclose the proof of purchase (till receipt) and information about what the defect is and when it occurred.



You can download these instructions along with many other manuals, product videos and installation software at www.lidl-service.com.

This QR code will take you directly to the Lidl service page (www.lidl-service.com) where you can open your operating instructions by entering the item number (IAN) 352700_2010.

Service

GB Service Great Britain

Tel.: 0800 404 7657

E-Mail: kompennass@lidl.co.uk

IE Service Ireland

Tel.: 1890 930 034

(0,08 EUR / Min., (peak))

(0,06 EUR / Min., (off peak))

E-Mail: kompennass@lidl.ie

IAN 352700_2010

Importer

Please note that the following address is not the service address. Please use the service address provided in the operating instructions.

KOMPERNASS HANDELS GMBH

BURGSTRASSE 21

44867 BOCHUM

GERMANY

www.kompennass.com

Inhaltsverzeichnis

Einleitung	16
Bestimmungsgemäße Verwendung	16
Lieferumfang	16
Auspacken	16
Entsorgung der Verpackung	17
Gerätebeschreibung	17
Technische Daten	18
Sicherheitshinweise	18
Bedienen	21
Zerkleinern	21
Sahne schlagen	24
Reinigung und Pflege	25
Fehlerbehebung	26
Anhang	26
Gerät entsorgen	26
Garantie der Kompertnaß Handels GmbH	27
Service	28
Importeur	28



Lesen Sie die Bedienungsanleitung vor der ersten Verwendung aufmerksam durch und heben Sie diese für den späteren Gebrauch auf. Händigen Sie bei Weitergabe des Gerätes an Dritte auch die Anleitung aus.

Einleitung

Herzlichen Glückwunsch zum Kauf Ihres neuen Gerätes!

Sie haben sich damit für ein modernes und hochwertiges Produkt entschieden. Die Bedienungsanleitung ist Bestandteil dieses Produktes. Sie enthält wichtige Hinweise für Sicherheit, Gebrauch und Entsorgung. Machen Sie sich vor der Benutzung des Produkts mit allen Bedien- und Sicherheitshinweisen vertraut. Benutzen Sie dieses Produkt nur wie beschrieben und für die angegebenen Einsatzbereiche. Händigen Sie alle Unterlagen bei Weitergabe des Produkts an Dritte mit aus.

Bestimmungsgemäße Verwendung

Dieses Gerät dient ausschließlich dem Zerkleinern von knochenlosen Lebensmitteln in kleinen Mengen oder dem Schlagen von Sahne. Dieses Gerät ist ausschließlich für die Benutzung im privaten Haushalt bestimmt.

Jede andere Verwendung gilt als nicht bestimmungsgemäß und kann zu Sachschäden oder sogar zu Personenschäden führen. Es werden keine Haftungen für Schäden, die durch nicht bestimmungsgemäßen Gebrauch entstehen, übernommen. Dieses Gerät ist nicht für den Betrieb in einem Unternehmen bzw. den gewerblichen Einsatz vorgesehen.

Lieferumfang

Das Gerät wird standardmäßig mit folgenden Komponenten geliefert:

- Multizerkleinerer
- Messerhalter mit Messer
- Emulgierscheibe
- Standfuß
- Bedienungsanleitung

Auspacken

- 1) Entnehmen Sie alle Teile des Gerätes und die Bedienungsanleitung aus dem Karton.
- 2) Entfernen Sie sämtliches Verpackungsmaterial vom Gerät.

HINWEIS

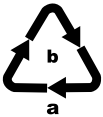
- ▶ Prüfen Sie die Lieferung auf Vollständigkeit und auf sichtbare Schäden.
- ▶ Bei einer unvollständigen Lieferung oder Schäden infolge mangelhafter Verpackung oder durch Transport wenden Sie sich an die Service-Hotline (siehe Kapitel **Service**).

Entsorgung der Verpackung

Die Verpackung schützt das Gerät vor Transportschäden. Die Verpackungsmaterialien sind nach umweltverträglichen und entsorgungstechnischen Gesichtspunkten ausgewählt und deshalb recyclebar.



Die Rückführung der Verpackung in den Materialkreislauf spart Rohstoffe und verringert das Abfallaufkommen. Entsorgen Sie nicht mehr benötigte Verpackungsmaterialien gemäß den örtlich geltenden Vorschriften.



Entsorgen Sie die Verpackung umweltgerecht.

Beachten Sie die Kennzeichnung auf den verschiedenen Verpackungsmaterialien und trennen Sie diese gegebenenfalls gesondert. Die Verpackungsmaterialien sind gekennzeichnet mit Abkürzungen (a) und Ziffern (b) mit folgender Bedeutung:
1-7: Kunststoffe,
20-22: Papier und Pappe,
80-98: Verbundstoffe.

HINWEIS

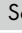


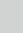
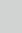

- Heben Sie, wenn möglich, die Originalverpackung während der Garantiezeit des Gerätes auf, um das Gerät im Garantiefall ordnungsgemäß verpacken zu können.

Gerätebeschreibung

Abbildung A:

- 1 Turbo-Taste
- 2 Motorblock
- 3 Deckel-Bund
- 4 Deckel
- 5 Messerhalter
- 6 Schüssel
- 7 Messer
- 8 Lager
- 9 Standfuß
- 10 Emulgierscheibe

Technische Daten

Netzspannung	220 - 240 V ~ (Wechselstrom) , 50 Hz
Nennleistung	260 W
Schutzklasse	II /  (Doppelisolierung)
KB-Zeit	1 Minute (mit Emulgierscheibe )
Fassungsvermögen Schlüssel 	840 ml
Max. Einfüllmengen	Lebensmittel bis zur 300 ml-Markierung 
	Flüssigkeiten bis zur 200 ml-Markierung 
	Alle Teile dieses Gerätes, die mit Lebensmitteln in Berührung kommen, sind lebensmittelecht.

KB-ZEIT


Die KB-Zeit (Kurzzeitbetrieb) gibt an, wie lange man ein Gerät betreiben kann, ohne dass der Motor überhitzt und Schaden nimmt. Nach der angegebenen KB-Zeit muss das Gerät solange ausgeschaltet werden, bis sich der Motor abgekühlt hat.

Sicherheitshinweise

STROMSCHLAGGEFAHR!

- ▶ Schließen Sie das Gerät nur an eine vorschriftsmäßig installierte Netzsteckdose mit einer Netzspannung von 220 - 240 V ~, mit 50 Hz an.
- ▶ Lassen Sie beschädigte Netzstecker oder Netzkabel sofort von autorisiertem Fachpersonal oder dem Kundenservice oder einer ähnlich qualifizierten Person austauschen, um Gefährdungen zu vermeiden.
- ▶ Ziehen Sie bei Betriebsstörungen und bevor Sie das Gerät reinigen den Netzstecker aus der Netzsteckdose.
- ▶ Ziehen Sie das Netzkabel stets am Stecker aus der Netzsteckdose, ziehen Sie nicht am Kabel selbst.

⚠ STROMSCHLAGGEFAHR!

- ▶ Knicken oder quetschen Sie das Netzkabel nicht und verlegen Sie das Netzkabel so, dass niemand darauf treten oder darüber stolpern kann.
 - ▶ Sie dürfen das Gerät keiner Feuchtigkeit aussetzen und nicht im Freien benutzen. Falls doch einmal Flüssigkeit in das Gerätegehäuse gelangt, ziehen Sie sofort den Netzstecker des Geräts aus der Netzsteckdose und lassen Sie es von qualifiziertem Fachpersonal reparieren.
 - ▶ Fassen Sie Gerät, Netzkabel und -stecker nie mit nassen Händen an.
 - ▶ Wenn das Netzkabel oder der Motorblock beschädigt sind, müssen Sie das Gerät von Fachpersonal reparieren lassen, bevor Sie es erneut verwenden. Sie dürfen das Motorblockgehäuse nicht öffnen. In diesem Falle ist die Sicherheit nicht gegeben und die Gewährleistung erlischt.
 - ▶ Trennen Sie das Gerät sofort nach dem Gebrauch vom Stromnetz. Nur wenn Sie den Netzstecker aus der Netzsteckdose ziehen, ist es vollständig stromfrei.
-  Sie dürfen den Motorblock keinesfalls in Flüssigkeit tauchen und keine Flüssigkeiten in das Gehäuse des Motorblocks gelangen lassen.

⚠ WARNUNG! VERLETZUNGSGEFAHR!

- ▶ Vor dem Auswechseln von Zubehör oder Zusatzteilen, die im Betrieb bewegt werden, muss das Gerät ausgeschaltet und vom Netz getrennt werden.
- ▶ Missbrauchen Sie das Gerät nicht für andere Zwecke als in dieser Anleitung beschrieben.
- ▶ Gehen Sie vorsichtig beim Leeren der Schüssel vor!
Das Messer ist sehr scharf!

⚠️ WARNUNG! VERLETZUNGSGEFAHR!

- ▶ Gehen Sie vorsichtig beim Reinigen des Gerätes vor!
Das Messer ist sehr scharf!
- ▶ Das Gerät ist bei nicht vorhandener Aufsicht und vor dem Zusammenbau, dem Auseinandernehmen oder Reinigen stets vom Netz zu trennen.
- ▶ Das Gerät darf nicht von Kindern benutzt werden.
- ▶ Das Gerät und seine Anschlussleitung sind von Kindern fernzuhalten.
- ▶ Dieses Gerät kann von Personen mit reduzierten physischen, sensorischen oder mentalen Fähigkeiten oder Mangel an Erfahrung und/oder Wissen benutzt werden, wenn sie beaufsichtigt oder bezüglich des sicheren Gebrauchs des Gerätes unterwiesen wurden und die daraus resultierenden Gefahren verstanden haben.
- ▶ Kinder dürfen nicht mit dem Gerät spielen.
- ▶ Kinder sollten beaufsichtigt werden, um sicherzustellen, dass sie nicht mit dem Gerät spielen.
- ▶ Beim Umgang mit dem extrem scharfen Messer besteht Verletzungsgefahr. Setzen Sie das Gerät nach Benutzung und Reinigung wieder zusammen, damit Sie sich nicht am freiliegenden Messer verletzen. Halten Sie das Messer für Kinder unzugänglich.
- ▶ Entnehmen Sie niemals die Lebensmittel aus der Schüssel, solange sich das Messer noch dreht. Verletzungsgefahr!
- ▶ Warten Sie, bis das Messer steht, bevor Sie den Motorblock abnehmen.
- ▶ Greifen Sie niemals in das noch rotierende Messer!
Verletzungsgefahr!

⚠️ WARNUNG! BRANDGEFAHR!

- ▶ Sie dürfen das Gerät nicht länger als 1 Minute laufen lassen. Lassen Sie es danach abkühlen.

ACHTUNG! GERÄTESCHÄDEN!

- ▶ Beachten Sie die Tabelle über die Füllmengen im Kapitel "Zerkleinern". Andernfalls besteht Verschmutzungsgefahr durch herausquellendes Füllgut.
- ▶ Sie dürfen den Motorblock nicht in der Geschirrspülmaschine reinigen, dieser würde dadurch beschädigt.
- ▶ Füllen Sie keine heißen Flüssigkeiten in das Gerät! Ansonsten kann das Gerät beschädigt werden!

Bedienen

Zerkleinern

HINWEIS

- ▶ Vor der ersten Benutzung müssen Sie das Gerät entsprechend den Anweisungen im Reinigungskapitel gründlich reinigen.
- 1) Setzen Sie die Schüssel **6** in den Standfuß **9**.
 - 2) Stecken Sie den Messerhalter **5** mit dem Messer **7** auf das Lager **8**.
 - 3) Bereiten Sie das Füllgut vor, indem Sie große Stücke soweit zerkleinern (ca. 2 cm), dass diese in die Schüssel **6** passen.
 - 4) Geben Sie das Füllgut in die Schüssel **6**. Für optimale Ergebnisse empfehlen wir folgende maximale Füllmengen:

Lebensmittel	Max. Füllmenge	Bearbeitungszeit	Geschwindigkeit
Zwiebeln	100 g	pulsierend	turbo
Knoblauch	150 g	pulsierend	turbo
Tomaten	200 g	10 Sek.	normal
Haselnüsse	200 g	3 x 8 Sek.	turbo
Mandeln	200 g	grob: 1 x 15 Sek. mittel: 2 x 15 Sek. fein: 3 x 15 Sek.	turbo

Lebensmittel	Max. Füllmenge	Bearbeitungszeit	Geschwindigkeit
Käse (Gouda, jung, Kühlschrank- temperatur)	150 g	2 x 15 Sek.	turbo
Eier (hart gekocht)	3 Stück (150 g)	2 x 4 Sek.	turbo
Fleisch	200 g	4 x 12 Sek.	turbo
Eiswürfel	100 g	15 x 1 Sek. pulsierend	turbo

- 5) Verschließen Sie die Schüssel **6** mit dem Deckel **4**: Setzen Sie ihn so auf die Schüssel **6**, dass die Nasen am Deckel **4** in die Schienen an der Schüssel **6** greifen. Drehen Sie den Deckel **4** dann so, dass die Nasen in den Schienen nach unten gleiten.
 - 6) Setzen Sie den Motorblock **2** auf den Deckel-Bund **3**.
 - 7) Drücken Sie den Motorblock **2** nach unten, wie in der Abbildung B gezeigt. Der Motor startet mit der normalen Bearbeitungsgeschwindigkeit.
- Um eine höhere Bearbeitungsgeschwindigkeit „Turbo“ für das Füllgut zu erhalten, drücken Sie zusätzlich zum Motorblock **2** die Turbo-Taste **1** und halten Sie diese gedrückt, wie in der Abbildung C gezeigt.

HINWEISE

- ▶ Sollten sich während der Bearbeitung größere Stücke des Füllguts an der Schüsselwand ansammeln, heben Sie den Motorblock **2** vom Deckel-Bund **3** ab. Schütteln Sie die Schüssel **6** kräftig durch und beginnen Sie anschließend mit der Bearbeitung von vorne. Entfernen Sie eventuelle Rückstände mit einem Teigschaber.
- ▶ Besonders harte Lebensmittel müssen vor der Bearbeitung in kleinere Stücke zerteilt werden (ca. 2 cm). Ansonsten kann der Motor blockieren. Wählen Sie eine pulsierende Bearbeitung bei harten Lebensmitteln. Drücken Sie hierzu mehrfach kurzzeitig die Turbo-Taste **1** (zusätzlich zum Motorblock **2**). Sollte das Füllgut nicht vollständig zerkleinert werden, können Sie es entweder in kleinere Stücke schneiden oder heben Sie den Motorblock **2** vom Deckel-Bund **3** ab. Schütteln Sie die Schüssel **6** kräftig durch und beginnen Sie anschließend mit der Bearbeitung von vorne.

- 8) Wenn das Füllgut zerkleinert worden ist, lassen Sie Motorblock **2** und gegebenenfalls die Turbo-Taste **1** los.
- 9) Ziehen Sie den Netzstecker.

⚠️ WARNUNG! VERLETZUNGSGEFAHR!

- ▶ Entnehmen Sie niemals die Lebensmittel aus der Schüssel **6**, solange sich das Messer **7** noch dreht. Es besteht Verletzungsgefahr und herausspritzender Inhalt könnte zu Verschmutzungen führen.

- 10) Warten Sie, bis das Messer **7** still steht.
- 11) Heben Sie den Motorblock **2** vom Deckel-Bund **3**.
- 12) Nehmen Sie den Deckel **4** ab.

⚠️ WARNUNG! VERLETZUNGSGEFAHR!

- ▶ Beim Umgang mit dem extrem scharfen Messer **7** besteht Verletzungsgefahr. Machen Sie das Messer **7** für Kinder unzugänglich.

- 13) Ziehen Sie den Messerhalter **5** mit dem Messer **7** vorsichtig aus der Schüssel **6**.
- 14) Entnehmen Sie das Füllgut.

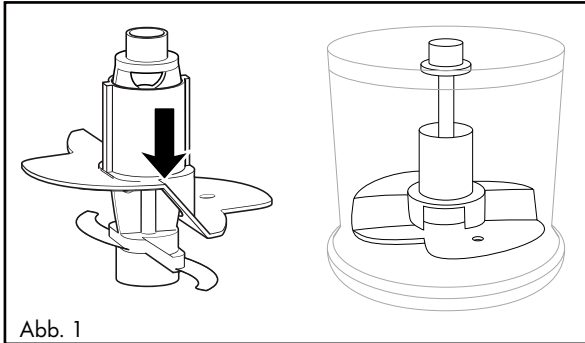
HINWEISE

- ▶ Durch das Zerkleinern von härteren, reibenden Lebensmitteln kann die Schüssel **6** mit der Zeit ein trübes Aussehen bekommen. Dies ist normal und beeinträchtigt die Funktion des Gerätes nicht.
- ▶ Sie können den Standfuß **9**, nachdem Sie die Bearbeitung der Lebensmittel beendet haben, als Deckel für die Schüssel **6** verwenden, um die Lebensmittel länger frisch zu halten.
 - Nehmen Sie den Motorblock **2** und den Deckel **4** von der Schüssel **6** ab.
 - Der Messerhalter **5** mit dem Messer **7** kann, wenn Sie wünschen, in der Schüssel **6** verbleiben.
 - Lösen Sie den Standfuß **9** von der Unterseite der Schüssel **6**. Drehen Sie den Standfuß **9** um. Sie können den Standfuß **9** nun auf die Schüssel **6** setzen, so dass dieser die Schüssel **6** verschließt.

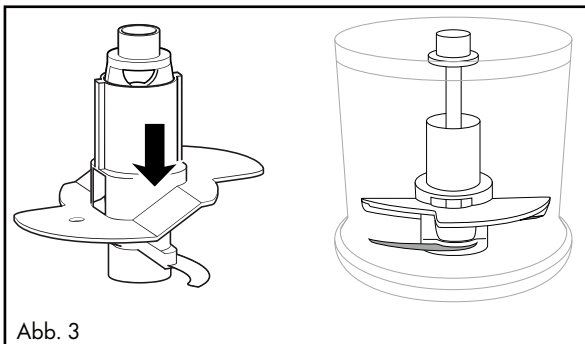
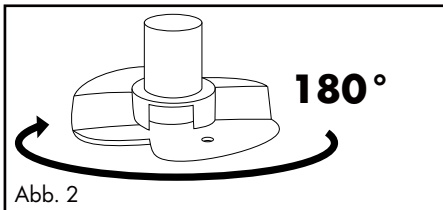
Sahne schlagen

Mit der Emulgierscheibe **10** können Sie mit diesem Gerät auch Sahne schlagen:

- 1) Setzen Sie die Schüssel **6** in den Standfuß **9**.
- 2) Schieben Sie die Emulgierscheibe **10** auf den Messerhalter **5**:
 - Für 100 ml Sahne stecken Sie ihn so auf den Messerhalter **5**, dass die Emulgierscheibe **10** auf beiden Messern **7** aufliegt und einrastet (Abb. 1):



- Für 200 ml Sahne drehen Sie die Emulgierscheibe **10** horizontal um 180° (Abb.2), so dass dieser nur noch auf einem Messer **7** aufliegt und einrastet (Abb.3). Er pflügt dann höher durch die Sahne:



- 3) Stecken Sie den Messerhalter **5** mit der Emulgierscheibe **10** auf das Lager **8**.
- 4) Füllen Sie die Sahne ein.
- 5) Verschließen Sie die Schüssel **6** mit dem Deckel **4**: Setzen Sie ihn so auf die Schüssel **6**, dass die Nasen am Deckel **4** in die Schienen an der Schüssel **6** greifen. Drehen Sie den Deckel **4** dann so, dass die Nasen in den Schienen nach unten gleiten.
- 6) Setzen Sie den Motorblock **2** auf den Deckel-Bund **3**.
- 7) Drücken Sie den Motorblock **2** nach unten, wie in der Abbildung B gezeigt. Der Motor startet mit der normalen Bearbeitungsgeschwindigkeit.

HINWEIS

- ▶ Um Sahne zu schlagen, sollte diese vor dem Steifschlagen gut gekühlt sein (max. 8°C/Kühlschranktemperatur).
- ▶ Wir empfehlen bei 100 ml Sahne eine Schlagzeit von ca. 30 Sekunden bei normaler Geschwindigkeit.
- ▶ Bei 200 ml Sahne empfehlen wir eine Schlagzeit von ca. 30 – 50 Sekunden bei normaler Geschwindigkeit.
- ▶ Bedingt durch verschiedene Einflüsse, wie z. B. Fettgehalt der Sahne oder die Außentemperatur, kann die Schlagzeit jedoch variieren! Beobachten Sie die Sahne während des Steifschlagens und passen Sie die Schlagzeit Ihren Bedürfnissen an.

Reinigung und Pflege

STROMSCHLAGEFAHR!

- ▶ Bevor Sie das Gerät reinigen, ziehen Sie immer den Netzstecker aus der Netzsteckdose.



- ▶ Sie dürfen das Gerät bei der Reinigung keinesfalls in Wasser tauchen oder unter fließendes Wasser halten.

WARNUNG! VERLETZUNGSGEFAHR!

- ▶ Beim Umgang mit dem extrem scharfen Messer **7** besteht Verletzungsgefahr. Setzen Sie das Gerät nach Benutzung und Reinigung wieder zusammen, damit Sie sich nicht am freiliegenden Messer **7** verletzen. Machen Sie das Messer **7** für Kinder unzugänglich.

ACHTUNG! SACHSCHADEN!

- ▶ Sie dürfen den Motorblock **2** nicht in der Geschirrpülmaschine reinigen, dieser würde dadurch beschädigt.
- Ziehen Sie den Netzstecker.
 - Reinigen Sie den Motorblock **2** und den Messerhalter **5** mit dem Messer **7** mit einem gut ausgedrückten Schwamm.

- Reinigen Sie die Schüssel **6**, die Emulgierscheibe **10**, den Deckel **4** und den Standfuß **9** in warmem Wasser und geben Sie ein mildes Spülmittel hinzu. Spülen Sie alle Teile mit klarem Wasser ab und trocknen Sie diese mit einem Trockentuch.



Alternativ können alle Teile, bis auf den Motorblock **2**, in der Geschirrspülmaschine gereinigt werden. Legen Sie die Teile dabei, wenn möglich, in den oberen Korb der Spülmaschine. Achten Sie darauf, dass die Teile nicht eingeklemmt werden.

Fehlerbehebung

PROBLEM	MÖGLICHE URSACHE	MÖGLICHE LÖSUNGEN
Das Gerät funktioniert nicht.	Das Gerät ist nicht mit einer Netzsteckdose verbunden.	Schließen Sie das Gerät an eine Netzsteckdose an.
	Das Gerät ist beschädigt.	Wenden Sie sich an den Service.
	Eine Haushaltssicherung ist defekt.	Überprüfen Sie die Haushaltssicherungen und erneuern Sie diese gegebenenfalls.
	Das Gerät ist möglicherweise defekt.	Wenden Sie sich an den Service.

Sollten sich die Störungen nicht mit oben stehenden Fehlerbehebungen beheben lassen, oder wenn Sie andere Arten von Störungen feststellen, wenden Sie sich bitte an unseren Service.

Anhang

Gerät entsorgen



Werfen Sie das Gerät keinesfalls in den normalen Hausmüll. Dieses Produkt unterliegt der europäischen Richtlinie 2012/19/EU.

Entsorgen Sie das Gerät über einen zugelassenen Entsorgungsbetrieb oder über Ihre kommunale Entsorgungseinrichtung. Beachten Sie die aktuell geltenden Vorschriften. Setzen Sie sich im Zweifelsfall mit Ihrer Entsorgungseinrichtung in Verbindung.



Möglichkeiten zur Entsorgung des ausgedienten Produkts erfahren Sie bei Ihrer Gemeinde- oder Stadtverwaltung.



Das Produkt ist recycelbar, unterliegt einer erweiterten Herstellerverantwortung und wird getrennt gesammelt.

Garantie der Kompersnaß Handels GmbH

Sehr geehrte Kundin, sehr geehrter Kunde,

Sie erhalten auf dieses Gerät 3 Jahre Garantie ab Kaufdatum. Im Falle von Mängeln dieses Produkts stehen Ihnen gegen den Verkäufer des Produkts gesetzliche Rechte zu. Diese gesetzlichen Rechte werden durch unsere im Folgenden dargestellte Garantie nicht eingeschränkt.

Garantiebedingungen

Die Garantiefrist beginnt mit dem Kaufdatum. Bitte bewahren Sie den Kassenbon gut auf. Dieser wird als Nachweis für den Kauf benötigt.

Tritt innerhalb von drei Jahren ab dem Kaufdatum dieses Produkts ein Material- oder Fabrikationsfehler auf, wird das Produkt von uns – nach unserer Wahl – für Sie kostenlos repariert, ersetzt oder der Kaufpreis erstattet. Diese Garantieleistung setzt voraus, dass innerhalb der Dreijahresfrist das defekte Gerät und der Kaufbeleg (Kassenbon) vorgelegt und schriftlich kurz beschrieben wird, worin der Mangel besteht und wann er aufgetreten ist.

Wenn der Defekt von unserer Garantie gedeckt ist, erhalten Sie das reparierte oder ein neues Produkt zurück. Mit Reparatur oder Austausch des Produkts beginnt kein neuer Garantiezeitraum.

Garantiezeit und gesetzliche Mängelansprüche

Die Garantiezeit wird durch die Gewährleistung nicht verlängert. Dies gilt auch für ersetzte und reparierte Teile. Eventuell schon beim Kauf vorhandene Schäden und Mängel müssen sofort nach dem Auspacken gemeldet werden. Nach Ablauf der Garantiezeit anfallende Reparaturen sind kostenpflichtig.

Garantieumfang

Das Gerät wurde nach strengen Qualitätsrichtlinien sorgfältig produziert und vor Auslieferung gewissenhaft geprüft.

Die Garantieleistung gilt für Material- oder Fabrikationsfehler. Diese Garantie erstreckt sich nicht auf Produktteile, die normaler Abnutzung ausgesetzt sind und daher als Verschleißteile angesehen werden können oder für Beschädigungen an zerbrechlichen Teilen, z. B. Schalter, Akkus oder Teile, die aus Glas gefertigt sind.

Diese Garantie verfällt, wenn das Produkt beschädigt, nicht sachgemäß benutzt oder gewartet wurde. Für eine sachgemäße Benutzung des Produkts sind alle in der Bedienungsanleitung aufgeführten Anweisungen genau einzuhalten. Verwendungszwecke und Handlungen, von denen in der Bedienungsanleitung abgeraten oder vor denen gewarnt wird, sind unbedingt zu vermeiden.

Das Produkt ist nur für den privaten und nicht für den gewerblichen Gebrauch bestimmt. Bei missbräuchlicher und unsachgemäßer Behandlung, Gewaltanwendung und bei Eingriffen, die nicht von unserer autorisierten Serviceniederlassung vorgenommen wurden, erlischt die Garantie.

Abwicklung im Garantiefall

Um eine schnelle Bearbeitung Ihres Anliegens zu gewährleisten, folgen Sie bitte den folgenden Hinweisen:

- Bitte halten Sie für alle Anfragen den Kassensbon und die Artikelnummer (z. B. IAN 123456_7890) als Nachweis für den Kauf bereit.
- Die Artikelnummer entnehmen Sie bitte dem Typenschild am Produkt, einer Gravur am Produkt, dem Titelblatt der Bedienungsanleitung (unten links) oder dem Aufkleber auf der Rück- oder Unterseite des Produktes.
- Sollten Funktionsfehler oder sonstige Mängel auftreten, kontaktieren Sie zunächst die nachfolgend benannte Serviceabteilung **telefonisch** oder per **E-Mail**.
- Ein als defekt erfasstes Produkt können Sie dann unter Beifügung des Kaufbelegs (Kassensbon) und der Angabe, worin der Mangel besteht und wann er aufgetreten ist, für Sie portofrei an die Ihnen mitgeteilte Serviceanschrift übersenden.



Auf www.lidl-service.com können Sie diese und viele weitere Handbücher, Produktvideos und Installationssoftware herunterladen.

Mit diesem QR-Code gelangen Sie direkt auf die Lidl-Service-Seite (www.lidl-service.com) und können mittels der Eingabe der Artikelnummer (IAN) 352700_2010 Ihre Bedienungsanleitung öffnen.

Service

DE Service Deutschland

Tel.: 0800 5435 111 (kostenfrei aus dem dt. Festnetz/Mobilfunknetz)
E-Mail: kompernass@lidl.de

AT Service Österreich

Tel.: 0820 201 222 (0,15 EUR/Min.)
E-Mail: kompernass@lidl.at

CH Service Schweiz

Tel.: 0842 665566 (0,08 CHF/Min., Mobilfunk max. 0,40 CHF/Min.)
E-Mail: kompernass@lidl.ch

IAN 352700_2010

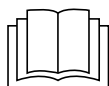
Importeur

Bitte beachten Sie, dass die folgende Anschrift keine Serviceanschrift ist. Kontaktieren Sie zunächst die benannte Servicestelle.

KOMPERNASS HANDELS GMBH
BURGSTRASSE 21
44867 BOCHUM
DEUTSCHLAND
www.kompernass.com

Table des matières

Introduction	30
Usage conforme	30
Matériel livré	30
Déballage	30
Élimination de l'emballage	31
Description de l'appareil	31
Caractéristiques techniques	32
Consignes de sécurité	32
Utilisation	35
Broyer	35
Fouetter de la crème	38
Nettoyage et entretien	39
Dépannage	40
Annexe	40
Mise au rebut de l'appareil	40
Garantie pour Kompnass Handels GmbH pour la Belgique	41
Garantie pour Kompnass Handels GmbH pour la France	43
Service après-vente	45
Importateur	46



Veillez lire attentivement et entièrement le mode d'emploi avant la première utilisation et le conserver en vue d'une réutilisation ultérieure. Lors du transfert de l'appareil à une tierce personne, remettez-lui également le mode d'emploi.

Introduction

Félicitations pour l'achat de votre nouvel appareil !

Vous avez opté pour un produit moderne et de grande qualité. Le présent mode d'emploi fait partie intégrante de ce produit. Il contient des remarques importantes concernant la sécurité, l'usage et la mise au rebut. Avant d'utiliser le produit, veuillez vous familiariser avec toutes les consignes d'utilisation et de sécurité. N'utilisez l'appareil que de la manière indiquée et pour les domaines d'application spécifiés. Si vous cédez le produit à un tiers, remettez-lui également tous les documents.

Usage conforme

L'appareil sert uniquement à broyer des produits alimentaires sans os et en petites quantités, et à fouetter de la crème. Cet appareil est exclusivement destiné à un usage domestique.

Toute autre utilisation est considérée comme non conforme et peut entraîner des dommages matériels, voire des accidents. Aucune responsabilité ne peut être assumée au titre de dommages engendrés par un usage non conforme.

Cet appareil n'est pas conçu pour une utilisation en entreprise ni pour une utilisation commerciale.

Matériel livré

L'appareil est livré équipé standard avec les composants suivants :

- Hachoir multifonction
- Porte-lame avec lame-hélice
- Accessoire batteur
- Embase
- Mode d'emploi

Déballage

- 1) Sortez du carton toutes les pièces de l'appareil et le mode d'emploi.
- 2) Retirez tout le matériel d'emballage de l'appareil.

REMARQUE

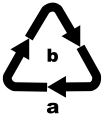
- ▶ Vérifiez si la livraison est au complet et ne présente aucun dégât apparent.
- ▶ En cas de livraison incomplète ou de dommages résultant d'un emballage défectueux ou du transport, veuillez vous adresser à la hotline du service après-vente (voir le chapitre **Service après-vente**).

Élimination de l'emballage

L'emballage protège l'appareil de tous dommages éventuels au cours du transport. Les matériaux d'emballage ont été sélectionnés selon des critères de respect de l'environnement et de recyclage permettant leur élimination écologique.



Le recyclage de l'emballage en filière de revalorisation permet d'économiser des matières premières et de réduire le volume de déchets. Veuillez éliminer les matériaux d'emballage qui ne servent plus en respectant la réglementation locale.



Éliminez l'emballage d'une manière respectueuse de l'environnement.

Observez le marquage sur les différents matériaux d'emballage et triez-les séparément si nécessaire. Les matériaux d'emballage sont repérés par des abréviations (a) et des numéros (b) qui ont la signification suivante :

1 - 7 : Plastiques,

20 - 22 : Papier et carton,

80 - 98 : Matériaux composites.

REMARQUE

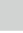
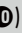




- ▶ Si possible, conservez l'emballage d'origine pendant la période de garantie de l'appareil afin de pouvoir emballer ce dernier en bonne et due forme en cas de recours en garantie.

Description de l'appareil

Figure A :

- 1 Touche Turbo
- 2 Bloc-moteur
- 3 Collet du couvercle
- 4 Couvercle
- 5 Porte-lame
- 6 Bol
- 7 Lame-hélice
- 8 Support
- 9 Embase
- 10 Accessoire batteur

Caractéristiques techniques

Tension secteur	220 - 240 V ~ (courant alternatif), 50 Hz
Puissance nominale	260 W
Classe de protection	II /  (double isolation)
Temps d'opération par intermittence	1 minute (avec accessoire batteur )
Capacité du bol 	840 ml
Quantités max.	Aliments jusqu'au repère 300 ml 
	Liquides jusqu'au repère 200 ml 
	Tous les éléments de cet appareil en contact avec les aliments conviennent aux produits alimentaires.

TEMPS D'OPÉRATION PAR INTERMITTENCE


Le temps d'opération par intermittence indique pendant combien de temps l'appareil peut être opéré sans que le moteur ne surchauffe ou subisse de dommages. Suite au temps d'opération par intermittence, l'appareil doit être éteint jusqu'à ce que le moteur soit refroidi.

Consignes de sécurité

RISQUE D'ÉLECTROCUTION

- ▶ Ne branchez la fiche secteur de cet appareil que dans une prise secteur réglementairement installée et débitant une tension nominale comprise entre 220 et 240 V ~, à 50 Hz.
- ▶ Faites immédiatement remplacer une fiche secteur ou un cordon d'alimentation endommagé(e) par des spécialistes agréés, ou par le service après-vente ou par une autre personne qualifiée pour éviter tous risques.
- ▶ En cas de dysfonctionnements et avant de nettoyer l'appareil, débranchez la fiche secteur de la prise secteur.
- ▶ Pour débrancher le cordon d'alimentation, toujours prendre soin de retirer la fiche de la prise et de ne pas tirer sur le cordon.

⚠ RISQUE D'ÉLECTROCUTION

- ▶ Évitez de plier ou d'écraser le cordon d'alimentation et posez-le de telle manière que personne ne puisse marcher ni trébucher dessus.
 - ▶ Il est interdit d'exposer l'appareil à l'humidité et de l'utiliser à l'extérieur. Si toutefois du liquide devait pénétrer dans le boîtier de l'appareil, débranchez immédiatement la fiche de la prise secteur et confiez l'appareil à un atelier spécialisé pour le réparer.
 - ▶ Ne jamais saisir l'appareil, le cordon ou la fiche avec des mains humides.
 - ▶ Si le cordon d'alimentation ou le bloc-moteur est endommagé, il faut confier la réparation de l'appareil à du personnel qualifié avant de le réutiliser à nouveau. Il ne faut jamais ouvrir le corps du bloc-moteur. Dans ce cas, la sécurité n'est plus assurée et vous perdez le bénéfice de la garantie.
 - ▶ Après utilisation de l'appareil, débranchez-le immédiatement du réseau électrique. L'appareil n'est entièrement hors tension que si vous débranchez la fiche mâle de la prise secteur.
-  Ne plongez jamais le bloc moteur dans des liquides et ne laissez jamais des liquides pénétrer dans le corps du bloc moteur.

⚠ AVERTISSEMENT ! RISQUE DE BLESSURES !

- ▶ Avant de changer les accessoires ou les pièces supplémentaires mobiles lors de l'utilisation, l'appareil doit être à l'arrêt et débranché du secteur.
- ▶ N'utilisez pas l'appareil à d'autres fins que celles décrites dans cette notice.
- ▶ Procédez avec la plus grande prudence lorsque vous videz le bol mélangeur ! La lame est extrêmement tranchante !

⚠ AVERTISSEMENT ! RISQUE DE BLESSURES !

- ▶ Procédez avec la plus grande prudence lorsque vous nettoyez l'appareil ! La lame est extrêmement tranchante !
- ▶ Il faut toujours débrancher l'appareil du réseau électrique s'il doit rester sans surveillance, avant l'assemblage, le démontage ou le nettoyage.
- ▶ L'appareil ne doit pas être utilisé par des enfants.
- ▶ Tenez l'appareil et son cordon de raccordement hors de portée des enfants.
- ▶ Cet appareil peut être utilisé par des personnes ayant des capacités physiques, sensorielles ou mentales réduites ou un manque d'expérience et de connaissances, à condition qu'elles aient reçu une supervision ou des instructions concernant l'utilisation de l'appareil en toute sécurité et qu'elles comprennent les dangers encourus.
- ▶ Les enfants ne doivent pas jouer avec l'appareil.
- ▶ Il faut surveiller les enfants pour être sûr qu'ils ne jouent pas avec l'appareil.
- ▶ Risque de blessures pendant le maniement de la lame extrêmement tranchante. Après l'utilisation et le nettoyage, remontez l'appareil afin de ne pas vous blesser au contact de la lame à nu. Rangez la lame hors de portée des enfants.
- ▶ Ne retirez jamais les produits alimentaires du bol tant que la lame tourne. Risque de blessures !
- ▶ Avant de retirer le bloc-moteur, attendez que la lame se soit immobilisée.
- ▶ N'approchez jamais les doigts de la lame en train de tourner ! Risque de blessures !

⚠ AVERTISSEMENT ! RISQUE D'INCENDIE !

- ▶ Ne faites pas fonctionner l'appareil pendant plus d'une minute. Laissez-le ensuite refroidir.

ATTENTION ! DOMMAGES SUR L'APPAREIL !

- ▶ Respectez le contenu du tableau des quantités au chapitre «Broyer». Il y a sinon risque de vous salir au contact du contenu en train de déborder.
- ▶ Le bloc-moteur ne doit pas passer au lave-vaisselle car il risque d'être endommagé.
- ▶ Ne versez aucun produit alimentaire/liquide très chaud dans l'appareil ! Vous risquez d'endommager l'appareil !

Utilisation

Broyer

REMARQUE

- ▶ Avant la première utilisation, il faut nettoyer l'appareil soigneusement, conformément aux instructions du chapitre sur le nettoyage.

- 1) Placez le bol **6** dans son embase **9**.
- 2) Placez le porte-lame **5** avec la lame-hélice **7** sur le support **8**.
- 3) Préparez le contenu : réduisez la taille des gros morceaux (jusqu'à 2 cm env.) afin qu'ils puissent rentrer dans le bol **6**.
- 4) Placez les aliments dans le bol **6**. Pour d'excellents résultats, nous recommandons les quantités maximales suivantes :

Aliments	Quantité max.	Temps de transformation	Vitesse
Oignons	100 g	par impulsions	turbo
Ail	150 g	par impulsions	turbo
Tomates	200 g	10 sec.	normal
Noisettes	200 g	3 x 8 sec.	turbo

Aliments	Quantité max.	Temps de transformation	Vitesse
Amandes	200 g	Broyage grossier : 1 x 15 sec. Broyage moyen : 2 x 15 sec. Broyage fin : 3 x 15 sec.	turbo
Fromage (Gouda, jeune, à température du réfrigérateur)	150 g	2 x 15 sec.	turbo
Œufs (durs)	3 (150 g)	2 x 4 sec.	turbo
Viande	200 g	4 x 12 sec.	turbo
Glaçons	100 g	15 x 1 sec. par impulsions	turbo

- 5) Fermez le bol **6** avec le couvercle **4** : Placez le couvercle sur le bol **6** de sorte que les ergots du couvercle **4** s'enclenchent dans les rails du bol **6**. Ensuite, tournez le couvercle **4** de manière à ce que les ergots glissent vers le bas dans les rails.
 - 6) Placez le bloc-moteur **2** sur le collet du couvercle **3**.
 - 7) Poussez le bloc-moteur **2** vers le bas, comme le montre la figure B. Le moteur démarre à la vitesse normale.
- Pour obtenir une vitesse de transformation du contenu plus élevée («Turbo»), appuyez, en plus du bloc-moteur **2**, sur la touche Turbo **1** et maintenez-la appuyée comme le montre la figure C.

REMARQUES

- ▶ Si pendant la transformation de gros morceaux le contenu s'accumule contre la paroi du bol, soulevez le bloc moteur **2** pour le détacher du collet du couvercle **3**. Agitez le bol **6** énergiquement et reprenez la transformation depuis le début. Retirez d'éventuels résidus à l'aide d'une spatule à pâte.
- ▶ Avant de transformer des aliments particulièrement durs, il faut les couper en morceaux plus petits (2 cm env.). Le moteur risque sinon de se bloquer. Avec les aliments durs, utilisez de préférence une transformation par impulsions. Appuyez pour cela plusieurs fois brièvement sur la touche Turbo **1** (en plus d'appuyer sur le bloc-moteur **2**). Si l'appareil ne broie pas complètement le contenu, vous pouvez soit couper ce dernier en plus petits morceaux ou détacher le bloc-moteur **2** du collet du couvercle **3**. Agitez le bol **6** énergiquement et reprenez la transformation depuis le début.

- 8) Une fois que le contenu a été broyé, cessez d'appuyer sur le bloc-moteur **2** et le cas échéant sur la touche Turbo **1**.
- 9) Retirez la fiche mâle de la prise secteur.

⚠ AVERTISSEMENT ! RISQUE DE BLESSURES !

- ▶ Ne retirez jamais d'aliments du bol **6** tant que la lame-hélice **7** tourne. Il y a risque de blessures et le contenu risque de causer des salissures en jaillissant.

- 10) Attendez que la lame-hélice **7** se soit immobilisée.
- 11) Soulevez le bloc-moteur **2** pour le détacher du collet **3** du couvercle.
- 12) Retirez le couvercle **4**.

⚠ AVERTISSEMENT ! RISQUE DE BLESSURES !

- ▶ Risque de blessures pendant le maniement de la lame-hélice **7** extrêmement tranchante. Rangez la lame-hélice **7** hors de portée des enfants.

- 13) Extrayez prudemment le porte-lame **5** et la lame-hélice **7** du bol **6**.
- 14) Retirez le contenu.

REMARQUES

- ▶ Le broyage d'aliments plutôt durs et générateurs de friction peut avec le temps opacifier la paroi intérieure du bol **6**. Il s'agit d'un phénomène normal qui ne gêne aucunement le fonctionnement de l'appareil !
- ▶ Après avoir fini de traiter les aliments et pour les maintenir frais plus longtemps, vous pouvez utiliser l'embase **9** comme couvercle du bol **6**.
 - Détachez le bloc-moteur **2** et le couvercle **4** du bol **6**.
 - Si vous le souhaitez, le porte-lame **5** et la lame-hélice **7** peuvent rester dans le bol **6**.
 - Détachez l'embase **9** du dessous du bol **6**. Retournez l'embase **9**. Maintenant, vous pouvez poser l'embase **9** sur le bol **6** afin de fermer le bol **6**.

Fouetter de la crème

L'accessoire batteur **10** vous permet aussi de fouetter de la crème :

- 1) Placez le bol **6** dans son embase **9**.
- 2) Poussez l'accessoire batteur **10** sur le porte-lame **5** :
 - Pour 100 ml de crème, montez l'accessoire batteur sur le porte-lame **5** de sorte que l'accessoire batteur **10** s'applique sur les deux lames-hélice **7** et s'enclenche (fig. 1) :

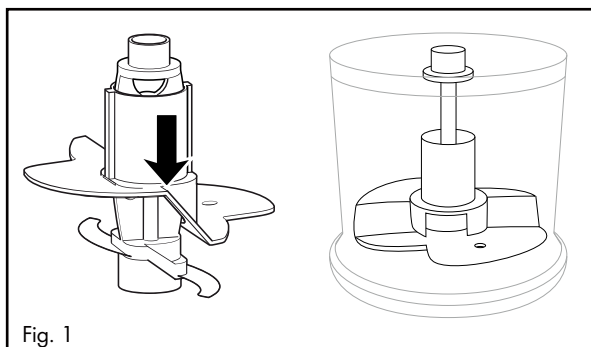


Fig. 1

- Pour 200 ml de crème, tournez l'accessoire batteur **10** horizontalement à 180° (fig. 2) de sorte qu'il n'appuie plus que sur une lame-hélice **7** et s'enclenche (fig. 3). Dans ce cas, il fouette la crème plus en hauteur :

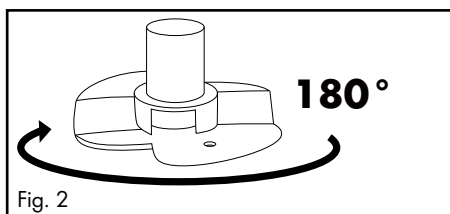


Fig. 2

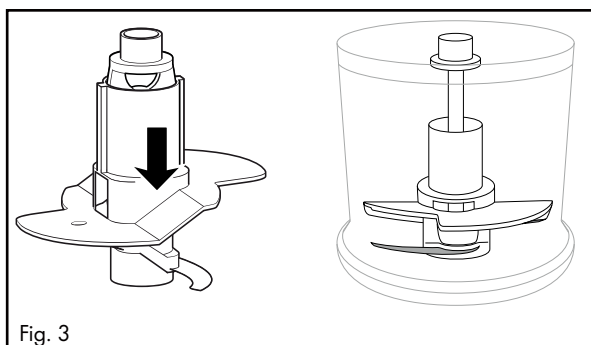


Fig. 3


- 3) Fixez le porte-lame ⑤ avec l'accessoire batteur ⑩ sur le support ⑧.
- 4) Versez la crème dans le bol.
- 5) Fermez le bol ⑥ avec le couvercle ④ : Placez le couvercle sur le bol ⑥ de sorte que les ergots du couvercle ④ s'enclenchent dans les rails du bol ⑥. Ensuite, tournez le couvercle ④ de manière à ce que les ergots glissent vers le bas dans les rails.
- 6) Placez le bloc-moteur ② sur le collet du couvercle ③.
- 7) Poussez le bloc-moteur ② vers le bas, comme le montre la figure B. Le moteur démarre à la vitesse normale.

REMARQUE

- ▶ Pour fouetter la crème et lui donner une consistance ferme, il faut qu'elle soit bien froide (8°C max./température du réfrigérateur).
- ▶ Nous recommandons de fouetter 100 ml de crème pendant env. 30 secondes à la vitesse normale.
- ▶ Nous recommandons de fouetter 200 ml de crème pendant env. 30 à 50 secondes à la vitesse normale.
- ▶ Ces durées peuvent varier en fonction de différents facteurs dont par ex. la teneur en matière grasse de la crème et la température extérieure ! Pendant que vous fouettez la crème, observez sa consistance et adaptez la durée suivant besoin.

Nettoyage et entretien

AVERTISSEMENT ! RISQUE D'ÉLECTROCUTION !

- ▶ Avant de nettoyer l'appareil, toujours retirer la fiche secteur de la prise de courant.
-  Lors du nettoyage, il ne faut en aucun cas plonger l'appareil dans l'eau ou le maintenir sous l'eau du robinet.

AVERTISSEMENT ! RISQUE DE BLESSURES !

- ▶ Risque de blessures pendant le maniement de la lame-hélice ⑦ extrêmement tranchante. Après avoir utilisé et nettoyé l'appareil, remontez-le afin de ne pas vous blesser au contact de la lame-hélice ⑦ à nu. Rangez la lame-hélice ⑦ hors de portée des enfants.

ATTENTION ! RISQUE DE DÉGÂTS MATÉRIELS !

- ▶ Il ne faut jamais passer le bloc-moteur ② au lave-vaisselle, il risquerait d'être abîmé.
- Retirez la fiche mâle de la prise secteur.
- Nettoyez le bloc moteur ②, le porte-lame ⑤ et la lame-hélice ⑦ avec une éponge auparavant bien pressée.
- Nettoyez le bol ⑥, l'accessoire batteur ⑩, le couvercle ④ et l'embase ⑨ à l'eau chaude en ajoutant du liquide vaisselle doux. Rincez ensuite toutes les pièces à l'eau claire et séchez les bien avec un torchon sec.



À titre d'alternative, vous pouvez mettre toutes les pièces – sauf le bloc moteur ② – au lave-vaisselle. Si possible, placez les pièces dans le panier supérieur du lave-vaisselle. Veillez à ce que les pièces ne soient pas coincées.

Dépannage

PROBLÈME	CAUSE POSSIBLE	SOLUTIONS POSSIBLES
L'appareil ne fonctionne pas.	L'appareil n'est pas branché sur une prise secteur.	Branchez l'appareil sur une prise secteur.
	L'appareil est endommagé.	Adressez-vous au service après-vente.
	Un fusible est défectueux dans le logement.	Vérifiez les fusibles du logement et changez-les si nécessaire.
	L'appareil est peut-être défectueux	Adressez-vous au service après-vente.

Si vous ne parvenez pas à remédier aux pannes à l'aide des indications données ci-dessus ou si vous constatez d'autres types de pannes, veuillez vous adresser à notre service après-vente.

Annexe

Mise au rebut de l'appareil



Ne jetez en aucun cas l'appareil avec les ordures ménagères normales. Ce produit est assujéti à la directive européenne 2012/19/EU. Éliminez l'appareil par l'intermédiaire d'une entreprise de traitement des déchets autorisée ou via le service de recyclage de votre commune. Respectez la réglementation en vigueur. En cas de doute, veuillez contacter votre centre de recyclage.



Renseignez-vous auprès de votre commune pour connaître les possibilités de mise au rebut de votre appareil usagé.



Le produit recyclable doit être trié ou rapporté dans un point de collecte pour être recycle.

Garantie pour Kompernass Handels GmbH pour la Belgique

Chère cliente, cher client,

Cet appareil est garanti 3 ans à partir de la date d'achat. Si ce produit venait à présenter des vices, vous disposez de droits légaux face au vendeur de ce produit. Vos droits légaux ne sont pas restreints par notre garantie présentée ci-dessous.

Conditions de garantie

La période de garantie débute à la date d'achat. Veuillez bien conserver le ticket de caisse. Celui-ci servira de preuve d'achat.

Si dans un délai de trois ans suivant la date d'achat de ce produit, un vice de matériel ou de fabrication venait à apparaître, le produit sera réparé, remplacé gratuitement par nos soins ou le prix d'achat remboursé, selon notre choix. Cette prestation sous garantie nécessite, dans le délai de trois ans, la présentation de l'appareil défectueux et du justificatif d'achat (ticket de caisse) ainsi que la description brève du vice et du moment de son apparition.

Si le vice est couvert par notre garantie, vous recevrez le produit réparé ou un nouveau produit en retour. Aucune nouvelle période de garantie ne débute avec la réparation ou l'échange du produit.

Période de garantie et réclamation légale pour vices cachés

L'exercice de la garantie ne prolonge pas la période de garantie. Cette disposition s'applique également aux pièces remplacées ou réparées. Les dommages et vices éventuellement déjà présents à l'achat doivent être signalés immédiatement après le déballage. Toute réparation survenant après la période sous garantie fera l'objet d'une facturation.

Étendue de la garantie

L'appareil a été fabriqué avec soin conformément à des directives de qualité strictes et consciencieusement contrôlé avant sa livraison.

La prestation de la garantie s'applique aux vices de matériel et de fabrication. Cette garantie ne s'étend pas aux pièces du produit qui sont exposées à une usure normale et peuvent de ce fait être considérées comme pièces d'usure, ni aux détériorations de pièces fragiles, par ex. interrupteurs, batteries ou pièces en verre.

Cette garantie devient caduque si le produit est détérioré, utilisé ou entretenu de manière non conforme. Toutes les instructions listées dans le manuel d'utilisation doivent être exactement respectées pour une utilisation conforme du produit. Des buts d'utilisation et actions qui sont déconseillés dans le manuel d'utilisation, ou dont vous êtes avertis doivent également être évités.

Le produit est uniquement destiné à un usage privé et ne convient pas à un usage professionnel. La garantie est annulée en cas d'entretien incorrect et inapproprié, d'usage de la force et en cas d'intervention non réalisée par notre centre de service après-vente agréé.

Procédure en cas de garantie

Afin de garantir un traitement rapide de votre demande, veuillez suivre les indications suivantes :

- Veuillez avoir à portée de main pour toutes questions le ticket de caisse et la référence article (par ex. IAN 123456_7890) en tant que justificatif de votre achat.
- Vous trouverez la référence sur la plaque signalétique sur le produit, une gravure sur le produit, sur la page de garde du mode d'emploi (en bas à gauche) ou sur l'autocollant au dos ou sur le dessous du produit.
- Si des erreurs de fonctionnement ou d'autres vices venaient à apparaître, veuillez d'abord contacter le département service clientèle cité ci-dessous par **téléphone** ou par **e-mail**.
- Vous pouvez ensuite retourner un produit enregistré comme étant défectueux en joignant le ticket de caisse et en indiquant en quoi consiste le vice et quand il est survenu, sans devoir l'affranchir à l'adresse de service après-vente communiquée.



Sur www.lidl-service.com, vous pourrez télécharger ce mode d'emploi et de nombreux autres manuels, vidéos produit et logiciels d'installation.

Grâce à ce code QR, vous arriverez directement sur le site Lidl service après-vente (www.lidl-service.com) et vous pourrez ouvrir votre mode d'emploi en saisissant votre référence (IAN) 352700_2010.

Garantie pour Kompernass Handels GmbH pour la France

Chère cliente, cher client,

Cet appareil est garanti 3 ans à partir de la date d'achat. Si ce produit venait à présenter des vices, vous disposez de droits légaux face au vendeur de ce produit. Vos droits légaux ne sont pas restreints par notre garantie présentée ci-dessous.

Conditions de garantie

La période de garantie débute à la date d'achat. Veuillez bien conserver le ticket de caisse. Celui-ci servira de preuve d'achat.

Si dans un délai de trois ans suivant la date d'achat de ce produit, un vice de matériel ou de fabrication venait à apparaître, le produit sera réparé, remplacé gratuitement par nos soins ou le prix d'achat remboursé, selon notre choix. Cette prestation sous garantie nécessite, dans le délai de trois ans, la présentation de l'appareil défectueux et du justificatif d'achat (ticket de caisse) ainsi que la description brève du vice et du moment de son apparition.

Si le vice est couvert par notre garantie, vous recevrez le produit réparé ou un nouveau produit en retour. Aucune nouvelle période de garantie ne débute avec la réparation ou l'échange du produit.

Période de garantie et réclamation légale pour vices cachés

L'exercice de la garantie ne prolonge pas la période de garantie. Cette disposition s'applique également aux pièces remplacées ou réparées. Les dommages et vices éventuellement déjà présents à l'achat doivent être signalés immédiatement après le déballage. Toute réparation survenant après la période sous garantie fera l'objet d'une facturation.

Étendue de la garantie

L'appareil a été fabriqué avec soin conformément à des directives de qualité strictes et consciencieusement contrôlé avant sa livraison.

La prestation de la garantie s'applique aux vices de matériel et de fabrication. Cette garantie ne s'étend pas aux pièces du produit qui sont exposées à une usure normale et peuvent de ce fait être considérées comme pièces d'usure, ni aux détériorations de pièces fragiles, par ex. interrupteurs, batteries ou pièces en verre.

Cette garantie devient caduque si le produit est détérioré, utilisé ou entretenu de manière non conforme. Toutes les instructions listées dans le manuel d'utilisation doivent être exactement respectées pour une utilisation conforme du produit. Des buts d'utilisation et actions qui sont déconseillés dans le manuel d'utilisation, ou dont vous êtes avertis doivent également être évités.

Le produit est uniquement destiné à un usage privé et ne convient pas à un usage professionnel. La garantie est annulée en cas d'entretien incorrect et inapproprié, d'usage de la force et en cas d'intervention non réalisée par notre centre de service après-vente agréé.

Article L217-16 du Code de la consommation

Lorsque l'acheteur demande au vendeur, pendant le cours de la garantie commerciale qui lui a été consentie lors de l'acquisition ou de la réparation d'un bien meuble, une remise en état couverte par la garantie, toute période d'immobilisation d'au moins sept jours vient s'ajouter à la durée de la garantie qui restait à courir. Cette période court à compter de la demande d'intervention de l'acheteur ou de la mise à disposition pour réparation du bien en cause, si cette mise à disposition est postérieure à la demande d'intervention.

Indépendamment de la garantie commerciale souscrite, le vendeur reste tenu des défauts de conformité du bien et des vices rédhibitoires dans les conditions prévues aux articles L217-4 à L217-13 du Code de la consommation et aux articles 1641 à 1648 et 2232 du Code Civil.

Article L217-4 du Code de la consommation

Le vendeur livre un bien conforme au contrat et répond des défauts de conformité existant lors de la délivrance. Il répond également des défauts de conformité résultant de l'emballage, des instructions de montage ou de l'installation lorsque celle-ci a été mise à sa charge par le contrat ou a été réalisée sous sa responsabilité.

Article L217-5 du Code de la consommation

Le bien est conforme au contrat :

1° S'il est propre à l'usage habituellement attendu d'un bien semblable et, le cas échéant :

- s'il correspond à la description donnée par le vendeur et posséder les qualités que celui-ci a présentées à l'acheteur sous forme d'échantillon ou de modèle ;
- s'il présente les qualités qu'un acheteur peut légitimement attendre eu égard aux déclarations publiques faites par le vendeur, par le producteur ou par son représentant, notamment dans la publicité ou l'étiquetage ;

2° Ou s'il présente les caractéristiques définies d'un commun accord par les parties ou être propre à tout usage spécial recherché par l'acheteur, porté à la connaissance du vendeur et que ce dernier a accepté.

Article L217-12 du Code de la consommation

L'action résultant du défaut de conformité se prescrit par deux ans à compter de la délivrance du bien.

Article 1641 du Code civil

Le vendeur est tenu de la garantie à raison des défauts cachés de la chose vendue qui la rendent impropre à l'usage auquel on la destine, ou qui diminuent tellement cet usage que l'acheteur ne l'aurait pas acquise, ou n'en aurait donné qu'un moindre prix, s'il les avait connus.

Article 1648 1er alinéa du Code civil

L'action résultant des vices rédhibitoires doit être intentée par l'acquéreur dans un délai de deux ans à compter de la découverte du vice.

Les pièces détachées indispensables à l'utilisation du produit sont disponibles pendant la durée de la garantie du produit.

Procédure en cas de garantie

Afin de garantir un traitement rapide de votre demande, veuillez suivre les indications suivantes :

- Veuillez avoir à portée de main pour toutes questions le ticket de caisse et la référence article (par ex. IAN 123456_7890) en tant que justificatif de votre achat.
- Vous trouverez la référence sur la plaque signalétique sur le produit, une gravure sur le produit, sur la page de garde du mode d'emploi (en bas à gauche) ou sur l'autocollant au dos ou sur le dessous du produit.
- Si des erreurs de fonctionnement ou d'autres vices venaient à apparaître, veuillez d'abord contacter le département service clientèle cité ci-dessous par **téléphone** ou par **e-mail**.
- Vous pouvez ensuite retourner un produit enregistré comme étant défectueux en joignant le ticket de caisse et en indiquant en quoi consiste le vice et quand il est survenu, sans devoir l'affranchir à l'adresse de service après-vente communiquée.



Sur www.lidl-service.com, vous pourrez télécharger ce mode d'emploi et de nombreux autres manuels, vidéos produit et logiciels d'installation.

Grâce à ce code QR, vous arriverez directement sur le site Lidl service après-vente (www.lidl-service.com) et vous pourrez ouvrir votre mode d'emploi en saisissant votre référence (IAN) 352700_2010.

Service après-vente

FR

Service France

Tel.: 0800 919270

E-Mail: kompennass@lidl.fr

BE

Service Belgique

Tel.: 070 270 171 (0,15 EUR/Min.)

E-Mail: kompennass@lidl.be

IAN 352700_2010

Importateur

Veillez tenir compte du fait que l'adresse suivante n'est pas une adresse de service après-vente. Veuillez d'abord contacter le service mentionné.

KOMPERNASS HANDELS GMBH

BURGSTRASSE 21

44867 BOCHUM

ALLEMAGNE

www.kompernass.com

Inhoud

Inleiding	48
Gebruik in overeenstemming met bestemming	48
Inhoud van het pakket	48
Uitpakken	48
De verpakking afvoeren	49
Apparaatbeschrijving	49
Technische gegevens	50
Veiligheidsvoorschriften	50
Bedienen	53
Fijnhakken	53
Slagroom kloppen	56
Reiniging en onderhoud	57
Problemen oplossen	58
Bijlage	58
Apparaat afvoeren	58
Garantie van Kompernaß Handels GmbH	59
Service	60
Importeur	60



Lees de gebruiksaanwijzing vóór het eerste gebruik aandachtig door en bewaar deze voor toekomstig gebruik. Geef alle documenten mee als u het product doorgeeft aan een derde.

Inleiding

Gefeliciteerd met de aankoop van uw nieuwe apparaat!

U hebt hiermee gekozen voor een modern en hoogwaardig product. De gebruiksaanwijzing maakt deel uit van dit product. Deze bevat belangrijke aanwijzingen voor veiligheid, gebruik en afvoer. Lees alle bedienings- en veiligheidsaanwijzingen voordat u het product in gebruik neemt. Gebruik het product uitsluitend op de voorgeschreven wijze en voor de aangegeven doeleinden. Geef alle documenten mee als u het product doorgeeft aan een derde.

Gebruik in overeenstemming met bestemming

Dit apparaat dient uitsluitend voor het fijnhakken van levensmiddelen zonder bot in kleine hoeveelheden of voor het kloppen van slagroom. Dit apparaat is uitsluitend bestemd voor gebruik in het privéhuishouden.

Elk ander gebruik geldt als niet in overeenstemming met de bestemming en kan resulteren in materiële schade of zelfs lichamelijk letsel. Er wordt geen aansprakelijkheid aanvaard voor schade die wordt veroorzaakt door gebruik dat niet in overeenstemming is met de bestemming.

Dit apparaat is noch bestemd voor gebruik in bedrijven, noch voor commercieel gebruik.

Inhoud van het pakket

Het apparaat wordt standaard met de volgende componenten geleverd:

- Multihakker
- Meshouder met mes
- Garde-opzetstuk
- Voet
- Gebruiksaanwijzing

Uitpakken

- 1) Haal alle onderdelen van het apparaat en de gebruiksaanwijzing uit de doos.
- 2) Verwijder alle verpakkingsmateriaal van het apparaat.

OPMERKING

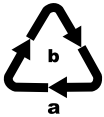
- ▶ Controleer of het pakket compleet is en of er sprake is van zichtbare schade.
- ▶ Neem contact op met de Service-Hotline (zie het hoofdstuk **Service**) als het pakket niet compleet is, of indien er sprake is van schade door gebrekkige verpakking of transport.

De verpakking afvoeren

De verpakking beschermt het apparaat tegen transportschade. De verpakkingsmaterialen zijn niet schadelijk voor het milieu. Ze zijn gekozen op grond van milieuvriendelijkheid en daarom recyclebaar.



Het terugvoeren van de verpakking in de materiaalkringloop betekent een besparing op grondstoffen en zorgt voor minder afval. Voer niet meer benodigde verpakkingsmaterialen af conform de plaatselijk geldende voorschriften.



Voer de verpakking af conform de milieuvoorschriften.

Let op de aanduiding op de verschillende verpakkingsmaterialen en voer ze zo nodig gescheiden af. De verpakkingsmaterialen zijn voorzien van afkortingen (a) en cijfers (b) met de volgende betekenissen:

1-7: kunststoffen,

20-22: papier en karton,

80-98: composietmaterialen.

OPMERKING

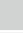
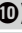




- Bewaar, indien mogelijk, de originele verpakking gedurende de garantieperiode van het apparaat, om het apparaat bij een garantiekwestie volgens de voorschriften te kunnen verpakken.

Apparaatbeschrijving

Afbeelding A:

- 1 Turbo-toets
- 2 Motorblok
- 3 Motorblokketting
- 4 Deksel
- 5 Meshouder
- 6 Kom
- 7 Mes
- 8 Lager
- 9 Voet
- 10 Garde-opzetstuk

Technische gegevens

Netspanning	220 - 240 V ~ (wisselstroom), 50 Hz
Nominaal vermogen	260 W
Beschermingsklasse	II /  (dubbel geïsoleerd)
KB-tijd	1 minuut (met garde-opzetstuk )
Inhoud van kom 	840 ml
Max. vulhoeveelheden:	Vaste levensmiddelen tot aan de 300 ml-markering 
	Vloeistoffen tot aan de 200 ml-markering 
	Alle delen van dit apparaat die in aanraking komen met levensmiddelen, zijn levensmiddelveilig.

KB-TIJD

De KB-tijd (kort bedrijf) geeft aan hoe lang een apparaat kan worden bediend, zonder dat de motor oververhit en beschadigd raakt. Na de aangegeven KB-tijd moet het apparaat zo lang worden uitgeschakeld tot de motor is afgekoeld.

Veiligheidsvoorschriften

GEVAAR VOOR EEN ELEKTRISCHE SCHOK!

- ▶ Sluit het apparaat alleen aan op een volgens de voorschriften geïnstalleerd stopcontact met een netspanning van 220 - 240 V ~, met 50 Hz.
- ▶ Laat beschadigde stekkers of snoeren onmiddellijk vervangen door geautoriseerd vakkundig personeel of door de klantenservice of een vergelijkbaar gekwalificeerde persoon, om risico's te vermijden.
- ▶ Haal bij storing van het apparaat en voordat u het apparaat schoonmaakt de stekker uit het stopcontact.
- ▶ Trek het snoer altijd aan de stekker uit het stopcontact, trek niet aan het snoer zelf.

⚠ GEVAAR VOOR EEN ELEKTRISCHE SCHOK!

- ▶ Knik of plet het snoer niet en leidt het snoer zodanig dat niemand erop kan gaan staan of erover kan struikelen.
- ▶ Stel het apparaat niet bloot aan vocht en gebruik het niet in de openlucht. Mocht er toch een keer vloeistof in de behuizing van het apparaat komen, haal dan direct de stekker van het apparaat uit het stopcontact en laat het apparaat door gekwalificeerd deskundig personeel repareren.
- ▶ Pak het apparaat, het netsnoer en de stekker nooit met natte handen vast.
- ▶ Wanneer het snoer of het motorblok beschadigd is, dient u het apparaat door deskundig personeel te laten repareren voordat u het opnieuw gebruikt. U mag de behuizing van het motorblok niet openen. In dat geval is de veiligheid niet gegarandeerd en vervalt de garantie.
- ▶ Koppel het apparaat meteen na gebruik los van het lichtnet. Alleen wanneer u de stekker uit het stopcontact trekt, is het apparaat helemaal spanningsloos.



Dompel het motorblok in geen geval onder in vloeistoffen en voorkom dat er vloeistoffen in de behuizing van het motorblok komen.

⚠ WAARSCHUWING! LETSELGEVAAR!

- ▶ Schakel het apparaat uit en haal de stekker uit het stopcontact voordat u accessoires of hulpstukken verwisselt die bij gebruik in beweging zijn.
- ▶ Gebruik het apparaat nooit voor andere doeleinden dan in deze gebruiksaanwijzing zijn beschreven.
- ▶ Wees voorzichtig bij het legen van de kom. Het mes is zeer scherp!

⚠ WAARSCHUWING! LETSELGEVAAR!

- ▶ Wees voorzichtig bij het reinigen van het apparaat! Het mes is zeer scherp!
- ▶ Het apparaat moet altijd van het lichtnet worden losgekoppeld als er geen toezicht is, en tevens voor montage, demontage en reiniging.
- ▶ Het apparaat mag niet door kinderen worden gebruikt.
- ▶ Houd het apparaat en het bijbehorende snoer buiten bereik van kinderen.
- ▶ Dit apparaat mag worden gebruikt door personen met beperkte fysieke, zintuiglijke of geestelijke vermogens of gebrek aan ervaring en/of kennis, mits ze onder toezicht staan of over het veilige gebruik van het apparaat zijn geïnstrueerd en de daaruit resulterende gevaren hebben begrepen.
- ▶ Kinderen mogen niet met het apparaat spelen.
- ▶ Houd kinderen in de buurt van het apparaat in de gaten zodat ze er niet mee kunnen gaan spelen.
- ▶ Er bestaat letselgevaar bij de omgang met het extreem scherpe mes. Zet het apparaat na gebruik en reiniging weer in elkaar, zodat u zich niet aan het blootliggende mes kunt verwonden. Zorg dat kinderen niet bij het mes kunnen komen.
- ▶ Haal nooit de levensmiddelen uit de schaal zolang het mes nog draait. Letselgevaar!
- ▶ Wacht tot het mes tot stilstand is gekomen, voordat u het motorblok afneemt.
- ▶ Grijp nooit in het nog draaiende mes! Letselgevaar!

⚠ WAARSCHUWING! BRANDGEVAAR!

- ▶ U mag het apparaat niet langer dan 1 minuut laten werken. Laat het daarna afkoelen.

LET OP! MATERIËLE SCHADE!

- ▶ Neem de tabel voor vulhoeveelheden in het hoofdstuk "Fijnhakken" in acht. Anders kunnen er dingen vuil worden door uit de kom lopende levensmiddelen.
- ▶ U mag het motorblok niet in de vaatwasmachine reinigen, het zou daardoor beschadigd raken.
- ▶ Vul het apparaat niet met hete vloeistoffen! Anders kan het apparaat beschadigd raken!

Bedienen

Fijnhakken

OPMERKING

- ▶ Voorafgaand aan het eerste gebruik moet u het apparaat conform de aanwijzingen in het hoofdstuk "Reiniging en onderhoud" grondig reinigen.

- 1) Plaats de kom **6** op de voet **9**.
- 2) Steek de meshouder **5** met het mes **7** op het lager **8**.
- 3) Prepareer de fijn te hakken levensmiddelen door grote stukken zo ver klein te snijden (ca. 2 cm), dat ze in de kom **6** passen.
- 4) Doe de fijn te hakken levensmiddelen in de kom **6**. Voor optimale resultaten adviseren wij de volgende maximale vulhoeveelheden:

Levensmiddel	Max. vulhoeveelheid	Bewerkingstijd	Snelheid
Uien	100 g	pulserend	turbo
Knoflook	150 g	pulserend	turbo
Tomaten	200 g	10 sec.	normaal
Hazelnoten	200 g	3 x 8 sec.	turbo

Levensmiddel	Max. vulhoeveelheid	Bewerkingstijd	Snelheid
Amandelen	200 g	grof: 1 x 15 sec. middel: 2 x 15 sec. fijn: 3 x 15 sec.	turbo
Kaas (Gouda, jong, koelkast- temperatuur)	150 g	2 x 15 sec.	turbo
Eieren (hardgekookt)	3 stuks (150 g)	2 x 4 sec.	turbo
Vlees	200 g	4 x 12 sec.	turbo
Ijsklontjes	100 g	15 x 1 sec. pulserend	turbo

- 5) Sluit de kom ❹ af met het deksel ❸: plaats het zodanig op de kom ❹, dat de punten van het deksel ❸ in de geleiders op de kom ❹ grijpen. Draai het deksel ❸ dan zo, dat de punten in de geleiders omlaag glijden.
 - 6) Plaats het motorblok ❷ op de motorblokzitting ❸.
 - 7) Druk het motorblok ❷ omlaag (zie afbeelding B). De motor start met de normale snelheid.
- Voor een hogere bewerkingssnelheid "Turbo" drukt u niet alleen op het motorblok ❷ maar ook op de Turbo-toets ❶ en houdt u deze ingedrukt (zie afbeelding C).

OPMERKINGEN

- ▶ Neem het motorblok ❷ van de motorblokzitting ❸ als er tijdens de bewerking grote stukken levensmiddelen tegen de wand van de kom blijven zitten. Schud de kom ❹ krachtig heen en weer en begin weer opnieuw met de bewerking. Verwijder eventuele resten met een spatel.
- ▶ Vooral harde levensmiddelen moeten voor de bewerking in kleinere stukken worden gesneden (ca. 2 cm). Anders kan de motor blokkeren. Kies voor harde levensmiddelen een pulserende bewerking. Druk daartoe meerdere keren kort op de Turbo-toets ❶ (gelijktijdig met drukken op het motorblok ❷). Mochten de levensmiddelen niet volledig worden fijngehakt, dan kunt u ze in kleinere stukken snijden of het motorblok ❷ van de motorblokzitting ❸ nemen. Schud de kom ❹ krachtig heen en weer en begin weer opnieuw met de bewerking.

- 8) Wanneer de levensmiddelen zijn fijngehakt, laat u het motorblok **2** en eventueel de Turbo-toets **1** los.
- 9) Haal de stekker uit het stopcontact.

⚠ WAARSCHUWING! LETSELGEVAAR!

- ▶ Haal de levensmiddelen nooit uit de kom **6** zolang het mes **7** nog draait. Er is letselgevaar en de rondspattende inhoud kan vuil veroorzaken.

- 10) Wacht tot het mes **7** stilstaat.
- 11) Til het motorblok **2** van de motorblokzitting **3**.
- 12) Neem het deksel **4** van de kom.

⚠ WAARSCHUWING! LETSELGEVAAR!

- ▶ Er bestaat letselgevaar bij de omgang met het extreem scherpe mes **7**. Zorg dat kinderen niet bij het mes **7** kunnen komen.

- 13) Trek de meshouder **5** met het mes **7** voorzichtig uit de kom **6**.
- 14) Verwijder de levensmiddelen.

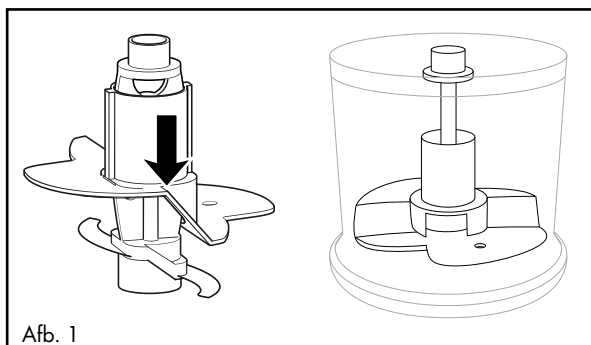
OPMERKINGEN

- ▶ Door het fijnhakken van hardere, schurende levensmiddelen kan de kom **6** er in de loop der tijd troebel uit gaan zien. Dit is normaal en beïnvloedt de werking van het apparaat niet.
- ▶ U kunt de voet **9**, nadat u de bewerking van de levensmiddelen hebt afgesloten, als deksel voor de kom **6** gebruiken, om de levensmiddelen langer vers te houden.
 - Neem het motorblok **2** en het deksel **4** van de kom **6**.
 - De meshouder **5** met het mes **7** kan desgewenst in de kom **6** blijven.
 - Maak de voet **9** los van de onderkant van de kom **6**. Draai de voet **9** om. U kunt de voet **9** nu op de kom **6** plaatsen, zodat deze de kom **6** afsluit.

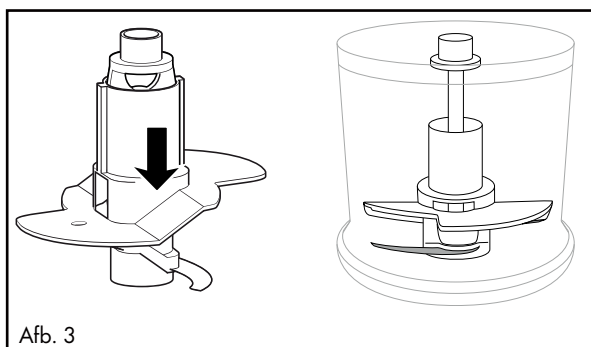
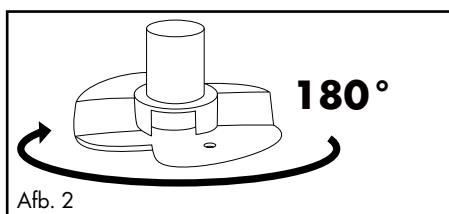
Slagroom kloppen

Met het garde-opzetstuk **10** kunt u met dit apparaat ook slagroom kloppen:

- 1) Plaats de kom **6** op de voet **9**.
- 2) Schuif het garde-opzetstuk **10** op de meshouder **5**:
 - Voor 100 ml slagroom steekt u deze zodanig op de meshouder **5**, dat het garde-opzetstuk **10** op beide messen **7** rust en vastklikt (afb. 1):



- Voor 200 ml slagroom draait u het garde-opzetstuk **10** horizontaal 180° (afb. 2), zodat het op slechts één mes **7** rust en vastklikt (afb. 3). Het ploegt dan hoger door de slagroom:



- 3) Steek de meshouder **5** met het garde-opzetstuk **10** op het lager **8**.
- 4) Doe de room in de kom.
- 5) Sluit de kom **6** af met het deksel **4**: plaats het zodanig op de kom **6**, dat de punten van het deksel **4** in de geleiders op de kom **6** grijpen. Draai het deksel **4** dan zo, dat de punten in de geleiders omlaag glijden.
- 6) Plaats het motorblok **2** op de motorblokzitting **3**.
- 7) Druk het motorblok **2** omlaag (zie afbeelding B). De motor start met de normale snelheid.

OPMERKING

- ▶ Om slagroom te kloppen, moet die voor het stijf kloppen goed gekoeld zijn (max. 8 °C/koelkasttemperatuur).
- ▶ Wij adviseren bij 100 ml room een kloptijd van ca. 30 seconden bij normale snelheid.
- ▶ Bij 200 ml room adviseren wij een kloptijd van ca. 30 - 50 seconden bij normale snelheid.
- ▶ Afhankelijk van verschillende invloeden, bijv. het vetgehalte van de room of de buitentemperatuur, kan de kloptijd echter variëren! Houd de room tijdens het kloppen in de gaten en pas de kloptijd aan uw wensen aan.

Reiniging en onderhoud

WAARSCHUWING! GEVAAR VOOR EEN ELEKTRISCHE SCHOK!

- ▶ Haal altijd eerst de stekker uit het stopcontact voordat u het apparaat reinigt.



Dompel het apparaat bij het schoonmaken in geen geval onder in water en houd het niet onder stromend water.

WAARSCHUWING! LETSELGEVAAR!

- ▶ Er bestaat letselgevaar bij de omgang met het extreem scherpe mes **7**. Zet het apparaat na gebruik en reiniging weer in elkaar, zodat u zich niet aan het blootliggende mes **7** kunt verwonden. Zorg dat kinderen niet bij het mes **7** kunnen komen.

LET OP! MATERIËLE SCHADE!

- ▶ U mag het motorblok **2** niet in de vaatwasmachine reinigen, het zou daardoor beschadigd raken.

- Haal de stekker uit het stopcontact.

- Reinig het motorblok ② en de meshouder ⑤ met het mes ⑦ met een goed uitgeknepen schuurspoon.
- Reinig de kom ⑥, het garde-opzetstuk ⑩, het deksel ④ en de voet ⑨ in warm water waaraan u wat mild afwasmiddel toevoegt. Spoel daarna alle delen af met schoon water en droog ze met een droge keukendoek af.



Alle onderdelen, behalve het motorblok ②, kunnen ook in de vaatwasser worden gereinigd. Leg de onderdelen daarbij indien mogelijk in het bovenste rek van de vaatwasser. Zorg ervoor dat de onderdelen niet beklemd raken.

Problemen oplossen

PROBLEEM	MOGELIJKE OORZAAK	MOGELIJKE OPLOSSINGEN
Het apparaat werkt niet.	Het apparaat is niet verbonden met een stopcontact.	Sluit het apparaat aan op een stopcontact.
	Het apparaat is beschadigd.	Neem contact op met de klantenservice.
	Een zekering in de meterkast is defect.	Controleer de zekeringen in de meterkast en vervang ze zo nodig.
	Het apparaat is mogelijk defect.	Neem contact op met de klantenservice.

Neem contact op met de klantenservice, als de storingen met de bovenstaande aanwijzingen niet verholpen kunnen worden, of indien u andere storingen constateert.

Bijlage

Apparaat afvoeren



Deponeer het apparaat in geen geval bij het gewone huisvuil. Dit product voldoet aan de Europese richtlijn 2012/19/EU.

Voer het apparaat af via een erkend afvalverwerkingsbedrijf of via uw gemeentelijke afvalverwerking. Neem de momenteel geldende voorschriften in acht. Neem bij twijfel contact op met de verantwoordelijke instantie.



Mogelijkheden voor het afvoeren van het afgedankte product vindt u bij uw gemeente.



Het product is recycleerbaar; er is een uitgebreide producentenverantwoordelijkheid op van toepassing en het afval wordt gescheiden ingezameld.

Garantie van Kompernaß Handels GmbH

Geachte klant,

U hebt op dit apparaat 3 jaar garantie vanaf de aankoopdatum. In geval van gebreken in dit product hebt u wettelijke rechten tegenover de verkoper van het product. Deze wettelijke rechten worden door onze hierna beschreven garantie niet beperkt.

Garantievoorwaarden

De garantieperiode geldt vanaf de datum van aankoop. Bewaar de kassabon zorgvuldig. U hebt hem nodig als bewijs van aankoop.

Als er binnen drie jaar vanaf de aankoopdatum van dit product een materiaal- of fabricagefout optreedt, wordt - naar onze keuze - het product door ons kosteloos gerepareerd of vervangen of wordt de koopprijs terugbetaald. Voorwaarde voor deze garantie is dat het defecte apparaat en het aankoopbewijs (kassabon) binnen de termijn van drie jaar worden overlegd en dat kort wordt omschreven waaruit het gebrek bestaat en wanneer het is opgetreden.

Wanneer het defect door onze garantie wordt gedekt, krijgt u het gerepareerde product of een nieuw product retour. Met de reparatie of vervanging van het product begint er geen nieuwe garantieperiode.

Garantieperiode en wettelijke aanspraken bij gebreken

De garantieperiode wordt door deze waarborg niet verlengd. Dat geldt ook voor vervangen en gerepareerde onderdelen. Eventueel al bij aankoop aanwezige schade en gebreken moeten meteen na het uitpakken worden gemeld. Voor reparaties na afloop van de garantieperiode worden kosten in rekening gebracht.

Garantieomvang

Het apparaat is op basis van strenge kwaliteitsnormen met de grootst mogelijke zorg vervaardigd en voorafgaand aan de levering nauwkeurig gecontroleerd.

De garantie geldt voor materiaal- of fabricagefouten. Deze garantie geldt niet voor productonderdelen die onderhevig zijn aan normale slijtage en die daarom als slijtonderdelen worden beschouwd, of voor schade aan breekbare onderdelen zoals schakelaars, accu's of onderdelen die van glas zijn gemaakt.

Deze garantie vervalt wanneer het product is beschadigd, ondeskundig is gebruikt of is gerepareerd. Voor deskundig gebruik van het product moeten alle in de gebruiksaanwijzing beschreven aanwijzingen precies worden opgevolgd. Gebruiksdoeleinden en handelingen die in de gebruiksaanwijzing worden afgeraden of waarvoor wordt gewaarschuwd, moeten beslist worden vermeden.

Het product is uitsluitend bestemd voor privégebruik en niet voor bedrijfsmatige doeleinden. Bij verkeerd gebruik en ondeskundige behandeling, bij gebruik van geweld en bij reparaties die niet door ons erkend servicefiliaal zijn uitgevoerd, vervalt de garantie.

Afhandeling bij een garantiekwestie

Voor een snelle afhandeling van uw aanvraag neemt u de volgende aanwijzingen in acht:

- Houd voor alle aanvragen de kassabon en het artikelnummer (bijv. IAN 1 23456_7890) als aankoopbewijs bij de hand.
- Het artikelnummer vindt u op het typeplaatje van het product, op het product gegraveerd, op de titelpagina van de gebruiksaanwijzing (linksonder) of op de sticker op de achter- of onderkant van het product.
- Als er fouten in de werking of andere gebreken optreden, neemt u eerst contact op met de hierna genoemde serviceafdeling, **telefonisch** of **via e-mail**.
- Een als defect geregistreerd product kunt u dan zonder portokosten naar het aan u doorgegeven serviceadres sturen. Voeg het aankoopbewijs (kassabon) bij en vermeld waaruit het gebrek bestaat en wanneer het is opgetreden.



Op www.lidl-service.com kunt u deze en vele andere handleidingen, product-video's en installatiesoftware downloaden.

Met deze QR-code gaat u direct naar de website van Lidl Service (www.lidl-service.com) en kunt u met het invoeren van het artikelnummer (IAN) 352700_2010 de gebruiksaanwijzing openen.

Service

NL **Service Nederland**
Tel.: 0900 0400223 (0,10 EUR/Min.)
E-Mail: kompernass@lidl.nl

BE **Service België**
Tel.: 070 270 171 (0,15 EUR/Min.)
E-Mail: kompernass@lidl.be

IAN 352700_2010

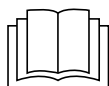
Importeur

Let op: het volgende adres is geen serviceadres. Neem eerst contact op met het opgegeven serviceadres.

KOMPERNASS HANDELS GMBH
BURGSTRASSE 21
44867 BOCHUM
DUITSLAND
www.kompernass.com

Obsah

Úvod	62
Použití v souladu s určením	62
Rozsah dodávky	62
Vybalení	62
Likvidace obalu	63
Popis přístroje	63
Technické údaje	64
Bezpečnostní pokyny	64
Obsluha	67
Rozměňování	67
Šlehání šlehačky	70
Čištění a údržba	71
Odstranění závad	72
Příloha	72
Likvidace přístroje	72
Záruka společnosti Kompernass Handels GmbH	73
Servis	74
Dovozce	74



Před prvním použitím si pozorně přečtete návod k obsluze a uschovejte jej pro pozdější potřebu. V případě předání přístroje třetí osobě předejte také tento návod.

Úvod

Gratulujeme Vám k zakoupení nového přístroje!

Svým nákupem jste se rozhodli pro moderní a kvalitní výrobek. Návod k obsluze je součástí tohoto výrobku. Obsahuje důležité informace o bezpečnosti, použití a likvidaci. Před použitím výrobku se prosím dobře seznamte se všemi provozními a bezpečnostními pokyny. Tento výrobek používejte pouze předepsaným způsobem a pro uvedené oblasti použití. Při předávání výrobku třetím osobám předejte spolu s ním i tyto podklady.

Použití v souladu s určením

Tento přístroj slouží výlučně k rozmělnování vykostěných potravin v malých množstvích nebo ke šlehání šlehačky. Tento přístroj je určen výlučně pro použití v soukromé domácnosti.

Jakékoli jiné použití neodpovídá určenému účelu a může vést ke vzniku hmotných škod, nebo dokonce ke škodám na zdraví osob. Za škody vzniklé použitím k jinému účelu nebo vzniklé nesprávnou obsluhou se nepřebírá ručení.

Tento přístroj není určen pro provoz ve firmách, resp. pro komerční použití.

Rozsah dodávky

Přístroj se standardně dodává s následujícími komponentami:

- univerzální drtič
- držák nože s nožem
- šlehací nástavec
- stojan
- návod k obsluze

Vybalení

- 1) Vyjměte všechny části přístroje a návod k obsluze z krabice.
- 2) Odstraňte z přístroje všechny obalový materiál.

UPOZORNĚNÍ

- ▶ Zkontrolujte kompletnost dodávky a zda není viditelně poškozená.
- ▶ V případě neúplné dodávky nebo poškození vzniklého v důsledku vadného obalu nebo během přepravy kontaktujte servisní poradenskou linku (viz kapitola **Servis**).

Likvidace obalu

Obal chrání přístroj před poškozením při přepravě. Zvolený obalový materiál odpovídá hlediskům ochrany životního prostředí a likvidace a je tudíž recyklovatelný.



Navrácení obalu do oběhu zpracování materiálu šetří suroviny a snižuje produkci odpadů. Již nepotřebný obalový materiál zlikvidujte podle místních platných předpisů.



Balení zlikvidujte ekologicky.

Dbejte na označení na různých obalových materiálech a v případě potřeby je rozřídte odděleně. Obalové materiály jsou označeny zkratkami (a) a číslicemi (b) s následujícím významem:

1-7: Plasty,

20-22: Papír a lepenka,

80-98: Kompozitní materiály.

UPOZORNĚNÍ

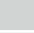





- ▶ Pokud možno, uschovejte originální obal během záruční doby přístroje, aby bylo možné v případě uplatnění záruky přístroj řádně zabalit.

Popis přístroje

Obrázek A:

- 1 tlačítko Turbo
- 2 motorový blok
- 3 vazba víka
- 4 víko
- 5 držák nože
- 6 mísa
- 7 nůž
- 8 ložisko
- 9 stojan
- 10 šlehací nástavec

Technické údaje

Síťové napětí	220 - 240 V ~ (střídavý proud), 50 Hz
Jmenovitý výkon	260 W
Třída ochrany	II /  (dvojitá izolace)
Doba nepřetržitého provozu	1 minuta (s šlehací nástavec )
Kapacita mísy 	840 ml
Max. množství naplnění	potraviny až po značku 300 ml  tekutiny až po značku 200 ml 
	Všechny části tohoto přístroje přicházející do styku s potravinami jsou bezpečné pro potraviny.

DOBA NEPŘETRŽITÉHO PROVOZU

Doba nepřetržitého provozu udává, jak dlouho je možné přístroj provozovat, aniž by se přehřál a tím se poškodil motor. Po uvedené době nepřetržitého provozu se musí přístroj vypnout, dokud se motor neochladí.

Bezpečnostní pokyny

NEBEZPEČÍ ÚRAZU ELEKTRICKÝM PROUDEM

- ▶ Přístroj zapojte pouze do síťové zásuvky instalované dle předpisů, se síťovým napětím 220 - 240 V ~, 50 Hz.
- ▶ Poškozenou síťovou zástrčku nebo síťový kabel nechte okamžitě vyměnit autorizovaným odborným personálem nebo zákaznickým servisem nebo podobně kvalifikovanou osobou, aby se tak zabránilo nebezpečí.
- ▶ V případě provozních poruch a před čištěním přístroje vytahujte zástrčku ze síťové zásuvky.
- ▶ Síťový kabel vytahujte ze zásuvky vždy za zástrčku, nikdy ne za samotný kabel.

⚠ NEBEZPEČÍ ÚRAZU ELEKTRICKÝM PROUDEM

- ▶ Síťový kabel neohýbejte ani nestlačujte a položte jej tak, aby na něj nikdo nemohl stoupnout ani o něj zakopnout.
- ▶ Příklad: Přístroj nevystavujte vlhkosti ani jej nepoužívejte venku. Pokud přesto do pláště přístroje vnikne kapalina, vytáhněte ihned zástrčku přístroje ze síťové zásuvky a nechte přístroj opravit kvalifikovaným odborným personálem.
- ▶ Příklad: Přístroje, síťového kabelu ani zástrčky se nikdy nedotýkejte vlhkýma rukama.
- ▶ Pokud jsou síťový kabel nebo motorový blok poškozeny, musí se přístroj nechat opravit kvalifikovaným personálem, než jej opět použijete. Skříň motorového bloku nesmíte otvírat. V takovém případě není zaručena bezpečnost a zaniká záruka.
- ▶ Ihned po použití odpojte přístroj od elektrické sítě. Pouze tehdy, je-li síťová zástrčka vytažena ze síťové zásuvky, je přístroj plně odpojen od proudu.



Motorový blok nesmíte v žádném případě namáčet do tekutin a také se nesmí dostat žádné kapaliny do krytu motorového bloku.

⚠ VÝSTRAHA! NEBEZPEČÍ ZRANĚNÍ!

- ▶ Před výměnou příslušenství nebo dílů příslušenství, které se během provozu pohybují, musí být přístroj vypnutý a odpojený od elektrické sítě.
- ▶ Nepoužívejte přístroj nikdy pro jiné účely, než je popsáno v tomto návodu.
- ▶ Buďte opatrní při vyprazdňování mísy! Nůž je velmi ostrý!

⚠ VÝSTRAHA! NEBEZPEČÍ ZRANĚNÍ!

- ▶ Buďte opatrní při čištění přístroje! Nůž je velmi ostrý!
- ▶ Přístroj bez dohledu a před složením, rozebráním nebo čištěním se musí vždy odpojit od sítě.
- ▶ Přístroj nesmí používat děti.
- ▶ Přístroj a jeho přívodní kabel je nutné uchovávat mimo dosah dětí.
- ▶ Osoby s omezenými fyzickými, smyslovými nebo mentálními schopnostmi či nedostatkem zkušeností a/nebo znalostí mohou používat tento přístroj pouze tehdy, pokud jsou pod dohledem, nebo pokud byly poučeny o bezpečném používání přístroje a porozuměly z toho vyplývajícím nebezpečím.
- ▶ Děti si nesmí s přístrojem hrát.
- ▶ Děti musí být pod dohledem, a to pro jistotu, aby si se zařízením nehrály.
- ▶ Při manipulaci s mimořádně ostrým nožem hrozí nebezpečí poranění. Po použití a vyčištění přístroj opět sestavte, aby nedošlo k poranění o volně ležící nůž. Nůž uložte mimo dosah dětí.
- ▶ Nikdy nevybírejte potraviny z mísy, dokud se nůž ještě otáčí. Nebezpečí zranění!
- ▶ Než sejmete motorový blok počkejte, než se nůž zastaví.
- ▶ Nezasahujte nikdy do ještě rotujícího nože! Nebezpečí zranění!

⚠ VÝSTRAHA! NEBEZPEČÍ POŽÁRU!

- ▶ Přístroj nesmíte nechat běžet déle než 1 minutu. Poté jej nechte vychladnout.

POZOR! POŠKOZENÍ PŘÍSTROJE!

- ▶ Dodržujte množství naplnění uvedená v tabulce v kapitole „Rozměňování“. V opačném případě hrozí nebezpečí znečištění přetékajícími naplněnými potravinami.
- ▶ Motorový blok nesmíte umývat v myčce na nádobí, tím by se poškodil.
- ▶ Neplňte přístroj horkými tekutinami! V opačném případě může dojít k poškození přístroje.

Obsluha

Rozměňování

UPOZORNĚNÍ

- ▶ Před prvním použitím musíte přístroj důkladně očistit podle instrukcí v kapitole Čištění.

- 1) Nasaďte mísu **6** do stojanu **9**.
- 2) Nasuňte držák nože **5** s nožem **7** na ložisko **8**.
- 3) Připravte potraviny, určené k naplnění tak, že je nakrájíte na takové velké kusy (cca 2 cm), aby se vešly do mísy **6**.
- 4) Potraviny určené k naplnění dejte do mísy **6**. Pro optimální výsledky doporučujeme následující maximální množství naplnění:

Potraviny	Max. množství naplnění	Doba zpracování	Rychlost
cibule	100 g	pulzující	turbo
česnek	150 g	pulzující	turbo
rajčata	200 g	10 s	normální
lískové oříšky	200 g	3 x 8 s	turbo
mandle	200 g	nahrubo: 1 x 15 s středně: 2 x 15 s nejemno: 3 x 15 s	turbo
sýr (gouda, čerstvý, teplota chladničky)	150 g	2 x 15 s	turbo

Potraviny	Max. množství naplnění	Doba zpracování	Rychlost
vejce (uvařená natvrdo)	3 kusy (150 g)	2 x 4 s	turbo
maso	200 g	4 x 12 s	turbo
kostky ledu	100 g	15 x 1 s pulzující	turbo

- 5) Mísu **6** uzavřete víkem **4**: Nasadte jej na mísu **6** tak, aby jazýčky na víku **4** zaskočily do žlábků na míse **6**. Potom otočte víko **4** tak, aby jazýčky zapadly dolů do žlábků.
 - 6) Nasadte motorový blok **2** na okraj víka **3**.
 - 7) Zatlačte motorový blok **2** dolů tak, jak je zobrazeno na obrázku B. Motor se spustí s normální rychlostí zpracování.
- Pro vyšší rychlost „Turbo“ při zpracování naplněných potravin stiskněte dodatečně k motorovému bloku **2** tlačítko Turbo **1** a podržte jej stisknuté tak, jak je zobrazeno na obrázku C.

UPOZORNĚNÍ

- ▶ Pokud se během zpracování na stěně mísy nahromadí větší kusy naplněných potravin, sejměte motorový blok **2** z okraje víka **3**. Silně mísou **6** zatřepejte a poté začněte se zpracováním od začátku. Případné zbytky odstraňte škrabkou na těsto.
- ▶ Především tvrdé potraviny se před zpracováním musí nakrájet na malé kousky (cca 2 cm). V opačném případě může dojít k zablokování motoru. V případě tvrdých potravin zvolte pulzující zpracování. K tomu účelu stiskněte několikrát na krátkou dobu tlačítko Turbo **1** (dodatečně k motorovému bloku **2**). Pokud se naplněné potraviny nerozemelou úplně, můžete je buď nakrájet na malé kousky nebo motorový blok **2** sejmout z okraje víka **3**. Silně mísou **6** zatřepejte a poté začněte se zpracováním od začátku.

- 8) Když se naplněné potraviny rozešlely, pusťte motorový blok **2** a případně tlačítko Turbo **1**.
- 9) Vytáhněte sířovou zástrčku ze zásuvky.

⚠ VÝSTRAHA! NEBEZPEČÍ ÚRAZU!

- ▶ Nikdy nevybírejte potraviny z mísy **6**, dokud se nůž **7** ještě otáčí. Hrozí nebezpečí zranění a vystřikující obsah by mohl způsobit znečištění.

- 10) Vyčkejte, než se nůž **7** zastaví.
- 11) Nadzvedněte motorový blok **2** z okraje víka **3**.
- 12) Sejměte víko **4**.

⚠ VÝSTRAHA! NEBEZPEČÍ ÚRAZU!

- ▶ Při manipulaci s mimořádně ostrým nožem **7** hrozí nebezpečí poranění. Nůž **7** uložte mimo dosah dětí.

- 13) Vytáhněte držák nože **5** s nožem **7** opatrně z mísy **6**.
- 14) Vyjměte naplněné potraviny.

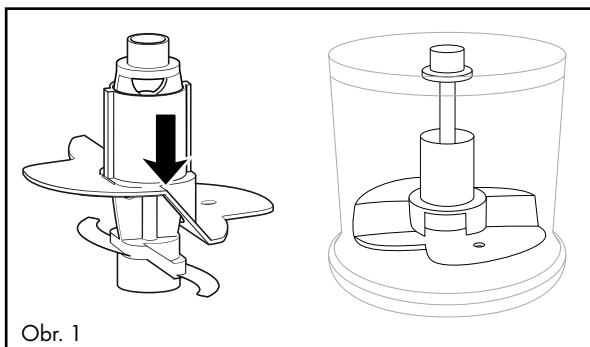
UPOZORNĚNÍ

- ▶ Rozmělňováním tvrdších, abrazivních potravin se může mísa **6** časem zakalit. To je normální a neovlivní se tím funkce přístroje.
- ▶ Poté, co jste ukončili zpracování potravin, můžete stojan **9** použít jako víko na mísu **6**, aby se potraviny udržely čerstvé po delší dobu.
 - Sejměte motorový blok **2** a víko **4** z mísy **6**.
 - Pokud si to přejete, může držák nože **5** s nožem **7** zůstat v míse **6**.
 - Povolte stojan **9** ze spodní strany mísy **6**. Otočte stojan **9**. Nyní můžete stojan **9** nasadit na mísu **6** tak, aby mísu **6** uzavřel.

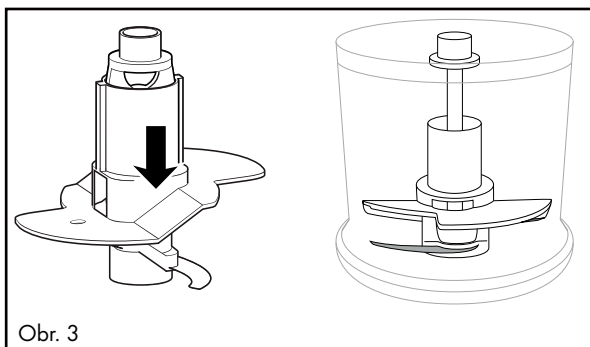
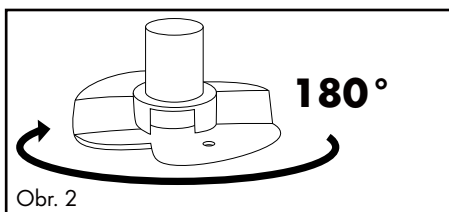
Šlehání šlehačky

Se šlehacím nástavcem 10 můžete tímto přístrojem vyšlehat i šlehačku:

- 1) Nasadíte mísu 6 do stojanu 9.
- 2) Nasuňte šlehací nástavec 10 na držák nože 5:
 - Na 100 ml šlehačky jej na držák nože 5 nastrčte tak, aby šlehací nástavec 10 doléhal na oba nože 7 a aby zaskočil (obr. 1):



- Na 200 ml šlehačky otočte šlehací nástavec 10 horizontálně o 180° (obr. 2) tak, aby tento doléhal pouze na nůž 7 a aby zaskočil (obr. 3). Šlehačkou pak proplouvá ve vyšší výšce:



- 3) Nastrčte držák nože ⑤ se šlehačím nástavcem ⑩ na ložisko ⑧.
- 4) Nalijte šlehačku.
- 5) Mísu ⑥ uzavřete víkem ④: Nasaďte jej na mísu ⑥ tak, aby jazýčky na víku ④ zaskočily do žlábků na míse ⑥. Potom otočte víko ④ tak, aby jazýčky zapadly dolů do žlábků.
- 6) Nasaďte motorový blok ② na okraj víka ③.
- 7) Zatlačte motorový blok ② dolů tak, jak je zobrazeno na obrázku B. Motor se spustí s normální rychlostí zpracování.

UPOZORNĚNÍ

- ▶ Na šlehání šlehačky by měla být před vyšleháním do tuha dobře chlazená (max. 8 °C/teplota chladničky).
- ▶ Při 100 ml šlehačky doporučujeme dobu šlehání cca 30 sekund, při normální rychlosti.
- ▶ Při 200 ml šlehačky doporučujeme dobu šlehání cca 30 – 50 sekund, při normální rychlosti.
- ▶ Z důvodu různých vlivů, jako je např. obsah tuku v šlehačce nebo venkovní teplota, se doba šlehání může měnit! Během šlehání do tuha sledujte šlehačku a přizpůsobte dobu šlehání svým požadavkům.

Čištění a údržba

VÝSTRAHA! NEBEZPEČÍ ÚRAZU ELEKTRICKÝM PROUDEM!

- ▶ Než začnete přístroj čistit, vytáhněte vždy síťovou zástrčku ze sítě.



- ▶ Při čištění v žádném případě nesmíte přístroj ponořit do vody ani jej držet pod tekoucí vodou.

VÝSTRAHA! NEBEZPEČÍ ÚRAZU!

- ▶ Při manipulaci s mimořádně ostrým nožem ⑦ hrozí nebezpečí poranění. Po použití a vyčištění přístroj opět sestavte, aby nedošlo k poranění o volně ležící nůž ⑦. Nůž ⑦ uložte mimo dosah dětí.

POZOR! HMOTNÉ ŠKODY!

- ▶ Motorový blok ② nesmíte umývat v myčce na nádobí, tento by se tím poškodil.
- Vytáhněte síťovou zástrčku ze zásuvky.
 - Očistěte motorový blok ② a držák nože ⑤ s nožem ⑦ dobře vyždímanou houbou.

- Umyjte mísu ⑥, šlehací nástavec ⑩, víko ④ a stojan ⑨ v teplé vodě a přidejte jemný mycí prostředek. Dobře opláchněte všechny části čistou vodou a osušte je utěrkou.



Alternativně můžete všechny díly, kromě motorového bloku ②, umýt v myčce na nádobí. Při tom uložte díly pokud možno do horního koše myčky na nádobí. Dbejte na to, aby díly nebyly zaklíněny.

Odstranění závad

PROBLÉM	MOŽNÁ PŘÍČINA	MOŽNÁ ŘEŠENÍ
Přístroj nefunguje.	Zástrčka přístroje není zastrčená do síťové zásuvky.	Zapojte přístroj do zásuvky.
	Přístroj je poškozený.	Obraťte se na servis.
	Domácí pojistka je vadná.	Zkontrolujte domácí pojistky a případně je vyměňte.
	Přístroj je zřejmě vadný.	Obraťte se na servis.

Pokud nemůžete odstranit poruchy výše popsáním způsobem nebo pokud zjistíte jakoukoli jinou závadu, obraťte se na náš servis.

Příloha

Likvidace přístroje



V žádném případě nevyhazujte přístroj do normálního domovního odpadu. Tento výrobek podléhá evropské směrnici č. 2012/19/EU.

Zlikvidujte přístroj prostřednictvím schváleného likvidačního podniku nebo Vašeho komunálního sběrného dvora. Dodržujte aktuálně platné předpisy. V případě pochybností se informujte ve sběrném dvoře.



Informace o možnostech likvidace vysloužilého výrobku Vám podá správa Vašeho obecního nebo městského úřadu.



Výrobek je recyklovatelný, podléhá rozšířené odpovědnosti výrobce a je shromažďován odděleně.

Záruka společnosti Kompennass Handels GmbH

Vážená zákaznice, vážený zákazníku,

na tento přístroj získáváte záruku v trvání 3 let od data zakoupení. V případě závad tohoto výrobku máte zákonná práva vůči prodejci výrobku. Tato zákonná práva nejsou omezena naší níže uvedenou zárukou.

Záruční podmínky

Záruční doba začíná plynout dnem nákupu. Dobře uschovejte pokladní doklad. Tento doklad je potřebný jako důkaz o koupi.

Pokud se do tří let od data zakoupení tohoto výrobku vyskytne vada materiálu nebo výrobní závada, pak Vám podle našeho uvážení výrobek zdarma opravíme, vyměníme nebo uhradíme kupní cenu. Předpokladem této záruky je, že bude během tříleté lhůty předložen vadný přístroj a doklad o koupi (pokladní doklad) a stručně se popíše, v čem závada spočívá a kdy se vyskytla.

Vztahuje-li se na závadu naše záruka, obdržíte zpět buď opravený nebo nový produkt. Opravou nebo výměnou výrobku nezačne plynout nová záruční doba.

Záruční doba a zákonné nároky vyplývající ze závad

Záručním plněním se záruční doba neprodlužuje. To platí i pro vyměněné a opravené součásti. Poškození nebo vady vyskytující se případně již při nákupu se musí oznámit ihned po vybalení. Po uplynutí záruční doby podléhají veškeré opravy zpopltnění.

Rozsah záruky

Přístroj byl vyroben pečlivě podle přísných směrnic kvality a před expedicí byl svědomitě vyzkoušen.

Záruka se vztahuje na materiálové nebo výrobní vady. Tato záruka se nevztahuje na součásti výrobku, které jsou vystaveny běžnému opotřebení, a proto lze považovat za spotřební díly, nebo na poškození křehkých součástí, jako jsou např. spínače, akumulátory nebo díly, které jsou vyrobeny ze skla.

Tato záruka zaniká, pokud je výrobek poškozen, nebyl řádně používán nebo udržován. Pro zajištění správného používání výrobku se musí přesně dodržovat všechny pokyny uvedené v návodu k obsluze. Účelům použití a úkonům, které se v návodu k obsluze nedoporučují nebo se před nimi varuje, je třeba se bezpodmínečně vyhnout.

Výrobek je určen pouze pro soukromé účely a ne pro komerční použití. Při nesprávném a neodborném používání, při použití násilí a při zásazích, které nebyly provedeny našimi autorizovanými servisními provozovny, záruční nároky zanikají.

Vyřízení v případě záruky

Pro zajištění rychlého Vaší žádosti postupujte podle následujících pokynů:

- Pro všechny dotazy mějte připraven pokladní lístek a číslo výrobku (např. IAN 123456_7890) jako doklad o koupi.
- Číslo výrobku naleznete na typovém štítku na výrobku, rytině na výrobku, na titulní straně návodu k obsluze (vlevo dole) nebo na nálepce na zadní nebo spodní straně výrobku.
- Pokud by se měly vyskytovat funkční vady nebo jiné závady, kontaktujte nejprve níže uvedené servisní oddělení **telefonicky** nebo **e-mailem**.
- Výrobek, zaevidovaný jako vadný výrobek pak můžete při přiložení dokladu o nákupu (pokladní lístek) a při uvedení, v čem spočívá vada a kdy k ní došlo, poslat výrobek pro Vás bez poštovného na adresu, kterou Vám oznámí servis.



Na webových stránkách www.lidl-service.com si můžete stáhnout tyto a mnoho dalších příruček, videí o výrobku a instalační software.

Pomocí kódu QR se dostanete přímo na stránku servisu Lidl (www.lidl-service.com) a můžete pomocí zadání čísla výrobku (IAN) 352700_2010 otevřít svůj návod k obsluze.

Servis



Servis Česko

Tel.: 800143873

E-Mail: kompernass@lidl.cz

IAN 352700_2010

Dovozce

Dbejte prosím na to, že následující adresa není adresou servisu. Kontaktujte nejprve uvedený servis.

KOMPERNASS HANDELS GMBH

BURGSTRASSE 21

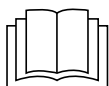
44867 BOCHUM

NĚMECKO

www.kompernass.com

Spis treści

Wstęp	76
Użytkowanie zgodne z przeznaczeniem	76
Zakres dostawy	76
Rozpakowanie	76
Utylizacja opakowania	77
Opis urządzenia	77
Dane techniczne	78
Wskazówki bezpieczeństwa	78
Obsługa	81
Rozdrabnianie	81
Ubijanie śmietany	84
Czyszczenie i pielęgnacja	85
Usuwanie usterek	86
Załącznik	86
Utylizacja urządzenia	86
Gwarancja Kompernaß Handels GmbH	87
Serwis	88
Importer	88



Przed pierwszym użyciem starannie zapoznaj się z instrukcją obsługi i zachowaj ją w celu późniejszego wykorzystania. W przypadku przekazania urządzenia osobom trzecim należy przekazać im także instrukcję.

Wstęp

Gratulujemy zakupu nowego urządzenia!

Jest to nowoczesny i wartościowy produkt. Instrukcja obsługi jest częścią składową produktu. Zawiera ona ważne informacje na temat bezpieczeństwa, użytkowania i utylizacji. Przed rozpoczęciem użytkowania produktu należy zapoznać się ze wszystkimi wskazówkami dotyczącymi obsługi i bezpieczeństwa. Produkt należy użytkować wyłącznie zgodnie z zamieszczonym tu opisem oraz w podanym zakresie zastosowań. W przypadku przekazania urządzenia osobie trzeciej należy dołączyć do niego również całą dokumentację.

Użytkowanie zgodne z przeznaczeniem

Niniejsze urządzenie służy wyłącznie do rozdrabniania w małych ilościach produktów spożywczych bez kości albo do ubijania śmietany. Urządzenie to przeznaczone jest wyłącznie do prywatnego użytku w gospodarstwie domowym. Każde inne użycie jest uważane za niezgodne z przeznaczeniem i może spowodować szkody materialne lub nawet obrażenia u osób. Producent urządzenia nie ponosi odpowiedzialności za szkody spowodowane użytkowaniem w sposób niezgodny z jego przeznaczeniem.

Niniejsze urządzenie nie jest przeznaczone do użytku w przedsiębiorstwach ani do zastosowań komercyjnych.

Zakres dostawy

Urządzenie dostarczane jest standardowo z następującymi elementami:

- Rozdrabniacz uniwersalny
- Uchwyt noża z nożem
- Nasadka mieszająca
- Podstawa
- Instrukcja obsługi

Rozpakowanie

- 1) Wyjmij z kartonu wszystkie elementy urządzenia oraz instrukcję obsługi.
- 2) Usuń z urządzenia wszystkie materiały opakowaniowe.

WSKAZÓWKA

- ▶ Urządzenie należy sprawdzić pod kątem kompletności dostawy i występowania widocznych uszkodzeń.
- ▶ W przypadku niekompletnej dostawy bądź wystąpienia uszkodzeń wskutek wadliwego opakowania lub transportu należy skontaktować się z infolinią serwisową (patrz rozdział **Serwis**).

Utylizacja opakowania

Opakowanie chroni urządzenie przed uszkodzeniem podczas transportu. Materiały opakowaniowe zostały dobrane z uwzględnieniem ochrony środowiska i można je poddać procesowi recyklingu.



Oddanie opakowania do punktu zbiórki surowców wtórnych pozwoli zaoszczędzić surowce naturalne i zmniejszyć ilość odpadów. Zbędne materiały opakowaniowe należy usuwać zgodnie z lokalnymi przepisami.



Opakowania należy utylizować w sposób przyjazny dla środowiska. Przestrzegać oznaczeń na różnych materiałach opakowaniowych i w razie potrzeby zutylizować je zgodnie z zasadami segregacji odpadów. Materiały opakowaniowe są oznaczone skrótami (a) i liczbami (b) w następujący sposób:

1-7: tworzywa sztuczne,
20-22: papier i tektura,
80-98: kompozyty.

WSKAZÓWKA




- W miarę możliwości zachowaj oryginalne opakowanie na czas trwania gwarancji, by w razie odsyłania urządzenia móc je prawidłowo zapakować.

Opis urządzenia

Rysunek A:

- 1 Przycisk Turbo
- 2 Blok silnika
- 3 Zespół pokrywki
- 4 Pokrywka
- 5 Uchwyt noża
- 6 Misa
- 7 Nóż
- 8 Łożysko
- 9 Podstawa
- 10 Nasadka mieszająca

Dane techniczne

Napięcie zasilania	220 - 240 V ~ (prąd przemienny), 50 Hz
Moc znamionowa	260 W
Klasa ochrony	II / □ (podwójna izolacja)
Czas pracy krótkotrwałej	1 minuta (z nasadką mieszającą 10)
Pojemność miski 6	840 ml
Maks. pojemności	Produkty spożywcze do oznaczenia 300 ml  Płyny do oznaczenia 200 ml 
	Wszystkie części tego urządzenia mające kontakt z żywnością posiadają na to odpowiednie dopuszczenia.

CZAS PRACY KRÓTKOTRWAŁEJ


Czas pracy krótkotrwałej określa, jak długo można używać urządzenia bez zagrożenia przegrzaniem silnika i tym samym jego uszkodzenia. Po upływie określonego czasu pracy urządzenie należy wyłączyć i poczekać, aż silnik ostygnie.

Wskazówki bezpieczeństwa

NIEBEZPIECZEŃSTWO PORAŻENIA PRĄDEM ELEKTRYCZNYM!

- ▶ Urządzenie należy podłączać wyłącznie do prawidłowo zainstalowanego gniazda sieciowego, w którym dostępny jest prąd o napięciu 220 - 240 V~ i częstotliwości 50 Hz.
- ▶ By uniknąć zagrożeń, zlecaj wymianę uszkodzonych wtyków sieciowych lub kabli zasilających wyłącznie autoryzowanemu specjalście, serwisowi lub innej podobnie wykwalifikowanej osobie.
- ▶ W razie pojawienia się jakichkolwiek zakłóceń w działaniu oraz przed czyszczeniem urządzenia należy wyciągnąć wtyk z gniazda sieciowego.
- ▶ Wyciągając kabel zasilający z gniazda, pociągaj zawsze za wtyk, a nie za kabel.

⚠ NIEBEZPIECZEŃSTWO PORAŻENIA PRĄDEM ELEKTRYCZNYM!

- ▶ Kabla zasilającego nie należy zaginać ani zgniatać. Należy go ułożyć w taki sposób, aby nikt nie mógł na niego nadepnąć ani się o niego potknąć.
 - ▶ Nie wolno wystawiać urządzenia na działanie wilgoci ani używać go na otwartej przestrzeni. Jeśli już cieczone dostanie się do wnętrza obudowy urządzenia, należy natychmiast wyciągnąć wtyk z gniazda zasilania i oddać urządzenie do naprawy przez wykwalifikowanego specjalistę.
 - ▶ Nigdy nie chwytać ani nie dotykać urządzenia, kabla zasilającego ani wtyku wilgotnymi rękoma.
 - ▶ W wypadku uszkodzenia kabla sieciowego lub bloku silnika, urządzenie musi zostać naprawione w serwisie zanim będzie można z niego ponownie skorzystać. Nie wolno otwierać obudowy bloku silnika. Stanowi to poważne zagrożenie i powoduje wygaśnięcie gwarancji.
 - ▶ Bezpośrednio po użyciu odłączyć urządzenie od sieci elektrycznej. Jedynie po wyciągnięciu wtyku z gniazda sieciowego uzyskujemy pewność, że urządzenie nie znajduje się pod napięciem.
-  Bloku silnika urządzenia nie wolno zanurzać w żadnej cieczy ani dopuszczać do przedostania się cieczy do jego obudowy.

⚠ OSTRZEŻENIE! NIEBEZPIECZEŃSTWO ZRANIENIA!

- ▶ Przed wymianą osprzętu lub elementów dodatkowych, które podczas pracy są w ruchu, należy wyłączyć urządzenie i odłączyć je od sieci elektrycznej.
- ▶ Nie używaj urządzenia do innych celów, niż opisane w tej instrukcji.
- ▶ Podczas opróżniania miski zachowaj ostrożność! Nóż jest bardzo ostry!

⚠ OSTRZEŻENIE! NIEBEZPIECZEŃSTWO ZRANIENIA!

- ▶ Podczas czyszczenia urządzenia zachowaj ostrożność!
Nóż jest bardzo ostry!
- ▶ Przy braku nadzoru oraz przed złożeniem, rozłożeniem lub czyszczeniem należy zawsze odłączyć urządzenie od zasilania sieciowego.
- ▶ Dzieci nie mogą posługiwać się urządzeniem.
- ▶ Urządzenie oraz jego kabel zasilający należy trzymać poza zasięgiem dzieci.
- ▶ To urządzenie może być używane przez osoby o zmniejszonych zdolnościach fizycznych, sensorycznych lub umysłowych lub też osoby nieposiadające odpowiedniego doświadczenia i/lub wiedzy, wyłącznie pod nadzorem lub po przeszkoleniu w zakresie bezpiecznego używania urządzenia oraz wynikających z niego zagrożeń.
- ▶ Dzieciom nie wolno bawić się urządzeniem.
- ▶ Należy zapewnić nadzór nad dziećmi, aby nie bawiły się urządzeniem.
- ▶ Przy obchodzeniu się z niezwykle ostrym nożem istnieje niebezpieczeństwo zranienia. Po użyciu i umyciu urządzenia należy je z powrotem złożyć, aby uniknąć skaleczenia się odkrytym nożem. Należy koniecznie zapobiec kontaktowi dzieci z nożem.
- ▶ Zabrania się wyjmować produkty spożywcze z miski do rozdrabniania, jeśli nóż jeszcze się obraca. Niebezpieczeństwo zranienia!
- ▶ Przed zdjęciem bloku silnika należy poczekać, aż nóż się zatrzyma.
- ▶ Nie wolno chwytać obracającego się noża!
Niebezpieczeństwo zranienia!

⚠ OSTRZEŻENIE! NIEBEZPIECZEŃSTWO POŻARU!

- ▶ Urządzenie nie może pracować przez czas dłuższy niż 1 minuta. Później należy odczekać do jego ostygnięcia.

UWAGA! MOŻLIWOŚĆ USZKODZENIA URZĄDZENIA!

- ▶ Należy przestrzegać informacji zawartych w tabeli dotyczącej ilości napełnienia w rozdziale „Rozdrabnianie”. W przeciwnym razie istnieje ryzyko zanieczyszczenia przez wylewającą się zawartość.
- ▶ Nie wolno myć bloku silnika w zmywarce, gdyż mogłoby to doprowadzić do jego uszkodzenia.
- ▶ Nie nalewaj do urządzenia żadnych gorących płynów! W przeciwnym razie może dojść do nieodwracalnego uszkodzenia urządzenia!

Obsługa

Rozdrabnianie

WSKAZÓWKA

- ▶ Przed pierwszym użyciem należy urządzenie dokładnie wyczyścić zgodnie z instrukcjami zawartymi w rozdziale Czyszczenie.

- 1) Załóż misę **6** na podstawę **9**.
- 2) Załóż uchwyt noża **5** z nożem **7** na łożysko **8**.
- 3) Przygotuj wsad, rozdrabniając duże kawałki na tyle (ok. 2 cm), aby pasowały do misy **6**.
- 4) Umieść wsad w misie **6**. Dla uzyskania optymalnych wyników zalecamy następujące maksymalne ilości napełnienia:

Artykuł spożywczy	Maks. ilość napełnienia	Czas obróbki	Prędkość
Cebula	100 g	pulsująco	turbo
Czosnek	150 g	pulsująco	turbo
Pomidory	200 g	10 sek.	normalna
Orzechy laskowe	200 g	3 x 8 sek.	turbo

Artykuł spożywczy	Maks. ilość napełnienia	Czas obróbki	Prędkość
Migdały	200 g	grubo: 1 x 15 sek. średnio: 2 x 15 sek. drobno: 3 x 15 sek.	turbo
Ser (Gouda, młody, temperatura z lodówki)	150 g	2 x 15 sek.	turbo
Jajka (ugotowane na twardo)	3 szt. (150 g)	2 x 4 sek.	turbo
Mięso	200 g	4 x 12 sek.	turbo
Kostki lodu	100 g	15 x 1 sek. pulsująco	turbo

- 5) Zamknij misę **6** pokrywką **4**: Załóż ją tak na misę **6**, aby noski na pokrywce **4** zaczepiły się w szynach na misie **6**. Obróć następnie pokrywkę **4** tak, aby noski w szynach przesuwały się do dołu.
 - 6) Załóż blok silnika **2** na zespół pokrywki **3**.
 - 7) Naciśnij blok silnika **2** do dołu, jak przedstawiono na rysunku B. Silnik uruchamia się z normalną prędkością pracy.
- Aby uzyskać dla wsadu większą prędkość pracy „Turbo”, naciśnij dodatkowo oprócz bloku silnika **2** również przycisk Turbo **1** i trzymaj ten przycisk wciśnięty w sposób przedstawiony na rysunku C.

WSKAZÓWKI

- ▶ Jeśli podczas obróbki na ściankach misy gromadzą się większe kawałki wsadu, podnieś blok silnika **2** z zespołu pokrywki **3**. Wstrząśnij energicznie misę **6**, a następnie od nowa rozpocznij pracę. Usuń ewentualne resztki za pomocą łopaty.
- ▶ Szczególnie twarde produkty należy przed rozpoczęciem ich obróbki pokroić na mniejsze kawałki (około 2 cm). W przeciwnym przypadku silnik może się zablokować.
Wybierz obróbkę pulsującą w przypadku twardych produktów. Aby to zrobić, naciśnij kilkakrotnie na krótko przycisk turbo **1** (dodatkowo do bloku silnika **2**). Jeśli wsad nie zostanie całkowicie rozdrobniony, można go pokroić na mniejsze kawałki lub podnieść blok silnika **2** z zespołu pokrywki **3**. Wstrząśnij energicznie misę **6**, a następnie od nowa rozpocznij pracę.

- 8) Po rozdrobieniu wsadu puść blok silnika ② i ewentualnie również przycisk Turbo ①.
- 9) Wyciągnij wtyk kabla zasilającego z gniazda.

⚠ OSTRZEŻENIE! NIEBEZPIECZEŃSTWO ZRANIENIA!

- ▶ Zabrania się wyjmować produkty spożywcze z miski ⑥, dopóki nóż ⑦ jeszcze się obraca. Istnieje niebezpieczeństwo zranienia, a rozpryskująca się zawartość może spowodować zabrudzenia.

- 10) Poczekać do zatrzymania się noża ⑦.
- 11) Podnieś blok silnika ② z zespołu pokrywy ③.
- 12) Zdejmij pokrywę ④.

⚠ OSTRZEŻENIE! NIEBEZPIECZEŃSTWO ZRANIENIA!

- ▶ Przy obchodzeniu się z niezwykle ostrym nożem ⑦ istnieje niebezpieczeństwo zranienia. Należy koniecznie zapobiec kontaktowi dzieci z nożem ⑦.

- 13) Wyciągnij ostrożnie uchwyt noża ⑤ z nożem ⑦ z miski ⑥.
- 14) Wyjmij wsad.

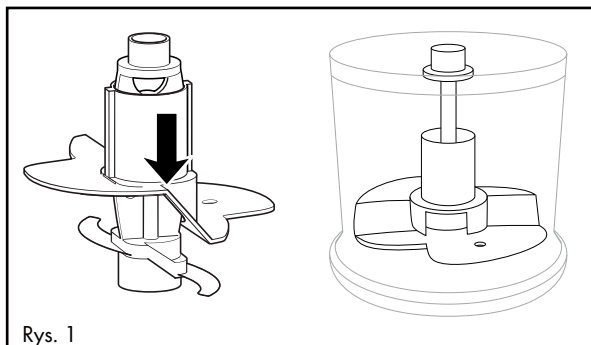
WSKAZÓWKI

- ▶ Przez rozdrabnianie twardszych, ścierających się produktów spożywczych miska ⑥ może z czasem uzyskać zmętniały wygląd. Jest to normalne zjawisko i nie ma wpływu na sprawność urządzenia.
- ▶ Podstawę ⑨ można po zakończeniu przetwarzania produktów spożywczych użyć jako pokrywy miski ⑥, aby utrzymywać produkty dłużej świeże.
 - Zdejmij blok silnika ② oraz pokrywę ④ z miski ⑥.
 - Uchwyt noża ⑤ wraz z nożem ⑦ może pozostać w misie ⑥.
 - Odłącz podstawę ⑨ od dołu miski ⑥. Obróć podstawę ⑨. Można założyć teraz podstawę ⑨ na miskę ⑥, aby ta zamknęła miskę ⑥.

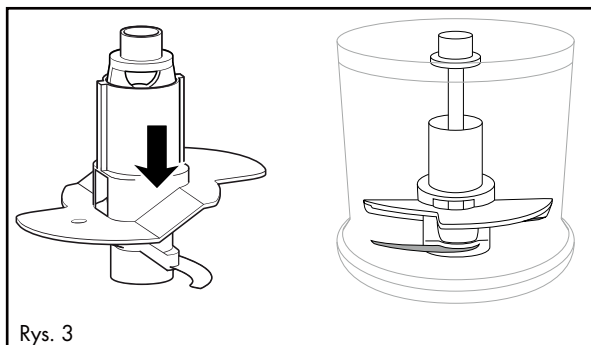
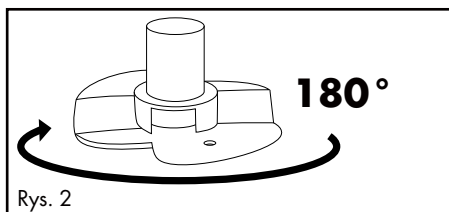
Ubijanie śmietany

Przy użyciu nasadki mieszającej **10** można za pomocą tego urządzenia również ubijać śmietaną:

- 1) Załóż misę **6** na podstawę **9**.
- 2) Wsuń nasadkę mieszającą **10** na uchwyt noża **5**:
 - Na 100 ml śmietany należy ją założyć na uchwyt noża **5** tak, aby nasadka mieszająca **10** przylegała do obu noży **7** i się na nich zablokowała (rys. 1):



- Na 200 ml śmietany obróć nasadkę mieszającą **10** w poziomie o 180° (rys. 2), aby przylegała jeszcze tylko do jednego noża **7** i się zablokowała (rys. 3). Wtedy nasadka będzie wyżej przesuwana się przez śmietaną:




- 3) Załóż uchwyt noża **5** wraz z nasadką mieszającą **10** na łożysko **8**.
- 4) Wlej śmietanę.
- 5) Zamknij misę **6** pokrywką **4**: Załóż ją tak na misę **6**, aby noski na pokrywce **4** zaczepiały się w szynach na misie **6**. Obróć następnie pokrywkę **4** tak, aby noski w szynach przesuwaly się do dołu.
- 6) Załóż blok silnika **2** na zespół pokrywki **3**.
- 7) Naciśnij blok silnika **2** do dołu, jak przedstawiono na rysunku B. Silnik uruchamia się z normalną prędkością pracy.

WSKAZÓWKA

- ▶ Aby ubić śmietanę, powinna ona zostać przed ubijaniem na sztywno dobrze schłodzona (maks. 8 °C/temperatura z lodówki).
- ▶ Zalecamy przy 100 ml śmietany czas ubijania wynoszący ok. 30 sek. przy normalnej prędkości.
- ▶ Zalecamy przy 200 ml śmietany czas ubijania wynoszący ok. 30 – 50 sek. przy normalnej prędkości.
- ▶ W zależności od różnych czynników, jak np. zawartość tłuszczu w śmietanie lub temperatura zewnętrzna, czas ubijania śmietany może się zmieniać! Obserwuj śmietanę w czasie ubijania i dopasuj czas ubijania odpowiednio do swoich potrzeb.

Czyszczenie i pielęgnacja

NIEBEZPIECZEŃSTWO PORAŻENIA PRĄDEM ELEKTRYCZNYM!

- ▶ Przed czyszczeniem urządzenia najpierw wyjmij wtyk z gniazda zasilania.
- ▶  Urządzenia nie wolno w czasie czyszczenia zanurzać w wodzie ani trzymać pod bieżącą wodą.

OSTRZEŻENIE! NIEBEZPIECZEŃSTWO ZRANIENIA!

- ▶ Przy obchodzeniu się z niezwykle ostrym nożem **7** istnieje niebezpieczeństwo zranienia. Po użyciu i umyciu urządzenia należy je z powrotem złożyć, aby uniknąć skaleczenia się odkrytym nożem **7**. Należy koniecznie zapobiec kontaktowi dzieci z nożem **7**.

UWAGA! SZKODY MATERIALNE!

- ▶ Nie wolno myć bloku silnika **2** w zmywarce, gdyż mogłoby to doprowadzić do jego uszkodzenia.
- Wyciągnij wtyk kabla zasilającego z gniazda.
- Blok silnika **2** i uchwyt noża **5** wraz z nożem **7** czyść wilgotną ściereczką.

- Umyj misę ⑥, nasadkę mieszającą ⑩, pokrywkę ④ i podstawę ⑨ w ciepłej wodzie z dodatkiem łagodnego środka do mycia naczyń. Wszystkie elementy spłucz czystą wodą i wytrzyj je suchą szmatką.



Alternatywnie, oprócz bloku silnika ②, wszystkie elementy można myć w zmywarce do naczyń. O ile to możliwe, części te ułóż w górnym koszu zmywarki. Uważaj, aby nie doszło do zaklinowania części.

Usuwanie usterek

PROBLEM	MOŻLIWA PRZYCZYNA	MOŻLIWE ROZWIĄZANIA
Urządzenie nie działa.	Urządzenie nie zostało podłączone do gniazda zasilania.	Podłącz urządzenie do gniazda zasilania.
	Urządzenie jest uszkodzone.	Skontaktuj się z serwisem.
	Bezpiecznik w domu jest przepalony.	Sprawdź bezpieczniki w domu i w razie potrzeby wymień.
	Urządzenie może być uszkodzone.	Skontaktuj się z serwisem.

Jeżeli za pomocą powyższych wskazówek nie można usunąć usterki lub gdy występują inne rodzaje usterek, proszę zwrócić się do naszego serwisu.

Załącznik

Utylizacja urządzenia



W żadnym przypadku nie wyrzucaj urządzenia do zwykłych śmieci domowych. Ten produkt podlega dyrektywie europejskiej 2012/19/EU.

Zużyte urządzenie należy oddać do certyfikowanego zakładu utylizacji odpadów lub do komunalnego zakładu oczyszczania. Należy przestrzegać aktualnie obowiązujących przepisów. W razie pytań i wątpliwości odnośnie do zasad utylizacji należy zwrócić się do miejscowego zakładu utylizacji odpadów.



Informacje na temat możliwości utylizacji zużytego urządzenia można uzyskać w urzędzie gminy lub miasta.



Produkt można poddać recyklingowi, podlega rozszerzonej odpowiedzialności producenta i jest zbierany w ramach systemu segregacji odpadów.

Gwarancja Kompernaß Handels GmbH

Szanowny Kliencie,

To urządzenie objęte jest 3-letnią gwarancją, licząc od daty zakupu. W przypadku wad tego produktu, masz gwarantowane ustawowo prawa w stosunku sprzedawcy. Te ustawowe prawa nie są ograniczone przez nasze opisane poniżej warunki gwarancji.

Warunki gwarancji

Okres gwarancji rozpoczyna się od daty zakupu. Należy zachować paragon. Jest on wymagany jako dowód zakupu.

Jeżeli w ciągu trzech lat od daty zakupu produktu ujawni się w nim wada materiałowa lub produkcyjna, produkt zostanie wedle naszego uznania nieodpłatnie naprawiony, wymieniony na nowy lub zostanie zwrócona jego cena. Warunkiem spełnienia tego świadczenia gwarancyjnego jest dostarczenie w trakcie tego trzyletniego okresu uszkodzonego urządzenia wraz z dowodem zakupu (paragonem) oraz krótkim opisem wady i daty jej wystąpienia.

Jeżeli wada jest objęta naszą gwarancją, otrzymasz z powrotem naprawiony lub nowy produkt.

Okres gwarancji i ustawowe roszczenia gwarancyjne

Wykonanie usługi gwarancyjnej nie przedłuża okresu gwarancji. Dotyczy to również wymienionych i naprawionych części. Wszelkie szkody i wady wykryte w chwili zakupu należy zgłosić bezpośrednio po rozpakowaniu urządzenia. Po upływie okresu gwarancji wszelkie naprawy są wykonywane odpłatnie.

Zakres gwarancji

Urządzenie zostało starannie wyprodukowane i poddane przed wysyłką skrupulatnej kontroli jakości.

Gwarancja obejmuje wady materiałowe lub produkcyjne. Niniejsza gwarancja nie obejmuje części produktu, podlegających normalnemu zużyciu, ani uszkodzeń części łatwo łamliwych, np. przełączników, akumulatorów, lub części wykonanych ze szkła.

Niniejsza gwarancja traci swoją ważność, jeśli produkt został uszkodzony, nie używano go prawidłowo lub nie serwisowano należycie. W celu zapewnienia prawidłowego stosowania produktu należy ściśle przestrzegać wszystkich instrukcji wymienionych w instrukcjach obsługi. Należy bezwzględnie unikać zastosowania oraz postępowania, których odradza się w instrukcji obsługi lub przed którymi się w niej ostrzega.

Produkt przeznaczony jest wyłącznie do użytku domowego, a nie do zastosowań komercyjnych. Niewłaściwe użytkowanie urządzenia, używanie go w sposób niezgodny z jego przeznaczeniem, użycie siły lub ingerencja w urządzenie, dokonywana poza naszymi autoryzowanymi punktami serwisowymi, powodują utratę gwarancji.

Realizacja zobowiązań gwarancyjnych

W celu zapewnienia szybkiego załatwienia sprawy, postępuj zgodnie z poniższymi wskazówkami:

- W przypadku wszelkich pytań przygotuj paragon fiskalny oraz numer artykułu (np. IAN 123456_7890) jako dowód zakupu.
- Numer artykułu można znaleźć na tabliczce znamionowej na produkcie, wygrawerowany na urządzeniu, zapisany na stronie tytułowej instrukcji obsługi (w dolnym lewym rogu) lub na naklejce z tyłu bądź na spodzie urządzenia.
- W przypadku wystąpienia błędów działania lub innych wad, prosimy o kontakt z odpowiednim działem serwisu **telefonicznie** lub **przez e-mail**.
- Zarejestrowany jako wadliwy produkt możesz wtedy wraz z dołączonym dowodem zakupu (paragonem) oraz opisem i datą wystąpienia usterki wysłać nieodpłatnie na przekazany wcześniej adres serwisu.



Na stronie www.lidl-service.com możesz pobrać te i wiele innych instrukcji, filmów o produktach oraz oprogramowanie instalacyjne.

Za pomocą tego kodu QR możesz przejść bezpośrednio na stronę serwisu Lidl (www.lidl-service.com), gdzie możesz otworzyć instrukcję obsługi, wpisując numer artykułu (IAN) 352700_2010.

Serwis

PL

Serwis Polska

Tel.: 22 397 4996

E-Mail: kompernass@lidl.pl

IAN 352700_2010

Importer

Pamiętaj, że poniższy adres nie jest adresem serwisu. Skontaktuj się najpierw z odpowiednim punktem serwisowym.

KOMPERNASS HANDELS GMBH

BURGSTRASSE 21

44867 BOCHUM

NIEMCY

www.kompernass.com

Obsah

Úvod	90
Používanie v súlade s účelom	90
Rozsah dodávky	90
Vybalenie	90
Likvidácia balenia	91
Opis prístroja	91
Technické údaje	92
Bezpečnostné pokyny	92
Obsluha	95
Rozomletie	95
Šľahanie šľahačky	98
Čistenie a údržba	99
Odstraňovanie porúch	100
Dodatok	100
Likvidácia prístroja	100
Záruka spoločnosti Kompernass Handels GmbH	101
Servis	102
Dovozca	102



Pred prvým použitím si pozorne prečítajte návod na obsluhu a uschovejte ho pre neskoršie použitie. Pri odovzdávaní prístroja tretej osobe odovzdajte aj tento návod.

Úvod

Srdečne Vám blahoželáme ku kúpe tohto nového prístroja!

Rozhodli ste sa tým pre moderný a vysoko kvalitný výrobok. Návod na obsluhu je súčasťou tohto výrobku. Obsahuje dôležité upozornenia týkajúce sa bezpečnosti, používania a likvidácie. Pred používaním výrobku sa oboznámte so všetkými pokynmi na obsluhu a bezpečnostnými pokynmi. Výrobok používajte iba tak, ako je tu opísané a iba v uvedených oblastiach použitia. Pri postúpení výrobku tretej osobe odovzdajte spolu s ním aj všetky dokumenty.

Používanie v súlade s účelom

Tento prístroj je určený výlučne na rozomletie malých množstiev potravín bez kostí alebo na šľahanie šľahačky. Tento prístroj je určený výlučne na používanie v domácnosti.

Akéoľvek iné používanie sa považuje za používanie v rozpore s určením a môže spôsobiť vecné škody alebo dokonca poranenia osôb. Nepreberá sa žiadne ručenie za škody, ktoré vzniknú v dôsledku používania v rozpore s určením. Toto zariadenie nie je určené na používanie v podniku ani na priemyselné používanie.

Rozsah dodávky

Prístroj sa štandardne dodáva s nasledovnými komponentmi:

- multifunkčný krájač
- držiak noža s nožom
- nadstavec na šľahanie
- stojan
- návod na obsluhu

Vybalenie

- 1) Vyberte všetky diely prístroja a návod na obsluhu z kartónového obalu.
- 2) Odstráňte z prístroja všetky obalové materiály.

UPOZORNENIE

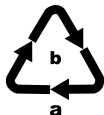
- ▶ Skontrolujte kompletnosť dodávky a prípadné viditeľné poškodenia.
- ▶ V prípade nekompletnej dodávky alebo poškodení, spôsobených nedostatočným balením alebo dopravou, sa obráťte na zákaznícku linku servisu (pozri kapitolu **Servis**).

Likvidácia balenia

Obal chráni prístroj pred poškodením počas prepravy. Obalové materiály sú vyberané z hľadiska ekologickej a technickej likvidácie, a preto ich možno recyklovať.



Recykláciou balenia sa šetria suroviny a znižujú sa náklady za odpad. Nepotrebné obalové materiály zlikvidujte podľa miestne platných predpisov.



Obal zlikvidujte ekologicky.

Zohľadnite označenie na rozličných obalových materiáloch a tieto prípadne zvlášť vytried'te. Obalové materiály sú označené skratkami (a) a číslicami (b) s nasledujúcim významom:

1-7: Plasty,

20-22: Papier a lepenka,

80-98: Kompozitné materiály.

UPOZORNENIE







- Podľa možnosti si odložte obalové materiály počas záručnej doby prístroja, aby ste ho mohli v prípade uplatnenia záruky správne zabaliť.

Opis prístroja

Obrázok A:

- 1 tlačidlo Turbo
- 2 blok motora
- 3 nákrúžok veka
- 4 veko
- 5 držiak noža
- 6 misa
- 7 nôž
- 8 ložisko
- 9 stojan
- 10 nadstavec na šľahanie

Technické údaje

Sieťové napätie	220 - 240 V ~ (striedavý prúd), 50 Hz
Menovitý výkon	260 W
Trieda ochrany	II /  (dvojitá izolácia)
Doba KP	1 minúta (s nastavec na šľahanie )
Kapacita misy 	840 ml
Max. množstvá naplnenia	Potraviny až po značku 300 ml 
	Tekutiny až po značku 200 ml 
	Všetky diely tohto prístroja, prichádzajúce do kontaktu s potravinami, sú bezpečné z hľadiska použitia s potravinami.

DOBA KP

Doba KP (krátkodobá prevádzka) udáva, ako dlho sa dá prevádzkovať prístroj bez toho, že by sa motor prehrial a došlo k jeho poškodeniu. Po uvedenej dobe krátkodobej prevádzky musí prístroj zostať vypnutý dovtedy, dokiaľ motor nevychladne.

Bezpečnostné pokyny

NEBEZPEČENSTVO ZASIAHNUTIA ELEKTRICKÝM PRÚDOM

- ▶ Prístroj zapojte iba do elektrickej zásuvky so sieťovým napätím 220 - 240 V ~, 50 Hz, ktorá je nainštalovaná podľa predpisov.
- ▶ Poškodenú sieťovú zástrčku alebo sieťový kábel nechajte ihneď vymeniť autorizovaným odborným personálom alebo zákazníckym servisom alebo podobne kvalifikovanou osobou, aby sa zabránilo ohrozeniam.
- ▶ Pri prevádzkových poruchách a pred čistením prístroja vyťahnite zástrčku z elektrickej zásuvky.
- ▶ Sieťový kábel vyťahujte z elektrickej zásuvky vždy za zástrčku, nikdy neťahajte za samotný kábel.

⚠ NEBEZPEČENSTVO ZASIAHNUTIA ELEKTRICKÝM PRÚDOM

- ▶ Neohýbajte ani nestláčajte sieťový kábel, a položte ho tak, aby na neho nikto nemohol stúpiť, ani sa oňho potknúť.
- ▶ Prístroj nesmiete vystaviť vlhkosti ani ho používať vonku. Ak by do telesa prístroja prešla len vnikla kvapalina, ihneď vytiahnite zástrčku prístroja z elektrickej zásuvky a nechajte prístroj opraviť kvalifikovaným odborným personálom.
- ▶ Prístroj, sieťový kábel a elektrickú zástrčku nikdy nechyťajte mokrými rukami.
- ▶ Keď je sieťový kábel alebo blok motora poškodený, musíte prístroj pred jeho opätovným použitím nechať opraviť odborným personálom. Teleso bloku motora nesmiete otvárať. V takomto prípade je ohrozená bezpečnosť a zanikne záruka.
- ▶ Po použití prístroj ihneď odpojte od elektrickej siete. Len keď vytiahnete zástrčku z elektrickej zásuvky, je prístroj úplne odpojený od prúdu.



Blok motora nesmiete v žiadnom prípade ponárať do tekutín a do telesa bloku motora sa nesmú dostať žiadne tekutiny.

⚠ VÝSTRAHA! NEBEZPEČENSTVO PORANENIA!

- ▶ Pred výmenou príslušenstva alebo prídavných dielov, ktoré sa počas prevádzky pohybujú, musíte prístroj vypnúť a odpojiť ho od elektrickej siete.
- ▶ Nepoužívajte prístroj na iné účely, než na popísané v tomto návode.
- ▶ Pri vyprázdňovaní misy postupujte opatrne! Nôž je veľmi ostrý!

⚠ VÝSTRAHA! NEBEZPEČENSTVO PORANENIA!

- ▶ Pri čistení prístroja postupujte opatrne! Nôž je veľmi ostrý!
- ▶ Prístroj sa v prípade neexistujúceho dozoru a pred zmontovaním, rozobratím alebo čistením musí vždy odpojiť od siete.
- ▶ Tento prístroj nesmú používať deti.
- ▶ Prístroj a jeho prípojný kábel sa musia uchovávať mimo dosahu detí.
- ▶ Tento prístroj môžu používať osoby so zníženými fyzickými, senzorickými alebo mentálnymi schopnosťami, prípadne s nedostatočnými skúsenosťami a/alebo znalosťami, keď sú pod dohľadom, alebo keď boli dostatočne poučené o bezpečnom používaní spotrebiča, a pochopili z toho vyplývajúce riziká.
- ▶ Deti sa nesmú hrať s prístrojom.
- ▶ Deti by mali byť pod dohľadom, aby sa zaistilo, že sa s prístrojom nehrajú.
- ▶ Pri manipulácii s mimoriadne ostrým nožom hrozí nebezpečenstvo zranenia. Po použití a očistení prístroj opäť zložte, aby ste sa neporanili o voľne ležiaci nôž. Nôž uchovávajte mimo dosahu detí.
- ▶ Nikdy nevyberajte potraviny z misy, pokiaľ sa nôž ešte otáča. Nebezpečenstvo poranenia!
- ▶ Skôr než odoberiete blok motora počkajte, dokiaľ sa nôž celkom nezastaví.
- ▶ Nikdy nesiahajte do priestoru, v ktorom sa ešte otáča nôž! Nebezpečenstvo poranenia!

⚠ VÝSTRAHA! NEBEZPEČENSTVO POŽIARU!

- ▶ Prístroj nesmiete nechať bežať dlhšie ako 1 minútu. Potom ho nechajte vychladnúť.

POZOR – POŠKODENIA PRÍSTROJA!

- ▶ Dodržiavajte tabuľku týkajúcu sa množstiev naplnenia v kapitole „Rozomletie“. V opačnom prípade hrozí nebezpečenstvo poranenia v dôsledku vytečeného naplneného množstva.
- ▶ Blok motora nesmiete umývať v umývačke riadu, mohol by sa tým poškodiť.
- ▶ Do prístroja nenalievajte žiadne horúce tekutiny! Inak sa môže prístroj poškodiť!

Obsluha

Rozomletie

UPOZORNENIE

- ▶ Pred prvým použitím musíte prístroj dôkladne vyčistiť podľa pokynov, uvedených v kapitole Čistenie.

- 1) Postavte misu **6** na stojan **9**.
- 2) Zastrčte držiak noža **5** s nožom **7** na ložisko **8**.
- 3) Pripravte potraviny tak, že veľké kusy nakrájate natoľko (ca. 2 cm), aby vošli do misy **6**.

- 4) Dajte potraviny do misy **6**. Pre optimálne výsledky odporúčame nasledujúce plniace množstvá:

Potravina	Max. plniace množstvo	Doba spracovania	Rýchlosť
Cibuľa	100 g	pulzujúci	turbo
Cesnak	150 g	pulzujúci	turbo
Paradajky	200 g	10 sek.	normálny
Lieskové oriešky	200 g	3 x 8 sek.	turbo
Mandle	200 g	nahrubo: 1 x 15 sek. stredne: 2 x 15 sek. najemno: 3 x 15 sek.	turbo
Syr (Gouda, čerstvý, teplota chladničky)	150 g	2 x 15 sek.	turbo
Vajcia (uvarené natvrdo)	3 ks (150 g)	2 x 4 sek.	turbo
Mäso	200 g	4 x 12 sek.	turbo
Kocky ľadu	100 g	15 x 1 sek. pulzujúci	turbo

- 5) Zatvorte misu **6** vekom **4**: Nasadíte ho na misu **6** tak, aby výstupky na veku **4** zapadli do žliabkov na mise **6**. Potom otočte veko **4** tak, aby výstupky v žliabkoch zaskočili nadol.
- 6) Nasadíte blok motora **2** na nákrúžok veka **3**.
- 7) Zatláčte blok motora **2** nadol tak, ako je to zobrazené na obrázku B. Motor sa spustí normálnou rýchlosťou spracovania.
- Na získanie vyššej rýchlosti spracovania potravín „turbo“, stlačte dodatočne k bloku motora **2** tlačidlo Turbo **1** a podržte ho stlačené, ako je to zobrazené na obrázku C.

UPOZORNENIA

- ▶ Ak sa počas spracovania nahromadia väčšie kusy potravín na stene misy, zdvihnite blok motora ② z nákrúžku veka ③. Potraste silno misou ⑥ a potom začinite so spracovaním od začiatku. Prípadné zvyšky odstráňte štierkou na cesto.
- ▶ Zvlášť tvrdé potraviny sa pred spracovaním musia nakrájať na menšie kúsky (ca. 2 cm). Inak sa môže motor zablokovať. V prípade tvrdých potravín zvolte pulzujúce spracovanie. Stlačte na tento účel krátkodobu tlačidlo Turbo ① (navyššie s blokom motora ②). Ak by sa naplnené potraviny úplne nerozomleli, môžete ich buď nakrájať na menšie kúsky alebo zdvihnite blok motora ② z nákrúžku veka ③. Potraste silno misou ⑥ a potom začinite so spracovaním od začiatku.

- 8) Keď sa potraviny rozomleli, pustiť blok motora ② a prípadne tlačidlo Turbo ①.
- 9) Vytiahnite zástrčku.

⚠ VÝSTRAHA – NEBEZPEČENSTVO PORANENIA!

- ▶ Nikdy neodoberajte potraviny z misy ⑥, pokiaľ sa nôž ⑦ ešte točí. Hrozí nebezpečenstvo poranenia a vystreknutý obsah by mohol viesť k znečisteniu.

- 10) Počkajte, dokiaľ sa nôž ⑦ nezastaví.
- 11) Zdvihnite blok motora ② z nákrúžku veka ③.
- 12) Odoberte veko ④.

⚠ VÝSTRAHA – NEBEZPEČENSTVO PORANENIA!

- ▶ Pri manipulácii s mimoriadne ostrým nožom ⑦ hrozí nebezpečenstvo zranenia. Nedovoľte, aby sa k nožu ⑦ dostali deti.

- 13) Vytiahnite držiak noža ⑤ s nožom ⑦ opatrne z misy ⑥.
- 14) Odoberte naplnené potraviny.

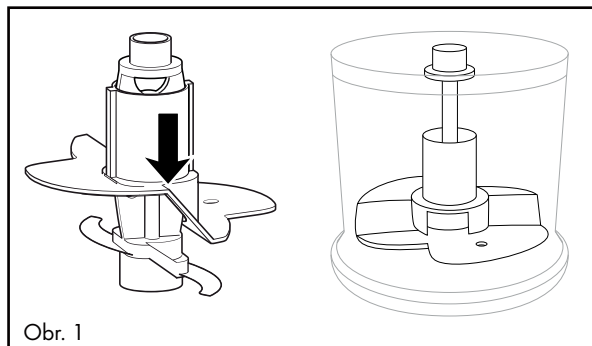
UPOZORNENIA

- ▶ V dôsledku rozomletia tvrdších, otierajúcich sa potravín môže mať misa ⑥ časom zakalený vzhľad. Toto je normálne a neovplyvňuje to funkciu prístroja.
- ▶ Ako ste ukončili spracovanie potravín, môžete použiť stojan ⑨ ako veko na misu ⑥, aby ste potraviny udržali dlhšie čerstvé.
 - Blok motora ② a veko ④ odoberte z misy ⑥.
 - Držiak noža ⑤ s nožom ⑦ môže, podľa želania, ostať v mise ⑥.
 - Povoľte stojan ⑨ zo spodnej strany misy ⑥. Otočte stojan ⑨. Teraz môžete stojan ⑨ nasadiť na misu ⑥ tak, aby tento uzavrel misu ⑥.

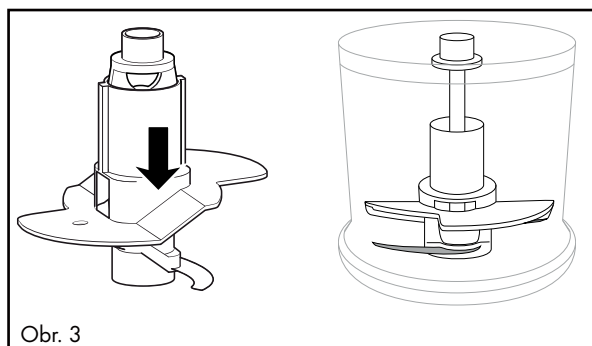
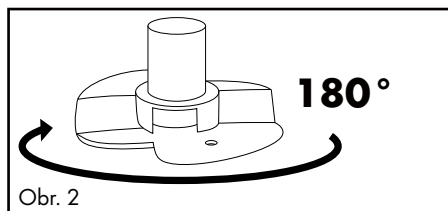
Šľahanie šľahačky

Pomocou nastavca na šľahanie 10 môžete týmto prístrojom šľahať tiež šľahačku:

- 1) Nasadíte misu 6 na stojan 4.
- 2) Nasuňte nastavec na šľahanie 10 na držiak noža 5:
 - Na 100 ml šľahačky ho zastrčíte na držiak noža 5 tak, aby nastavec na šľahanie 10 dosadal na obidva nože 7 a zaskočil (obr. 1):



- Na 200 ml šľahačky otočte nastavec na šľahanie 10 horizontálne o 180° (obr. 2) tak, aby tento dosadal už iba na jeden nôž 7 a zaskočil (obr. 3). Prechádza potom šľahačkou vyššie:



- 3) Nastrčte držiak noža 5 s nastavcom na šľahanie 10 na ložisko 8.
- 4) Nalite šľahačku.
- 5) Zatvorte misu 6 vekom 4: Nasadíte ho na misu 6 tak, aby výstupky na veku 4 zapadli do žliabkov na mise 6. Potom otočte veko 4 tak, aby výstupky v žliabkoch zaskočili nadol.
- 6) Nasadíte blok motora 2 na nákrúžok veka 3.
- 7) Zatlačte blok motora 2 nadol tak, ako je to zobrazené na obrázku B. Motor sa spustí normálnou rýchlosťou spracovania.

UPOZORNENIE

- ▶ Aby sa šľahačka dala vyšľahať, mala by byť táto pred vyšľahaním natuho dobre vychladená (max. 8 °C/teplota chladničky).
- ▶ Pri 100 ml šľahačky odporúčame čas šľahania ca. 30 sekúnd pri normálnej rýchlosti.
- ▶ Pri 200 ml smotany odporúčame dobu šľahania cca 30 – 50 sekúnd pri normálnej rýchlosti.
- ▶ Podmienene rôznymi vplyvmi, ako napr. obsah tuku šľahačky alebo vonkajšia teplota sa môže doba šľahania avšak odlišovať. Počas tuhého šľahania šľahačku pozorujte a dobu šľahania prispôbte Vaším potrebám.

Čistenie a údržba

NEBEZPEČENSTVO ZASIAHNUTIA ELEKTRICKÝM PRÚDOM!

- ▶ Skôr než začnete prístroj čistiť, vždy vytriahnite zástrčku z elektrickej zásuvky.



- ▶ Pri čistení nesmiete prístroj v žiadnom prípade ponárať do vody ani ho držať pod tečúcou vodou.

VÝSTRAHA! NEBEZPEČENSTVO POPÁLENIA!

- ▶ Pri manipulácii s mimoriadne ostrým nožom 7 hrozí nebezpečenstvo zranenia. Po použití a očistení znova poskladajte prístroj, aby ste sa neporanili na voľne ležiacom noži 7. Nedovoľte, aby sa k nožu 7 dostali deti.

POZOR! VECNÉ ŠKODY!

- ▶ Blok motora 2 nesmiete umývať v umývačke riadu, mohol by sa týmto poškodiť.
- Vytiahnite zástrčku.
 - Vyčistite blok motora 2 a držiak noža 5 s nožom 7 s dobre vyžmýkanou špongiou.

- Umyte misu ⑥, nadstavec na šľahanie ⑩, veko ④ a stojan ⑨ v teplej vode a pridajte trochu jemného umývacieho prostriedku. Všetky diely opláchnite čistou vodou a vysušte ich utierkou.



Alternatívne môžete všetky diely, okrem bloku motora ②, umyť v umývačke riadu. Pokiaľ je to možné, diely vložte do horného koša umývačky riadu. Dajte pozor, aby diely neboli stlačené.

Odstraňovanie porúch

PROBLÉM	MOŽNÁ PRÍČINA	MOŽNÉ RIEŠENIA
Prístroj nefunguje.	Prístroj nie je zapojený do sieťovej zásuvky.	Zapojte prístroj do sieťovej zásuvky.
	Prístroj je poškodený.	Obráťte sa na servis.
	Domáca poistka je chybná.	Skontrolujte domáce poistky a prípadne ich vymeňte.
	Prístroj je podľa možnosti chybný.	Obráťte sa na servis.

Ak sa poruchy nedajú odstrániť spôsobom uvedeným vyššie v tabuľke, alebo ak zistíte iné druhy porúch, obráťte sa, prosím, na náš servis.

Dodatok

Likvidácia prístroja



Prístroj v žiadnom prípade nevyhadzujte do bežného komunálneho odpadu. Na tento výrobok sa vzťahuje európska smernica č. 2012/19/EU.

Prístroj zlikvidujte v autorizovanej prevádzke na likvidáciu odpadov alebo v miestnom zbernom dvore na likvidáciu odpadov. Dodržiavajte pritom aktuálne platné predpisy. V prípade pochybností kontaktujte miestny zberný dvor.



Informácie o možnostiach likvidácie vyslužzeného výrobku získate od svojej obecnej alebo mestskej samosprávy.



Produkt je recyklovateľný, podlieha rozšírenej zodpovednosti výrobcu a zbiera sa oddelene.

Záruka spoločnosti Kompernass Handels GmbH

Vážená zákazníčka, vážený zákazník,

na tento prístroj máte záruku 3 roky od dátumu zakúpenia. V prípade nedostatkov tohto výrobku máte práva vyplývajúce zo zákona voči predajcovi tohto výrobku. Tieto Vaše práva vyplývajúce zo zákona nie sú obmedzené našou zárukou, uvedenou nižšie.

Záručné podmienky

Záručná doba začína plynúť dátumom zakúpenia. Prosím, uschovajte si pokladničný blok. Tento bude potrebný ako dôkaz o zakúpení.

Ak v priebehu troch rokov od dátumu zakúpenia tohto výrobku dôjde k chybe materiálu alebo výrobné chybe, výrobok vám – podľa nášho uváženia – bezplatne opravíme, vymeníme alebo uhradíme kúpnu cenu. Podmienkou tohto záručného plnenia je, že počas trojročnej lehoty sa poškodený prístroj a doklad o zakúpení (pokladničný blok) predloží so stručným opisom, v čom spočíva nedostatok prístroja a kedy sa vyskytol.

Ak je chyba pokrytá našou zárukou, zašleme Vám späť opravený alebo nový výrobok. Opravou alebo výmenou výrobku nezačína plynúť žiadna nová záručná doba.

Záručná doba a zákonné nároky na odstránenie chýb

Záručná doba sa záručným plnením nepredlži. To platí aj pre vymenené a opravené diely. Poškodenia a chyby zistené prípadne už pri kúpe, sa musia hlásiť okamžite po vybalení. Po uplynutí záručnej doby podliehajú prípadné opravy poplatku.

Rozsah záruky

Prístroj bol starostlivo vyrobený v súlade s prísnyimi smernicami kvality a pred dodaním bol svedomito preskúšaný.

Záručné plnenie sa vzťahuje na chyby materiálu alebo výrobné chyby. Táto záruka sa nevzťahuje na časti výrobku, ktoré sú vystavené bežnému opotrebovaniu a preto ich možno pokladať za rýchlo opotrebitel'né diely, ani na poškodenia krehkých dielov, ako sú napríklad spínače, akumulátory alebo diely vyrobené zo skla.

Táto záruka zaniká v prípade poškodenia výrobku neodborným používaním alebo neodbornou údržbou. Na správne používanie výrobku sa musia presne dodržiavať všetky pokyny, uvedené v návode na obsluhu. Bezpodmienečne sa musí zabrániť použitiu alebo úkonom, ktoré sa v návode na obsluhu neodporúčajú alebo pred ktorými sa varuje.

Výrobok je určený len na súkromné použitie a nie na priemyselné používanie. Záruka zaniká pri nesprávnom a neodbornom zaobchádzaní, pri použití násilia a pri zásahoch, ktoré neboli vykonané našim autorizovaným servisom.

Vybavenie v prípade záruky

Na zaručenie rýchleho vybavenia Vašej žiadosti postupujte podľa nasledujúcich pokynov:

- Na všetky otázky majte pripravený pokladničný doklad a číslo výrobku (napr. IAN 123456_7890) ako doklad o nákupe.
- Číslo výrobku nájdete na typovom štítku na výrobku, na gravúre na výrobku, na titulnej stránke návodu na obsluhu (dole vľavo) alebo ako nálepku na zadnej alebo spodnej strane výrobku.
- Ak dôjde k funkčným poruchám alebo iným nedostatkom, kontaktujte najprv nižšie uvedené servisné oddelenie **telefonicky** alebo **e-mailom**.
- Výrobok, zaevidovaný ako poruchový, môžete potom spolu s dokladom o nákupe (pokladničný blok) a uvedením popisu chyby a dátumu, kedy k nej došlo, bezplatne odoslať na adresu servisného strediska, ktorá Vám bude oznámená.



Na webovej stránke www.lidl-service.com si môžete stiahnuť tieto a mnoho ďalších príručiek, videá o výrobkoch a inštalačný softvér.

Pomocou tohto QR-kódu sa dostanete priamo na stránku servisu Lidl (www.lidl-service.com) a pomocou zadania čísla výrobku (IAN) 352700_2010 otvoríte váš návod na obsluhu.

Servis



Servis Slovensko

Tel. 0850 232001

E-Mail: kompernass@lidl.sk

IAN 352700_2010

Dovozca

Majte na pamäti, že nižšie uvedená adresa nie je adresou servisného strediska. Najprv kontaktujte uvedené servisné stredisko.

KOMPERNASS HANDELS GMBH

BURGSTRASSE 21

44867 BOCHUM

NEMECKO

www.kompernass.com

Índice

Introducción	104
Uso previsto	104
Volumen de suministro	104
Desembalaje	104
Desecho del embalaje.....	105
Descripción del aparato	105
Características técnicas	106
Indicaciones de seguridad	106
Manejo	109
Triturado/picado	109
Montar nata	112
Limpieza y mantenimiento	113
Eliminación de fallos	114
Anexo	114
Desecho del aparato.....	114
Garantía de Kompernass Handels GmbH	115
Asistencia técnica	116
Importador.....	116



Lea atentamente estas instrucciones de uso antes de utilizar el producto por primera vez y consérvelas para posteriores utilizaciones. Entréguelas junto al aparato cuando transfiera el producto a terceros.

Introducción

¡Felicidades por la compra de su aparato nuevo!

Ha adquirido un producto moderno y de alta calidad. Las instrucciones de uso forman parte del producto y contienen indicaciones importantes acerca de la seguridad, el uso y el desecho de este aparato. Antes de usar el producto, familiarícese con todas las indicaciones de manejo y de seguridad. Utilice el producto como se describe y para los ámbitos de aplicación indicados. Entregue todos los documentos cuando transfiera el producto a terceros.

Uso previsto

Este aparato está diseñado exclusivamente para triturar alimentos sin huesos en pequeñas cantidades o montar nata. Este aparato está previsto exclusivamente para su uso doméstico privado.

Cualquier otro uso se considera contrario al uso al previsto y puede provocar daños materiales e incluso lesiones personales. El fabricante no asumirá responsabilidad alguna por los daños derivados de una utilización contraria al uso previsto.

Este aparato no está previsto para ser utilizado en una empresa ni para uso comercial.

Volumen de suministro

El aparato se suministra de serie con los siguientes componentes:

- Picadora
- Portacuchillas con cuchilla
- Accesorio batidor
- Base
- Instrucciones de uso

Desembalaje

- 1) Extraiga todas las piezas del aparato y las instrucciones de uso de la caja.
- 2) Retire todos los materiales de embalaje del aparato.

INDICACIÓN

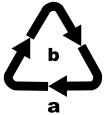
- ▶ Compruebe la integridad del suministro y si hay daños visibles.
- ▶ Si el suministro está incompleto o se observan daños debidos a un embalaje deficiente o al transporte, póngase en contacto con la línea directa de asistencia (consulte el capítulo **Asistencia técnica**).

Desecho del embalaje

El embalaje protege el aparato durante el transporte. El material de embalaje se ha seleccionado teniendo en cuenta criterios ecológicos y de desecho, por lo que es reciclable.



El reciclaje del embalaje permite ahorrar en materias primas y reduce el volumen de residuos. Deseche el material de embalaje que ya no necesite según lo dispuesto por las normativas locales aplicables.



Deseche el embalaje de forma respetuosa con el medio ambiente.

Observe las indicaciones de los distintos materiales de embalaje y, si procede, reciclelos de la manera correspondiente. Los materiales de embalaje cuentan con abreviaciones (a) y cifras (b) que significan lo siguiente:

1-7: plásticos,

20-22: papel y cartón,

80-98: materiales compuestos.

INDICACIÓN


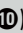




- Si es posible, conserve el embalaje original durante el periodo de garantía del aparato para poder empaquetarlo correctamente en caso de una reclamación conforme a la garantía.

Descripción del aparato

Figura A:

- 1 Botón Turbo
- 2 Bloque motor
- 3 Unión de la tapa
- 4 Tapa
- 5 Portacuchillas
- 6 Recipiente
- 7 Cuchilla
- 8 Soporte
- 9 Base
- 10 Accesorio batidor

Características técnicas

Tensión de red	220 - 240 V ~ (corriente alterna), 50 Hz
Potencia nominal	260 W
Clase de protección	II /  (aislamiento doble)
Duración del funcionamiento corto	1 minuto (con accesorio batidor )
Capacidad del recipiente 	840 ml
Máx. cantidad de llenado	Alimentos sólidos: hasta la marca de 300 ml  Líquidos: hasta la marca de 200 ml 
	Todas las piezas de este aparato que entran en contacto con alimentos son aptas para su uso con alimentos.

DURACIÓN DEL FUNCIONAMIENTO CORTO

La duración del funcionamiento corto indica durante cuánto tiempo puede funcionar un aparato sin que el motor se sobrecaliente ni se dañe. Después del intervalo de uso indicado, deberá apagarse el aparato hasta que el motor se haya enfriado.

Indicaciones de seguridad

PELIGRO DE DESCARGA ELÉCTRICA

- ▶ Conecte el aparato exclusivamente a una base de enchufe instalada conforme a la normativa con una tensión de red de 220 - 240 V ~ y 50 Hz.
- ▶ Encargue la sustitución inmediata del enchufe o del cable de red dañado al personal especializado autorizado, al servicio de asistencia técnica o a una persona con una cualificación similar para evitar riesgos.
- ▶ Si se producen errores de funcionamiento y antes de limpiar el aparato, extraiga la clavija de red de la base de enchufe.
- ▶ Cuando extraiga el cable de red de la base de enchufe, tire siempre de la clavija y no del propio cable.
- ▶ No doble ni aplaste el cable de red y tiéndalo de modo que nadie pueda pisarlo ni tropezar con él.

⚠ PELIGRO DE DESCARGA ELÉCTRICA

- ▶ El aparato no debe estar expuesto a la humedad ni utilizarse a la intemperie. Si, por cualquier motivo, penetrase líquido en la carcasa del aparato, extraiga la clavija de red de la base de enchufe y entregue el aparato al personal especializado cualificado para su reparación.
- ▶ No toque el aparato, el cable ni la clavija de red con las manos húmedas.
- ▶ Si el cable de red o el bloque motor están dañados, debe encargar la reparación del aparato al personal especializado antes de volver a utilizarlo. No abra nunca la carcasa del bloque motor. De lo contrario, no podrá garantizarse la seguridad del aparato y se anulará el derecho a la garantía.
- ▶ Desconecte el aparato de la red eléctrica inmediatamente después de su uso. El aparato solo estará totalmente desconectado de la corriente cuando se extraiga la clavija de red de la base de enchufe.



No sumerja nunca el bloque motor del aparato en líquidos y evite la penetración de líquidos en la carcasa del bloque motor.

⚠ ¡ADVERTENCIA! ¡PELIGRO DE LESIONES!

- ▶ Antes de cambiar los accesorios o las piezas móviles del aparato, apáguelo y desconéctelo de la red.
- ▶ No utilice nunca el aparato para fines distintos a los aquí descritos.
- ▶ Tenga cuidado al vaciar el recipiente. ¡La cuchilla está muy afilada!
- ▶ Tenga cuidado al limpiar el aparato. ¡La cuchilla está muy afilada!

⚠ ¡ADVERTENCIA! ¡PELIGRO DE LESIONES!

- ▶ Desconecte el aparato de la red eléctrica siempre que no esté bajo vigilancia y antes de su montaje, desmontaje y limpieza.
- ▶ Los niños no deben utilizar el aparato.
- ▶ El aparato y su cable de conexión deben mantenerse fuera del alcance de los niños.
- ▶ Este aparato puede ser utilizado por personas cuyas facultades físicas, sensoriales o mentales sean reducidas o carezcan de los conocimientos y de la experiencia necesaria, siempre que sean vigiladas o hayan sido instruidas correctamente sobre el uso seguro del aparato y hayan comprendido los peligros que entraña.
- ▶ Los niños no deben jugar con el aparato.
- ▶ Vigile a los niños para asegurarse de que no jueguen con el aparato.
- ▶ Existe riesgo de lesiones al manipular las cuchillas extremadamente afiladas. Vuelva a montar el aparato después de su utilización y limpieza para no dañarse con la cuchilla suelta. Guarde la cuchilla fuera del alcance de los niños.
- ▶ No retire nunca los alimentos del recipiente mientras la cuchilla siga girando. ¡Peligro de lesiones!
- ▶ Espere hasta que la cuchilla se pare antes de retirar el bloque motor.
- ▶ ¡No toque nunca la cuchilla en movimiento! ¡Peligro de lesiones!
- ▶ No debe dejar el aparato en funcionamiento durante más de 1 minuto. Tras esto, deje que se enfríe.

ATENCIÓN: ¡DAÑOS EN EL APARATO!

- ▶ Observe las cantidades de llenado de la tabla del capítulo "Triturado/picado". De lo contrario, existe el peligro de que la superficie se ensucie por el rebosamiento/la salida de los alimentos.
- ▶ El bloque motor no debe limpiarse en el lavavajillas porque se dañaría.
- ▶ ¡No vierta líquidos calientes en el aparato! De lo contrario, podría dañarse el aparato.

Manejo

Triturado/picado

INDICACIÓN

- ▶ Antes del primer uso, debe limpiarse concienzudamente el aparato de acuerdo con las instrucciones del capítulo dedicado a la limpieza.

- 1) Coloque el recipiente **6** en la base **9**.
- 2) Coloque el portacuchillas **5** con la cuchilla **7** en el soporte **8**.
- 3) Corte los alimentos grandes hasta que quepan en el recipiente **6** (en trozos de aprox. 2 cm).
- 4) Introduzca los trozos en el recipiente **6**. Para obtener un resultado óptimo, recomendamos las siguientes cantidades máximas de llenado:

Alimento	Máx. cantidad de llenado	Tiempo de preparación	Velocidad
Cebollas	100 g	Funcionamiento intermitente	Turbo
Ajos	150 g	Funcionamiento intermitente	Turbo
Tomates	200 g	10 s	Normal
Avellanas	200 g	3 veces durante 8 s/vez	Turbo

Alimento	Máx. cantidad de llenado	Tiempo de preparación	Velocidad
Almendras	200 g	En trozos grandes: 1 vez durante 15 s En trozos medianos: 2 veces durante 15 s/vez En trozos finos: 3 veces durante 15 s/vez	Turbo
Queso (Gouda joven a la temperatura de la nevera)	150 g	2 veces durante 15 s/vez	Turbo
Huevos (cocidos)	(3 huevos) 150 g	2 veces durante 4 s/vez	Turbo
Carne	200 g	4 veces durante 12 s/vez	Turbo
Cubitos de hielo	100 g	15 veces durante 1 s/vez Funcionamiento intermitente	Turbo

- 5) Cierre el recipiente **6** con la tapa **4**: para ello, colóquela sobre el recipiente **6** de forma que los salientes de la tapa **4** encajen en las guías del recipiente **6**. A continuación, gire la tapa **4** de manera que los salientes se deslicen por las guías hacia abajo.
 - 6) Coloque el bloque motor **2** sobre la unión de la tapa **3**.
 - 7) Presione el bloque motor **2** hacia abajo tal y como se muestra en la figura B. El motor se activa con la velocidad de procesamiento normal.
- Para lograr una mayor velocidad de procesamiento "Turbo" para el triturado de los alimentos, además del bloque motor **2**, debe mantenerse pulsado el botón Turbo **1** tal y como se muestra en la figura C.

INDICACIONES

- ▶ Si durante el procesamiento, se acumulan los trozos más grandes de alimentos en la pared del recipiente, levante el bloque motor **2** para retirarlo de la unión de la tapa **3**. Agite el recipiente **6** con fuerza y reinicie el procesamiento. Retire cualquier posible resto con una espátula de silicona.
- ▶ Los alimentos especialmente duros deben cortarse en trozos más pequeños (de aprox. 2 cm) antes del procesamiento. De lo contrario, el motor podría bloquearse. Seleccione un modo de funcionamiento intermitente para los alimentos duros. Para ello, pulse repetidamente el botón Turbo **1** de forma breve (además del bloque motor **2**). Si el alimento no se ha triturado totalmente, puede cortarlo en trozos más pequeños o levantar el bloque motor **2** para retirarlo de la unión de la tapa **3**. Tras esto, agite el recipiente **6** con fuerza y reinicie el procesamiento.

- 8) Una vez triturado el alimento, suelte el bloque motor **2** y, si procede, el botón Turbo **1**.
- 9) Tras esto, extraiga la clavija de red.

⚠ ADVERTENCIA: ¡PELIGRO DE LESIONES!

- ▶ No retire nunca los alimentos del recipiente **6** mientras la cuchilla **7** siga girando. Existe peligro de lesiones y el contenido podría salpicar y ensuciar.

- 10) Espere a que la cuchilla **7** se pare.
- 11) Levante el bloque motor **2** para retirarlo de la unión de la tapa **3**.
- 12) Retire la tapa **4**.

⚠ ADVERTENCIA: ¡PELIGRO DE LESIONES!

- ▶ Existe peligro de lesiones al manipular la cuchilla **7** extremadamente afilada. Guarde la cuchilla **7** fuera del alcance de los niños.

- 13) Retire cuidadosamente el portacuchillas **5** con la cuchilla **7** del recipiente **6**.
- 14) Extraiga los alimentos.

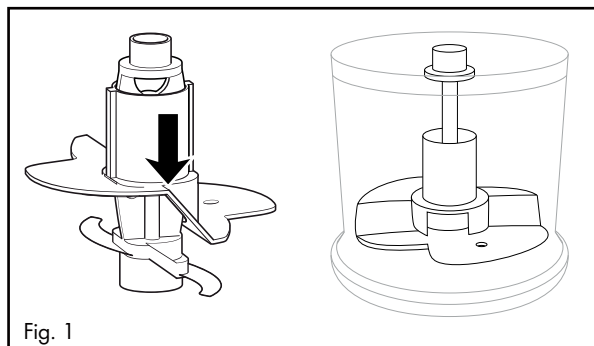
INDICACIONES

- ▶ Si se trituran alimentos duros y abrasivos, es posible que el recipiente **6** acabe adquiriendo un aspecto turbio con el tiempo. Esto es normal y no afecta al funcionamiento del aparato.
- ▶ Una vez finalizado el procesamiento de los alimentos, puede utilizar la base **9** como tapa para el recipiente **6** para mantenerlos frescos durante más tiempo.
 - Retire el bloque motor **2** y la tapa **4** del recipiente **6**.
 - Si lo desea, el portacuchillas **5** con la cuchilla **7** pueden permanecer en el recipiente **6**.
 - Retire la base **9** de la parte inferior del recipiente **6**. Dé la vuelta a la base **9**. Tras esto, podrá colocar la base **9** sobre el recipiente **6** para cerrar el recipiente **6**.

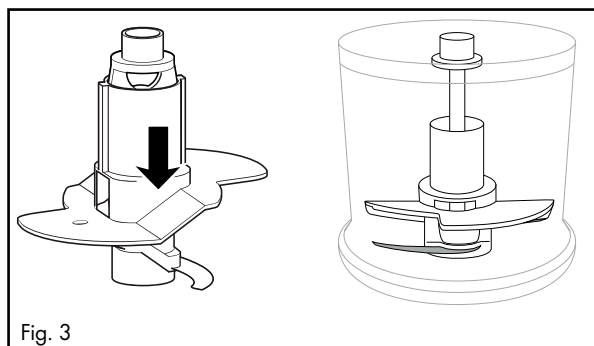
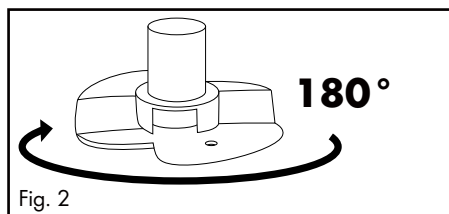
Montar nata

También puede montarse nata con este aparato por medio del accesorio batidor **10**:

- 1) Coloque el recipiente **6** en la base **4**.
- 2) Coloque el accesorio batidor **10** sobre el portacuchillas **5**:
 - Para 100 ml de nata, colóquelo sobre el portacuchillas **5** de forma que el accesorio batidor **10** quede sobre las dos cuchillas **7** y encastre (fig. 1):



- Para 200 ml de nata, gire el accesorio batidor **10** horizontalmente 180° (fig. 2) de forma que solo quede sobre una cuchilla **7** y encastre (fig. 3). Con esto, se montará la nata desde una posición superior:




- 3) Coloque el portacuchillas **5** con el accesorio batidor **10** en el soporte **8**.
- 4) Añada la nata.
- 5) Cierre el recipiente **6** con la tapa **4**: para ello, colóquela sobre el recipiente **6** de forma que los salientes de la tapa **4** encajen en las guías del recipiente **6**. A continuación, gire la tapa **4** de manera que los salientes se deslicen por las guías hacia abajo.
- 6) Coloque el bloque motor **2** sobre la unión de la tapa **3**.
- 7) Presione el bloque motor **2** hacia abajo tal y como se muestra en la figura B. El motor se activa con la velocidad de procesamiento normal.

INDICACIÓN

- ▶ Para montar la nata, esta debe estar bien fría (máx. 8 °C/temperatura de la nevera).
- ▶ Para 100 ml de nata, recomendamos batirla durante aprox. 30 segundos a velocidad normal.
- ▶ Para 200 ml de nata, recomendamos batirla durante aprox. 30 - 50 segundos a velocidad normal.
- ▶ No obstante, el tiempo puede variar por distintos factores, como, p. ej., el contenido de grasa de la nata o la temperatura externa. Observe la nata mientras la monta y ajuste el tiempo a sus necesidades.

Limpieza y mantenimiento

ADVERTENCIA: ¡PELIGRO DE DESCARGA ELÉCTRICA!

- ▶ Antes de limpiar el aparato, extraiga siempre la clavija de red de la base de enchufe.
- ▶  El aparato no debe sumergirse en agua ni mantenerse bajo el agua corriente para su limpieza.

ADVERTENCIA: ¡PELIGRO DE LESIONES!

- ▶ Existe peligro de lesiones al manipular la cuchilla **7** extremadamente afilada. Vuelva a montar el aparato tras su uso y limpieza para no dañarse con la cuchilla suelta **7**. Guarde la cuchilla **7** fuera del alcance de los niños.

ATENCIÓN: ¡DAÑOS MATERIALES!

- ▶ El bloque motor **2** no debe limpiarse en el lavavajillas porque se dañaría.
- Extraiga la clavija de red.
- Limpie el bloque motor **2** y el portacuchillas **5** con la cuchilla **7** con una esponja bien escurrida.

- Limpie el recipiente ⑥, el accesorio batidor ⑩, la tapa ④ y la base ⑨ en agua caliente y añada un poco de jabón lavavajillas suave. A continuación, enjuague todas las piezas con agua limpia y séquelas con un paño seco.



Alternativamente, pueden lavarse todas las piezas, excepto el bloque motor ②, en el lavavajillas. Coloque las piezas, dentro de lo posible, en la cesta superior del lavavajillas. Tenga cuidado de no aprisionar las piezas.

Eliminación de fallos

PROBLEMA	POSIBLE CAUSA	POSIBLES SOLUCIONES
El aparato no funciona.	El aparato no está conectado a una base de enchufe.	Conecte el aparato a una base de enchufe.
	El aparato está dañado.	Póngase en contacto con el servicio de asistencia técnica.
	Un fusible de la vivienda está defectuoso.	Compruebe los fusibles de la vivienda y cámbielos en caso necesario.
	Es posible que el aparato esté defectuoso.	Póngase en contacto con el servicio de asistencia técnica.

Si no logra solucionar los fallos siguiendo las instrucciones de eliminación de fallos mencionadas o comprueba la existencia de otras anomalías, póngase en contacto con nuestro servicio de asistencia técnica.

Anexo

Desecho del aparato



No deseché nunca el aparato con la basura doméstica. Este aparato está sujeto a la Directiva europea 2012/19/EU.

Deseche el aparato en un centro de residuos autorizado o a través de las instalaciones municipales de desecho de residuos. Observe las normas vigentes. En caso de duda, póngase en contacto con las instalaciones municipales de desecho de residuos.



Puede informarse acerca de las posibilidades de desecho de los aparatos usados en su administración municipal o ayuntamiento.



Este producto es reciclable, está sujeto a una responsabilidad ampliada del fabricante y se recoge por separado.

Garantía de Kompernass Handels GmbH

Estimado cliente:

Este aparato cuenta con una garantía de 3 años a partir de la fecha de compra. Si se detectan defectos en el producto, puede ejercer sus derechos legales frente al vendedor. Estos derechos legales no se ven limitados por la garantía descrita a continuación.

Condiciones de la garantía

El plazo de la garantía comienza con la fecha de compra. Guarde bien el comprobante de caja, ya que lo necesitará como justificante de compra.

Si dentro de un periodo de tres años a partir de la fecha de compra de este producto se detecta un defecto en su material o un error de fabricación, asumiremos la reparación o sustitución gratuita del producto o restituiremos el precio de compra a nuestra elección. La prestación de la garantía requiere la presentación del aparato defectuoso y del justificante de compra (comprobante de caja), así como una breve descripción por escrito del defecto detectado y de las circunstancias en las que se haya producido dicho defecto, dentro del plazo de tres años.

Si el defecto está cubierto por nuestra garantía, le devolveremos el producto reparado o le suministraremos uno nuevo. La reparación o sustitución del producto no supone el inicio de un nuevo periodo de garantía.

Duración de la garantía y reclamaciones legales por vicios

La duración de la garantía no se prolonga por hacer uso de ella. Este principio también se aplica a las piezas sustituidas y reparadas. Si después de la compra del aparato, se detecta la existencia de daños o de defectos al desmontarlo, deben notificarse de inmediato. Cualquier reparación que se realice una vez finalizado el plazo de garantía estará sujeta a costes.

Alcance de la garantía

El aparato se ha fabricado cuidadosamente según estándares elevados de calidad y se ha examinado en profundidad antes de su entrega.

La prestación de la garantía se aplica a defectos en los materiales o errores de fabricación. Esta garantía no cubre las piezas del producto normalmente sometidas al desgaste y que, en consecuencia, puedan considerarse piezas de desgaste ni los daños producidos en los componentes frágiles, p. ej., interruptores, baterías o piezas de vidrio.

Se anulará la garantía si el producto se daña o no se utiliza o mantiene correctamente. Para utilizar correctamente el producto, deben observarse todas las indicaciones especificadas en las instrucciones de uso. Debe evitarse cualquier uso y manejo que esté desaconsejado o frente al que se advierta en las instrucciones de uso.

El producto está previsto exclusivamente para su uso privado y no para su uso comercial. En caso de manipulación indebida e incorrecta, uso de la fuerza y apertura del aparato por personas ajenas a nuestros centros de asistencia técnica autorizados, la garantía perderá su validez.

Proceso de reclamación conforme a la garantía

Para garantizar una tramitación rápida de su reclamación, le rogamos que observe las siguientes indicaciones:

- Mantenga siempre a mano el comprobante de caja y el número de artículo (p. ej., IAN 123456_7890) como justificante de compra.
- Podrá ver el número de artículo en la placa de características del producto, grabado en el producto, en la portada de las instrucciones de uso (parte inferior izquierda) o en el adhesivo de la parte trasera o inferior del producto.
- Si se producen errores de funcionamiento u otros defectos, póngase primero en contacto con el departamento de asistencia técnica especificado a continuación **por teléfono** o **por correo electrónico**.
- Podrá enviar el producto calificado como defectuoso junto con el justificante de compra (comprobante de caja) y la descripción del defecto y de las circunstancias en las que se haya producido de forma gratuita a la dirección de correo proporcionada.



En www.lidl-service.com, podrá descargar este manual de usuario y muchos otros más, así como vídeos sobre los productos y software de instalación.

Con este código QR, accederá directamente a la página del Servicio Lidl (www.lidl-service.com) y podrá abrir las instrucciones de uso mediante la introducción del número de artículo (IAN) 352700_2010.

Asistencia técnica

ES

Servicio España

Tel.: 902 59 99 22

(0,08 EUR/Min. + 0,11 EUR/llamada (tarifa normal))

(0,05 EUR/Min. + 0,11 EUR/llamada (tarifa reducida))

E-Mail: kompennass@lidl.es

IAN 352700_2010

Importador

Tenga en cuenta que la dirección siguiente no es una dirección de asistencia técnica. Póngase primero en contacto con el centro de asistencia técnica especificado.

KOMPERNASS HANDELS GMBH

BURGSTRASSE 21

44867 BOCHUM

ALEMANIA

www.kompennass.com

Indholdsfortegnelse

Indledning	118
Anvendelsesområde	118
Pakkens indhold	118
Udpakning	118
Bortskaffelse af emballagen	119
Beskrivelse af produktet	119
Tekniske data	120
Sikkerhedsanvisninger	120
Betjening	123
Blending	123
Piskning af fløde	125
Rengøring og vedligeholdelse	127
Afhjælpning af fejl	128
Tillæg	128
Bortskaffelse af produktet	128
Garanti for Kompernass Handels GmbH	129
Service	130
Importør	130



Læs betjeningsvejledningen omhyggeligt igennem, før du bruger produktet første gang, og gem vejledningen til senere brug. Lad betjeningsvejledningen følge med produktet, hvis du giver det videre til andre.

Indledning

Til lykke med købet af dit nye produkt!

Du har valgt et moderne produkt af høj kvalitet. Betjeningsvejledningen er en del af dette produkt. Den indeholder vigtige informationer om sikkerhed, anvendelse og bortskaffelse. Du bør sætte dig ind i alle produktets betjenings- og sikkerhedsanvisninger før brug. Brug kun produktet som beskrevet og kun til de angivne anvendelsesområder. Lad vejledningen følge med produktet, hvis du giver det videre til andre.

Anvendelsesområde

Dette produkt er udelukkende beregnet til blendning af fødevarer i små mængder uden ben eller til piskning af fløde. Dette produkt er udelukkende beregnet til brug i private husholdninger.

Al anden anvendelse betragtes som værende uden for anvendelsesområdet og kan føre til personskader. Producenten er ikke ansvarlig for skader, der skyldes anvendelse til andre formål end anvendelsesområdet eller forkert betjening.

Dette produkt er ikke beregnet til brug i virksomheder eller til erhvervs-mæssig anvendelse.

Pakkens indhold

Produktet leveres som standard med følgende dele:

- Multihakker
- Knivholder med kniv
- Piskedel
- Fod
- Betjeningsvejledning

Udpakning

- 1) Tag alle delene samt betjeningsvejledningen ud af kassen.
- 2) Fjern alle emballeringsmaterialer fra produktet.

BEMÆRK

- ▶ Kontrollér, at alle dele er med, og at de ikke har synlige skader.
- ▶ Hvis der mangler dele, eller hvis nogle af delene er defekte på grund af mangelfuld emballage eller på grund af transporten, bedes du henvende dig til service-hotline (se kapitlet **Service**).

Bortskaffelse af emballagen

Emballagen beskytter produktet mod transportskader. Emballagematerialerne er valgt ud fra kriterier som miljøforlidelighed og bortskaffelsesteknik og kan derfor genbruges.



Aflevering af emballagen til genbrug sparer råstoffer og reducerer affaldsmængden. Bortskaf emballagematerialer, du ikke skal bruge mere, efter de lokalt gældende forskrifter.



Bortskaf emballagen miljøvenligt.

Vær opmærksom på mærkningen på de forskellige emballagematerialer, og aflever dem sorteret til bortskaffelse. Emballagematerialerne er mærket med forkortelserne (a) og tallene (b) med følgende betydning:

1-7: Plast,

20-22: Papir og pap,

80-98: Kompositmaterialer.

BEMÆRK







- Opbevar den originale emballage i løbet af produktets garantiperiode, hvis det er muligt, så du kan pakke det ordentligt ind, hvis du skal gøre brug af garantien.

Beskrivelse af produktet

Figur A:

- 1 Turboknap
- 2 Motordel
- 3 Lågets bund
- 4 Låg
- 5 Knivholder
- 6 Skål
- 7 Kniv
- 8 Leje
- 9 Fod
- 10 Piskedel

Tekniske data

Netspænding	220 - 240 V ~ (vekselstrøm), 50 Hz
Nominel effekt	260 W
Beskyttelsesklasse	II /  (dobbeltisolering)
Tid for korttidsdrift	1 minut (med piskedel )
Rumindhold skål 	840 ml
Maks. påfyldningsmængde	Fødevarer op til 300 ml-markeringen 
	Væske op til 200 ml-markeringen 
	Alle dele, som kommer i kontakt med fødevarer, er levedsmiddelægte.

TID FOR KORTTIDSDRIFT

Tiden for korttidsdrift angiver, hvor længe man kan bruge produktet, uden at motoren bliver for varm og tager skade. Efter den angivne korttidsdrift skal der slukkes for produktet, indtil motoren er kølet af.

Sikkerhedsanvisninger

FARE FOR ELEKTRISK STØD!

- ▶ Slut kun produktet til en forskriftsmæssigt installeret stikkontakt med en spænding på 220 - 240 V ~ med 50 Hz.
- ▶ Hvis strømstikket eller ledningen er beskadiget, skal det/den straks udskiftes af en autoriseret reparatør, af kundeservice eller af en tilsvarende kvalificeret person, så farlige situationer undgås.
- ▶ Træk stikket ud af stikkontakten ved driftsfejl, og før du rengør produktet.
- ▶ Træk altid stikket ud af stikkontakten ved at trække i selve stikket og ikke i ledningen.

⚠ FARE FOR ELEKTRISK STØD!

- ▶ Ledningen må aldrig knækkes eller klemmes og heller ikke lægges, så man kan træde på den eller snuble over den.
- ▶ Produktet må ikke udsættes for fugt og ikke bruges uden-dørs. Hvis der kommer væske ind i kabinettet, skal du straks trække stikket ud af stikkontakten og få produktet repareret af en autoriseret reparatør.
- ▶ Rør ikke ved produktet, strømledningen eller stikket med våde hænder.
- ▶ Hvis ledningen eller motordelen er beskadiget, skal du lade fagfolk reparere produktet, før du bruger det igen. Kabinettet til motordelen må ikke åbnes. Hvis du gør det, kan sikkerheden ikke garanteres, og garantien bortfalder.
- ▶ Afbryd straks produktet fra strømmen efter brug. Produktet er kun fuldstændigt strømfrit, når stikket er trukket ud af stikkontakten.



Motordelen må aldrig komme i kontakt med væske, og der må ikke komme væske ind i motordelens hus.

⚠ ADVARSEL! FARE FOR PERSONSKADER!

- ▶ Før udskiftning af tilbehør eller dele, som bevæger sig under brug, skal produktet slukkes og afbrydes fra strømforsyningen.
- ▶ Produktet må ikke bruges til andre formål end dem, der er beskrevet i denne vejledning.
- ▶ Vær forsigtig ved tømning af skålen! Kniven er meget skarp!
- ▶ Vær forsigtig ved rengøring af produktet! Kniven er meget skarp!

ADVARSEL! FARE FOR PERSONSKADER!

- ▶ Produktet skal altid afbrydes fra strømforsyningen, hvis det ikke er under opsyn samt inden montering, afmontering eller rengøring.
- ▶ Produktet må ikke bruges af børn.
- ▶ Produktet og dets tilslutningsledning skal holdes uden for børns rækkevidde.
- ▶ Dette produkt kan bruges af personer med reducerede fysiske, sensoriske eller mentale evner eller manglende erfaring og/eller viden, hvis de er under opsyn eller er blevet oplært i brugen af produktet og de farer, som kan være forbundet med det.
- ▶ Børn må ikke lege med produktet.
- ▶ Børn skal være under opsyn, så det sikres, at de ikke leger med produktet.
- ▶ Ved arbejde med den meget skarpe kniv er der fare for personskader. Saml produktet igen efter brug og rengøring, så du ikke kommer til skade på den fritsiddende kniv. Sørg for, at børn ikke kan komme i kontakt med kniven.
- ▶ Tag aldrig fødevarer op af skålen, så længe kniven drejer rundt. Fare for personskader!
- ▶ Vent, til kniven er standset, før du tager motordelen af.
- ▶ Stik aldrig fingrene ind i den roterende kniv!
Fare for personskader!

ADVARSEL! BRANDFARE!

- ▶ Lad ikke produktet køre i mere end 1 minut. Lad det derefter afkøle.

OBS! SKADER PÅ PRODUKTET!

- ▶ Følg tabellen for påfyldte mængder i kapitlet »Blending«.
Ellers er der fare for, at fødevarerne løber over og snavser omgivelserne til.
- ▶ Motordelen må ikke rengøres i opvaskemaskinen, da den derved beskadiges.
- ▶ Fyld ikke varme væsker i produktet! Dette kan beskadige produktet!

Betjening

Blending

BEMÆRK

- ▶ Før første brug skal produktet rengøres grundigt efter anvisningerne i rengøringskapitlet.

- 1) Sæt skålen **6** på foden **9**.
- 2) Sæt knivholderen **5** med kniven **7** på lejet **8**.
- 3) Forbered fødevarerne ved at skære store stykker i mindre stykker (ca. 2 cm), så de kan være i skålen **6**.
- 4) Hæld fødevarerne i skålen **6**. For at opnå optimale resultater anbefaler vi følgende maksimale påfyldningsmængder:

Fødevarer	Maks. påfyldningsmængde	Bearbejdnings tid	Hastighed
Løg	100 g	pulserende	turbo
Hvidløg	150 g	pulserende	turbo
Tomater	200 g	10 sek.	normal
Hasselnødder	200 g	3 x 8 sek.	turbo
Mandler	200 g	groft: 1 x 15 sek. mellem: 2 x 15 sek. fint: 3 x 15 sek.	turbo
Ost Ost (gouda, skæreost, køleskabstemperatur)	150 g	2 x 15 sek.	turbo

Fødevarer	Maks. påfyldningsmængde	Bearbejdningstid	Hastighed
Æg (hårdkogte)	3 stk. (150 g)	2 x 4 sek.	turbo
Kød	200 g	4 x 12 sek.	turbo
Isterninger	100 g	15 x 1 sek. pulserende	turbo

- 5) Luk skålen **6** med låget **4**: Sæt låget på skålen **6**, så tapperne på låget **4** går ind i skinnerne på skålen **6**. Drej låget **4**, så tapperne går ned i skinnerne.
- 6) Sæt motordelen **2** på lågets bund **3**.
- 7) Tryk motordelen **2** ned som vist på figur B. Motoren starter med normal hastighed.
 - For at opnå den høje hastighed "Turbo" skal du trykke på motordelen **2** og turbo-knappen **1** samtidig og holde dem nede som vist på figur C.

ANVISNINGER

- ▶ Hvis der samler sig større stykker fødevarer på skålens sider under arbejdet, skal du tage motordelen **2** af lågets bund **3**. Ryst skålen **6** kraftigt, og begynd derefter forfra med blendningen. Fjern eventuelle rester med en dejskraber.
 - ▶ Meget hårde fødevarer skal skæres i mindre stykker før bearbejdningen (ca. 2 cm). Ellers kan motoren blokere. Vælg pulserende bearbejdning til hårde fødevarer. Det gør du ved at trykke flere gange hurtigt på turbo-knappen **1** (mens du trykker på motordelen **2**). Hvis fødevarerne ikke blendes helt, kan du skære dem i mindre stykker eller tage motordelen **2** af lågets bund **3**. Ryst skålen **6** kraftigt, og begynd derefter forfra med blendningen.
- 8) Når fødevarerne er blendet, slippes motordelen **2** og eventuelt også turbo-knappen **1**.
 - 9) Træk stikket ud.

⚠ ADVARSEL! FARE FOR PERSONSKADER!

 - ▶ Tag aldrig fødevarer ud af skålen **6**, mens kniven **7** stadig drejer rundt. Der er fare for personskader, og indholdet, der sprøjter ud, kan snavse omgivelserne til.
 - 10) Vent, til kniven **7** står stille.
 - 11) Tag motordelen **2** af lågets bund **3**.
 - 12) Tag låget **4** af.

⚠ ADVARSEL! FARE FOR PERSONSKADER!

- ▶ Når du arbejder med den ekstremt skarpe kniv **7**, er der fare for personskade. Sørg for, at børn ikke kan få adgang til kniven **7**.

13) Tag forsigtigt knivholderen **5** med kniven **7** ud af skålen **6**.

14) Tag fødevarerne op.

ANVISNINGER

- ▶ Skålen **6** kan med tiden blive uklar på grund af blendning af hårde fødevarer, som slynges mod siderne. Det er normalt og påvirker ikke produktets funktion.
- ▶ Foden **9** kan anvendes som låg til skålen **6**, når du er færdig med at blende, så fødevarerne holdes friske i længere tid.
 - Tag motordelen **2** og låget **4** af skålen **6**.
 - Knivholderen **5** med kniven **7** kan blive siddende i skålen **6**, hvis du ønsker det.
 - Løsn foden **9** fra undersiden af skålen **6**. Drej foden **9**. Nu kan du sætte foden **9** på skålen **6**, så skålen **6** lukkes.

Piskning af fløde

Med dette produkt og piskedelen **10** kan du piske fløde:

- 1) Sæt skålen **6** på foden **9**.
- 2) Sæt piskedelen **10** på knivholderen **5**:
 - For at piske 100 ml fløde skal du sætte piskedelen på knivholderen **5**, så piskedelen **10** sidder på begge knive **7** og går i indgreb (fig. 1):

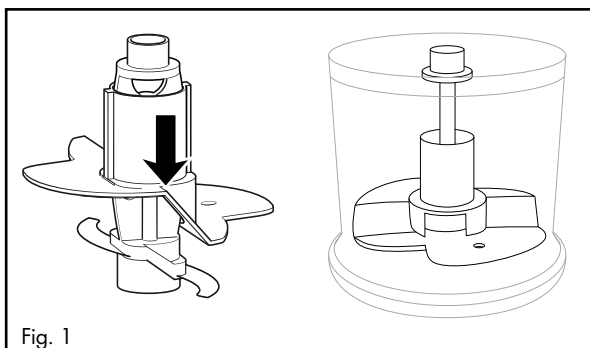
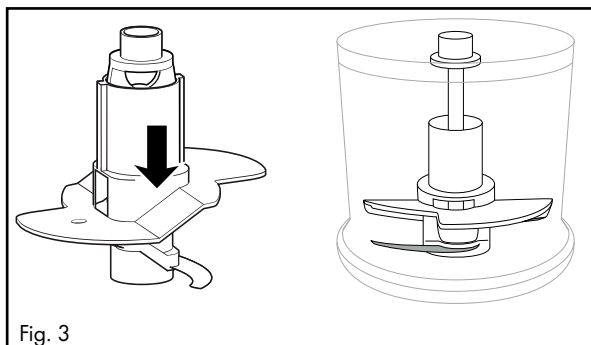
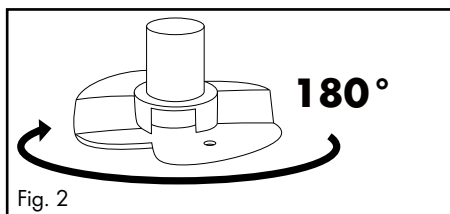


Fig. 1

- For at piske 200 ml fløde skal du dreje piskedelen **10** 180° vandret (fig. 2), så den kun sidder på én kniv **7** og går i indgreb (fig. 3). Så piskes fløden hurtigere:



- 3) Sæt knivholderen 5 med piskedelen 10 på lejet 8.
- 4) Hæld fløden i.
- 5) Luk skålen 6 med låget 4: Sæt låget på skålen 6, så tapperne på låget 4 går ind i skinnerne på skålen 6. Drej låget 4, så tapperne går ned i skinnerne.
- 6) Sæt motordelen 2 på lågets bund 3.
- 7) Tryk motordelen 2 ned som vist på figur B. Motoren starter med normal hastighed.

BEMÆRK

- For at piske fløden stiv skal den være afkølet (maks. 8°C/køleskabstemperatur).
- Vi anbefaler, at 100 ml fløde piskes i 30 sekunder ved normal hastighed.
- Ved 200 ml fløde anbefaler vi en pisketid på 30 - 50 sekunder ved normal hastighed.
- Af forskellige grunde kan pisketiden dog variere. Det kan f.eks. skyldes fedtindholdet i fløden eller omgivelsestemperaturerne! Hold øje med fløden, mens du pisker, og tilpas pisketiden efter dine ønsker.

Rengøring og vedligeholdelse

ADVARSEL! FARE FOR ELEKTRISK STØD!

- ▶ Træk altid stikket ud af stikkontakten, før du rengør produktet.



Du må aldrig lægge produktet ned i vand eller holde det ind under rindende vand under rengøringen.

ADVARSEL! FARE FOR PERSONSKADER!

- ▶ Når du arbejder med den ekstremt skarpe kniv **7**, er der fare for personskade. Saml produktet igen efter brug og rengøring, så du ikke kommer til skade på den fritsiddende kniv **7**. Sørg for, at børn ikke kan få adgang til kniven **7**.

OBS! MATERIELLE SKADER!

- ▶ Motordelen **2** må ikke rengøres i opvaskemaskinen, da den derved beskadiges.

- Træk stikket ud.
- Rengør motordelen **2** og knivholderen **5** med kniven **7** med en godt opvredet svamp.
- Rengør skålen **6**, piskedelen **10**, låget **4** og foden **9** i varmt vand tilsat et mildt opvaskemiddel. Skyl alle dele af med rent vand, og tør dem med et viskestykke.



Du kan også vaske alle dele – bortset fra motordelen **2** – op i opvaskemaskinen. Læg delene i opvaskemaskinens øverste kurv, hvis det er muligt. Sørg for, at delene ikke kommer i klemme.

Afhjælpning af fejl

PROBLEM	MULIG ÅRSAG	MULIGE LØSNINGER
Produktet fungerer ikke.	Produktet er ikke sluttet til en stikkontakt.	Slut produktet til en stikkontakt.
	Produktet er beskadiget.	Henvend dig til serviceafdelingen.
	En af husets sikringer er defekt.	Kontrollér husets sikringer, og udskift ved behov.
	Produktet er muligvis defekt.	Henvend dig til serviceafdelingen.

Hvis fejlene ikke kan rettes med ovenstående fejlfhjælpning, eller hvis du finder andre typer fejl, bedes du henvende dig til vores serviceafdeling.

Tillæg

Bortskaffelse af produktet



Bortskaf ikke produktet sammen med det almindelige husholdningsaffald. Dette produkt er underlagt det europæiske direktiv 2012/19/EU.

Bortskaf produktet via en godkendt bortskaffelsesvirksomhed eller den kommunale genbrugsplads. Følg de aktuelt gældende regler. Henvend dig i tvivlstilfælde til den lokale genbrugsplads.



Du kan få oplysninger hos kommunen om bortskaffelse af udtjente produkter.



Produktet kan genbruges, er underlagt udvidet producentansvar og indsamles separat.

Garanti for Kompernass Handels GmbH

Kære kunde

På dette produkt får du 3 års garanti fra købsdatoen. I tilfælde af mangler ved produktet har du en række juridiske rettigheder i forhold til sælgeren af produktet. Dine juridiske rettigheder forringes ikke af den nedenfor anførte garanti.

Garantibetingelser

Garantiperioden begynder på købsdatoen. Opbevar venligst kvitteringen et sikkert sted. Den er nødvendig for at kunne dokumentere købet.

Hvis der inden for tre år fra dette produkts købsdato opstår en materiale- eller fabrikationsfejl, vil produktet – efter vores valg – blive repareret eller udskiftet, eller købsprisen vil blive refunderet gratis til dig. Denne garantiydelse forudsætter, at det defekte produkt afleveres, og købsbeviset (kvitteringen) forevises i løbet af fristen på tre år, og at der gives en kort skriftlig beskrivelse af, hvori manglen består, og hvornår den er opstået.

Hvis defekten er dækket af vores garanti, får du et repareret eller et nyt produkt retur. Reparation eller ombytning af produktet udløser ikke en ny garantiperiode.

Garantiperiode og juridiske mangelkrav

Garantiperioden forlænges ikke, hvis der gøres brug af garantien. Det gælder også for udskiftede og reparerede dele. Skader og mangler, som eventuelt allerede fandtes ved køb, samt manglende dele, skal anmeldes straks efter udpakningen. Når garantiperioden er udløbet, er reparation af skader betalingspligtig.

Garantiens omfang

Produktet er produceret omhyggeligt efter strenge kvalitetsretningslinjer og testet grundigt inden leveringen.

Garantien dækker materiale- og fabrikationsfejl. Denne garanti omfatter ikke produktdele, der er udsat for normal slidage og derfor kan betragtes som sliddele, eller skader på skrøbelige dele som f.eks. kontakter, genopladelige batterier eller dele af glas.

Denne garanti bortfalder, hvis produktet er blevet beskadiget, ikke er forskriftsmæssigt anvendt eller vedligeholdt. For at sikre forskriftsmæssig anvendelse af produktet skal alle anvisninger nævnt i betjeningsvejledningen nøje overholdes. Anvendelsesformål og handlinger, som frarådes eller der advares imod i betjeningsvejledningen, skal ubetinget undgås.

Produktet er kun beregnet til privat og ikke til kommercielt brug. Ved misbrug og uhensigtsmæssig brug, anvendelse af vold og ved indgreb, som ikke er foretaget af vores autoriserede serviceafdeling, bortfalder garantien.

Afvikling af garantisager

For at sikre en hurtig behandling af din anmeldelse bør du følge nedenstående anvisninger:

- Ved alle forespørgsler bedes du have kvitteringen og artikelnummeret (f. eks. IAN 123456_7890) klar som dokumentation for købet.
- Artikelnummeret kan du finde på typeskiltet på produktet, som indgravering på produktet, på betjeningsvejledningens forside (nederst til venstre) eller som klæbemærke på bag- eller undersiden af produktet.
- Hvis der opstår funktionsfejl eller øvrige mangler, bedes du først kontakte nedennævnte serviceafdeling **telefonisk** eller **via e-mail**.
- Et produkt, der er registreret som defekt, kan du derefter indsende portofrit til den oplyste serviceadresse med vedlæggelse af købsbevis (kvittering) og en beskrivelse af, hvori manglen består, og hvornår den er opstået.



På www.lidl-service.com kan du downloade denne og mange andre manualer, produktvideoer og installationssoftware.

Med denne QR-kode kommer du direkte til Lidl-servicesiden (www.lidl-service.com) og kan åbne den ønskede betjeningsvejledning ved indtastning af artikelnummeret (IAN) 352700_2010.

Service

DK Service Danmark

Tel.: 32 710005

E-Mail: kompennass@lidl.dk

IAN 352700_2010

Importør

Bemærk at den efterfølgende adresse ikke er en serviceadresse. Kontakt først det nævnte servicested.

KOMPERNASS HANDELS GMBH

BURGSTRASSE 21

44867 BOCHUM

TYSKLAND

www.kompennass.com



KOMPERNASS HANDELS GMBH

BURGSTRASSE 21

44867 BOCHUM

GERMANY

www.kompernass.com

Last Information Update · Stand der Informationen · Version des informations · Stand van de informatie
Stav informací · Stan informáci · Stav informácií · Estado de las informaciones · Tilstand af information:
02 / 2021 · Ident.-No.: SMZ260K5-112020-2

IAN 352700_2010