



## **PORTABLE METAL BAND SAW / METALLBANDSÄGE SCIE À RUBANS POUR MÉTAUX PMB 1100 B2**

(GB)

### **PORTABLE METAL BAND SAW**

Translation of the original instructions

(FR)

### **SCIE À RUBANS POUR MÉTAUX**

Traduction des instructions d'origine

(CZ)

### **KOVOVÁ PÁSOVÁ PÍLA**

Překlad originálního provozního návodu

(SK)

### **KOVOVÁ PÁSOVÁ PÍLA**

Překlad originálneho návodu na obsluhu

(DK)

### **METALBÅNDSAV**

Oversættelse af den originale driftsvejledning

(DE)

### **METALLBANDSÄGE**

Originalbetriebsanleitung

(NL)

### **METAALBANDZAAG**

Vertaling van de originele gebruiksaanwijzing

(PL)

### **PIŁA TAŚMOWA DO METALU**

Tłumaczenie oryginalnej instrukcji obsługi

(ES)

### **SIERRA DE CINTA PARA METAL**

Traducción del manual de instrucciones original

IAN 364705\_2101



GB

Before reading, unfold the page containing the illustrations and familiarise yourself with all functions of the device.

---

DE

Klappen Sie vor dem Lesen die Seite mit den Abbildungen aus und machen Sie sich anschließend mit allen Funktionen des Gerätes vertraut.

---

FR

Avant de lire le mode d'emploi, ouvrez la page contenant les illustrations et familiarisez-vous ensuite avec toutes les fonctions de l'appareil.

---

NL

Vouw vóór het lezen de pagina met de afbeeldingen open en maak u vertrouwd met alle functies van het apparaat.

---

CZ

Před čtením si otevřete stranu s obrázky a potom se seznamte se všemi funkcemi přístroje.

---

PL

Przed przeczytaniem proszę rozłożyć stronę z ilustracjami, a następnie proszę zapoznać się z wszystkimi funkcjami urządzenia.

---

SK

Pred čítaním si odklopte stranu s obrázkami a potom sa oboznámte so všetkými funkciami prístroja.

---

ES

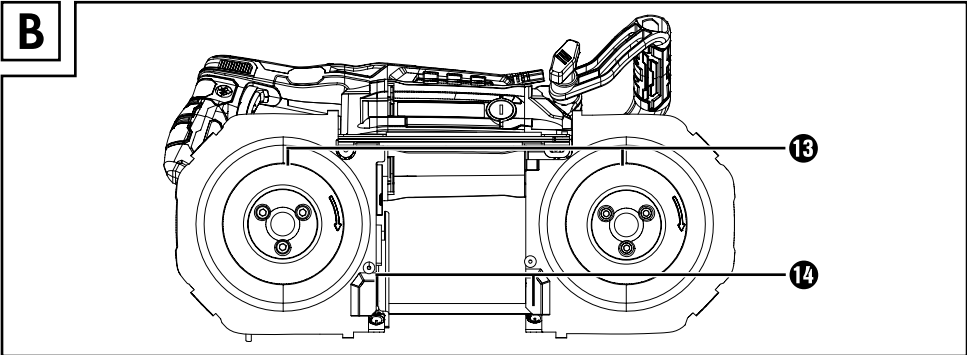
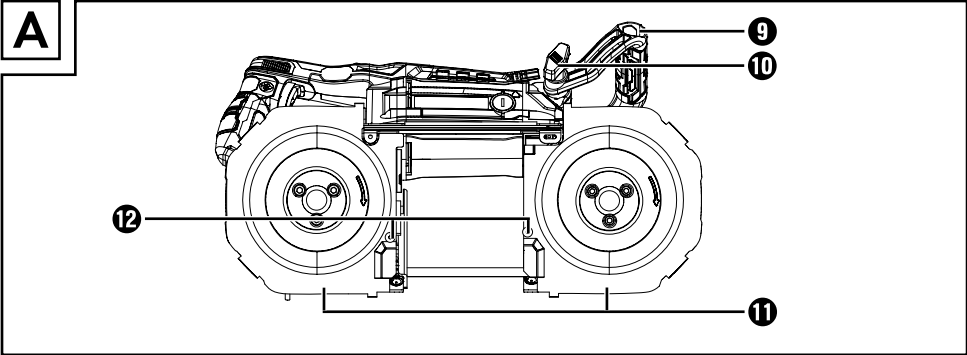
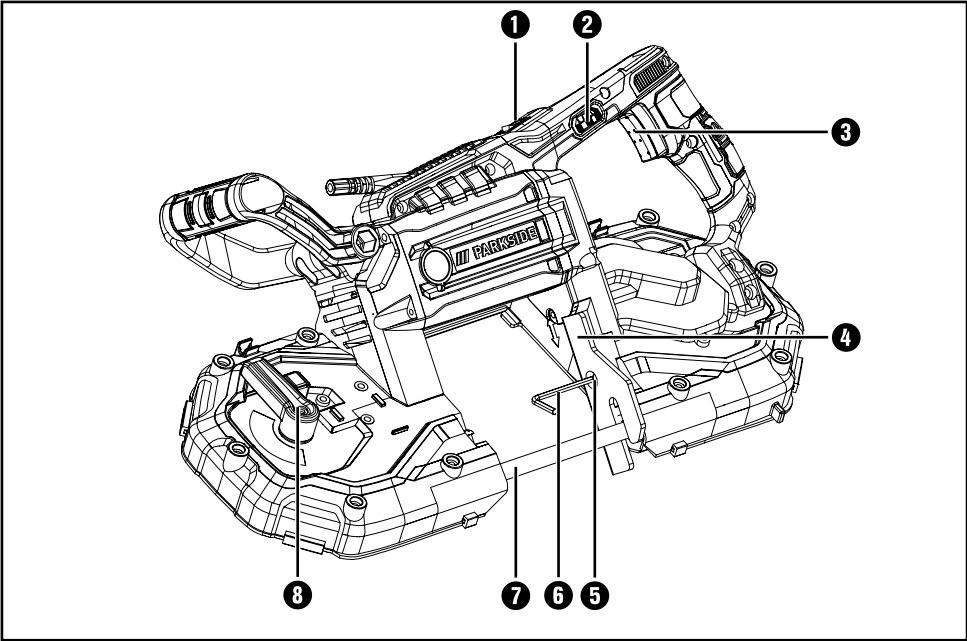
Antes de empezar a leer abra la página que contiene las imágenes y, en seguida, familiarícese con todas las funciones del dispositivo.

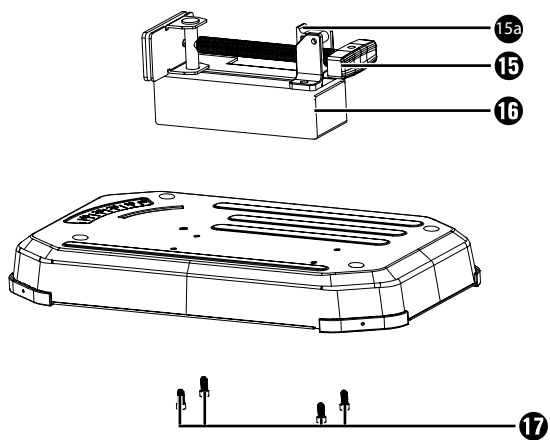
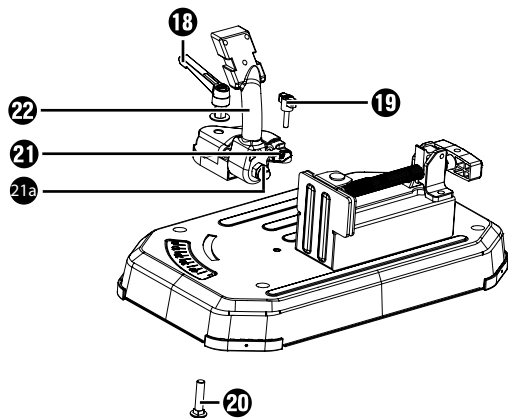
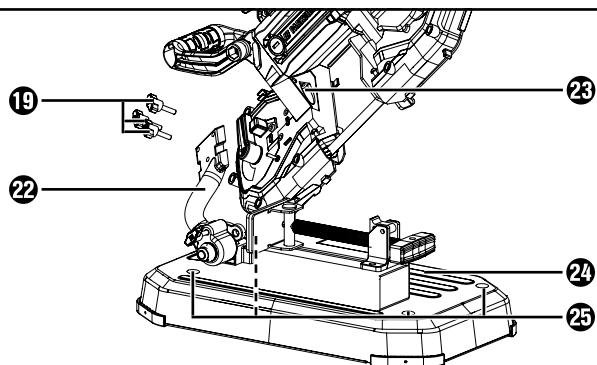
---

DK

Før du læser, vend siden med billeder frem og bliv bekendt med alle apparatets funktioner.

GB	Translation of the original instructions	Page	1
DE	Originalbetriebsanleitung	Seite	13
FR	Traduction des instructions d'origine	Page	25
NL	Vertaling van de originele gebruiksaanwijzing	Pagina	39
CZ	Překlad originálního provozního návodu	Strana	51
PL	Tłumaczenie oryginalnej instrukcji obsługi	Strona	63
SK	Překlad originálneho návodu na obsluhu	Strana	75
ES	Traducción del manual de instrucciones original	Página	87
DK	Oversættelse af den originale driftsvejledning	Side	99



**C****D****E**

# Contents

<b>Introduction</b> .....	<b>2</b>
Intended use .....	2
Features .....	2
Package contents .....	2
Technical specifications .....	2
<b>General power tool safety warnings</b> .....	<b>3</b>
1. Work area safety .....	3
2. Electrical safety .....	4
3. Personal safety .....	4
4. Power tool use and care .....	5
5. Service .....	5
Additional safety instructions for band saws .....	5
Original accessories/auxiliary equipment .....	6
<b>Before use</b> .....	<b>6</b>
Assembly .....	6
Making settings .....	7
Changing the saw blade .....	8
<b>Use</b> .....	<b>8</b>
Switching the appliance on and off .....	8
Switching the work lamp on and off .....	8
Setting rotational speed .....	8
Working procedures .....	9
<b>Cleaning and maintenance</b> .....	<b>9</b>
<b>Disposal</b> .....	<b>9</b>
<b>Kompernass Handels GmbH warranty</b> .....	<b>10</b>
<b>Service</b> .....	<b>11</b>
<b>Importer</b> .....	<b>11</b>
<b>Translation of the original Conformity Declaration</b> .....	<b>12</b>

## PORTABLE METAL BAND SAW PMB 1100 B2

### Introduction

Congratulations on the purchase of your new appliance. You have chosen a high-quality product. The operating instructions are a part of this product. They contain important information about safety, usage and disposal. Before using the product, please familiarise yourself with all of the operating and safety instructions. Use the product only as described and for the range of applications specified. Please also pass these operating instructions on to any future owner.

### Intended use

The appliance is primarily intended for sawing metal pipes or profiles.

Any other usage or modification of the appliance is deemed to be improper and carries a significant risk of accidents.

The appliance should not be used for industrial purposes.

### Features

- ❶ Light switch
- ❷ Speed setting wheel
- ❸ On/Off switch
- ❹ Workpiece stop
- ❺ Workpiece stop screw
- ❻ Small hex key
- ❼ Saw blade
- ❽ Saw blade clamping lever

#### Figure A

- ❾ Handle
- ❿ Wing screw on handle
- ⓫ Protective covers
- ⓬ Locking screws

#### Figure B

- ⓭ Rubber wheels
- ⓮ Guide rollers

#### Figure C

- ⓯ Handle on the vice
- ⓰ Quick release
- ⓱ Vice
- ⓲ Cylinder head screws with hex socket

#### Figure D

- ⓳ Cutting angle adjustment
- ⓴ Long wing screw
- ⓵ Screw for the cutting angle adjustment
- ⓶ Locking pin
- ⓷ Nut
- ⓸ Swivel arm

#### Figure E

- ⓹ Work lamp
- ⓺ Saw table
- ⓻ Drill holes

### Package contents

- 1 portable Metal Band Saw
- 1 saw table (pre-assembled)
- 4 wing screws, long (pre-assembled)
- 4 cylinder head screws with hex socket (pre-assembled)
- 1 hex key, small (4 mm)
- 1 hex key, large (6 mm)
- 1 set of operating instructions

### Technical specifications

Rated voltage	230 V ~, 50 Hz (AC)
Rated power consumption	1100 W
Cutting width at 90°	127 mm x 127 mm (without saw table)
Cutting width at 45°	127 mm x 40 mm (without saw table)
Rated idle speed	n <sub>0</sub> 0-290 rpm
Saw band speed	0-2.4 m/s
Inclined cuts	0° - 45°
Protection class	II/□ (double insulation)

### Noise emission value

Noise measurement value determined in accordance with EN 60745. The A-rated noise level of the power tool is typically:

Sound pressure level	$L_{PA} = 90.7 \text{ dB (A)}$
Uncertainty K	$K_{PA} = 3 \text{ dB}$
Sound power level	$L_{WA} = 101.7 \text{ dB (A)}$
Uncertainty K	$K_{WA} = 3 \text{ dB}$



**Wear ear muffs!**



**Read the operating instructions before use.**

### Total vibration value

(vector total of three directions) determined in accordance with EN 60745:

Sawing metal	$a_{h,CM} = 6.94 \text{ m/s}^2$
Uncertainty	$K = 1.5 \text{ m/s}^2$
Sawing wood	$a_{h,CW} = 6.25 \text{ m/s}^2$
Uncertainty	$K = 1.5 \text{ m/s}^2$

#### NOTE

- ▶ The vibration emission values and the noise emission values given in these instructions have been measured in accordance with a standardised test procedure and can be used for comparison of the power tool with another tool.
- ▶ The specified total vibration values and the noise emission values can also be used to make a provisional load estimate.

#### WARNING!

- ▶ Depending on the manner in which the power tool is being used, and in particular the kind of workpiece being worked, the vibration and noise emission values can deviate from the values given in these instructions during actual use of the power tool.

#### WARNING!

- ▶ Try to keep the vibration loads as low as possible. Measures to reduce the vibration load are, e.g. wearing gloves and limiting the working time. Wherein all states of operation must be included (e.g. times when the power tool is switched off and times where the power tool is switched on but running without load).



### General power tool safety warnings

#### WARNING!

- ▶ **Read all safety warnings and all instructions.** Failure to follow the warnings and instructions may result in electric shock, fire and/or serious injury.

#### Save all warnings and instructions for future reference.

The term "power tool" in the warnings refers to your mains-operated (corded) power tool or battery-operated (cordless) power tool.

### 1. Work area safety

- Keep work area clean and well lit.**  
Cluttered or dark areas invite accidents.
- Do not operate power tools in explosive atmospheres, such as in the presence of flammable liquids, gases or dust.** Power tools create sparks which may ignite the dust or fumes.
- Keep children and bystanders away while operating a power tool.** Distractions can cause you to lose control.

## 2. Electrical safety

- a) Power tool plugs must match the outlet. Never modify the plug in any way. Do not use any adapter plugs with earthed (grounded) power tools. Unmodified plugs and matching outlets will reduce risk of electric shock.
- b) Avoid body contact with earthed or grounded surfaces, such as pipes, radiators, ranges and refrigerators. There is an increased risk of electric shock if your body is earthed or grounded.
- c) Do not expose power tools to rain or wet conditions. Water entering a power tool will increase the risk of electric shock.
- d) Do not abuse the cord. Never use the cord for carrying, pulling or unplugging the power tool. Keep cord away from heat, oil, sharp edges or moving parts. Damaged or entangled cords increase the risk of electric shock.
- e) When operating a power tool outdoors, use an extension cord suitable for outdoor use. Use of a cord suitable for outdoor use reduces the risk of electric shock.
- f) If operating a power tool in a damp location is unavoidable, use a residual current device (RCD) protected supply. Use of an RCD reduces the risk of electric shock.

## 3. Personal safety

- a) Stay alert, watch what you are doing and use common sense when operating a power tool. Do not use a power tool while you are tired or under the influence of drugs, alcohol or medication. A moment of inattention while operating power tools may result in serious personal injury.
- b) Use personal protective equipment. Always wear eye protection. Protective equipment such as dust mask, non-skid safety shoes, hard hat, or hearing protection used for appropriate conditions will reduce personal injuries.
- c) Prevent unintentional starting. Ensure the switch is in the off-position before connecting to power source and/or battery pack, picking up or carrying the tool. Carrying power tools with your finger on the switch or energising power tools that have the switch on invites accidents.
- d) Remove any adjusting key or wrench before turning the power tool on. A wrench or a key left attached to a rotating part of the power tool may result in personal injury.
- e) Do not overreach. Keep proper footing and balance at all times. This enables better control of the power tool in unexpected situations.
- f) Dress properly. Do not wear loose clothing or jewellery. Keep your hair, clothing and gloves away from moving parts. Loose clothes, jewellery or long hair can be caught in moving parts.
- g) If devices are provided for the connection of dust extraction and collection facilities, ensure these are connected and properly used. Use of dust collection can reduce dust-related hazards.



#### 4. Power tool use and care

- a) Do not force the power tool. Use the correct power tool for your application. The correct power tool will do the job better and safer at the rate for which it was designed.
- b) Do not use the power tool if the switch does not turn it on and off. Any power tool that cannot be controlled with the switch is dangerous and must be repaired.
- c) Disconnect the plug from the power source and/or the battery pack from the power tool before making any adjustments, changing accessories, or storing power tools. Such preventive safety measures reduce the risk of starting the power tool accidentally.
- d) Store idle power tools out of the reach of children and do not allow persons unfamiliar with the power tool or these instructions to operate the power tool. Power tools are dangerous in the hands of untrained users.
- e) Maintain power tools. Check for misalignment or binding of moving parts, breakage of parts and any other condition that may affect the power tool's operation. If damaged, have the power tool repaired before use. Many accidents are caused by poorly maintained power tools.
- f) Keep cutting tools sharp and clean. Properly maintained cutting tools with sharp cutting edges are less likely to bind and are easier to control.
- g) Use the power tool, accessories and tool bits, etc., in accordance with these instructions, taking into account the working conditions and the work to be performed. Use of the power tool for operations different from those intended could result in a hazardous situation.

#### 5. Service

- a) Have your power tool serviced by a qualified repair person using only identical replacement parts. This will ensure that the safety of the power tool is maintained.

#### Additional safety instructions for band saws

- Hold the appliance by the insulated gripping surfaces when performing work where the cutting tool may come into contact with hidden cables or its connecting cable. If the cutting tool comes into contact with a live wire, this may make exposed metal parts of the power tool live and could give the operator an electric shock.
- Keep your hands out of the sawing area and away from the saw blade.
- Always make sure that the portable band saw is clean before use.
- Always stop working immediately if you notice anything unusual.
- Before using the tool, always ensure that all components are properly and safely assembled.
- Always be careful when attaching or removing the band saw blade.
- Always keep your hands away from the cutting path of the band saw blade.
- Always wait until the motor has reached full speed before sawing.
- Keep the handles dry, clean and free from oil and grease. Hold the tool firmly while working.

- Always be vigilant, especially during repetitive, monotonous operations. Always make sure that your hands are in the correct position in relation to the saw blade.
- Never remove the workpiece stop.
- Keep away from end pieces that fall down after sawing. They can be hot, sharp and/or heavy. This could result in serious injury.
- Ventilation openings often cover moving parts and should be kept free. Loose clothing, jewellery or long hair can get caught in the moving parts.

**⚠ WARNING!**

- ▶ The power tool creates an electromagnetic field during operation. This field can, in certain circumstances, impair active or passive medical implants. To reduce the risk of serious or fatal injury, we recommend that individuals with medical implants consult their physician and the manufacturer of the medical implant before operating the power tool.

**Original accessories/auxiliary equipment**

Only use the accessories and additional equipment that are specified in the operating instructions and compatible with the appliance.

**Before use****⚠ WARNING! RISK OF INJURY!**

Always remove the power plug from the wall socket before carrying out any work on the appliance.

**Assembly**

Note that all parts are pre-assembled. The instructions only apply to possible maintenance activities.

**Fitting the handle (pre-assembled)**

- ◆ Hold the handle **9** in the appropriate position (see pictures on fold-out page)
- ◆ Push the wing screw **10** through the handle **9** and housing and tighten it.

**Mounting the vice (pre-assembled)**

- ◆ Fasten the vice **16** in the corresponding holes on the back of the saw table using the 4 cylinder head screws with hex socket **17** supplied (see fig. C on the fold-out page). Use a 5 mm hex key (not supplied).

**Mounting the cutting angle adjustment on the saw table (pre-assembled)**

- ◆ Completely unscrew the screw **20** from the cutting angle adjustment **18**. Insert the screw **20** through the angle recess on the saw table **24** from below and retighten it using the cutting angle adjustment **18** (see fig. D on the fold-out page).
- ◆ Use a long wing screw **19** to fasten the swivel arm **22** through the other hole on the saw table **24** (see fig. D on the fold-out page).

### Mounting the band saw on the swivel arm

If you plan to operate the appliance using the saw table 24, proceed as follows:

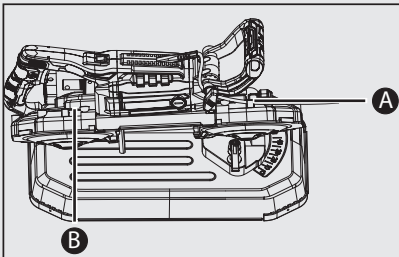
- ◆ Attach the swivel arm 22 using the 3 long wing screws 19 supplied in the corresponding holes of the appliance housing (see fig. E on the fold-out page).

#### NOTE

- ▶ It is possible that the nuts 21a are a little too tight on delivery. Loosen the nuts 21a a little with a 19 mm wrench.
- ▶ Tighten the nut 21a from time to time with a 19 mm wrench if the swivel arm 22 has too much play.

#### ⚠ WARNING!

- ▶ The band saw may only be used without the saw table 24 if the user has firm, steady footing. The workpiece must also be secured against slipping, for instance on a workbench.
- ▶ Make sure at all times that the power cord can not get near the saw blade.
- ▶ If you want to use the appliance with the saw table, attach the power cable with the cable holder A as shown in the following diagram:



- ▶ For any other use, the cable must be routed using the cable holders A B so that the cable can never get into the sawing/working area or any other hazardous area.

### Making settings

#### Adjusting the handle

- ◆ To adjust the handle 9, loosen the wing screw 10 on the handle.
- ◆ Turn the handle 9 to the required position.
- ◆ Retighten the wing screw 10.

#### Using the vice

- ◆ Turn the handle on the vice 15 clockwise to clamp the workpiece.
- ◆ Turn the handle on the vice 15 anticlockwise to unclamp the workpiece.

#### NOTE

- ▶ You can also flip the quick release 15a upwards in order to adjust the vice 16 setting more quickly. Fold the quick release 15a back down again to fix the vice 16 in place. After this, use the vice handle 15 to make fine adjustments.

#### Transport restraint

- ◆ To release the position, pull out the locking pin 21 so you can lower the band saw.
- ◆ Swivel the band saw downwards and push in the locking pin 21. Now you can easily transport the band saw together with the saw table.

#### Setting the cutting angle (mitre angle)

- ◆ Undo the cutting angle adjustment 18 by turning it anticlockwise.
- ◆ Set the required cutting angle using the angle provided.
- ◆ Retighten the cutting angle adjustment 18 by turning it clockwise.

### Adjusting the workpiece stop

- During normal operation, the workpiece stop ④ must be fixed in the lowest position.
- ◆ If the workpiece stop ④ gets in the way when sawing, you can undo the workpiece stop screw ⑤ to remove it. Use the supplied hex key ⑥ to do this. In this way, you can adjust the workpiece stop ④ upwards. Fix the workpiece stop ④ in place again using the workpiece stop screw ⑤.

### Changing the saw blade

#### **⚠ WARNING! RISK OF INJURY!**

- ▶ Wear protective gloves to avoid injury.

#### **NOTE**

- ▶ You can reorder saw blades via our service hotline.
- ◆ Release ⑧ the saw blade clamping lever ⑧ by turning it anticlockwise ↺.
- ◆ Remove the two locking screws ⑫ with the supplied small hex key ⑥. Remove the two protective covers ⑪.
- ◆ Carefully remove the saw blade ⑦. Start at the guide rollers ⑭ (see fig. B on the fold-out page).
- ◆ Remove any sawdust with a brush or compressed air.
- ◆ Slide the saw blade ⑦ into the guide rollers ⑭ with the saw teeth pointing upwards. Make sure that the guide rollers ⑭ completely grip the saw blade ⑦.

#### **NOTE**

- ▶ Make sure that the direction arrow on the saw blade ⑦ (if any) is the same as the one on the rubber wheels ⑬.

- ◆ Insert the saw blade ⑦ around the two rubber wheels.
- ◆ Retighten ⑧ the saw blade clamping lever ⑧ by turning it clockwise ↻ again.
- ◆ Replace the two protective covers ⑪.

#### **⚠ WARNING! RISK OF INJURY!**

- ▶ Only operate the appliance with the protective covers fitted ⑪!

- ◆ Perform a test run by briefly switching the appliance on and off a few times to determine whether the saw blade is correctly seated.

#### **⚠ WARNING! RISK OF INJURY!**

- ▶ Keep your body away from the sawing area during the test run!

## Use

### Switching the appliance on and off

#### Switching on

- ◆ Hold down the On/Off switch ③.

#### Switching off

- ◆ Release the On/Off switch ③.

### Switching the work lamp on and off

#### Switching on

- ◆ Move the light switch ① to position I. The work lamp ⑳ lights up.

#### Switching off

- ◆ Move the light switch ① to position 0. The work lamp ⑳ goes out.

### Setting rotational speed

- ◆ Adjust the speed setting wheel ② to a position between 1 and 6.

## Working procedures

- ◆ Secure the workpiece against slipping, e.g. with the vice **16** of the saw table.
- ◆ Use the weight of the saw when sawing. Do not exert any additional pressure.
- ◆ Wait until the saw has reached its full speed before carefully bringing it into contact with the workpiece.
- ◆ If the saw blade **7** blocks, switch off the appliance immediately.
- ◆ Do not twist the saw blade **7** while making the cut.
- ◆ Ensure that the appliance is always stable and secure. For extra safety, you can secure the appliance in a suitable location. There are 4 drill holes **25** in the housing foot that can be used for attachment to a secure and level surface. Feed a suitable fixing material that is appropriate for the surface (not supplied) through the 4 drill holes **25**. Fix the appliance to the surface using the fixing material.

### **WARNING! RISK OF INJURY!**

- ▶ Do not remove the workpiece until the saw has come to a standstill.

## Cleaning and maintenance

### **WARNING! RISK OF INJURY!**

- ▶ Always remove the power plug from the wall socket before carrying out any work on the appliance.
- Store the appliance and the saw blades in a dry and dust-free location.
- The appliance must always be clean and free of oil or grease.
- Use a soft, dry cloth to clean the housing.
- The carbon brushes should only be replaced by the service centre or an authorised specialist workshop.

- Never obstruct the ventilation openings.
- Remove any adhering sawdust with a brush.

### **NOTE**

- ▶ Unlisted replacement parts (such as carbon brushes, switches, saw blades) can be ordered via our service hotline.

## Disposal



The packaging is made from environmentally friendly material and can be disposed of at your local recycling plant.



### **Do not dispose of power tools in your normal domestic waste!**

European Directive 2012/19/EU requires that worn-out power tools be collected separately and recycled in an environmentally compatible manner.

Your local community or municipal authorities can provide information on how to dispose of the worn-out appliance.



Dispose of the packaging in an environmentally friendly manner. Note the labelling on the packaging and separate the packaging material components for disposal if necessary. The packaging material is labelled with abbreviations (a) and numbers (b) with the following meanings: 1–7: plastics, 20–22: paper and cardboard, 80–98: composites.



Your local community or municipal authorities can provide information on how to dispose of the worn-out product.



The product is recyclable, subject to extended producer responsibility and is collected separately.

## **Kompernass Handels GmbH warranty**

Dear Customer,

This appliance has a 3-year warranty valid from the date of purchase. If this product has any faults, you, the buyer, have certain statutory rights. Your statutory rights are not restricted in any way by the warranty described below.

### **Warranty conditions**

The warranty period starts on the date of purchase. Please keep your receipt in a safe place. This will be required as proof of purchase.

If any material or manufacturing fault occurs within three years of the date of purchase of the product, we will either repair or replace the product for you or refund the purchase price (at our discretion).

This warranty service requires that you present the defective appliance and the proof of purchase (receipt) within the three-year warranty period, along with a brief written description of the fault and of when it occurred.

If the defect is covered by the warranty, your product will either be repaired or replaced by us. The repair or replacement of a product does not signify the beginning of a new warranty period.

### **Warranty period and statutory claims for defects**

The warranty period is not prolonged by repairs effected under the warranty. This also applies to replaced and repaired components. Any damage and defects present at the time of purchase must be reported immediately after unpacking. Repairs carried out after expiry of the warranty period shall be subject to a fee.

### **Scope of the warranty**

This appliance has been manufactured in accordance with strict quality guidelines and inspected meticulously prior to delivery.

The warranty covers material faults or production faults. The warranty does not extend to product parts subject to normal wear and tear or to fragile parts which could be considered as consumable parts such as switches or parts made of glass.

The warranty does not apply if the product has been damaged, improperly used or improperly maintained. The directions in the operating instructions for the product regarding proper use of the product are to be strictly followed. Uses and actions that are discouraged in the operating instructions or which are warned against must be avoided.

This product is intended solely for private use and not for commercial purposes. The warranty shall be deemed void in cases of misuse or improper handling, use of force and modifications / repairs which have not been carried out by one of our authorised Service centres.

### **The warranty period does not apply to**

- Normal reduction of the battery capacity over time
- Commercial use of the product
- Damage to or alteration of the product by the customer
- Non-compliance with safety and maintenance instructions, operating errors
- Damage caused by natural hazards

### Warranty claim procedure

To ensure quick processing of your case, please observe the following instructions:

- Please have the till receipt and the item number (e.g. IAN 12345) available as proof of purchase.
- You will find the item number on the type plate on the product, an engraving on the product, on the front page of the operating instructions (below left) or on the sticker on the rear or bottom of the product.
- If functional or other defects occur, please contact the service department listed either by **telephone** or by **e-mail**.
- You can return a defective product to us free of charge to the service address that will be provided to you. Ensure that you enclose the proof of purchase (till receipt) and information about what the defect is and when it occurred.



You can download these instructions along with many other manuals, product videos and installation software at [www.lidl-service.com](http://www.lidl-service.com).

This QR code will take you directly to the Lidl service page ([www.lidl-service.com](http://www.lidl-service.com)) where you can open your operating instructions by entering the item number (IAN) 364705\_2101.

### WARNING!

- ▶ Have the appliances repaired by the Service Centre or a qualified electrician and only using genuine replacement parts. This will ensure that the safety of the appliance is maintained.
- ▶ Always ensure that the power plug and power cord are replaced only by the manufacturer of the appliance or its customer service. This will ensure that the safety of the appliance is maintained.

### Service

#### Service Great Britain

Tel.: 0800 404 7657

E-Mail: [kompernass@lidl.co.uk](mailto:kompernass@lidl.co.uk)

#### Service Ireland

Tel.: 1 890 930 034

(0,08 EUR/Min., (peak))

(0,06 EUR/Min., (off peak))

E-Mail: [kompernass@lidl.ie](mailto:kompernass@lidl.ie)

IAN 364705\_2101

### Importer

Please note that the following address is not the service address. Please use the service address provided in the operating instructions.

KOMPERNASS HANDELS GMBH

BURGSTRASSE 21

44867 BOCHUM

GERMANY

[www.kompernass.com](http://www.kompernass.com)

## Translation of the original Conformity Declaration

We, KOMPERNASS HANDELS GMBH, document officer: Mr Semi Uguzlu, BURGSTR. 21, 44867 BOCHUM, GERMANY, hereby declare that this product complies with the following standards, normative documents and EC directives:

**Machinery Directive**  
(2006/42/EC)

**Electromagnetic Compatibility**  
(2014/30/EU)

**RoHS Directive**  
(2011/65/EU)\*

\* The manufacturer bears the full responsibility for compliance with this conformity declaration. The object of the declaration described above complies with the requirements of the Directive 2011/65/EU of the European Parliament and Council of 8 June 2011 on the limitations of use of certain dangerous substances in electrical and electronic appliances.

### Applied harmonised standards

EN 60745-1:2009/A11:2010

EN 60745-2-20:2009

EN 55014-1:2017

EN 55014-2:2015

EN 61000-3-2:2014

EN 61000-3-3:2013

EN IEC 63000:2018

**Type/appliance designation:** Portable Metal Band Saw PMB 1100 B2

**Year of manufacture:** 04-2021

**Serial number:** IAN 364705\_2101

Bochum, 18/02/2021



Semi Uguzlu  
- Quality Manager -

We reserve the right to make technical changes in the context of further product development.



# Inhaltsverzeichnis

<b>Einleitung</b> .....	<b>14</b>
Bestimmungsgemäßer Gebrauch .....	14
Ausstattung .....	14
Lieferumfang .....	14
Technische Daten .....	14
<b>Allgemeine Sicherheitshinweise für Elektrowerkzeuge</b> .....	<b>15</b>
1. Arbeitsplatz-Sicherheit .....	15
2. Elektrische Sicherheit .....	16
3. Sicherheit von Personen .....	16
4. Verwendung und Behandlung des Elektrowerkzeugs .....	17
5. Service .....	17
Zusätzliche Sicherheitshinweise für Bandsägen .....	17
Originalzubehör/-zusatzgeräte .....	18
<b>Vor der Inbetriebnahme</b> .....	<b>18</b>
Montage .....	18
Einstellungen vornehmen .....	19
Sägeblatt wechseln .....	20
<b>Inbetriebnahme</b> .....	<b>20</b>
Gerät ein- und ausschalten .....	20
Arbeitsleuchte ein- und ausschalten .....	20
Drehzahl einstellen .....	20
Arbeitshinweise .....	21
<b>Reinigung und Wartung</b> .....	<b>21</b>
<b>Entsorgung</b> .....	<b>21</b>
<b>Garantie der Kompernaß Handels GmbH</b> .....	<b>22</b>
<b>Service</b> .....	<b>23</b>
<b>Importeur</b> .....	<b>23</b>
<b>Original-Konformitätserklärung</b> .....	<b>24</b>

## METALLBANDSÄGE PMB 1100 B2

### Einleitung

Wir beglückwünschen Sie zum Kauf Ihres neuen Gerätes. Sie haben sich damit für ein hochwertiges Produkt entschieden. Die Betriebsanleitung ist Teil dieses Produkts. Sie enthält wichtige Hinweise für Sicherheit, Gebrauch und Entsorgung. Machen Sie sich vor der Benutzung des Produkts mit allen Bedien- und Sicherheitshinweisen vertraut. Benutzen Sie das Produkt nur wie beschrieben und für die angegebenen Einsatzbereiche. Händigen Sie alle Unterlagen bei Weitergabe des Produkts an Dritte mit aus.

### Bestimmungsgemäßer Gebrauch

Das Gerät ist vornehmlich zum Sägen von Metallrohren oder Profilen bestimmt.

Jede andere Verwendung oder Veränderung des Gerätes gilt als nicht bestimmungsgemäß und birgt erhebliche Unfallgefahren.

Verwenden Sie das Gerät nicht zu gewerblichen Zwecken.

### Ausstattung

- 1 Lichtschalter
- 2 Drehzahl-Stellrad
- 3 Ein-/Ausschalter
- 4 Werkstückanschlag
- 5 Werkstückanschlag-Schrauben
- 6 Innensechskantschlüssel klein
- 7 Sägeblatt
- 8 Sägeblatt-Spannhebel

### Abbildung A

- 9 Handgriff
- 10 Flügelschraube am Handgriff
- 11 Schutzabdeckungen
- 12 Sicherungsschrauben

### Abbildung B

- 13 Gummiräder
- 14 Führungsrollen

### Abbildung C

- 15 Handgriff am Schraubstock
- 15a Schnellverstellung
- 16 Schraubstock
- 17 Zylinderkopfschrauben mit Innensechskant

### Abbildung D

- 18 Schnittwinkelverstellung
- 19 lange Flügelschraube
- 20 Schraube von der Schnittwinkelverstellung
- 21 Sicherungsstift
- 21a Mutter
- 22 Schwenkarm

### Abbildung E

- 23 Arbeitsleuchte
- 24 Sägetisch
- 25 Bohrungen

### Lieferumfang

- 1 Metallbandsäge
- 1 Sägetisch (vormontiert)
- 4 Flügelschrauben lang (vormontiert)
- 4 Zylinderkopfschrauben mit Innensechskant (vormontiert)
- 1 Innensechskantschlüssel klein (4 mm)
- 1 Innensechskantschlüssel groß (6 mm)
- 1 Betriebsanleitung

### Technische Daten

Bemessungsspannung	230 V ~, 50 Hz (Wechselstrom)
Bemessungsaufnahme	1100 W
Schnittbreite bei 90°	127 mm x 127 mm (ohne Sägetisch)
Schnittbreite bei 45°	127 mm x 40 mm (ohne Sägetisch)
Bemessungs- Leerlaufdrehzahl	$n_0$ 0–290 min <sup>-1</sup>
Sägebandgeschwindigkeit	0–2,4 m/s
Neigungsschnitte	0°–45°
Schutzklasse	II/□ (Doppelisolierung)

### Geräuschemissionswert

Messwert für Geräusch ermittelt entsprechend EN 60745. Der A-bewertete Geräuschpegel des Elektrowerkzeugs beträgt typischerweise:

Schalldruckpegel	$L_{PA} = 90,7 \text{ dB (A)}$
Unsicherheit K	$K_{PA} = 3 \text{ dB}$
Schallleistungspegel	$L_{WA} = 101,7 \text{ dB (A)}$
Unsicherheit K	$K_{WA} = 3 \text{ dB}$



**Gehörschutz tragen!**



**Vor der Inbetriebnahme die Bedienungsanleitung lesen!**

### Schwingungsgesamtwerte

(Vektorsumme dreier Richtungen) ermittelt entsprechend EN 60745:

Sägen von Metall	$a_{h,CM} = 6,94 \text{ m/s}^2$
Unsicherheit	$K = 1,5 \text{ m/s}^2$
Sägen von Holz	$a_{h,CW} = 6,25 \text{ m/s}^2$
Unsicherheit	$K = 1,5 \text{ m/s}^2$

### HINWEIS

- ▶ Die angegebenen Schwingungsgesamtwerte und die angegebenen Geräuschemissionswerte sind nach einem genormten Prüfverfahren gemessen worden und können zum Vergleich eines Elektrowerkzeugs mit einem anderen verwendet werden.
- ▶ Die angegebenen Schwingungsgesamtwerte und die angegebenen Geräuschemissionswerte können auch zu einer vorläufigen Einschätzung der Belastung verwendet werden.

### ! WARNUNG!

- ▶ Die Schwingungs- und Geräuschemissionen können während der tatsächlichen Benutzung des Elektrowerkzeugs von den Angabewerten abweichen, abhängig von der Art und Weise, in der das Elektrowerkzeug verwendet wird, insbesondere, welche Art von Werkstück bearbeitet wird.

### ! WARNUNG!

- ▶ Versuchen Sie, die Belastung so gering wie möglich zu halten. Beispielhafte Maßnahmen zur Verringerung der Vibrationsbelastung sind das Tragen von Handschuhen beim Gebrauch des Werkzeugs und die Begrenzung der Arbeitszeit. Dabei sind alle Anteile des Betriebszyklus zu berücksichtigen (beispielsweise Zeiten, in denen das Elektrowerkzeug abgeschaltet ist, und solche, in denen es zwar eingeschaltet ist, aber ohne Belastung läuft).



## Allgemeine Sicherheitshinweise für Elektrowerkzeuge

### ! WARNUNG!

- ▶ Lesen Sie alle Sicherheitshinweise und Anweisungen. Versäumnisse bei der Einhaltung der Sicherheitshinweise und Anweisungen können elektrischen Schlag, Brand und/oder schwere Verletzungen verursachen.

### Bewahren Sie alle Sicherheitshinweise und Anweisungen für die Zukunft auf.

Der in den Sicherheitshinweisen verwendete Begriff „Elektrowerkzeug“ bezieht sich auf netzbetriebene Elektrowerkzeuge (mit Netzkabel) und auf akkubetriebene Elektrowerkzeuge (ohne Netzkabel).

## 1. Arbeitsplatz-Sicherheit

- Halten Sie Ihren Arbeitsbereich sauber und gut beleuchtet. Unordnung und unbeleuchtete Arbeitsbereiche können zu Unfällen führen.
- Arbeiten Sie mit dem Elektrowerkzeug nicht in explosionsgefährdeter Umgebung, in der sich brennbare Flüssigkeiten, Gase oder Stäube befinden. Elektrowerkzeuge erzeugen Funken, die den Staub oder die Dämpfe entzünden können.
- Halten Sie Kinder und andere Personen während der Benutzung des Elektrowerkzeugs fern. Bei Ablenkung können Sie die Kontrolle über das Gerät verlieren.

## 2. Elektrische Sicherheit

- a) Der Anschlussstecker des Elektrowerkzeuges muss in die Steckdose passen. Der Stecker darf in keiner Weise verändert werden. Verwenden Sie keine Adapterstecker gemeinsam mit schutzgeerdeten Elektrowerkzeugen. Unveränderte Stecker und passende Steckdosen verringern das Risiko eines elektrischen Schlag.
- b) Vermeiden Sie Körperkontakt mit geerdeten Oberflächen, wie von Rohren, Heizungen, Herden und Kühlschränken. Es besteht ein erhöhtes Risiko durch elektrischen Schlag, wenn Ihr Körper geerdet ist.
- c) Halten Sie Elektrowerkzeuge von Regen oder Nässe fern. Das Eindringen von Wasser in ein Elektrogerät erhöht das Risiko eines elektrischen Schlag.
- d) Zweckentfremden Sie das Kabel nicht, um das Elektrowerkzeug zu tragen, aufzuhängen oder um den Stecker aus der Steckdose zu ziehen. Halten Sie das Kabel fern von Hitze, Öl, scharfen Kanten oder sich bewegenden Geräteteilen. Beschädigte oder verwickelte Kabel erhöhen das Risiko eines elektrischen Schlag.
- e) Wenn Sie mit einem Elektrowerkzeug im Freien arbeiten, verwenden Sie nur Verlängerungskabel, die auch für den Außenbereich zugelassen sind. Die Anwendung eines für den Außenbereich geeigneten Verlängerungskabels verringert das Risiko eines elektrischen Schlag.
- f) Wenn der Betrieb des Elektrowerkzeuges in feuchter Umgebung nicht vermeidbar ist, verwenden Sie einen Fehlerstromschutzschalter. Der Einsatz eines Fehlerstromschutzschalters vermindert das Risiko eines elektrischen Schlag.

## 3. Sicherheit von Personen

- a) Seien Sie stets aufmerksam, achten Sie darauf, was Sie tun und gehen Sie mit Vernunft an die Arbeit mit einem Elektrowerkzeug. Benutzen Sie kein Elektrowerkzeug, wenn Sie müde sind oder unter dem Einfluss von Drogen, Alkohol oder Medikamenten stehen. Ein Moment der Unachtsamkeit beim Gebrauch des Elektrowerkzeuges kann zu ernsthaften Verletzungen führen.
- b) Tragen Sie persönliche Schutzausrüstung und immer eine Schutzbrille. Das Tragen persönlicher Schutzausrüstung wie Staubmaske, rutschfeste Sicherheitsschuhe, Schutzhelm oder Gehörschutz, je nach Art und Einsatz des Elektrowerkzeuges, verringert das Risiko von Verletzungen.
- c) Vermeiden Sie eine unbeabsichtigte Inbetriebnahme. Vergewissern Sie sich, dass das Elektrowerkzeug ausgeschaltet ist, bevor Sie es an die Stromversorgung und/oder den Akku anschließen, es aufnehmen oder tragen. Wenn Sie beim Tragen des Elektrowerkzeuges den Finger am Schalter haben oder das Gerät bereits eingeschaltet an die Stromversorgung anschließen, kann dies zu Unfällen führen.
- d) Entfernen Sie Einstellwerkzeuge oder Schraubenschlüssel, bevor Sie das Elektrowerkzeug einschalten. Ein Werkzeug oder Schlüssel, der sich in einem drehenden Geräteteil befindet, kann zu Verletzungen führen.
- e) Vermeiden Sie eine abnormale Körperhaltung. Sorgen Sie für einen sicheren Stand und halten Sie jederzeit das Gleichgewicht. Dadurch können Sie das Elektrowerkzeug in unerwarteten Situationen besser kontrollieren.
- f) Tragen Sie geeignete Kleidung. Tragen Sie keine weite Kleidung oder Schmuck. Halten Sie Haare, Kleidung und Handschuhe fern von sich bewegenden Teilen. Lockere Kleidung, Schmuck oder lange Haare können von sich bewegenden Teilen erfasst werden.
- g) Wenn Staubabsaug- und -auffangeinrichtungen montiert werden können, vergewissern Sie sich, dass diese angeschlossen sind und richtig verwendet werden. Die Verwendung einer Staubabsaugung kann Gefährdungen durch Staub verringern.

## 4. Verwendung und Behandlung des Elektrowerkzeugs

- a) Überlasten Sie das Gerät nicht. Verwenden Sie für Ihre Arbeit das dafür bestimmte Elektrowerkzeug. Mit dem passenden Elektrowerkzeug arbeiten Sie besser und sicherer im angegebenen Leistungsbereich.
- b) Benutzen Sie kein Elektrowerkzeug, dessen Schalter defekt ist. Ein Elektrowerkzeug, das sich nicht mehr ein- oder ausschalten lässt, ist gefährlich und muss repariert werden.
- c) Ziehen Sie den Stecker aus der Steckdose und/oder entfernen Sie den Akku, bevor Sie Geräteeinstellungen vornehmen, Zubehörteile wechseln oder das Gerät weglegen. Diese Vorsichtsmaßnahme verhindert den unbeabsichtigten Start des Elektrowerkzeugs.
- d) Bewahren Sie unbenutzte Elektrowerkzeuge außerhalb der Reichweite von Kindern auf. Lassen Sie Personen das Gerät nicht benutzen, die mit diesem nicht vertraut sind oder diese Anweisungen nicht gelesen haben. Elektrowerkzeuge sind gefährlich, wenn sie von unerfahrenen Personen benutzt werden.
- e) Pflegen Sie Elektrowerkzeuge mit Sorgfalt. Kontrollieren Sie, ob bewegliche Teile einwandfrei funktionieren und nicht klemmen, ob Teile gebrochen oder so beschädigt sind, dass die Funktion des Elektrowerkzeuges beeinträchtigt ist. Lassen Sie beschädigte Teile vor dem Einsatz des Gerätes reparieren. Viele Unfälle haben ihre Ursache in schlecht gewarteten Elektrowerkzeugen.
- f) Halten Sie Schneidwerkzeuge scharf und sauber. Sorgfältig gepflegte Schneidwerkzeuge mit scharfen Schneidkanten verklemmen sich weniger und sind leichter zu führen.
- g) Verwenden Sie Elektrowerkzeug, Zubehör, Einsatzwerkzeuge usw. entsprechend diesen Anweisungen. Berücksichtigen Sie dabei die Arbeitsbedingungen und die auszuführende Tätigkeit. Der Gebrauch von Elektrowerkzeugen für andere als die vorgesehenen Anwendungen kann zu gefährlichen Situationen führen.

## 5. Service

- a) Lassen Sie Ihr Elektrowerkzeug nur von qualifiziertem Fachpersonal und nur mit Original-Ersatzteilen reparieren. Damit wird sichergestellt, dass die Sicherheit des Elektrowerkzeugs erhalten bleibt.

### Zusätzliche Sicherheitshinweise für Bandsägen

- Halten Sie das Gerät an den isolierten Griffflächen, wenn Sie Arbeiten ausführen, bei denen das Schneidwerkzeug in Kontakt mit verborgenen Leitungen oder seiner Anschlussleitung kommen könnte. Der Kontakt der Schneidwerkzeuge mit einer spannungsführenden Leitung kann auch metallene Geräteteile unter Spannung setzen und zu einem elektrischen Schlag führen.
- Halten Sie Ihre Hände vom Sägebereich und Sägeblatt fern.
- Achten Sie vor der Verwendung immer darauf, dass die tragbare Bandsäge sauber ist.
- Stellen Sie immer sofort den Betrieb ein, wenn Sie irgendetwas Ungewöhnliches bemerken.
- Stellen Sie vor der Verwendung des Werkzeugs immer sicher, dass alle Komponenten ordnungsgemäß und sicher montiert sind.
- Seien Sie immer vorsichtig, wenn Sie das Bandsägeblatt anbringen oder entfernen.
- Halten Sie Ihre Hände immer dem Schnittweg des Bandsägeblattes fern.
- Warten Sie vor dem Sägen immer, bis der Motor die volle Drehzahl erreicht hat.
- Halten Sie die Griffe immer trocken, sauber und frei von Öl und Fett. Halten Sie das Werkzeug während der Arbeit gut fest.
- Seien Sie immer wachsam, vor allem auch bei sich wiederholenden, monotonen Operationen. Achten Sie immer auf die richtige Position der Hände im Verhältnis zum Sägeblatt.

- Entfernen Sie niemals den Werkstückanschlag.
- Halten Sie sich von Endstücken fern, die nach dem Sägen herunterfallen. Sie können heiß, scharf und/oder schwer sein. Dies könnte zu schweren Verletzungen führen.
- Luftöffnungen decken häufig bewegliche Teile ab und sollten freigehalten werden. Lose sitzende Kleidung, Schmuck oder lange Haare können sich in den beweglichen Teilen verfangen.

**! WARNUNG!**

- ▶ Dieses Elektrowerkzeug erzeugt während des Betriebs ein elektromagnetisches Feld. Dieses Feld kann unter bestimmten Umständen aktive oder passive medizinische Implantate beeinträchtigen. Um die Gefahr von ernsthaften oder tödlichen Verletzungen zu verringern, empfehlen wir Personen mit medizinischen Implantaten ihren Arzt und den Hersteller vom medizinischen Implantat zu konsultieren, bevor das Elektrowerkzeug bedient wird.

**Originalzubehör/-zusatzgeräte**

Benutzen Sie nur Zubehör und Zusatzgeräte, die in der Bedienungsanleitung angegeben sind bzw. deren Aufnahme mit dem Gerät kompatibel ist.

**Vor der Inbetriebnahme**

**! WARNUNG! VERLETZUNGSGEFAHR!**



Ziehen Sie den Netzstecker immer aus der Steckdose, bevor Sie Arbeiten am Gerät durchführen.

**Montage**

Beachten Sie, dass alle Teile vormontiert sind. Die Anweisungen dienen nur zu eventuellen Wartungsarbeiten.

**Handgriff montieren (vormontiert)**

- ◆ Halten Sie den Handgriff **9** an der entsprechenden Stelle in Position (siehe Bilder Ausklappseite)
- ◆ Schieben Sie die Flügelschraube **10** durch Handgriff **9** und Gehäuse und drehen Sie sie fest.

**Schraubstock montieren (vormontiert)**

- ◆ Befestigen Sie den Schraubstock **16** mithilfe der mitgelieferten 4 Zylinderkopfschrauben mit Innensechskant **17** in den entsprechenden Bohrungen auf der Rückseite des Sägebretts (siehe Abb. C auf der Ausklappseite). Benutzen Sie dafür einen 5 mm Innensechskantschlüssel (nicht mitgeliefert).

**Schnittwinkelverstellung an Sägebrett montieren (vormontiert)**

- ◆ Lösen Sie vollständig die Schraube **20** von der Schnittwinkelverstellung **18**. Stecken Sie die Schraube **20** von unten durch die Winkel-Aussparung auf dem Sägebrett **24** und ziehen Sie sie mit Hilfe der Schnittwinkelverstellung **18** wieder fest (siehe Abb. D auf der Ausklappseite).
- ◆ Befestigen Sie mit einer langen Flügelschraube **19** den Schwenkarm **22** durch die andere Bohrung am Sägebrett **24** (siehe Abb. D auf der Ausklappseite).

### Bandsäge an Schwenkarm montieren

Falls Sie das Gerät mithilfe des Sägetischs **24** verwenden möchten, gehen Sie wie folgt vor:

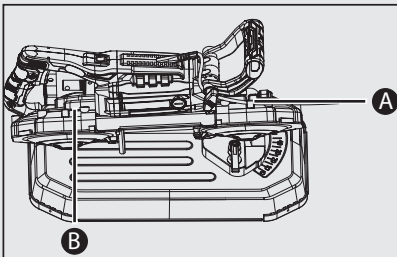
- ◆ Befestigen Sie den Schwenkarm **22** mithilfe der mitgelieferten 3 langen Flügelschrauben **19** in den entsprechenden Bohrungen des Gerätegehäuses (siehe Abb. E auf der Ausklappseite).

#### HINWEIS

- ▶ Im Auslieferungszustand kann die Mutter **21a** zu fest angezogen sein. Lockern Sie die Mutter **21a** etwas mit einem 19er Schraubenschlüssel.
- ▶ Ziehen Sie von Zeit zu Zeit die Mutter **21a** mit einem 19er Schraubenschlüssel fest, falls der Schwenkarm **22** zu viel Spiel hat.

#### ⚠ WARNUNG!

- ▶ Die Bandsäge darf nur ohne Sägetisch **24** verwendet werden, wenn der Benutzer einen sicheren, ruhigen Stand einnimmt. Außerdem muss das Werkstück gegen Verschieben auf einer Werkbank gesichert werden.
- ▶ Stellen Sie jederzeit sicher, dass das Netzkabel nicht in die Nähe des Sägeblatts geraten kann.
- ▶ Falls Sie das Gerät mit dem Sägetisch verwenden möchten, befestigen Sie das Netzkabel mit dem Kabelhalter **A**, wie im folgenden Bild dargestellt:



- ▶ Bei jeder anderen Verwendung ist die Kabelführung mithilfe der Kabelhalter **A** **B** so zu gestalten, dass das Kabel niemals in den Säge-/Arbeits- oder einen anderen Gefahrenbereich geraten kann.

### Einstellungen vornehmen

#### Handgriff verstellen

- ◆ Um den Handgriff **9** zu verstellen, lösen Sie die Flügelschraube **10** am Handgriff.
- ◆ Drehen Sie den Handgriff **9** in die gewünschte Position.
- ◆ Ziehen Sie die Flügelschraube **10** wieder fest.

#### Schraubstock verwenden

- ◆ Drehen Sie den Handgriff am Schraubstock **15** in Uhrzeigerichtung, um das Werkstück einzuspannen.
- ◆ Drehen Sie den Handgriff am Schraubstock **15** gegen die Uhrzeigerichtung, um das Werkstück zu lösen.

#### HINWEIS

- ▶ Sie können auch die Schnellverstellung **15a** nach oben klappen, um die Einstellung des Schraubstocks **16** schneller vorzunehmen. Klappen Sie die Schnellverstellung **15a** wieder nach unten, um den Schraubstock **16** zu fixieren. Nehmen Sie anschließend die Feinjustierung mit dem Handgriff des Schraubstocks **15** vor.

#### Transportsicherung

- ◆ Ziehen Sie den Sicherungsstift **21** heraus, um die Bandsäge nach oben schwenken zu können.
- ◆ Schwenken Sie die Bandsäge nach unten und drücken Sie den Sicherungsstift **21** hinein. Nun können Sie die Bandsäge mit dem Sägetisch einfacher transportieren.

### Schnittwinkel einstellen (Gehrungswinkel)

- ◆ Lösen Sie die Schnittwinkelverstellung **13** indem Sie sie gegen den Uhrzeigersinn drehen.
- ◆ Stellen Sie den gewünschten Schnittwinkel mithilfe der angegebenen Gradzahlen ein.
- ◆ Drehen Sie die Schnittwinkelverstellung **13** im Uhrzeigersinn fest.

### Werkstückanschlag einstellen

- Im Normalbetrieb muss der Werkstückanschlag **4** in der untersten Position fixiert sein.
- ◆ Sollte der Werkstückanschlag **4** beim Sägen hinderlich sein, können Sie die Werkstückanschlag-Schraube **5** lösen. Benutzen Sie dazu den mitgelieferten Innensechskantschlüssel klein **6**. So können Sie den Werkstückanschlag **4** nach oben verschieben. Fixieren Sie den Werkstückanschlag **4** anschließend wieder mit der Werkstückanschlag-Schraube **5**.

### Sägeblatt wechseln

#### **! WARNUNG! VERLETZUNGSGEFAHR!**

- ▶ Tragen Sie Schutzhandschuhe, um Verletzungen zu vermeiden.

#### **HINWEIS**

- ▶ Sägeblätter können Sie über unsere Service-Hotline nachbestellen.
- ◆ Lösen **7** Sie den Sägeblatt-Spannhebel **8** entgegen dem Uhrzeigersinn **C**.
- ◆ Lösen Sie die beiden Sicherungsschrauben **12** mit dem Innensechskantschlüssel klein **6**.
- ◆ Nehmen Sie die beiden Schutzabdeckungen **11** ab.
- ◆ Entnehmen Sie vorsichtig das Sägeblatt **7**. Beginnen Sie an den Führungsrollen **14** (siehe Abb. B auf der Ausklappseite).
- ◆ Entfernen Sie eventuell vorhandene Sägespäne mit einem Pinsel oder Druckluft.
- ◆ Schieben Sie das Sägeblatt **7** mit den Sägezähnen nach oben in die Führungsrollen **14**. Achten Sie darauf, dass die Führungsrollen **14** vollständig das Sägeblatt **7** greifen.

#### **HINWEIS**

- ▶ Achten Sie darauf, dass der Richtungspfeil auf dem Sägeblatt **7** (sofern vorhanden) mit dem auf den Gummirädern **13** übereinstimmt.
- ◆ Legen Sie das Sägeblatt **7** um die beiden Gummiräder.
- ◆ Ziehen Sie den Sägeblatt-Spannhebel **8** wieder im Uhrzeigersinn **C** fest **7**.
- ◆ Montieren Sie wieder die beiden Schutzabdeckungen **11**.

#### **! WARNUNG! VERLETZUNGSGEFAHR!**

- ▶ **Betreiben Sie das Gerät nur mit montierten Schutzabdeckungen **11**!**
- ◆ Führen Sie einen Testlauf durch, in dem Sie das Gerät ein paar Mal kurz an- und ausschalten, um festzustellen, ob das Sägeblatt korrekt sitzt.

#### **! WARNUNG! VERLETZUNGSGEFAHR!**

- ▶ Halten Sie ihren Körper während des Testdurchlaufs vom Sägebereich fern!

## Inbetriebnahme

### Gerät ein- und ausschalten

#### Einschalten

- ◆ Halten Sie den Ein-/Ausschalter **3** gedrückt.

#### Ausschalten

- ◆ Lassen Sie den Ein-/Ausschalter **3** los.

### Arbeitsleuchte ein- und ausschalten

#### Einschalten

- ◆ Stellen Sie den Lichtschalter **1** in die Position I. Die Arbeitsleuchte **23** leuchtet.

#### Ausschalten

- ◆ Stellen Sie den Lichtschalter **1** in die Position O. Die Arbeitsleuchte **23** erlischt.

### Drehzahl einstellen

- ◆ Stellen Sie das Drehzahl-Stellrad **2** auf eine Position zwischen 1 und 6.



## Arbeitshinweise

- ◆ Sichern Sie das Werkstück gegen verrutschen, z. B. mit dem Schraubstock **16** des Sägetisches.
- ◆ Benutzen Sie beim Sägen das Eigengewicht der Säge. Üben Sie keinen zusätzlichen Druck aus.
- ◆ Warten Sie bis die Säge ihre volle Drehzahl erreicht hat, bevor Sie sie vorsichtig mit dem Werkstück in Kontakt bringen.
- ◆ Sollte das Sägeblatt **7** blockieren, schalten Sie das Gerät sofort aus.
- ◆ Verdrehen Sie das Sägeblatt **7** nicht während des Schnitts.
- ◆ Achten Sie auf einen stabilen und sicheren Stand des Gerätes. Das Gerät können Sie zur Sicherheit an einem geeigneten Platz fixieren. Zur Befestigung auf einer festen und ebenen Unterlage sind im Gehäusefuß 4 Bohrungen **25** vorhanden. Führen Sie dazu geeignetes, der Unterlage entsprechendes Befestigungsmaterial (nicht im Lieferumfang enthalten) durch die 4 Bohrungen **25**. Fixieren Sie mit dem Befestigungsmaterial das Gerät an der Unterlage.

### **WARNUNG! VERLETZUNGSGEFAHR!**

- ▶ Entfernen Sie das Werkstück erst nachdem die Säge zum Stillstand gekommen ist.

## Reinigung und Wartung

### **WARNUNG! VERLETZUNGSGEFAHR!**

- ▶ Ziehen Sie den Netzstecker immer aus der Steckdose, bevor Sie Arbeiten am Gerät durchführen.
- Bewahren Sie das Gerät und die Sägeblätter an einem trockenen und staubgeschützten Ort auf.
- Das Gerät muss stets sauber und frei von Öl oder Schmierfetten sein.
- Verwenden Sie zum Reinigen des Gehäuses ein trockenes Tuch.

- Lassen Sie den Austausch der Kohlebürsten ausschließlich durch die Servicestelle oder eine anerkannte Fachwerkstatt durchführen.
- Lüftungsöffnungen müssen immer frei sein.
- Entfernen Sie anhaftenden Sägestaub mit einem Pinsel.

### **HINWEIS**

- ▶ Nicht aufgeführte Ersatzteile (wie z. B. Kohlebürsten, Schalter, Sägeblätter) können Sie über unsere Service-Hotline bestellen.

## Entsorgung



Die Verpackung besteht aus umweltfreundlichen Materialien, die Sie über die örtlichen Recyclingstellen entsorgen können.



### **Werfen Sie Elektrowerkzeuge nicht in den Hausmüll!**

Gemäß Europäischer Richtlinie 2012/19/EU müssen verbrauchte Elektrowerkzeuge getrennt gesammelt und einer umweltgerechten Wiederverwertung zugeführt werden.



Entsorgen Sie die Verpackung umweltgerecht. Beachten Sie die Kennzeichnung auf den verschiedenen Verpackungsmaterialien und trennen Sie diese gegebenenfalls gesondert. Die Verpackungsmaterialien sind gekennzeichnet mit Abkürzungen (a) und Ziffern (b) mit folgender Bedeutung: 1–7: Kunststoffe, 20–22: Papier und Pappe, 80–98: Verbundstoffe.



Möglichkeiten zur Entsorgung des ausgedienten Produkts erfahren Sie bei Ihrer Gemeinde- oder Stadtverwaltung.



Das Produkt ist recycelbar, unterliegt einer erweiterten Herstellerverantwortung und wird getrennt gesammelt.

## **Garantie der Kompernaß Handels GmbH**

Sehr geehrte Kundin, sehr geehrter Kunde,

Sie erhalten auf dieses Gerät 3 Jahre Garantie ab Kaufdatum. Im Falle von Mängeln dieses Produkts stehen Ihnen gegen den Verkäufer des Produkts gesetzliche Rechte zu. Diese gesetzlichen Rechte werden durch unsere im Folgenden dargestellte Garantie nicht eingeschränkt.

### **Garantiebedingungen**

Die Garantiefrist beginnt mit dem Kaufdatum. Bitte bewahren Sie den Kassenbonn gut auf. Dieser wird als Nachweis für den Kauf benötigt.

Tritt innerhalb von drei Jahren ab dem Kaufdatum dieses Produkts ein Material- oder Fabrikationsfehler auf, wird das Produkt von uns – nach unserer Wahl – für Sie kostenlos repariert, ersetzt oder der Kaufpreis erstattet. Diese Garantieleistung setzt voraus, dass innerhalb der Dreijahresfrist das defekte Gerät und der Kaufbeleg (Kassenbonn) vorgelegt und schriftlich kurz beschrieben wird, worin der Mangel besteht und wann er aufgetreten ist.

Wenn der Defekt von unserer Garantie gedeckt ist, erhalten Sie das reparierte oder ein neues Produkt zurück. Mit Reparatur oder Austausch des Produkts beginnt kein neuer Garantiezeitraum.

### **Garantiezeit und gesetzliche Mängelansprüche**

Die Garantiezeit wird durch die Gewährleistung nicht verlängert. Dies gilt auch für ersetzte und reparierte Teile. Eventuell schon beim Kauf vorhandene Schäden und Mängel müssen sofort nach dem Auspacken gemeldet werden. Nach Ablauf der Garantiezeit anfallende Reparaturen sind kostenpflichtig.

### **Garantieumfang**

Das Gerät wurde nach strengen Qualitätsrichtlinien sorgfältig produziert und vor Auslieferung gewissenhaft geprüft.

Die Garantieleistung gilt für Material- oder Fabrikationsfehler. Diese Garantie erstreckt sich nicht auf Produktteile, die normaler Abnutzung ausgesetzt sind und daher als Verschleißteile angesehen werden können oder für Beschädigungen an zerbrechlichen Teilen, z. B. Schalter oder Teile, die aus Glas gefertigt sind.

Diese Garantie verfällt, wenn das Produkt beschädigt, nicht sachgemäß benutzt oder gewartet wurde. Für eine sachgemäße Benutzung des Produkts sind alle in der Bedienungsanleitung aufgeführten Anweisungen genau einzuhalten. Verwendungszwecke und Handlungen, von denen in der Bedienungsanleitung abgeraten oder vor denen gewarnt wird, sind unbedingt zu vermeiden.

Das Produkt ist nur für den privaten und nicht für den gewerblichen Gebrauch bestimmt. Bei missbräuchlicher und unsachgemäßer Behandlung, Gewaltanwendung und bei Eingriffen, die nicht von unserer autorisierten Serviceniederlassung vorgenommen wurden, erlischt die Garantie.

### **Garantiezeit gilt nicht bei**

- normaler Abnutzung der Akkukapazität
- gewerblichen Gebrauch des Produktes
- Beschädigung oder Veränderung des Produktes durch den Kunden
- Missachtung der Sicherheits- und Wartungsvorschriften, Bedienungsfehler
- Schäden durch Elementarereignisse

## Abwicklung im Garantiefall

Um eine schnelle Bearbeitung Ihres Anliegens zu gewährleisten, folgen Sie bitte den folgenden Hinweisen:

- Bitte halten Sie für alle Anfragen den Kassenbon und die Artikelnummer (z. B. IAN 123456) als Nachweis für den Kauf bereit.
- Die Artikelnummer entnehmen Sie bitte dem Typenschild am Produkt, einer Gravur am Produkt, dem Titelblatt der Bedienungsanleitung (unten links) oder dem Aufkleber auf der Rück- oder Unterseite des Produktes.
- Sollten Funktionsfehler oder sonstige Mängel auftreten, kontaktieren Sie zunächst die nachfolgend benannte Serviceabteilung **telefonisch** oder per **E-Mail**.
- Ein als defekt erfasstes Produkt können Sie dann unter Beifügung des Kaufbelegs (Kassenbon) und der Angabe, worin der Mangel besteht und wann er aufgetreten ist, für Sie portofrei an die Ihnen mitgeteilte Serviceanschrift übersenden.



Auf [www.lidl-service.com](http://www.lidl-service.com) können Sie diese und viele weitere Handbücher, Produktvideos und Installationssoftware herunterladen.

Mit diesem QR-Code gelangen Sie direkt auf die Lidl-Service-Seite ([www.lidl-service.com](http://www.lidl-service.com)) und können mittels der Eingabe der Artikelnummer (IAN) 364705\_2101 Ihre Bedienungsanleitung öffnen.

### **WARNUNG!**

- ▶ Lassen Sie Ihre Geräte von der Servicestelle oder einer Elektrofachkraft und nur mit Original-Ersatzteilen reparieren. Damit wird sichergestellt, dass die Sicherheit des Gerätes erhalten bleibt.
- ▶ Lassen Sie den Austausch des Steckers oder der Netzleitung immer vom Hersteller des Gerätes oder seinem Kundendienst ausführen. Damit wird sichergestellt, dass die Sicherheit des Gerätes erhalten bleibt.

## Service

### **DE** Service Deutschland

Tel.: 0800 5435 111 (kostenfrei aus dem dt. Festnetz/Mobilfunknetz)  
E-Mail: [kompernass@lidl.de](mailto:kompernass@lidl.de)

### **AT** Service Österreich

Tel.: 0820 201 222 (0,15 EUR/Min.)  
E-Mail: [kompernass@lidl.at](mailto:kompernass@lidl.at)

### **CH** Service Schweiz

Tel.: 0842 665566 (0,08 CHF/Min., Mobilfunk max. 0,40 CHF/Min.)  
E-Mail: [kompernass@lidl.ch](mailto:kompernass@lidl.ch)

**IAN 364705\_2101**

## Importeur

Bitte beachten Sie, dass die folgende Anschrift keine Serviceanschrift ist. Kontaktieren Sie zunächst die benannte Servicestelle.

KOMPERNASS HANDELS GMBH

BURGSTRASSE 21

44867 BOCHUM

DEUTSCHLAND

[www.kompernass.com](http://www.kompernass.com)

## Original-Konformitätserklärung

Wir, KOMPERNASS HANDELS GMBH, Dokumentenverantwortlicher: Herr Semi Uguzlu, BURGSTR. 21, 44867 BOCHUM, DEUTSCHLAND, erklären hiermit, dass dieses Produkt mit den folgenden Normen, normativen Dokumenten und EG-Richtlinien übereinstimmt:

**Maschinenrichtlinie**  
(2006/42/EG)

**Elektromagnetische Verträglichkeit**  
(2014/30/EU)

**RoHS-Richtlinie**  
(2011/65/EU)\*

\* Die alleinige Verantwortung für die Ausstellung dieser Konformitätserklärung trägt der Hersteller. Der oben beschriebene Gegenstand der Erklärung erfüllt die Vorschriften der Richtlinie 2011/65/EU des Europäischen Parlaments und des Rates vom 8. Juni 2011 zur Beschränkung der Verwendung bestimmter gefährlicher Stoffe in Elektro- und Elektronikgeräten.

### Angewandte harmonisierte Normen

EN 60745-1:2009/A11:2010

EN 60745-2-20:2009

EN 55014-1:2017

EN 55014-2:2015

EN 61000-3-2:2014

EN 61000-3-3:2013

EN IEC 63000:2018

**Typ/Gerätebezeichnung:** Metallbandsäge PMB 1100 B2

**Herstellungsjahr:** 04-2021

**Seriennummer:** IAN 364705\_2101

Bochum, 18.02.2021



Semi Uguzlu  
- Qualitätsmanager -

Technische Änderungen im Sinne der Weiterentwicklung sind vorbehalten.

# Table des matières

<b>Introduction</b> .....	<b>26</b>
Utilisation conforme à l'usage prévu .....	26
Équipement .....	26
Matériel livré .....	26
Caractéristiques techniques .....	26
<b>Avertissements de sécurité généraux pour l'outil électrique</b> .....	<b>27</b>
1. Sécurité de la zone de travail .....	27
2. Sécurité électrique .....	28
3. Sécurité des personnes .....	28
4. Utilisation et entretien de l'outil électrique .....	29
5. Maintenance et entretien .....	29
Consignes de sécurité supplémentaires pour scies à ruban .....	29
Accessoires/équipements supplémentaires d'origine .....	30
<b>Avant la mise en service</b> .....	<b>30</b>
Montage .....	30
Procéder aux réglages .....	31
Remplacer le ruban de scie .....	32
<b>Mise en service</b> .....	<b>32</b>
Allumer et éteindre l'appareil .....	32
Allumer et éteindre la lampe de travail .....	32
Réglage de la vitesse de rotation .....	32
Consignes de travail .....	33
<b>Nettoyage et entretien</b> .....	<b>33</b>
<b>Mise au rebut</b> .....	<b>33</b>
<b>Garantie pour Kompernass Handels GmbH pour la Belgique</b> .....	<b>34</b>
<b>Garantie pour Kompernass Handels GmbH pour la France</b> .....	<b>35</b>
<b>Service après-vente</b> .....	<b>37</b>
<b>Importateur</b> .....	<b>37</b>
<b>Traduction de la déclaration de conformité originale</b> .....	<b>38</b>

# SCIE À RUBANS POUR MÉTAUX PMB 1100 B2

## Introduction

Nous vous félicitons pour l'achat de votre nouvel appareil. Vous venez ainsi d'opter pour un produit de grande qualité. Le mode d'emploi fait partie de cet appareil. Il contient des remarques importantes concernant la sécurité, l'usage et la recyclage. Avant d'utiliser le produit, veuillez vous familiariser avec toutes les consignes d'utilisation et avertissements de sécurité. N'utilisez le produit que conformément aux descriptions et pour les domaines d'utilisation indiqués. Si vous cédez le produit à un tiers, remettez-lui également tous les documents.

## Utilisation conforme à l'usage prévu

L'appareil est principalement destiné à scier des tubes en métal ou des profilés.

Toute utilisation autre ou modification de l'appareil est considérée comme non conforme et s'accompagne de risques d'accident non négligeables. N'utilisez pas l'appareil à des fins commerciales.

## Équipement

- ❶ Interrupteur d'éclairage
- ❷ Molette de réglage de vitesse
- ❸ Interrupteur marche/arrêt
- ❹ Butée de pièce à usiner
- ❺ Vis de la butée de pièce à usiner
- ❻ Petite clé Allen
- ❼ Ruban de scie
- ❽ Levier de serrage du ruban de scie

### Figure A

- ❾ Poignée
- ❿ Vis à ailettes sur la poignée
- ⓫ Caches de protection
- ⓬ Vis de blocage

### Figure B

- ⓭ Roues caoutchouc
- ⓮ Galets de guidage

### Figure C

- ⓯ Poignée sur étai
- ⓰ Réglage rapide
- ⓱ Étai
- ⓲ Vis à tête cylindrique à six pans creux

### Figure D

- ⓳ Réglage de l'angle de coupe
- ⓴ Vis à ailettes longue
- ⓵ Vis du réglage de l'angle de coupe
- ⓶ Goupille de sécurité
- ⓷ Écrou
- ⓸ Bras pivotant

### Figure E

- ⓹ Lampe de travail
- ⓺ Table de sciage
- ⓻ Alésages

## Matériel livré

- 1 scie à rubans pour métaux
- 1 table de sciage (prémontée)
- 4 vis à ailettes longues (prémontée)
- 4 vis à tête cylindrique à six pans creux (prémontée)
- 1 petite clé Allen (4 mm)
- 1 grande clé Allen (6 mm)
- 1 mode d'emploi

## Caractéristiques techniques

Tension nominale	230 V ~, 50 Hz (Courant alternatif)
Puissance nominale absorbée	1100 W
Largeur de coupe à 90°	127 mm x 127 mm (sans table de sciage)
Largeur de coupe à 45°	127 mm x 40 mm (sans table de sciage)
Plage nominale de vitesses	$n_0$ 0-290 min <sup>-1</sup>
Vitesse du ruban de scie	0-2,4 m/s
Coupes inclinées	0° - 45°
Classe de protection	II/□ (double isolation)

### Valeur d'émissions sonores

Valeur de mesure du bruit déterminée conformément à la norme EN 60745. Le niveau de bruit pondéré A typique de l'outil électrique est de :

Niveau de pression acoustique  $L_{PA} = 90,7$  dB (A)

Imprécision K  $K_{PA} = 3$  dB

Niveau de puissance acoustique  $L_{WA} = 101,7$  dB (A)

Imprécision K  $K_{WA} = 3$  dB



**Porter une protection auditive !**



**Veillez lire le mode d'emploi avant la mise en service !**

### Valeurs totales de vibration

(somme vectorielle triaxiale) déterminées conformément à EN 60745 :

Sciage de métal  $a_{h,CM} = 6,94$  m/s<sup>2</sup>

Imprécision K  $K = 1,5$  m/s<sup>2</sup>

Sciage de bois  $a_{h,CW} = 6,25$  m/s<sup>2</sup>

Imprécision K  $K = 1,5$  m/s<sup>2</sup>

### REMARQUE

- ▶ Les valeurs d'émission de vibrations et les valeurs d'émissions sonores indiquées ont été mesurées conformément à une méthode de mesure normée et peuvent être utilisées pour comparer des outils électriques.
- ▶ Les valeurs d'émission de vibrations et les valeurs d'émissions sonores indiquées peuvent également être utilisées pour une évaluation préliminaire de la sollicitation.

### ⚠ AVERTISSEMENT !

- ▶ Pendant l'utilisation effective de l'outil électrique, les émissions de vibrations et sonores peuvent différer des valeurs indiquées en fonction de la manière dont l'outil électrique est utilisé, et en particulier en fonction du type de pièce à usiner.

### ⚠ AVERTISSEMENT !

- ▶ Essayez de garder la sollicitation aussi faible que possible. Des mesures d'exemple de réduction de la sollicitation des vibrations sont le port de gants lors de l'utilisation de l'outil et la limitation du temps de travail. À ce titre, toutes les parts du cycle de travail doivent être prises en compte (par exemple les durées pendant lesquelles l'outil électrique est éteint et celles pendant lesquelles il est allumé, mais fonctionne sans charge).



### Avertissements de sécurité généraux pour l'outil électrique

### ⚠ AVERTISSEMENT !

- ▶ Lire tous les avertissements de sécurité et toutes les instructions. Ne pas suivre les avertissements et instructions peut donner lieu à un choc électrique, un incendie et/ou une blessure sérieuse.

### Conservé tous les avertissements et toutes les instructions pour pouvoir s'y reporter ultérieurement.

Le terme «outil électrique» dans les avertissements de sécurité fait référence à votre outil électrique alimenté par le secteur (avec cordon d'alimentation) ou à votre outil fonctionnant sur batterie (sans cordon d'alimentation).

### 1. Sécurité de la zone de travail

- Conservé la zone de travail propre et bien éclairée. Les zones en désordre ou sombres sont propices aux accidents.
- Ne pas faire fonctionner les outils électriques en atmosphère explosive, par exemple en présence de liquides inflammables, de gaz ou de poussières. Les outils électriques produisent des étincelles qui peuvent enflammer les poussières ou les fumées.
- Maintenir les enfants et les personnes présentes à l'écart pendant l'utilisation de l'outil électrique. Les distractions peuvent vous faire perdre le contrôle de l'outil.

## 2. Sécurité électrique

- a) La fiche de l'outil électrique doit être adaptée à la prise de courant. Ne jamais modifier la fiche de quelque façon que ce soit.  
Ne pas utiliser d'adaptateurs avec des outils électriques à branchement de terre. Des fiches non modifiées et des socles adaptés réduisent le risque de choc électrique.
- b) Éviter tout contact du corps avec des surfaces reliées à la terre telles que les tuyaux, les radiateurs, les cuisinières et les réfrigérateurs. Il existe un risque accru de choc électrique si votre corps est relié à la terre.
- c) Ne pas exposer les outils électriques à la pluie ou à des conditions humides. La pénétration d'eau à l'intérieur d'un outil augmentera le risque de choc électrique.
- d) Ne pas maltraiter le cordon. Ne jamais utiliser le cordon pour porter, tirer ou débrancher l'outil. Maintenir le cordon à l'écart de la chaleur, du lubrifiant, des arêtes ou des parties en mouvement. Des cordons endommagés ou emmêlés augmentent le risque de choc électrique.
- e) Lorsqu'on utilise un outil à l'extérieur, utiliser un prolongateur adapté à l'utilisation extérieure. L'utilisation d'un cordon adapté à l'utilisation extérieure réduit le risque de choc électrique.
- f) Si l'usage d'un outil électrique dans un emplacement humide est inévitable, utiliser une alimentation protégée par un dispositif à courant différentiel résiduel (RCD). L'usage d'un RCD réduit le risque de choc électrique.

## 3. Sécurité des personnes

- a) Rester vigilant, regarder ce que vous êtes en train de faire et faire preuve de bon sens dans votre utilisation de l'outil. Ne pas utiliser un outil électrique lorsque vous êtes fatigué ou sous l'emprise de drogues, de l'alcool ou de médicaments. Un moment d'inattention en cours d'utilisation d'un outil électrique peut entraîner des blessures graves.
- b) Utiliser un équipement de sécurité. Toujours porter une protection pour les yeux. Les équipements de sécurité tels que les masques contre les poussières, les chaussures de sécurité antidérapantes, les casques ou les protections acoustiques utilisés pour les conditions appropriées réduiront les blessures de personnes.
- c) Éviter tout démarrage intempestif. S'assurer que l'interrupteur est en position arrêt avant de brancher l'outil au secteur et/ou au bloc de batteries, de le ramasser ou de le porter. Porter les outils en ayant le doigt sur l'interrupteur ou brancher des outils dont l'interrupteur est en position marche est source d'accidents.
- d) Retirer toute clé de réglage avant de mettre l'outil électrique en marche. Une clé laissée fixée sur une partie tournante de l'outil peut donner lieu à des blessures de personnes.
- e) Ne pas se précipiter. Garder une position et un équilibre adaptés à tout moment. Cela permet un meilleur contrôle de l'outil électrique dans des situations inattendues.
- f) S'habiller de manière adaptée. Ne pas porter de vêtements amples ou de bijoux. Garder les cheveux, les vêtements et les gants à distance des parties en mouvement. Des vêtements amples, des bijoux ou les cheveux longs peuvent être pris dans des parties en mouvement.
- g) Si des dispositifs sont fournis pour le raccordement d'équipements pour l'extraction et la récupération des poussières, s'assurer qu'ils sont connectés et correctement utilisés. Utiliser des collecteurs de poussière peut réduire les risques dus aux poussières.



#### 4. Utilisation et entretien de l'outil électrique

- a) Ne pas forcer l'outil. Utiliser l'outil électrique adapté à votre application. L'outil électrique adapté réalise mieux le travail et de manière plus sûre au régime pour lequel il a été construit.
- b) Ne pas utiliser l'outil électrique si l'interrupteur ne permet pas de passer de l'état de marche à arrêt et inversement. Tout outil électrique qui ne peut pas être commandé par l'interrupteur est dangereux et il faut le réparer.
- c) Débrancher la fiche de la source d'alimentation en courant et/ou le bloc de batteries de l'outil avant tout réglage, changement d'accessoires ou avant de ranger l'outil. De telles mesures de sécurité préventives réduisent le risque de démarrage accidentel de l'outil.
- d) Conserver les outils à l'arrêt hors de la portée des enfants et ne pas permettre à des personnes ne connaissant pas l'outil ou les présentes instructions de le faire fonctionner. Les outils électriques sont dangereux entre les mains d'utilisateurs novices.
- e) Observer la maintenance de l'outil. Vérifier qu'il n'y a pas de mauvais alignement ou de blocage des parties mobiles, des pièces cassées ou toute autre condition pouvant affecter le fonctionnement de l'outil. En cas de dommages, faire réparer l'outil avant de l'utiliser. De nombreux accidents sont dus à des outils électriques mal entretenus.
- f) Garder affûtés et propres les outils permettant de couper. Des outils destinés à couper correctement entretenus avec des pièces coupantes tranchantes sont moins susceptibles de bloquer et sont plus faciles à contrôler.
- g) Utiliser l'outil, les accessoires et les lames etc., conformément à ces instructions, en tenant compte des conditions de travail et du travail à réaliser. L'utilisation de l'outil pour des opérations différentes de celles prévues pourrait donner lieu à des situations dangereuses.

#### 5. Maintenance et entretien

- a) Faire entretenir l'outil électrique par un réparateur qualifié utilisant uniquement des pièces de rechange identiques. Cela assurera que la sécurité de l'outil est maintenue.

#### Consignes de sécurité supplémentaires pour scies à ruban

- Tenir l'outil par les surfaces de préhension isolées, lors de la réalisation d'une opération au cours de laquelle l'outil à couper pourrait entrer en contact avec un câblage non apparent ou son propre cordon d'alimentation. Le contact des outils à couper avec une ligne sous tension peut également mettre sous tension les parties métalliques de l'appareil et provoquer un choc électrique.
- Tenez vos mains éloignées de la zone de sciage et du ruban de scie.
- Avant l'utilisation, assurez-vous toujours que la scie à ruban est propre.
- Stoppez toujours immédiatement le fonctionnement si vous remarquez quelque chose d'inhabituel.
- Avant d'utiliser l'appareil, assurez-vous toujours que tous les composants sont montés de manière conforme et sûre.
- Soyez toujours prudent lorsque vous mettez en place le ruban de la scie ou lorsque vous le retirez.
- Tenez toujours vos mains éloignées de la course de coupe du ruban de scie.
- Avant de scier, attendez toujours que le moteur ait atteint son plein régime.
- Maintenez toujours les poignées sèches, propres et exemptes d'huile ou de graisse. Maintenez l'outil fermement lors du travail.
- Soyez toujours vigilant, surtout lors d'opérations monotones répétitives. Veillez toujours à un positionnement correct des mains par rapport au ruban de scie.

- Ne retirez jamais la butée de pièce à usiner.
- Éloignez-vous des pièces d'extrémités qui chutent après le sciage. Elles risquent d'être brûlantes/coupantes et/ou lourdes. Cela pourrait provoquer des blessures graves.
- Des orifices d'aération recouvrent fréquemment les pièces mobiles et ils doivent rester dégagés. Les vêtements amples, les bijoux ou les cheveux longs risquent d'être happés par les pièces mobiles.

### AVERTISSEMENT !

- ▶ Cet outil électrique crée un champ électromagnétique durant le fonctionnement. Dans certaines circonstances, ce champ peut perturber les implants médicaux actifs ou passifs. Afin de réduire le risque de blessures graves ou mortelles, nous recommandons aux personnes portant des implants médicaux de consulter leur médecin et le fabricant de l'implant médical avant d'utiliser l'outil électrique.

### Accessoires/équipements supplémentaires d'origine

Utilisez uniquement les accessoires et équipements supplémentaires spécifiés dans le mode d'emploi ou dont le logement est compatible avec l'appareil.

## Avant la mise en service

### AVERTISSEMENT ! RISQUE DE BLESSURES !



Débranchez toujours la fiche secteur de la prise secteur avant d'effectuer des travaux sur l'appareil.

## Montage

Notez que toutes les pièces sont prémontées. Les instructions servent uniquement à d'éventuelles tâches de maintenance.

### Montage de la poignée (prémontée)

- ◆ Positionnez la poignée **9** à l'endroit correspondant (voir figures sur le volet dépliant)
- ◆ Glissez la vis à ailettes **10** dans la poignée **9** et le boîtier et serrez-la bien.

### Monter l'étau (prémontée)

- ◆ Fixez l'étau **16** à l'aide des 4 vis à tête cylindrique à six pans creux **17** fournies dans les alésages correspondants au dos de la table de sciage (voir fig. C sur le volet dépliant). Utilisez pour cela une clé Allen de 5 mm (non fournie).

### Monter le réglage de l'angle de coupe sur la table de sciage (prémontée)

- ◆ Desserrer entièrement la vis **20** du réglage de l'angle de coupe **18**. Insérez la vis **20** par le bas au travers de l'évidement d'angle sur la table de sciage **24** et serrez-la bien à l'aide du réglage de l'angle de coupe **18** (voir fig. D sur le volet dépliant).
- ◆ À l'aide d'une longue vis à ailette **19** fixez le bras pivotant **22** au travers de l'autre alésage sur la table de sciage **24** (voir fig. D sur le volet dépliant).

## Monter la scie à ruban sur le bras pivotant

Si vous souhaitez utiliser l'appareil à l'aide de la table de sciage 24, procédez comme suit :

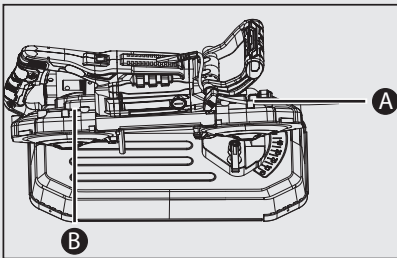
- ◆ Fixez le bras pivotant 22 à l'aide des 3 longues vis à ailettes 19 fournies dans les alésages correspondants du boîtier de l'appareil (voir fig. E sur le volet dépliant).

### REMARQUE

- ▶ À la livraison, l'écrou 21a est peut-être serré trop fort. Desserrez légèrement l'écrou 21a avec une clé plate de 19.
- ▶ Resserez de temps en temps l'écrou 21a avec une clé de 19 si le bras pivotant 22 a trop de jeu.

### ⚠ AVERTISSEMENT !

- ▶ La scie à ruban doit être utilisée uniquement sans table de sciage 24 lorsque l'utilisateur prend une position stable et sûre. En outre, la pièce à usiner doit être sécurisée contre le glissement sur un établi.
- ▶ Assurez-vous à tout moment que le cordon d'alimentation ne puisse pas s'approcher de la lame de scie.
- ▶ Si vous souhaitez utiliser l'unité avec la table de sciage, fixez le cordon d'alimentation avec le support de câble A, comme indiqué dans l'illustration suivante :



- ▶ Pour toute autre utilisation, le passage du câble doit être placé à l'aide du support de câble A B de manière à ce que le câble ne puisse jamais passer dans la zone de sciage/de travail ou une autre zone dangereuse.

## Procéder aux réglages

### Réglage de la poignée

- ◆ Pour régler la poignée 9, desserrez la vis à ailettes 10 sur la poignée.
- ◆ Faites pivoter la poignée 9 en position souhaitée.
- ◆ Resserez à nouveau la vis à ailettes 10.

### Utiliser l'étai

- ◆ Tournez la poignée de l'étai 15 dans le sens horaire pour serrer la pièce.
- ◆ Tournez la poignée de l'étai 15 dans le sens antihoraire pour desserrer la pièce.

### REMARQUE

- ▶ Vous pouvez aussi basculer le dispositif de réglage rapide 15a vers le haut pour accélérer le réglage 16 de l'étai. Basculez à nouveau le dispositif de réglage rapide 15a vers le bas pour fixer l'étai 15. Effectuez ensuite l'ajustement de précision avec la poignée de l'étai 15.

### Cale de transport

- ◆ Sortez la goupille de sécurité 21 afin de pouvoir faire pivoter la scie à ruban vers le haut.
- ◆ Faites pivoter la scie à ruban vers le bas et enfoncez la goupille de sécurité 21. Vous pouvez maintenant transporter aisément la scie à ruban avec la table de sciage.

### Régler l'angle de coupe (angle d'onglet)

- ◆ Desserrez le réglage de l'angle de coupe 18 en le tournant dans le sens antihoraire.
- ◆ Réglez l'angle de coupe souhaité à l'aide des nombres de degrés indiqués.
- ◆ Tournez le dispositif de réglage de l'angle de coupe 18 à fond dans le sens horaire.

### Régler la butée de pièce à usiner

- En fonctionnement normal, la butée de pièce à usiner **4** doit être fixée en position la plus basse.
- ◆ Si la butée de pièce à usiner **4** fait obstacle lors du sciage, vous pouvez desserrer la vis de la butée de pièce à usiner **5**. Utilisez pour cela la petite clé Allen **6** fournie. Vous pouvez ainsi déplacer la butée de pièce à usiner **4** vers le haut. Fixez ensuite à nouveau la butée de pièce à usiner **4** avec la vis de la butée de pièce à usiner **5**.

### Remplacer le ruban de scie

#### **⚠ AVERTISSEMENT ! RISQUE DE BLESSURES !**

- ▶ Portez des gants de protection pour éviter toute coupure.

#### **REMARQUE**

- ▶ Les lames de scie peuvent être commandées à nouveau par l'intermédiaire de notre hotline du service après-vente.
- ◆ Desserrez **7** le levier de serrage du ruban de scie **8** dans le sens anti-horaire **C**.
- ◆ Desserrer les deux vis de blocage **12** avec la petite clé Allen **6**. Retirez les deux caches de protection **11**.
- ◆ Retirez prudemment le ruban de scie **7**. Commencez par les galets de guidage **14** (voir fig. B sur le volet dépliant).
- ◆ Éliminez d'éventuels copeaux de sciage à l'aide d'un pinceau ou d'air comprimé.
- ◆ Glissez le ruban de scie **7** avec les dents vers le haut dans les galets de guidage **14**. Veillez à ce que les galets de guidage **14** saisissent entièrement le ruban de scie **7**.

#### **REMARQUE**

- ▶ Veillez à ce que la flèche de direction (si présente) sur le ruban de scie **7** corresponde toujours à celle placée sur les roues caoutchouc **13**.

- ◆ Placez le ruban de scie **7** autour des deux roues caoutchouc.
- ◆ Tirez à nouveau le levier de serrage **7** du ruban de scie **8** dans le sens horaire **C**.
- ◆ Remontez les deux caches de protection **11**.

#### **⚠ AVERTISSEMENT ! RISQUE DE BLESSURES !**

- ▶ N'utilisez l'appareil qu'avec les caches de protection montés **11** !

- ◆ Effectuez un test de fonctionnement en allumant et en éteignant plusieurs fois brièvement l'appareil pour constater si le ruban de scie est correctement positionné.

#### **⚠ AVERTISSEMENT ! RISQUE DE BLESSURES !**

- ▶ Tenez votre corps éloigné de la zone de sciage pendant le test de fonctionnement !

## Mise en service

### Allumer et éteindre l'appareil

#### Mise en marche

- ◆ Maintenez appuyé l'interrupteur marche/arrêt **3**.

#### Mise à l'arrêt

- ◆ Relâchez l'interrupteur marche/arrêt **3**.

### Allumer et éteindre la lampe de travail

#### Mise en marche

- ◆ Réglez l'interrupteur d'éclairage **1** sur la position I. La lampe de travail **23** s'allume.

#### Mise à l'arrêt

- ◆ Réglez l'interrupteur d'éclairage **1** sur la position 0. La lampe de travail **23** s'éteint.

### Réglage de la vitesse de rotation

- ◆ Amenez la molette de réglage de la vitesse **2** sur une position comprise entre 1 et 6.

## Consignes de travail

- ◆ Sécurisez la pièce à usiner contre tout glissement, par ex. avec l'étau **15** de la table de sciage.
- ◆ Utilisez le poids propre de la scie lors du sciage. N'exercez aucune pression supplémentaire.
- ◆ Patientez jusqu'à ce que la scie ait atteint sa pleine vitesse avant de la mettre en contact prudemment avec la pièce à usiner.
- ◆ Éteignez immédiatement l'appareil si le ruban de scie **7** se bloque.
- ◆ Ne soumettez le ruban de scie **7** à aucun effort de torsion pendant la coupe.
- ◆ Veillez à ce que l'appareil soit sur une surface stable et robuste. Vous pouvez fixer l'appareil à un endroit approprié pour des raisons de sécurité. Pour la fixation sur un support solide et plan, le pied du boîtier est doté de 4 alésages **25**. Introduisez pour cela un matériel de fixation (non inclus dans la livraison) approprié à support dans les 4 alésages **25**.

### **AVERTISSEMENT ! RISQUE DE BLESSURES !**

- ▶ Retirez la pièce à usiner uniquement une fois la scie immobilisée.

## Nettoyage et entretien

### **AVERTISSEMENT ! RISQUE DE BLESSURES !**

- ▶ Débranchez toujours la fiche secteur de la prise secteur avant d'effectuer des travaux sur l'appareil.
- Conservez l'appareil et les rubans de scie dans un endroit sec et exempt de poussière.
- L'appareil doit toujours être propre et exempt d'huile ou de graisse.
- Pour le nettoyage du boîtier, utilisez un chiffon sec.
- Ne faites effectuer le remplacement des brosses à charbon que par le service après-vente ou un atelier de service après-vente homologué.

- Les ouvertures de ventilation doivent toujours être dégagées.
- Éliminez la poussière de sciage qui adhère à l'aide d'un pinceau.

### REMARQUE

- ▶ Les pièces de rechange non listées (par ex. balais de charbon, interrupteur, lames de scie) peuvent être commandées auprès de notre hotline du service après-vente.

## Mise au rebut



L'emballage est constitué de matériaux écologiques que vous pouvez recycler par le biais des services de recyclage locaux.



### **Ne jetez pas les outils électriques dans les ordures ménagères !**

Conformément à la directive européenne 2012/19/EU, les outils électriques usagés doivent faire l'objet d'un tri et d'un recyclage respectueux de l'environnement.

Renseignez-vous auprès de votre mairie ou des services de votre commune pour connaître les possibilités de mise au rebut de votre appareil usagé.



Recyclez l'emballage d'une manière respectueuse de l'environnement. Observez le marquage sur les différents matériaux d'emballage et triez-les séparément si nécessaire. Les matériaux d'emballage sont repérés par des abréviations (a) et des numéros (b) qui ont la signification suivante : 1-7 : Plastiques, 20-22 : Papier et carton, 80-98 : Matériaux composites.



Renseignez-vous auprès de votre commune ou des services administratifs de votre ville pour connaître les possibilités de recyclage du produit usagé.



Le produit recyclable doit être trié ou rapporté dans un point de collecte pour être recyclé.

## **Garantie pour Kompernass Handels GmbH pour la Belgique**

Chère cliente, cher client,

Cet appareil est garanti 3 ans à partir de la date d'achat. Si ce produit venait à présenter des vices, vous disposez de droits légaux face au vendeur de ce produit. Vos droits légaux ne sont pas restreints par notre garantie présentée ci-dessous.

### **Conditions de garantie**

La période de garantie débute à la date d'achat. Veuillez bien conserver le ticket de caisse. Celui-ci servira de preuve d'achat.

Si dans un délai de trois ans suivant la date d'achat de ce produit, un vice de matériel ou de fabrication venait à apparaître, le produit sera réparé, remplacé gratuitement par nos soins ou le prix d'achat remboursé, selon notre choix. Cette prestation sous garantie nécessite, dans le délai de trois ans, la présentation de l'appareil défectueux et du justificatif d'achat (ticket de caisse) ainsi que la description brève du vice et du moment de son apparition.

Si le vice est couvert par notre garantie, vous recevrez le produit réparé ou un nouveau produit en retour. Aucune nouvelle période de garantie ne débute avec la réparation ou l'échange du produit.

### **Période de garantie et réclamation légale pour vices cachés**

L'exercice de la garantie ne prolonge pas la période de garantie. Cette disposition s'applique également aux pièces remplacées ou réparées. Les dommages et vices éventuellement déjà présents à l'achat doivent être signalés immédiatement après le débailage. Toute réparation survenant après la période sous garantie fera l'objet d'une facturation.

### **Étendue de la garantie**

L'appareil a été fabriqué avec soin conformément à des directives de qualité strictes et consciencieusement contrôlé avant sa livraison.

La prestation de la garantie s'applique aux vices de matériel et de fabrication. Cette garantie ne s'étend pas aux pièces du produit qui sont exposées à une usure normale et peuvent de ce fait être considérées comme pièces d'usure, ni aux détériorations de pièces fragiles, par ex. interrupteurs ou pièces en verre.

Cette garantie devient caduque si le produit est détérioré, utilisé ou entretenu de manière non conforme. Toutes les instructions listées dans le manuel d'utilisation doivent être exactement respectées pour une utilisation conforme du produit. Des buts d'utilisation et actions qui sont déconseillés dans le manuel d'utilisation, ou dont vous êtes avertis doivent également être évités.

Le produit est uniquement destiné à un usage privé et ne convient pas à un usage professionnel. La garantie est annulée en cas d'entretien incorrect et inapproprié, d'usage de la force et en cas d'intervention non réalisée par notre centre de service après-vente agréé.

### **La période de garantie ne s'applique pas dans les cas suivants**

- usure normale de la capacité de l'accu
- utilisation commerciale du produit
- détérioration ou modification du produit par le client
- non-respect des consignes de sécurité et de maintenance, erreur d'utilisation
- dommages causés par des événements élémentaires

### **Procédure en cas de garantie**

Afin de garantir un traitement rapide de votre demande, veuillez suivre les indications suivantes :

- Veuillez avoir à portée de main pour toutes questions le ticket de caisse et la référence article (par ex. IAN 12345) en tant que justificatif de votre achat.
- Vous trouverez la référence sur la plaque signalétique sur le produit, une gravure sur le produit, sur la page de garde du mode d'emploi (en bas à gauche) ou sur l'autocollant au dos ou sur le dessous du produit.

- Si des erreurs de fonctionnement ou d'autres vices venaient à apparaître, veuillez d'abord contacter le département service clientèle cité ci-dessous par **téléphone** ou par **e-mail**.
- Vous pouvez ensuite retourner un produit enregistré comme étant défectueux en joignant le ticket de caisse et en indiquant en quoi consiste le vice et quand il est survenu, sans devoir l'affranchir à l'adresse de service après-vente communiquée.



Sur [www.lidl-service.com](http://www.lidl-service.com), vous pourrez télécharger ce mode d'emploi et de nombreux autres manuels, vidéos produit et logiciels d'installation.

Grâce à ce code QR, vous arriverez directement sur le site Lidl service après-vente ([www.lidl-service.com](http://www.lidl-service.com)) et vous pourrez ouvrir votre mode d'emploi en saisissant votre référence (IAN) 364705\_2101.

## Garantie pour Kompernass Handels GmbH pour la France

Chère cliente, cher client,

Cet appareil est garanti 3 ans à partir de la date d'achat. Si ce produit venait à présenter des vices, vous disposez de droits légaux face au vendeur de ce produit. Vos droits légaux ne sont pas restreints par notre garantie présentée ci-dessous.

### Conditions de garantie

La période de garantie débute à la date d'achat. Veuillez bien conserver le ticket de caisse. Celui-ci servira de preuve d'achat.

Si dans un délai de trois ans suivant la date d'achat de ce produit, un vice de matériel ou de fabrication venait à apparaître, le produit sera réparé, remplacé gratuitement par nos soins ou le prix d'achat remboursé, selon notre choix. Cette prestation sous garantie nécessite, dans le délai de trois ans, la présentation de l'appareil défectueux et du justificatif d'achat (ticket de caisse) ainsi que la description brève du vice et du moment de son apparition.

Si le vice est couvert par notre garantie, vous recevrez le produit réparé ou un nouveau produit en retour. Aucune nouvelle période de garantie ne débute avec la réparation ou l'échange du produit.

### Période de garantie et réclamation légale pour vices cachés

L'exercice de la garantie ne prolonge pas la période de garantie. Cette disposition s'applique également aux pièces remplacées ou réparées. Les dommages et vices éventuellement déjà présents à l'achat doivent être signalés immédiatement après le déballage. Toute réparation survenant après la période sous garantie fera l'objet d'une facturation.

### Étendue de la garantie

L'appareil a été fabriqué avec soin conformément à des directives de qualité strictes et consciencieusement contrôlé avant sa livraison.

La prestation de la garantie s'applique aux vices de matériel et de fabrication. Cette garantie ne s'étend pas aux pièces du produit qui sont exposées à une usure normale et peuvent de ce fait être considérées comme pièces d'usure, ni aux détériorations de pièces fragiles, par ex. interrupteurs ou pièces en verre.

Cette garantie devient caduque si le produit est détérioré, utilisé ou entretenu de manière non conforme. Toutes les instructions listées dans le manuel d'utilisation doivent être exactement respectées pour une utilisation conforme du produit. Des buts d'utilisation et actions qui sont déconseillés dans le manuel d'utilisation, ou dont vous êtes avertis doivent également être évités.

Le produit est uniquement destiné à un usage privé et ne convient pas à un usage professionnel. La garantie est annulée en cas d'entretien incorrect et inapproprié, d'usage de la force et en cas d'intervention non réalisée par notre centre de service après-vente agréé.

**Article L217-16 du Code de la consommation**

Lorsque l'acheteur demande au vendeur, pendant le cours de la garantie commerciale qui lui a été consentie lors de l'acquisition ou de la réparation d'un bien meuble, une remise en état couverte par la garantie, toute période d'immobilisation d'au moins sept jours vient s'ajouter à la durée de la garantie qui restait à courir. Cette période court à compter de la demande d'intervention de l'acheteur ou de la mise à disposition pour réparation du bien en cause, si cette mise à disposition est postérieure à la demande d'intervention.

Indépendamment de la garantie commerciale souscrite, le vendeur reste tenu des défauts de conformité du bien et des vices rédhibitoires dans les conditions prévues aux articles L217-4 à L217-13 du Code de la consommation et aux articles 1641 à 1648 et 2232 du Code Civil.

**Article L217-4 du Code de la consommation**

Le vendeur livre un bien conforme au contrat et répond des défauts de conformité existant lors de la délivrance. Il répond également des défauts de conformité résultant de l'emballage, des instructions de montage ou de l'installation lorsque celle-ci a été mise à sa charge par le contrat ou a été réalisée sous sa responsabilité.

**Article L217-5 du Code de la consommation**

Le bien est conforme au contrat :

- 1° S'il est propre à l'usage habituellement attendu d'un bien semblable et, le cas échéant :
  - s'il correspond à la description donnée par le vendeur et posséder les qualités que celui-ci a présentées à l'acheteur sous forme d'échantillon ou de modèle ;
  - s'il présente les qualités qu'un acheteur peut légitimement attendre eu égard aux déclarations publiques faites par le vendeur, par le producteur ou par son représentant, notamment dans la publicité ou l'étiquetage ;
- 2° Ou s'il présente les caractéristiques définies d'un commun accord par les parties ou être propre à tout usage spécial recherché par l'acheteur, porté à la connaissance du vendeur et que ce dernier a accepté.

**Article L217-12 du Code de la consommation**

L'action résultant du défaut de conformité se prescrit par deux ans à compter de la délivrance du bien.

**Article 1641 du Code civil**

Le vendeur est tenu de la garantie à raison des défauts cachés de la chose vendue qui la rendent impropre à l'usage auquel on la destine, ou qui diminuent tellement cet usage que l'acheteur ne l'aurait pas acquise, ou n'en aurait donné qu'un moindre prix, s'il les avait connus.

**Article 1648 1er alinéa du Code civil**

L'action résultant des vices rédhibitoires doit être intentée par l'acquéreur dans un délai de deux ans à compter de la découverte du vice.

Les pièces détachées indispensables à l'utilisation du produit sont disponibles pendant la durée de la garantie du produit.



### La période de garantie ne s'applique pas dans les cas suivants

- usure normale de la capacité de l'accu
- utilisation commerciale du produit
- détérioration ou modification du produit par le client
- non-respect des consignes de sécurité et de maintenance, erreur d'utilisation
- dommages causés par des événements élémentaires

### Procédure en cas de garantie

Afin de garantir un traitement rapide de votre demande, veuillez suivre les indications suivantes :

- Veuillez avoir à portée de main pour toutes questions le ticket de caisse et la référence article (par ex. IAN 12345) en tant que justificatif de votre achat.
- Vous trouverez la référence sur la plaque signalétique sur le produit, une gravure sur le produit, sur la page de garde du mode d'emploi (en bas à gauche) ou sur l'autocollant au dos ou sur le dessous du produit.
- Si des erreurs de fonctionnement ou d'autres vices venaient à apparaître, veuillez d'abord contacter le département service clientèle cité ci-dessous par **téléphone** ou par **e-mail**.
- Vous pouvez ensuite retourner un produit enregistré comme étant défectueux en joignant le ticket de caisse et en indiquant en quoi consiste le vice et quand il est survenu, sans devoir l'affranchir à l'adresse de service après-vente communiquée.



Sur [www.lidl-service.com](http://www.lidl-service.com), vous pourrez télécharger ce mode d'emploi et de nombreux autres manuels, vidéos produit et logiciels d'installation.

Grâce à ce code QR, vous arriverez directement sur le site Lidl service après-vente ([www.lidl-service.com](http://www.lidl-service.com)) et vous pourrez ouvrir votre mode d'emploi en saisissant votre référence (IAN) 364705\_2101.

### AVERTISSEMENT !

- ▶ Faites réparer vos appareils par le service après-vente ou un électricien et uniquement avec des pièces de rechange d'origine. Cela assure le maintien de la sécurité de l'appareil.
- ▶ Confiez toujours le remplacement de la fiche ou du cordon d'alimentation au fabricant de l'appareil ou à son service après-vente. Cela assure le maintien de la sécurité de l'appareil.

## Service après-vente

### Service France

Tel.: 0800 919270

E-Mail: [kompemass@lidl.fr](mailto:kompemass@lidl.fr)

### Service Belgique

Tel.: 070 270 171 (0,15 EUR/Min.)

E-Mail: [kompemass@lidl.be](mailto:kompemass@lidl.be)

IAN 364705\_2101

## Importateur

Veuillez tenir compte du fait que l'adresse suivante n'est pas une adresse de service après-vente. Veuillez d'abord contacter le service mentionné.

KOMPERNASS HANDELS GMBH

BURGSTRASSE 21

44867 BOCHUM

ALLEMAGNE

[www.kompemass.com](http://www.kompemass.com)

## Traduction de la déclaration de conformité originale

Nous soussignés, KOMPERNASS HANDELS GMBH, responsable du document : M. Semi Uguzlu, BURGSTR. 21, 44867 BOCHUM, ALLEMAGNE, déclarons par la présente que ce produit est en conformité avec les normes, documents normatifs et directives CE suivants :

### Directive relative aux machines

(2006/42/CE)

### Compatibilité électromagnétique

(2014/30/EU)

### Directive RoHS

(2011/65/EU)\*

\* La seule responsabilité pour l'établissement de cette déclaration de conformité incombe au fabricant. L'objet de la déclaration décrit ci-dessus répond aux prescriptions de la directive 2011/65/EU du Parlement européen et du Conseil en date du 8 juin 2011 visant la restriction de l'utilisation de certaines substances dangereuses dans les appareils électriques et électroniques.

### Normes harmonisées appliquées

EN 60745-1:2009/A11:2010

EN 60745-2-20:2009

EN 55014-1:2017

EN 55014-2:2015

EN 61000-3-2:2014

EN 61000-3-3:2013

EN IEC 63000:2018

**Type/désignation de l'appareil :** Scie à rubans pour métaux PMB 1100 B2

**Année de fabrication :** 04-2021

**Numéro de série :** IAN 364705\_2101

Bochum, le 18/02/2021



Semi Uguzlu  
- Responsable qualité -

Sous réserve de modifications techniques à des fins de perfectionnement.

# Inhoud

<b>Inleiding</b> .....	<b>40</b>
Gebruik in overeenstemming met bestemming .....	40
Onderdelen .....	40
Inhoud van het pakket .....	40
Technische gegevens .....	40
<b>Algemene veiligheidsvoorschriften voor elektrische gereedschappen</b> .....	<b>41</b>
1. Veiligheid op de werkplek .....	41
2. Elektrische veiligheid .....	42
3. Veiligheid van personen .....	42
4. Gebruik en behandeling van het elektrische gereedschap .....	43
5. Service .....	43
Aanvullende veiligheidsvoorschriften voor bandzagen .....	43
Originele accessoires/hulpapparatuur .....	44
<b>Vóór de ingebruikname</b> .....	<b>44</b>
Montage .....	44
Instellingen uitvoeren .....	45
Zaagblad verwisselen .....	46
<b>Ingebruikname</b> .....	<b>46</b>
Apparaat in- en uitschakelen .....	46
Werkklampje in- en uitschakelen .....	46
Toerental instellen .....	46
Werkinstructies .....	47
<b>Reiniging en onderhoud</b> .....	<b>47</b>
<b>Afvoeren</b> .....	<b>47</b>
<b>Garantie van Kompernaß Handels GmbH</b> .....	<b>48</b>
<b>Service</b> .....	<b>49</b>
<b>Importeur</b> .....	<b>49</b>
<b>Vertaling van de oorspronkelijke conformiteitsverklaring</b> .....	<b>50</b>

## METAALBANDZAAG PMB 1100 B2

### Inleiding

Hartelijk gefeliciteerd met de aankoop van uw nieuwe apparaat. U hebt hiermee gekozen voor een hoogwaardig product. Deze gebruiksaanwijzing maakt deel uit van dit product. Hij bevat belangrijke aanwijzingen voor de veiligheid, het gebruik en het afvoeren van dit product. Lees alle bedienings- en veiligheidsvoorschriften voordat u het product in gebruik neemt. Gebruik het product uitsluitend op de voorgeschreven wijze en voor de aangegeven doeleinden. Geef alle documenten mee als u het product overdraagt aan een derde.

### Gebruik in overeenstemming met bestemming

Dit apparaat is in de eerste plaats bestemd voor het zagen van metalen buizen of profielen.

Elk ander gebruik of elke wijziging van het apparaat geldt als niet in overeenstemming met de bestemming en brengt ernstig gevaar voor ongelukken met zich mee.

Gebruik het apparaat niet bedrijfsmatig.

### Onderdelen

- 1 Lichtschakelaar
- 2 Regelwiel voor toerental
- 3 Aan-/uitknop
- 4 Werkstukaanslag
- 5 Schroef voor werkstukaanslag
- 6 Kleine inbussleutel
- 7 Zaagblad
- 8 Spanhendel zaagblad

### Afbeelding A

- 9 Handgreep
- 10 Vleugelschroef op de handgreep
- 11 Kapjes
- 12 Borgschroeven

### Afbeelding B

- 13 Rubberwieltes
- 14 Geleiderollen

### Afbeelding C

- 15 Handgreep op de bankschroef
- 15a Klem
- 16 Bankschroef
- 17 Cilinderkopschroeven met binnenzeskant (inbus)

### Afbeelding D

- 18 Zaaghoekregelaar
- 19 Lange vleugelschroef
- 20 Schroef van de zaaghoekregelaar
- 21 Borgpen
- 21a Moer
- 22 Zwenkarm

### Afbeelding E

- 23 Werklampje
- 24 Zaagplateau
- 25 Boorgaten

### Inhoud van het pakket

- 1 metaalbandzaag
- 1 zaagplateau (voorgemonteerd)
- 4 vleugelschroeven lang (voorgemonteerd)
- 4 cilinderkopschroeven met binnenzeskant (voorgemonteerd)
- 1 kleine inbussleutel (4 mm)
- 1 grote inbussleutel (6 mm)
- 1 gebruiksaanwijzing

### Technische gegevens

Nominale spanning	230 V ~, 50 Hz (wisselstroom)
Nominaal vermogen	1100 W
Zaagbreedte bij 90°	127 mm x 127 mm (zonder zaagplateau)
Zaagbreedte bij 45°	127 mm x 40 mm (zonder zaagplateau)
Nominaal toerental (onbelast)	$n_0$ 0-290 min <sup>-1</sup>
Snelheid zaagband	0-2,4 m/s
Zaaghoek	0°-45°
Beschermingsklasse	II/□ (dubbel geïsoleerd)

### Geluidsemissiewaarde

Gemeten waarde voor geluid vastgesteld conform EN 60745. Het A-gewogen geluidsniveau van het elektrische gereedschap bedraagt gemiddeld:

Geluidsdruk niveau	$L_{PA} = 90,7 \text{ dB (A)}$
Onzekerheid K	$K_{PA} = 3 \text{ dB}$
Geluidsvermogensniveau	$L_{WA} = 101,7 \text{ dB (A)}$
Onzekerheid K	$K_{WA} = 3 \text{ dB}$



**Draag gehoorbescherming!**



**Lees de gebruiksaanwijzing zorgvuldig door voordat u het apparaat in gebruik neemt!**

### Totale trillingswaarden

(vectorsom van drie richtingen) bepaald conform EN 60745:

Zagen van metaal	$a_{h,CM} = 6,94 \text{ m/s}^2$
Onzekerheid	$K = 1,5 \text{ m/s}^2$
Zagen van hout	$a_{h,CW} = 6,25 \text{ m/s}^2$
Onzekerheid	$K = 1,5 \text{ m/s}^2$

### OPMERKING

- De vermelde totale trillingswaarden en trillingsemissiewaarden zijn in een genormeerde testopstelling gemeten en kunnen ook worden gebruikt voor vergelijking van een elektrisch gereedschap met een ander elektrisch gereedschap.
- De vermelde totale trillingswaarden en trillingsemissiewaarden kunnen ook worden gebruikt voor een voorlopige inschatting van de belasting.

### ! WAARSCHUWING!

- De trillings- en geluidsemissieniveaus kunnen tijdens het daadwerkelijke gebruik van het elektrische gereedschap afwijken van de vermelde waarden, afhankelijk van de aard en het gebruik van het elektrische gereedschap, en in het bijzonder afhankelijk van het soort werkstuk dat wordt bewerkt.

### ! WAARSCHUWING!

- Probeer de belasting zo klein mogelijk te houden. Om de trillingsbelasting te reduceren, kunt u bijvoorbeeld handschoenen dragen tijdens het gebruik van het gereedschap en slechts beperkte tijd met het gereedschap werken. Daarbij dient u rekening te houden met alle aspecten van de bedrijfscyclus (bijvoorbeeld perioden waarin het gereedschap is uitgeschakeld en perioden waarin het gereedschap weliswaar is ingeschakeld, maar niet wordt belast).



### Algemene veiligheidsvoorschriften voor elektrische gereedschappen

### ! WAARSCHUWING!

- Lees alle veiligheidsvoorschriften en aanwijzingen. Het niet naleven van de veiligheidsvoorschriften en aanwijzingen kan elektrische schokken, brand en/of ernstig letsel veroorzaken.

### Bewaar alle veiligheidsvoorschriften en aanwijzingen voor toekomstig gebruik.

De in de veiligheidsinstructies gebruikte term "elektrisch gereedschap" heeft betrekking op elektrische gereedschappen die op netvoeding werken (met snoer) en op elektrische gereedschappen die op accu's werken (zonder snoer).

### 1. Veiligheid op de werkplek

- Houd uw werkomgeving schoon en goed verlicht. Wanorde en een niet-verlichte werkomgeving kunnen leiden tot ongelukken.
- Gebruik het elektrische gereedschap niet in explosiegevaarlijke omgevingen waarin zich brandbare vloeistoffen, gasen of stof bevinden. Elektrisch gereedschap geeft vonken af die stof of dampen kunnen doen ontvlammen.
- Houd kinderen en andere personen uit de buurt tijdens het gebruik van het elektrische gereedschap. Als u afgeleid raakt, zou u de controle over het apparaat kunnen verliezen.

## 2. Elektrische veiligheid

- a) De stekker van het elektrische gereedschap moet in het stopcontact passen. De stekker mag op geen enkele wijze worden veranderd. Gebruik geen verloopstekker in combinatie met geaard elektrisch gereedschap. Onveranderde stekkers en passende stopcontacten verminderen het risico op elektrische schokken.
- b) Voorkom lichamelijk contact met geadarde oppervlakken, zoals buizen, verwarmingen, fornuizen en koelkasten. Er bestaat een verhoogd risico op een elektrische schok als uw lichaam geaard is.
- c) Houd elektrisch gereedschap uit de buurt van regen of vocht. Als er water in een elektrisch apparaat binnendringt, bestaat er een verhoogde kans op een elektrische schok.
- d) Gebruik het netsnoer niet voor een ander gebruik dan het bedoelde gebruik, bijvoorbeeld om het elektrische gereedschap te dragen, om het op te hangen of om de stekker uit het stopcontact te trekken. Houd het snoer uit de buurt van hittebronnen, olie, scherpe randen of bewegende onderdelen. Beschadigde of verwarde snoeren verhogen de kans op een elektrische schok.
- e) Gebruik bij het werken met elektrisch gereedschap buitenshuis alleen verlengsnoeren die zijn goedgekeurd voor gebruik buitenshuis. Het gebruik van een verlengsnoer dat geschikt is voor gebruik buitenshuis, vermindert het risico op een elektrische schok.
- f) Gebruik een aardlekschakelaar als het gebruik van het elektrische gereedschap in een vochtige omgeving onvermijdelijk is. Het gebruik van een aardlekschakelaar vermindert het risico op een elektrische schok.

## 3. Veiligheid van personen

- a) Wees altijd alert, let op wat u doet en gebruik uw gezond verstand bij het gebruik van elektrisch gereedschap. Gebruik geen elektrisch gereedschap als u moe bent of onder invloed bent van drugs, alcohol of medicijnen. Een moment van onoplettendheid kan bij het gebruik van het elektrische gereedschap al tot ernstig letsel leiden.
- b) Draag persoonlijke beschermingsmiddelen en draag altijd een veiligheidsbril. Het dragen van persoonlijke beschermingsmiddelen zoals een stofmasker, antislip-veiligheidsschoenen, veiligheidshelm of gehoorbescherming, al naargelang het type en het gebruik van het elektrische gereedschap, vermindert het risico op letsel.
- c) Voorkom onbedoelde inschakeling. Zorg ervoor dat het elektrische gereedschap is uitgeschakeld voordat u het aansluit op de netvoeding en/of de accu, het optilt of draagt. Als u bij het dragen van het elektrische gereedschap uw vinger op de aan-/uitknop houdt of het apparaat al ingeschakeld op de netvoeding aansluit, kan dit tot ongelukken leiden.
- d) Verwijder het afstelgereedschap of de sleutel voordat u het elektrische gereedschap aanzet. Gereedschap of een sleutel die zich in een draaiend onderdeel van het apparaat bevindt, kan letsel tot gevolg hebben.
- e) Voorkom een abnormale lichaamshouding. Zorg dat u stevig staat en bewaar altijd uw evenwicht. Daardoor kunt u het elektrische gereedschap in onverwachte situaties beter controleren.
- f) Draag geschikte kleding. Draag geen wijde kleding of sieraden. Houd haar, kleding en handschoenen uit de buurt van bewegende onderdelen. Loszittende kleding, sieraden of haren kunnen door bewegende onderdelen gegrepen worden.
- g) Als het mogelijk is om stofafzuigings- en -opvangvoorzieningen te installeren, zorg er dan voor dat deze zijn aangesloten en correct worden gebruikt. Het gebruik van een stofafzuiging kan risico's door stof beperken.

#### 4. Gebruik en behandeling van het elektrische gereedschap

- a) Voorkom overbelasting van het apparaat. Gebruik voor uw werkzaamheden het daarvoor voorziene elektrische gereedschap. Met een passend elektrisch gereedschap werkt u beter en veiliger in het aangegeven vermogensbereik.
- b) Gebruik geen elektrisch gereedschap waarvan de aan-/uitknop defect is. Elektrisch gereedschap dat niet meer aan- of uitgezet kan worden, is gevaarlijk en moet worden gerepareerd.
- c) Haal de stekker uit het stopcontact en/of verwijder de accu voordat u het apparaat instelt, accessoires verwisselt of het apparaat weglegt. Deze voorzorgsmaatregel voorkomt dat het elektrische gereedschap onbedoeld wordt ingeschakeld.
- d) Berg elektrisch gereedschap buiten het bereik van kinderen op wanneer het niet in gebruik is. Zorg ervoor dat het apparaat niet wordt gebruikt door personen die hiermee niet vertrouwd zijn of die deze instructies niet hebben gelezen. Elektrisch gereedschap is gevaarlijk als het door onervaren personen wordt gebruikt.
- e) Onderhoud elektrisch gereedschap zorgvuldig. Controleer of bewegende onderdelen naar behoren werken en niet klemmen, en of er geen onderdelen gebroken of zodanig beschadigd zijn dat daardoor de werking van het elektrische gereedschap nadelig wordt beïnvloed. Laat beschadigde onderdelen repareren voordat u het apparaat in gebruik neemt. Veel ongelukken zijn het gevolg van slecht onderhoud van elektrisch gereedschap.
- f) Houd snijgereedschappen scherp en schoon. Met zorg onderhouden snijgereedschappen met scherpe snijkanten lopen minder vaak vast en zijn gemakkelijker te sturen.
- g) Gebruik elektrisch gereedschap, accessoires, opzetgereedschappen en dergelijke in overeenstemming met deze instructies. Houd daarbij rekening met de werkomstandigheden en de te verrichten werkzaamheden. Het gebruik van elektrisch gereedschap voor andere doeleinden dan de beoogde toepassingen kan tot gevaarlijke situaties leiden.

#### 5. Service

- a) Laat uw elektrische gereedschap alleen door gekwalificeerde vakmensen en uitsluitend met originele vervangingsonderdelen repareren. Op die manier blijft de veiligheid van het elektrische gereedschap gewaarborgd.

#### Aanvullende veiligheidsvoorschriften voor bandzagen

- Pak het gereedschap alleen vast aan de geïsoleerde greepvlakken wanneer u werkzaamheden uitvoert waarbij het zaaggereedschap met verborgen elektriciteitsleidingen of met het eigen aansluit snoer in aanraking kan komen. Bij contact tussen het zaaggereedschap en een leiding waar spanning op staat, kunnen ook metalen onderdelen van het apparaat onder spanning komen te staan, met een elektrische schok tot gevolg.
- Houd uw handen uit de buurt van het zaagbereik en het zaagblad.
- Zorg er voorafgaand aan het gebruik altijd voor dat de draagbare bandzaag schoon is.
- Stop het gebruik altijd onmiddellijk wanneer u iets ongewoons opmerkt.
- Vergewis u er voorafgaand aan gebruik van het gereedschap altijd van dat alle componenten volgens de voorschriften en veilig zijn gemonteerd.
- Wees altijd voorzichtig wanneer u het bandzaagblad aanbrengt of verwijdert.
- Houd uw handen uit de buurt van het zaagtraject van het bandzaagblad.
- Wacht voordat u gaat zagen altijd tot de motor het volledige toerental heeft bereikt.

- Houd de handgrepen altijd droog, schoon en vrij van olie en vet. Houd het gereedschap tijdens de werkzaamheden goed vast.
- Blijf altijd attent, vooral bij zich herhalende, monotone werkzaamheden. Let altijd op de juiste positie van de handen ten opzichte van het zaagblad.
- Verwijder nooit de werkstukaanslag.
- Blijf uit de buurt van uiteinden van het materiaal die na het zagen op de grond vallen. Ze kunnen heet, scherp en/of zwaar zijn. Dit kan ernstig letsel veroorzaken.
- Luchtopeningen dekken vaak bewegende onderdelen af en moeten worden vrijgehouden. Loszittende kleding, sieraden of lang haar kunnen door de bewegende onderdelen worden gegrepen.

### **⚠ WAARSCHUWING!**

- Dit elektrische gereedschap genereert tijdens het bedrijf een elektromagnetisch veld. Dit veld kan onder bepaalde omstandigheden actieve of passieve medische implantaten beïnvloeden. Om het gevaar voor ernstig of fataal letsel te verminderen, adviseren wij personen met medische implantaten om hun arts en de fabrikant van het medische implantaat te raadplegen alvorens het elektrische apparaat te bedienen.

## **Originale accessoires/hulp-apparaat**

Gebruik alleen accessoires en hulpstukken die vermeld staan in de gebruiksaanwijzing resp. waarvan gebruik compatibel is met het apparaat.

## **Vóór de ingebruikname**

### **⚠ WAARSCHUWING! LETSELGEVAAR!**



Haal de stekker altijd uit het stopcontact voordat u werkzaamheden aan het apparaat uitvoert.

## **Montage**

Let op: alle onderdelen zijn voormonteerd. De aanwijzingen zijn alleen bestemd voor eventuele onderhoudswerkzaamheden.

### **Handgreep monteren (voorgemonteerd)**

- ◆ Houd de handgreep **9** in de gewenste positie (zie afbeeldingen uitvouwpagina)
- ◆ Schuif de vleugelschroef **10** door de handgreep **9** en de behuizing en draai hem vast.

### **Bankschroef monteren (voorgemonteerd)**

- ◆ Bevestig de bankschroef **16** met behulp van de meegeleverde 4 cilinderkopschroeven met binzenzeskant **17** in de hiervoor bestemde gaten aan de achterkant van het zaagplateau (zie afb. C op de uitvouwpagina). Gebruik daarvoor een 5 mm inbussleutel (niet meegeleverd).

### **Zaaghoekregelaar op het zaagplateau monteren (voorgemonteerd)**

- ◆ Draai de schroef **20** van de zaaghoekregelaar **18** volledig los. Steek de schroef **20** van onder af door de hoekuitsparing op het zaagplateau **24** en draai deze met behulp van de zaaghoekregelaar **18** weer vast (zie afb. D op de uitvouwpagina).
- ◆ Bevestig met een lange vleugelschroef **19** de zwenkarm **22** door het andere gat op het zaagplateau **24** (zie afb. D op de uitvouwpagina).



## Bandzaag op de zwenkarm monteren

Als u het apparaat in combinatie met het zaagplateau **24** wilt gebruiken, gaat u als volgt te werk:

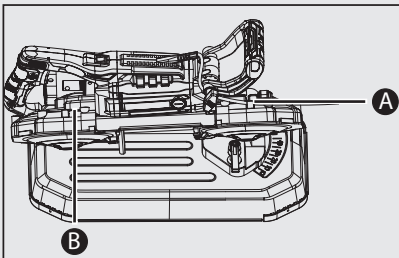
- ◆ Bevestig de zwenkarm **22** met behulp van de meegeleverde 3 lange vleugelschroeven **19** in de hiervoor bestemde gaten van de apparaat-behuizing (zie afb. E op de uitvoerpagina).

### OPMERKING

- ▶ Bij levering kan de moer **21a** te strak zijn aangedraaid. Draai de moer **21a** een beetje los met een moersleutel (sleutelmaat 19).
- ▶ Draai van tijd tot tijd de moer **21a** met een moersleutel (sleutelmaat 19) vast, als de zwenkarm **22** te veel speling krijgt.

### ⚠ WAARSCHUWING!

- ▶ De bandzaag mag alleen zonder zaagplateau **24** worden gebruikt wanneer de gebruiker een veilige, rustige stand aanneemt. Bovendien moet het werkstuk op een werkbank worden beveiligd tegen wegglijden.
- ▶ Zorg ervoor dat het netsnoer niet in de buurt van het zaagblad kan komen.
- ▶ Als u het apparaat in combinatie met het zaagplateau wilt gebruiken, bevestigt u het netsnoer met de kabelhouder **A**, zoals weergegeven op de volgende afbeelding:



- ▶ Bij elk ander gebruik moet de kabelgeleiding met behulp van de kabelhouder **A** **B** zodanig worden gerealiseerd, dat het snoer nooit in de zone van het zaagplateau, het werkvlak of een andere gevarenzone terecht kan komen.

## Instellingen uitvoeren

### Handgreep verstellen

- ◆ Om de handgreep **9** te verstellen, draait u de vleugelschroef **10** op de handgreep los.
- ◆ Draai de handgreep **9** in de gewenste positie.
- ◆ Draai de vleugelschroef **10** weer vast.

### De bankschroef gebruiken

- ◆ Draai de handgreep op de bankschroef **15** rechtsom om het werkstuk vast te klemmen.
- ◆ Draai de handgreep op de bankschroef **15** linksom om het werkstuk los te maken.

### OPMERKING

- ▶ U kunt ook de klem **15a** omhoog klappen om de bankschroef **15** sneller te kunnen instellen. Klap de klem **15a** weer omlaag om de bankschroef **15** te vergrendelen. Pas vervolgens de instelling verder aan met behulp van de handgreep van de bankschroef **15**.

### Transportbeveiliging

- ◆ Trek de borgpen **21** uit om de bandzaag omhoog te kunnen brengen.
- ◆ Breng de bandzaag omlaag en druk de borgpen **21** naar binnen. Nu kunt u de bandzaag met het zaagplateau makkelijker transporteren.

### Zaaghoek instellen (verstekhoek)

- ◆ Draai de zaaghoekregelaar **18** linksom los.
- ◆ Stel de gewenste zaaghoek in aan de hand van de aangegeven graden.
- ◆ Draai de zaaghoekregelaar **18** rechtsom vast.

## Werkstukaanslag instellen

- Bij normaal gebruik moet de werkstukaanslag 4 in de onderste positie zijn vastgezet.
- ◆ Als de werkstukaanslag 4 het zagen hindert, kunt u de schroef van de werkstukaanslag 5 losdraaien. Gebruik daarvoor de meegeleverde kleine inbussleutel 6. Zo kunt u de werkstukaanslag 4 omhoog schuiven. Maak de werkstukaanslag 4 daarna weer vast met de schroef van de werkstukaanslag 5.

## Zaagblad verwisselen

### ! WAARSCHUWING! LETSELGEVAAR!

- Draag veiligheidshandschoenen om letsel te voorkomen.

### OPMERKING

- Zaagbladen kunnen worden nabesteld via onze service-hotline.

- ◆ Maak de spanhendel van het zaagblad 8 linksom mee los.
- ◆ Verwijder de beide borgschroeven 12 met de kleine inbussleutel 6. Neem de beide kapjes 11 af.
- ◆ Verwijder voorzichtig het zaagblad 7. Begin bij de geleiderollen 14 (zie afb. B op de uitvouwpagina).
- ◆ Verwijder eventuele zaagspaanders met een kwastje of perslucht.
- ◆ Schuif het zaagblad 7 met de zaagtanden omhoog in de geleiderollen 14. Let erop dat de geleiderollen 14 het zaagblad 7 volledig grijpen.

### OPMERKING

- Let erop dat de richtingspijl op het zaagblad 7 (indien aanwezig) overeenkomt met die op de rubberwieltjes 13.

- ◆ Leg het zaagblad 7 om de beide rubberwieltjes.
- ◆ Trek de spanhendel van het zaagblad 8 met de wijzers van de klok weer vast.
- ◆ Bevestig de beide kapjes 11 weer.

### ! WAARSCHUWING! LETSELGEVAAR!

- Gebruik het apparaat uitsluitend met bevestigde kapjes 11!

- ◆ Voer een test uit door het apparaat een paar keer even in en uit te schakelen, om vast te stellen of het zaagblad correct is bevestigd.

### ! WAARSCHUWING! LETSELGEVAAR!

- Blijf met uw lichaam tijdens het testen uit de buurt van het zaagbereik!

## Ingebruikname

### Apparaat in- en uitschakelen

#### Inschakelen

- ◆ Houd de aan-/uitknop 3 ingedrukt.

#### Uitschakelen

- ◆ Laat de aan-/uitknop 3 los.

### Werklampje in- en uitschakelen

#### Inschakelen

- ◆ Zet de lichtschakelaar 1 op stand I. Het werklampje 23 brandt.

#### Uitschakelen

- ◆ Zet de lichtschakelaar 1 op stand O. Het werklampje 23 dooft.

### Toerental instellen

- ◆ Zet het toerental-regelwiel 2 op een stand tussen 1 en 6.

## Werkinstructies

- ◆ Beveilig het werkstuk tegen wegglijden, bijv. met de bankschroef **16** van het zaagplateau.
- ◆ Benut bij het zagen het eigen gewicht van de zaag. Oefen geen extra druk uit.
- ◆ Wacht tot de zaag zijn volledige toerental heeft bereikt, voordat u hem voorzichtig met het werkstuk in contact brengt.
- ◆ Schakel het apparaat onmiddellijk uit als het zaagblad **7** blokkeert.
- ◆ Draai het zaagblad **7** niet tijdens het zagen.
- ◆ Zorg ervoor dat het apparaat stabiel en stevig staat. Voor extra veiligheid kunt u het apparaat op een geschikte plek bevestigen. Via de 4 boorgaten **25** kunt u het apparaat op een stevige en egale ondergrond bevestigen. Steek daartoe voor de ondergrond geschikt bevestigingsmateriaal (niet meegeleverd) door de 4 boorgaten **25**.

### **WAARSCHUWING! LETSELGEVAAR!**

- ▶ Verwijder het werkstuk pas nadat de zaag tot stilstand is gekomen.

## Reiniging en onderhoud

### **WAARSCHUWING! LETSELGEVAAR!**

- ▶ Haal de stekker altijd uit het stopcontact voordat u werkzaamheden aan het apparaat uitvoert.
- Berg het apparaat en de zaagbladen op een droge en stofvrije plaats op.
- Het apparaat moet altijd schoon en vrij van olie of smeervet zijn.
- Gebruik voor het schoonmaken van de behuizing een droge doek.
- Zorg ervoor dat de koolborstels uitsluitend worden vervangen door onze klantenservice of een erkend technicus.

- Ventilatieopeningen moeten altijd vrij zijn.
- Verwijder vastzittend zaagstof met een kwastje.

### OPMERKING

- ▶ Niet vermelde vervangingsonderdelen (bijv. koolborstels, schakelaars, zaagbladen) kunt u bestellen via onze service-hotline.

## Afvoeren



De verpakking bestaat uit milieuvriendelijke materialen, die u via de plaatselijke recyclepunten kunt afvoeren.



### Deponeer elektrisch gereedschap niet bij het huisvuil!

Conform de Europese richtlijn 2012/19/EU moet afgedankt elektrisch gereedschap gescheiden worden ingezameld en op een milieuvriendelijke wijze worden gerecycled.

Informatie over mogelijkheden voor het afvoeren van het afgedankte apparaat krijgt u bij uw gemeentereinigingsdienst.



Voer de verpakking af overeenkomstig de milieuvoorschriften. Let op de aanduiding op de verschillende verpakkingsmaterialen en voer ze zo nodig gescheiden af. De verpakkingsmaterialen zijn voorzien van afkortingen (a) en cijfers (b) met de volgende betekenis: 1-7: kunststoffen, 20-22: papier en karton, 80-98: composietmaterialen.



Meer informatie over het afvoeren van het afgedankte product kunt u inwinnen bij de gemeentereiniging.



Het product is recyclebaar; er is een uitgebreide producentenverantwoordelijkheid op van toepassing en het afval wordt gescheiden ingezameld.

## **Garantie van Kompersnaß Handels GmbH**

Geachte klant,

U hebt op dit apparaat 3 jaar garantie vanaf de aankoopdatum. In geval van gebreken in dit product hebt u wettelijke rechten tegenover de verkoper van het product. Deze wettelijke rechten worden door onze hierna beschreven garantie niet beperkt.

### **Garantievoorwaarden**

De garantieperiode geldt vanaf de datum van aankoop. Bewaar de kassabon zorgvuldig. U hebt hem nodig als bewijs van aankoop.

Als er binnen drie jaar vanaf de aankoopdatum van dit product een materiaal- of fabricagefout optreedt, wordt - naar onze keuze - het product door ons kosteloos gerepareerd of vervangen of wordt de koopprijs terugbetaald. Voorwaarde voor deze garantie is dat het defecte apparaat en het aankoopbewijs (kassabon) binnen de termijn van drie jaar worden overlegd en dat kort wordt omschreven waaruit het gebrek bestaat en wanneer het is opgetreden.

Wanneer het defect door onze garantie wordt gedekt, krijgt u het gerepareerde product of een nieuw product retour. Met de reparatie of vervanging van het product begint er geen nieuwe garantieperiode.

### **Garantieperiode en wettelijke aanspraken bij gebreken**

De garantieperiode wordt door deze waarborg niet verlengd. Dat geldt ook voor vervangen en gerepareerde onderdelen. Eventueel al bij aankoop aanwezige schade en gebreken moeten meteen na het uitpakken worden gemeld. Voor reparaties na afloop van de garantieperiode worden kosten in rekening gebracht.

### **Garantieomvang**

Het apparaat is op basis van strenge kwaliteitsnormen met de grootst mogelijke zorg vervaardigd en voorafgaand aan de levering nauwkeurig gecontroleerd.

De garantie geldt voor materiaal- of fabricagefouten. Deze garantie geldt niet voor productonderdelen die onderhevig zijn aan normale slijtage en die daarom als slijtonderdelen worden beschouwd, of voor schade aan breekbare onderdelen zoals schakelaars of onderdelen die van glas zijn gemaakt.

Deze garantie vervalt wanneer het product is beschadigd, ondeskundig is gebruikt of is gerepareerd. Voor deskundig gebruik van het product moeten alle in de gebruiksaanwijzing beschreven aanwijzingen precies worden opgevolgd. Gebruiksdoeleinden en handelingen die in de gebruiksaanwijzing worden afgeraden of waarvoor wordt gewaarschuwd, moeten beslist worden vermeden.

Het product is uitsluitend bestemd voor privégebruik en niet voor bedrijfsmatige doeleinden. Bij verkeerd gebruik en ondeskundige behandeling, bij gebruik van geweld en bij reparaties die niet door ons erkend servicefiliaal zijn uitgevoerd, vervalt de garantie.

### Garantieperiode geldt niet bij

- normale afname van de accucapaciteit
- commercieel/bedrijfsmatig gebruik van het product
- beschadiging of modificatie van het product door de klant
- niet-naleving van de veiligheids- en onderhoudsvoorschriften, bedieningsfouten
- schade door natuurrampen

### Afhandeling bij een garantiekwestie

Voor een snelle afhandeling van uw aanvraag neemt u de volgende aanwijzingen in acht:

- Houd voor alle aanvragen de kassabon en het artikelnummer (bijv. IAN 12345) als aankoopbewijs bij de hand.
- Het artikelnummer vindt u op het typeplaatje van het product, op het product gegraveerd, op de titelpagina van de gebruiksaanwijzing (linksomder) of op de sticker op de achter- of onderkant van het product.
- Als er fouten in de werking of andere gebreken optreden, neemt u eerst contact op met de hierna genoemde serviceafdeling, **telefonisch** of **via e-mail**.
- Een als defect geregistreerd product kunt u dan zonder portokosten naar het aan u doorgegeven serviceadres sturen. Voeg het aankoopbewijs (kassabon) bij en vermeld waaruit het gebrek bestaat en wanneer het is opgetreden.



Op [www.lidl-service.com](http://www.lidl-service.com) kunt u deze en vele andere handleidingen, productvideo's en installatiesoftware downloaden.

Met deze QR-code gaat u direct naar de website van Lidl Service ([www.lidl-service.com](http://www.lidl-service.com)) en kunt u met het invoeren van het artikelnummer (IAN 364705\_2101) de gebruiksaanwijzing openen.

### WAARSCHUWING!

- ▶ Laat uw apparaten door het servicepunt of een elektricien repareren, en uitsluitend met originele vervangingsonderdelen. Op die manier blijft de veiligheid van het apparaat gewaarborgd.
- ▶ Laat de stekker of het snoer altijd vervangen door de fabrikant van het apparaat of diens klantenservice. Op die manier blijft de veiligheid van het apparaat gewaarborgd.

### Service

**NL Service Nederland**  
Tel.: 0900 0400223 (0,10 EUR/Min.)  
E-Mail: [kompermass@lidl.nl](mailto:kompermass@lidl.nl)

**BE Service België**  
Tel.: 070 270 171 (0,15 EUR/Min.)  
E-Mail: [kompermass@lidl.be](mailto:kompermass@lidl.be)

IAN 364705\_2101

### Importeur

Let op: het volgende adres is geen serviceadres. Neem eerst contact op met het opgegeven serviceadres.

KOMPERNASS HANDELS GMBH  
BURGSTRASSE 21  
44867 BOCHUM  
DUITSLAND  
[www.kompermass.com](http://www.kompermass.com)

## Vertaling van de oorspronkelijke conformiteitsverklaring

Wij, KOMPENASS HANDELS GMBH, documentverantwoordelijke: de heer Semi Uguzlu, BURGSTR. 21, 44867 BOCHUM, DUITSLAND, verklaren hierbij dat dit product voldoet aan de volgende normen, normatieve documenten en EU-richtlijnen:

**Machinerichtlijn**  
(2006/42/EC)

**Elektromagnetische compatibiliteit**  
(2014/30/EU)

**RoHS-richtlijn**  
(2011/65/EU)\*

\* De volledige verantwoordelijkheid voor het uitreiken van deze conformiteitsverklaring ligt bij de fabrikant. Het hierboven beschreven object van de verklaring voldoet aan de voorschriften van de Richtlijn 2011/65/EU van het Europees Parlement en de Raad van 8 juni 2011 aangaande de beperking van het gebruik van bepaalde gevaarlijke stoffen in elektrische en elektronische apparaten.

### Toegepaste geharmoniseerde normen

EN 60745-1:2009/A11:2010

EN 60745-2-20:2009

EN 55014-1:2017

EN 55014-2:2015

EN 61000-3-2:2014

EN 61000-3-3:2013

EN IEC 63000:2018

**Type/apparaatbeschrijving:** Metaalbandzaag PMB 1100 B2

**Productiejaar:** 04-2021

**Serienummer:** IAN 364705\_2101

Bochum, 18-02-2021



Semi Uguzlu  
- Kwaliteitsmanager -

Technische wijzigingen vanwege verdere ontwikkeling voorbehouden.

# Obsah

<b>Úvod</b> .....	<b>52</b>
Použití v souladu s určením .....	52
Vybavení .....	52
Rozsah dodávky .....	52
Technické údaje .....	52
<b>Obecné bezpečnostní pokyny pro elektrická nářadí</b> .....	<b>53</b>
1. Bezpečnost na pracovišti .....	53
2. Elektrická bezpečnost .....	54
3. Bezpečnost osob .....	54
4. Použití elektrického nářadí a manipulace s ním .....	55
5. Servis .....	55
Dodatečné bezpečnostní pokyny pro pásové pily .....	55
Originální příslušenství/originální přídavná zařízení .....	56
<b>Před uvedením do provozu</b> .....	<b>56</b>
Montáž .....	56
Provedení nastavení .....	57
Výměna pilového listu .....	58
<b>Uvedení do provozu</b> .....	<b>58</b>
Zapnutí a vypnutí přístroje .....	58
Zapnutí a vypnutí pracovního světlometu .....	58
Nastavení otáček .....	58
Pracovní pokyny .....	59
<b>Čištění a údržba</b> .....	<b>59</b>
<b>Likvidace</b> .....	<b>59</b>
<b>Záruka společnosti Kompnass Handels GmbH</b> .....	<b>60</b>
<b>Servis</b> .....	<b>61</b>
<b>Dovozce</b> .....	<b>61</b>
<b>Překlad originálu prohlášení o shodě</b> .....	<b>62</b>

## KOVOVÁ PÁSOVÁ PILA PMB 1100 B2

### Úvod

Blahopřejeme vám k zakoupení vašeho nového přístroje. Rozhodli jste se tím pro vysoce kvalitní výrobek. Návod k obsluze je součástí tohoto výrobku. Obsahuje důležité informace o bezpečnosti, použití a likvidaci. Před použitím výrobku se seznámete se všemi provozními a bezpečnostními pokyny. Výrobek používejte pouze předepsaným způsobem a pro uvedené oblasti použití. Při předávání výrobku třetím osobám předejte spolu s ním i tyto podklady.

### Použití v souladu s určením

Přístroj je primárně určen k řezání kovových trubek nebo profilů.

Jakékoli jiné použití nebo úprava přístroje jsou považovány za použití v rozporu s určením a představuje závažné nebezpečí zranění. Přístroj nikdy nepoužívejte ke komerčním účelům.

### Vybavení

- 1 světelný spínač
- 2 stavěcí kolečko otáček
- 3 vypínač
- 4 doraz obrobku
- 5 dorazový šroub obrobku
- 6 klíč s vnitřním šestihranem malý
- 7 pilový list
- 8 upínací páka pilového listu

### Obrázek A

- 9 rukojeť
- 10 křídlatý šroub na rukojeti
- 11 ochranné kryty
- 12 pojistné šrouby

### Obrázek B

- 13 gumová kolečka
- 14 vodící kladky

### Obrázek C

- 15 rukojeť na svěráku
- 15a rychlé přestavení
- 16 svěrák
- 17 šrouby s válcovou hlavou s vnitřním šestihranem

### Obrázek D

- 18 přestavení úhlu řezu
- 19 dlouhý křídlatý šroub
- 20 šroub přestavení úhlu řezu
- 21 pojistný kolík
- 21a matice
- 22 otočné rameno

### Obrázek E

- 23 pracovní světlo
- 24 pilovací deska
- 25 otvory

### Rozsah dodávky

- 1 kovová pásová pila
- 1 pilovací deska (předmontováno)
- 4 křídlaté šrouby dlouhé (předmontované)
- 4 šrouby s válcovou hlavou s vnitřním šestihranem (předmontované)
- 1 klíč s vnitřním šestihranem malý (4 mm)
- 1 klíč s vnitřním šestihranem velký (6 mm)
- 1 návod k obsluze

### Technické údaje

Domezovací napětí	230 V ~, 50 Hz (střídavý proud)
Domezovací příkon	1100 W
Šířka řezu při 90°	127 mm x 127 mm (bez pilovací desky)
Šířka řezu při 45°	127 mm x 40 mm (bez pilovací desky)
Domezovací volnoběžné otáčky	$n_0$ 0–290 min <sup>-1</sup>
Rychlost pilového pásu	0–2,4 m/s
Řezy se sklonem	0° – 45°
Třída ochrany	II/□ (dvojitá izolace)



## Hodnota emisí hluku

Naměřená hodnota hluku stanovená dle EN 60745. Typická hladina hluku elektrického nářadí s hodnocením A:

Hladina akustického tlaku	$L_{PA} = 90,7 \text{ dB (A)}$
Nejistota K	$K_{PA} = 3 \text{ dB}$
Hladina akustického výkonu	$L_{WA} = 101,7 \text{ dB (A)}$
Nejistota K	$K_{WA} = 3 \text{ dB}$



**Používejte ochranu sluchu!**



**Před uvedením do provozu si přečtěte návod k obsluze!**

## Celkové hodnoty vibrací

(součet vektorů tří směrů) zjištěny v souladu s EN 60745:

Řezání kovu	$a_{h,CM} = 6,94 \text{ m/s}^2$
Nejistota	$K = 1,5 \text{ m/s}^2$
Řezání dřeva	$a_{h,CW} = 6,25 \text{ m/s}^2$
Nejistota	$K = 1,5 \text{ m/s}^2$

## UPOZORNĚNÍ

- ▶ Uvedené hodnoty emise vibrací a uvedené hodnoty emise hluku byly měřeny pomocí standardizované zkušební metody a lze je použít pro srovnání elektrického nářadí s jiným nářadím.
- ▶ Uvedené hodnoty emise vibrací a uvedené hodnoty emise hluku lze rovněž použít k předběžnému posouzení zatížení.

## VÝSTRAHA!

- ▶ Emise vibrací a hluku se mohou lišit během skutečného používání elektrického nářadí od uvedených hodnot v závislosti na způsobu, kterým se elektrické nářadí používá, zejména na způsobu, jakým je obrobek opracováván.

## VÝSTRAHA!

- ▶ Snažte se udržovat zatížení co nejnižší. Příkladem opatření ke snížení zatížení vibracemi je použití rukavic při práci s nářadím a omezení doby práce s nářadím. Přitom se musí zohlednit všechny části provozního cyklu (například časy, kdy je elektrické nářadí vypnuté, a časy, kdy je sice zapnuté, ale běží bez zatížení).



## Obecné bezpečnostní pokyny pro elektrická nářadí

## VÝSTRAHA!

- ▶ Přečtěte si veškerá bezpečnostní upozornění a pokyny. Nedbalost při dodržování bezpečnostních upozornění a pokynů může vést k úrazu elektrickým proudem, k požáru a/nebo těžkým zraněním.

## Veškerá bezpečnostní upozornění a pokyny uschovejte pro budoucí použití.

Pojem „elektrické nářadí“ používaný v bezpečnostních pokynech se vztahuje na elektrická nářadí napájená ze sítě (síťovým kabelem) a elektrická nářadí provozovaná s akumulátorem (bez síťového kabelu).

### 1. Bezpečnost na pracovišti

- Pracovní prostor udržujte v čistotě a dobře osvětlený.** Nepořádek a neosvětlený pracovní prostor mohou vést k úrazům.
- S elektrickým nářadím nepracujte v prostředí ohroženém výbuchem, ve kterém se nachází hořlavé kapaliny, plyny nebo prach.** Elektrické nářadí vytváří jiskry, od nichž se může vznítit prach nebo výpary.
- Nedovolte dětem ani jiným osobám, aby se přibližovaly k elektrickému nářadí v době, kdy ho používáte.** V případě odvedení pozornosti můžete ztratit kontrolu nad přístrojem.

## 2. Elektrická bezpečnost

- a) Přípojná zástrčka elektrického nářadí musí odpovídat zásuvce. Zástrčka se nesmí žádným způsobem pozměňovat. Nepoužívejte adaptérové zástrčky v kombinaci s uzemněným elektrickým nářadím. Nepozměněné zástrčky a jím odpovídající zásuvky snižují riziko úrazu elektrickým proudem.
- b) Zabraňte kontaktu těla s uzemněnými povrchy, např. od trubek, topení, sporáků a chladniček. Je-li vaše tělo uzemněné, hrozí zvýšené riziko úrazu elektrickým proudem.
- c) Elektrická nářadí chráňte před deštěm a vlhkostí. Při vniknutí vody do elektrického přístroje se zvyšuje riziko úrazu elektrickým proudem.
- d) Nepoužívejte kabel v rozporu s jeho určením pro přenášení či zavěšování elektrického nářadí nebo k vytahování zástrčky ze zásuvky. Udržujte kabel v dostatečné vzdálenosti od zdrojů vysoké teploty, oleje, ostrých hran nebo pohyblivých částí přístroje. Poškozené nebo zapletené kabely zvyšují riziko úrazu elektrickým proudem.
- e) Pokud pracujete s elektrickým nářadím venku, používejte pouze takové prodlužovací kabely, jež jsou schváleny i pro venkovní použití. Používáním prodlužovacího kabelu vhodného pro venkovní použití se snižuje riziko úrazu elektrickým proudem.
- f) Pokud nelze zabránit provozu elektrického nářadí ve vlhkém prostředí, používejte proudový chránič. Použitím proudového chrániče se snižuje riziko úrazu elektrickým proudem.

## 3. Bezpečnost osob

- a) Buďte stále pozorní, sledujte své počínání a k práci s elektrickým nářadím přistupujte s rozumem. Elektrické nářadí nepoužívejte, jste-li unavení nebo pod vlivem drog, alkoholu či léků. Jediný okamžik nepozornosti při používání elektrického nářadí může způsobit vážná zranění.
- b) Noste osobní ochranné prostředky a vždy i ochranné brýle. Nošením osobních ochranných prostředků jako je ochranná maska proti prachu, protiskluzová bezpečnostní obuv, ochranná přilba nebo ochrana sluchu, a to v závislosti na druhu a použití elektrického nářadí, se snižuje riziko zranění.
- c) Zabraňte neúmyslnému uvedení přístroje do provozu. Než elektrické nářadí zapojíte do elektrické sítě a/nebo připojíte akumulátor nebo než nářadí zvednete či přenesete, ujistěte se, že je vypnuté. Pokud máte při přenášení elektrického nářadí prst na vypínači nebo pokud do sítě zapojíte již zapnutý přístroj, může dojít k úrazu.
- d) Než elektrické nářadí zapnete, odstraňte seřizovací nástroje nebo šroubováky. Pokud se nástroj nebo šroubovák nachází v otáčející se části přístroje, může to vést ke zraněním.
- e) Vyhýbejte se nepřírozenému držení těla. Zajistěte si bezpečnou stabilitu a neustále udržujte rovnováhu. Tak dokážete elektrické nářadí v neočekávaných situacích lépe kontrolovat.
- f) Noste vhodný oděv. Nenoste volné oblečení ani šperky. Vlasy, oděv a rukavice udržujte v bezpečné vzdálenosti od pohyblivých částí. Volný a nepřiléhavý oděv, šperky nebo dlouhé vlasy mohou být pohyblivými částmi zachyceny.
- g) Pokud lze namontovat zařízení pro odsávání a zachytávání prachu, ujistěte se, zda jsou připojena a správně použita. Použitím odsávání prachu se může snížit ohrožení prachem.

## 4. Použití elektrického nářadí a manipulace s ním

- a) **Přístroj nepřetěžujte.** Pro práci používejte elektrické nářadí vhodné k danému účelu. S vhodným elektrickým nářadím se vám bude v uvedeném výkonovém rozsahu pracovat lépe a bezpečněji.
- b) **Nepoužívejte elektrické nářadí, jehož spínač je vadný.** Elektrické nářadí, které se již nedá zapnout nebo vypnout, představuje nebezpečí a musí se opravit.
- c) **Před nastavováním nářadí, výměnou dílů příslušenství nebo odložením nářadí vytáhněte zástrčku ze zásuvky a/nebo vyjměte akumulátor.** Toto bezpečnostní opatření zabraňuje neúmyslnému spuštění elektrického nářadí.
- d) **Nepoužívaná elektrická nářadí uchovávejte mimo dosah dětí. Nedovolte používat přístroj osobám, které s ním nejsou obeznámeny nebo které nečetly tyto pokyny.** Elektrické nářadí je nebezpečné, manipulují-li s ním nezkušené osoby.
- e) **Údržbu elektrických nářadí vykonávejte pečlivě.** Zkontrolujte, zda jsou v pořádku pohyblivé části přístroje a zda jim není bráněno v pohybu, zda nejsou některé součásti rozbité nebo natolik poškozené, že je funkčnost elektrického nářadí omezena. Poškozené části přístroje nechte před jeho použitím opravit. Řada úrazů má svou příčinu ve špatné údržbě elektrického nářadí.
- f) **Řezné nástroje udržujte v ostrém a čistém stavu.** Pečlivě udržované řezné nástroje s ostrými řeznými hranami se méně zasekávají a snáze se vedou.
- g) **Elektrické nářadí, příslušenství, výměnné nástroje atd. používejte dle těchto pokynů.** Zohledněte přitom pracovní podmínky a vykonávanou činnost. Použití elektrického nářadí k jiným než určeným účelům může vést ke vzniku nebezpečných situací.

## 5. Servis

- a) **Nechte své elektrické nářadí opravovat pouze kvalifikovanými odborníky a používejte jen originální náhradní díly.** Tím zajistíte, že zůstane zachována bezpečnost elektrického nářadí.

## Dodatečné bezpečnostní pokyny pro pásové pily

- **Přístroj držte za izolované plochy držadla, když provádíte práce, při nichž by řezný nástroj mohl přijít do kontaktu se skrytými vedeními nebo svým přívodním kabelem.** Kontakt řezných nástrojů s vedením pod napětím může vést k přívodu napětí ke kovovým dílům přístroje a způsobit zásah elektrickým proudem.
- Rukama se nedotýkejte oblasti řezání a pilového listu.
- Před použitím vždy dbejte na to, aby přenosná pásová pila byla čistá.
- Pokud si všimnete něčeho neobvyklého, vždy ihned přestaňte pracovat.
- Před použitím nástroje se vždy ujistěte, zda jsou všechny součásti řádně a bezpečně namontovány.
- Při upevňování nebo odstraňování pilového listu vždy buďte opatrní.
- Ruce vždy udržujte mimo dosah řezné dráhy pilového listu.
- Před řezáním vždy počkejte, až motor dosáhne plných otáček.
- Udržujte rukojeti vždy suché, čisté a bez oleje a mastnoty. Během práce držte nástroj pevně.
- Vždy buďte opatrní, zejména při opakujících se monotónních operacích. Dbejte vždy na správnou polohu rukou vzhledem k pilovému listu.
- Nikdy neodstraňujte doraz obrobku.

- Udržujte odstup od koncových kusů, které po řezání odpadnou. Mohou být horké, ostré a/ nebo těžké. To by mohlo způsobit vážná zranění.
- Větrací otvory často zakrývají pohyblivé části a měly by být udržovány volné. Volný oděv, šperky nebo dlouhé vlasy se mohou zachytit v pohyblivých částech.

### VÝSTRAHA!

- ▶ Toto elektrické nářadí vytváří během provozu elektromagnetické pole. Toto pole za určitých okolností může omezit aktivní nebo pasivní lékařské implantáty. Ke snížení rizika vážných či smrtelných zranění doporučujeme osobám s lékařskými implantáty poradit se svým lékařem a výrobcem lékařských implantátů ještě před obsluhou elektrického nářadí.

## Originální příslušenství/originální přídavná zařízení

Používejte pouze příslušenství a přídavná zařízení uvedená v návodu k obsluze, resp. taková, jejichž upínání je s přístrojem kompatibilní.

## Před uvedením do provozu

### VÝSTRAHA! NEBEZPEČÍ ZRANĚNÍ!



Před prováděním prací na přístroji vytáhněte vždy sířovou zástrčku ze zásuvky.

### Montáž

Upozorňujeme, že jsou všechny díly předmontované. Pokyny slouží pouze k případné údržbě.

#### Montáž rukojeti (předmontované)

- ◆ Rukojeť **9** držte v poloze na odpovídajícím místě (viz obrázky na výklopné straně)
- ◆ Zasuňte křídlový šroub **10** rukojeti **9** a pláštěm a utáhněte ho.

#### Montáž svěráku (předmontované)

- ◆ Svěrák **16** upevněte pomocí dodaných 4 šroubů s válcovou hlavou s vnitřním šestihranem **17** do odpovídajících otvorů na zadní straně pilovací desky (viz obr. C na výklopné straně). K tomu použijte klíč s vnitřním šestihranem 5 mm (není součástí dodávky).

#### Montáž přestavení úhlu řezu na pilovací desku (předmontované)

- ◆ Zcela uvolněte šroub **20** přestavení úhlu řezu **18**. Prostrčte šroub **20** zesponu vybráním v konzole na pilovací desce **23** a pomocí přestavení úhlu řezu **18** opět utáhněte (viz obr. D na výklopné straně).
- ◆ Dlouhým křídlatým šroubem **19** upevněte otočné rameno **22** druhým otvorem na pilovací desce **24** (viz obr. D na výklopné straně).

## Montáž pásové pily na otočném ramenu

Chcete-li přístroj používat pomocí pilovací desky **24**, postupujte takto:

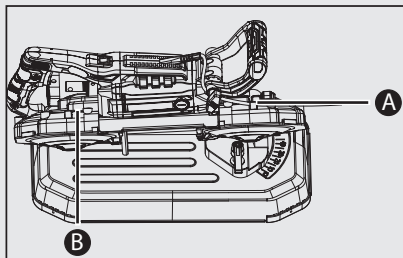
- ◆ Otočné rameno **22** upevněte pomocí dodaných 3 dlouhých křídlatých šroubů **19** do odpovídajících otvorů krytu přístroje (viz obr. E na výklopné straně).

### UPOZORNĚNÍ

- ▶ Ve stavu při dodání může být matice **21a** příliš pevně utažená. Matici **21a** mírně povolte klíčem na šrouby vel. 19.
- ▶ Pokud má otočné rameno **22** příliš velkou vůli, dotáhněte občas matici **21a** klíčem na šrouby vel. 19.

### VÝSTRAHA!

- ▶ Pásová pila se smí používat bez pilovací desky **24**, pouze pokud uživatel zaujal bezpečný a klidný postoj. Kromě toho musí být obrobek zajištěn proti sklouznutí na pracovním stole.
- ▶ Vždy se ujistěte, že se napájecí kabel nemůže dostat do blízkosti pilového listu.
- ▶ Chcete-li přístroj používat s pilovací deskou, upevněte síťový kabel držákem kabelu **A**, jak je znázorněno na následujícím obrázku.



- ▶ Při každém jiném použití musí být vedení kabelu upraveno pomocí držáku kabelu **A** **B** tak, aby se kabel nikdy nemohl dostat do oblasti pily, pracovní nebo jiné nebezpečné oblasti.

## Provedení nastavení

### Přestavení rukojeti

- ◆ Chcete-li přestavit rukojeť **9**, povolte křídlatý šroub **10** na rukojeti.
- ◆ Otočte rukojeť **9** do požadované polohy.
- ◆ Křídlatý šroub **10** opět pevně utáhněte.

### Použití svěráku

- ◆ Otočte rukojeť na svěráku **15** ve směru hodinových ručiček, aby se obrobek upnul.
- ◆ Otočte rukojeť na svěráku **15** proti směru hodinových ručiček, aby se obrobek uvolnil.

### UPOZORNĚNÍ

- ▶ Rychlé přestavení **15a** můžete také vyklopit nahoru, abyste rychleji provedli nastavení svěráku **15**. Rychlé přestavení **15a** opět sklopte dolů, abyste zajistili svěrák **15**. Poté proveďte přesné nastavení rukojetí svěráku **15**.

### Přepravní pojistka

- ◆ Chcete-li pásovou pilu otočit nahoru, vytáhněte pojistný kolík **21**.
- ◆ Otočte pásovou pilu dolů a zatlačte pojistný kolík **21** dovnitř. Nyní můžete pásovou pilu s pilovou deskou snadněji přepravovat.

### Nastavení úhlu řezu (úhel pokosu)

- ◆ Povolte přestavení úhlu řezu **18** jeho otáčením proti směru hodinových ručiček.
- ◆ Nastavte požadovaný úhel řezu pomocí uvedených stupňů.
- ◆ Utáhněte přestavení úhlu řezu **18** ve směru hodinových ručiček.

## Nastavení dorazu obrobku

- Při normálním provozu musí být doraz obrobku 4 zafixován v nejnižší poloze.
- ◆ Pokud během řezání doraz obrobku 4 překáží, můžete povolit dorazový šroub obrobku 5. K tomu použijte dodaný klíč s vnitřním šestihranem, malý 6. To vám umožní posunout doraz obrobku 4 nahoru. Potom opět zajistěte doraz obrobku 4 dorazovým šroubem obrobku 5.

## Výměna pilového listu

### ⚠ VÝSTRAHA! NEBEZPEČÍ ZRANĚNÍ!

- ▶ Noste bezpečnostní rukavice, aby nedošlo ke zranění.

### UPOZORNĚNÍ

- ▶ Pilové kotouče lze doobjednat na naší servisní lince.
- ◆ Povolte upínací páku pilového listu 8 proti směru hodinových ručiček.
- ◆ Odstraňte oba pojistné šrouby 12 pomocí malého klíče s vnitřním šestihranem 6. Odstraňte oba ochranné kryty 11.
- ◆ Opatrně sejměte pilový list 7. Začněte na vodicích kladkách 14 (viz obr. B na výklopné straně).
- ◆ Odstraňte případně přítomné piliny štětcem nebo stlačeným vzduchem.
- ◆ Zasuňte pilový list 7 s pilovými zuby nahoře do vodicích kladek 14. Dbejte na to, aby vodicí kladky 14 zcela uchopily pilový list 7.

### UPOZORNĚNÍ

- ▶ Dbejte na to, aby šipka směru na pilovém listu 7 (je-li k dispozici) odpovídala šipce směru na gumových kolečkách 13.

- ◆ Položte pilový list 7 kolem obou gumových koleček.
- ◆ Utáhněte napínací páku pilového listu 8 opět ve směru hodinových ručiček.
- ◆ Opět namontujte oba ochranné kryty 11.

### ⚠ VÝSTRAHA! NEBEZPEČÍ ZRANĚNÍ!

- ▶ Přístroj provozujte pouze s namontovanými ochrannými kryty 11!

- ◆ Proveďte zkušební chod tím, že přístroj několikrát krátce zapnete a vypnete, abyste zjistili, zda je pilový list správně usazen.

### ⚠ VÝSTRAHA! NEBEZPEČÍ ZRANĚNÍ!

- ▶ Během zkušební chodu udržujte své tělo mimo oblast řezání!

## Uvedení do provozu

### Zapnutí a vypnutí přístroje

#### Zapnutí

- ◆ Podržte stisknutý vypínač 3.

#### Vypnutí

- ◆ Pusťte vypínač 3.

### Zapnutí a vypnutí pracovního světlometu

#### Zapnutí

- ◆ Světelný spínač 1 nastavte do polohy I. Pracovní světlomet 23 svítí.

#### Vypnutí

- ◆ Světelný spínač 1 nastavte do polohy 0. Pracovní světlomet 23 zhasne.

### Nastavení otáček

- ◆ Stavěcí kolečko otáček 2 nastavte do polohy mezi 1 a 6.

## Pracovní pokyny

- ◆ Zajistěte obrobek proti sklouznutí, např. svěrákem **16** pilovací desky.
- ◆ Při řezání použijte vlastní hmotnost pily. Nevytvíjejte dodatečný tlak.
- ◆ Než pilu opatrně uvedete do kontaktu s obrobkem, počkejte, až pila dosáhne plných otáček.
- ◆ Pokud se pilový list **7** zablokuje, přístroj ihned vypněte.
- ◆ Během řezání nepootočte pilový list **7**.
- ◆ Dbejte na stabilní a bezpečnou stabilitu přístroje. Přístroj lze pro bezpečnost upevnit na vhodném místě. K upevnění na pevném a rovném podkladu jsou v noze krytu vyvrtány 4 otvory **25**. K tomu účelu vedte vhodný upevňovací materiál odpovídající podkladu (není součástí dodávky) skrze tyto 4 otvory **25**. Přístroj upevněte na podkladu upevňovacím materiálem.

### **⚠ VÝSTRAHA! NEBEZPEČÍ ZRANĚNÍ!**

- ▶ Obrobek odstraňte až po zastavení pily.

## Čištění a údržba

### **⚠ VÝSTRAHA! NEBEZPEČÍ ZRANĚNÍ!**

- ▶ Před prováděním prací na přístroji vytáhněte vždy síťovou zástrčku ze zásuvky.
- Ushovejte přístroj a pilové listy na suchém a před prachem chráněném místě.
- Přístroj musí být vždy čistý a zbavený oleje a mazi.
- K čištění povrchu používejte suchý hadřík.
- Výměnu uhlíkových kartáčů nechte provést výlučně příslušným servisem nebo autorizovanou odbornou dílnou.

- Větrací otvory musí být vždy volné.
- Ulpívající prachové piliny odstraňte štětcem.

### UPOZORNĚNÍ

- ▶ Neuvedené náhradní díly (jako např. uhlíkové kartáčky, spínače, pilové listy) můžete objednat na naší servisní a poradenské lince.

## Likvidace



Obal se skládá z ekologických materiálů, které lze zlikvidovat v komunálních sběrných dvorech.



### **Nevyhazujte elektrické nářadí do domovního odpadu!**

V souladu s evropskou směrnicí č. 2012/19/EU musejí být opořířebována elektrická nářadí shromažďována odděleně a odevzdána k ekologické recyklaci.

Informace o možnostech likvidace vysloužilého přístroje Vám poskytnou obecní nebo městský úřad.



Obal zlikvidujte ekologicky. Dbejte na označení na různých obalových materiálech a v případě potřeby tyto obaly roztříděte. Obalové materiály jsou označeny zkratkami (a) a číslicemi (b) s následujícím významem: 1–7: plasty, 20–22: papír a lepenka, 80–98: kompozitní materiály.



Informace o možnostech likvidace vysloužilého výrobku vám podá správa vašeho obecního nebo městského úřadu.



Výrobek je recyklovatelný, podléhá rozšířené odpovědnosti výrobce a je shromažďován odděleně.

## Záruka společnosti Kompernass Handels GmbH

Vážená zákaznice, vážený zákazník,

na tento přístroj získáváte záruku v trvání 3 let od data zakoupení. V případě závad tohoto výrobku máte zákonná práva vůči prodejci výrobku. Tato zákonná práva nejsou omezena naší níže uvedenou zárukou.

### Záruční podmínky

Záruční doba začíná plynout dnem nákupu. Dobře uschovejte pokladní doklad. Tento doklad je potřebný jako důkaz o koupi.

Pokud se do tří let od data zakoupení tohoto výrobku vyskytne vada materiálu nebo výrobní závada, pak Vám podle našeho uvážení výrobek zdarma opravíme, vyměníme nebo uhradíme kupní cenu. Předpokladem této záruky je, že bude během tříleté lhůty předložen vadný přístroj a doklad o koupi (pokladní doklad) a stručně se popíše, v čem závada spočívá a kdy se vyskytla.

Vztahuje-li se na závadu naše záruka, obdržíte zpět buď opravený nebo nový produkt. Opravou nebo výměnou výrobku nezačne plynout nová záruční doba.

### Záruční doba a zákonné nároky vyplývající ze závad

Záručním plněním se záruční doba neprodlužuje.

To platí i pro vyměněné a opravené součásti.

Poškození nebo vady vyskytující se případně již při nákupu se musí oznámit ihned po vybalení. Po uplynutí záruční doby podléhají veškeré opravy zpoplatnění.

### Rozsah záruky

Přístroj byl vyroben pečlivě podle přísných směrnic kvality a před expedicí byl svědomitě vyzkoušen.

Záruka se vztahuje na materiálové nebo výrobní vady. Tato záruka se nevztahuje

na součásti výrobku, které jsou vystaveny běžnému opotřebením, a proto je lze považovat za spotřební díly, nebo na poškození křehkých součástí, jako jsou např. spínače nebo díly, které jsou vyrobeny ze skla.

Tato záruka zaniká, pokud je výrobek poškozen, nebyl řádně používán nebo udržován. Pro zajištění správného používání výrobku se musí přesně dodržovat všechny pokyny uvedené v návodu k obsluze. Účelům použití a úkonům, které se v návodu k obsluze nedoporučují nebo se před nimi varuje, je třeba se bezpodmínečně vyhnout.

Výrobek je určen pouze pro soukromé účely a ne pro komerční použití. Při nesprávném a neodborném používání, při použití násilí a při zásazích, které nebyly provedeny našimi autorizovanými servisními provozovny, záruční nároky zanikají.

### Záruční lhůta neplatí v těchto případech

- normální opotřebením kapacity akumulátoru
- komerční použití výrobku
- poškození nebo změna výrobku zákazníkem
- nedodržení bezpečnostních předpisů a předpisů údržby, chyby obsluhy
- škody vlivem přírodních živlů



## Vyřízení v případě záruky

Pro zajištění rychlého Vaší žádosti postupujte podle následujících pokynů:

- Pro všechny dotazy mějte připraven pokladní lístek a číslo výrobku (např. IAN 12345) jako doklad o koupi.
- Číslo výrobku naleznete na typovém štítku na výrobku, rytině na výrobku, na titulní straně návodu k obsluze (vlevo dole) nebo na nálepce na zadní nebo spodní straně výrobku.
- Pokud by se měly vyskytovat funkční vady nebo jiné závady, kontaktujte nejprve níže uvedené servisní oddělení **telefonicky** nebo **e-mailem**.
- Výrobek, zaevidovaný jako vadný výrobek pak můžete při přiložení dokladu o nákupu (pokladní lístek) a při uvedení, v čem spočívá vada a kdy k ní došlo, poslat výrobek pro Vás bez poštovního na adresu, kterou Vám oznámí servis.



Na webových stránkách [www.lidl-service.com](http://www.lidl-service.com) si můžete stáhnout tyto a mnoho dalších příruček, videí o výrobku a instalační software.

Pomocí kódu QR se dostanete přímo na stránku servisu Lidl ([www.lidl-service.com](http://www.lidl-service.com)) a můžete pomocí zadání čísla výrobku (IAN) 364705\_2101 otevřít svůj návod k obsluze.

## ⚠ VÝSTRAHA!

- ▶ Nechte své přístroje opravit v servisní dílně nebo odborným elektrikářem a pouze za použití originálních náhradních dílů. Tím se zajistí, že zůstane zachována bezpečnost přístroje.
- ▶ Výměnu zástrčky nebo síťového kabelu svěřte vždy výrobcí přístroje nebo jeho zákaznickému servisu. Tím se zajistí, že zůstane zachována bezpečnost přístroje.

## Servis

**CZ** Servis Česko

Tel.: 800143873

E-Mail: [kompernass@lidl.cz](mailto:kompernass@lidl.cz)

IAN 364705\_2101

## Dovozce

Dbejte prosím na to, že následující adresa není adresou servisu. Kontaktujte nejprve uvedený servis.

KOMPERNASS HANDELS GMBH

BURGSTRASSE 21

44867 BOCHUM

NĚMECKO

[www.kompernass.com](http://www.kompernass.com)

## Překlad originálu prohlášení o shodě

My, společnost KOMPENASS HANDELS GMBH, osoba odpovědná za dokumentaci: pan Semi Uguzlu, BURGSTR. 21, 44867 BOCHUM, DEUTSCHLAND/NĚMECKO, prohlašujeme, že tento výrobek je ve shodě s následujícími normami, normativními dokumenty a směrnicemi ES:

### Směrnice o strojních zařízeních

(2006/42/EC)

### Směrnice o elektromagnetické kompatibilitě

(2014/30/EU)

### Směrnice o omezení používání nebezpečných látek (RoHS)

(2011/65/EU)\*

\* Výhradní odpovědnost za vystavení tohoto prohlášení o shodě nese výrobce. Výše popsaný předmět prohlášení je v souladu s předpisy směrnice č. 2011/65/EU Evropského parlamentu a Rady z 8. června 2011 o omezení používání určitých nebezpečných látek v elektrických a elektronických zařízeních.

### Použité harmonizované normy

EN 60745-1:2009/A11:2010

EN 60745-2-20:2009

EN 55014-1:2017

EN 55014-2:2015

EN 61000-3-2:2014

EN 61000-3-3:2013

EN IEC 63000:2018

**Typ/označení přístroje:** Kovová pásová pila PMB 1100 B2

**Rok výroby:** 04-2021

**Sériové číslo:** IAN 364705\_2101

Bochum, 18.02.2021



Semi Uguzlu  
- manažer kvality -

Technické změny ve smyslu dalšího vývoje jsou vyhrazeny.

# Spis treści

<b>Wstęp</b> .....	<b>64</b>
Użytkowanie zgodne z przeznaczeniem .....	64
Wyposażenie .....	64
Zakres dostawy .....	64
Dane techniczne .....	65
<b>Ogólne wskazówki bezpieczeństwa dla elektronarzędzi</b> .....	<b>65</b>
1. Bezpieczeństwo na stanowisku pracy .....	66
2. Bezpieczeństwo elektryczne .....	66
3. Bezpieczeństwo osób .....	66
4. Użytkowanie i obsługa elektronarzędzia .....	67
5. Serwis .....	67
Dodatkowe wskazówki bezpieczeństwa dla pilarek taśmowych .....	67
Oryginalne akcesoria i dodatkowy osprzęt .....	68
<b>Przed uruchomieniem</b> .....	<b>68</b>
Montaż .....	68
Dokonywanie ustawień .....	69
Wymiana brzeszczotu .....	70
<b>Uruchomienie</b> .....	<b>70</b>
Włączanie i wyłączenie urządzenia .....	70
Włączanie i wyłączenie lampki roboczej .....	70
Regulacja prędkości obrotowej .....	70
Wskazówki dotyczące pracy .....	71
<b>Czyszczenie i konserwacja</b> .....	<b>71</b>
<b>Utylizacja</b> .....	<b>71</b>
<b>Gwarancja Kompernaß Handels GmbH</b> .....	<b>72</b>
<b>Serwis</b> .....	<b>73</b>
<b>Importer</b> .....	<b>73</b>
<b>Tłumaczenie oryginalnej deklaracji zgodności</b> .....	<b>74</b>

## **PIŁA TAŚMOWA DO METALU PMB 1100 B2**

### **Wstęp**

Gratulujemy zakupu nowego urządzenia. Wybrany produkt charakteryzuje się wysoką jakością. Instrukcja obsługi stanowi część niniejszego produktu. Zawiera ona ważne informacje na temat bezpieczeństwa, użytkowania i utylizacji. Przed rozpoczęciem użytkowania produktu zapoznaj się ze wszystkimi wskazówkami dotyczącymi obsługi i bezpieczeństwa. Produkt należy użytkować wyłącznie zgodnie z zamieszczonym tu opisem oraz w podanym zakresie zastosowań. W przypadku przekazania urządzenia osobie trzeciej należy dołączyć do niego również całą dokumentację.

### **Użytkowanie zgodne z przeznaczeniem**

Urządzenie jest przeznaczone głównie do cięcia metalowych rur lub profili.

Jakiegolwiek inne użycie lub modyfikacje urządzenia traktowane są jako niezgodne z przeznaczeniem i narażają na poważne niebezpieczeństwo wypadku.

Nie używaj urządzenia do celów komercyjnych.

### **Wyposażenie**

- ❶ przełącznik światła
- ❷ pokrętko regulacji prędkości obrotowej
- ❸ włącznik/wyłącznik
- ❹ zderzak obrabianego elementu
- ❺ Śruba zderzaka obrabianego elementu
- ❻ klucz imbusowy (mały)
- ❼ brzeszczot
- ❽ dźwignia naciągu brzeszczotu

#### **Rysunek A**

- ❾ rękojeść
- ❿ śruba motylkowa na rękojeści
- ⓫ osłony ochronne
- ⓬ śruby zabezpieczające

#### **Rysunek B**

- ⓭ kółka gumowe
- ⓮ rolki prowadzące

#### **Rysunek C**

- ⓯ rękojeść na imadło
- ⓰ dźwignia szybkiej regulacji
- ⓱ imadło
- ⓲ Śruby z łbem walcowym z gniazdem imbusowym

#### **Rysunek D**

- ⓳ dźwignia regulacji kąta cięcia
- ⓴ długa śruba motylkowa
- ⓵ śruba dźwigni regulacji kąta cięcia
- ⓶ kołek zabezpieczający
- ⓷ Nakrętka
- ⓸ ramię obrotowe

#### **Rysunek E**

- ⓹ lampka robocza
- ⓺ podstawa pilarki
- ⓻ otwory

### **Zakres dostawy**

- 1 piła taśmowa do metalu
- 1 podstawa pilarki (zamontowane)
- 4 śruby motylkowe długie (wstępnie zmontowane)
- 4 śruby z łbem walcowym z gniazdem imbusowy (zamontowane)
- 1 klucz imbusowy mały (4 mm)
- 1 klucz imbusowy duży (6 mm)
- 1 instrukcja obsługi

## Dane techniczne

Napięcie znamionowe	230 V ~, 50 Hz (prąd przemienny)
Znamionowy pobór mocy	1100 W
Szerokości cięcia przy 90°	127 mm x 127 mm (bez podstawy pilarki)
Szerokości cięcia przy 45°	127 mm x 40 mm (bez podstawy pilarki)
Znamionowa prędkość obrotowa na biegu jałowym	$n_0$ 0-290 obr./min.
Prędkość taśmy tnącej	0-2,4 m/s
Cięcie ukośne	0°-45°
Klasa ochronności	II/Ⓜ (podwójna izolacja)

## Wartość emisji hałasu

Wartość pomiarowa hałasu ustalona zgodnie z normą EN 60745. Skorygowany współczynnikiem A poziom hałasu elektronarzędzia wynosi z reguły:

poziom ciśnienia akustycznego	$l_{pa} = 90,7$ db (a)
niepewność pomiarów k	$k_{pa} = 3$ db
poziom mocy akustycznej	$l_{wa} = 101,7$ db (a)
niepewność pomiarów k	$k_{wa} = 3$ db



**Noś ochronniki słuchu!**



**Przed uruchomieniem przeczytaj instrukcję obsługi!**

## Całkowite wartości drgań

(suma wektorów trzech kierunków) ustalone zgodnie z normą EN 60745:

Cięcie metalu	$a_{h,CM} = 6,94$ m/s <sup>2</sup>
Niepewność pomiarów	$K = 1,5$ m/s <sup>2</sup>
Cięcie drewna	$a_{h,CW} = 6,25$ m/s <sup>2</sup>
Niepewność pomiarów	$K = 1,5$ m/s <sup>2</sup>

## WSKAZÓWKA

- ▶ Podane w tej instrukcji łączne wartości drgań oraz wartości emisji hałasu zostały zmierzone znormalizowaną metodą pomiaru i mogą zostać wykorzystane do porównania jednego elektronarzędzia z innym.
- ▶ Podane łączne wartości drgań oraz podane wartości emisji hałasu mogą posłużyć także do wstępnej oceny stopnia narażenia.

## ⚠ OSTRZEŻENIE!

- ▶ Emisje drgań i hałasu mogą w czasie korzystania z elektronarzędzia różnić się od wskazanych wartości, zależnie od sposobu użytkowania elektronarzędzia, a w szczególności od rodzaju obrabianego przedmiotu.
- ▶ Należy starać się, aby obciążenie było jak najmniejsze. Przykładowe środki ograniczające narażenie na wibracje obejmują noszenie rękawic w trakcie korzystania z narzędzia i ograniczenie czasu pracy. Należy przy tym uwzględnić wszystkie części cyklu pracy (na przykład czasu, przez jakie elektronarzędzie pozostaje wyłączone oraz takie, w których jest ono wprawdzie włączone, ale pracuje bez obciążenia).



**Ogólne wskazówki bezpieczeństwa dla elektronarzędzi**

## ⚠ OSTRZEŻENIE!

- ▶ **Przeczytaj wszystkie wskazówki bezpieczeństwa oraz instrukcję.** Nieprzestrzeganie poniższych wskazówek bezpieczeństwa oraz instrukcji może być przyczyną porażenia prądem elektrycznym, pożaru i/lub ciężkich obrażeń ciała.

**Wszystkie wskazówki bezpieczeństwa oraz instrukcję należy zachować do późniejszego wykorzystania.**

Użyte we wskazówkach bezpieczeństwa pojęcie „elektronarzędzie” dotyczy elektronarzędzi zasilanych z sieci (przez kabel sieciowy) oraz elektronarzędzi zasilanych akumulatorami (bez kabla sieciowego).

## 1. Bezpieczeństwo na stanowisku pracy

- a) Stanowisko pracy należy utrzymywać w czystości i dbać o jego dobre oświetlenie. Nieporządek i niedostateczne oświetlenie mogą być przyczyną wypadków.
- b) Nigdy nie używaj elektronarzędzia w otoczeniu zagrożonym wybuchem, w którym znajdują się łatwopalne ciecze, gazy lub pyły. Elektronarzędzia wytwarzają iskry, które mogą spowodować zapłon pyłu lub oparów.
- c) W trakcie użytkowania elektronarzędzia zwróć uwagę na to, aby w pobliżu nie przebywały dzieci ani żadne inne osoby. W przypadku odwrócenia uwagi od pracy możesz stracić kontrolę nad urządzeniem.

## 2. Bezpieczeństwo elektryczne

- a) Wtyk przyłączeniowy elektronarzędzia musi pasować do gniazda zasilania. Dokonywanie zmian w wtyku jest zabronione. Nigdy nie używaj adapterów wtyków w połączeniu z elektronarzędziami mającymi uziemienie. Oryginalne wtyki oraz pasujące gniazda wtykowe zmniejszają ryzyko porażenia prądem elektrycznym.
- b) Unikaj kontaktu z uziemionymi przedmiotami, takimi jak rury, grzejniki, kuchenki lub lodówki. Gdy twoje ciało jest uziemione, istnieje zwiększone ryzyko porażenia prądem elektrycznym.
- c) Nigdy nie narażaj elektronarzędzia na działanie deszczu ani wilgoci. Przedostanie się wody do wnętrza elektronarzędzia zwiększa ryzyko porażenia prądem elektrycznym.
- d) Nigdy nie chwytaj za kabel, np. w celu przeniesienia bądź zawieszenia elektronarzędzia lub wyciągnięcia wtyku z gniazda zasilania. Trzymaj kabel z dala od źródeł gorąca, oleju, ostrych krawędzi lub poruszających się części urządzenia. Uszkodzone lub poskręcane kable zwiększają ryzyko porażenia prądem elektrycznym.

- e) Podczas pracy z elektronarzędziem na zewnątrz używaj wyłącznie przedłużaczy, które są dopuszczone również do użytku na zewnątrz pomieszczeń. Stosowanie przedłużacza przystosowanego do pracy na zewnątrz zmniejsza ryzyko porażenia prądem elektrycznym.
- f) Jeśli nie da się uniknąć pracy z elektronarzędziem w wilgotnym otoczeniu, zastosuj wyłącznik różnicowoprądowy. Zastosowanie wyłącznika różnicowo-prądowego zmniejsza ryzyko porażenia prądem elektrycznym.

## 3. Bezpieczeństwo osób

- a) Zawsze zachowuj ostrożność i uważaj na to, co robisz. Praca z elektronarzędziem wymaga także zachowania zasad zdrowego rozsądku. Nie korzystaj z elektronarzędzia w stanie przemęczenia, bycia pod wpływem narkotyków, alkoholu lub leków. Nawet chwila nieuwagi podczas korzystania z elektronarzędzia może spowodować poważne obrażenia ciała.
- b) W czasie pracy noś środki ochrony indywidualnej i obowiązkowo okulary ochronne. Korzystanie ze środków ochrony indywidualnej, np. maski przeciwpyłowej, antypoślizgowego obuwia roboczego, kasku lub ochronników słuchu - w zależności od rodzaju zastosowania elektronarzędzia - zmniejsza ryzyko odniesienia obrażeń.
- c) Unikaj sytuacji prowadzących do przypadkowego uruchomienia urządzenia. Przed podłączeniem do zasilania sieciowego i/lub akumulatora, chwyceniem lub przeniesieniem urządzenia upewnij się, że elektronarzędzie jest wyłączone. Trzymanie palca na wyłączniku w trakcie przenoszenia elektronarzędzia lub podłączenie elektronarzędzia do zasilania z wciśniętym już wyłącznikiem może doprowadzić do wypadku.
- d) Przed włączeniem elektronarzędzia usuń z niego wszystkie przyrządy regulacyjne lub klucze. Narzędzie lub klucz pozostawiony w obracającej się części urządzenia może spowodować obrażenia ciała.

- e) Unikaj nienaturalnej postawy ciała. Zadbaj o utrzymanie stabilnej postawy i przez cały czas utrzymuj równowagę. Dzięki temu będziesz mógł lepiej kontrolować elektronarzędzie w przypadku nieoczekiwanych sytuacji.
- f) Noś odpowiednią odzież. Nie noś luźnych ubrań ani biżuterii. Włosy, odzież i rękawice trzymaj z dala od ruchomych części urządzenia. Ruchome części urządzenia mogą pochwycić luźną, odstającą odzież, biżuterię lub długie włosy.
- g) Jeżeli możliwe jest podłączenie odciążu i zbiornika pyłu, upewnij się, że są one podłączone i używane w prawidłowy sposób. Zastosowanie odciążu pyłowego może zmniejszyć zagrożenia związane z zapyleniem.

#### 4. Użytkowanie i obsługa elektronarzędzia

- a) Nie przeciążaj urządzenia. Elektronarzędzia używaj zawsze do ściśle określonego zakresu użytkowania. Z odpowiednim elektronarzędziem pracuje się lepiej i bezpieczniej w podanym zakresie mocy.
  - b) Nie używaj elektronarzędzia z uszkodzonym wyłącznikiem. Elektronarzędzie, które nie daje się włączyć ani wyłączyć, stanowi zagrożenie i musi zostać niezwłocznie przekazane do naprawy.
  - c) Przed dokonaniem ustawień urządzenia, zmianą akcesoriów lub odłożeniem urządzenia na bok wyciągnij wtyk z gniazda wtykowego i/lub wyjmij akumulator. Uniemożliwi to przypadkowe uruchomienie elektronarzędzia.
  - d) Nieużywane elektronarzędzia przechowuj w miejscu niedostępnym dla dzieci. Nie pozwalaj na używanie urządzenia osobom, które nie wiedzą, jak się z nim obchodzić lub nie przeczytały niniejszych instrukcji. Elektronarzędzia w rękach niepowołanych osób stanowią duże zagrożenie.
  - e) Elektronarzędzia wymagają starannej pielęgnacji. Sprawdź, czy ruchome elementy działają prawidłowo i nie blokują się, czy żaden z elementów nie pękł ani nie został uszkodzony w stopniu uniemożliwiającym prawidłowe działanie elektronarzędzia.
- Przed użyciem urządzenia zleć naprawę uszkodzonych części. Przyczyną wielu wypadków z elektronarzędziami jest ich niewłaściwa konserwacja.
- f) Dbaj o to, aby narzędzia skrawające były ostre i czyste. Zadbane narzędzia skrawające z ostrymi ostrzami rzadziej się blokują i pozwalają się lepiej prowadzić.
  - g) Korzystaj z elektronarzędzia, akcesoriów, narzędzi roboczych itd. zgodnie z tymi instrukcjami. Uwzględniaj przy tym warunki pracy i wykonywaną czynność. Używanie elektronarzędzi do celów innych, niż przewiduje to ich przeznaczenie, może doprowadzić do niebezpiecznych sytuacji.

#### 5. Serwis

- a) Naprawy elektronarzędzia zlecaj tylko wykwalifikowanemu specjalście i stosuj do tego wyłącznie oryginalne części zamienne. Zapewni to bezpieczeństwo użytkowania elektronarzędzia.

#### Dodatkowe wskazówki bezpieczeństwa dla pilarek taśmowych

- Podczas prac, przy których narzędzie tnące mogłoby wejść w kontakt z ukrytymi przewodami lub z własnym kablem zasilającym, trzymaj urządzenie za zaizolowane uchwyty. Kontakt narzędzia tnącego z przewodem elektrycznym pod napięciem może spowodować przepływ prądu także w metalowych częściach urządzenia i porażenie prądem elektrycznym.
- Trzymaj ręce z dala od obszaru cięcia i brzeszczotu.
- Przed użyciem zawsze upewnij się, że przenośna pilarka taśmowa jest czysta.
- Przerwij natychmiast pracę, jeśli zauważysz coś niepokojącego.
- Przed użyciem narzędzia zawsze upewnij się, że wszystkie jego składniki są prawidłowo i bezpiecznie zamontowane.
- Zawsze zachowuj ostrożność, gdy montujesz lub usuwasz brzeszczot pilarki taśmowej.

- Trzymaj dłonie zawsze z dala od linii cięcia brzeszczotu pilarki taśmowej.
- Przed piłowaniem zawsze odczekaj, aż silnik osiągnie swoją pełną prędkość obrotową.
- Dbaj, by uchwyty były zawsze suche, czyste oraz niezabrudzone olejem i smarem. Trzymaj mocno narzędzie podczas pracy.
- Zawsze bądź czujny, zwłaszcza podczas wykonywania powtarzających się, monottonnych operacji. Zawsze zwracaj uwagę na prawidłowe położenie rąk względem brzeszczotu.
- Nigdy nie usuwaj zderzaka obrabianego elementu.
- Zachowuj bezpieczny odstęp od końcówek, które odpadają po cięciu. Mogą być one gorące, ostre i/lub ciężkie. Mogłyby to spowodować poważne obrażenia ciała.
- Otwory wentylacyjne często pokrywają ruchome części i powinny być utrzymywane w czystości. Luźna odzież, biżuteria lub długie włosy mogą zostać wciągnięte w ruchome części.

### **OSTRZEŻENIE!**

- ▶ To narzędzie generuje podczas pracy pole elektromagnetyczne. W określonych okolicznościach może ono mieć szkodliwy wpływ na aktywne lub pasywne implanty medyczne. Aby zmniejszyć niebezpieczeństwo poważnych lub śmiertelnych obrażeń ciała, przed przystąpieniem do obsługi elektronarzędzia przez osoby z implantami medycznymi zalecamy im skonsultowanie się z lekarzem i producentem implantu.

### **Oryginalne akcesoria i dodatkowy osprzęt**

Używaj wyłącznie akcesoriów i osprzętu dodatkowego, które zostały wymienione w instrukcji obsługi lub których uchwyt jest kompatybilny z urządzeniem.

## **Przed uruchomieniem**

### **OSTRZEŻENIE!** **NIEBEZPIECZEŃSTWO OBRAZEŃ!**



Przed przystąpieniem do jakichkolwiek prac przy urządzeniu należy wyjąć wtyk sieciowy z gniazda zasilania.

### **Montaż**

Pamiętaj, że wszystkie części są wstępnie zmontowane. Instrukcję dotyczącą tylko ewentualnych prac konserwacyjnych.

#### **Montaż uchwyty (zamontowane)**

- ◆ Przytrzymaj rękojęść **9** na właściwej pozycji w odpowiednim miejscu (patrz ilustracje na rozkładanej stronie)
- ◆ Przełóż śrubę motylkową **10** przez rękojęść **9** i obudowę i dokręć ją.

#### **Montaż imadła (zamontowane)**

- ◆ Zamocuj imadło **15** za pomocą dołączonych 4 śrub z łbem walcowym z gniazdem imbusowym **17** w odpowiednich otworach na spodzie podstawy pilarki (patrz rys. C na rozkładanej stronie). Użyj do tego celu klucza imbusowego 5 mm (brak w zestawie).

#### **Montaż dźwigni regulacji kąta cięcia na podstawie pilarki (zamontowane)**

- ◆ Odkręć całkowicie śrubę **20** dźwigni regulacji kąta cięcia **18**. Włóż śrubę **20** od dołu przez kątowe wgłębienie na podstawie pilarki **24** i ponownie dokręć ją za pomocą dźwigni regulacji kąta cięcia **18** (patrz Rys. D na rozkładanej stronie).
- ◆ Za pomocą dłuższej śruby motylkowej **19** zamocuj ramię obrotowe **22** przez drugi otwór w podstawie pilarki **24** (patrz Rys. D na rozkładanej stronie).



## Montaż pilarki taśmowej na ramieniu obrotowym

Jeśli chcesz używać urządzenia za pomocą podstawy pilarki **24**, wykonaj następujące czynności:

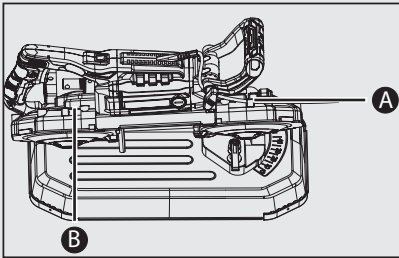
- ◆ Zamocuj ramię obrotowe **22** za pomocą dotychczasowych 3 długich śrub motylkowych **19** w odpowiednich otworach obudowy urządzenia (patrz Rys. E na rozkładanej stronie).

### WSKAZÓWKA

- ▶ W dostarczonej produkcji nakrętka **21a** może być za mocno dokręcona. Poluzuj nieco nakrętkę **21a** za pomocą klucza płaskiego o rozm. 19.
- ▶ Od czasu do czasu dokręć nakrętkę **21a** kluczem 19 mm, jeśli ramię obrotowe **22** ma za duży luz.

### ! OSTRZEŻENIE!

- ▶ Pilarka taśmowa może być używana bez podstawy pilarki **24** tylko wtedy, gdy użytkownik przyjmie bezpieczną i stabilną postawę. Przedmiot obrabiany musi być również zabezpieczony przed ześlizgnięciem na stole warsztatowym.
- ▶ Zawsze upewnij się, że przewód zasilający nie może zbliżyć się do brzości.
- ▶ Jeśli chcesz używać urządzenia ze stołem piły, przymocuj kabel zasilający za pomocą uchwytu kabla **A** w sposób pokazany na poniższej ilustracji:



- ▶ W przypadku wszelkich innych zastosowań kabel należy ułożyć z wykorzystaniem uchwytów kablowych **A** **B**, tak aby kabel nigdy nie mógł dostać się do obszaru pilarki / obszaru roboczego lub innego obszaru niebezpiecznego.

## Dokonywanie ustawień

### Przestawianie rękojeści

- ◆ Aby przestawić rękojeść **9**, odkręć śrubę motylkową **10** na rękojeści.
- ◆ Obróć rękojeść **9** w żądane położenie.
- ◆ Dokręć ponownie śrubę motylkową **10**.

### Korzystanie z imadła

- ◆ Obróć rękojeść imadła **15** w prawo, aby zamocować obrabiany przedmiot.
- ◆ Obróć rękojeść imadła **15** w lewo, aby zwolnić obrabiany przedmiot.

### WSKAZÓWKA

- ▶ Dźwignię szybkiej regulacji **15a** można również złożyć do góry, aby szybciej wyregulować imadło **16**. Złóż dźwignię szybkiej regulacji **15a** ponownie w dół, aby zamocować imadło **16**. Następnie wykonaj dokładną regulację za pomocą rękojeści imadła **15**.

### Zabezpieczenie transportowe

- ◆ Wyciągnij kotek zabezpieczający **21**, aby móc odchylić piłę taśmową do góry.
- ◆ Opuść piłę taśmową w dół i wciśnij kotek zabezpieczający **21**. Teraz możesz łatwiej przetransportować piłę taśmową wraz ze stołem.

### Regulacja kąta cięcia (kątownik)

- ◆ Zwolnij dźwignię regulacji kąta cięcia **18**, obracając je w lewo.
- ◆ Ustaw żądany kąt cięcia według podanych stopni.
- ◆ Przekręć dźwignię regulacji kąta cięcia **18** do oporu w prawo.

## Regulacja zderzaka obrabianego elementu

- W normalnym trybie pracy zderzak obrabianego elementu **4** musi być zamocowany w najniższym położeniu.
- ◆ Jeżeli zderzak obrabianego elementu **4** przeszkadza podczas cięcia, można odkręcić jego śrubę **5**. Użyj do tego celu dołączonego, małego klucza imbusowego **6**. W ten sposób możesz przesunąć zderzak obrabianego elementu **4** do góry. Następnie ponownie zamocuj zderzak obrabianego elementu **4** za pomocą jego śruby **5**.

## Wymiana brzeszczotu

### **⚠ OSTRZEŻENIE!** **NIEBEZPIECZEŃSTWO OBRAŻEŃ!**

- ▶ Noś rękawice ochronne, aby uniknąć obrażeń.

### **WSKAZÓWKA**

- ▶ Brzeszczoty można zamówić ponownie za pośrednictwem naszej infolinii serwisowej.
- ◆ Odkręć dźwignię naciągu brzeszczotu **8** w prawo lewo.
- ◆ Usuń obie śruby zabezpieczające **12** za pomocą małego klucza imbusowego **6**. Zdejmij obie osłony ochronne **11**.
- ◆ Zdejmij ostrożnie brzeszczot **7**. Zaczynij od rolek prowadzących **14** (patrz Rys. B na rozkładanej stronie).
- ◆ Usuń istniejące ewentualnie wióry przy pomocy pędzla lub sprężonego powietrza.
- ◆ Wsuń brzeszczot **7** zębami do góry do rolek prowadzących **14**. Zwróć uwagę, aby rolki prowadzące **14** całkowicie obejmowały brzeszczot **7**.

### **WSKAZÓWKA**

- ▶ Zwróć uwagę, aby strzałka kierunkowa na brzeszczocie **7** (jeśli występuje) była zgodna ze strzałką na kółkach gumowych **13**.

- ◆ Umieść brzeszczot **7** wokół obu gumowych kółek.
- ◆ Dokręć ponownie dźwignię naciągu brzeszczotu **8** w prawo.
- ◆ Zamontuj ponownie obydwie osłony ochronne **11**.

### **⚠ OSTRZEŻENIE!** **NIEBEZPIECZEŃSTWO OBRAŻEŃ!**

- ▶ Używaj urządzenia tylko z zamontowanymi osłonami ochronnymi **11**!

- ◆ Przeprowadź uruchomienie próbne, krótko włączając i wyłączając urządzenie kilka razy, aby sprawdzić, czy brzeszczot jest prawidłowo osadzony.

### **⚠ OSTRZEŻENIE!** **NIEBEZPIECZEŃSTWO OBRAŻEŃ!**

- ▶ Podczas uruchomienia próbnego trzymaj ciało z dala od strefy cięcia!

## Uruchomienie

### Włączanie i wyłączanie urządzenia

#### Włączanie

- ◆ Przytrzymaj wciśnięty włącznik/wyłącznik **3**.

#### Wyłączanie

- ◆ Zwolnij włącznik/wyłącznik **3**.

### Włączanie i wyłączanie lampki roboczej

#### Włączanie

- ◆ Ustaw przełącznik światła **1** w położeniu I. Lampka robocza **23** świeci się.

#### Wyłączanie

- ◆ Ustaw przełącznik światła **1** w położeniu 0. Lampka robocza **23** gaśnie.

### Regulacja prędkości obrotowej

- ◆ Ustaw pokrętko regulacji prędkości obrotowej **2** na pozycji między 1 i 6.

## Wskazówki dotyczące pracy

- ◆ Zabezpiecz obrabiany element przed przesunięciem, np. za pomocą imadła **(15)** podstawy pilarki.
- ◆ Podczas cięcia wykorzystuj masę własną pilarki. Nie dociskaj dodatkowo urządzenia.
- ◆ Odczekaj, aż pilarka osiągnie swoją pełną prędkość obrotową, zanim wejdzie ostrożnie w kontakt z obrabianym elementem.
- ◆ Jeżeli brzeszczot **(7)** się zablokuje, natychmiast wyłącz urządzenie.
- ◆ Nie skręcaj brzeszczotu **(7)** podczas cięcia.
- ◆ Zadbaj o stabilne i bezpieczne rozstawienie urządzenia. Ze względów bezpieczeństwa urządzenie można zamocować w odpowiednim miejscu. Do montażu na twardej i płaskiej powierzchni w podstawie obudowy znajdują się 4 otwory **(25)**. W tym celu należy odpowiedni, właściwy dla powierzchni mocowania materiał mocujący (brak w zestawie) poprowadzić przez 4 otwory **(25)**. Za pomocą materiału mocującego zamocuj urządzenie do podłoża.

### **⚠ OSTRZEŻENIE!** **NIEBEZPIECZEŃSTWO OBRAŻEŃ!**

- ▶ Usuń obrabiany element dopiero, gdy pilarka całkowicie się zatrzyma.

## Czyszczenie i konserwacja

### **⚠ OSTRZEŻENIE!** **NIEBEZPIECZEŃSTWO OBRAŻEŃ!**

- ▶ Przed przystąpieniem do jakichkolwiek prac przy urządzeniu należy wyjąć wtyk sieciowy z gniazda zasilania.
- Przechowuj urządzenie i brzeszczoty w suchym i chronionym przed kurzem miejscu.
- Urządzenie musi być zawsze czyste, suche i niezabrudzone olejem ani smarem.
- Do czyszczenia obudowy używaj suchej szmatki.
- Wymianę szczotek węglowych zlecaj wyłącznie w punkcie serwisowym lub w innym specjalistycznym warsztacie.

- Otwory wentylacyjne muszą być zawsze wolne od zanieczyszczeń.
- Usuń pędzlem przylegający pył po cięciu.

### WSKAZÓWKA

- ▶ Niewymienione tutaj części zamienne (np. szczotki węglowe, przełączniki, brzeszczoty) można zamówić za pośrednictwem naszej infolinii serwisowej.

## Utylizacja



Opakowanie urządzenia wykonane jest z materiałów przyjaznych dla środowiska naturalnego, które można oddać w lokalnych punktach zbiórki.



**Elektronarzędzi nie wolno wyrzucać razem z odpadami domowymi!**

Zgodnie z dyrektywą europejską 2012/19/EU zużyte elektronarzędzia należy zbierać oddzielnie i poddawać procesowi odzysku z poszanowaniem zasad ochrony środowiska naturalnego.

O informacje na temat utylizacji zużytego urządzenia należy zapytać w najbliższym urzędzie gminy lub miasta.



Opakowania należy utylizować w sposób przyjazny dla środowiska. Przestrzegaj oznaczeń na różnych materiałach opakowaniowych i w razie potrzeby zutylizuj je zgodnie z zasadami segregacji odpadów. Materiały opakowaniowe są oznaczone skrótami (a) i cyframi (b) w następujący sposób: 1–7: tworzywa sztuczne, 20–22: papier i tektura, 80–98: kompozyty.



Informacje na temat możliwości utylizacji wystuzonego produktu można uzyskać w najbliższym urzędzie gminy lub miasta.



Produkt można poddać recyklingowi, podlega rozszerzonej odpowiedzialności producenta i jest zbierany w ramach systemu segregacji odpadów.

## **Gwarancja Kompernaß Handels GmbH**

Szanowny Kliencie,

To urządzenie objęte jest 3-letnią gwarancją, licząc od daty zakupu. W przypadku wad tego produktu, masz gwarantowane ustawowo prawa w stosunku sprzedawcy. Te ustawowe prawa nie są ograniczone przez nasze opisane poniżej warunki gwarancji.

### **Warunki gwarancji**

Okres gwarancji rozpoczyna się od daty zakupu. Należy zachować paragon. Jest on wymagany jako dowód zakupu.

Jeżeli w ciągu trzech lat od daty zakupu produktu ujawni się w nim wada materiałowa lub produkcyjna, produkt zostanie wedle naszego uznania nieodpłatnie naprawiony, wymieniony na nowy lub zostanie zwrócona jego cena. Warunkiem spełnienia tego świadczenia gwarancyjnego jest dostarczenie w trakcie tego trzyletniego okresu uszkodzonego urządzenia wraz z dowodem zakupu (paragonem) oraz krótkim opisem wady i daty jej wystąpienia.

Jeżeli wada jest objęta naszą gwarancją, otrzymasz z powrotem naprawiony lub nowy produkt. Zgodnie z art. 581 §1 niemieckiego kodeksu cywilnego wraz z wymianą produktu lub jego istotnej części rozpoczyna się nowy okres gwarancyjny.

### **Okres gwarancji i ustawowe roszczenia gwarancyjne**

Wykonanie usługi gwarancyjnej nie przedłuża okresu gwarancji. Dotyczy to również wymienionych i naprawionych części. Wszelkie szkody i wady wykryte w chwili zakupu należy zgłosić bezpośrednio po rozpakowaniu urządzenia. Po upływie okresu gwarancji wszelkie naprawy są wykonywane odpłatnie.

### **Zakres gwarancji**

Urządzenie zostało starannie wyprodukowane i poddane przed wysyłką skrupulatnej kontroli jakości.

Gwarancja obejmuje wady materiałowe lub produkcyjne. Niniejsza gwarancja nie obejmuje części produktu, podlegających normalnemu zużyciu, ani uszkodzeń części łatwo łamliwych, np. przełączników, lub części wykonanych ze szkła.

Niniejsza gwarancja traci swoją ważność, jeśli produkt został uszkodzony, nie używano go prawidłowo lub nie serwisowano należycie. W celu zapewnienia prawidłowego stosowania produktu należy ściśle przestrzegać wszystkich instrukcji wymienionych w instrukcjach obsługi. Należy bezwzględnie unikać zastosowania oraz postępowania, których odradza się w instrukcji obsługi lub przed którymi się w niej ostrzega.

Produkt przeznaczony jest wyłącznie do użytku domowego, a nie do zastosowań komercyjnych. Niewłaściwe użytkowanie urządzenia, używanie go w sposób niezgodny z jego przeznaczeniem, użycie siły lub ingerencja w urządzenie, dokonywana poza naszymi autoryzowanymi punktami serwisowymi, powodują utratę gwarancji.

### **Okres gwarancji nie ma zastosowania w następujących przypadkach**

- normalne zużycie pojemności baterii
- komercyjne wykorzystanie produktu
- uszkodzenie lub modyfikacja produktu przez klienta
- nieprzestrzeganie przepisów bezpieczeństwa i konserwacji, błędy w obsłudze
- szkody spowodowane zjawiskami naturalnymi

## Realizacja zobowiązań gwarancyjnych

W celu zapewnienia szybkiego załatwienia sprawy, postępuj zgodnie z poniższymi wskazówkami:

- W przypadku wszelkich pytań przygotuj paragon fiskalny oraz numer artykułu (np. IAN 12345) jako dowód zakupu.
- Numer artykułu można znaleźć na tabliczce znamionowej na produkcie, wygrawerowany na urządzeniu, zapisany na stronie tytułowej instrukcji obsługi (w dolnym lewym rogu) lub na naklejce z tyłu bądź na spodzie urządzenia.
- W przypadku wystąpienia błędów działania lub innych wad, prosimy o kontakt z odpowiednim działem serwisu **telefonicznie** lub **przez e-mail**.
- Zarejestrowany jako wadliwy produkt możesz wtedy wraz z dołączonym dowodem zakupu (paragonem) oraz opisem i datą wystąpienia usterki wystać nieodpłatnie na przekazany wcześniej adres serwisu.



Na stronie [www.lidl-service.com](http://www.lidl-service.com) możesz pobrać te i wiele innych instrukcji, filmów o produktach oraz oprogramowanie instalacyjne.

Za pomocą tego kodu QR możesz przejść bezpośrednio na stronę serwisu Lidl ([www.lidl-service.com](http://www.lidl-service.com)), gdzie możesz otworzyć instrukcję obsługi, wpisując numer artykułu (IAN) 364705\_2101.

### **⚠️ OSTRZEŻENIE!**

- ▶ Naprawy urządzenia zlecaj wyłącznie serwisowi lub elektrykowi, stosując tylko oryginalne części zamienne. Zapewni to odpowiedni poziom bezpieczeństwa użytkownika urządzenia po naprawie.
- ▶ Wymianę wtyku lub kabla przewodu zasilającego powierzaj zawsze producentowi elektronarzędzia lub autoryzowanemu serwisowi. Zapewni to odpowiedni poziom bezpieczeństwa użytkownika urządzenia po naprawie.

## Serwis

**PL Serwis Polska**  
Tel.: 22 397 4996  
E-Mail: [kompernass@lidl.pl](mailto:kompernass@lidl.pl)

IAN 364705\_2101

## Importer

Pamiętaj, że poniższy adres nie jest adresem serwisu. Skontaktuj się najpierw z odpowiednim punktem serwisowym.

KOMPERNASS HANDELS GMBH  
BURGSTRASSE 21  
44867 BOCHUM  
NIEMCY  
[www.kompernass.com](http://www.kompernass.com)

## Tłumaczenie oryginalnej deklaracji zgodności

Firma KOMPERNASS HANDELS GMBH, osoba odpowiedzialna za sporządzenie dokumentacji:  
Semi Uguzlu, BURGSTR. 21, 44867 BOCHUM, NIEMCY, oświadczamy niniejszym, że produkt ten  
jest zgodny z następującymi normami, dokumentami normatywnymi oraz dyrektywami WE:

**Dyrektywa maszynowa**  
(2006/42/EC)

**Dyrektywa w sprawie kompatybilności elektromagnetycznej**  
(2014/30/EU)

**Dyrektywa w sprawie stosowania substancji szkodliwych dla zdrowia**  
(2011/65/EU)\*

\* Wyłączną odpowiedzialność za wystawienie niniejszej deklaracji zgodności ponosi producent. Opisany powyżej przedmiot oświadczenia spełnia wymagania przepisów dyrektywy 2011/65/EU Parlamentu Europejskiego i Rady z 8 czerwca 2011 w sprawie ograniczenia stosowania określonych substancji niebezpiecznych w urządzeniach elektrycznych i elektronicznych.

### Zastosowane normy zharmonizowane

EN 60745-1:2009/A11:2010

EN 60745-2-20:2009

EN 55014-1:2017

EN 55014-2:2015

EN 61000-3-2:2014

EN 61000-3-3:2013

EN IEC 63000:2018

**Typ/nazwa urządzenia:** Piła taśmowa do metalu PMB 1100 B2

**Rok produkcji:** 04-2021

**Numer seryjny:** IAN 364705\_2101

Bochum, dnia 18.02.2021



Semi Uguzlu  
- dyrektor ds. jakości -

Zastrzegamy sobie prawo do wprowadzania zmian technicznych w ramach procesu udoskonalania urządzenia.

# Obsah

<b>Úvod</b> .....	<b>76</b>
Používanie v súlade s určením .....	76
Vybavenie .....	76
Rozsah dodávky .....	76
Technické údaje .....	76
<b>Všeobecné bezpečnostné pokyny pre elektrické náradie</b> .....	<b>77</b>
1. Bezpečnosť na pracovisku .....	77
2. Elektrická bezpečnosť .....	78
3. Bezpečnosť osôb .....	78
4. Manipulácia s elektrickým náradím a jeho používanie .....	79
5. Servis .....	79
Dodatočné bezpečnostné upozornenia pre pásové píly .....	79
Originálne príslušenstvo/originálne prídavné zariadenia .....	80
<b>Pred uvedením do prevádzky</b> .....	<b>80</b>
Montáž .....	80
Vykonanie nastavení .....	81
Výmena pílového listu .....	82
<b>Uvedenie do prevádzky</b> .....	<b>82</b>
Zapnutie a vypnutie prístroja .....	82
Zapnutie a vypnutie pracovného svetidla .....	82
Nastavenie otáčok .....	82
Pracovné pokyny .....	83
<b>Čistenie a údržba</b> .....	<b>83</b>
<b>Likvidácia</b> .....	<b>83</b>
<b>Záruka spoločnosti Kompnass Handels GmbH</b> .....	<b>84</b>
<b>Servis</b> .....	<b>85</b>
<b>Dovozca</b> .....	<b>85</b>
<b>Preklad originálneho vyhlásenia o zhode</b> .....	<b>86</b>

## KOVOVÁ PÁSOVÁ PÍLA PMB 1100 B2

### Úvod

Srdečne vám gratulujeme ku kúpe vášho nového prístroja. Touto kúpou ste sa rozhodli pre výrobok vysokej kvality. Návod na obsluhu je súčasťou tohto výrobku. Obsahuje dôležité upozornenia týkajúce sa bezpečnosti, používania a likvidácie. Pred použitím výrobku sa oboznámte so všetkými pokynmi na obsluhu a bezpečnostnými pokynmi. Výrobok používajte iba podľa opisu a v uvedených oblastiach použitia. Pri postúpení výrobku tretej osobe odovzdajte spolu s ním aj všetky podklady.

### Používanie v súlade s určením

Prístroj je primárne určený na rezanie kovových rúr alebo profilov.

Akékoľvek iné používanie alebo zmeny prístroja sa považujú za používanie v rozpore s určením a súvisia s nimi značné nebezpečenstvá úrazu. Prístroj nepoužívajte na komerčné účely.

### Vybavenie

- 1 Vypínač svetla
- 2 Regulačné koliesko otáčok
- 3 Spínač ZAP/VYP
- 4 Doraz pre obrobok
- 5 Skrutka dorazu pre obrobok
- 6 Kľúč na skrutky s vnútorným šesťhranom malý
- 7 Pílový list
- 8 Upínacia páka pílového listu

### Obrázok A

- 9 Rukoväť
- 10 Krídlová skrutka na rukoväť
- 11 Ochranné kryty
- 12 Poistné skrutky

### Obrázok B

- 13 Gumené kolesá
- 14 Vodiace kladky

### Obrázok C

- 15 Rukoväť na zveráku
- 15a Rýchle prestavenie
- 16 Zverák
- 17 Skrutky s valcovou hlavou a vnútorným šesťhranom

### Obrázok D

- 18 Prestavenie uhla rezu
- 19 Dlhá krídlová skrutka
- 20 Skrutka na prestavenie uhla rezu
- 21 Zaisťovací kolík
- 21a Matica
- 22 Otočné rameno

### Obrázok E

- 23 Pracovné svetidlo
- 24 Doska píly
- 25 Otvory

### Rozsah dodávky

- 1 kovová pásová píla
- 1 doska píly (predmontovaná)
- 4 krídlové skrutky dlhé (predmontované)
- 4 skrutky s valcovou hlavou a vnútorným šesťhranom (predmontované)
- 1 kľúč na skrutky s vnútorným šesťhranom malý (4 mm)
- 1 kľúč na skrutky s vnútorným šesťhranom veľký (6 mm)
- 1 návod na obsluhu

### Technické údaje

Dimenzačné napätie	230 V ~, 50 Hz (striedavý prúd)
Dimenzovaný príkon	1100 W
Šírka rezu pri 90°	127 mm x 127 mm (bez dosky píly)
Šírka rezu pri 45°	127 mm x 40 mm (bez dosky píly)



Dimenzačné otáčky pri chode naprázdno	$n_0$ 0–290 min <sup>-1</sup>
Rýchlosť píloveho pásu	0–2,4 m/s
Rezy v úkose	0°–45°
Trieda ochrany	II/Ⓜ (dvojité izolácia)

### Hodnota emisií hluku

Nameraná hodnota hluku stanovená v súlade s EN 60745. Hodnota hladiny hluku vyhodnotená A elektrického náradia činí typicky:

Hladina akustického tlaku	$L_{PA} = 90,7$ dB (A)
Neurčitost' K	$K_{PA} = 3$ dB
Hladina akustického výkonu	$L_{WA} = 101,7$ dB (A)
Neurčitost' K	$K_{WA} = 3$ dB



**Noste ochranu sluchu!**



**Pred uvedením do prevádzky si prečítajte návod na obsluhu!**

### Hodnoty celkových vibrácií

(súčet vektorov troch smerov) zisťované podľa EN 60745:

Pílenie kovu	$a_{h,CM} = 6,94$ m/s <sup>2</sup>
Neurčitost'	$K = 1,5$ m/s <sup>2</sup>
Pílenie dreva	$a_{h,CW} = 6,25$ m/s <sup>2</sup>
Neurčitost'	$K = 1,5$ m/s <sup>2</sup>

### UPOZORNENIE

- ▶ Uvedené celkové hodnoty vibrácií a uvedené hodnoty emisie hluku boli merané podľa normovaného skúšobného postupu a môžu sa použiť na porovnanie jedného elektrického náradia s druhým.
- ▶ Uvedené celkové hodnoty vibrácií a uvedené hodnoty emisie hluku sa môžu tiež použiť na predbežný odhad zaťaženia.

### ⚠ VÝSTRAHA!

- ▶ Emisie vibrácií a hluku sa môžu líšiť od uvedených hodnôt počas skutočného používania elektrického náradia, v závislosti od spôsobu, akým sa elektrické náradie používa, obzvlášť od druhu obrobku.

### ⚠ VÝSTRAHA!

- ▶ Pokúste sa zaťaženie udržať podľa možnosti na čo najnižšej hodnote. Príkladom opatrení na zníženie zaťaženia vibráciami je nosenie rukavíc pri používaní náradia a obmedzenie pracovného času. Musia sa pritom zohľadniť všetky podiely prevádzkového cyklu (napríklad časy, v priebehu ktorých je elektrické náradie vypnuté a časy, počas ktorých je náradie síce zapnuté, ale beží bez zaťaženia).



## Všeobecné bezpečnostné pokyny pre elektrické náradie

### ⚠ VÝSTRAHA!

- ▶ Prečítajte si všetky bezpečnostné pokyny a upozornenia. Zanedbania pri dodržiavaní bezpečnostných pokynov a upozornení môžu mať za následok zásah elektrickým prúdom, požiar a/alebo ťažké poranenia.

**Pre prípad budúceho použitia uschovajte všetky bezpečnostné pokyny a upozornenia.**

Pojem „elektrické náradie“, používaný v bezpečnostných upozorneniach, sa vzťahuje na elektrické náradie napájané zo siete (so sieťovým káblom) a elektrické náradie prevádzkované s akumulátorom (bez sieťového kábla).

## 1. Bezpečnosť na pracovisku

- Udržiavajte svoje pracovisko v čistote a dobre osvetlené. Neporiadok a neosvetlené pracovné oblasti môžu viesť k úrazom.
- Nepracujte s elektrickým náradím na miestach s nebezpečenstvom výbuchu, na ktorých sa nachádzajú horľavé kvapaliny, plyny alebo prach. Z elektrického náradia vychádzajú iskry, ktoré môžu tento prach alebo výpary zapáliť.
- Počas používania elektrického náradia zabráňte prístupu deťom a iným osobám. Pri odvrátení pozornosti môžete stratiť kontrolu nad prístrojom.

## 2. Elektrická bezpečnosť

- a) Pripájacia zástrčka elektrického náradia musí byť vhodná pre príslušnú zásuvku. Zástrčka sa nesmie žiadnym spôsobom modifikovať. Nepoužívajte sieťové adaptéry spoločne s elektrickým náradím, ktoré má ochranné uzemnenie. Nezmenené zástrčky a vhodné zásuvky znižujú riziko zásahu elektrickým prúdom.
- b) Vyvarujte sa telesnému kontaktu s uzemnenými povrchmi, ako sú potrubia, vykurovacie telesá, sporáky a chladničky. Ak je vaše telo uzemnené, hrozí zvýšené riziko zásahu elektrickým prúdom.
- c) Elektrické náradie chráňte pred dažďom alebo vlhkosťou. Vniknutie vody do elektrického náradia zvyšuje riziko zásahu elektrickým prúdom.
- d) Nepoužívajte kábel na iné účely, ako napr. na nosenie, zavesenie elektrického náradia alebo vyťahovanie zástrčky z elektrickej zásuvky. Kábel udržiavajte mimo zdrojov tepla, oleja, ostrých hrán alebo pohybujúcich sa častí prístroja. Poškodené alebo zamotané káble zvyšujú riziko zásahu elektrickým prúdom.
- e) Ak pracujete s elektrickým náradím vonku, používajte len také predĺžovacie káble, ktoré sú schválené aj pre vonkajšie prostredie. Použitie predĺžovacieho kábla vhodného do vonkajšieho prostredia zníži riziko zásahu elektrickým prúdom.
- f) Ak nie je možné zabrániť prevádzke elektrického náradia vo vlhkom prostredí, použite prúdový chránič. Použitie prúdového chrániča znižuje riziko zásahu elektrickým prúdom.

## 3. Bezpečnosť osôb

- a) Budte vždy pozorní, sledujte čo robíte a pri práci s elektrickým náradím postupujte s rozvahou. Nepoužívajte elektrické náradie, ak ste unavení alebo ste pod vplyvom drog, alkoholu alebo liekov. Aj okamih nepozornosti pri používaní elektrického náradia môže spôsobiť vážne zranenia.
- b) Vždy noste osobné ochranné prostriedky a ochranné okuliare. Nosením osobných ochranných prostriedkov ako je maska proti prachu, protišmyková bezpečnostná obuv, ochranná prilba alebo ochrana sluchu, v závislosti od druhu a použitia elektrického náradia, sa znižuje riziko poranení.
- c) Zabráňte neúmyselnému uvedeniu do prevádzky. Pred zapojením napájania elektrického náradia do siete a/alebo akumulátora a pred jeho zdvíhaním a prenášaním sa presvedčte, či je vypnuté. Ak máte pri prenášaní elektrického náradia prst na spínači alebo ak prístroj zapojíte do zdroja elektrického prúdu v zapnutom stave, môže to viesť k úrazom.
- d) Skôr než zapnete elektrické náradie, odstráňte nastavovacie náradie alebo skrutkovače. Náradie alebo kľúč, ktorý sa nachádza na otáčajúcej sa časti prístroja, môže spôsobiť zranenia.
- e) Predchádzajte neprirodenému držaniu tela. Majte pevný postoj a neustále udržiavajte rovnováhu. Takto môžete elektrické náradie lepšie kontrolovať v neočakávaných situáciách.
- f) Noste vhodný odev. Nenoste voľný odev ani šperky. Vlasy, odev a rukavice udržiavajte v bezpečnej vzdialenosti od pohybujúcich sa dielov. Voľný odev, šperky alebo dlhé vlasy môžu byť zachytené pohybujúcimi sa časťami prístroja.
- g) Ak je možné namontovať zariadenia na odsávanie a zachytávanie prachu, presvedčte sa, či sú tieto zapojené a používané správne. Používanie odsávania prachu môže zredukovať ohrozenie prachom.

## 4. Manipulácia s elektrickým náradím a jeho používanie

- a) Prístroj nepreťažujte. Pri vašej práci používajte len na tento účel určené elektrické náradie. So správnym elektrickým náradím pracujete lepšie a bezpečnejšie v uvedenom rozsahu jeho výkonu.
- b) Nepoužívajte elektrické náradie s poškodeným spínačom. Elektrické náradie, ktoré sa nedá zapnúť alebo vypnúť, je nebezpečné a musí sa opraviť.
- c) Pred akýmkoľvek nastavením, výmenou príslušenstva alebo pred odložením prístroja vyťahnite zástrčku z elektrickej zásuvky a/alebo odstráňte akumulátor. Toto preventívne opatrenie zabraňuje neúmyselnému spusteniu elektrického náradia.
- d) Nepoužívané elektrické náradie uschovávajte mimo dosahu detí. Nedovoľte používať prístroj osobám, ktoré s ním nie sú oboznámené alebo si neprečítali tieto pokyny. Elektrické náradie je nebezpečné, ak ho používajú neskúsené osoby.
- e) Elektrické náradie ošetrujte starostlivo. Skontrolujte, či pohyblivé diely fungujú správne a nie sú zaseknuté, či niektoré diely nie sú zlomené alebo poškodené tak, že by bola obmedzená funkcia elektrického náradia. Pred použitím prístroja nechajte opraviť poškodené diely. Mnohé úrazy sú spôsobené nedostatočnou údržbou elektrického náradia.
- f) Rezné nástroje udržiavajte ostré a čisté. Starostlivo udržiavané rezné nástroje s ostrými reznými hranami sa menej zasekávajú a ľahšie sa dajú viesť.
- g) Elektrické náradie, príslušenstvo, vložené nástroje atď. používajte v súlade s týmito inštrukciami. Zohľadnite pritom pracovné podmienky a činnosť, ktorú budete vykonávať. Použitie elektrického náradia na iný ako určený účel použitia môže mať za následok nebezpečné situácie.

## 5. Servis

- a) Elektrické náradie smie opravovať len kvalifikovaný odborný personál a iba za použitia originálnych náhradných dielov. Takto sa zabezpečí, že zostane zachovaná bezpečnosť elektrického náradia.

## Dodatočné bezpečnostné upozornenia pre pásové píly

- Keď vykonávate práce, pri ktorých sa môže rezačí nástroj dostať do kontaktu so skrytými elektrickými vedeniami alebo jeho prípojným vedením, držte prístroj za izolované úchopné plochy. Kontakt rezačích nástrojov s vedením pod napätím môže viesť pod napätie aj kovové časti prístroja a spôsobiť zásah elektrickým prúdom.
- Držte svoje ruky v bezpečnej vzdialenosti od oblasti pílenia a pilového listu.
- Pred použitím vždy skontrolujte, či je prenosná pásová píla čistá.
- Ak si všimnete niečo neobvyklé, vždy okamžite prestaňte pracovať.
- Pred použitím náradia vždy skontrolujte, či sú všetky komponenty správne a bezpečne namontované.
- Pri vkladaní alebo vyberaní listu pásovej píly buďte vždy opatrní.
- Ruky držte vždy mimo dráhy rezu listu pásovej píly.
- Pred pílením vždy počkajte, kým motor nedosiahne plné otáčky.
- Rukoväť udržiavajte vždy suchú, čistú a bez oleja a tuku. Počas práce držte náradie pevne.
- Vždy buďte opatrní, najmä pri opakujúcich sa monotónnych operáciách. Vždy venujte pozornosť správnej polohe rúk vzhľadom na pilový list.

- Nikdy neodstraňujte doraz pre obrobok.
- Dodržiavajte dostatočnú vzdialenosť od koncových kusov, ktoré po rezaní padnú nadol. Môžu byť horúce, ostré a/alebo ťažké. Mohlo by to viesť k vážnym zraneniam.
- Vetracie otvory často zakrývajú pohyblivé časti a mali by sa udržiavať čisté. V pohyblivých častiach sa môže zachytiť voľne priliehajúce oblečenie, šperky alebo dlhé vlasy.

### **⚠ VÝSTRAHA!**

- ▶ Toto elektrické náradie vytvára počas prevádzky elektromagnetické pole. Toto pole môže za určitých okolností negatívne obmedziť aktívne alebo pasívne medicínske implantáty. Aby sa znížilo riziko vážnych alebo smrteľných poranení, odporúčame osobám s medicínskymi implantátmi, aby sa poradili so svojim lekárom alebo výrobcom medicínskeho implantátu skôr, než budú obsluhovať elektrický nástroj.

### **Originálne príslušenstvo/originálne prídavné zariadenia**

Používajte len príslušenstvo a prídavné zariadenia, ktoré sú uvedené v návode na obsluhu, príp. ktorých upnutie je kompatibilné s prístrojom.

## **Pred uvedením do prevádzky**

### **⚠ VÝSTRAHA! NEBEZPEČENSTVO PORANENIA!**



Na začiatku práce na prístroji vždy vytiahnite sieťovú zástrčku zo zásuvky.

### **Montáž**

Všimnite si, že všetky diely sú predmontované. Pokyny slúžia len na prípadné údržbárske práce.

#### **Montáž rukoväti (predmontované)**

- ◆ Podržte rukoväť **9** na príslušnom mieste v polohe (pozri obrázky na vyklápacej strane)
- ◆ Zasuňte krídlovú skrutku **10** cez rukoväť **9** a teleso a pevne ju dotiahnite.

#### **Montáž zveráka (predmontované)**

- ◆ Pripevnite zverák **16** pomocou 4 dodaných skrutiek s valcovou hlavou a vnútorným šesťhranom **17** do zodpovedajúcich otvorov na zadnej časti dosky píly (pozri obrázok C na roztváracjej strane). Použite na to 5 mm kľúč na skrutky s vnútorným šesťhranom (nie je súčasťou dodávky).

#### **Montáž prestavenia uhla rezu na dosku píly (predmontované)**

- ◆ Úplne uvoľnite skrutku **20** z prestavenia uhla rezu **18**. Zaskrutkujte skrutku **20** zdola cez uhlový výrez na doske píly **24** a znova ju dotiahnite prestavením uhla rezu **18** (pozri obrázok D na roztváracjej strane).
- ◆ Pomocou dlhej krídlovej skrutky **19** upevnite otočné rameno **22** cez druhý otvor na doske píly **24** (pozri obr. D na roztváracjej strane).

## Namontujte pásovú pílu na otočné rameno

Ak chcete prístroj používať pomocou dosky píly 24, postupujte nasledovne:

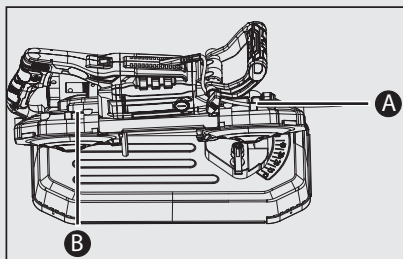
- ◆ Upevnite otočné rameno 22 pomocou 3 dodaných dlhých krídlových skrutiek 19 do zodpovedajúcich otvorov telesa prístroja (pozri obrázok E na roztváracíj strane).

### UPOZORNENIE

- ▶ Matica 21b môže byť pri dodaní príliš dotiahnutá. Maticu 21a trochu povolte pomocou 19 mm skrutkového kľúča.
- ▶ Z času na čas pevne dotiahnite maticu 21a pomocou skrutkovača č. 19 v prípade, že má otočné rameno 22 príliš veľa vôle.

### ! VÝSTRAHA!

- ▶ Pásová píla sa môže používať bez dosky píly 24 iba vtedy, ak má používateľ bezpečnú a stabilnú polohu. Okrem toho musí byť obrobok na pracovnom stole zaistený proti zošmyknutiu.
- ▶ Vždy sa uistite, že sa napájací kábel nemôže dostať do blízkosti pilového listu.
- ▶ Ak chcete používať prístroj s doskou píly, upevnite sieťový kábel pomocou káblového držiaka A, ako je zobrazené na obrázku:



- ▶ Pri každom použití treba vytvoriť vedenie kábla pomocou káblového držiaka A B tak, aby sa kábel nikdy nemohol dostať do píly/pracovnej alebo inej nebezpečnej oblasti.

## Vykonanie nastavení

### Prestavenie rukoväte

- ◆ Na prestavenie rukoväte 9 povolte krídlovú skrutku 10 na rukoväti.
- ◆ Otočte rukoväť 9 do požadovanej polohy.
- ◆ Krídlovú skrutku 10 opäť pevne utiahnite.

### Použite zveráka

- ◆ Otočte rukoväť na skrutkovači 15 v smere hodinových ručičiek, aby ste upli obrobok.
- ◆ Otočte rukoväť na skrutkovači 15 proti smeru hodinových ručičiek, aby ste uvoľnili obrobok.

### UPOZORNENIE

- ▶ Rýchle prestavenie 15a môžete vyklopiť nahor, aby ste nastavenie zveráka 16 mohli vykonať rýchlejšie. Sklopte rýchle prestavenie 15a znova nadol, aby ste zaistili zverák 16. Následne uskutočnite jemné nastavenie pomocou rukoväte skrutkovača 15.

### Prepravná poistka

- ◆ Vytiahnite zaisťovací kolík 21, aby bolo možné pásovú pílu otočiť nahor.
- ◆ Otočte pásovú pílu nadol a zaisťovací kolík 21 zatlačte dovnútra. Teraz môžete pásovú pílu s doskou píly jednoducho prepravovať.

### Nastavenie uhla rezu (uhol skosenia)

- ◆ Uvoľnite prestavenie uhla rezu 18 otočením proti smeru hodinových ručičiek.
- ◆ Nastavte požadovaný uhol rezu pomocou zadaných stupňov.
- ◆ Zatočte prestavenie uhla rezu 18 pevne v smere hodinových ručičiek.

### Nastavenie dorazu pre obrobok

- Pri normálnej prevádzke musí byť doraz pre obrobok 4 upevnený v najnižšej polohe.
- ◆ Ak by mal doraz pre obrobok 4 pri pílení prekážať, môžete uvoľniť skrutku dorazu pre obrobok 5. Použite na to dodaný kľúč na skrutky s vnútorným šesťhranom malý 6. To vám umožní posunúť doraz pre obrobok 4 smerom nahor. Doraz pre obrobok 4 potom znova zaistíte pomocou skrutky dorazu pre obrobok 5.

### Výmena pílového listu

#### **! VÝSTRAHA!** **NEBEZPEČENSTVO PORANENIA!**

- ▶ Noste ochranné rukavice, aby ste zabránili poraneniám.

#### **UPOZORNENIE**

- ▶ Pílové kotúče si môžete doobjednať prostredníctvom našej servisnej linky.
- ◆ Uvoľnite upínaciu páku pílového listu 8 proti smeru hodinových ručičiek.
- ◆ Odstráňte obe poistné skrutky 12 pomocou malého kľúča na skrutky s vnútorným šesťhranom 6. Odstráňte oba ochranné kryty 11.
- ◆ Opatrne vyberte pílový list 7. Začnite na vodiacich kladkách 14 (pozri obr. B na roztváracej strane).
- ◆ Odstráňte všetky prípadné piliny pomocou pištole alebo stlačeného vzduchu.
- ◆ Pílový list 7 zasuniete so zubami píly nahor do vodiacich kladiek 14. Dbajte na to, aby vodiace kladky 14 kompletne uchopovali pílový list 7.

#### **UPOZORNENIE**

- ▶ Dbajte na to, aby sa šípka udávajúca smer na pílovom liste 7 (ak je k dispozícii) sa zhodovala so šípkou na gumených kolesách 13.

- ◆ Pílový list 7 položte okolo obidvoch gumených kolies.
- ◆ Uťahnite upínaciu páku pílového listu 8 opäť v smere hodinových ručičiek.
- ◆ Namontujte späť oba ochranné kryty 11.

#### **! VÝSTRAHA!** **NEBEZPEČENSTVO PORANENIA!**

- ▶ Prístroj prevádzkujte iba s namontovanými ochrannými krytmi 11!

- ◆ Vykonajte skúšobný chod, tak že opakovane krátko zapnete a vypnete napájanie, aby ste zistili, či je pílový list správne vložený.

#### **! VÝSTRAHA!** **NEBEZPEČENSTVO PORANENIA!**

- ▶ Počas skúšobného chodu držte telo mimo oblasti pílenia!

## Uvedenie do prevádzky

### Zapnutie a vypnutie prístroja

#### Zapnutie

- ◆ Stlačte a podržte spínač ZAP/VYP 3.

#### Vypnutie

- ◆ Pustite spínač ZAP/VYP 3.

### Zapnutie a vypnutie pracovného svietidla

#### Zapnutie

- ◆ Prestavte vypínač svetla 1 do polohy I. Pracovné svietidlo 23 svieti.

#### Vypnutie

- ◆ Prestavte vypínač svetla 1 do polohy 0. Pracovné svietidlo 23 zhasne.

### Nastavenie otáčok

- ◆ Nastavte regulačné koliesko otáčok 2 do polohy medzi 1 a 6.

## Pracovné pokyny

- ◆ Obrobok zaistíte proti zošmyknutiu, napríklad zverákom **16** dosky píly.
- ◆ Pri pílení využívajte vlastnú hmotnosť píly. Nevytvárajte žiadny prídavný tlak.
- ◆ Počkajte, kým píla nedosiahne plné otáčky, predtým ako opatrne dostanete pilu do kontaktu s obrobkom.
- ◆ Ak sa pílový list **7** zasekne, prístroj ihneď vypnite.
- ◆ Počas pílenia neatáčajte pílový list **7**.
- ◆ Dbajte na stabilné a bezpečné postavenie prístroja. Prístroj môžete pre bezpečnosť upevniť na vhodnom mieste. Na upevnenie na pevnom a rovnom podklade sú v nohe krytu k dispozícii 4 otvory **25**. Za tým účelom zaveďte vhodný, podkladu zodpovedajúci upevňovací materiál (nie je súčasťou dodávky) cez 4 otvory **25**.

### **VÝSTRAHA!** **NEBEZPEČENSTVO PORANENIA!**

- ▶ Odstráňte obrobok až po úplnom zastavení píly.

## Čistenie a údržba

### **VÝSTRAHA!** **NEBEZPEČENSTVO PORANENIA!**

- ▶ Na začiatku práce na prístroji vždy vytiahnite sieťovú zástrčku zo zásuvky.
- Prístroj a pílové listy uschovávajúte na suchom a bezprašnom mieste.
- Prístroj musí byť vždy čistý a bez oleja alebo mazacích tukov.
- Na čistenie telesa používajte suchú utierku.
- Výmenu uhlíkových kefí smie vykonávať výlučne servis alebo autorizovaná odborná dielňa.

- Vetracie otvory musia byť vždy voľné.
- Zachytený prach po pílení odstráňte štetcom.

### **UPOZORNENIE**

- ▶ Neuvedené náhradné diely (ako napr. uhlíkové kefy, spínače, pílové listy) si môžete objednať prostredníctvom poradenskej linky nášho servisu.

## Likvidácia



Obal sa skladá z ekologických materiálov, ktoré môžete zlikvidovať v miestnych recyklačných strediskách.



### **Elektrické náradie neodhadzujte do komunálneho odpadu!**

V súlade s európskou smernicou č. 2012/19/EU sa opotrebované elektrické náradie musí zberať oddelene a zlikvidovať v rámci ekologickej recyklácie.

Informácie o možnostiach likvidácie prístroja, ktorý doslúžil, dostanete na obecnej alebo mestskej správe.



Obal zlikvidujte ekologicky. Dbajte na označenie na rôznych obalových materiáloch a triedte ich osobitne. Obalové materiály sú označené skratkami (a) a číslicami (b) s nasledujúcim významom: 1–7: plasty, 20–22: papier a lepenka, 80–98: kompozitné materiály.



Informácie o možnostiach likvidácie výrobku, ktorý doslúžil, získate od svojej obecnej alebo mestskej samosprávy.



Produkt je recyklovateľný, podlieha rozšírenej zodpovednosti výrobcu a zbiera sa oddelene.

## Záruka spoločnosti Kompernass Handels GmbH

Vážená zákazníčka, vážený zákazník,  
na tento prístroj máte záruku 3 roky od dátumu zakúpenia. V prípade nedostatkov tohto výrobku máte práva vyplývajúce zo zákona voči predajcovi tohto výrobku. Tieto Vaše práva vyplývajúce zo zákona nie sú obmedzené našou zárukou, uvedenou nižšie.

### Záručné podmienky

Záručná doba začína plynúť dátumom zakúpenia. Prosím, uschovajte si pokladničný blok. Tento bude potrebný ako dôkaz o zakúpení.

Ak v priebehu troch rokov od dátumu zakúpenia tohto výrobku dôjde k chybe materiálu alebo výrobnnej chybe, výrobok vám – podľa nášho uváženia – bezplatne opravíme, vymeníme alebo uhradíme kúpnu cenu. Podmienkou tohto záručného plnenia je, že počas trojročnej lehoty sa poškodený prístroj a doklad o zakúpení (pokladničný blok) predloží so stručným opisom, v čom spočíva nedostatok prístroja a kedy sa vyskytol.

Ak je chyba pokrytá našou zárukou, zašleme Vám späť opravený alebo nový výrobok. Opravou alebo výmenou výrobku nezačína plynúť žiadna nová záručná doba.

### Záručná doba a zákonné nároky na odstránenie chýb

Záručná doba sa záručným plnením nepredlži. To platí aj pre vymenené a opravené diely. Poškodenia a chyby zistené prípadne už pri kúpe, sa musia hlásiť okamžite po vybalení. Po uplynutí záručnej doby podliehajú prípadné opravy poplatku.

### Rozsah záruky

Prístroj bol starostlivo vyrobený v súlade s prísnyimi smernicami kvality a pred dodaním bol svedomito preskúšaný.

Záručné plnenie sa vzťahuje na chyby materiálu alebo výrobné chyby. Táto záruka sa nevzťahuje na časti výrobku, ktoré sú vystavené bežnému opotrebovaniu a preto ich možno pokladať za rýchlo opotrebitelné diely, ani na poškodenia krehkých dielov, ako sú napríklad spínače alebo diely vyrobené zo skla.

Táto záruka zaniká v prípade poškodenia výrobku neodborným používaním alebo neodbornou údržbou. Na správne používanie výrobku sa musia presne dodržiavať všetky pokyny, uvedené v návode na obsluhu. Bezpodmienečne sa musí zabrániť použitiu alebo úkonom, ktoré sa v návode na obsluhu neodporúčajú alebo pred ktorými sa varuje.

Výrobok je určený len na súkromné použitie a nie na priemyselné používanie. Záruka zaniká pri nesprávnom a neodbornom zaobchádzaní, pri použití násilia a pri zásahoch, ktoré neboli vykonané naším autorizovaným servisom.

### Záručná doba neplatí pri

- normálnom opotrebovaní kapacity akumulátora
- komerčnom používaní výrobku
- poškodení alebo zmene výrobku zákazníkom
- nerešpektovaní predpisov týkajúcich sa bezpečnosti a údržby, chybách obsluhy
- škodách v dôsledku elementárnych udalostí



## Vybavenie v prípade záruky

Na zaručenie rýchleho vybavenia Vašej žiadosti postupujte podľa nasledujúcich pokynov:

- Na všetky otázky majte pripravený pokladničný doklad a číslo výrobku (napr. IAN 12345) ako doklad o nákupe.
- Číslo výrobku nájdete na typovom štítku na výrobku, na gravúre na výrobku, na titulnej stránke návodu na obsluhu (dole vľavo) alebo ako nálepku na zadnej alebo spodnej strane výrobku.
- Ak dôjde k funkčným poruchám alebo iným nedostatkom, kontaktujte najprv nižšie uvedené servisné oddelenie **telefonicky** alebo **e-mailom**.
- Výrobok, zaevidovaný ako poruchový, môžete potom spolu s dokladom o nákupe (pokladničný blok) a uvedením popisu chyby a dátumu, kedy k nej došlo, bezplatne odoslať na adresu servisného strediska, ktorá Vám bude oznámená.



Na webovej stránke [www.lidl-service.com](http://www.lidl-service.com) si môžete stiahnuť tieto a mnoho ďalších príručiek, videá o výrobkoch a inštaláčny softvér.

Pomocou tohto QR-kódu sa dostanete priamo na stránku servisu Lidl ([www.lidl-service.com](http://www.lidl-service.com)) a pomocou zadania čísla výrobku (IAN) 364705\_2101 otvoríte váš návod na obsluhu.

### ⚠ VÝSTRAHA!

- ▶ Opravy vašich prístrojov zverte servisnému stredisku alebo odbornému elektrikárovi a pri opravách použite iba originálne náhradné diely. Tým sa zaistí, že sa bezpečnosť prístroja zostane zachovaná.
- ▶ Výmenu zástrčky alebo sieťového kábla nechajte vykonať len výrobcom prístroja alebo jeho zákaznickým servisom. Tým sa zaistí, že sa bezpečnosť prístroja zostane zachovaná.

## Servis

**SK** Servis Slovensko

Tel. 0850 232001

E-Mail: [kompermass@lidl.sk](mailto:kompermass@lidl.sk)

IAN 364705\_2101

## Dovozca

Majte na pamäti, že nižšie uvedená adresa nie je adresou servisného strediska. Najprv kontaktujte uvedené servisné stredisko.

KOMPERNASS HANDELS GMBH

BURGSTRASSE 21

44867 BOCHUM

NEMECKO

[www.kompermass.com](http://www.kompermass.com)

## Preklad originálneho vyhlásenia o zhode

My, spoločnosť KOMPERNASS HANDELS GMBH, osoba zodpovedná za dokumentáciu:  
pán Semi Uguzlu, BURGSTR. 21, 44867 BOCHUM, DEUTSCHLAND/NEMECKO vyhlasujeme,  
že tento výrobok je v súlade s nasledovnými normami, normatívnymi dokumentmi a smernicami ES:

### Smernica o strojových zariadeniach

(2006/42/EC)

### Elektromagnetická znášateľnosť

(2014/30/EU)

### Smernica RoHS

(2011/65/EU)\*

\* Výhradnú zodpovednosť za vydanie tohto vyhlásenia o zhode nesie výrobca. Vyššie opísaný predmet vyhlásenia je v súlade s predpismi smernice č. 2011/65/EU Európskeho parlamentu a Rady z 8. júna 2011 o obmedzení používania určitých nebezpečných látok v elektrických a elektronických zariadeniach.

### Použité harmonizované normy

EN 60745-1:2009/A11:2010

EN 60745-2-20:2009

EN 55014-1:2017

EN 55014-2:2015

EN 61000-3-2:2014

EN 61000-3-3:2013

EN IEC 63000:2018

**Typ/označenie prístroja:** Kovová pásová píla PMB 1100 B2

**Rok výroby:** 04-2021

**Sériové číslo:** IAN 364705\_2101

Bochum, 18.02.2021



Semi Uguzlu  
- Manažér kvality -

Technické zmeny v zmysle ďalšieho vývoja sú vyhradené.

# Índice

<b>Introducción</b> .....	<b>88</b>
Uso previsto .....	.88
Equipamiento .....	.88
Volumen de suministro .....	.88
Características técnicas .....	.88
<b>Indicaciones generales de seguridad para las herramientas eléctricas</b> .....	<b>89</b>
1. Seguridad en el lugar de trabajo .....	.89
2. Seguridad eléctrica .....	.90
3. Seguridad personal .....	.90
4. Uso y manejo de la herramienta eléctrica .....	.91
5. Asistencia técnica .....	.91
Indicaciones de seguridad adicionales para las sierras de cinta .....	.91
Accesorios/equipos adicionales originales .....	.92
<b>Antes de la puesta en funcionamiento</b> .....	<b>92</b>
Montaje .....	.92
Realización de ajustes .....	.93
Cambio de la hoja de sierra .....	.94
<b>Puesta en funcionamiento</b> .....	<b>94</b>
Encendido y apagado del aparato .....	.94
Encendido y apagado de la luz de trabajo .....	.94
Ajuste de la velocidad .....	.94
Indicaciones de trabajo .....	.95
<b>Limpieza y mantenimiento</b> .....	<b>95</b>
<b>Desecho</b> .....	<b>95</b>
<b>Garantía de Kompnass Handels GmbH</b> .....	<b>96</b>
<b>Asistencia técnica</b> .....	<b>97</b>
<b>Importador</b> .....	<b>97</b>
<b>Traducción de la Declaración de conformidad original</b> .....	<b>98</b>

## SIERRA DE CINTA PARA METAL PMB 1100 B2

### Introducción

Felicidades por la compra de su aparato nuevo. Ha adquirido un producto de alta calidad. Las instrucciones de uso forman parte de este producto y contienen indicaciones importantes acerca de la seguridad, del uso y del desecho de este aparato. Antes de usar el producto, familiarícese con todas las indicaciones de manejo y de seguridad. Utilice el producto únicamente como se describe y para los ámbitos de aplicación indicados. Entregue todos los documentos cuando transfiera el producto a terceros.

### Uso previsto

Este aparato está previsto particularmente para el serrado de tubos metálicos o perfiles.

La utilización del aparato para otros fines o su modificación se consideran contrarias al uso previsto y aumentan considerablemente el riesgo de accidentes.

No utilice el aparato con fines comerciales o industriales.

### Equipamiento

- 1 Interruptor de la luz
- 2 Rueda de ajuste de la velocidad
- 3 Interruptor de encendido/apagado
- 4 Tope para la pieza de trabajo
- 5 Tornillo del tope para la pieza de trabajo
- 6 Llave Allen pequeña
- 7 Hoja de sierra
- 8 Palanca tensora de la hoja de sierra

#### Figura A

- 9 Mango
- 10 Tornillo de mariposa del mango
- 11 Cubiertas de protección
- 12 Tornillos de fijación

#### Figura B

- 13 Ruedas de goma
- 14 Rodillos guía

#### Figura C

- 15 Mango del tornillo de banco
- 15a Ajuste rápido
- 16 Tornillo de banco
- 17 Tornillos de cabeza cilíndrica con hexágono interior

#### Figura D

- 18 Ajuste del ángulo de corte
- 19 Tornillo largo de mariposa
- 20 Tornillo del ajuste del ángulo de corte
- 21 Pasador de fijación
- 21a Tuerca
- 22 Brazo giratorio

#### Figura E

- 23 Luz de trabajo
- 24 Mesa
- 25 Orificios

### Volumen de suministro

- 1 sierra de cinta para metal
- 1 mesa (premontada)
- 4 tornillos de mariposa largos (premontadas)
- 4 tornillos de cabeza cilíndrica con hexágono interior (premontadas)
- 1 llave Allen pequeña (4 mm)
- 1 llave Allen grande (6 mm)
- 1 manual de instrucciones de uso

### Características técnicas

Tensión asignada	230 V ~, 50 Hz (corriente alterna)
Consumo de potencia asignado	1100 W
Anchura del corte a 90°	127 mm x 127 mm (sin la mesa)
Anchura del corte a 45°	127 mm x 40 mm (sin la mesa)

Velocidad de ralentí asignada	$n_0$ 0-290 r. p. m.
Velocidad de la cinta de la sierra	0-2,4 m/s
Cortes biselados	0° -45°
Clase de aislamiento	II/□ (aislamiento doble)

**Valor de emisión sonora**

Medición de ruidos según la norma EN 60745.  
Valores típicos del nivel sonoro con ponderación A de la herramienta eléctrica:

Nivel de presión sonora	$L_{PA} = 90,7$ dB (A)
Incertidumbre K	$K_{PA} = 3$ dB
Nivel de potencia acústica	$L_{WA} = 101,7$ dB (A)
Incertidumbre K	$K_{WA} = 3$ dB



**¡Utilice protecciones auditivas!**



**Lea las instrucciones de uso antes de poner en funcionamiento el aparato.**

**Valores totales de vibraciones**

(Suma vectorial de tres líneas) calculada según la norma EN 60745:

Serrado de metales	$a_{h,CM} = 6,94$ m/s <sup>2</sup>
Incertidumbre	$K = 1,5$ m/s <sup>2</sup>
Serrado de madera	$a_{h,CW} = 6,25$ m/s <sup>2</sup>
Incertidumbre	$K = 1,5$ m/s <sup>2</sup>

**INDICACIÓN**

- ▶ Los valores totales de emisión de vibraciones y de ruidos especificados en estas instrucciones de uso se han calculado según un procedimiento de prueba estandarizado y pueden utilizarse para comparar varias herramientas eléctricas.
- ▶ Los valores totales de emisión de vibraciones y de ruidos especificados también pueden utilizarse para realizar una valoración preliminar de la carga.

**⚠ ¡ADVERTENCIA!**

- ▶ La emisión de vibraciones y de ruidos puede diferir de los valores especificados durante el propio uso de la herramienta eléctrica según cómo se esté utilizando y, especialmente, según cómo sea la pieza de trabajo que se esté procesando.
- ▶ Intente que la carga sea lo más reducida posible. Algunas medidas para reducir la carga de las vibraciones son el uso de guantes al manejar la herramienta y la limitación del tiempo de trabajo. Para ello, deben tenerse en cuenta todas las partes del ciclo de funcionamiento (por ejemplo, los momentos en los que la herramienta eléctrica está desconectada y los momentos en los que está conectada, pero funciona sin carga).



**Indicaciones generales de seguridad para las herramientas eléctricas**

**⚠ ¡ADVERTENCIA!**

- ▶ Lea todas las indicaciones de seguridad y las instrucciones. El incumplimiento de las indicaciones de seguridad y de las instrucciones especificadas puede provocar descargas eléctricas, incendios o lesiones graves.

**Conserve todas las indicaciones de seguridad y las instrucciones para el futuro.**

El término "herramienta eléctrica" utilizado en las indicaciones de seguridad se refiere a las herramientas eléctricas de accionamiento eléctrico (con cable de red) y a las de accionamiento por batería (sin cable de red).

**1. Seguridad en el lugar de trabajo**

- Mantenga limpia y bien iluminada la zona de trabajo.** El desorden y la falta de iluminación en el lugar de trabajo pueden provocar accidentes.

- b) No trabaje con la herramienta eléctrica en un entorno potencialmente explosivo en el que haya líquidos, gases o polvos inflamables. Las herramientas eléctricas generan chispas que pueden incendiar el polvo o los vapores.
- c) Mantenga a los niños y a otras personas alejados durante el manejo de la herramienta eléctrica. Si se distrae, podría perder el control del aparato.

## 2. Seguridad eléctrica

- a) El enchufe de la herramienta eléctrica debe encajar correctamente en la toma eléctrica. No debe modificarse el enchufe de ninguna forma. No utilice ningún enchufe adaptador junto con herramientas eléctricas con conexión a tierra. El uso de enchufes sin manipular conectados a una toma eléctrica adecuada reduce el riesgo de descarga eléctrica.
- b) Evite el contacto físico con cualquier superficie que esté conectada a tierra, como tuberías, sistemas de calefacción, cocinas y neveras. Si su cuerpo hace contacto con la toma de tierra, existe mayor riesgo de descarga eléctrica.
- c) Mantenga las herramientas eléctricas alejadas de la lluvia o de humedades. La penetración de agua en un aparato eléctrico aumenta el riesgo de descarga eléctrica.
- d) No utilice el cable para otros usos, p. ej., para transportar y colgar la herramienta eléctrica o para desconectar el enchufe de la toma eléctrica. Mantenga el cable apartado del calor, del aceite, de los bordes cortantes o de las piezas móviles del aparato. Un cable dañado o enredado aumenta el riesgo de descarga eléctrica.
- e) Si desea utilizar la herramienta eléctrica al aire libre, utilice exclusivamente los alargadores homologados para su uso en exteriores. El uso de un alargador adecuado para exteriores reduce el riesgo de descarga eléctrica.
- f) Si no puede evitarse el uso de la herramienta eléctrica en un entorno húmedo, utilice un interruptor diferencial residual. Su uso reduce el riesgo de descarga eléctrica.

## 3. Seguridad personal

- a) Esté siempre alerta, preste atención a lo que hace y proceda con sensatez a la hora de trabajar con una herramienta eléctrica. No utilice ninguna herramienta eléctrica si se siente cansado o se encuentra bajo la influencia de drogas, alcohol o medicamentos. Un solo momento de distracción mientras utiliza la herramienta eléctrica puede causar lesiones graves.
- b) Utilice siempre un equipo de protección individual y gafas de protección. El uso de un equipo de protección individual, como mascarilla antipolvo, calzado de seguridad antideslizante, casco o protecciones auditivas según el tipo de herramienta eléctrica en cuestión, reduce el riesgo de lesiones.
- c) Evite que el aparato pueda ponerse en marcha accidentalmente. Asegúrese de que la herramienta eléctrica esté apagada antes de conectarla a la red eléctrica o a la batería, así como transportarla. Si transporta la herramienta eléctrica con los dedos en el interruptor o conecta el aparato ya encendido a la red eléctrica, puede provocar accidentes.
- d) Antes de encender la herramienta eléctrica, retire las herramientas de ajuste o las llaves. Las herramientas o llaves que se encuentren dentro del alcance de la pieza giratoria del aparato pueden producir lesiones.
- e) Evite mantener una postura corporal forzada. Busque una postura segura y mantenga el equilibrio en todo momento. Así podrá controlar mejor la herramienta eléctrica, especialmente en situaciones inesperadas.
- f) Utilice ropa adecuada. No lleve ropa ancha ni joyas. Mantenga el pelo, la ropa y los guantes lejos de las piezas móviles. La ropa holgada, las joyas o el pelo largo pueden quedar atrapados en las piezas móviles.
- g) Si se admite el montaje de dispositivos de aspiración y de acumulación de polvo, asegúrese de que estén conectados y cerciórese de que se utilicen correctamente. El uso de un dispositivo de aspiración de polvo puede reducir los riesgos causados por el polvo.

#### 4. Uso y manejo de la herramienta eléctrica

- a) No sobrecargue el aparato. Utilice la herramienta eléctrica adecuada para el trabajo en cuestión. De esta manera, trabajará mejor y de forma más segura dentro del rango de potencia indicado.
- b) No utilice ninguna herramienta eléctrica con el interruptor defectuoso. Una herramienta que no pueda encenderse o apagarse es peligrosa y debe repararse.
- c) Desconecte el enchufe de la red eléctrica o retire la batería antes de realizar cualquier ajuste en el aparato, cambiar los accesorios o abandonar el aparato. Estas medidas de seguridad evitan que la herramienta eléctrica se encienda de forma accidental.
- d) Guarde las herramientas eléctricas que no vaya a utilizar fuera del alcance de los niños. No permita el uso del aparato a personas que no estén familiarizadas con su manejo o que no hayan leído estas indicaciones. Las herramientas eléctricas son peligrosas cuando están en manos de personas inexpertas.
- e) Mantenga las herramientas eléctricas en perfecto estado. Compruebe que las piezas móviles funcionen correctamente y no se atasquen, y asegúrese de que ninguna pieza se haya roto ni esté dañada de forma que el funcionamiento del aparato pueda verse afectado. Encargue la reparación de las piezas dañadas antes de utilizar el aparato. Muchos accidentes se deben al mal estado de las herramientas.
- f) Mantenga las herramientas de corte limpias y afiladas, ya que así se atascan menos y son más fáciles de guiar.
- g) Utilice la herramienta eléctrica, los accesorios, las herramientas intercambiables, etc. según lo dispuesto en estas instrucciones. Tenga en cuenta las condiciones de trabajo y los procedimientos que deban seguirse. El uso de herramientas eléctricas para aplicaciones distintas a las previstas puede provocar situaciones peligrosas.

#### 5. Asistencia técnica

- a) Encargue la reparación de su herramienta eléctrica exclusivamente al personal cualificado especializado y solo con recambios originales. De esta forma, se garantiza que la seguridad del aparato no se vea afectada.

#### Indicaciones de seguridad adicionales para las sierras de cinta

- Sujete el aparato por los mangos aislados si pretende utilizarlo para trabajos en los que la herramienta de corte pueda entrar en contacto con conexiones eléctricas ocultas o con su propio cable de conexión. El contacto de las herramientas de corte con cables conductores de electricidad también puede someter las piezas metálicas del aparato a la tensión eléctrica y provocar una descarga eléctrica.
- Mantenga las manos alejadas de la zona de serrado y de la hoja de sierra.
- Antes de utilizarla, asegúrese siempre de que la sierra de cinta portátil esté siempre limpia.
- Detenga siempre inmediatamente el funcionamiento si nota algo inusual.
- Antes de utilizar la herramienta, asegúrese siempre de que todos los componentes estén en perfecto estado y montados de forma segura.
- Proceda siempre con cuidado al montar o desmontar la hoja de sierra.
- Mantenga las manos siempre alejadas del recorrido de corte de la hoja de la sierra de cinta.
- Antes de serrar, espere siempre a que el motor alcance la máxima velocidad.
- Mantenga los mangos siempre secos, limpios y sin aceite o grasa. Durante el procesamiento, sujete firmemente la herramienta.
- Esté siempre atento, sobre todo, durante las tareas repetitivas y monótonas. Asegúrese siempre de que las manos estén en la posición correcta en relación con la hoja de sierra.

- No retire nunca el tope para la pieza de trabajo.
- Manténgase alejado de los extremos de la pieza de trabajo que vayan a caer tras el serrado. Es posible que estén calientes o afilados y que sean pesados, lo que podría causar lesiones graves.
- Las ranuras de aire suelen cubrir las piezas móviles, por lo que deben mantenerse libres. La ropa holgada, las joyas o el pelo largo pueden quedar atrapados en las piezas móviles.

**⚠ ¡ADVERTENCIA!**

- ▶ Esta herramienta eléctrica genera un campo electromagnético durante el funcionamiento. En determinadas situaciones, este campo puede afectar a los implantes médicos activos o pasivos. Para minimizar el riesgo de lesiones graves o mortales, recomendamos a las personas con implantes médicos que consulten a su médico y al fabricante del implante antes de manejar la herramienta eléctrica.

**Accesorios/equipos adicionales originales**

Utilice exclusivamente los accesorios y equipos adicionales especificados en las instrucciones de uso y compatibles con el aparato.

**Antes de la puesta en funcionamiento**

**⚠ ¡ADVERTENCIA!  
¡PELIGRO DE LESIONES!**



Desconecte siempre el enchufe de la red eléctrica antes de realizar cualquier tarea en el aparato.

**Montaje**

Tenga en cuenta que todas las piezas están premontadas. Las instrucciones solo sirven para las posibles tareas de mantenimiento.

**Montaje del mango (premontadas)**

- ◆ Mantenga el mango **9** en posición en la ubicación deseada (consulte las ilustraciones de la página desplegable)
- ◆ Introduzca el tornillo de mariposa **10** a través del mango **9** y de la carcasa y apriételo bien.

**Montaje del tornillo de banco (premontadas)**

- ◆ Fije el tornillo de banco **16** mediante la inserción de los 4 tornillos cilíndricos con hexágono interior **17** suministrados en los orificios correspondientes de la parte trasera de la mesa (consulte la fig. C de la página desplegable). Para ello, utilice una llave Allen (no suministrada) de 5 mm.

**Montaje del ajuste del ángulo de corte en la mesa (premontadas)**

- ◆ Afloje completamente el tornillo **20** del ajuste del ángulo de corte **18**. Inserte el tornillo **20** desde abajo a través del alojamiento para el

ángulo de la mesa **24** y vuelva a apretarlo por medio del ajuste del ángulo de corte **18** (consulte la fig. D de la página desplegable).

- ◆ Utilice un tornillo largo de mariposa **19** para fijar el brazo giratorio **22** a través del otro orificio de la mesa **24** (consulte la fig. D de la página desplegable).



## Montaje de la sierra de cinta en el brazo giratorio

Si desea utilizar el aparato con la mesa **24** montada, proceda de la siguiente manera:

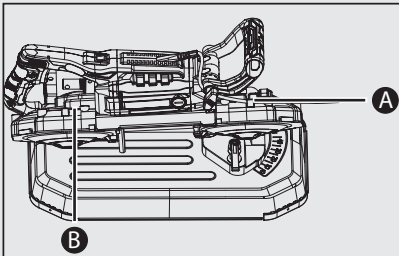
- ◆ Fije el brazo giratorio **22** mediante la inserción de los 3 tornillos largos de mariposa **19** suministrados en los orificios correspondientes de la carcasa del aparato (consulte la fig. E de la página desplegable).

### INDICACIÓN

- ▶ En el estado de suministro, la tuerca **21a** puede estar demasiado apretada. Afloje un poco la tuerca **21a** con un destornillador del 19.
- ▶ Apriete de vez en cuando la tuerca **21a** con una llave del 19 si el brazo giratorio **22** está demasiado suelto.

### ⚠ ¡ADVERTENCIA!

- ▶ La sierra de cinta solo puede utilizarse sin la mesa **24** si el usuario adopta una postura segura y estable. Además, se debe fijar la pieza de trabajo en un banco de trabajo para evitar que se deslice.
- ▶ Asegúrese en todo momento de que el cable de alimentación no pueda acercarse a la hoja de sierra.
- ▶ Si desea utilizar el aparato con la mesa, fije el cable de red con el soporte para el cable **A** como se muestra en la siguiente imagen:



- ▶ Para cualquier otro uso, debe tenderse el cable con el soporte para el cable **A** **B** de forma que nunca pueda acabar en la zona de serrado/trabajo o en ninguna otra zona peligrosa.

## Realización de ajustes

### Ajuste del mango

- ◆ Para ajustar el mango **9**, afloje el tornillo de mariposa **10** del mango.
- ◆ Gire el mango **9** hasta alcanzar la posición deseada.
- ◆ Vuelva a apretar firmemente el tornillo de mariposa **10**.

### Utilización del tornillo de banco

- ◆ Gire el mango del tornillo de banco **15** en sentido horario para fijar la pieza de trabajo.
- ◆ Gire el mango del tornillo de banco **15** en sentido antihorario para soltar la pieza de trabajo.

### INDICACIÓN

- ▶ También puede desplazar hacia arriba el ajuste rápido **15a** para ajustar el tornillo de banco **15** con mayor rapidez. Vuelva a desplazar hacia abajo el ajuste rápido **15a** para fijar el tornillo de banco **15**. A continuación, realice el ajuste con mayor precisión por medio del mango del tornillo de banco **15**.

### Seguro de transporte

- ◆ Tire del pasador de fijación **21** hacia fuera para poder subir la sierra de cinta.
- ◆ Baje la sierra de cinta y presione el pasador de fijación **21** para volver a introducirlo. Tras esto, podrá transportar la sierra de cinta con la mesa con mayor facilidad.

### Ajuste del ángulo de corte (inglete)

- ◆ Gire el ajuste del ángulo de corte **13** en sentido antihorario para aflojarlo.
- ◆ Ajuste el ángulo de corte deseado mediante las cifras indicadas.
- ◆ Gire el ajuste del ángulo de corte **13** en sentido horario para apretarlo.

### Ajuste del tope para la pieza de trabajo

- En el funcionamiento normal, el tope para la pieza de trabajo **4** debe estar fijado en la posición inferior.
- ◆ Si el tope para la pieza de trabajo **4** obstaculiza durante el serrado, puede aflojar el tornillo del tope para la pieza de trabajo **5**. Para ello, utilice la llave Allen pequeña **6** suministrada. Así puede desplazar el tope para la pieza de trabajo **4** hacia arriba. A continuación, vuelva a fijar el tope para la pieza de trabajo **4** con el tornillo del tope para la pieza de trabajo **5**.

### Cambio de la hoja de sierra

#### **⚠ ¡ADVERTENCIA! ¡PELIGRO DE LESIONES!**

- ▶ Utilice guantes protectores para evitar lesiones.

#### **INDICACIÓN**

- ▶ Las hojas de sierra pueden volver a pedirse a través de de nuestro servicio de asistencia técnica.
- ◆ Afloje la palanca tensora de la hoja de sierra **8** girándola en sentido antihorario.
- ◆ Retire ambos tornillos de fijación **12** con la llave Allen pequeña **6**. Retire las dos cubiertas de protección **11**.
- ◆ Desmonte cuidadosamente la hoja de sierra **7**. Comience con los rodillos guía **14** (consulte la fig. B de la página desplegable).
- ◆ Elimine cualquier posible viruta con un pincel o con aire comprimido.
- ◆ Coloque la hoja de sierra **7** con los dientes orientados hacia arriba en los rodillos guía **14**. Asegúrese de que los rodillos guía **14** agarren completamente la hoja de sierra **7**.

#### **INDICACIÓN**

- ▶ Asegúrese de que la flecha que marca la dirección de la hoja de sierra **7** (si se dispone de ella) coincida con la de las ruedas de goma **13**.

- ◆ Coloque la hoja de sierra **7** alrededor de las dos ruedas de goma.
- ◆ Vuelva a apretar la palanca tensora de la hoja de sierra **8** en sentido horario.
- ◆ Vuelva a montar las dos cubiertas de protección **11**.

#### **⚠ ¡ADVERTENCIA! ¡PELIGRO DE LESIONES!**

- ▶ Utilice el aparato exclusivamente con las cubiertas de protección **11** montadas.

- ◆ Realice una prueba de funcionamiento; para ello, encienda y apague brevemente el aparato un par de veces para asegurarse de que la hoja de sierra esté correctamente montada.

#### **⚠ ¡ADVERTENCIA! ¡PELIGRO DE LESIONES!**

- ▶ ¡Mantenga el cuerpo alejado de la zona de serrado durante la prueba de funcionamiento!

## Puesta en funcionamiento

### Encendido y apagado del aparato

#### Encendido

- ◆ Mantenga pulsado el interruptor de encendido/apagado **3**.

#### Apagado

- ◆ Suelte el interruptor de encendido/apagado **3**.

### Encendido y apagado de la luz de trabajo

#### Encendido

- ◆ Ajuste la luz de trabajo **1** en la posición I. Tras esto, la luz de trabajo **23** se ilumina.

#### Apagado

- ◆ Ajuste la luz de trabajo **1** en la posición 0. Tras esto, la luz de trabajo **23** se apaga.

### Ajuste de la velocidad

- ◆ Ajuste la rueda de ajuste de la velocidad **2** en una posición entre 1 y 6.

## Indicaciones de trabajo

- ◆ Fije la pieza de trabajo para que no pueda resbalar; p. ej., con el tornillo de banco 16 de la mesa.
- ◆ Utilice el propio peso de la sierra durante el serrado. No ejerza ninguna presión adicional.
- ◆ Espere a que la sierra alcance la máxima velocidad antes de ponerla cuidadosamente en contacto con la pieza de trabajo.
- ◆ Apague el aparato inmediatamente si la hoja de sierra 7 se atasca.
- ◆ No ladee la hoja de sierra 7 durante el corte.
- ◆ Procure un asiento seguro y estable del aparato. Por seguridad, puede fijarse el aparato en un lugar adecuado para ello. En la zona de las patas de la carcasa, se dispone de 4 orificios 23 para la fijación del aparato a una superficie de base firme y nivelada. Para ello, introduzca un material de fijación adecuado y apto para la superficie de base (no se incluye en el volumen de suministro) a través de los 4 orificios 23. Fije el aparato a la superficie de base con el material de fijación.

### ⚠ ¡ADVERTENCIA! ¡PELIGRO DE LESIONES!

- ▶ Retire exclusivamente la pieza de trabajo cuando la sierra se haya detenido completamente.

## Limpieza y mantenimiento

### ⚠ ¡ADVERTENCIA! ¡PELIGRO DE LESIONES!

- ▶ Desconecte siempre el enchufe de la red eléctrica antes de realizar cualquier tarea en el aparato.
- Guarde el aparato y las hojas de sierra en un lugar seco y protegido contra el polvo.
- El aparato debe estar siempre limpio y sin restos de aceite ni grasas lubricantes.
- Utilice un paño seco para la limpieza de la carcasa.

- Encomiende exclusivamente la sustitución de las escobillas de carbón al servicio de asistencia técnica o a un taller especializado reconocido.
- Las ranuras de ventilación deben mantenerse siempre libres.
- Retire los restos que queden adheridos con un pincel.

### INDICACIÓN

- ▶ Los recambios no especificados (p. ej., escobillas de carbón, interruptores u hojas de sierra) pueden solicitarse a través de nuestro servicio de asistencia técnica.

## Desecho



El embalaje consta de materiales ecológicos que pueden desecharse a través de los centros de reciclaje locales.



### No deseche las herramientas eléctricas con la basura doméstica.

Según la Directiva europea 2012/19/EU, las herramientas eléctricas usadas deben recogerse por separado para someterse a un reciclaje ecológico.

Puede informarse acerca de las posibilidades de desecho de los aparatos usados en su administración municipal o ayuntamiento.



Deseche el embalaje de forma respetuosa con el medio ambiente.

Observe las indicaciones de los distintos materiales de embalaje y, si procede, reciclelos de la manera correspondiente. Los materiales de embalaje cuentan con abreviaciones (a) y cifras (b) que significan lo siguiente: 1-7: plásticos; 20-22: papel y cartón; 80-98: materiales compuestos.



Puede informarse acerca de las posibilidades de desecho de los aparatos usados en su administración municipal o ayuntamiento.



Este producto es reciclable, está sujeto a una responsabilidad ampliada del fabricante y se recoge por separado.

## **Garantía de Kompernass Handels GmbH**

Estimado cliente:

Este aparato cuenta con una garantía de 3 años a partir de la fecha de compra. Si se detectan defectos en el producto, puede ejercer sus derechos legales frente al vendedor. Estos derechos legales no se ven limitados por la garantía descrita a continuación.

### **Condiciones de la garantía**

El plazo de la garantía comienza con la fecha de compra. Guarde bien el comprobante de caja, ya que lo necesitará como justificante de compra.

Si dentro de un periodo de tres años a partir de la fecha de compra de este producto se detecta un defecto en su material o un error de fabricación, asumiremos la reparación o sustitución gratuita del producto o restituiremos el precio de compra a nuestra elección. La prestación de la garantía requiere la presentación del aparato defectuoso y del justificante de compra (comprobante de caja), así como una breve descripción por escrito del defecto detectado y de las circunstancias en las que se haya producido dicho defecto, dentro del plazo de tres años.

Si el defecto está cubierto por nuestra garantía, le devolveremos el producto reparado o le suministraremos uno nuevo. La reparación o sustitución del producto no supone el inicio de un nuevo periodo de garantía.

### **Duración de la garantía y reclamaciones legales por vicios**

La duración de la garantía no se prolonga por hacer uso de ella. Este principio también se aplica a las piezas sustituidas y reparadas. Si después de la compra del aparato, se detecta la existencia de daños o de defectos al desembalarlo, deben notificarse de inmediato. Cualquier reparación que se realice una vez finalizado el plazo de garantía estará sujeta a costes.

### **Alcance de la garantía**

El aparato se ha fabricado cuidadosamente según estándares elevados de calidad y se ha examinado en profundidad antes de su entrega.

La prestación de la garantía se aplica a defectos en los materiales o errores de fabricación. Esta garantía no cubre las piezas del producto normalmente sometidas al desgaste y que, en consecuencia, puedan considerarse piezas de desgaste ni los daños producidos en los componentes frágiles, p. ej., interruptores o piezas de vidrio.

Se anulará la garantía si el producto se daña o no se utiliza o mantiene correctamente. Para utilizar correctamente el producto, deben observarse todas las indicaciones especificadas en las instrucciones de uso. Debe evitarse cualquier uso y manejo que esté desaconsejado o frente al que se advierte en las instrucciones de uso.

El producto está previsto exclusivamente para su uso privado y no para su uso comercial. En caso de manipulación indebida e incorrecta, uso de la fuerza y apertura del aparato por personas ajenas a nuestros centros de asistencia técnica autorizados, la garantía perderá su validez.

### **La garantía no cubre los siguientes casos**

- Desgaste normal de la capacidad de la batería.
- Uso comercial o industrial del producto.
- Daño o alteración del producto por parte del cliente.
- Incumplimiento de las instrucciones de seguridad y mantenimiento y errores en el manejo.
- Daños provocados por fuerza mayor.

## Proceso de reclamación conforme a la garantía

Para garantizar una tramitación rápida de su reclamación, le rogamos que observe las siguientes indicaciones:

- Mantenga siempre a mano el comprobante de caja y el número de artículo (p. ej., IAN 12345) como justificante de compra.
- Podrá ver el número de artículo en la placa de características del producto, grabado en el producto, en la portada de las instrucciones de uso (parte inferior izquierda) o en el adhesivo de la parte trasera o inferior del producto.
- Si se producen errores de funcionamiento u otros defectos, póngase primero en contacto con el departamento de asistencia técnica especificado a continuación **por teléfono o por correo electrónico**.
- Podrá enviar el producto calificado como defectuoso junto con el justificante de compra (comprobante de caja) y la descripción del defecto y de las circunstancias en las que se haya producido de forma gratuita a la dirección de correo proporcionada.



En [www.lidl-service.com](http://www.lidl-service.com), podrá descargar este manual de usuario y muchos otros más, así como vídeos sobre los productos y software de instalación.

Con este código QR, accederá directamente a la página del Servicio Lidl ([www.lidl-service.com](http://www.lidl-service.com)) y podrá abrir las instrucciones de uso mediante la introducción del número de artículo (IAN) 364705\_2101.

## ⚠ ¡ADVERTENCIA!

- ▶ Encomiende exclusivamente la reparación del aparato al servicio de asistencia técnica o a un electricista especializado y solo con los recambios originales. De esta forma, se garantizará que la seguridad del aparato no se vea afectada.
- ▶ Encomiende siempre la sustitución del enchufe o del cable de red al fabricante del aparato o a su servicio de asistencia técnica. De esta forma, se garantizará que la seguridad del aparato no se vea afectada.

## Asistencia técnica

### ES Servicio España

Tel.: 902 59 99 22

(0,08 EUR/Min. + 0,11 EUR/llamada (tarifa normal))

(0,05 EUR/Min. + 0,11 EUR/llamada (tarifa reducida))

E-Mail: [kompernass@lidl.es](mailto:kompernass@lidl.es)

IAN 364705\_2101

## Importador

Tenga en cuenta que la dirección siguiente no es una dirección de asistencia técnica. Póngase primero en contacto con el centro de asistencia técnica especificado.

KOMPERNASS HANDELS GMBH

BURGSTRASSE 21

44867 BOCHUM

ALEMANIA

[www.kompernass.com](http://www.kompernass.com)

## Traducción de la Declaración de conformidad original

En virtud del presente documento, nosotros, KOMPENASS HANDELS GMBH, responsable de los documentos: Semi Uguzlu, BURGSTR. 21, 44867 BOCHUM (ALEMANIA), declaramos que este producto cumple con lo dispuesto por las siguientes normas, documentos normativos y directivas CE:

**Directiva relativa a las máquinas**  
(2006/42/EC)

**Compatibilidad electromagnética**  
(2014/30/EU)

**Directiva sobre las restricciones a la utilización de determinadas sustancias peligrosas en aparatos eléctricos y electrónicos**  
(2011/65/EU)\*

\* La responsabilidad exclusiva de la expedición de esta declaración de conformidad recaerá sobre el fabricante. El objeto descrito en la declaración cumple con las disposiciones de la Directiva 2011/65/EU del Parlamento Europeo y del Consejo del 8 de junio de 2011 sobre las restricciones a la utilización de determinadas sustancias peligrosas en aparatos eléctricos y electrónicos.

### Normas armonizadas aplicadas

EN 60745-1:2009/A11:2010

EN 60745-2-20:2009

EN 55014-1:2017

EN 55014-2:2015

EN 61000-3-2:2014

EN 61000-3-3:2013

EN IEC 63000:2018

**Tipo/denominación del aparato:** Sierra de cinta para metal PMB 1100 B2

**Año de fabricación:** 04-2021

**Número de serie:** IAN 364705\_2101

Bochum, 18/02/2021



Semi Uguzlu  
- Responsable de calidad -

Reservado el derecho de realizar modificaciones técnicas en relación con el desarrollo tecnológico.

# Indholdsfortegnelse

<b>Indledning</b> .....	<b>100</b>
Forskriftsmæssig anvendelse .....	100
Udstyr .....	100
Pakkens indhold .....	100
Tekniske data .....	100
<b>Generelle sikkerhedsanvisninger for elværktøjer</b> .....	<b>101</b>
1. Sikkerhed på arbejdspladsen .....	101
2. Elektrisk sikkerhed .....	102
3. Personsikkerhed .....	102
4. Anvendelse og håndtering af elværktøjet .....	103
5. Service .....	103
Specielle sikkerhedsanvisninger for båndsave .....	103
Originalt tilbehør/ekstraudstyr .....	104
<b>Før ibrugtagning</b> .....	<b>104</b>
Montering .....	104
Indstillinger .....	105
Udskiftning af savklinge .....	106
<b>Ibrugtagning</b> .....	<b>106</b>
Tænd og sluk for produktet .....	106
Tænd/sluk for arbejdslampen .....	106
Indstilling af hastighed .....	106
Arbejdsanvisninger .....	107
<b>Rengøring og vedligeholdelse</b> .....	<b>107</b>
<b>Bortskaffelse</b> .....	<b>107</b>
<b>Garanti for Kompernass Handels GmbH</b> .....	<b>108</b>
<b>Service</b> .....	<b>109</b>
<b>Importør</b> .....	<b>109</b>
<b>Original overensstemmelseserklæring</b> .....	<b>110</b>

## METALBÅNDSAV PMB 1100 B2

### Indledning

Tillykke med købet af dit nye produkt. Du har valgt et produkt af høj kvalitet. Betjeningsvejledningen er en del af dette produkt. Den indeholder vigtige informationer om sikkerhed, anvendelse og bortskaffelse. Du bør sætte dig ind i alle produktets betjenings- og sikkerhedsanvisninger før brug. Brug kun produktet som beskrevet og kun til de oplyste anvendelsesområder. Hvis du giver produktet videre til andre, skal alle tilhørende dokumenter følges med.

### Forskriftsmæssig anvendelse

Produktet er beregnet til savning af metalrør eller profiler.

Enhver anden anvendelse eller ændring af produktet anses for at være ikke-forskriftsmæssig og indebærer betydelige farer for uheld.

Produktet må ikke anvendes til erhvervmæssige formål.

### Udstyr

- 1 Lyskontakt
- 2 Hastighedsregulator
- 3 Tænd-/sluk-knap
- 4 Emneanslag
- 5 Emneanslagsskruer
- 6 Unbrakonøgle (lille)
- 7 Savklinge
- 8 Spændearm til savklinge

### Figur A

- 9 Håndtag
- 10 Vingeskrue på håndtaget
- 11 Beskyttelsesafdækninger
- 12 Sikringskruer

### Figur B

- 13 Gummihjul
- 14 Føringsruller

### Figur C

- 15 Håndtag på skruestik
- 15a Lynindstilling
- 16 Skruestik
- 17 Cylinderskruer med unbrako

### Figur D

- 18 Skærevinkelindstilling
- 19 Lang vingeskrue
- 20 Skrue til skærevinkelindstilling
- 21 Sikringsstift
- 21a Møtrik
- 22 Svingarm

### Figur E

- 23 Arbejdslampe
- 24 Savbord
- 25 Huller

### Pakkens indhold

- 1 metalbåndsav
- 1 savbord (formonteret)
- 4 vingeskruer lange (formonteret)
- 4 cylinderskruer med unbrako (formonteret)
- 1 unbrakonøgle lille (4 mm)
- 1 unbrakonøgle stor (6 mm)
- 1 betjeningsvejledning

### Tekniske data

Mærkespænding	230 V ~, 50 Hz (vekselstrøm)
Nominelt effektforbrug	1100 W
Skærebredde ved 90°	127 mm x 127 mm (uden savbord)
Skærebredde ved 45°	127 mm x 40 mm (uden savbord)
Mærkeomdrejningstal i tomgang	$n_0$ 0-290 min <sup>-1</sup>
Savbåndshastighed	0-2,4 m/s
Hældningsnit	0°-45°
Beskyttelsesklasse	II/□ (dobbeltisolering)



### Støjemissionsværdi

Måleværdi for støj beregnet iht. EN 60745.  
Det A-vægtede støjniveau for elværktøjet udgør normalt:

Lydtryksniveau	$L_{PA} = 90,7 \text{ dB (A)}$
Usikkerhed K	$K_{PA} = 3 \text{ dB}$
Lydeffektniveau	$L_{WA} = 101,7 \text{ dB (A)}$
Usikkerhed K	$K_{WA} = 3 \text{ dB}$



**Bær høreværn!**



**Før første brug skal betjeningsvejledningen læses!**

### Samlede vibrationsværdier

(vektorsum i tre retninger) beregnet iht. EN 60745:

Savning af metal	$a_{h,CM} = 6,94 \text{ m/s}^2$
Usikkerhed	$K = 1,5 \text{ m/s}^2$
Savning af træ	$a_{h,CW} = 6,25 \text{ m/s}^2$
Usikkerhed	$K = 1,5 \text{ m/s}^2$

### BEMÆRK

- ▶ De angivne samlede vibrationsværdier og de angivne støjemissionsværdier er målt iht. standardiserede testmetoder og kan anvendes til sammenligning af forskellige elværktøjer.
- ▶ De angivne samlede vibrationsværdier og de angivne støjemissionsværdier kan også anvendes til en indledende vurdering af faren ved belastningen.

### ⚠ ADVARSEL!

- ▶ Vibrations- og støjemissionen kan afvige fra de angivne værdier under den faktiske anvendelse af elværktøjet, afhængigt af den måde elværktøjet anvendes på og især af det emne, der forarbejdes.
- ▶ Prøv at holde belastningen så lav som muligt. Vibrationsbelastningen kan f.eks. reduceres ved brug af handsker, når værktøjet anvendes, eller ved at reducere den tid, værktøjet er i brug. Her skal der tages hensyn til hele driftscyklussen (fx perioder, hvor elværktøjet er slukket, og perioder, hvor det er tændt, men kører uden belastning).



## Generelle sikkerhedsanvisninger for elværktøjer

### ⚠ ADVARSEL!

- ▶ Læs alle sikkerhedsadvarsler og anvisninger. Hvis de angivne sikkerhedsanvisninger og -instruktioner ikke overholdes, kan det medføre elektrisk stød, brand og/eller alvorlige kvæstelser.

### Opbevar sikkerhedsanvisningerne og -instruktionerne til senere brug.

Begrebet "elværktøj", der anvendes i sikkerhedsanvisningerne, henviser både til elværktøj, der anvendes med strømledning, og til batteridrevet elværktøj (uden strømledning).

## 1. Sikkerhed på arbejdspladsen

- Hold arbejdspladsen ren og godt oplyst. Rod og dårligt oplyste arbejdspladser kan medføre uheld.
- Arbejd aldrig med elværktøjet i eksplosionsfarlige omgivelser, hvor der befinder sig brændbare væsker, gasser eller støv. Elværktøj danner gnister, som kan antænde støvet eller dampene.
- Hold børn og andre personer på afstand, når elværktøjet bruges. Hvis du bliver distraheret, kan du miste kontrollen over produktet.

## 2. Elektrisk sikkerhed

- a) Elværktøjets tilslutningsstik skal passe til stikkontakten. Stikket må ikke ændres på nogen måde.  
Brug ikke adapterstik sammen med beskyttelsesjordede elværktøjer. Uændrede stik og de rigtige stikkontakter reducerer risikoen for elektrisk stød.
- b) Undgå kropskontakt med jordforbundne overflader som f.eks. rør, radiatorer, komfurer og køleskabe. Der er øget risiko for elektrisk stød, hvis din krop har jordforbindelse.
- c) Hold elværktøjet væk fra regn og fugt. Hvis der trænger vand ind i elværktøjet, øges risikoen for elektrisk stød.
- d) Brug ikke ledningen til noget, den ikke er beregnet til, f.eks. til at bære eller hænge elværktøjet op i eller til at trække stikket ud af stikkontakten med. Hold ledningen på afstand af varme, olie, skarpe kanter eller produktets bevægelige dele. Beskadede eller sammenviklede ledninger øger risikoen for elektrisk stød.
- e) Hvis du anvender elværktøj udendørs, skal du bruge en forlængerledning, som er godkendt til brug udendørs. Når du anvender en forlængerledning, der er beregnet til udendørs brug, reduceres risikoen for elektrisk stød.
- f) Hvis det ikke er muligt at undgå at bruge elværktøjet i fugtige omgivelser, er det nødvendigt at installere en fejlstrømsafbryder. Installation af en fejlstrømsafbryder reducerer risikoen for elektrisk stød.

## 3. Personssikkerhed

- a) Vær altid opmærksom og bevidst om, hvad du laver, og arbejd fornuftigt med elværktøjet.  
Brug ikke elværktøjet, hvis du er ukoncentreret eller påvirket af narkotika, alkohol eller medicin. Selv et øjebliks uopmærksomhed ved brug af elværktøjet kan medføre alvorlige kvæstelser.
- b) Brug personligt beskyttelsesudstyr, og bær altid beskyttelsesbriller. Når du bruger personligt beskyttelsesudstyr som f.eks. støvmaske, skridsikre sikkerhedssko, beskytteshandsker, sikkerhedshjelm og hørevern afhængigt af elværktøjets type og anvendelse, reduceres risikoen for kvæstelser.
- c) Undgå utilsigtet ibrugtagning. Kontrollér at elværktøjet er slukket, før du forbinder det med strømforsyningen og/eller tilslutter batteriet, tager elværktøjet op eller bærer det. Hvis du bærer elværktøjet med fingeren på kontakten, eller produktet tilsluttes til strømforsyningen, mens det allerede er tændt, kan det resultere i ulykker.
- d) Fjern indstillingsværktøj eller skruenøgler, før du tænder for elværktøjet. Hvis der sidder et værktøj eller en skruenøgle på en roterende del af produktet, kan det medføre personskader.
- e) Undgå unormale kropstillinger. Sørg for, at du står sikkert, og hold altid balancen. Derved kan du bedre kontrollere elværktøjet i uventede situationer.
- f) Bær velegnet påklædning. Bær ikke løstsiddende tøj eller smykker. Hold hår, tøj og handsker på afstand af dele, der bevæger sig. Dele, der bevæger sig, kan gribe fat i løst tøj, smykker eller hår.
- g) Hvis der monteres støvopsugnings- og opsamlingsanordninger, skal disse tilsluttes og anvendes korrekt. Anvendelse af denne type anordninger nedsætter støvrisikoen.

## 4. Anvendelse og håndtering af elværktøjet

- a) Overbelast ikke produktet. Brug et elværktøj, der er egnet til arbejdet. Du arbejder bedre og mere sikkert i det angivne effektområde, hvis du bruger det rigtige elværktøj.
- b) Brug ikke elværktøj med defekt kontakt. Elværktøj, som ikke længere kan tændes og slukkes, er farligt og skal repareres.
- c) Træk stikket ud af stikkontakten og/eller fjern det genopladelige batteri, før du indstiller produktet, skifter tilbehørsdele eller lægger produktet fra dig. Disse forholdsregler forhindrer, at elværktøjet starter ved en fejl.
- d) Opbevar elværktøj uden for børns rækkevidde, når værktøjet ikke anvendes. Personer, som ikke kender produktet, eller som ikke har læst disse anvisninger, må ikke bruge produktet. Elværktøj er farligt, hvis det anvendes af uerfarne personer.
- e) Vedligehold elværktøjet omhyggeligt. Kontrollér, om bevægelige dele fungerer, som de skal og ikke sætter sig fast, om dele er defekte eller så beskadigede, at elværktøjets funktion er påvirket. Få beskadigede dele repareret, inden du bruger produktet. Mange uheld skyldes dårligt vedligeholdt elværktøj.
- f) Hold skærende værktøj skarpt og rent. Omhyggeligt vedligeholdt værktøj med skarpe skær sætter sig ikke så ofte fast og er lettere at styre.
- g) Brug elværktøj, tilbehør, udskiftelige dele osv. i henhold til disse anvisninger. Tag hensyn til arbejdsbetingelserne og det arbejde, der skal udføres. Anvendelse af elværktøj til andet end den forskriftsmæssige anvendelse kan føre til farlige situationer.

## 5. Service

- a) Lad kun en kvalificeret reparatør reparere dit elværktøj og kun med originale reservedele. Derved garanteres det, at elværktøjets sikkerhed bevares.

### Specielle sikkerhedsanvisninger for båndsave

- Hold fast i produktet på de isolerede gribeplader, når du arbejder på steder, hvor skæreværktøjet kan ramme skjulte el-ledninger eller tilslutningsledningen. Kontakten mellem skæreværktøjet og spændingsførende ledninger kan sætte produktdele af metal under spænding og medføre elektrisk stød.
- Hold hænderne væk fra området omkring saven og savbladet.
- Sørg for, at den bærbare båndsav er ren, før du bruger den.
- Stands omgående båndsaven, hvis du bemærker noget usædvanligt.
- Kontrollér, at alle komponenter er monteret korrekt og sikkert, før du bruger produktet.
- Vær altid forsigtig, når du anbringer eller fjerner båndsavklingen.
- Hold altid hænderne væk fra båndsavsklingens skæreområde.
- Vent altid, til motoren har nået den fulde hastighed, før du saver.
- Hold håndtagene tørre, rene og fri for olie og fedt. Hold altid godt fast i værktøjet, når du arbejder.
- Vær altid opmærksom og især, når du udfører gentagne, monotone bevægelser. Sørg altid for, at dine hænder har den rigtige position i forhold til savbladet.

- Fjern aldrig emneanslaget.
- Hold dig på afstand af endestykker, som falder ned efter savningen. De kan være varme, skarpe og/eller tunge. Det kan medføre alvorlige kvæstelser.
- Luftåbninger dækker ofte bevægelige dele og må ikke dækkes til. Løstsiddende tøj, smykker eller langt hår kan komme ind i bevægelige dele.

**⚠ ADVARSEL!**

- ▶ Dette elværktøj genererer et elektromagnetisk felt under brug. I nogle tilfælde kan dette felt forringe aktive eller passive medicinske implantaters funktion. For at nedsætte risikoen for alvorlige eller dødelige kvæstelser anbefaler vi personer med medicinske implantater at spørge lægen og producenten af det medicinske implantat til råds, før elværktøjet betjenes.

**Originalt tilbehør/ekstraudstyr**

Brug kun tilbehør og ekstraudstyr, som er angivet i betjeningsvejledningen, eller hvis optag er kompatibelt med produktet.

**Før ibrugtagning****⚠ ADVARSEL!  
FARE FOR PERSONSKADER!**

Tag altid stikket ud af stikkontakten, før du udfører arbejde på produktet.

**Montering**

Bemærk, at alle dele er formonterede. Anvisningerne er kun beregnet til eventuelt servicearbejde.

**Montering af håndtaget (formonteret)**

- ◆ Hold håndtaget **9** i position på det respektive sted (se billederne på klap-ud-siden)
- ◆ Sæt vingskruen **10** gennem håndtaget **9** og kabinettet, og skrue den fast.

**Montering af skruestik (formonteret)**

- ◆ Fastgør skruestikken **15** ved hjælp af de medfølgende 4 cylinderskruer med unbrako **17** i de tilhørende huller på bagsiden af savbordet (se fig. C på klap-ud-siden). Brug en 5 mm unbrakonøgle hertil (følger ikke med).

**Montering af skærevinkelindstillingen på savbordet (formonteret)**

- ◆ Løsn skruen **20** fuldstændigt fra skærevinkelindstillingen **18**. Sæt skruen **20** nedefra gennem vinkeludskæringen på savbordet **24**, og stram den igen ved hjælp af skærevinkelindstillingen **18** (se fig. D på klap-ud-siden).
- ◆ Fastgør svingarmen **22** gennem det andet hul på savbordet **24** med en lang vingskrue **19** (se fig. D på klap-ud-siden).

## Montering af båndsåven på svingarmen

Hvis du vil bruge produktet ved hjælp af savbordet **24**, skal du gøre følgende:

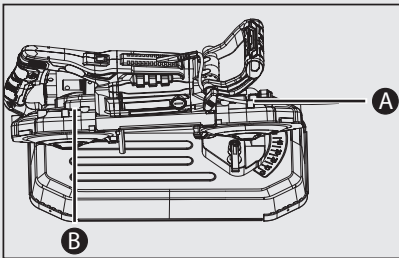
- ◆ Fastgør svingarmen **22** ved hjælp af de medfølgende 3 lange vingeskruer **19** i de tilhørende huller på bagsiden af kabinettet (se fig. E på klap-ud-siden).

### BEMÆRK

- ▶ Ved udleveringen kan møtrikken **21a** være spændt for fast. Løsn møtrikken **21a** lidt med en 19 mm-skruenøgle.
- ▶ Stram af og til møtrikken **21a** med en 19 mm-skruenøgle, hvis svingarmen **22** har for meget slør.

### ⚠ ADVARSEL!

- ▶ Båndsåven må kun bruges uden savbord **24**, hvis brugeren står stabilt og sikkert. Endvidere skal emnet fastgøres, så det ikke glider på værktøjsbænken.
- ▶ Kontrollér hele tiden, at ledningen ikke kan komme i nærheden af savklingen.
- ▶ Hvis du vil bruge produktet sammen med savbordet, skal ledningen fastgøres med ledningsholderen **A** som vist på det følgende billede:



- ▶ Ved alle andre anvendelsesformer skal ledningen holdes med ledningsholderen **A** **B**, så ledningen aldrig kan komme ind i såven/ arbejdsområdet eller i andre farlige områder.

## Indstillinger

### Indstilling af håndtaget

- ◆ For at indstille håndtaget **9** løsnes vingeskruen **10** på håndtaget.
- ◆ Drej håndtaget **9** til den ønskede position.
- ◆ Stram vingeskruen **10** igen.

### Anvendelse af skruestik

- ◆ Drej håndtaget på skruestikken **15** i retning med uret for at fastspænde emnet.
- ◆ Drej håndtaget på skruestikken **15** i retning mod uret for at løsne emnet.

### BEMÆRK

- ▶ Du kan vippe lynindstillingen **15a** op for at indstille skruestikken **16** hurtigere. Vip lynindstillingen **15a** ned igen for at fiksere skruestikken **16**. Finindstil derefter skruestikken **15** med håndtaget.

### Transportsikring

- ◆ Tag sikringsstiften **21** ud for at kunne svinge båndsåven op.
- ◆ Sving båndsåven ned, og tryk sikringsstiften **21** ind. Nu kan båndsåven nemmere transporteres med savbordet.

### Indstilling af skærevinkel (geringsvinkel)

- ◆ Løsn skærevinkeljusteringen **18** ved at dreje den i retning mod uret.
- ◆ Indstil den ønskede skærevinkel ved hjælp af de angivne gradtal.
- ◆ Spænd skærevinkeljusteringen **18** ved at dreje med uret.

### Indstilling af emneanslag

- I normal funktion skal emneanslaget **4** være fikseret i den nederste position.
- ◆ Hvis emneanslaget **4** er til hindring ved savningen, kan du løsne emneanslags-skruen **5**. Brug den medfølgende lille unbrakonøgle **6** hertil. Så kan du flytte emneanslaget **4** op. Fastgør emneanslaget **4** igen med emneanslagsskruen **5**.

### Udskiftning af savklinge

#### **⚠ ADVARSEL!** **FARE FOR PERSONSKADER!**

- ▶ Brug beskyttelseshandsker for at undgå skader.

#### **BEMÆRK**

- ▶ Savklinger kan genbestilles via vores service-hotline.

- ◆ Løsn **8** spændehåndtaget **8** til savbladet ved at dreje det mod uret **C**.
- ◆ Løsn begge sikringskruer **12** med den lille unbrakonøgle **6**.
- ◆ Tag begge beskyttelsesafdækninger **11** af.
- ◆ Tag forsigtigt savklingen **7** ud. Begynd ved føringsrullerne **14** (se fig. B på klap-ud-siden).
- ◆ Fjern eventuelle savspåner med en pensel eller trykluft.
- ◆ Skub savklingen **7** ind i føringsrullerne **14** med savtænderne opad. Sørg for, at føringsrullerne **14** går helt ind i savklingen **7**.

#### **BEMÆRK**

- ▶ Sørg for, at retningspilen på savbladet **7** (hvis den forefindes) stemmer overens med pilen på gummihjulene **13**.
- ◆ Læg savklingen **7** om de to gummihjul.
- ◆ Stram spændearmen **8** til savbladet igen i urets retning **C**.
- ◆ Montér begge beskyttelsesafdækninger **11**.

#### **⚠ ADVARSEL!** **FARE FOR PERSONSKADER!**

- ▶ Brug kun produktet med monterede beskyttelsesafdækninger **11**!
- ◆ Udfør en prøvekørsel ved at tænde og slukke et par gange for produktet for at finde ud af, om savklingen sidder rigtigt.

#### **⚠ ADVARSEL!** **FARE FOR PERSONSKADER!**

- ▶ Hold kroppen væk fra saveområdet under prøvekørslen!

## Ibrugtagning

### Tænd og sluk for produktet

#### Tænd

- ◆ Tryk på tænd-/sluk-knappen **3**, og hold den inde.

#### Sluk

- ◆ Slip tænd-/sluk-knappen **3**.

### Tænd/sluk for arbejdslampen

#### Tænd

- ◆ Stil lyskontakten **1** på position I. Arbejdslampen **23** lyser.

#### Sluk

- ◆ Stil lyskontakten **1** på position O. Arbejdslampen **23** slukkes.

### Indstilling af hastighed

- ◆ Stil hastighedsindstillingen **2** på en position mellem 1 og 6.

## Arbejdsanvisninger

- ◆ Fastgør emnet, så det ikke kan glide, med f.eks. skruestikken 16 på savbordet.
- ◆ Brug savens egen vægt ved savning. Læg derudover ikke for meget tryk på saven.
- ◆ Vent, til saven har nået den fulde hastighed, før du forsigtigt bringer den i kontakt med emnet.
- ◆ Hvis savklingen 7 blokerer, skal du straks slukke for produktet.
- ◆ Sørg for ikke at bøje savklingen 7, mens du saver.
- ◆ Sørg for, at produktet står stabilt og sikkert. Produktet kan af sikkerhedshensyn fastgøres på et egnet sted. Kabinettets fod er udstyret med 4 huller 25, som kan bruges til fastgørelse af produktet til et fast og plant underlag. Til dette formål stikkes fastgørelsesmaterialer, som egner sig til det pågældende underlag (medfølger ikke), gennem de 4 huller 25. Ved hjælp af disse fastgørelsesmaterialer kan produktet fikseres til underlaget.

**⚠ ADVARSEL!**  
**FARE FOR PERSONSKADER!**

- Fjern først emnet, når saven står helt stille.

## Rengøring og vedligeholdelse

**⚠ ADVARSEL!**  
**FARE FOR PERSONSKADER!**

- Tag altid stikket ud af stikkontakten, før du udfører arbejde på produktet.
- Opbevar produktet og savklingerne på et tørt sted, der er beskyttet mod støv.
- Produktet skal altid være rent og uden olie og smørefedt.
- Brug en tør klud til rengøring af kabinettet.

- Lad udelukkende serviceværkstedet eller et anerkendt specialværksted udskifte kulbørsterne.
- Ventilationsåbningerne må aldrig dækkes til.
- Fjern fastsiddende savstøv med en pensel.

### BEMÆRK

- Reservedele, som ikke er angivet (f.eks. kulbørster, kontakter, savklinger), kan bestilles hos vores service-hotline.

## Bortskaffelse



Emballagen består af miljøvenlige materialer, som kan bortskaffes på de lokale genbrugspladser.



### Bortskaf ikke elværktøj ud sammen med husholdningsaffaldet!

I henhold til det europæiske direktiv 2012/19/EU skal kasseret elværktøj indsamles særskilt og afleveres til miljøvenligt genbrug.



Bortskaf emballagen miljøvenligt. Vær opmærksom på mærkningen på de forskellige emballeringsmaterialer, og aflever dem til bortskaffelse i sorteret form. Emballagematerialerne er mærket med forkortelserne (a) og tallene (b) med følgende betydning: 1-7: Plast, 20-22: Papir og pap, 80-98: Kompositmaterialer.



Du kan få oplysninger hos kommunen om bortskaffelse af udtjente produkter.



Produktet kan genbruges, er underlagt udvidet producentansvar og indsamles separat.

## Garanti for Kompernass Handels GmbH

Kære kunde

På dette produkt får du 3 års garanti fra købsdatoen. I tilfælde af mangler ved produktet har du en række juridiske rettigheder i forhold til sælgeren af produktet. Dine juridiske rettigheder forringes ikke af den nedenfor anførte garanti.

### Garantibetingelser

Garantiperioden begynder på købsdatoen. Opbevar venligst kvitteringen et sikkert sted. Den er nødvendig for at kunne dokumentere købet.

Hvis der inden for tre år fra dette produkts købsdato opstår en materiale- eller fabrikationsfejl, vil produktet – efter vores valg – blive repareret eller udskiftet, eller købsprisen vil blive refunderet gratis til dig. Denne garantiydelse forudsætter, at det defekte produkt afleveres, og købsbeviset (kvitteringen) forevises i løbet af fristen på tre år, og at der gives en kort skriftlig beskrivelse af, hvori manglen består, og hvornår den er opstået.

Hvis defekten er dækket af vores garanti, får du et repareret eller et nyt produkt retur. Reparation eller ombytning af produktet udløser ikke en ny garantiperiode.

### Garantiperiode og juridiske mangelkrav

Garantiperioden forlænges ikke, hvis der gøres brug af garantien. Det gælder også for udskiftede og reparerede dele. Skader og mangler, som eventuelt allerede fandtes ved køb, samt manglende dele, skal anmeldes straks efter udpakningen. Når garantiperioden er udløbet, er reparation af skader betalingspligtig.

### Garantiens omfang

Produktet er produceret omhyggeligt efter strenge kvalitetsretningslinjer og testet grundigt inden leveringen.

Garantien dækker materiale- og fabrikationsfejl. Denne garanti omfatter ikke produktdele, der er udsat for normal slitage og derfor kan betragtes som sliddele, eller skader på skrøbelige dele som f.eks. kontakter eller dele af glas.

Denne garanti bortfalder, hvis produktet er blevet beskadiget, ikke er forskriftsmæssigt anvendt eller vedligeholdt. For at sikre forskriftsmæssig anvendelse af produktet skal alle anvisninger nævnt i betjeningsvejledningen nøje overholdes. Anvendelsesformål og handlinger, som frarådes eller der advares imod i betjeningsvejledningen, skal ubetinget undgås.

Produktet er kun beregnet til privat og ikke til kommercielt brug. Ved misbrug og uhensigtsmæssig brug, anvendelse af vold og ved indgreb, som ikke er foretaget af vores autoriserede serviceafdeling, bortfalder garantien.

### Garantiperioden gælder ikke ved

- Normalt forbrug af batteriets kapacitet
- Erhvervs-mæssig anvendelse af produktet
- Beskadigelser eller ændringer på produktet udført af kunden
- Manglende overholdelse af sikkerheds- og vedligeholdelsesforskrifter, betjeningsfejl
- Skader som følge af naturkatastrofer



## Afvikling af garantier

For at sikre en hurtig behandling af din anmeldelse bør du følge nedenstående anvisninger:

- Ved alle forespørgsler bedes du have kvitteringen og artikelnummeret (f.eks. IAN 12345) klar som dokumentation for købet.
- Artikelnummeret kan du finde på typeskiltet på produktet, som indgravering på produktet, på betjeningsvejledningens forside (nederst til venstre) eller som klæbemærke på bag- eller undersiden af produktet.
- Hvis der opstår funktionsfejl eller øvrige mangler, bedes du først kontakte nedennævnte serviceafdeling **telefonisk** eller **via e-mail**.
- Et produkt, der er registreret som defekt, kan du derefter indsende portofrit til den oplyste serviceadresse med vedlæggelse af købsbevis (kvittering) og en beskrivelse af, hvori manglen består, og hvornår den er opstået.



På [www.lidl-service.com](http://www.lidl-service.com) kan du downloade denne og mange andre manualer, produktvideoer og installationssoftware.

Med denne QR-kode kommer du direkte til Lidl-servicesiden ([www.lidl-service.com](http://www.lidl-service.com)) og kan åbne den ønskede betjeningsvejledning ved indtastning af artikelnummeret (IAN) 364705\_2101.

### ⚠ ADVARSEL!

- ▶ Få produktet repareret på et serviceværksted eller af en elektriker og kun med originale reservedele. Derved garanteres det, at produktets sikkerhed bevares.
- ▶ Lad altid produktets producent eller dennes kundeservice udskifte stikket eller ledningen. Derved garanteres det, at produktets sikkerhed bevares.

## Service

(DK) Service Danmark

Tel.: 32 710005

E-Mail: [kompernass@lidl.dk](mailto:kompernass@lidl.dk)

IAN 364705\_2101

## Importør

Bemærk at den efterfølgende adresse ikke er en serviceadresse. Kontakt først det nævnte servicested.

KOMPERNASS HANDELS GMBH

BURGSTRASSE 21

44867 BOCHUM

TYSKLAND

[www.kompernass.com](http://www.kompernass.com)

## Original overensstemmelseserklæring

Vi, KOMPERNASS HANDELS GMBH, dokumentansvarlig: Semi Uguzlu, BURGSTR. 21, 44867 BOCHUM, TYSKLAND, erklærer hermed, at dette produkt stemmer overens med følgende standarder, standardiseringsdokumenter og EU-direktiver:

**Maskindirektivet**  
(2006/42/EC)

**Elektromagnetisk kompatibilitet**  
(2014/30/EU)

**RoHS-direktivet**  
(2011/65/EU)\*

\* Ansvar for udstedelsen af denne overensstemmelseserklæring er udelukkende producentens. Den ovenfor beskrevne genstand i erklæringen opfylder forskrifterne i Europa-Parlamentets og Rådets direktiv 2011/65/EU af 8. juni 2011 om begrænsning af anvendelsen af visse farlige stoffer i elektrisk og elektronisk udstyr.

### Anvendte harmoniserede standarder

EN 60745-1:2009/A11:2010  
EN 60745-2-20:2009  
EN 55014-1:2017  
EN 55014-2:2015  
EN 61000-3-2:2014  
EN 61000-3-3:2013  
EN IEC 63000:2018

**Type/produktbetegnelse:** Metalbåndsav PMB 1100 B2

**Produktionsår:** 04-2021

**Serienummer:** IAN 364705\_2101

Bochum, 18.02.2021



Semi Uguzlu  
- Kvalitetschef -

Vi forbeholder os retten til tekniske ændringer med henblik på videreudvikling.



**KOMPERNASS HANDELS GMBH**

BURGSTRASSE 21

44867 BOCHUM

GERMANY

[www.kompernass.com](http://www.kompernass.com)

Last Information Update · Stand der Informationen · Version des informations · Stand van de informatie  
Stav informací · Stan informáci · Stav informácií · Estado de las informaciones · Tilstand af information:  
03/2021 · Ident.-No.: PMB1100B2-022021-1

---

IAN 364705\_2101