

Overlock Sewing Machine SON 90 A1



GB **Overlock Sewing Machine**
Operating instructions

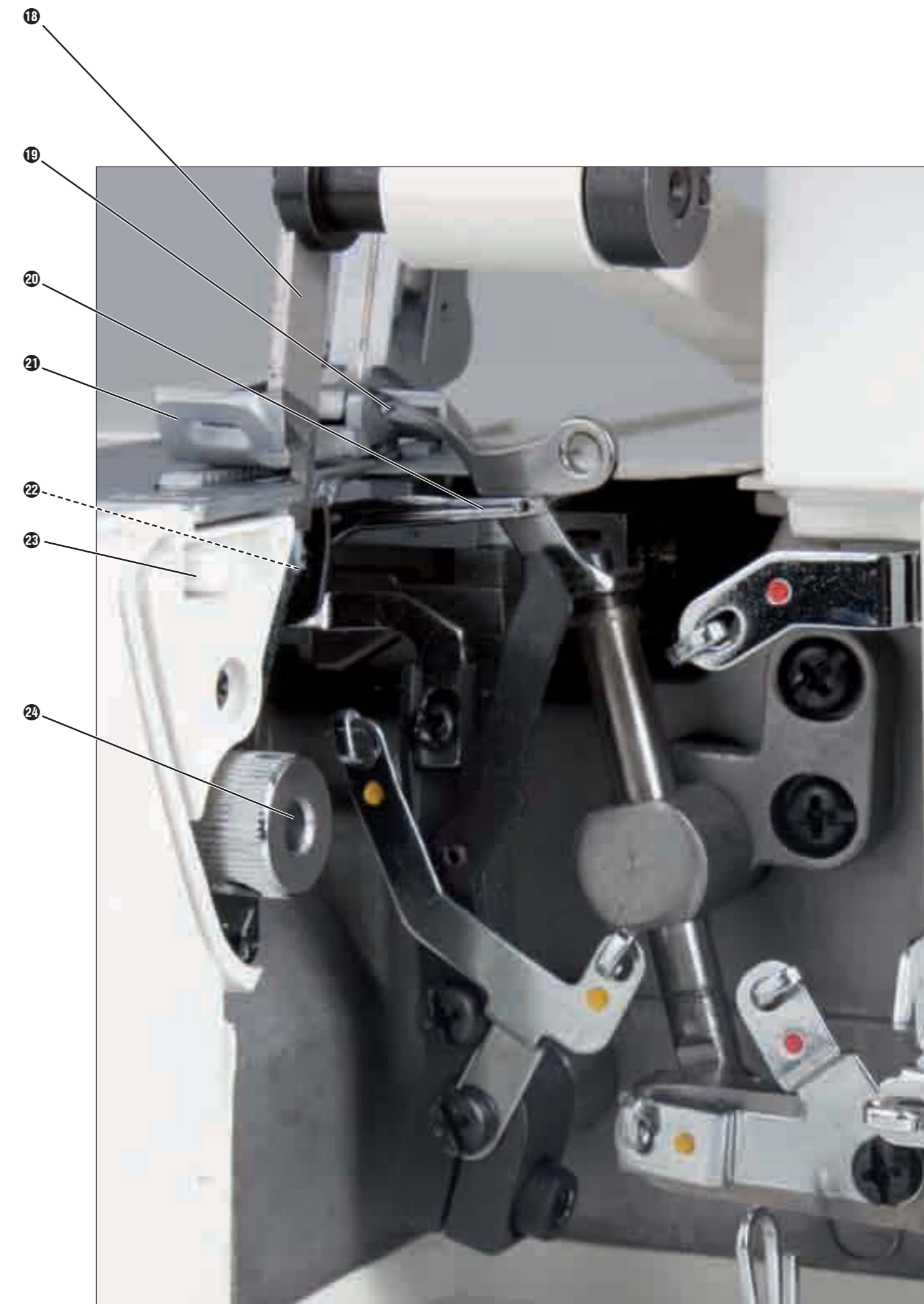
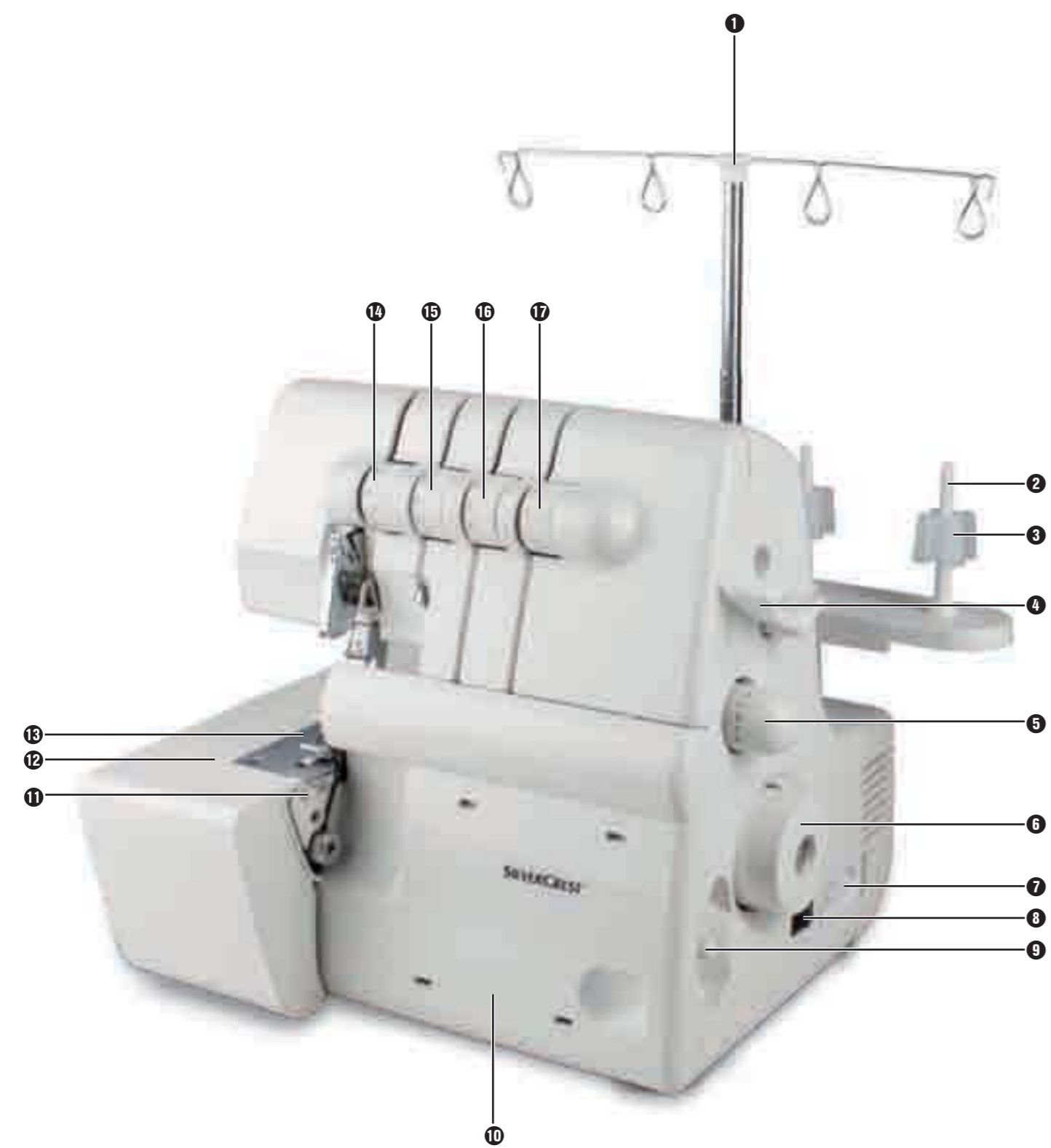
HU **Overlock varrógép**
Használati utasítás

CZ **Šicí stroj Overlock**
Návod k obsluze

PL **Maszyna do szycia ze
ścieniem overlock**
Instrukcja obsługi

SI **Opletilni (overlock)
šivalni stroj**
Navodila za uporabo

SK **Obnitkovací šijací stroj**
Návod na obsluhu



Intended Usage	3
Safety instructions	3
Items supplied	4
Technical Data	4
Description of the appliance	5
Bringing the upper blade into a rest position	5
Needle Information	5
Upper looper element	5
Opening the front flap	6
Preparation	6
Connecting the foot pedal	6
Controlling the sewing speed	6
Safety switch	6
Fitting the waste container	6
Removing needle(s)	7
Inserting needle(s)	7
Operating the handwheel	7
Adjusting the thread tree	7
Threading	8
General instructions for threading	8
Threading the upper looper thread (red)	8
Threading the lower looper thread (yellow)	10
Threading yarn for the right needle (green)	11
Threading yarn for the left needle (blue)	13
Trial run	14
Changing threads (binding together)	15
Set the stitch length	15
Setting the seam width	15
... by using the right or left needle	15
... by turning the seam width adjustment knob	16
Setting the seam width adjustment knob	16
Adjust sewing foot pressure	16
Differential transport	17
Manner of operation	17
Gathered overlock seam - Settings	17
Stretched overlock seam - Settings	17
Free arm sewing	18

Read these operating instructions carefully before using the appliance for the first time and preserve this booklet for later reference. Pass this booklet on to whoever might acquire the appliance at a future date.

Overlock seams	19
Roll hemmings	19
Binding-off and sample sewing	20
Recommended tension settings	20
2-thread overcast chain stitch (overlock)	21
2-thread-overcast-stitch	22
3-thread chain stitch (overlock)	23
3-thread - flatlock seam	24
3-thread overcast chain stitch (overlock)	25
3-thread safety stitch, highly elastic, imitated	26
4-thread safety stitch, highly elastic, imitated	27
Roll hemmings	28
3-thread rolled hem	28
3-thread upper looper overcast rolled hem	28
2-thread rolled hem	29
2-thread lower looper overcast rolled hem	29
Flatlock decorative seams	30
Flatlock seam as assembly seam	30
Flatlock seam as decorative seam	31
Overlock blind hems	31
Pin tucks	31
Sewing corners	32
Outer corners	32
Inner corners	32
Tips and Tricks	33
Using pins	33
Secure empty threads	33
Seam reinforcement	33
Edging	33
Maintenance and Cleaning	34
Cleaning and lubrication	34
Exchanging the lower blade	34
Storage	35
Disposal	35
Warranty and Service	35
Importer	35
Troubleshooting	36

OVERLOCK SEWING MACHINE

Intended Usage

This overlock sewing machine is intended ...

- for use as a portable machine,
- for the trimming of material edges (sewing) of typical household textiles, and ...
- only for domestic household use.

This overlock sewing machine is not intended ...

- to be installed at a permanent location,
- for the processing of other materials (e.g. leather, canvas, sailcloth and other heavy materials),
- for commercial or industrial use.

Safety instructions

Like any other electrical device, a sewing machine can cause serious, even life-threatening injuries. To avoid these, and to work safely:



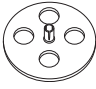
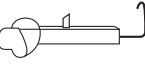
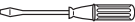




- Always disconnect the power supply when leaving the machine unattended. This will prevent the risk of accidents if the machine is switched on accidentally.
- Always first disconnect the power plug before carrying out maintenance work on the machine. This will prevent possibly life-threatening electric shocks. The LED light is not exchangeable.
- Do not pull the plug out of the wall socket by the lead. When pulling out the plug, always hold the plug, not the lead.
- Only use the sewing machine in dry rooms.
- Arrange for defective power plugs and/or cables to be replaced at once by qualified technicians or our Customer Service Department.
- This appliance is not intended for use by individuals (including children) with restricted physical, physiological or intellectual abilities or deficiencies in experience and/or knowledge unless they are supervised by a person responsible for their safety or receive from this person instruction in how the appliance is to be used.
- Children should be supervised to ensure that they do not play with the appliance.
- Never use the machine when the ventilation apertures are blocked. Keep the ventilation apertures of the machine and the foot switch free from fluff, dust and waste material.
- Should the cable connected to the foot pedal become damaged, to avoid potential risks it must be replaced by the manufacturer, his customers services or a similarly qualified person.

Warning about injuries and material damages:

- Keep your work space tidy. An untidy workplace can lead to accidents.
- Provide adequate lighting when working!
- Do not wear loose clothing or jewellery, as these can be caught in moving parts. You should also wear a hair net if you have long hair.
- Avoid adopting an unusual posture. Remain steady and in a well-balanced position at all times.
- If accidents occur as a result of handling the machine with insufficient care, or failure to follow the safety instructions in this manual, then the manufacturer cannot accept liability.
- Never cover the ventilation slots! Risk of overheating!
- Keep the sewing machine oil well away from children.
- If swallowed, or should eye contact be made with the sewing machine oil, consult a doctor immediately.

Items supplied

Overlock Sewing Machine
 Oil
 Waste container
 Accessory box
 Operating instructions

Replacement blade (bottom)	
2 Needles Nr. 11 4 Needles Nr. 14 (2 in the machine, pre-installed)	
4 Bobbin caps	
Upper looper element	
Screwdriver small	
Screwdriver large	
Covering hood	
Tweezers	
Brush with integrated unstitcher	

The accessories are to be found in the accessory box on the side of the machine (Fig.1.).

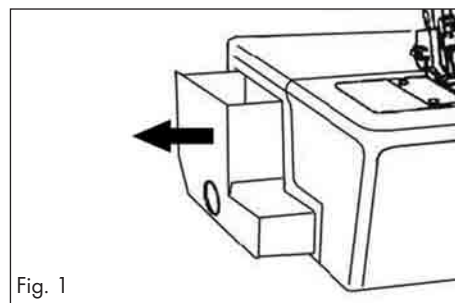



Fig. 1

Technical Data

Number of threads	2, 3 or 4
Number of needles	2 or 1
Sewing speed	approx. 1200 rpm
Stitch width	
right:	3.0 mm - 4.5 mm
left:	5.2 mm - 6.7 mm
Stitch length	1 - 4 mm
Needles	HA x 1 Nr. 11-14 or 130/705 Nr. 75-90
Power consumption :	90 W
Rated voltage:	220 - 240 V ~, 50Hz
Protection class:	II 

The sound intensity level under normal operating conditions amounts to 78dB(A).

Foot pedal

Use only the foot pedal originally supplied with this sewing machine:
 - ELECTRONIC FDM Speed Controller
 - Type KD - 2902

Description of the appliance

On the front fold-out page:

- ❶ Thread tree
- ❷ Spool support
- ❸ Thread roll centerer
- ❹ Sewing foot lever
- ❺ Adjustment wheel for stitch length
- ❻ Handwheel
- ❼ Connection Footpedal/Power supply
- ❽ Power switch (On/Off switch)
- ❾ Differential transport lever
- ❿ Front flap
- ⓫ Support plate of the seam width finger
- ⓬ Free arm
- ⓭ Stitch plate
- ⓮ Thread tension selector (left needle)
- ⓯ Thread tension selector (right needle)
- ⓰ Thread tension selector (upper looper)
- ⓱ Thread tension selector (lower looper)

On the rear fold-out page:

- ⓫ movable upper blade (Upper blade)
- ⓬ Upper looper
- ⓭ Lower looper
- ⓮ Sewing foot
- ⓯ Fixed lower blade
- ⓰ Seam width switch
- ⓱ Seam width adjustment knob

Bringing the upper blade into a rest position

To make certain types of seam, or to more easily operate the adjustment wheel for cutting width ❶, you must bring the upper blade ⓫ into a rest position.

For this, press the upper blade ⓫ to the right and rotate it a little, so that it is firmly seated (Fig. 2 and 3).

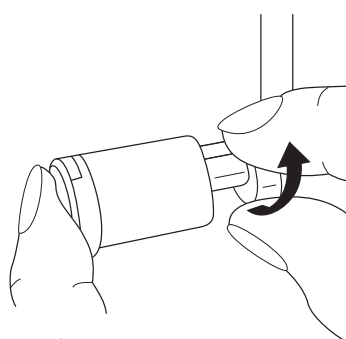


Fig. 2

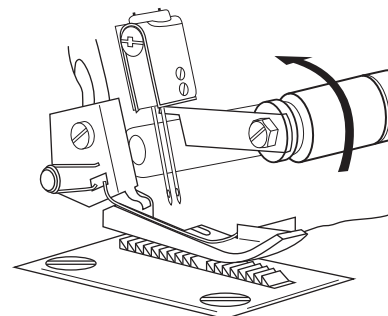


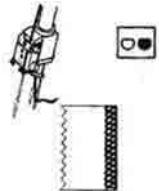
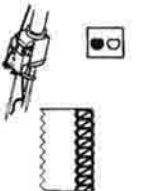
Fig. 3

Needle Information

This machine uses standard commercial flat-shaft needles for sewing machines. These prevent the incorrect insertion of the needle. You can purchase these needles in any specialist shop.

You can use needles of the sizes 11 and 14 in this machine.

The adjoining table gives you a brief overview of the differences when using a needle (for detailed information, see "Setting the seam width").

Seam width	3.5 mm	5.7 mm
Employed needle	right needle	left needle
Thread tension selector	green	blue
		

Upper looper element

For some kinds of stitches you will need to use the upper looper element. When you need to insert it is described in the individual stitches.

Insert the small wire from behind in the eyelet of the upper looper ⓬ and the plastic bolt, on the other end and from the front, in the hole in the upper looper ⓬ (Fig. 4a).

You can store the upper looper ready for use in the slot behind the front flap ❿ (Fig. 4b).



Fig.4a

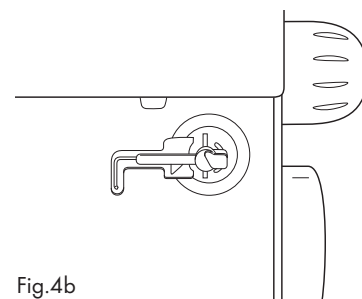


Fig.4b

Opening the front flap

⚠ Attention!

Always switch the machine off with the power switch ⑧ when you open the front flap ⑩. Risk of Injury!

- Slide the front flap ⑩ to the right (A) and then pull it towards you (B) (Fig. 5). You will see the upper looper behind the front flap ⑩.

i Note:

While sewing, the front flap ⑩ must be kept closed!

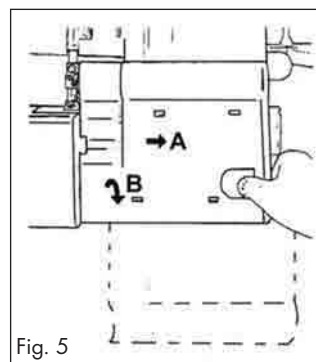


Fig. 5

Preparation

Place the overlock sewing machine on a stable and level surface.

Ensure there is sufficient illumination at your workplace.

Connecting the foot pedal

- Insert the plug of the foot pedal into the socket for the foot pedal ⑦.
- Insert the plug into a power socket.

To switch the machine on, press the power switch ⑧.

⚠ Attention!

During absences from the machine or when doing maintenance work, always remove the plug from the mains power socket. Risk of Injury!

Controlling the sewing speed

The sewing speed is controlled by means of the foot pedal. The sewing speed is changed by applying more or less pressure to the foot pedal.

Safety switch

This machine is fitted with a micro safety switch. You cannot start the machine if the front flap ⑩ is open. Close the front flap ⑩ before you start to sew.

Fitting the waste container

The waste container collects remnants during sewing, so that your workplace stays tidy.

- First push the two restraints (A) into the receiving holes (B) (Fig. 6).
- Then guide the two restraints (C) into the receiving holes (D) (Fig. 7).

- To remove the waste container, pull it forward and then tilt it slightly (Fig. 8).

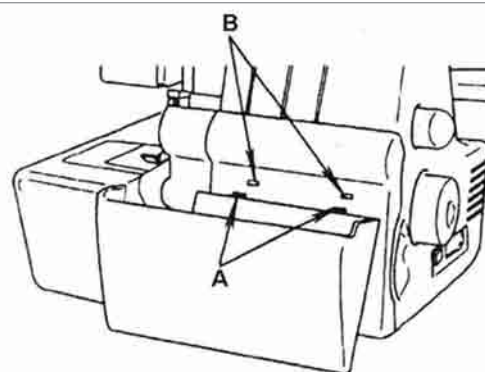


Fig. 6

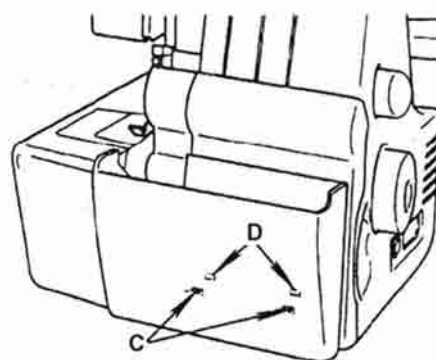


Fig. 7

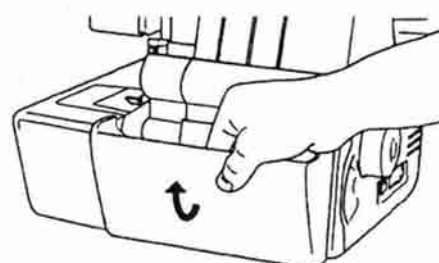


Fig. 8

Removing needle(s)

⚠ Attention!

Before exchanging the needles, remove the power plug. This prevents an unintended starting of the machine. If you do not, you run a risk of serious injury!

Tip!

An exchange of the needles is easier if you first remove the free arm cover (Fig. 9a)!

1. Turn the handwheel **⚙** towards yourself until the needles are in the highest position (Fig. 9b)
2. Loosen the needle retaining screws with the small screwdriver until the needles are free (Fig. 10).
3. Remove the needles.

Inserting needle(s)

⚠ Attention!

Before exchanging the needles, remove the power plug. This prevents an unintended starting of the machine. If you do not, you run a risk of serious injury!

1. Hold the needle with the flattened side to the rear.
2. Push the needle as far as it will go into the needle holder.
3. Firmly tighten the needle screws with the small screwdriver (Fig. 10).

Operating the handwheel

ⓘ Note:

Always turn the handwheel **⚙** only towards yourself (Fig. 9b).

Adjusting the thread tree

- Completely remove the thread tree **①** before threading (Fig. 11).
- Turn the thread tree **①** so that the thread guides stand exactly above the spool supports **②**.
- In the correct position, the two jointed parts of the thread tree **①** snap audibly into position.
- Place the thread rolls on the thread roll centring.
If you do not use industrial coils, remove the thread roll centring. Slide a spool cap onto each of the thread rolls (Fig. 12). This will hold them in place when sewing.

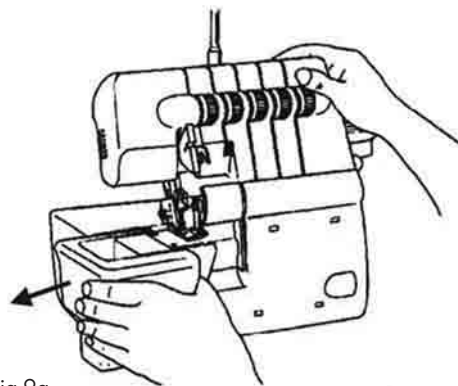


Fig. 9a

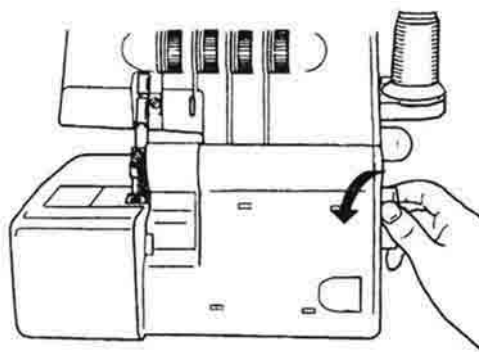


Fig. 9b

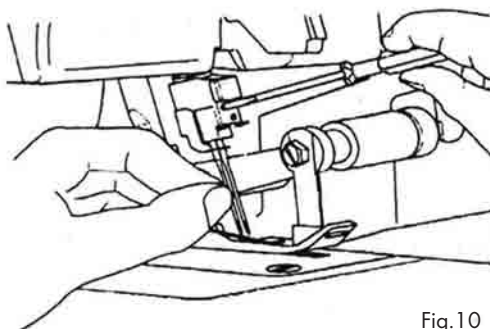


Fig. 10

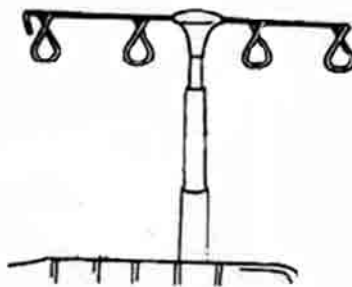


Fig. 11



Fig. 12

Threading

i Note:

On delivery, all 4 threads are already threaded. You can begin sewing immediately. Should you wish to change the thread, and all 4 threads are still threaded, then proceed as described in the chapter "Changing threads (binding together)".

Should you need to rethread all threads from scratch, then proceed as described in this chapter, "Threading".

General instructions for threading

⚠ Attention!

Before threading, ALWAYS place the power switch **Ⓚ** at "O" (Off) and remove the plug from the mains power socket. This prevents an unintended starting of the machine. If you do not, you run a risk of serious injury!

Correct threading is important, so that the stitches are not irregular and that the yarn does not break.

Behind the front flap **ⓐ** there is a diagram with instructions for threading. Additionally, the thread guides are marked in various colours.

In the accessory box you will find tweezers, the use of which helps make threading easier.

Threading is done in this order (Fig. 13/14):

1. First step: Upper looper (red)
2. Second step: Lower looper (yellow)
3. Third step: Thread for the right needle (green)
4. Fourth step: Thread for the left needle (blue)

i Note:

When all threads are threaded, and the lower looper thread loosens itself, proceed as follows:

- Unthread the two threads of the needles.
- Then thread the lower looper thread.
- First then rethread the threads of the two needles again.

The needles must always be the last to be threaded!

For simplification, the individual steps are numbered on the drawings.

Threading the upper looper thread (red)

⚠ Attention!

Before threading, ALWAYS place the power switch **Ⓚ** at "O" (Off) and remove the plug from the mains power socket. This prevents an unintended starting of the machine. If you do not, you run a risk of serious injury!

Always use the accompanying drawings for assistance.

Figure 15 shows the thread path of the upper looper thread. The individual threading positions are numbered and described in detail in the following.

1. Open the front flap **ⓐ**.
2. Guide the yarn from back to front through the thread tree **ⓑ** (1).

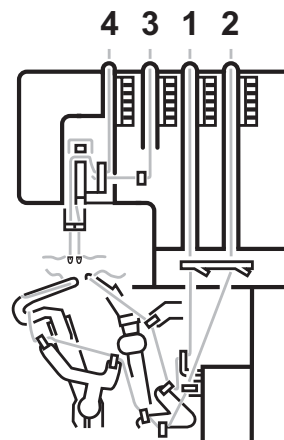


Fig. 13

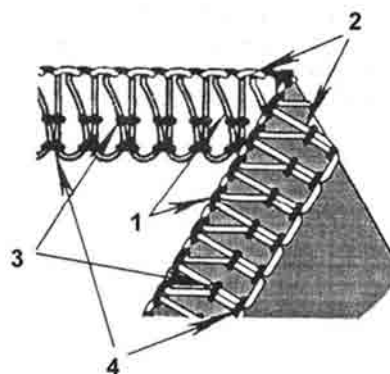


Fig. 14

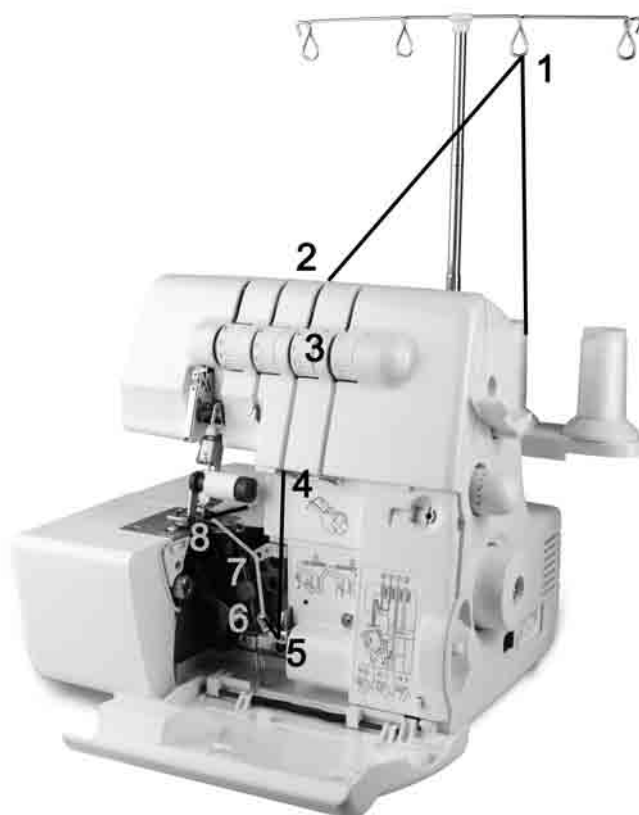


Fig. 15

3. Thread the yarn into the thread guide in that you pull the thread down until it slips under the thread guide (2) (Fig. 16).

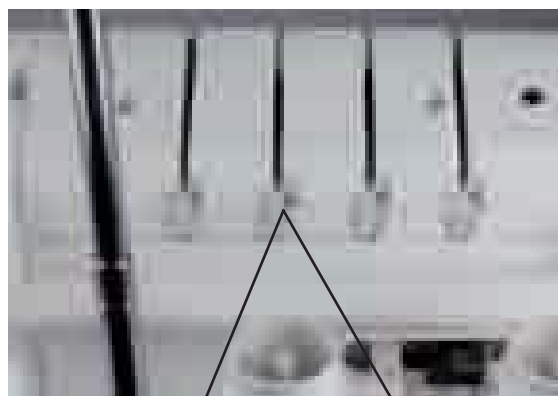
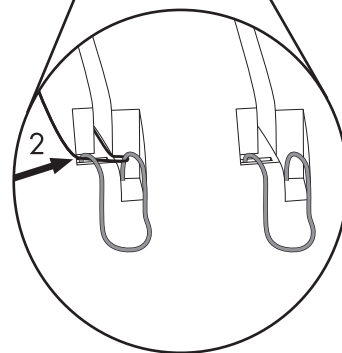


Fig. 16



4. Firmly hold the yarn with your fingers, guide it between and through the discs of the thread tension selector 16 and then pull it down (3) (Fig. 17).

i Note:

The yarn must lie correctly between the two discs of the thread tension selector 16.

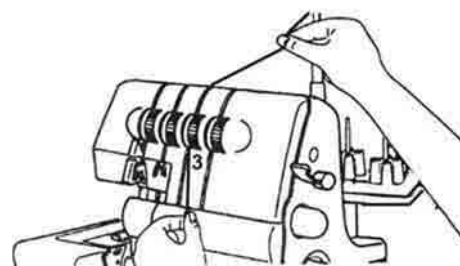


Fig. 17

5. Thread the yarn in the looper area as per the red markings (Fig. 18).
6. Pull the thread from back to front through the upper looper 19.
7. Pull around 10 cm of thread through the looper and place it behind the stitch plate 13.

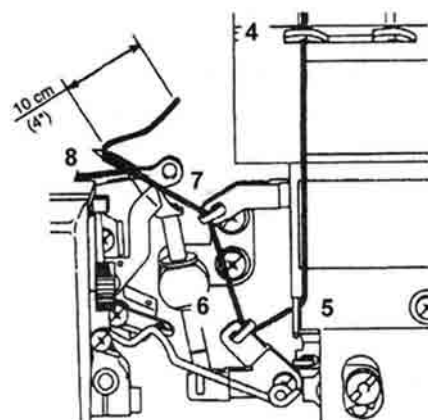


Fig. 18

Threading the lower looper thread (yellow)

⚠ Attention!

Before threading, ALWAYS place the power switch **8** at "O" (Off) and remove the plug from the mains power socket. This prevents an unintended starting of the machine. If you do not, you run a risk of serious injury!

Figure 19 shows the thread path of the lower looper thread. The individual threading positions are numbered and described in detail in the following.

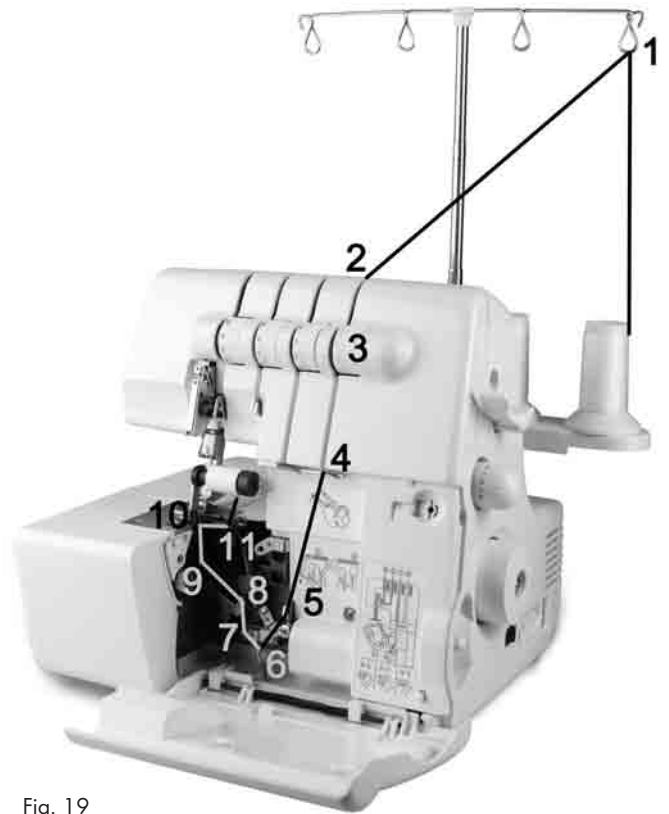


Fig. 19

1. Guide the yarn from back to front through the thread tree **1** (1).
2. Thread the yarn into the thread guide in that you pull the thread down until it slips under the thread guide (2) (Fig. 20).

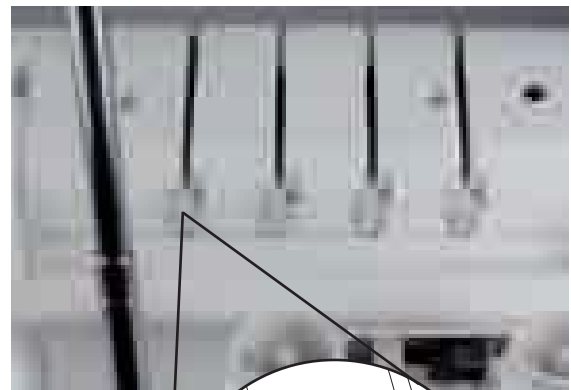


Fig. 20

3. Firmly hold the yarn with your fingers, guide it between and through the discs of the thread tension selector **17** and then pull it down (3) (Fig. 21).

i Note:

The yarn must lie correctly between the two discs of the thread tension selector **17**.

4. Turn the handwheel **6** to yourself until the lower looper **20** is at the far right.

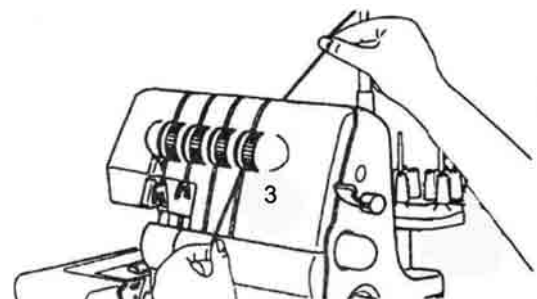


Fig. 21

5. Thread the yarn in the looper area as per the yellow markings (4 - 8) (Fig. 22).

6. Firmly hold the yarn with the tweezers about 4 cm from the thread guide (Fig. 23).
7. Now guide it lightly, from the left and with the tweezers, under the thread guide.
8. Pull the yarn upwards into the thread guide (9).

9. Lead the yarn to the rear and over the upper end of the lower looper ⑳ (10A) (Fig. 23).

10. Then, carefully pull the yarn down so that it slides into the recess of the looper (10B) (Fig. 23). For this step also use the drawing which is attached to the machine!

11. Guide the thread through the looper eyelet (11). The yarn should run in the groove of the lower looper ⑳ (Fig. 23).

12. Draw around 10 cm of yarn through the looper and place it to the rear **over** the upper looper ⑑ and the stitch plate ⑬.

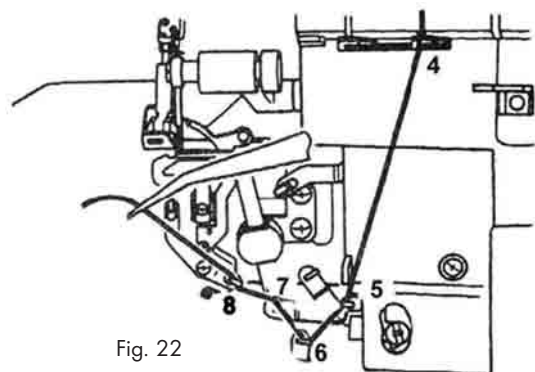


Fig. 22

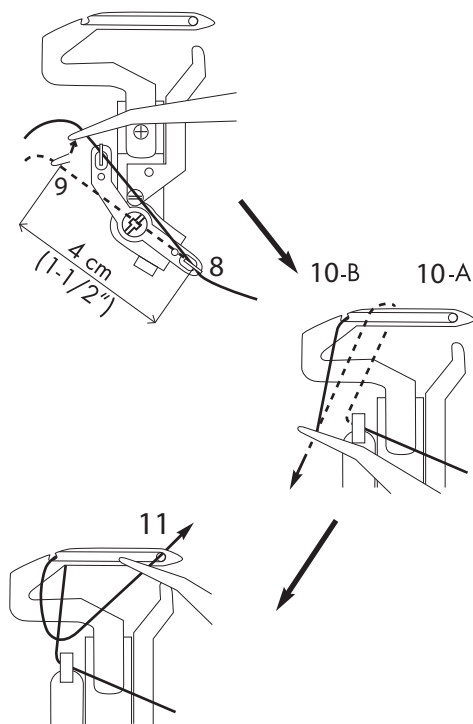


Fig. 23

Threading yarn for the right needle (green)

⚠ **Attention!**

Before threading, ALWAYS place the power switch ⑧ at "O" (Off) and remove the plug from the mains power socket. This prevents an unintended starting of the machine. If you do not, you run a risk of serious injury!

Figure 24 shows the thread path of the right needle thread. The individual threading positions are numbered and described in detail in the following.

1. Guide the yarn from back to front through the thread tree ① (1).

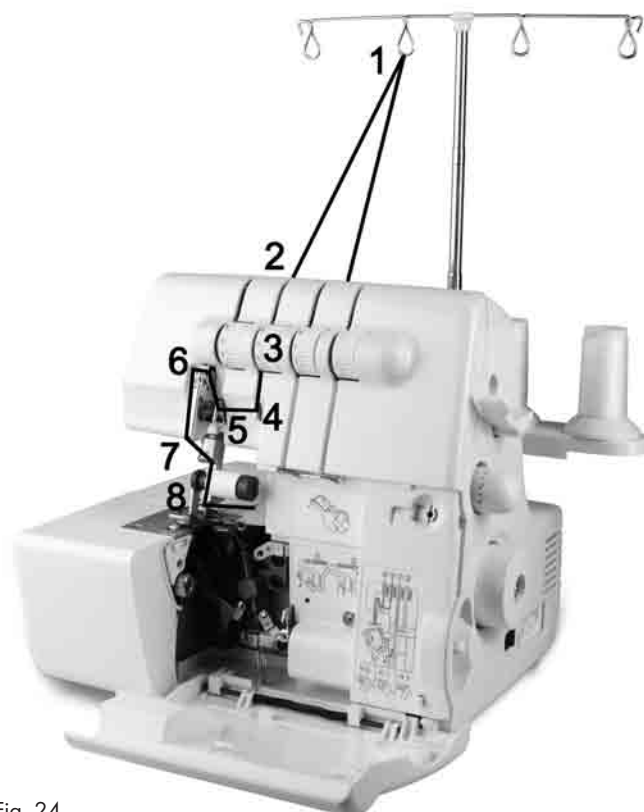
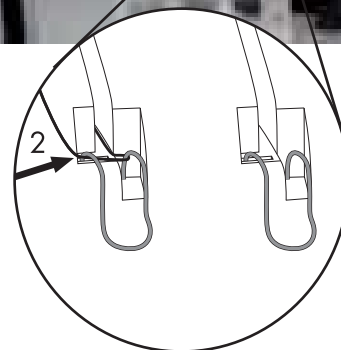


Fig. 24

2. Thread the yarn into the thread guide in that you pull the thread down until it slips under the thread guide (2) (Fig. 25).



Fig. 25



3. Firmly hold the yarn with your fingers, guide it between and through the discs of the thread tension selector 15 and then pull it down (3) (Fig. 26).

i Note:

The yarn must lie correctly between the two discs of the thread tension selector 15.

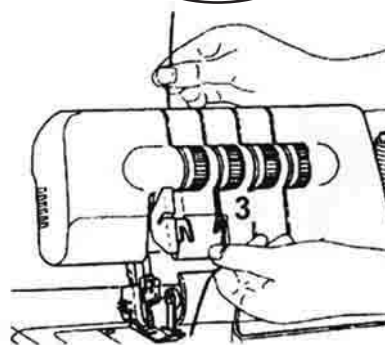


Fig. 26

4. Thread the yarn as per the green markings (4-7) (Fig. 27/28).

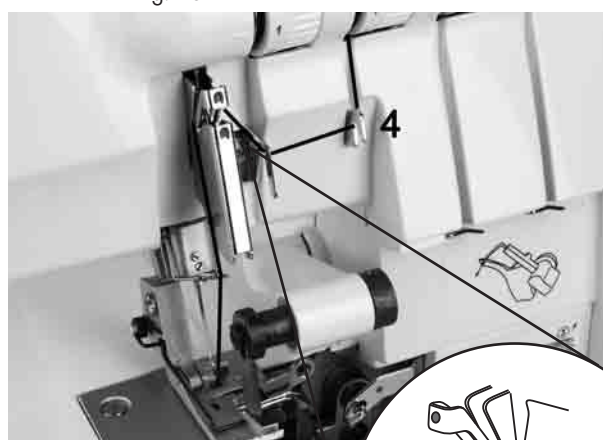
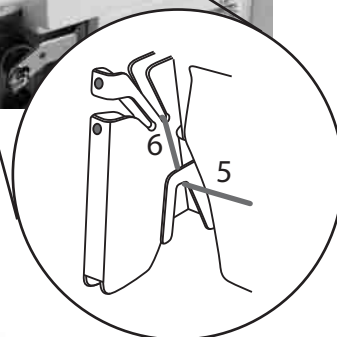


Fig. 27



5. Thread the yarn through the right needle (8) (Fig. 28).
6. Lay the yarn to the rear under the sewing foot 21.

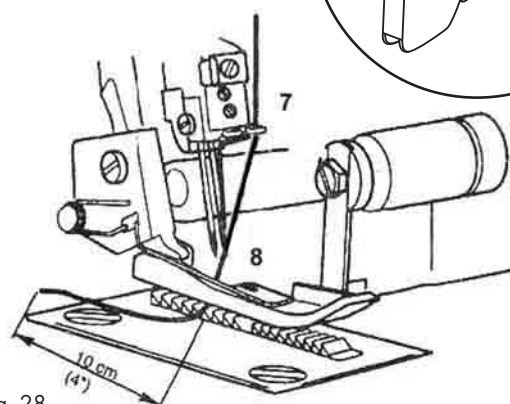


Fig. 28

Threading yarn for the left needle (blue)

⚠ Attention!

Before threading, ALWAYS place the power switch **8** at "O" (Off) and remove the plug from the mains power socket. This prevents an unintended starting of the machine. If you do not, you run a risk of serious injury!

Figure 29 shows the thread path of the left needle thread. The individual threading positions are numbered and described in detail in the following.

1. Guide the yarn from back to front through the thread tree **1** (1).
2. Thread the yarn into the thread guide in that you pull the thread down until it slips under the thread guide (2) (Fig. 30).
3. Firmly hold the yarn with your fingers, guide it between and through the discs of the thread tension selector **14** and then pull it down (3) (Fig. 31).

i Note:

The yarn must lie correctly between the two discs of the thread tension selector **14**.

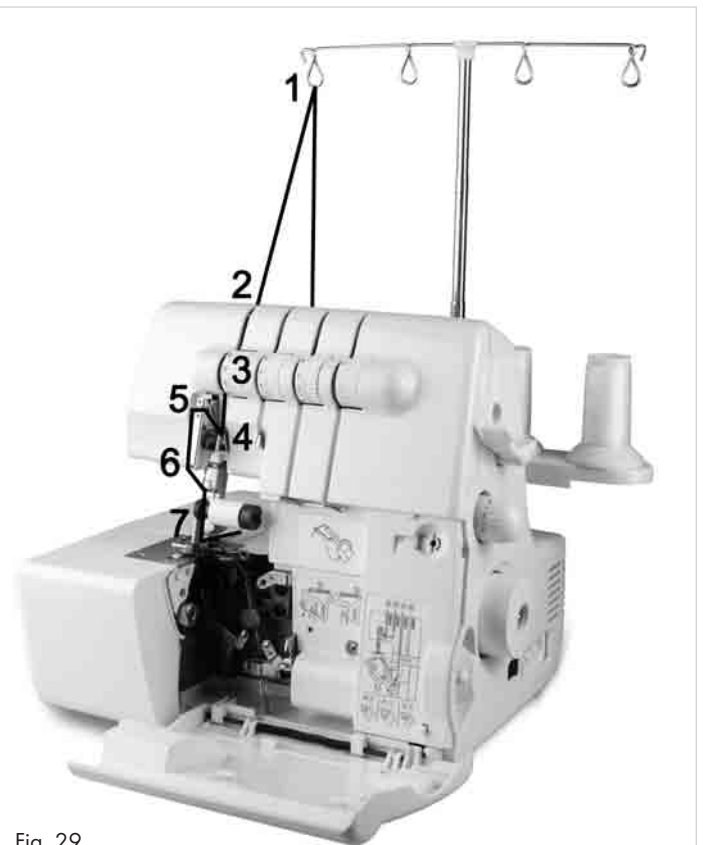


Fig. 29

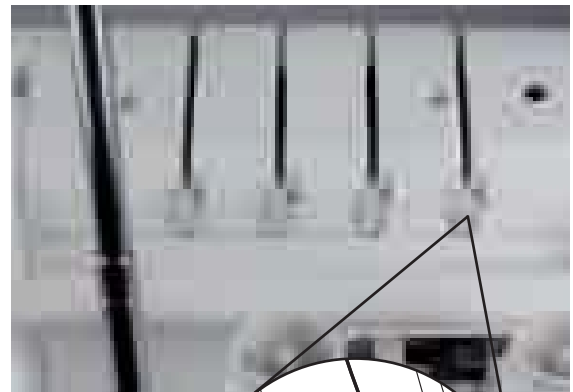


Fig. 30

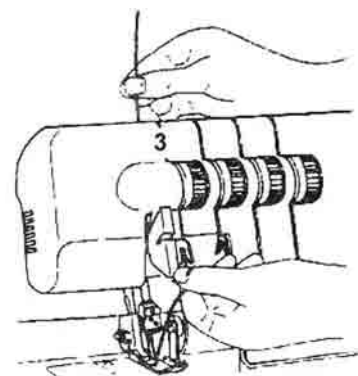
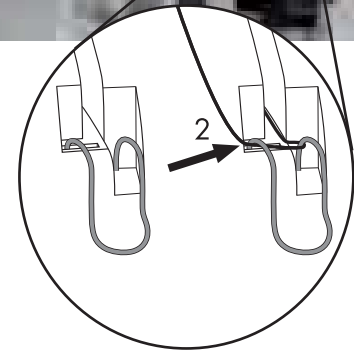


Fig. 31

4. Thread the yarn as per the blue markings (4 - 6) (Fig. 32/33).

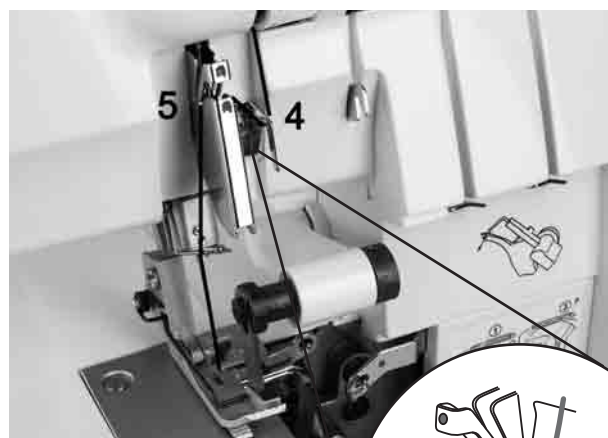


Fig. 32

5. Thread the yarn through the left needle (7) (Fig. 33).

6. Lay the yarn to the rear under the sewing foot ②.

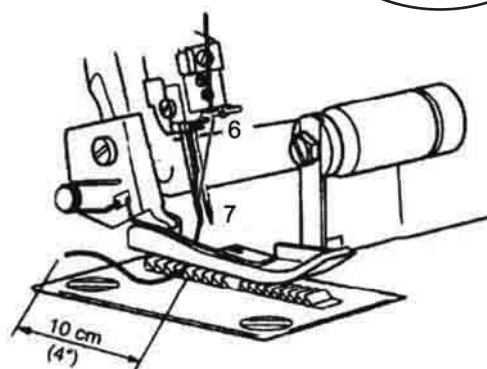


Fig. 33

Trial run

When yarn has been threaded for the first time, or after a yarn breakage it must be rethreaded, proceed as follows:

Lift the sewing foot ②.

Hold the ends of the threads between the fingertips of your left hand, slowly turn the handwheel ⑥ two or three times towards yourself and then check the threads once again.

Lay the material for a trial run under the sewing foot ② and slowly start to sew.

The material will be automatically fed through.

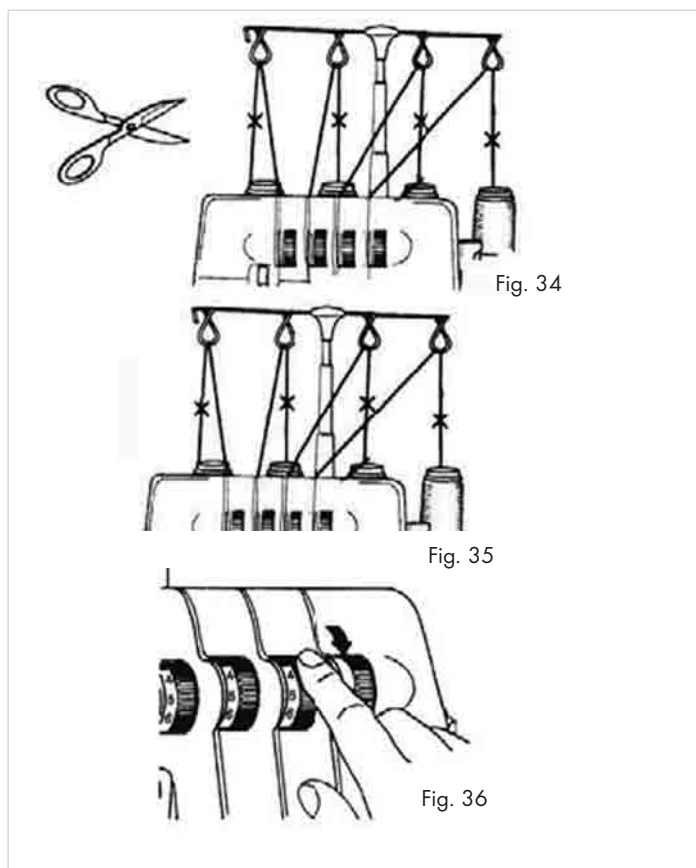
When the task is complete, continue sewing until an approximately 5cm (2") long length of threads has formed at the end of the material.

Cut through the threads with scissors.

Changing threads (binding together)

Changing threads is quite simple with the following procedure:

1. Cut the yarn above the spool support ❷ (Fig. 34) and place the new roll of thread on the spool support ❷.



2. Tie the ends of the new and the old thread together (Fig. 35).

3. Place the thread tension selector ❶/❷/❸/❹ at "0" (Fig. 36) and lift the sewing foot ❶.

4. Pull on the other end of the yarn until the knot passes under the sewing foot ❶.

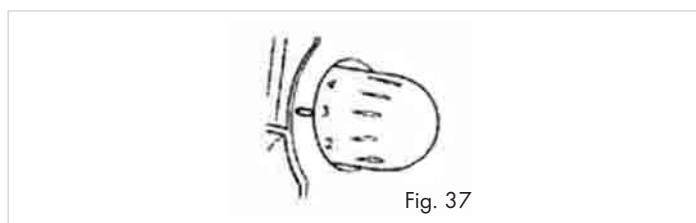
5. For threading it in the needle, pull on the other end until the knot is in the eye of the needle and then cut the yarn to the left and right of the knot. Then carry out the rethreading.

Set the stitch length

The stitch length can be adjusted from 1.0 to 4.0 mm. Almost all overlock work is carried out with a stitch length of 2.5 – 3.5 mm.

Turn on the adjustment wheel for stitch length ❶ (Fig. 37) to adjust the stitch length:

- A stitch length of 3 mm is recommended for most sewing.
- For the working of heavy fabrics, a stitch length of 4 mm is to be recommended.
- For the working of light fabrics, a stitch length of 2 mm is to be recommended..



With these settings you will produce respectable seams and the fabric will not be crimped.

Setting the seam width

The width of seams can be determined both by changing the needle position and via the seam width adjustment knob ❶.

... by using the right or left needle

The width of the seam can be determined by using the left or the right needle.

- Only the left needle is used: 5.7 mm
- Only the right needle is used: 3.5 mm

... by turning the seam width adjustment knob

By using the seam width adjustment knob 24, seam width can be adjusted within the ranges indicated below.

- Only the left needle is used: 5.2 - 6.7 mm
- Only the right needle is used: 3.0 - 4.5 mm

Setting the seam width adjustment knob

⚠ Attention!

Before making adjustments with the seam width adjustment knob 24 always place the mains switch 8 at the position "O" (Off). This prevents an accidental start of the appliance and thus the risk of injury!

- Open the front flap 10, this can make the adjustment easier to carry out.
- Turn the seam width adjustment knob 24 to the desired seam width (Fig. 38). Orientate yourself on the scale on the stitch plate 13 (Fig. 39).

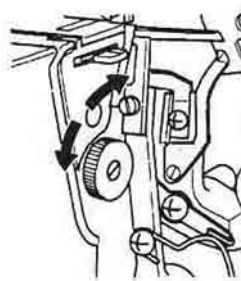


Fig. 38

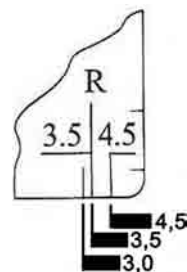


Fig. 39

Adjust sewing foot pressure

Upon delivery, the sewing foot pressure is set for medium-weight materials. If you wish to use heavier or lighter materials, adjust the sewing foot pressure as follows:

- For lighter fabrics, you need to reduce the pressure.
- For heavier fabrics, you need to increase the pressure.

Insert the small screwdriver into the hole on the upper side of the machine (Fig. 40). The pressure adjustment screw is located here (A). Ensure that the screwdriver slips into the slot of the pressure adjustment screw (B) (Fig. 41).

- Turn the screwdriver in the direction "+" if you want to increase the pressure.
- Turn the screwdriver in the direction "-" if you want to reduce the pressure.

ⓘ Note:

To return to the factory-set default sewing foot pressure, turn the pressure adjustment screw as far as it will go anti-clockwise (-). Then turn it 6 rotations in a clockwise (+) direction.

The standard sewing foot pressure is reset.

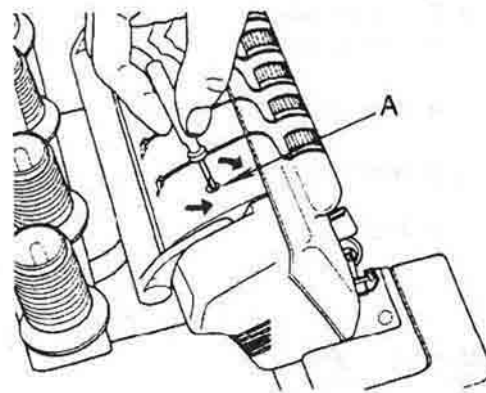


Fig. 40

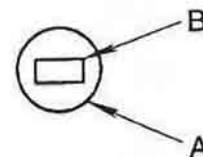


Fig. 41

Differential transport

Manner of operation

The machine has two sets of toothed rack feeders, one to the front and one to the rear. Both sets move independent of each other. Through the differential feed motion both toothed rack sets can move themselves at various speeds.

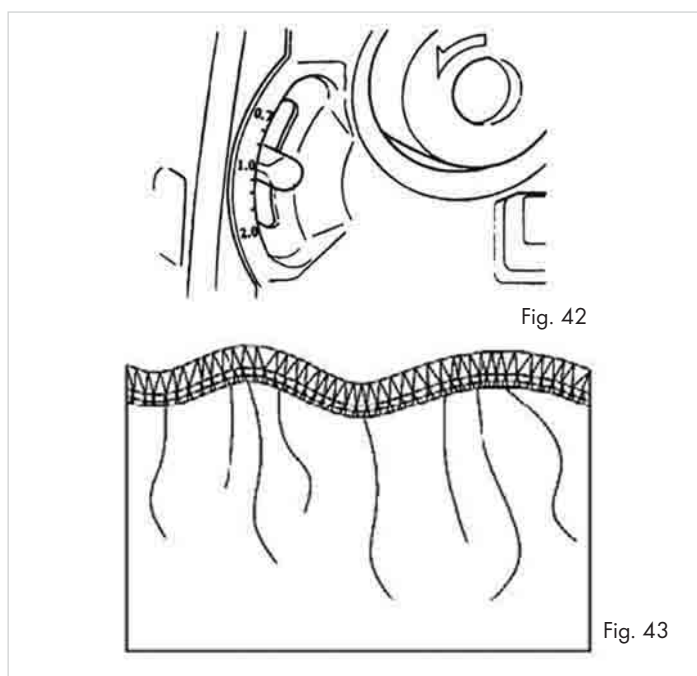
With this, the fabric is stretched or gathered, depending on which transport differential has been set between the front and rear rack feeders.

With the aid of the differential transport, interesting effects can be achieved when sewing overlock seams on stretch materials and diagonally cut fabrics (Fig. 43).

i Note:

When the differential transport lever **9** stands at "1.0", that corresponds to a differential transport ratio of 1:1. Both toothed feed racks move at the same rate (Fig. 42).

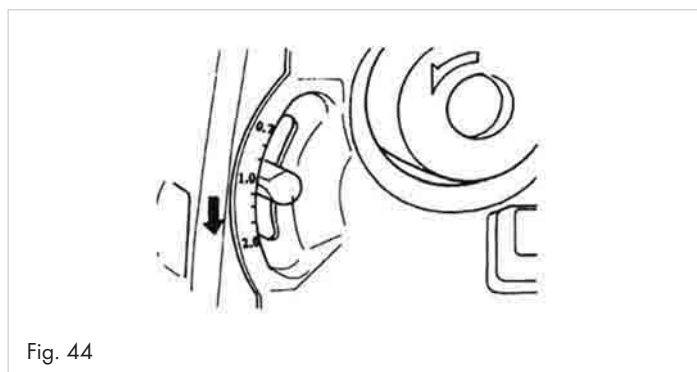
The differential transport lever **9** can be adjusted in a range from 1:0.7 to 1:2.0.



Gathered overlock seam - Settings

The gathered overlock seam is suitable for the ruffling of sleeves, back upper parts, skirt seams etc. made of elastic materials such as knitwear and jersey. The individual parts should be brought together before sewing.

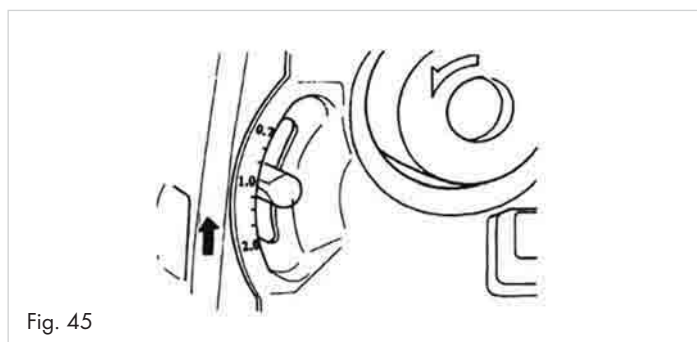
- Adjust the differential transport lever **9** to a value higher than 1.0 (Fig. 44). The exact setting depends on the material to be processed and the desired level of ruffling or gathering. Therefore always do a sample stitching to test the settings.



Stretched overlock seam - Settings

The stretched overlock seam is suitable for the manufacture of ruffles at the collar, cuffs and skirt edges etc. in soft, stretchy fabric and knitwear.

- Adjust the differential transport lever **9** to a value lower than 1.0 (Fig. 45). The exact setting depends on the material to be processed, and on the strength of the desired "ruffle effect". Therefore always do a sample stitching to test the settings.
- Hold the seam down with slight firmness before and behind the sewing foot **21** so as to keep the textile under tension.



i Note:

If you have set a value of "3" or higher on the adjustment wheel for the stitch length **5**, this setting will automatically return to "3" when you set the differential transport lever **9** to 2.0.

Free arm sewing

To work tubular-shaped fabrics, such as sleeves or trouser legs, you can remove the free arm cover.

- If appropriate, remove the waste container from the machine.
- Slide the free arm cover to the left and pull it off (Fig. 46)..

- You can now pull the textiles over the free arm ⑫ and work them (Fig. 47).

- To replace the free arm cover, push it onto the free arm ⑫ until it clicks into place and is firmly seated (Fig. 48).

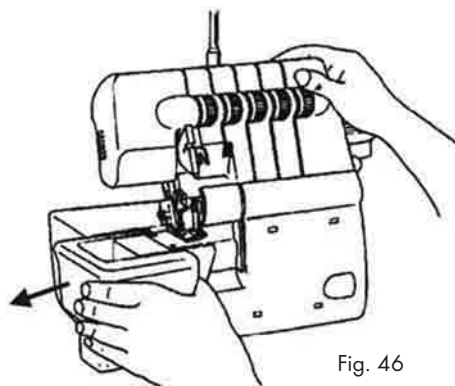


Fig. 46

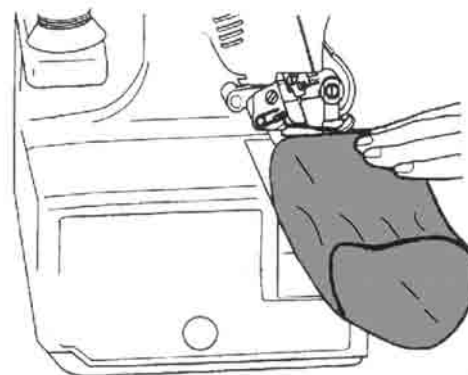


Fig. 47

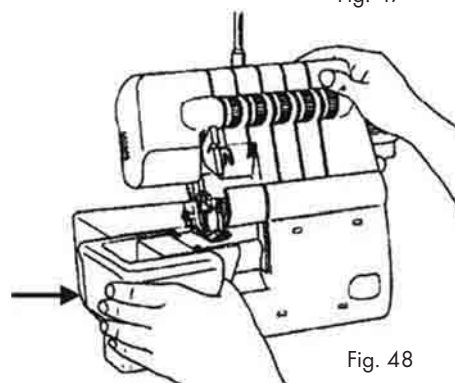


Fig. 48

Overlock seams

- Open the front flap ⑩.
- Slide the seam width switch ⑬ to "S", so that the seam width finger is pushed forward (1) (Fig. 49).

ⓘ **Note:**

The seam width switch ⑬ must be pushed until it can go no further. Otherwise, the seams will be untidy.

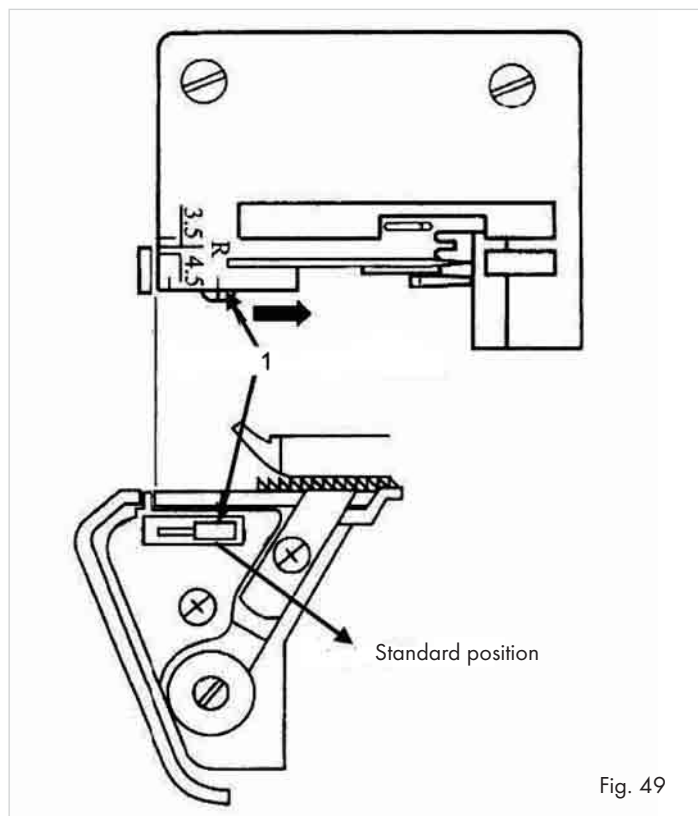


Fig. 49

Roll hemmings

- Open the front flap ⑩.
- Slide the seam width switch ⑬ to "R", so that the seam width finger is pushed backward (1) (Fig. 50).

ⓘ **Note:**

The seam width switch ⑬ must be pushed until it can go no further, otherwise the seams will be untidy.

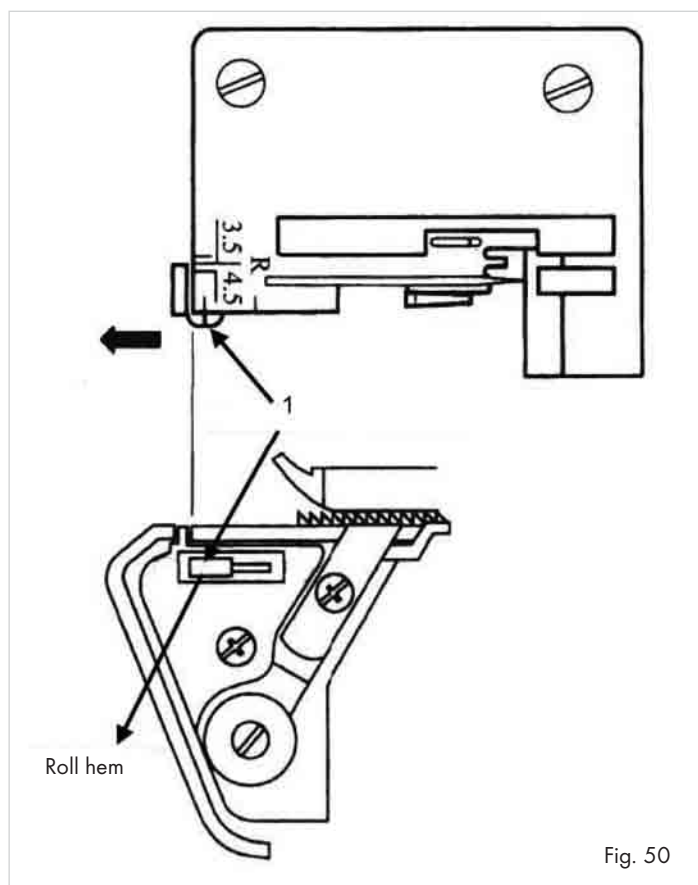


Fig. 50

Binding-off and sample sewing

- Lay all yarns under the sewing foot ②, to the rear, slightly to the left and over the stitch plate ⑬.
- Firmly hold the yarns under a slight tension.
- Turn the handwheel ⑥ 2 to 3 revolutions onto itself to begin empty chainstitch formation.
- Lower the sewing foot ② with the sewing foot lever ④.
- Hold the empty chainstitch again firmly and carefully activate the foot pedal until the empty chainstitch is approximately 5 - 7.5 cm long.
- Place the fabric from the front under the sewing foot ② and sew a test seam (Fig. 51). Under no circumstances should you pull on the textile, otherwise the needle will be bent or could even break off.
- Continue sewing even after the textile is finished for about 15 to 20 cm.
- Cut the empty chainstitch by using the blade at the rear of the machine (Fig. 52).

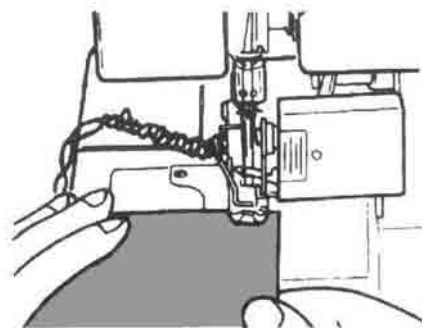


Fig. 51

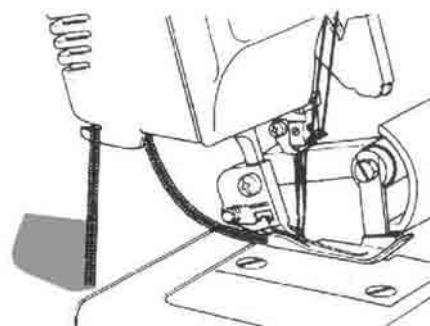


Fig. 52

Recommended tension settings

i Note:

All information about tension settings for the different kinds of stitches are purely guiding values. The thread tension itself is always dependant on the type and thickness of the fabric, as well as needle strength and the strength, type and material composition of the yarn.

It is therefore absolutely necessary to sew a test seam. It is the only way you can find out if the tension settings are correct, or if they need to be changed.

2-thread overcast chain stitch (overlock)

Figure 53 shows you the stitch pattern for this stitch.

This stitch with a needle and 2 threads is used for tidying the edges of light or stretchy fabrics. By changing the needle position you can obtain a narrow or a wide overcast seam.

Adjust the thread tension selectors **14** **15** **16** **17** to the appropriate values (see table) then sew a test seam on the material being used.

For this type of stitch insert the upper looper element in the upper looper **19**.


Textiles	Tensioning the thread			
	blue	green	red	yellow
light material	2.0	-	Inserting the upper looper element	0
medium-weight material	2.5	-	Inserting the upper looper element	0
heavy material	3.5	-	Inserting the upper looper element	0.5

Textiles	Tensioning the thread			
	blue	green	red	yellow
light material	-	1.5	Inserting the upper looper element	0.5
medium-weight material	-	1.5	Inserting the upper looper element	0.5
heavy material	-	3.0	Inserting the upper looper element	1.5

Should the lower looper yarn appear to be too tight or the needle thread too loose (Fig. 54) :

- turn the thread tension selector for the lower looper thread **17** (yellow) to a lower number, or ...
- turn the thread tension selector for the needle (blue **14** or green **15**) to a higher number.

Should the lower looper yarn appear to be too loose (Fig. 55), turn the thread tension selector for the lower looper thread **17** (yellow) to a higher number.

Needle position	
Seam width switch	S
Stitch length	2 - 4
Upper looper element	insert

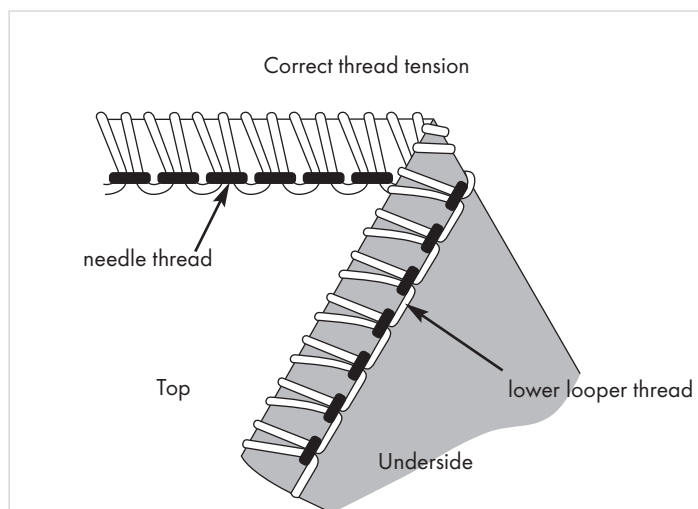


Fig. 53

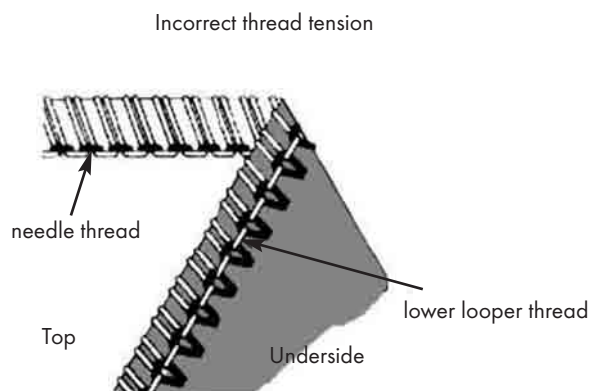


Fig. 54

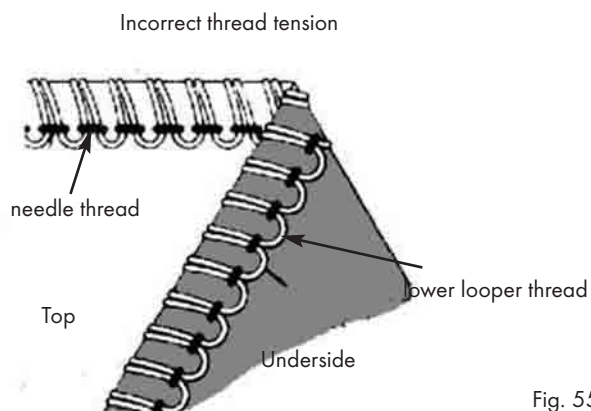


Fig. 55

2-thread-overcast-stitch


Figure 56 shows you the stitch pattern for this stitch.

This stitch with a needle and 2 threads is used for tidying normal fabrics with an overcast stitch. It is also ideal for flat stitch seams (fell or butt seams) and blind hemming.

By changing the needle position you can obtain a narrow or a wide overcast seam.

Adjust the thread tension selectors **14** **15** **16** **17** to the appropriate values (see table) then sew a test seam on the material being used.

For this type of stitch insert the upper looper element in the upper looper **19**.

Needle position	
Seam width switch	S
Stitch length	2 - 4
Upper looper element	insert

Textiles	Tensioning the thread			
	blue	green	red	yellow
light material	0.5	-	Inserting the upper looper element	1.0
medium-weight material	0.5	-	Inserting the upper looper element	1.5
heavy material	1.0	-	Inserting the upper looper element	1.5

Textiles	Tensioning the thread			
	blue	green	red	yellow
light material	-	1.0	Inserting the upper looper element	3.0
medium-weight material	-	1.5	Inserting the upper looper element	3.5
heavy material	-	1.5	Inserting the upper looper element	3.5

Should the lower looper yarn lie on the underside of the textile (Fig. 57):

- turn the thread tension selector for the lower looper thread **17** (yellow) to a higher number, or ...
- turn the thread tension selector for the needle (blue **14** or green **15**) to a lower number.

Should the needle yarn be too loose (Fig. 58):

- turn the thread tension selector for the needle (blue **14** or green **15**) to a higher number.
- turn the thread tension selector for the lower looper thread **17** (yellow) to a lower number.

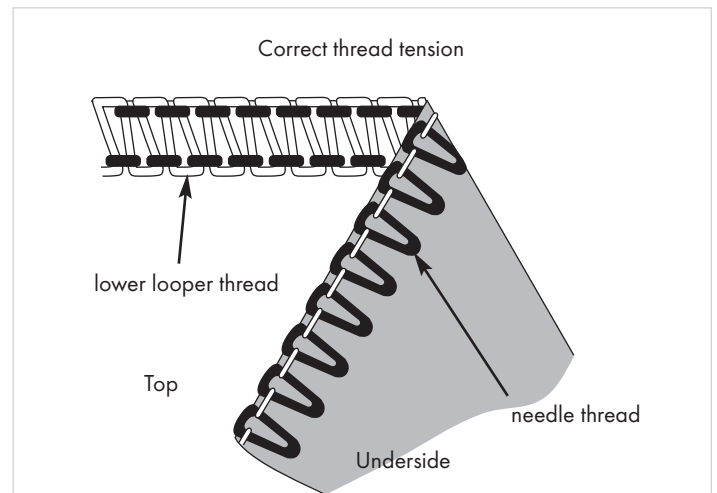


Fig. 56

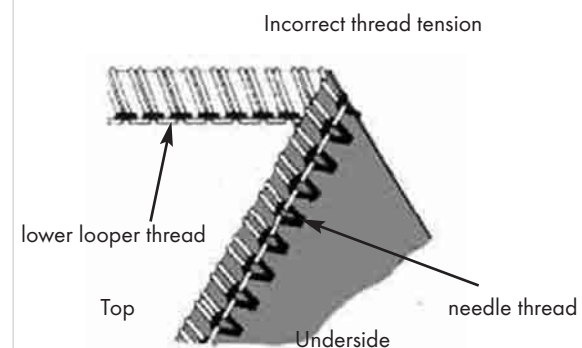


Fig. 57

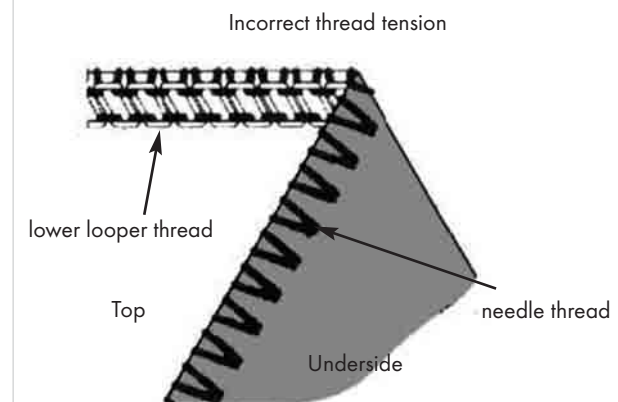


Fig. 58

3-thread chain stitch (overlock)

Figure 59 shows you the stitch pattern for this stitch.

This stitch with a needle and 3 threads is used for tidying of normal fabrics with an overcast stitch.

By changing the needle position you can obtain a narrow or a wide overcast seam.

Adjust the thread tension selectors **14** **15** **16** **17** to the appropriate values (see table) then sew a test seam on the material being used.

Textiles	Tensioning the thread			
	blue	green	red	yellow
light material	2.0	-	2.0	1.0
medium-weight material	3.0	-	2.0	1.5
heavy material	3.0	-	3.0	1.5

Textiles	Tensioning the thread			
	blue	green	red	yellow
light material	-	2.0	7.0	2.0
medium-weight material	-	2.5	6.5	2.5
heavy material	-	3.5	6.5	2.5

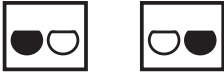
Should the upper looper yarn lie on the underside of the textile (Fig. 60):

- turn the thread tension selector **16** for the upper looper thread (red) to a higher number, or ...
- turn the thread tension selector for the lower looper thread **17** (yellow) to a lower number.

Should the lower looper yarn lie on the upperside of the textile (Fig. 61):

- turn the thread tension selector for the lower looper thread **17** (yellow) to a higher number, or ...
- turn the thread tension selector **16** for the upper looper thread (red) to a lower number.

Should the needle thread appear to be too loose (Fig. 62), turn the thread tension selector for the needle thread (blue **14** or green **15**) to a higher number.

Needle position	
Seam width switch	S
Stitch length	2 - 4
Upper looper element	not necessary

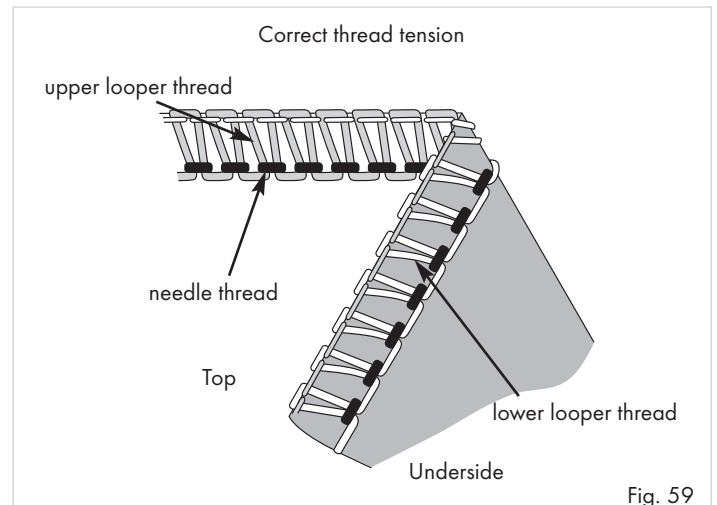


Fig. 59

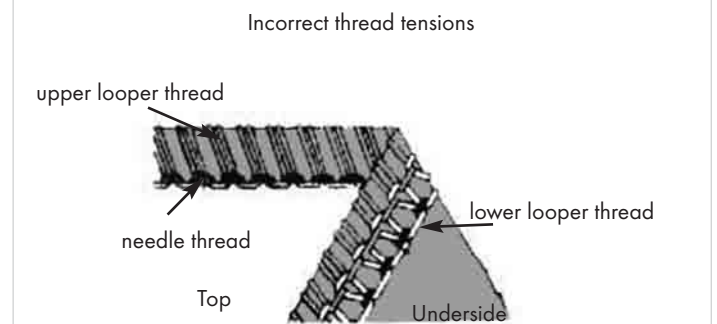


Fig. 60

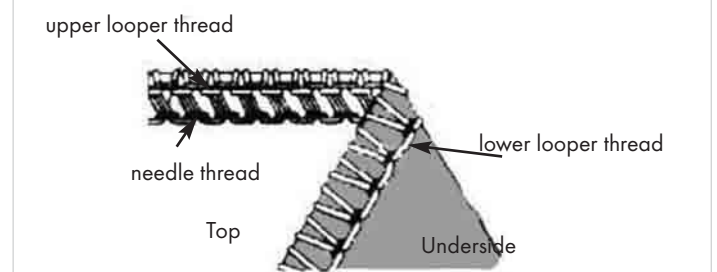


Fig. 61

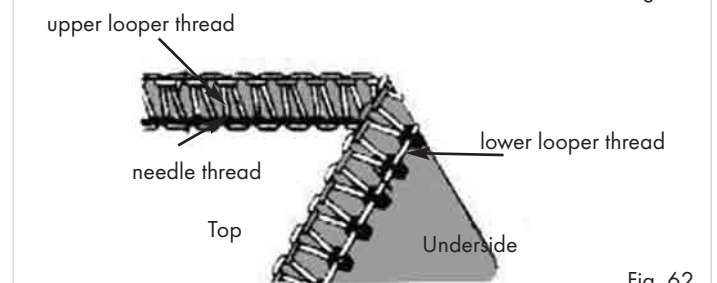


Fig. 62

3-thread - flatlock seam

Figure 63 shows you the stitch pattern for this stitch.

This stitch with a needle and 3 threads is used for fell or butt seams and for ornamental stitches with decorative thread. By changing the needle position you can obtain a narrow or a wide flatlock seam (flatlock).

Adjust the thread tension selectors **14** **15** **16** **17** to the appropriate values (see table) then sew a test seam on the material being used.

Textiles	Tensioning the thread			
	blue	green	red	yellow
light material	0.5	-	2.5	2.5
medium-weight material	0.5	-	2.0	2.0
heavy material	1.0	-	3.0	3.0

Textiles	Tensioning the thread			
	blue	green	red	yellow
light material	-	0	7.0	4.0
medium-weight material	-	0.5	7.0	4.0
heavy material	-	1.0	7.0	4.0

Should the lower looper yarn be too loose (Fig. 64):


- turn the thread tension selector for the lower looper thread **17** (yellow) to a higher number, or ...
- turn the thread tension selector for the needle (blue **14** or green **15**) to a lower number.

Should the upper looper yarn be too loose (Fig. 65):

- turn the thread tension selector for the upper looper thread **16** (red) to a higher number, or ...
- turn the thread tension selector for the needle (blue **14** or green **15**) to a lower number.

Should the needle yarn be too loose (Fig. 66):

- turn the thread tension selector for the needle (blue **14** or green **15**) to a higher number.
- turn the thread tension selector for the upper looper thread **16** (red) to a lower number.

Needle position	
Seam width switch	S
Stitch length	2 - 4
Upper looper element	not necessary

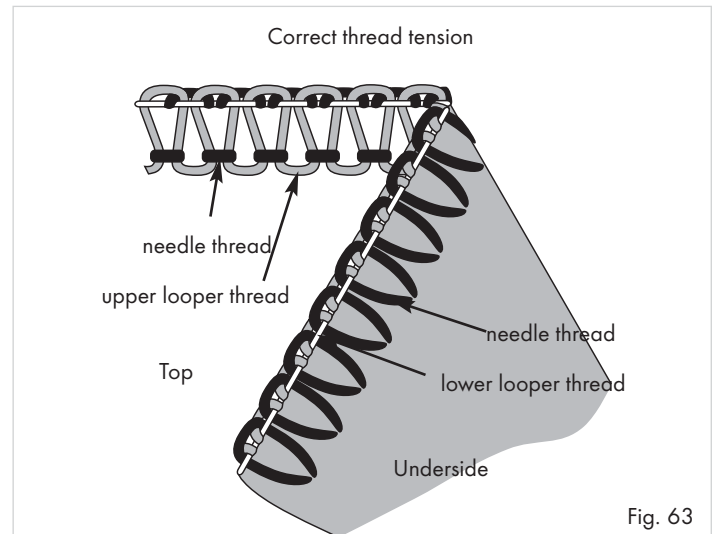


Fig. 63

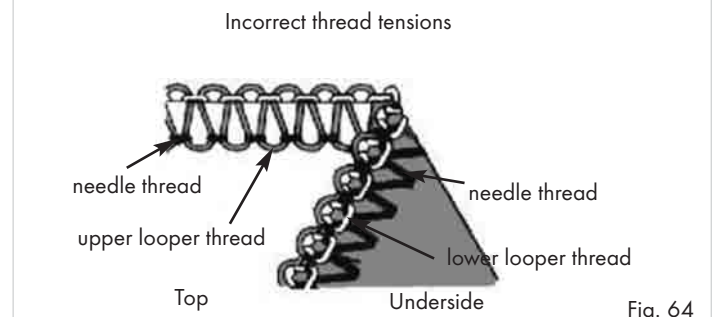


Fig. 64

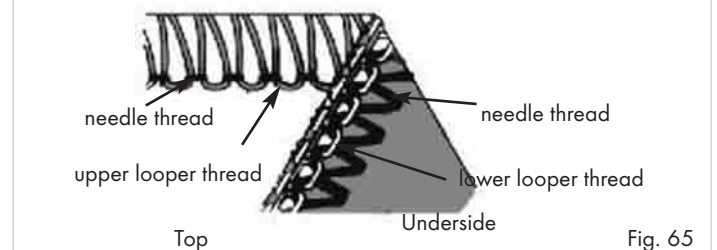


Fig. 65

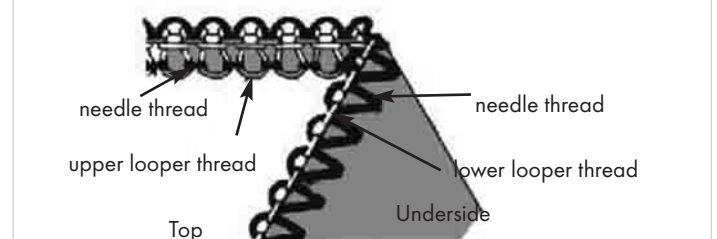


Fig. 66

3-thread overcast chain stitch (overlock)

Figure 67 shows you the stitch pattern for this stitch.

This stitch with a needle and 3 threads is used for sewing, for example, decorative edges.

By changing the needle position you can obtain a narrow or a wide overcast chain seam.

Adjust the thread tension selectors **14** **15** **16** **17** to the appropriate values (see table) then sew a test seam on the material being used.

Textiles	Tensioning the thread			
	blue	green	red	yellow
light material	2.0	-	0	4.0
medium-weight material	3.0	-	0.5	6.5
heavy material	4.0	-	0.5	7.5

Textiles	Tensioning the thread			
	blue	green	red	yellow
light material	-	1.5	0	5.0
medium-weight material	-	2.5	1.0	7.0
heavy material	-	3.0	1.5	8.0

Should the upper looper yarn be too loose (Fig. 68):


- turn the thread tension selector for the upper looper thread **16** (red) to a higher number.

Should the lower looper yarn be too loose (Fig. 69):

- turn the thread tension selector for the lower looper thread **17** (yellow) to a higher number, or ...
- turn the thread tension selector for the upper looper thread **16** (red) to a lower number.

Should the needle yarn be too loose (Fig. 70):

- turn the thread tension selector for the needle (blue **14** or green **15**) to a higher number.
- turn the thread tension selector for the upper looper thread **16** (red) to a lower number.

Needle position	
Seam width switch	S
Stitch length	2 - 4
Upper looper element	not necessary

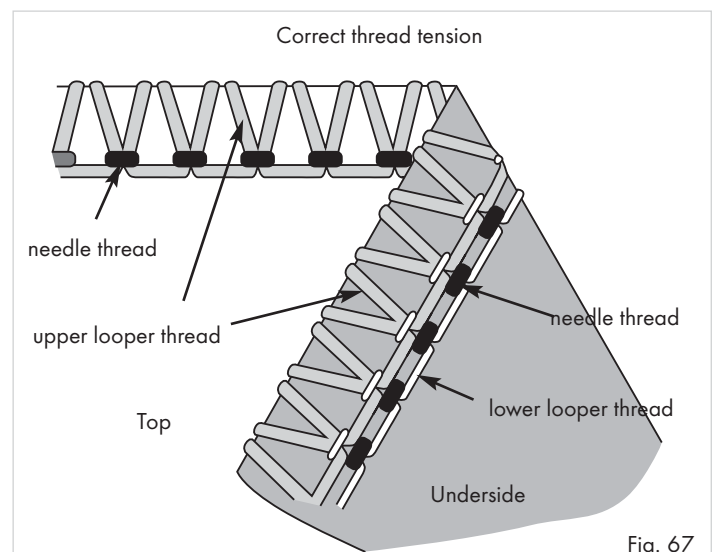


Fig. 67

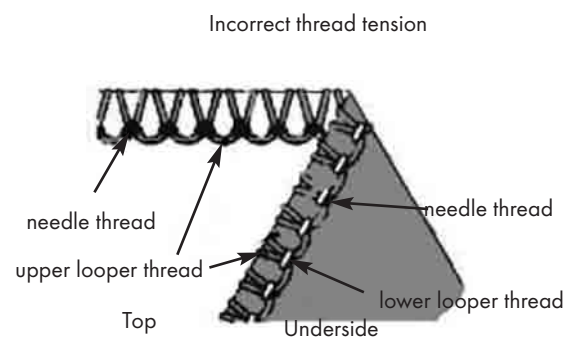


Fig. 68

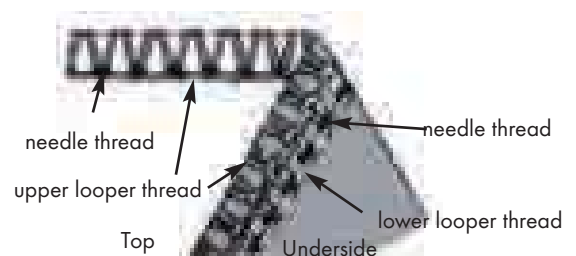


Fig. 69

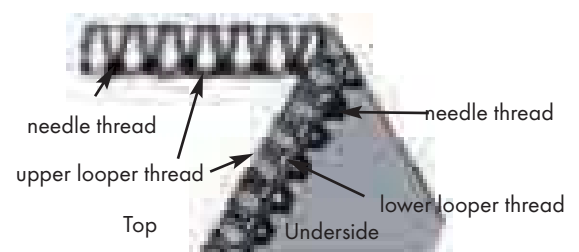


Fig. 70


3-thread safety stitch, highly elastic, imitated

Figure 71 shows you the stitch pattern for this stitch.

This stitch with 2 needles and 3 threads is ideal for lightweight, extremely stretchy fabrics such as jersey and spandex.

Adjust the thread tension selectors 14 15 16 17 to the appropriate values (see table) then sew a test seam on the material being used.

For this type of stitch insert the upper looper element in the upper looper 19.

Needle position	
Seam width switch	S
Stitch length	2 - 4
Upper looper element	insert

Textiles	Tensioning the thread			
	blue	green	red	yellow
light material	2.0	1.5	Inserting the upper looper element	0
medium-weight material	3.0	2.0	Inserting the upper looper element	0.5
heavy material	4.0	3.0	Inserting the upper looper element	1.0

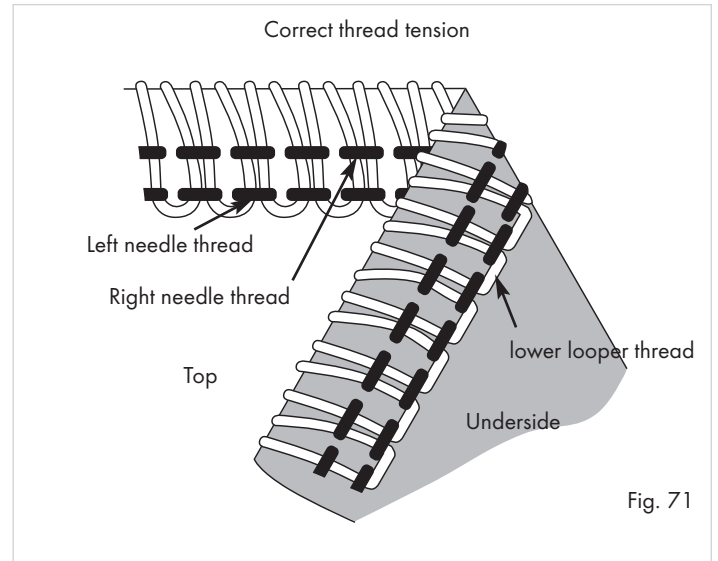


Fig. 71

If the lower looper thread is too loose (Fig. 72):

- turn the thread tension selector for the lower looper thread 17 (yellow) to a higher number.

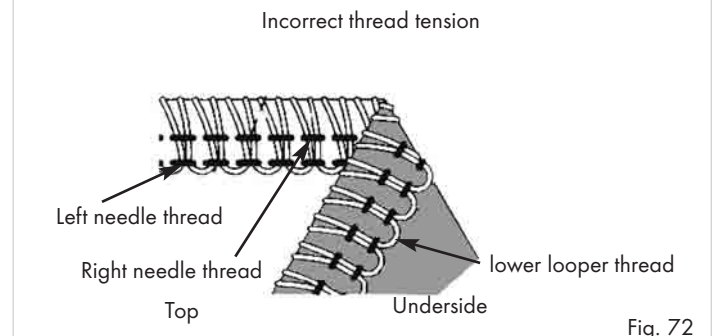


Fig. 72

Should the left needle yarn be too loose (Fig. 73):

- turn the thread tension selector for the left needle 14 (blue) to a higher number.

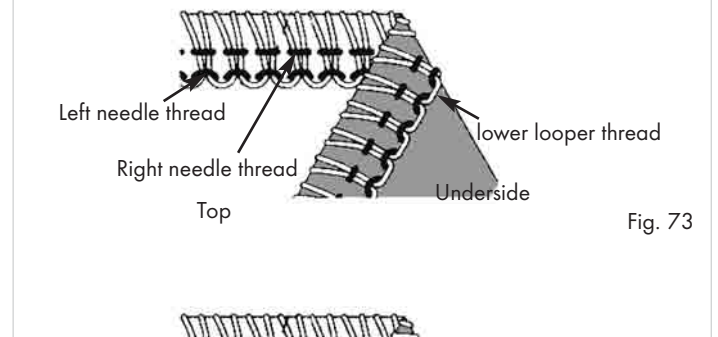


Fig. 73

Should the right needle yarn be too loose (Fig. 74):

- turn the thread tension selector for the right needle 15 (green) to a higher number.

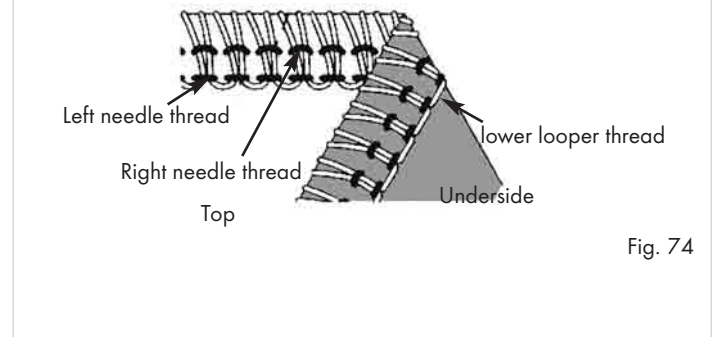


Fig. 74


4-thread safety stitch, highly elastic, imitated

Figure 75 shows you the stitch pattern for this stitch.

This stitch with 2 needles and 4 threads is ideal for medium to heavy, stretchy fabrics such as double-knitted materials and swimwear. It is suitable for combining two materials and neatening the edges at the same time.

Adjust the thread tension selectors **14** **15** **16** **17** to the appropriate values (see table) then sew a test seam on the material being used.

Textiles	Tensioning the thread			
	blue	green	red	yellow
light material	2.5	2.0	2.5	2.0
medium-weight material	3.0	2.0	3.0	2.0
heavy material	4.0	2.5	4.0	2.5

Needle position	
Seam width switch	S
Stitch length	2 - 4
Upper looper element	not necessary

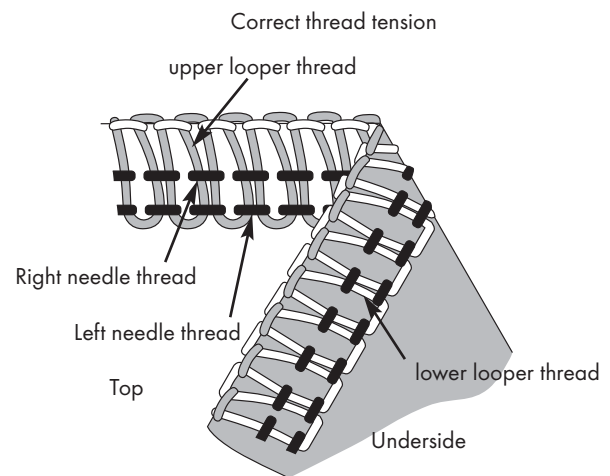


Fig. 75

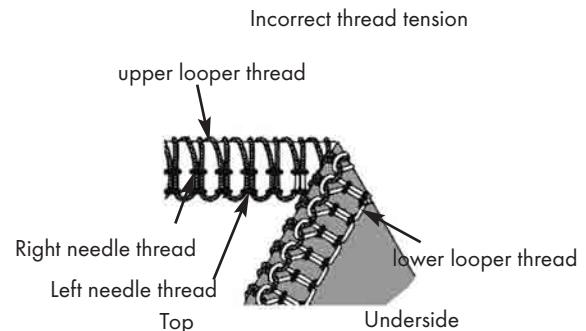


Fig. 76

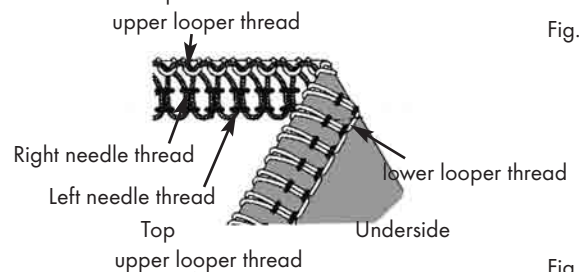


Fig. 77

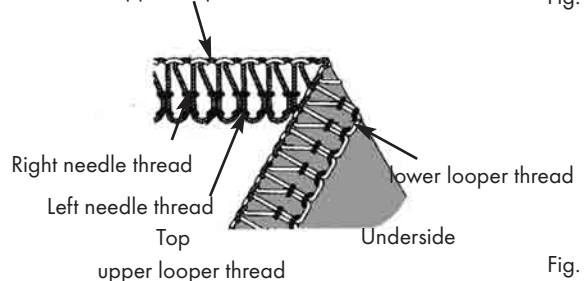


Fig. 78

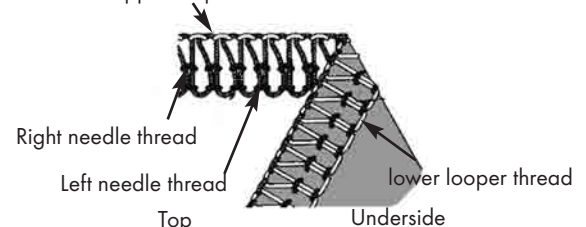


Fig. 79

Should the upper looper yarn lie on the underside of the textile (Fig. 76):

- turn the thread tension selector for the upper looper thread **16** (red) to a higher number, or ...
- turn the thread tension selector for the lower looper thread **17** (yellow) to a lower number.

Should the lower looper yarn lie on the upperside of the textile (Fig. 77):

- turn the thread tension selector for the lower looper thread **17** (yellow) to a higher number, or ...
- turn the thread tension selector for the upper looper thread **16** (red) to a lower number.

Should the left needle yarn be too loose (Fig. 78):

- turn the thread tension selector for the left needle **14** (blue) to a higher number.

Should the right needle yarn be too loose (Fig. 79):

- turn the thread tension selector for the right needle **15** (green) to a higher number.

Roll hemmings

With this machine you can sew four different roll hemming types. When sewing roll hemmings, the fabric edge is folded over and provided with an overlock seam. Lightweight fabrics such as batiste, chiffon, organza and so on are best for these kinds of seams. Heavy fabrics or stiff materials are not suitable for roll hemmings.

- Remove the left needle.
- Set the seam width switch ② at "R" (Fig. 80).
- Align the support plate of the seam width finger on the marking "R" on the stitch plate by turning out the seam width adjustment knob ④ (Fig. 81).
- Place the dial for the stitch length ⑤ at "F - 2" (Fig. 82). With this a fine seam is sewn.
- For roll hemmings use a needle with specification Nr. 14.

i Tips:

- For a rolled hem many different combinations of yarn can be used. To create a particularly beautiful rolled hem (3-thread rolled hem), use a bushy yarn (bushy polyamid thread/woolly nylon) as the upper looper yarn and normal yarn for the needle and lower looper. For a 2-thread rolled hem use bushy yarn for the lower looper thread and normal yarn for the needle thread.
- At the start of sewing hold the empty thread chain firmly so that they cannot roll into the seam.
- Subject the material to slight tension in the sewing direction. This will make the seam more delicate.
- Before cutting the thread chain close to the textile, apply a small drop of fabric glue to the seam and allow it to dry. Check for colourfastness on the textile prior to this.

3-thread rolled hem

Figure 83 shows you the stitch pattern for this stitch.

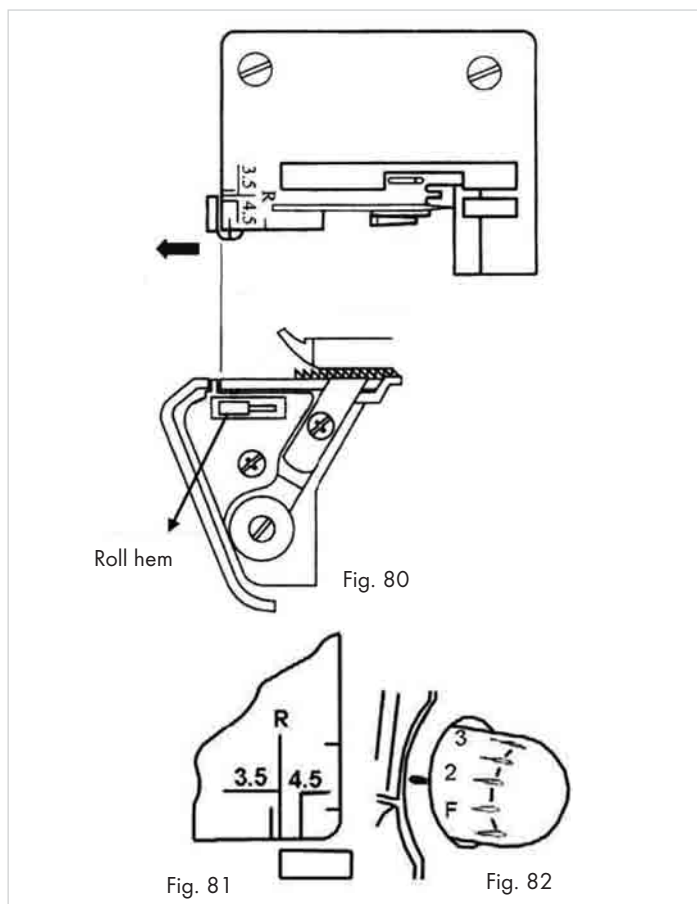
Upper looper thread	Tensioning the thread			
	blue	green	red	yellow
Polyester	-	2.0	7.5	3.0
Bushy yarn	-	2.0	2.0	2.0

Adjust the thread tension selectors ⑮ ⑯ ⑰ to the appropriate values (see table) then sew a test seam on the material being used.

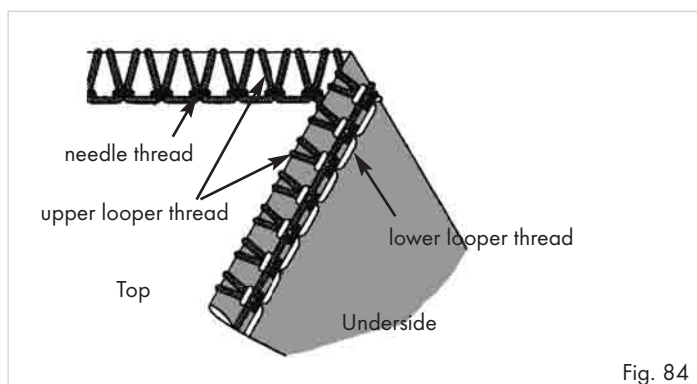
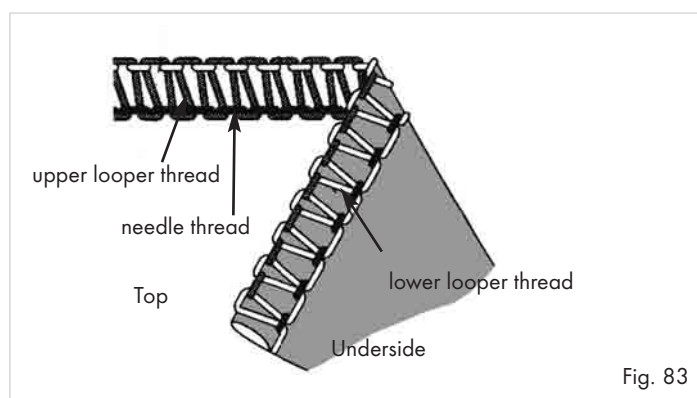
3-thread upper looper overcast rolled hem

Figure 84 shows you the stitch pattern for this stitch. Adjust the thread tension selectors ⑮ ⑯ ⑰ to the appropriate values (see table) then sew a test seam on the material being used.

Upper looper thread	Tensioning the thread			
	blue	green	red	yellow
Polyester	-	2.0	5.5	7.0
Bushy yarn	-	2.0	0	2.5



Needle position	
Seam width switch	R
Stitch length	F - 2
Upper looper element	not necessary




2-thread rolled hem

Figure 85 shows you the stitch pattern for this stitch.

Adjust the thread tension selectors **15** **17** to the appropriate values (see table) then sew a test seam on the material being used.

For this type of stitch insert the upper looper element in the upper looper **19**.

Lower looper thread	Tensioning the thread			
	blue	green	red	yellow
Bushy yarn	-	1.5	Inserting the upper looper element	1.5

Needle position	
Seam width switch	R
Stitch length	F - 2
Upper looper element	insert

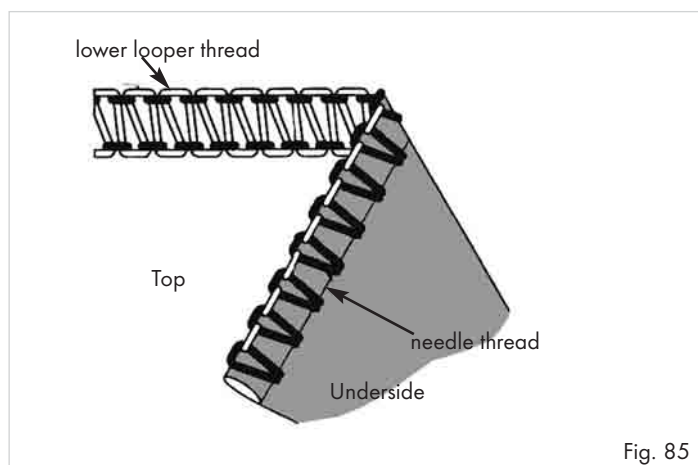


Fig. 85


2-thread lower looper overcast rolled hem

Figure 86 shows you the stitch pattern for this stitch..

Adjust the thread tension selectors **15** **17** to the appropriate values (see table) then sew a test seam on the material being used.

For this type of stitch insert the upper looper element in the upper looper **19**.

Lower looper thread	Tensioning the thread			
	blue	green	red	yellow
Polyester	-	2.0	Inserting the upper looper element	2.0
Bushy yarn	-	1.5	Inserting the upper looper element	1.5

Needle position	
Seam width switch	R
Stitch length	F - 2
Upper looper element	insert

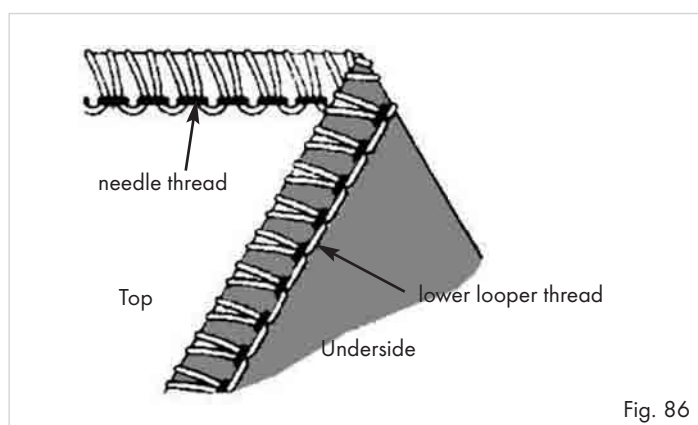


Fig. 86

Flatlock decorative seams

To produce flatlock seams, set up the thread tensions for a 3-thread overlock stitch. Sew a seam and then pull the fabric apart to smooth the seam.

The flatlock seam can be used as a decorative assembly seam or as pure ornamental stitching (Fig. 87, dark thread).

i Tips:

- Pay attention to proper tension, so that the workpiece can be pulled well apart after sewing.
- Use a decorative thread as the upper looper thread, since this is the most important thread and will be clearly visible.

1. Remove the right or the left needle (Fig. 88).

2. Set up the recommended tension settings for a 3-thread overlock seam (Fig. 89).
3. Then readjust the upper thread tensions (green or blue) so that they are much looser.
4. Now also release the thread tension of the upper looper (red) somewhat.
5. Then adjust the thread tension of the lower looper (yellow) considerably tighter.

Flatlock seam as assembly seam

- Place the two fabrics to be sewn inside out to each other, so as to create a decorative seam on the front side.
- Sew the seam and while doing this cut away the excess fabric (Fig. 90).

Figure 91 shows you the stitch pattern for this stitch.

- The upper thread (needle thread) (green or blue) then has a V-shaped pattern on the inside of the fabric.
- The lower looper thread runs as a straight line along the fabric edge.
- Pull the fabric apart on both sides of the seam, so that the stitches lie flat.



Fig. 87

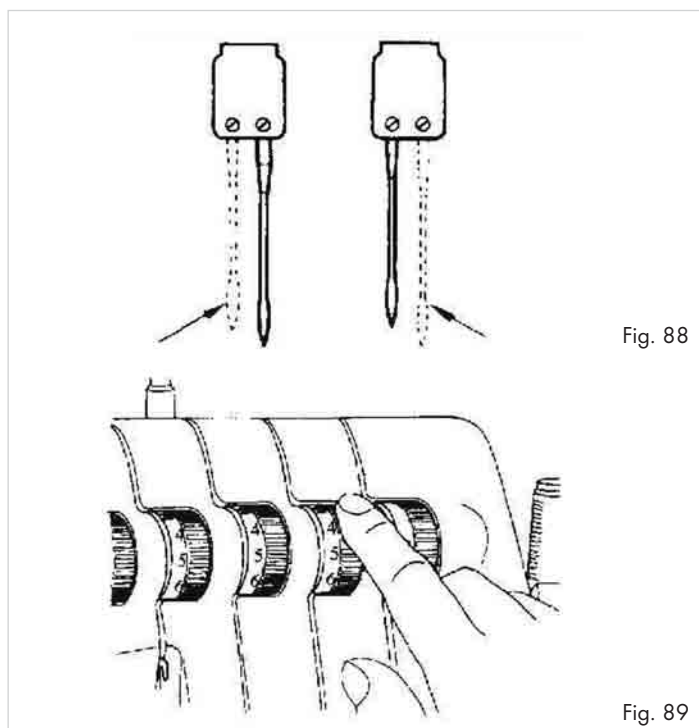


Fig. 88

Fig. 89

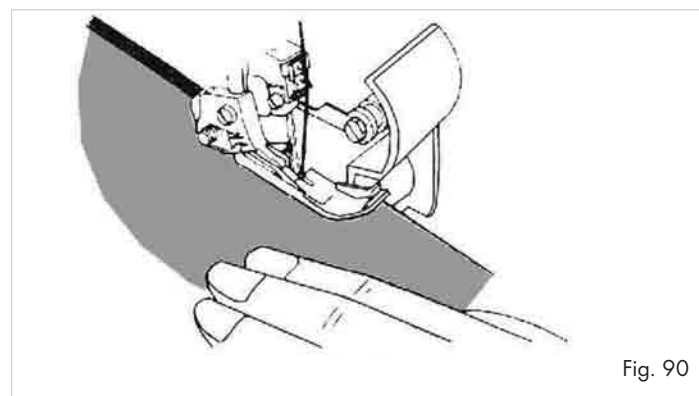


Fig. 90

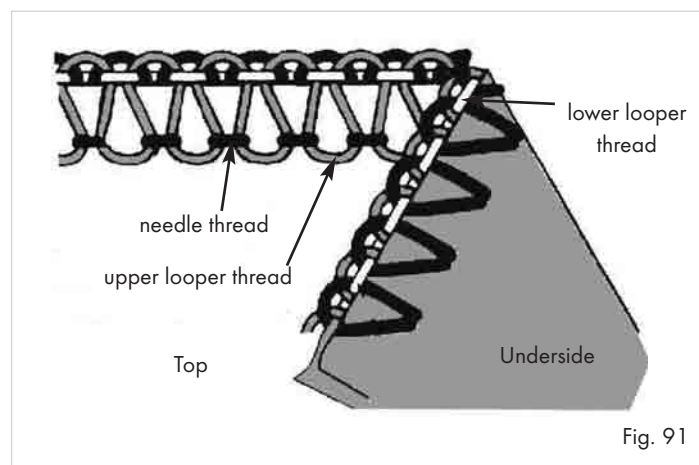


Fig. 91

Flatlock seam as decorative seam

- Adjust the movable upper blade **18** into a rest position (Fig. 92).
The textile is not trimmed in this type of seam.
- Fold the textile so that the two inside sides lie on each other.

- Place the textile so that a portion of the stitch is sewn outside of the textile (Fig. 93).
- Sew the seam.
- Then fold the textiles apart. The stitches will then lie flat.

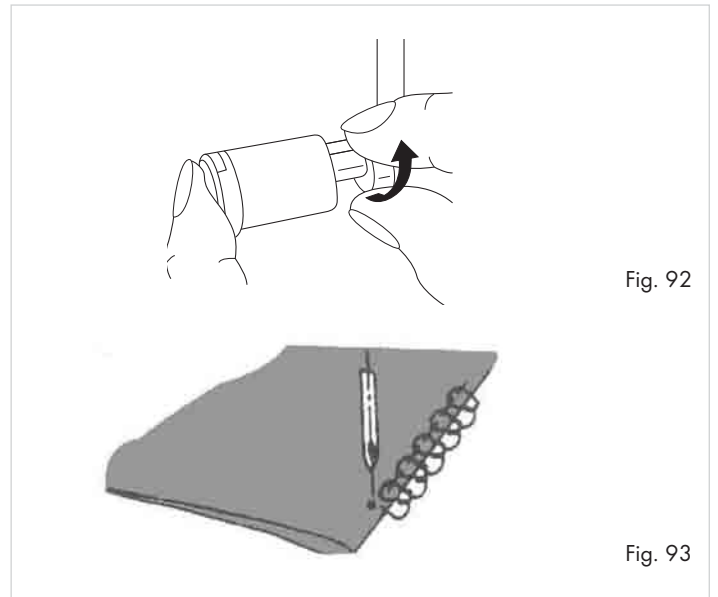


Fig. 92

Fig. 93

Overlock blind hems

The overlock blind hem is best suited for knitwear. It creates a durable edgetidying and is hardly noticeable (Fig. 94).

In one operation the protruding material is cut away, the hem is sewn and the edges are provided with an overlock seam.

1. Remove the left needle and set the machine up for a narrow 3-thread overlock seam.
2. Set the stitch length to 4 mm.
3. Fold the hem, first to the inside and then to the outside of the fabric, so that the fabric edge stands 6 mm above the first fold (Fig. 95).
4. Sew carefully on the fold. Thereby, the needle must pierce straight into the edge of the fold.

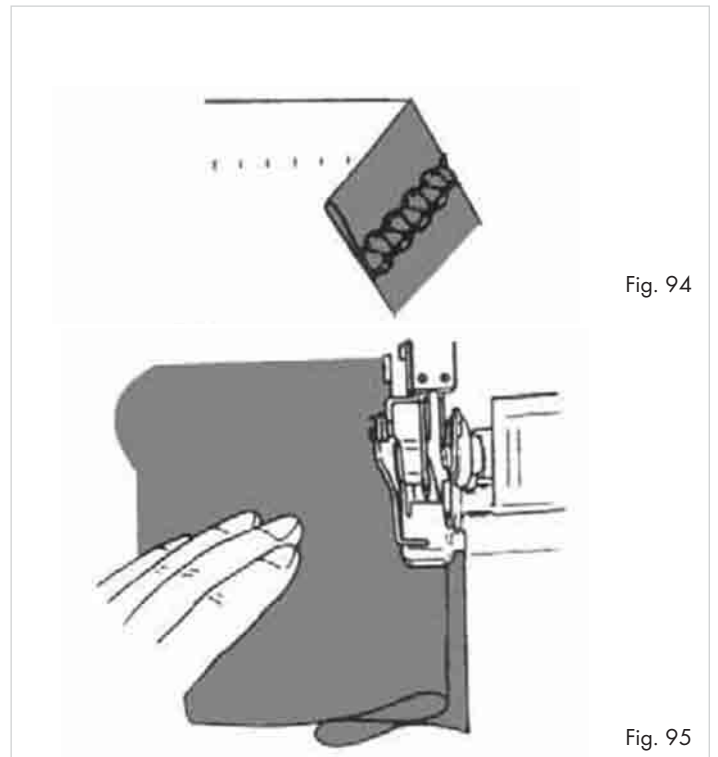


Fig. 94

Fig. 95

Pin tucks

To render your decorative garment as more creative, it can be provided with pin tucks before trimming (Fig. 96). Pin tucks are ornamental seams, as shown in the figure 96.

1. Remove the left needle and set the machine up for a narrow 3-thread overlock seam.
2. Adjust the upper blade **18** into the rest position.
3. To achieve a uniform result, mark the desired number of pin-tucks on the fabric with water-soluble fabric pen or fabric chalk.
4. Fold the fabric inside out and sew it.
5. When all of the tucks are sewn, iron them all in one direction so that they lie evenly flat.

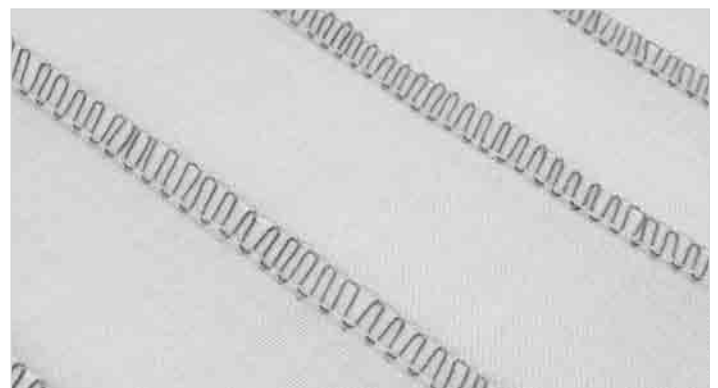


Fig. 96

Sewing corners

Outer corners

1. Cut away, before and after the corner, about 2 cm to the seam line (Fig. 97).
2. Sew a stitch further than to the marking "A" on the drawing and then stop (Fig. 97).
3. Lift the needle and sewing foot ④.
4. Pull the fabric to the rear, such that the yarn being held by the finger of the stitch plate ⑬ is released. (For better recognition, on the drawing opposite the sewing foot ④ is not shown - Figure 98).
5. Rotate the workpiece and lower the sewing foot ④ so that the upper blade ⑬ lies in a line with the cutting edge (Fig. 99).
6. Pull the loose threads up and continue to sew.

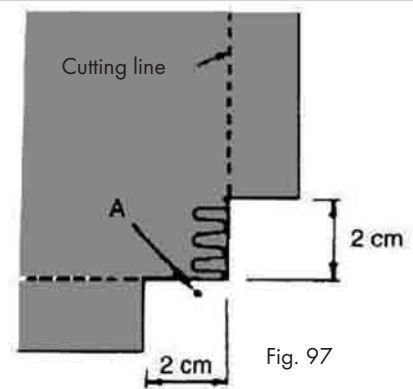


Fig. 97

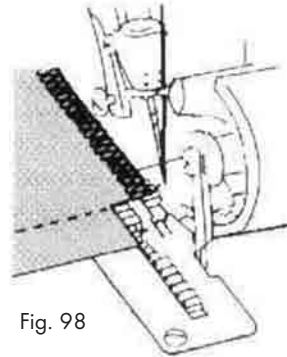


Fig. 98

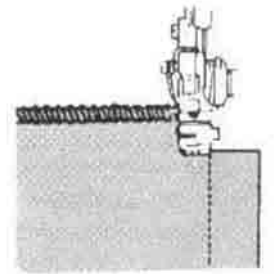


Fig. 99

Inner corners

1. Cut the fabric away from the seam edge.
2. Adjust the upper blade ⑬ into the rest position (Fig. 100).
3. Sew on the cutting edge (Fig. 101).
4. Stop sewing just before reaching the corner.
5. Place a fold on the corner, so that the two edges form a line (Fig. 102).
6. Sew slowly over the corner and along the second edge. Ensure that you do not include the fold!

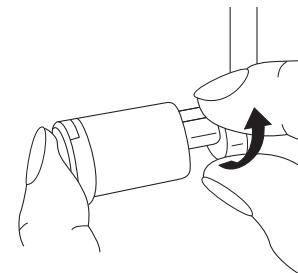


Fig. 100

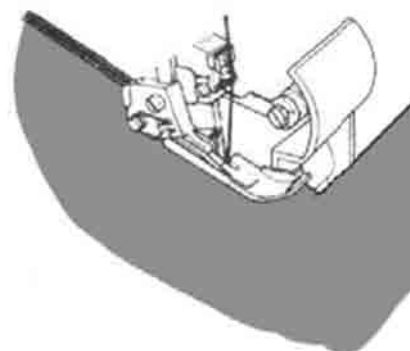


Fig. 101



Fig. 102

Tips and Tricks

Using pins

Always insert pins to the left of the sewing foot 21 (Fig. 103).

The pins are thus not in the cutting area of the blade 18 22 and they can be easily removed afterwards.

⚠ **Attention! Appliance Damage!**

NEVER sew over pins or other hard materials. The blade 18 22 could be irreparably damaged!

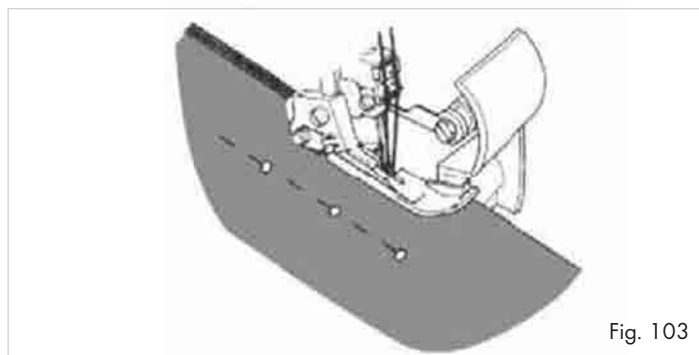


Fig. 103

Secure empty threads

To prevent the loosening of an empty thread chain, you should thread the empty thread chain into a hand-sewing needle. For security, insert the needle into the end of the seam.

Seam reinforcement

The seam can be strengthened if it is sewn with a reinforcing strip.

To do this, guide the strip through the slot in the front area of the sewing foot 21 (Fig. 104).

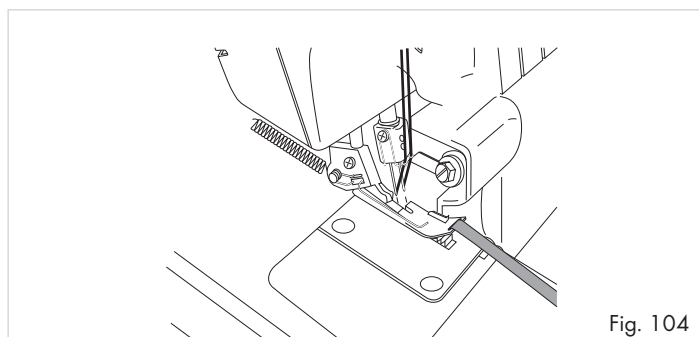


Fig. 104

Place the strip under the foot and to the rear and then sew the seam.

Thus the strip is sewn into the seam (Fig. 105).

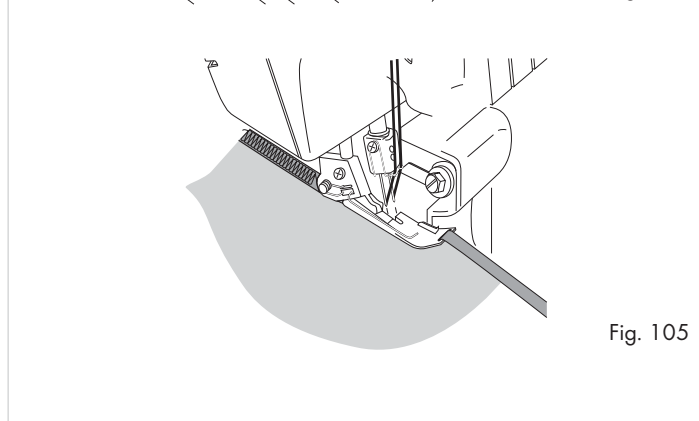


Fig. 105

Edging

1. Adjust the upper blade 18 into the rest position.
2. Remove the right needle and its thread.
3. Pull the cord inlay (yarn or reinforcing strip) through the slot in the front of the sewing foot 21 (Fig. 106).

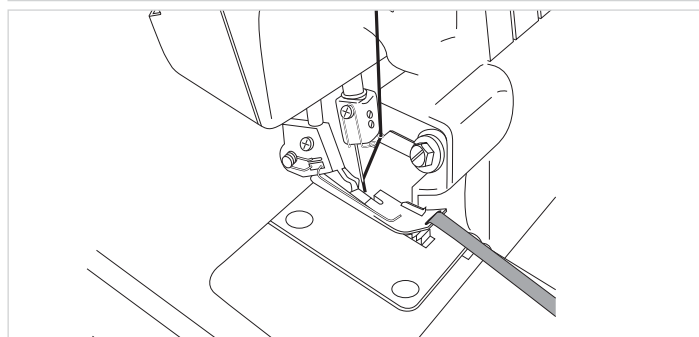


Fig. 106

4. Lay the cord inlay under the sewing foot 21 and chainstitch the desired length (Fig. 107).

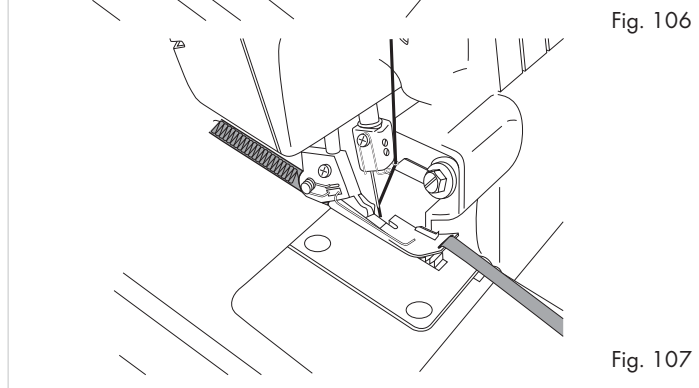


Fig. 107

You can use the chainstitched edgings individually or weave several together.

Maintenance and Cleaning

⚠ Attention!

Before cleaning or carrying out maintenance, ALWAYS remove the plug from the mains power socket. This prevents an unintended starting of the machine. If you do not, you run a risk of serious injury!

Cleaning and lubrication

- Regularly remove dust and lint from the looper and blade areas.
For this you can use the supplied brush (Fig. 108).
- Wipe the machine with a lightly moistened cloth.

- Lubricate the machine regularly at the lubrication points shown on Figure 109. For this use exclusively sewing machine oil.

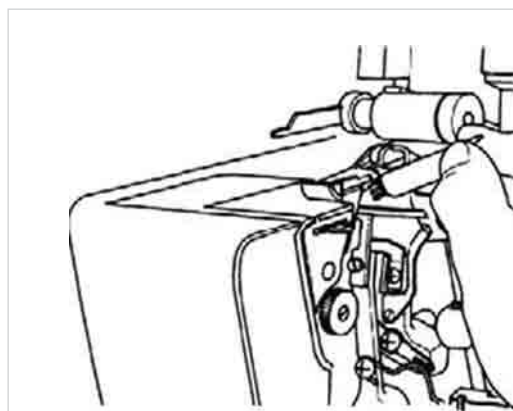


Fig. 108

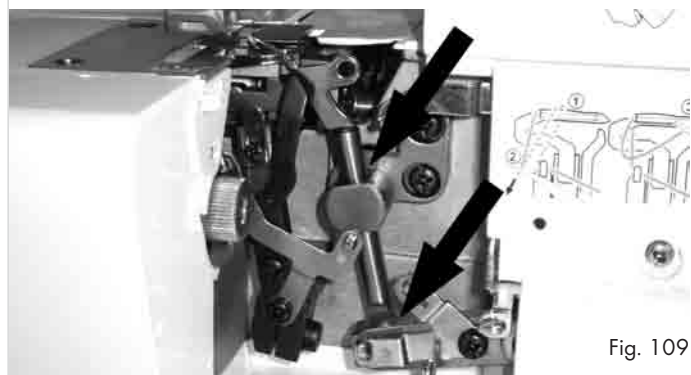


Fig. 109

Exchanging the lower blade

⚠ Attention!

Before changing the blade 22 ALWAYS remove the plug from the mains power socket. This prevents an unintended starting of the machine. If you do not, you run a risk of serious injury!

Change the lower blade 22 as soon as you notice that the lower blade 22 no longer provides accurate and clean cuts. Use Figure 110 for assistance.

1. Open the front flap 10.
2. Adjust the upper blade 18 into the rest position (A).
3. Remove the screw on the lower blade 22 (B) and remove the blade 22 (C) (Fig. 111).
4. Slide the new blade 22 into the retainer and then tighten it with the screws.
5. Place the upper blade 18 in the work position and close the front flap 10.

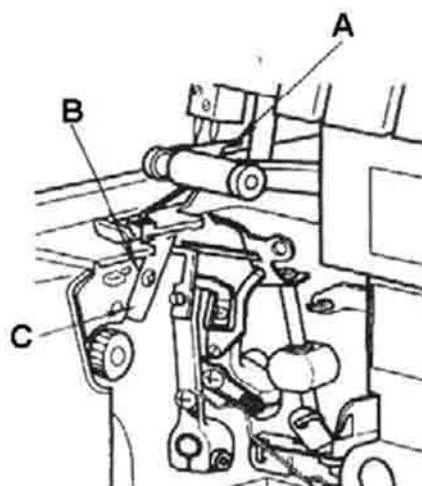


Fig. 110

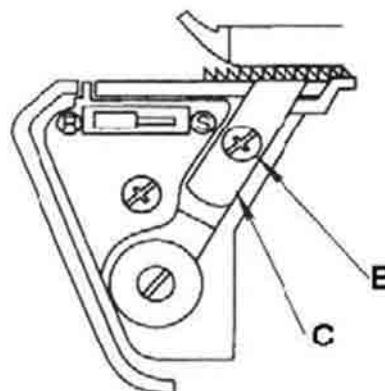


Fig. 111

Storage

IMPORTANT:

ALWAYS remove the plug from the mains power socket before putting the machine into storage. This prevents an unintentional starting of the appliance, and thus the risk of injury, as well as an overheating of it!

When the machine is not in use, always cover it with the hood. This will protect the machine from dust. Store the machine at a clean and dry location.

Always transport the machine with the fold-out handle.

Disposal



Do not dispose of the appliance in your normal domestic waste. This product is subject to the provisions of European Directive 2002/96/EC.

Dispose of the appliance through an approved disposal centre or at your community waste facility.

Observe the currently applicable regulations. In case of doubt, please contact your waste disposal centre.



Dispose of the packaging materials in an environmentally responsible manner.

Under no circumstances should you dispose of the sewing machine oil with household waste. Do not pour it down the drain. Dispose of the machine oil through an approved disposal centre or at your community waste facility.

Warranty and Service

You receive a 3-year warranty for this appliance as of the purchase date. This appliance has been manufactured with care and meticulously examined before delivery.

Please retain your receipt as proof of purchase. In the case of a warranty claim, please make contact by telephone with our service department.

Only in this way can a post-free despatch for your goods be assured.

The warranty covers only claims for material and manufacturing defects, not for transport damage, wearing parts or for damage to fragile components, e.g. buttons or batteries. This product is for private use only and is not intended for commercial applications.

In the event of misuse and improper handling, use of force and interference not carried out by our authorized service branch, the warranty will become void.. Your statutory rights are not restricted in any way by this warranty.

The warranty is not extended by repairs made under warranty. This also applies to replaced and repaired parts. Damages and defects extant on purchase must be reported immediately after unpacking, at latest by two days after the purchase date. Repairs carried out after expiry of the warranty period are subject to charge.

Service Great Britain

Tel.: 0871 5000 720 (£ 0.10/Min.)

E-Mail: kompnass@lidl.gb

Service Ireland

Tel.: 1890 930 034

(0,08 EUR/Min., (peak))

(0,06 EUR/Min., (off peak))

E-Mail: kompnass@lidl.ie

Importer

KOMPERNASS GMBH
BURGSTRASSE 21
44867 BOCHUM, GERMANY

www.kompnass.com

Troubleshooting

Problem	Cause	Solution
Needles break	• Needles are bent, blunt or damaged at the points.	• Fit new needles.
	• Needles are not correctly inserted.	• Insert the needles into the retainers correctly.
	• You have pulled the material too heftily.	• Carefully guide the material with both hands.
Thread breaks	• Yarn has not been correctly threaded.	• Thread the yarn correctly.
	• Thread tension is too high.	• Reduce the thread tension.
	• Needles are not correctly inserted.	• Insert the needles into the retainers correctly.
Stitches are omitted	• Needles are bent, blunt or damaged at the points.	• Fit new needles.
	• Needles are not correctly inserted.	• Insert the needles into the retainers correctly.
	• Yarn has not been correctly threaded.	• Check the course of the individual threads.
Stitches are irregular	• Thread tension is not correct.	• Correct the thread tension.
	• Thread is trapped.	• Check the course of the individual threads.
Seams cause wrinkles	• Thread tension is too high.	• Adjust the thread tension.
	• Yarn has not been correctly threaded.	• Thread the yarn correctly.
	• Thread is blocked.	• Check the course of the individual threads.
	• Differential feed motion not adjusted.	• Correctly adjust the differential transport.
Material is not cut off cleanly	• Blades are blunt or improperly fitted.	• Exchange the blade or reinsert it correctly.
Material edges ruffle themselves	• Too much material in a stitch.	• Altering the seam width.

Spis treści	Strona
Użytkowanie zgodne z przeznaczeniem	39
Wskazówki dotyczące bezpieczeństwa	39
Zakres dostawy	40
Dane techniczne	40
Opis urządzenia	41
Ustawianie noża górnego w położeniu spoczynkowym	41
Informacje o igłach	41
Wkład do chwytacza górnego	41
Otwieranie klapy czołowej	42
Czynności przygotowawcze	42
Podłączanie pedału	42
Sterowanie prędkością szycia	42
Wyłącznik bezpieczeństwa	42
Dołączanie pojemnika na odpadki	42
Zdejmowanie igły(igieł)	43
Zakładanie igły(igieł)	43
Obsługa koła	43
Ustawianie wysięgnika nitek	43
Nawlekanie	44
Ogólne wskazówki dotyczące nawlekania	44
Nawlekanie górnej nitki chwytacza (czerwony)	44
Nawlekanie dolnej nitki chwytacza (żółty)	46
Nawlekanie nitki prawej igły (zielony)	47
Nawlekanie nitki lewej igły (niebieski)	49
Szycie próbne	50
Zmiana nitki (wiązanie)	51
Ustawianie długości ściegu	51
Ustawianie szerokości szwu	51
... przy użyciu prawej lub lewej igły	51
... poprzez obracanie pokrętką regulacji szerokości szwu	52
Ustawianie pokrętki regulacji szerokości szwu	52
Ustawianie docisku stopki	52
Transport różnicowy	53
Zasada działania	53
Szew overlokowy marszczony – ustawienia	53
Szew overlokowy rozciągliwy – ustawienia	53
Szycie z wolnym ramieniem	54

Przed pierwszym użyciem zapoznaj się z instrukcją obsługi i zachowaj ją w celu późniejszego wykorzystania. W przypadku przekazania urządzenia osobom trzecim należy przekazać im także instrukcję.

Szwy owerlokowe	55
Obrzucanie ścięciem	55
Szycie na okrętkę i szycie próbne	56
Zalecane ustawienia naciągu	56
2-nitkowy ściąg obrębiający rulonowy (owerlokowy)	57
2-nitkowy ściąg obrzucający	58
3-nitkowy ściąg obrzucający	59
3-nitkowy szew płaski typu flatlock	60
3-nitkowy ściąg obrzucający rulonowy (owerlokowy)	61
3-nitkowy ściąg zabezpieczający, bardzo rozciągliwy, imitowany	62
4-nitkowy ściąg zabezpieczający, bardzo rozciągliwy, imitowany	63
Obrzucanie ścięciem	64
3-nitkowe obrzucanie ścięciem	64
3-nitkowe obrzucanie ścięciem rulonowe chwytnicem górnym	64
2-nitkowe obrzucanie ścięciem	65
2-nitkowe obrzucanie ścięciem rulonowe chwytnicem dolnym	65
Szwy płaskie dekoracyjne typu flatlock	66
Szew płaski typu flatlock jako szew montażowy	66
Szew płaski jako szew dekoracyjny	67
Owerlokowe obrzucanie brzegów	67
Pasemka	67
Szycie narożników	68
Narożniki zewnętrzne	68
Narożniki wewnętrzne	68
Wskazówki i porady	69
Fastrygowanie	69
Zabezpieczanie pustego łańcuszka	69
Wzmacnianie szwu	69
Naszywki	69
Konserwacja i czyszczenie	70
Czyszczenie i smarowanie	70
Wymiana noża dolnego	70
Przechowywanie	71
Usuwanie/wyrzucanie	71
Gwarancja i serwis	71
Importer	71
Usuwanie usterek	72

MASZYNA DO SZYCIA ZE ŚCIEGIEM OWERLOK

Użytkowanie zgodne z przeznaczeniem

Owerlokowa maszyna do szycia służy do ...

- użytku jako urządzenie mobilne;
- do obszycia brzegów materiałów (ścieg okrętowy) ...
- wyłącznie do użytku w prywatnych gospodarstwach domowych.

Maszyna do szycia nie nadaje się ...

- do ustawienia stacjonarnego,
- do obróbki innych materiałów (np. skóry, tkaniny namiotów, żagli itp),
- do użytku komercyjnego i przemysłowego.

Wskazówki dotyczące bezpieczeństwa

W przypadku maszyny do szycia można odnieść obrażenia i narazić się na niebezpieczeństwo utraty życia, jak w przypadku każdego innego urządzenia elektrycznego. By tego uniknąć, a także by praca była bezpieczna:


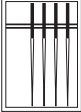

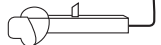
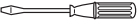




- Przy opuszczaniu maszyny należy zawsze wyciągnąć wtyczkę sieciową z gniazdka.
Zapobiega to niebezpieczeństwu wypadku przez przypadkowe włączenie.
- Przed przystąpieniem do konserwacji, najpierw wyciągnij wtyczkę z gniazdka. Zapobiega to zagrożeniu dla życia przez porażenie prądem elektrycznym. Lampki diodowej nie można wymienić.
- Nigdy nie wyciągać wtyczki z gniazdka, ciągnąc za kabel. Przy wyciąganiu należy zawsze chwycić za wtyczkę, nigdy za kabel.
- Maszyny do szycia należy używać tylko w suchych pomieszczeniach.
- Naprawę uszkodzonej wtyczki lub kabla sieciowego niezwłocznie zleć wykwalifikowanemu personelowi lub serwisowi klienta.
- Urządzenie nie jest przeznaczone do użytkowania przez osoby (w tym dzieci) z ograniczoną sprawnością fizyczną, sensoryczną bądź umysłową lub nieposiadające doświadczenia i / lub wiedzy, chyba że będą one przebywały pod opieką osoby odpowiedzialnej za ich bezpieczeństwo lub uzyskają od niej wskazówki dotyczące właściwego używania urządzenia.
- Nie można pozwolić dzieciom na zabawę urządzeniem.
- Nigdy nie używać maszyny z zablokowanymi otworami wentylacyjnymi. Otwory wentylacyjne maszyny oraz pedały należy czyścić z kłaczek, kurzu i resztek tkanin.
- W przypadku uszkodzenia przewodu przyłączeniowego, połączono go z pedałem, przewód należy przekazać producentowi lub serwisowi technicznemu w celu wymiany uszkodzonego przewodu.

Ostrzeżenie przed obrażeniami i szkodami materialnymi:

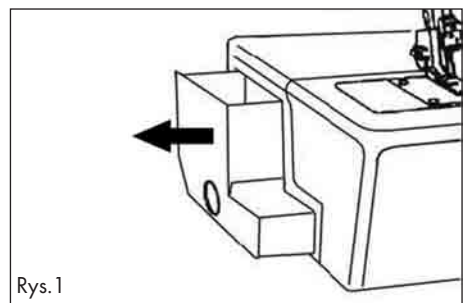
- Należy utrzymywać porządek w obszarze pracy. Nieporządek w obszarze pracy może powodować wypadki.
- Zadbać o dobre oświetlenie podczas pracy!
- Nie nosić luźnego ubrania ani biżuterii, gdyż mogą one zostać wciągnięte przez ruchome części. Osoby z długimi włosami powinny nosić siatkę na włosach.
- Unikać przyjmowania nienaturalnej sylwetki ciała. Zawsze dbać o pewne podparcie i stałe zachowanie równowagi.
- Producent nie odpowiada za szkody z tytułu wypadków, spowodowanych przez niewystarczającą staranność przy obchodzeniu się z urządzeniem lub nieprzestrzeganiem wskazówek bezpieczeństwa, podanych w instrukcji obsługi.
- Nie zastraszaj otworów wentylacyjnych! Zagrożenie przegrzania!
- Olej do maszyny do szycia trzymaj z dala od dzieci.
- W razie połknięcia oleju lub dostania się do oczu natychmiast zgłoś się do lekarza.

Zakres dostawy

Owerlokowa maszyna do szycia
Olej
Pojemnik na odpadki
Pudełko z akcesoriami
Instrukcja obsługi

nóż zapasowy (dolny)	
2 igły nr 11 4 igły nr 14 (2 założone w maszynie)	
4 zatyczki szpulek	
wkład do chwytacza górnego	
śrubokręt mały	
śrubokręt duży	
pokrywa	
pęseta	
pędzelek	

Akcesoria znajdziesz w pudełku z boku maszyny (rys. 1).



Rys. 1

Dane techniczne

Liczba nitok 2, 3 lub 4
Liczba igieł 2 lub 1
Prędkość szycia ok. 1200 obr./min.
Szerokość ściegu
prawy: 3,0 mm - 4,5 mm
lewy: 5,2 mm - 6,7 mm
Długość ściegu 1 - 4 mm
Igły HA x 1 nr 11-14 lub 130/705 nr 75-90
Pobór mocy : 90 W
Napięcie nominalne: 220-240 V ~ , 50 Hz
Klasa ochrony: II □

Poziom hałasu w normalnych warunkach użytkowania wynosi 78 dB(A).

Pedał

Do tej maszyny używaj wyłącznie dołączonego pedału:
- ELECTRONIC FDM Speed Controller
- Typ KD-2902

Opis urządzenia

Na przedniej stronie rozkładanej:

- 1 przewód nici
- 2 trzpień szpulki
- 3 centrowanie szpulki
- 4 dźwignia stopki
- 5 pokrętło regulacyjne długości ściegu
- 6 koło
- 7 przyłącze pedału/przyłącze sieciowe
- 8 wyłącznik sieciowy (wyłącznik On/Off)
- 9 dźwignia transportu różnicowego
- 10 klapka czołowa
- 11 płytki palca ściegowego
- 12 wolne ramię
- 13 płytki ściegowa
- 14 nastawnik naciągu nitki (lewa nitka)
- 15 nastawnik naciągu nitki (prawa nitka)
- 16 nastawnik naciągu nitki (chwytacz górny)
- 17 nastawnik naciągu nitki (chwytacz dolny)

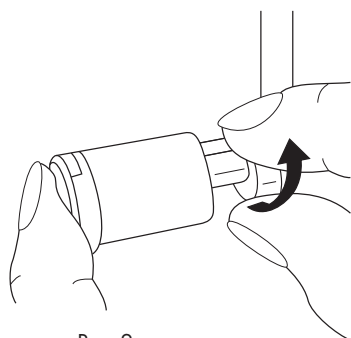
Na tylnej stronie rozkładanej:

- 18 ruchomy nóż górny (nóż górny)
- 19 chwytacz górny
- 20 chwytacz dolny
- 21 stopka
- 22 stały nóż dolny
- 23 nastawnik szerokości szwu
- 24 pokrętło regulacji szerokości szwu

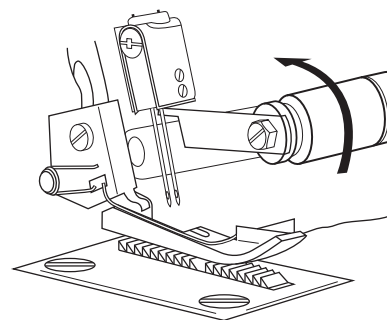
Ustawianie noża górnego w położeniu spoczynkowym

W określonych rodzajach szwów lub w celu łatwiejszej obsługi pokrętła regulacji szerokości szwu 24 należy nóż górny 18 ustawić w położenie spoczynkowe.

W tym celu nóż górny 18 przesunąć w prawo i przekręcić go nieco aż do unieruchomienia (rys. 2 i 3).



Rys. 2



Rys. 3

Informacje o igłach

W tej maszynie stosuje się dostępne w sprzedaży płaskie igły szwalnicze. Tych igieł nie można pomyłkowo założyć. Igły te są oferowane w specjalistycznych sklepach.

Do maszyny pasują igły o rozmiarach 11 i 14.

W poniższej tabeli przedstawiono w skrócie różnice przy używaniu igły (szczegółowe informacje na ten temat, zobacz rozdział „Ustawianie szerokości szwu”).

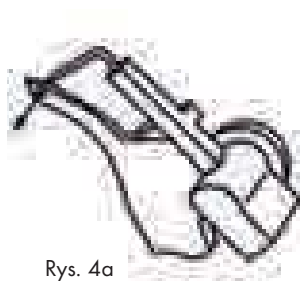
szerokość szwu	3,5 mm	5,7 mm
używana igła	prawa igła	lewa igła
nastawnik naciągu nitki	zielony	niebieski

Wkład do chwytacza górnego

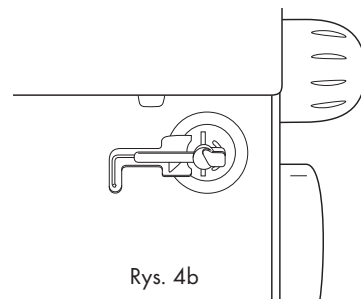
Do wykonania niektórych rodzajów ściegów potrzebny jest wkład do chwytacza górnego. W opisach do poszczególnych rodzajów ściegów zamieszczono informację o tym, czy jest potrzebne założenie wkładu do chwytacza górnego.

Włóż mały drucik od tyłu w ucho chwytacza górnego 19 i plastikowy, natomiast z drugiej strony plastikowy trzpień od przodu w otwór w chwytaczu górnym 19 (rys. 4a).

Wkład do chwytacza górnego możesz przechowywać w schowku za klapką czołową 10 (rys. 4b).



Rys. 4a



Rys. 4b

Otwieranie klapki czołowej

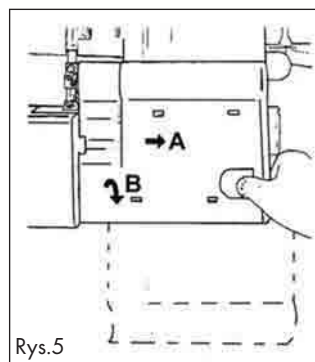
⚠ Uwaga!

Zawsze najpierw wyłącz maszynę do szycia wyłącznikiem sieciowym **8** zanim otworzysz klapkę czołową **10**. Niebezpieczeństwo odniesienia obrażeń.

- Przesuń klapkę czołową **10** w prawo (A), a następnie pociągnij do siebie (B) (rys. 5). Za klapką czołową **10** zobaczysz przestrzeń chwytaczy.

ⓘ UWAGA:

W trakcie szycia klapka czołowa **10** musi być zawsze zamknięta!



Rys.5

Czynności przygotowawcze

Maszynę overlokową ustaw na stabilnej, równej powierzchni.

Zwróć uwagę na to, czy na miejscu pracy jest zapewnione dostateczne oświetlenie.

Podłączanie pedału

- Podłącz wtyczkę pedału do przyłącza pedału **7**.
- Podłącz wtyczkę do gniazdka zasilania.

W celu włączenia maszyny naciśnij wyłącznik sieciowy **8**.

⚠ Uwaga!

Oddalając się z miejsca pracy lub przed przystąpieniem do konserwacji, zawsze wyjmij wtyczkę sieciową z gniazdka. Niebezpieczeństwo odniesienia obrażeń.

Sterowanie prędkością szycia

Prędkością szycia steruje się za pośrednictwem pedału. Prędkością szycia steruje się poprzez mocniejszy lub słabszy nacisk na pedał.

Wyłącznik bezpieczeństwa

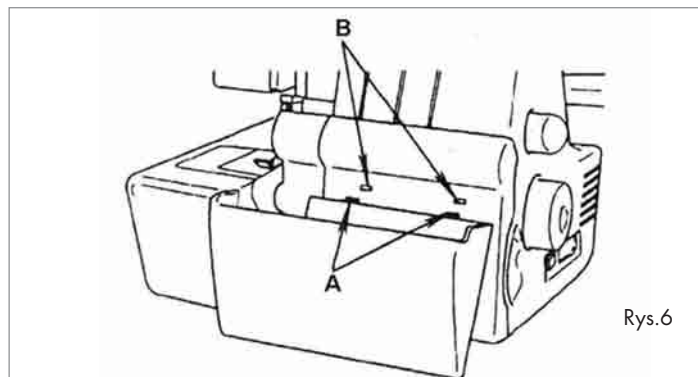
Maszyna została wyposażona w mikrowyłącznik bezpieczeństwa. Przy otwartej klapce czołowej **10** uruchomienie maszyny nie jest możliwe.

Przed przystąpieniem do szycia zamknij klapkę czołową **10**.

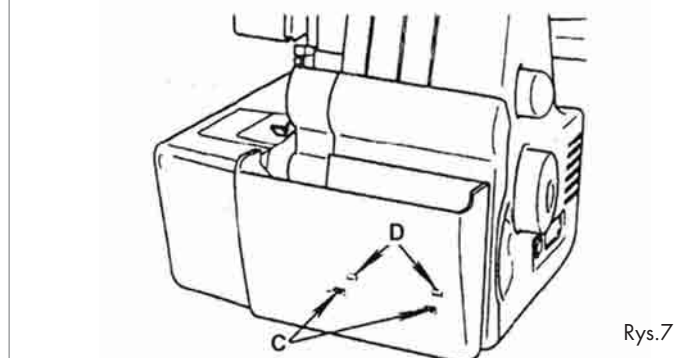
Dołączanie pojemnika na odpadki

W czasie pracy do pojemnika na odpadki wpadają wszystkie resztki materiałów, co pozwala utrzymać czystość w miejscu pracy.

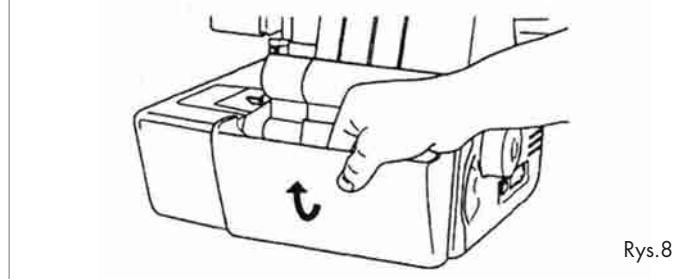
- Najpierw wsuń obie blokady (A) w otwory mocujące (B) (rys. 6).
- Następnie obie blokady (C) wprowadź w otwory mocujące (D) (rys. 7).



Rys.6



Rys.7



Rys.8

- By ponownie zdjąć pojemnik na odpadki, pojemnik przesunij do przodu i nieco nachyl (rys. 8).

Zdejmowanie igły(igieł)

⚠ Uwaga!

Przed przystąpieniem do wymiany igły, najpierw wyjmij wtyczkę z gniazdka. Uniemożliwi to przypadkowe uruchomienie urządzenia. W przeciwnym razie powstaje niebezpieczeństwo odniesienia obrażeń!

Porada

Wymiana igieł przebiega sprawniej po uprzednim zdjęciu pokrywy wolnego ramienia (rys. 9a)!

1. Obracaj kołem **6** do siebie, aż igły znajdą się w najwyższym położeniu (rys. 9b).
2. Małym śrubokrętem odkręć śruby igły dotąd, aż będziesz mógł wyciągnąć igłę (rys. 10).
3. Zdejmowanie igieł.

Zakładanie igły(igieł)

⚠ Uwaga!

Przed przystąpieniem do wymiany igły, najpierw wyjmij wtyczkę z gniazdka. Uniemożliwi to przypadkowe uruchomienie urządzenia. W przeciwnym razie powstaje niebezpieczeństwo odniesienia obrażeń!

1. Chwyć igłę spłaszczoną stroną skierowaną do tyłu.
2. Igłę wsuń maksymalnie w uchwyt igły.
3. Małym śrubokrętem dokręć śruby igły (rys. 10).

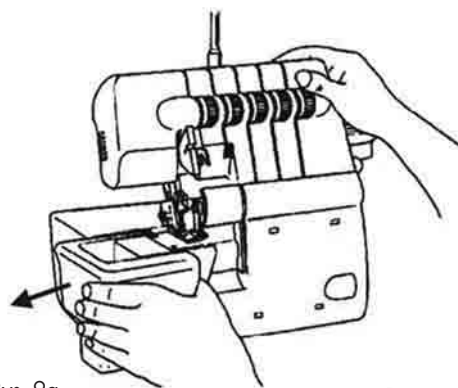
Obsługa koła

i UWAGA:

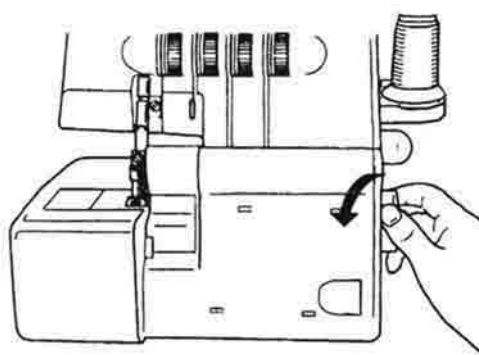
Obracaj kołem **6** zawsze do siebie (rys. 9b).

Ustawianie wysięgnika nitki

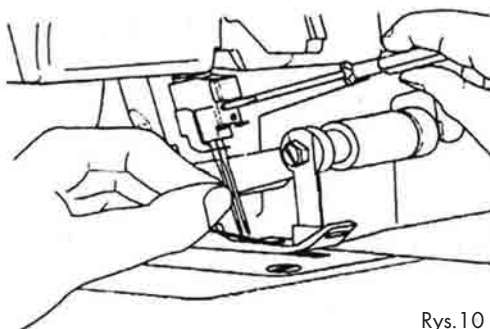
- Przed nawleczeniem wyciągnij do końca prowadnik nitki **1** (rys. 11).
- Prowadnik nitki **1** obróć **2** taki sposób, by prowadniki sitki znajdowały się na trzpieniach szpulki.
- W prawidłowym położeniu oba elementy przegubowe prowadnika nici **1** muszą się zatrzasnąć z charakterystycznymi zatrzasnąc.
- Załóż szpulki nici na centrowanie szpulki.
Centrowanie szpułek nici obowiązuje w przypadku braku szpułek przemysłowych. Kłapkę w każdej ze szpułek wsuń na krążek nici (rys. 12).
W ten sposób przy szyciu kłapka będzie się trzymała na swoim miejscu.



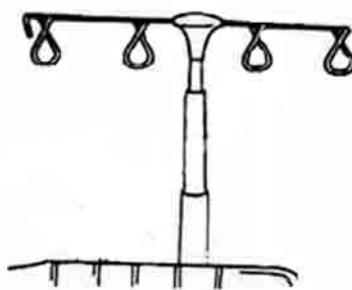
Rys. 9a



Rys. 9b



Rys.10



Rys.11



Rys.12

Nawlekanie

ⓘ UWAGA:

W zestawie z maszyną znajdują się 4 igły. Można przystąpić do szycia zaraz po włączeniu maszyny. By zmienić nitkę, przy stałe przewleczonych nitkach, zapoznaj się z rozdziałem „Zmiana nitki (wiązanie)”.

W razie konieczności nawleczenia całkiem nowej nitki, postąpić, jak opisano w rozdziale „Nawlekanie”.

Ogólne wskazówki dotyczące nawlekania

⚠ Uwaga!

Przed przystąpieniem do nawlekania wyłącznik sieciowy ❸ zawsze ustaw na „O” (wył.) i wyjmij wtyczkę z gniazdka. Uniemożliwi to przypadkowe uruchomienie urządzenia. W przeciwnym razie powstaje niebezpieczeństwo odniesienia obrażeń!

Prawidłowe nawlekanie decyduje o regularności późniejszych ściągów, a także o braku zrywania się nitki.

Za klapką czołową ❶ znajduje się wykres z instrukcją nawlekania. Dodatkowo różnymi kolorami pokazano biegi poszczególnej nitki.

W pudełku z akcesoriami znajduje się pęseta, która ułatwia nawlekanie.

Nawlekanie odbywa się w następującej kolejności (rys. 13/14):

1. Pierwszy etap: Górna nitka chwytnicza (czerwony)
2. Drugi etap: Dolna nitka chwytnicza (żółty)
3. Trzeci etap: Nitka prawej igły (zielony)
4. Czwarty etap: Nitka lewej igły (niebieski)

ⓘ UWAGA:

Po nawleczeniu wszystkich nitek i zwolnieniu dolnej nitki chwytnicza, postąpić według następującego opisu:

- Odwiń obie nitki igieł.
- Następnie nawiń dolną nitkę chwytnicza.
- Dopiero wtedy nawiń ponownie nitki obu igieł.

Igły nawleka się zawsze na końcu!

W celu ułatwienia pracy, poszczególne etapy ponumerowano na rysunkach.

Nawlekanie górnej nitki chwytnicza (czerwony)

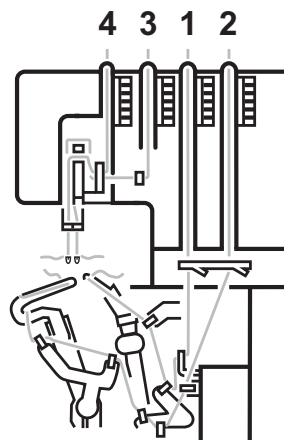
⚠ Uwaga!

Przed przystąpieniem do nawlekania wyłącznik sieciowy ❸ obowiązkowo ustaw w położenie „O” (wył.) i wyjmij wtyczkę z gniazdka. Uniemożliwi to przypadkowe uruchomienie urządzenia. W przeciwnym razie powstaje niebezpieczeństwo odniesienia obrażeń!

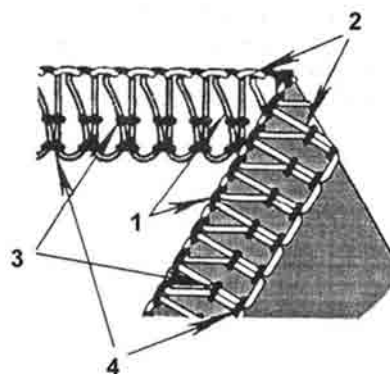
Wykorzystaj do pomocy rysunki pokazane obok.

Na rysunku 15 przedstawiono bieg górnej nitki chwytnicza. Poszczególne miejsca nawlekania zostały ponumerowane i opisane poniżej.

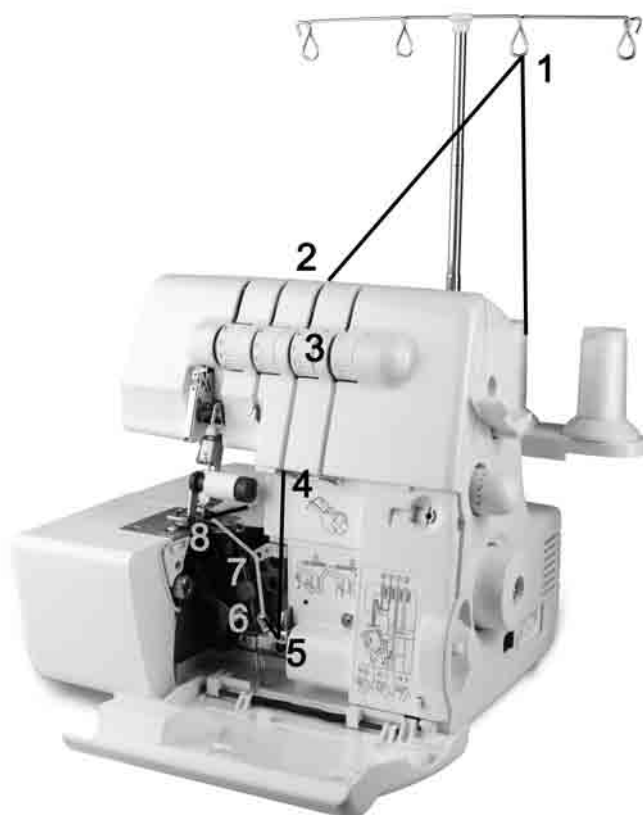
1. Otwórz klapkę czołową ❶.
2. Przeciągnij nitkę od tyłu do przodu przez prowadnik ❶ (1).



Rys. 13

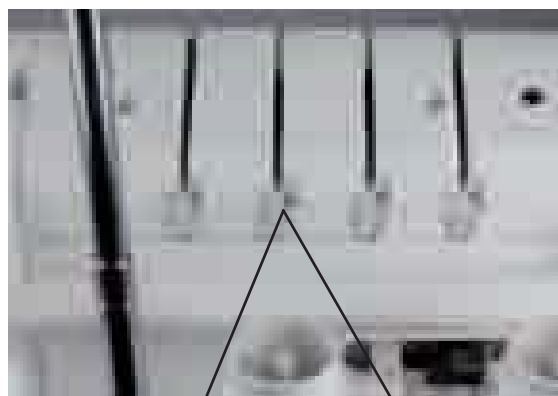


Rys. 14



Rys. 15

3. Nawleczyć nitkę na prowadnicę, ciągnąc nitkę w dół, aż wślizgnie się pod prowadnicę (2) (rys. 16).

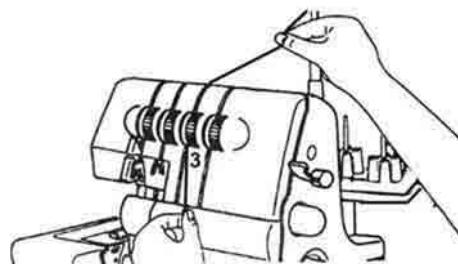


Rys.16

4. Przytrzymaj nitkę palcami, wsuń ją między tarcze nastawnika naciągu nitki 16, a następnie pociągnij nitkę w dół (3) (rys. 17).

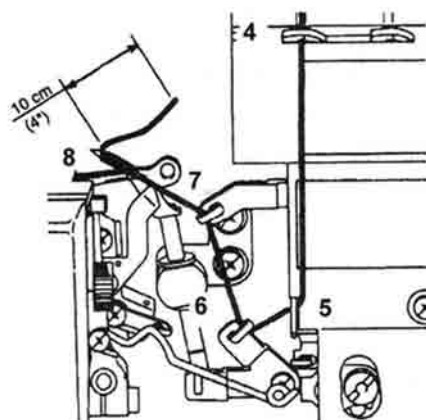
i UWAGA:

Nitka musi przebiegać prawidłowo między dwiema tarczami nastawnika naciągu nitki 16.



Rys.17

5. Nawleczyć nitkę w obszarze chwytacza, jak pokazują czerwone zaznaczenia (5-7) (rys. 18).
6. Przeciągnij nitkę od przodu do tyłu przez chwytacz górny 19 (8).
7. Przeciągnij około 10 cm nitki przez chwytacz i połóż nitkę na płytce ściegowej 13.



Rys.18

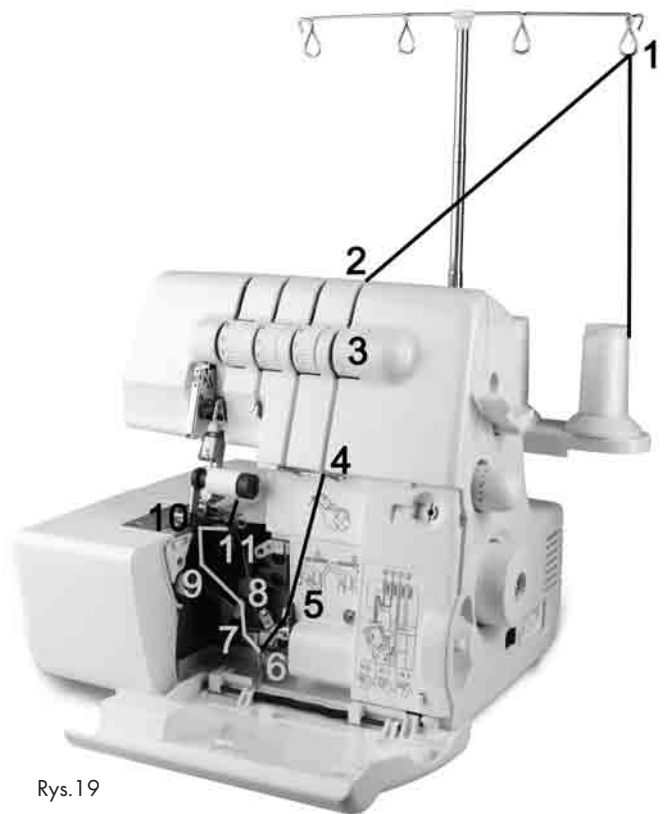
Nawlekanie dolnej nitki chwytacza (żółty)

⚠ Uwaga!

Przed przystąpieniem do nawlekania wyłącznik sieciowy ❸ obowiązkowo ustaw w położenie „O” (wył.) i wyjmij wtyczkę z gniazdka. Uniemożliwi

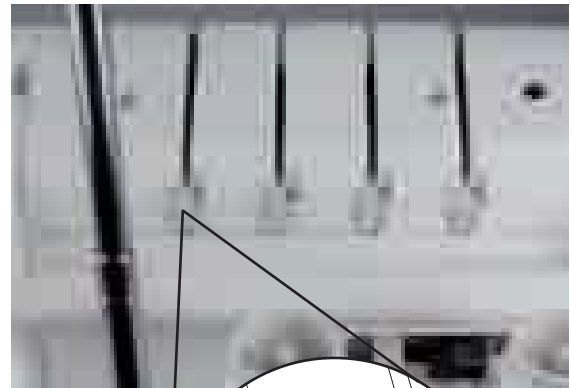
to przypadkowe uruchomienie urządzenia. W przeciwnym razie powstaje niebezpieczeństwo odniesienia obrażeń!

Na rysunku 19 przedstawiono bieg dolnej nitki chwytacza. Poszczególne miejsca nawlekania zostały ponumerowane i opisane poniżej.

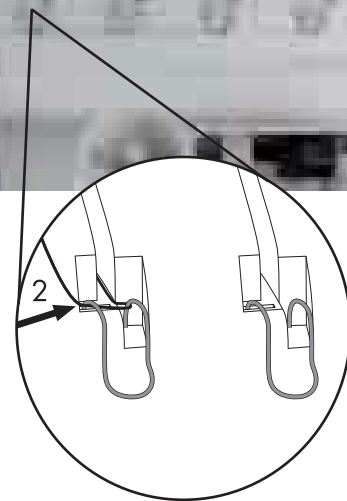


Rys.19

1. Przeciągnij nitkę od tyłu do przodu przez prowadnik ❶ (1).
2. Nawlec nitkę na prowadnicę, ciągnąc nitkę w dół, aż wślizgnie się pod prowadnicę (2) (rys. 20).



Rys.20

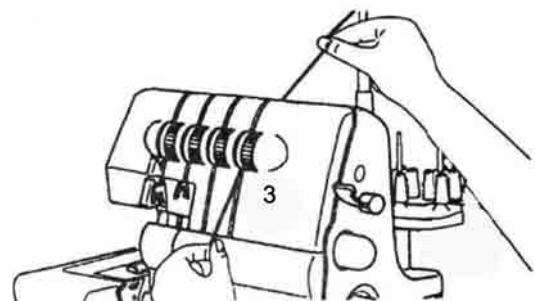


3. Przytrzymaj nitkę palcami, wsuń ją między tarcze nastawnika naciągu nitki ❷, a następnie pociągnij nitkę w dół (3) (rys. 21).

❗ UWAGA:

Nitka musi przebiegać prawidłowo między dwiema tarczami nastawnika naciągu nitki ❷.

4. Obróć koło do siebie ❸, aż chwytacz dolny ❹ znajdzie się całkowicie z prawej strony.



Rys.21

5. Nawlecz nitkę w obszarze chwytacza, jak pokazują żółte zaznaczenia (4-8) (rys. 22).

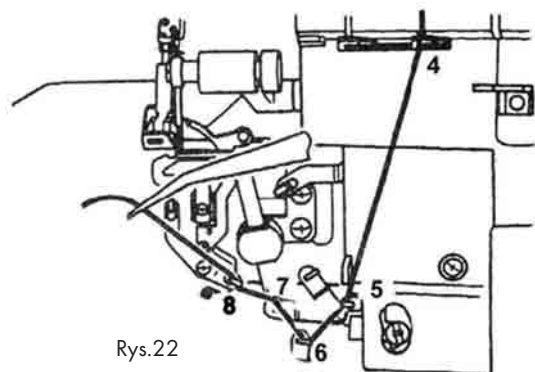
6. Przytrzymaj pęsetą nitkę w odległości około 4 cm od prowadnicy (rys. 23).
7. Następnie nitkę wprowadź ostrożnie pęsetą od lewej strony pod prowadnicę nitki.
8. Przeciągnij nitkę do góry w prowadnicę (9).

9. Przeciągnij nitkę w dół przez górny koniec chwytacza dolnego 20 (10A) (rys. 23).

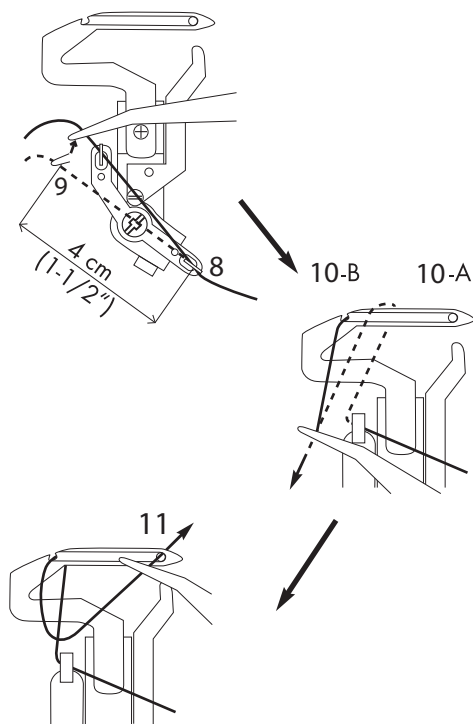
10. Na końcu nitkę ostrożnie pociągnij w dół tak, by wślizgnęła się w wycięcie chwytacza (10B) (rys. 23). Na tym etapie skorzystaj również z rysunku zamieszczonego na maszynie!

11. Przeciągnij nitkę przez ucho chwytacza (11). Nitka powinna przechodzić przez rowek chwytacza dolnego 20 (rys. 23).

12. Przeciągnij około 10 cm nitki przez chwytacz i przelóż nitkę **przez** chwytacz górny 19 i płytkę ściegową 18 do tyłu.



Rys.22



Rys.23

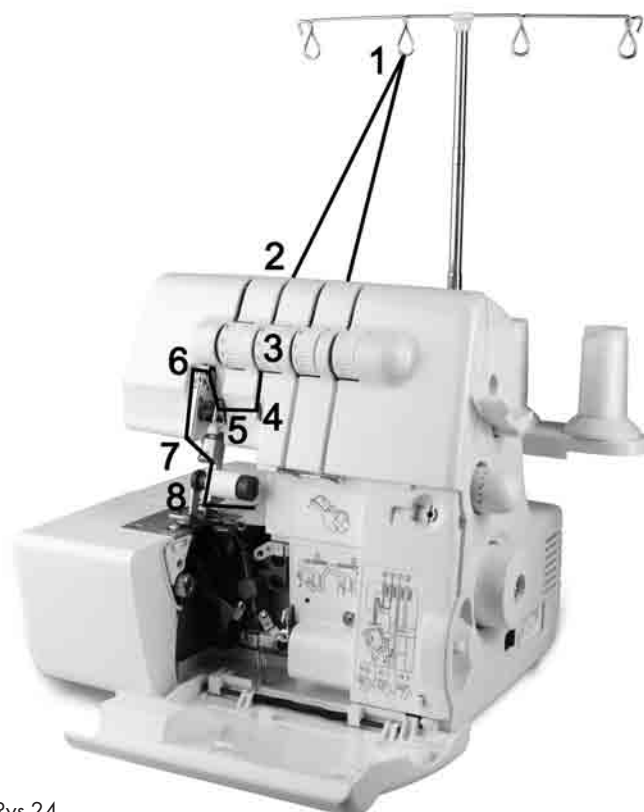
Nawlekanie nitki prawej igły (zielony)

⚠ Uwaga!

Przed przystąpieniem do nawlekania wyłącznik sieciowy 8 obowiązkowo ustaw w położenie „O” (wył.) i wyjmij wtyczkę z gniazdka. Uniemożliwi to przypadkowe uruchomienie urządzenia. W przeciwnym razie powstaje niebezpieczeństwo odniesienia obrażeń!

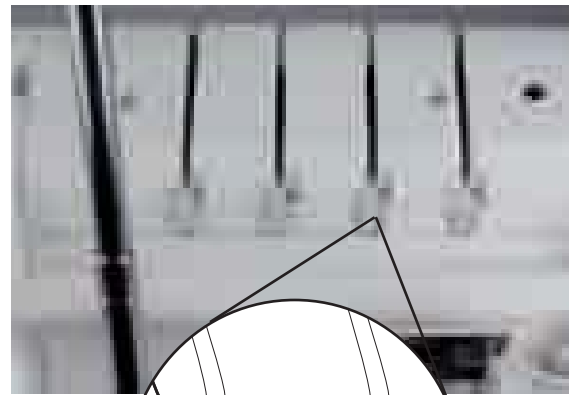
Na rysunku 24 przedstawiono bieg prawej nitki chwytacza. Poszczególne miejsca nawlekania zostały ponumerowane i opisane poniżej.

1. Przeciągnij nitkę od tyłu do przodu przez prowadnik 1 (1).

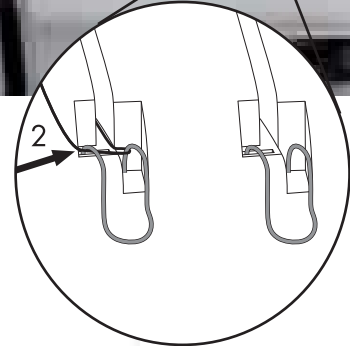


Rys.24

2. Nawlecz nitkę na prowadnicę, ciągnąc nitkę w dół, aż wślizgnie się pod prowadnicę (2) (rys. 25).



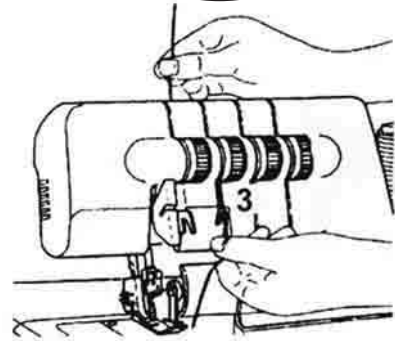
Rys.25



3. Przytrzymaj nitkę palcami, wsuń ją między tarcze nastawnika naciągu nitki 15, a następnie pociągnij nitkę w dół (3) (rys. 26).

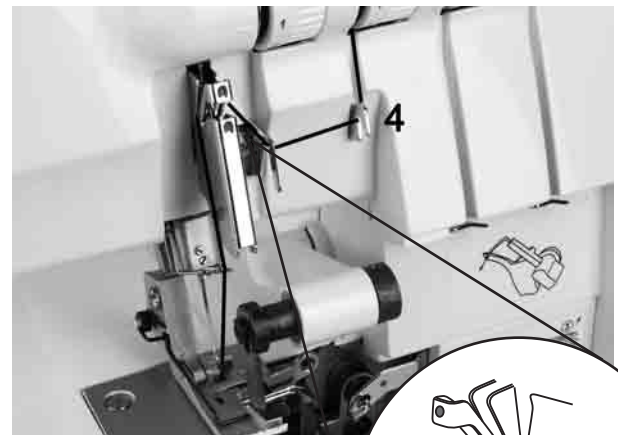
ⓘ UWAGA:

Nitka musi przebiegać prawidłowo między dwiema tarczami nastawnika naciągu nitki 15.

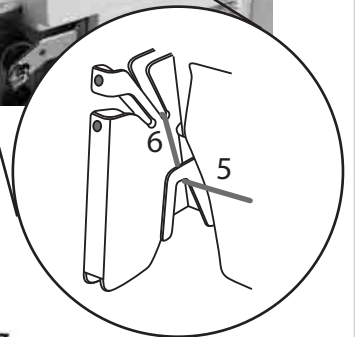


Rys.26

4. Nawlecz nitkę, jak pokazują zielone zaznaczenia (4-7) (rys. 27/28).

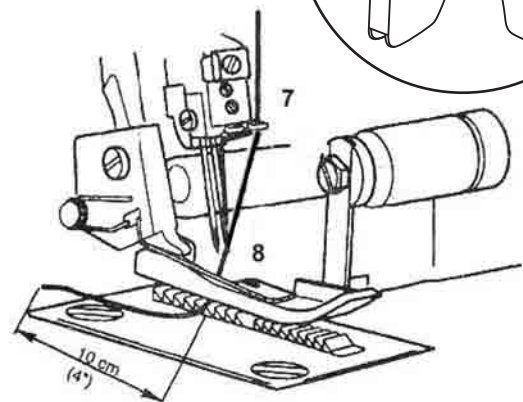


Rys.27



5. Nawlecz nitkę na prawą igłę (8) (rys. 28).

6. Przelóż nitkę do tyłu pod stopkę 21.



Rys.28

Nawlekanie nitki lewej igły (niebieski)

⚠ Uwaga!

Przed przystąpieniem do nawlekania wtycznik sieciowy **ⓑ** obowiązkowo ustaw w położenie „O” (wył.) i wyjmij wtyczkę z gniazdka. Uniemożliwi to przypadkowe uruchomienie urządzenia. W przeciwnym razie powstaje niebezpieczeństwo odniesienia obrażeń!

Na rysunku 29 przedstawiono bieg lewej nitki chwytnicza. Poszczególne miejsca nawlekania zostały ponumerowane i opisane poniżej.

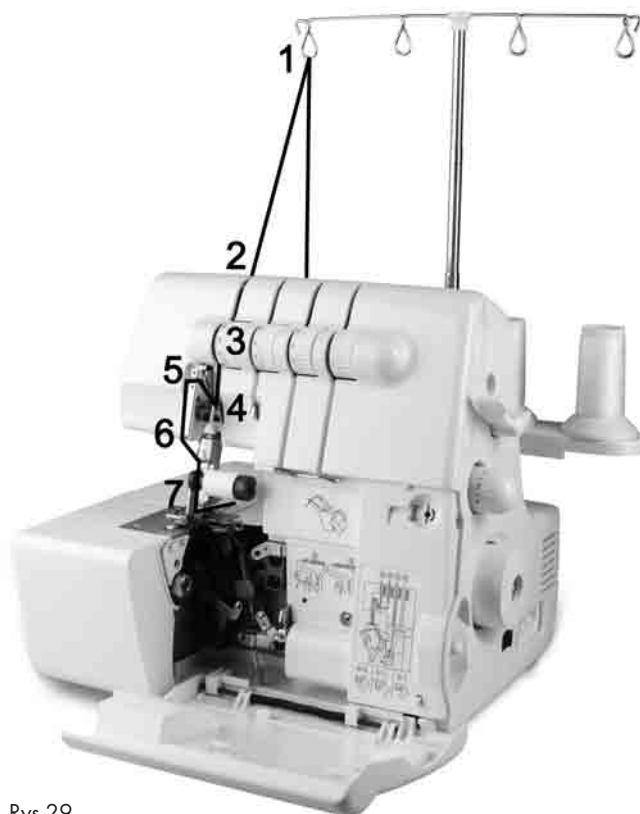
1. Przeciągnij nitkę od tyłu do przodu przez prowadnik **❶** (1).

2. Nawlecz nitkę na prowadnicę, ciągnąc nitkę w dół, aż wślizgnie się pod prowadnicę (2) (rys. 30).

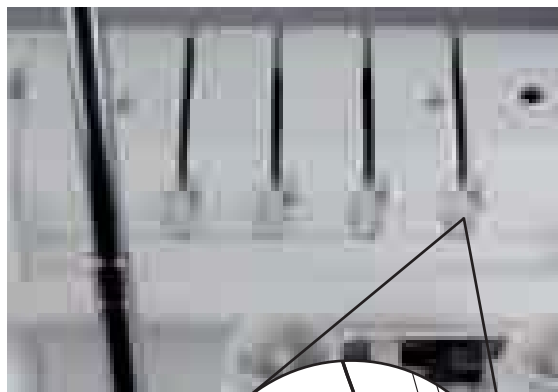
3. Przytrzymaj nitkę palcami, wsuń ją między tarcze nastawnika naciągu nitki **❷**, a następnie pociągnij nitkę w dół (3) (rys. 31).

ⓘ UWAGA:

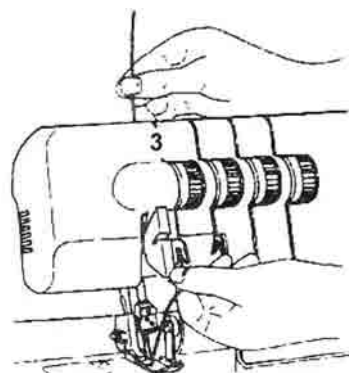
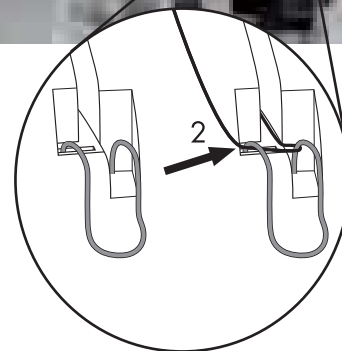
Nitka musi przebiegać prawidłowo między dwiema tarczami nastawnika naciągu nitki **❷**.



Rys.29

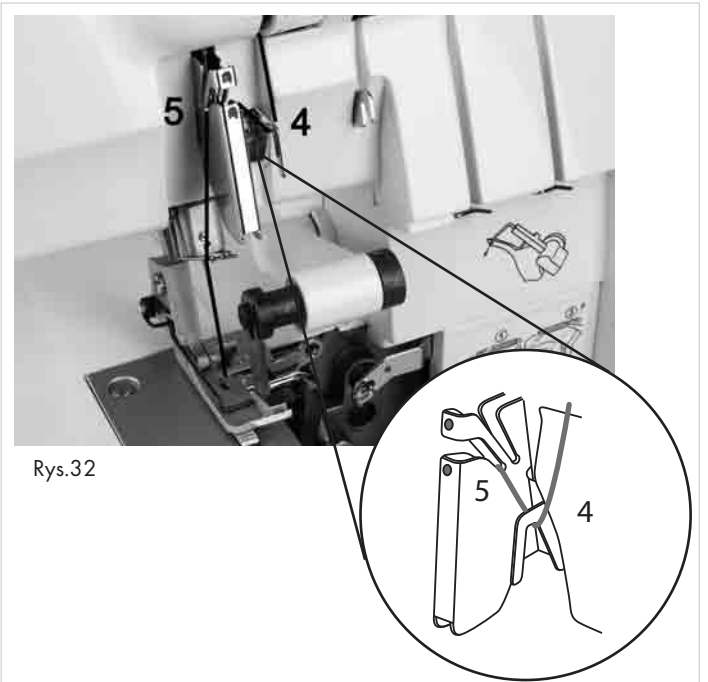


Rys.30



Rys.31

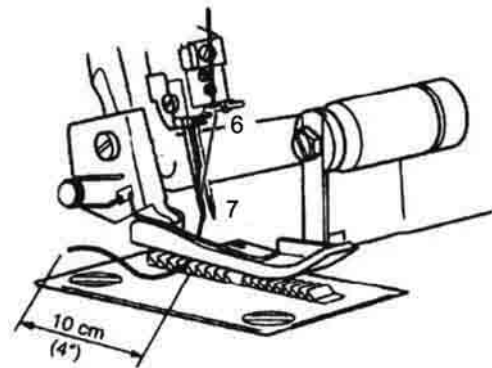
4. Nawlecz nitkę, jak pokazują niebieskie zaznaczenia (4-6) (rys. 32/33).



Rys.32

5. Nawlecz nitkę na lewą igłę (7) (rys. 33).

6. Przelóż nitkę do tyłu pod stopkę 21.



Rys.33

Szycie próbne

Po pierwszym nawleczeniu nitki lub w wypadku zerwania nitki i konieczności założenia nowej, należy postąpić w następujący sposób:

Podnieś stopkę 21.

Opuszkami palców lewej ręki przytrzymaj końce nitki, obróć powoli kołem 6 dwa lub trzy obroty do siebie i ponownie sprawdź nitkę.

Położ materiał do szycia próbnego pod stopkę 21 i rozpocznij powoli szycie.

Materiał jest doprowadzany automatycznie.

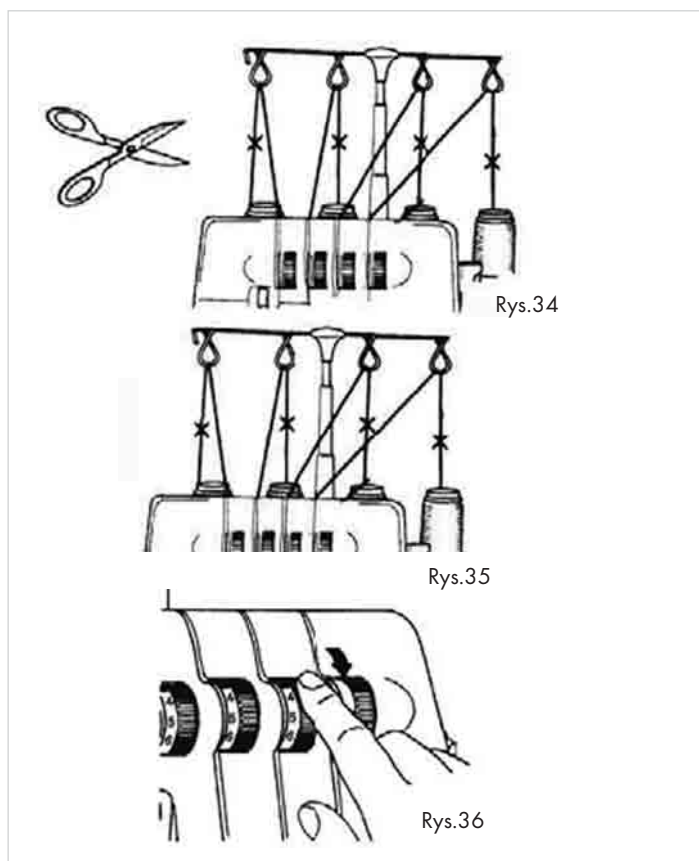
Po zakończonej pracy kontynuuj szycie, aż na końcu materiału powstanie długi na około 5 cm (2") tańcuszek nitki.

Przetnij nitkę nożyczkami.

Zmiana nitki (wiązanie)

W następujący sposób można łatwo zmienić nitkę:

1. Odetnij nitkę nad trzpieniem szpulki ❷ (rys. 34) i załóż nowe szpulki na trzpienie ❷.
2. Zwiąż końce starej i nowej nitki (rys. 35).
3. Nastawnik naciągu nitki ❶/❷/❸/❹ ustaw w położenie „0” (rys. 36) i podnieś stopkę ❺.
4. Pociągnij za drugi koniec nitki, aż węzły przejdą pod stopką ❺.
5. Nawlekając nitki na igłę ciągnij za drugie końce, aż węzły znajdą się w uchach igieł, a następnie odetnij nitkę z lewej i z prawej strony węzła. Następnie nawlecz nową nitkę.



Ustawianie długości ściegu

Długość ściegu możesz ustawiać w zakresie od 1,0 do 4,0 mm. Prawie wszystkie prace techniką overlokową wykonuje się ściegiem o długości 2,5–3,5 mm.

Obracając pokrętłem ❶ (rys. 37) ustaw długość ściegu:

- Do większości prac zaleca się stosowanie ściegu o długości 3 mm.
- Do obróbki cięższych materiałów zaleca się stosowanie ściegu o długości 4 mm.
- Do obróbki lżejszych materiałów zaleca się stosowanie ściegu o długości 2 mm.

W tych ustawieniach uzyskuje się równe szwy a materiał nie marszczy się.

Ustawianie szerokości szwu

Szerokość szwów można ustalić poprzez zmianę położenia igły, a także za pomocą pokrętła regulacji szerokości szwu ❷.

... przy użyciu prawej lub lewej igły

Szerokość szwu można ustalać przy użyciu lewej *lub* prawej nitki.

- Wykorzystywana jest tylko lewa igła: 5,7 mm
- Wykorzystywana jest tylko prawa igła: 3,5 mm



... poprzez obracanie pokrętle regulacji szerokości szwu

Pokrętle regulacji szerokości szwu 24 można ustawiać szerokość szwu w podanych zakresach.

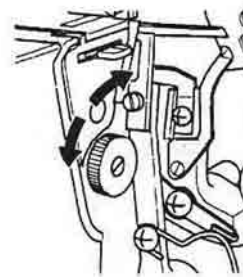
- Wykorzystywana jest tylko lewa igła: 5,2–6,7 mm
- Wykorzystywana jest tylko prawa igła: 3,0–4,5 mm

Ustawianie pokręta regulacji szerokości szwu

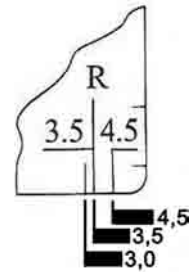
⚠ Uwaga!

Przed przystąpieniem do ustawień pokrętle regulacji szerokości szwu 24 wyłącznik sieciowy 8 obowiązkowo ustaw w położenie „O” (wył.). Uniemożliwi to przypadkowe uruchomienie urządzenia, chroniąc tym samym przed odniesieniem obrażeń!

- Otwórz klapę czołową 10, przez co będzie łatwiejsze ustawianie.
- Pokrętle regulacji szerokości szwu 24 ustaw na żądaną szerokość szwu (rys. 38). Pomagaj sobie przy tym podziałką na płycie ścięgowej 18 (rys. 39).



Rys.38



Rys.39

Ustawianie docisku stopki

Fabrycznie w maszynie docisk stopki jest ustawiony na materiały o średniej ciężkości.

Pracując z cięższymi lub lżejszymi materiałami, należy w następujący sposób wyregulować docisk stopki:

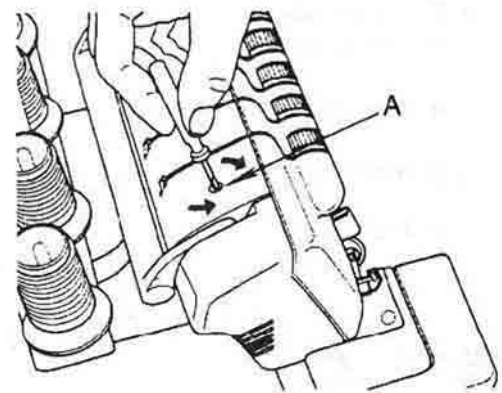
- Przy lżejszych materiałach należy zmniejszyć docisk.
- Przy cięższych materiałach należy zwiększyć docisk.

Do otworu na górze maszyny wsuń maty śrubokręt (rys. 40). Znajduje się tu śruba regulacji docisku (A). Śrubokręt musi pewnie wejść w rowek ła śruby regulacji docisku (B) (rys. 41).

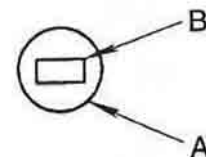
- Obracaj śrubokrętem w kierunku „+” by zwiększyć docisk.
- Obracaj śrubokrętem w kierunku „-” by zmniejszyć docisk.

ⓘ UWAGA:

By przywrócić fabryczne ustawienie docisku, obracaj śrubą regulacyjną docisku do oporu w kierunku odwrotnym do ruchu wskazówek zegara (-). Następnie wykonaj 6 obrotów w kierunku zgodnym z ruchem wskazówek zegara (+). Ustawiony jest standardowy docisk stopki.



Rys.40



Rys.41

Transport różnicowy

Zasada działania

Maszyna jest wyposażona w dwa zespoły zębatek przesuwnych. Oba te zespoły przemieszczają się niezależnie od siebie. Transport różnicowy powoduje, że oba zespoły zębatek mogą się przemieszczać z różnymi prędkościami.

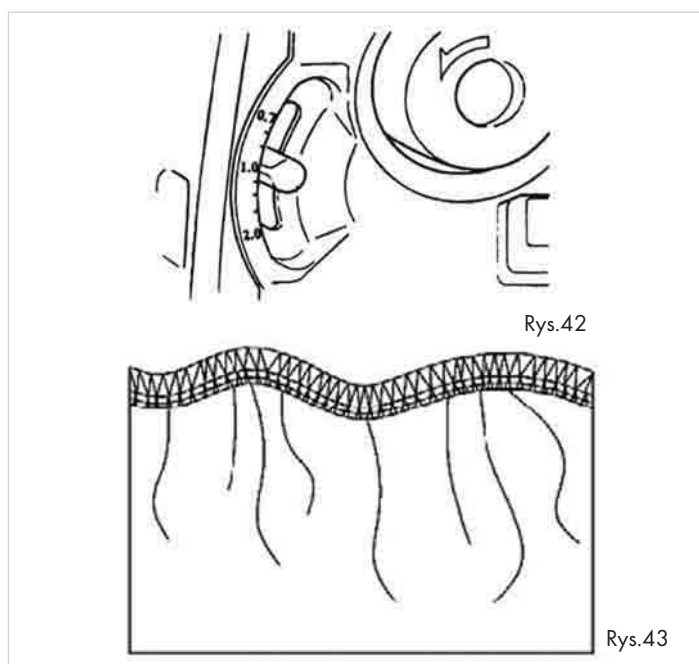
Dzięki temu materiał się rozciąga lub marszczy, w zależności od tego, jaką różnicę transportu ustawi się między przednimi i tylnymi zębatkami przesuwными.

Za pomocą transportu różnicowego można uzyskiwać ciekawe efekty w szyciu ściągami overlokowymi materiałów elastycznych oraz tkanin ciętych po ukosie (rys. 43).

i UWAGA:

Gdy dźwignia transportu różnicowego **9** znajduje się w położeniu „1.0”, stosunek transportu różnicowego wynosi 1:1. Obie zębátky przesuwne przemieszczają się z taką samą prędkością (rys. 42).

Dźwignię transportu różnicowego **9** można ustawiać w zakresie od 1:0,7 do 1:2,0.



Szew overlokowy marszczony – ustawienia

Szew overlokowy marszczony nadaje się do obrzucania rękawów, części górnych pleców, brzegów sukienek itp. wykonanych z materiałów elastycznych, takich jak dzianiny i jersey. Szew należy wykonać przed szyciem pojedynczych fragmentów materiału.

- Dźwignię transportu różnicowego **9** ustaw na wyższą wartość niż 1,0 (rys. 44). Żądane ustawienie zależy od obrabianego materiału, a także od żdanego stopnia zmarszczenia. Z tego powodu zawsze wykonaj szycie próbne, by sprawdzić ustawienia.

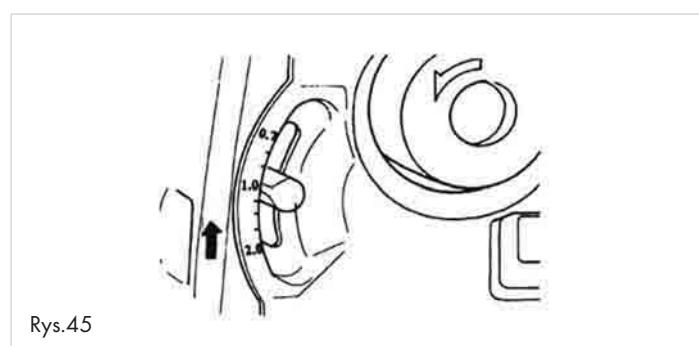
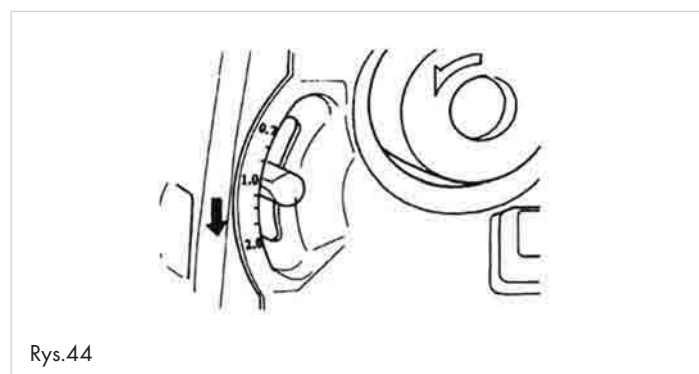
Szew overlokowy rozciągliwy – ustawienia

Szew overlokowy rozciągliwy nadaje się do tworzenia efektów fali w ozdobnych kołnierzykach, rękawach i brzegach sukienek itp. wykonanych z miękkich, rozciągliwych tkanin i dzianin.

- Dźwignię transportu różnicowego **9** ustaw na niższą wartość niż 1,0 (rys. 45). Żądane ustawienie zależy od obrabianego materiału, a także od grubości żdanego „efektu fali”. Z tego powodu zawsze wykonaj szycie próbne, by sprawdzić ustawienia.
- Przytrzymaj lekko szew przed i za stopką **21**, by tkaniny były naciągnięte.

i UWAGA:

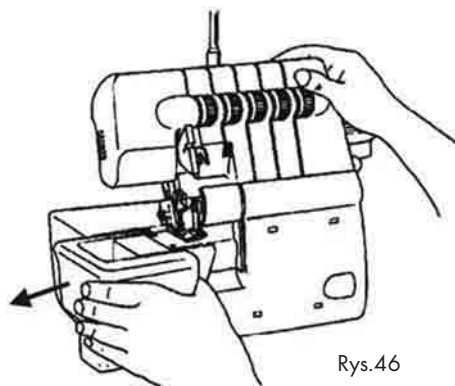
Przy ustawieniu na pokrętle długości ściegu **5** wartości „3” lub wyższej, ustawienie automatycznie wróci do wartości „3”, gdy dźwignia transportu różnicowego zostanie **9** zostanie ustawiona w położenie 2.0.



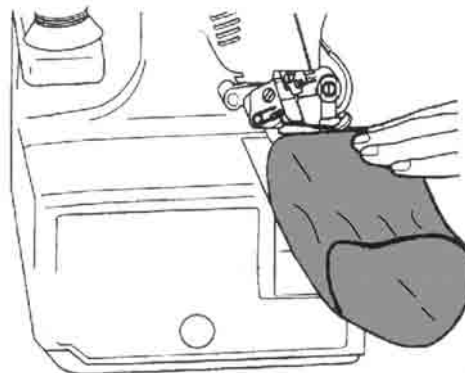
Szycie z wolnym ramieniem

Do komfortowej obróbki rękawów lub nogawek spodni można zdjąć pokrywę wolnego ramienia.

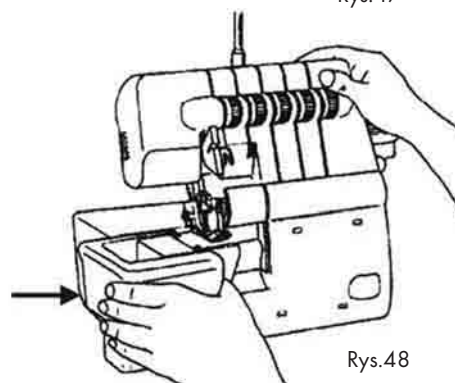
- Odłącz od maszyny pojemnik na odpadki.
- Pokrywą wolnego ramienia przesunij w lewo i ściągnij (rys. 46).
- W tym momencie możesz przeciągać materiały przez wolne ramię 12 i wygodnie je obrabiać (rys. 47).
- By ponownie założyć pokrywę wolnego ramienia, nasunij ją na wolne ramię 12 aż do zatrzaśnięcia (rys. 48).



Rys.46



Rys.47



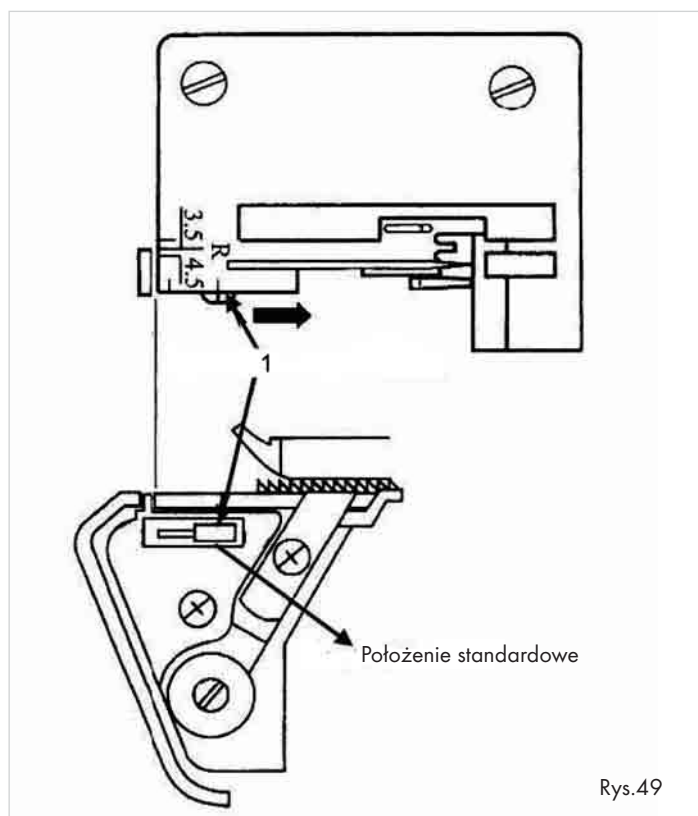
Rys.48

Szwy overlokowe

- Otwórz klapę czołową ⑩.
- Nastawnik szerokości szwu ②③ przestaw w położenie „S”, by palec ściegowy przesunął się do przodu (1)(rys. 49).

① UWAGA:

Nastawnik szerokości szwu ②③ musi być dosunięty do oporu. W przeciwnym wypadku szwy będą wychodziły nierówno.

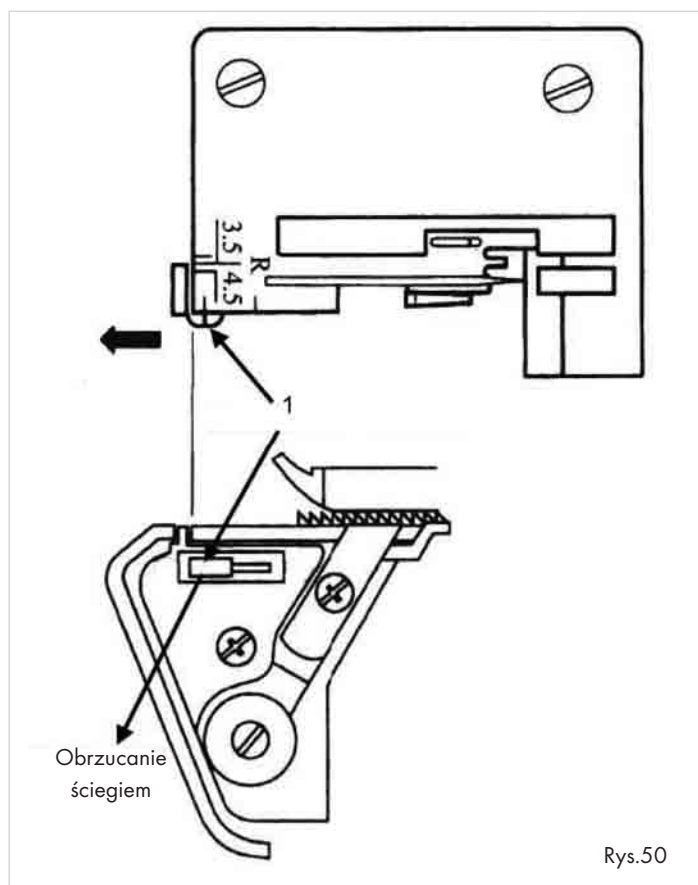


Obrzucanie ściegiem

- Otwórz klapę czołową ⑩.
- Nastawnik szerokości szwu ②③ przestaw w położenie „R”, by palec ściegowy przesunął się do tyłu (1)(rys. 50).

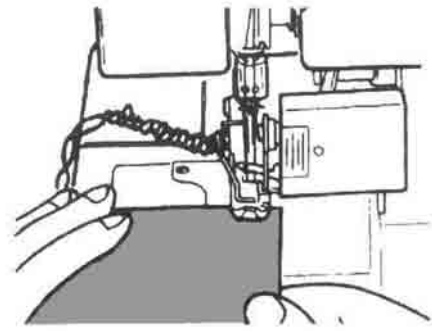
① UWAGA:

Nastawnik szerokości szwu ②③ musi być dosunięty do oporu. W przeciwnym razie szwy będą wychodziły nierówno.

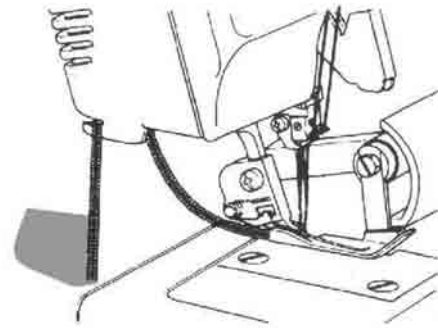


Szycie na okrętce i szycie próbne

- Wszystkie nitki pod stopką ② przełóż do tyłu, lekko w lewo, nad płytką ścięgową ⑬.
- Lekko naciągaj nitki.
- Obróć do siebie koło ⑥ 2-3 obroty, by rozpocząć tworzenie pustego łańcuszka.
- Opuść stopkę ② dźwignią ④.
- Przytrzymaj pusty łańcuszek i z wyczuciem naciśnij pedał, aż pusty łańcuszek będzie miał długość około 5-7,5 cm.
- Włóż materiał od przodu pod stopkę ② i wykonaj szew próbny (rys. 51). Nigdy nie ciągnij za materiał, gdyż mogłoby to spowodować wygięcie, a nawet złamanie igły.
- Kontynuuj szycie po przerobieniu całego materiału jeszcze przez około 15-20 cm.
- Odetnij pusty łańcuszek nożem z tyłu maszyny (rys. 52).



Rys.51



Rys.52

Zalecane ustawienia naciągu

① UWAGA:

Wszystkie informacje o ustawieniach naciągu w różnych rodzajach ściągów są jedynie wartościami orientacyjnymi. Naciąg zależy zawsze od rodzaju i grubości materiału, a także od grubości, rodzaju i składu materiału nitki.

Z tego powodu zawsze trzeba wykonać szycie próbne. Tylko w taki sposób można sprawdzić, czy ustawienia naciągu są prawidłowe, czy jeszcze trzeba dokonać korekty.

2-nitkowy ścieg obrębiający rulonowy (owerlokowy)

Wzór tego ściegu pokazano na rysunku 53.

Ten ścieg z jedną igłą i 2 nitkami stosuje się do obrabiania krawędzi w lekkich lub rozciągliwych materiałach. Dokonując zmiany położenia igły uzyskuje się wąski lub szeroki szew na okrętkę.

Nastawnik naciągu nitki 14 15 16 17 ustaw na odpowiednie wartości (zobacz w tabeli) i na przygotowanym materiale wykonaj szycie próbne.

W tym rodzaju ściegu załóż wkład do górnego chwytacza 19

materiał	naciąg nitki			
	niebieski	zielony	czerwony	żółty
lekki materiał	2,0	-	Zakładanie wkładu do chwytacza górnego	0
średnio ciężki materiał	2,5	-	Zakładanie wkładu do chwytacza górnego	0
ciężki materiał	3,5	-	Zakładanie wkładu do chwytacza górnego	0,5

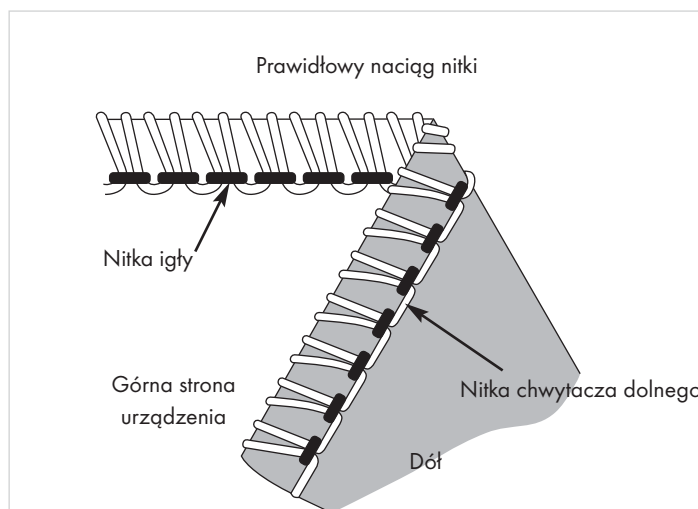
materiał	naciąg nitki			
	niebieski	zielony	czerwony	żółty
lekki materiał	-	1,5	Zakładanie wkładu do chwytacza górnego	0,5
średnio ciężki materiał	-	1,5	Zakładanie wkładu do chwytacza górnego	0,5
ciężki materiał	-	3,0	Zakładanie wkładu do chwytacza górnego	1,5

Gdy nitka chwytacza dolnego wychodzi zbyt ciasno lub nitka igły zbyt luźno (rys. 54):

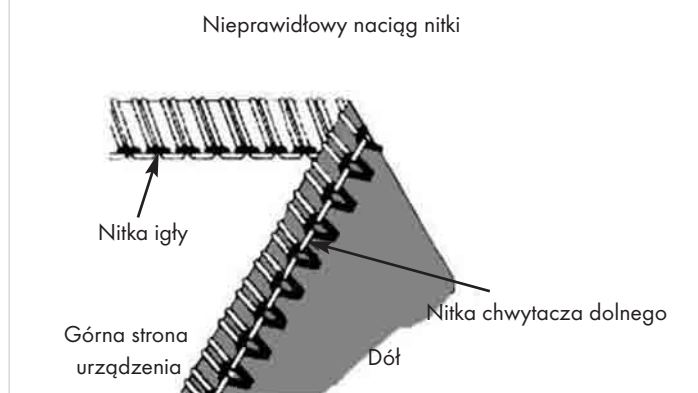
- obróć nastawnik naciągu nitki chwytacza dolnego 17 (żółty) na niższy numer, lub...
- obróć nastawnik naciągu nitki igły (niebieski 14 lub zielony 15) na wyższy numer.

Gdy nitka chwytacza dolnego wychodzi zbyt luźno (rys. 55), obróć nastawnik naciągu nitki chwytacza dolnego 17 (żółty) na wyższy numer.

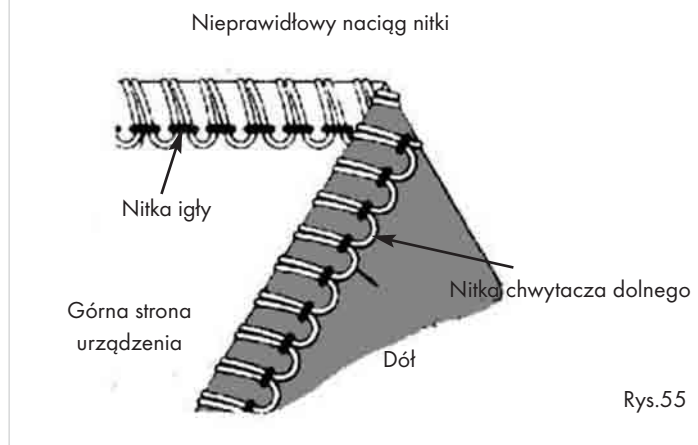
położenie igły	
nastawnik szerokości szwu	S
Długość ściegu	2 - 4
wkład do chwytacza górnego	zakładanie



Rys.53



Rys.54



Rys.55

2-nitkowy ścieg obrzucający

Wzór tego ściegu pokazano na rysunku 56.

Ten ścieg z jedną igłą i dwiema nitkami stosuje się do obrabiania zwykłych materiałów ściegiem obrębiającym. Jest również idealny do szwów płaskich (nakładane podwijane lub czołowe) i obrzucania brzegów.

Dokonując zmiany położenia igły uzyskuje się wąski lub szeroki szew obrębiający.

Nastawnik naciągu nitki 14 15 16 17 ustaw na odpowiednie wartości (zobacz w tabeli) i na przygotowanym materiale wykonaj szycie próbne.

W tym rodzaju ściegu załóż wkład do górnego chwytacza 19.

położenie igły	
nastawnik szerokości szwu	S
Długość ściegu	2 - 4
wkład do chwytacza górnego	zakładanie

materiał	naciąg nitki			
	niebieski	zielony	czerwony	żółty
lekki materiał	0,5	-	Zakładanie wkładu do chwytacza górnego	1,0
średnio ciężki materiał	0,5	-	Zakładanie wkładu do chwytacza górnego	1,5
ciężki materiał	1,0	-	Zakładanie wkładu do chwytacza górnego	1,5

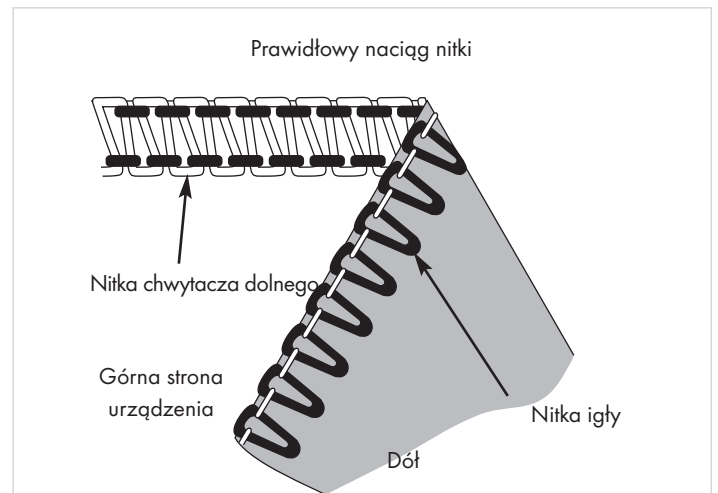
materiał	naciąg nitki			
	niebieski	zielony	czerwony	żółty
lekki materiał	-	1,0	Zakładanie wkładu do chwytacza górnego	3,0
średnio ciężki materiał	-	1,5	Zakładanie wkładu do chwytacza górnego	3,5
ciężki materiał	-	1,5	Zakładanie wkładu do chwytacza górnego	3,5

Gdy nitka chwytacza dolnego znajduje się pod materiałem (rys. 57):

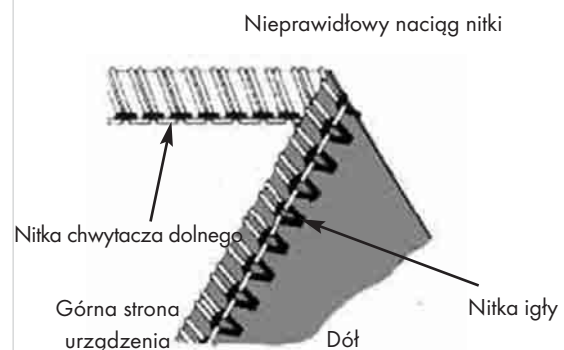
- obróć nastawnik naciągu nitki chwytacza dolnego 17 (żółty) na wyższy numer, lub...
- obróć nastawnik naciągu nitki igły (niebieski 14 lub zielony 15) na niższy numer.

Gdy nitka igły jest zbyt luźna (rys. 58):

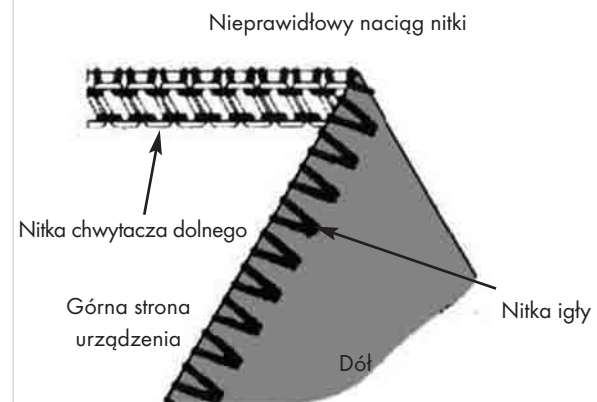
- obróć nastawnik naciągu nitki igły (niebieski 14 lub zielony 15) na wyższy numer.
- obróć nastawnik naciągu nitki chwytacza dolnego 17 (żółty) na niższy numer, lub...



Rys.56



Rys.57



Rys.58

3-nitkowy ścieg obrzucający

Wzór tego ściegu pokazano na rysunku 59.

Ten ścieg z jedną igłą i 3 nitkami stosuje się do obrabiania krawędzi w zwykłych materiałach ściegiem obrębiającym.

Dokonując zmiany położenia igły uzyskuje się wąski lub szeroki szew na okrętkę.

Nastawnik naciągu nitki **14** **15** **16** **17** ustaw na odpowiednie wartości (zobacz w tabeli) i na przygotowanym materiale wykonaj szycie próbne.

położenie igły	
nastawnik szerokości szwu	S
Długość ściegu	2 - 4
wkład do chwytacza górnego	niepotrzebne

materiał	naciąg nitki			
	niebieski	zielony	czerwony	żółty
lekki materiał	2,0	-	2,0	1,0
średnio ciężki materiał	3,0	-	2,0	1,5
ciężki materiał	3,0	-	3,0	1,5

materiał	naciąg nitki			
	niebieski	zielony	czerwony	żółty
lekki materiał	-	2,0	7,0	2,0
średnio ciężki materiał	-	2,5	6,5	2,5
ciężki materiał	-	3,5	6,5	2,5

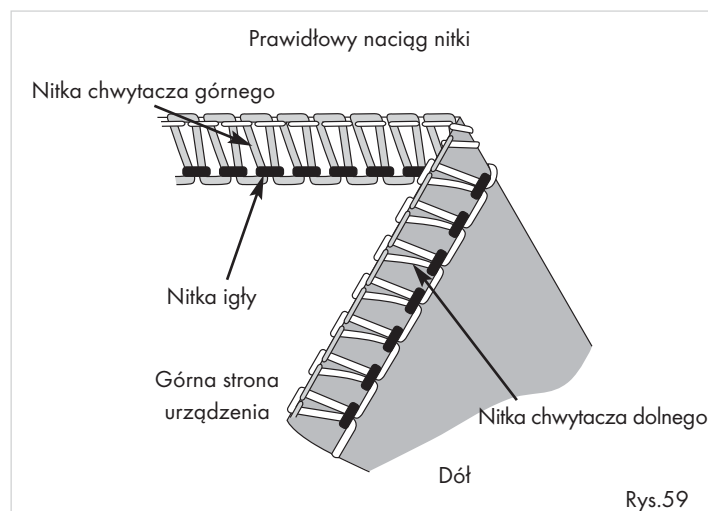
Gdy nitka chwytacza górnego znajduje się pod materiałem (rys. 60):

- obróć nastawnik naciągu nitki **16** chwytacza górnego (czerwony) na wyższy numer, lub...
- obróć nastawnik naciągu nitki chwytacza dolnego **17** (żółty) na niższy numer, lub...

Gdy nitka chwytacza dolnego znajduje się nad materiałem (rys. 61):

- obróć nastawnik naciągu nitki chwytacza dolnego **17** (żółty) na wyższy numer, lub...
- obróć nastawnik naciągu nitki **16** chwytacza górnego (czerwony) na niższy numer.

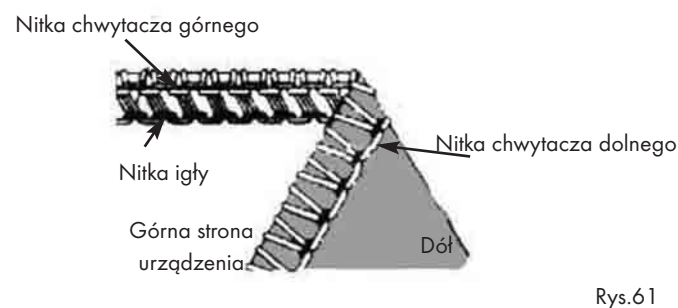
Gdy nitka igły wychodzi zbyt luźno (rys. 55), obróć nastawnik naciągu nitki igły (niebieski **14** lub zielony **15**) na niższy numer.



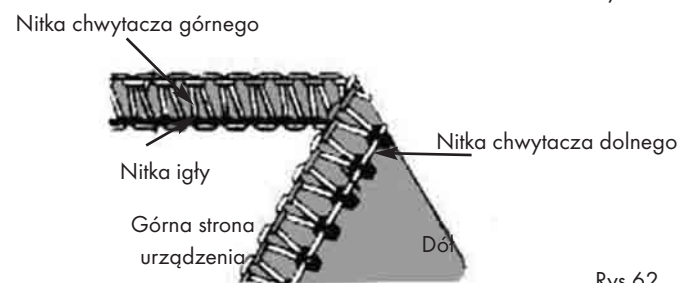
Rys.59



Rys.60



Rys.61



Rys.62

3-nitkowy szew płaski typu flatlock

Wzór tego ściegu pokazano na rysunku 63.

Ten ścieg z jedną igłą i 3 nitkami stosuje się do szwów nakładanych podwijanych lub czółowych i ściegów wykonywanych nitkami dekoracyjnymi. Dokonując zmiany położenia igły uzyskuje się wąski lub szeroki szew płaski typu flatlock.

Nastawnik naciągu nitki 14 15 16 17 ustaw na odpowiednie wartości (zobacz w tabeli) i na przygotowanym materiale wykonaj szycie próbne.

materiał	naciąg nitki			
	niebieski	zielony	czerwony	żółty
lekki materiał	0,5	-	2,5	2,5
średnio ciężki materiał	0,5	-	2,0	2,0
ciężki materiał	1,0	-	3,0	3,0

materiał	naciąg nitki			
	niebieski	zielony	czerwony	żółty
lekki materiał	-	0	7,0	4,0
średnio ciężki materiał	-	0,5	7,0	4,0
ciężki materiał	-	1,0	7,0	4,0

Gdy nitka chwytacza dolnego jest zbyt luźna (rys. 64):

- obróć nastawnik naciągu nitki chwytacza dolnego 17 (żółty) na wyższy numer, lub...
- obróć nastawnik naciągu nitki igły (niebieski 14 lub zielony 15) na niższy numer.

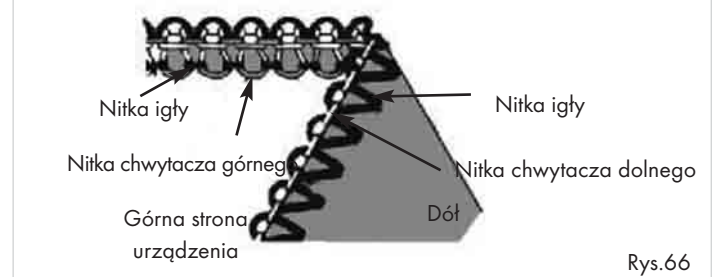
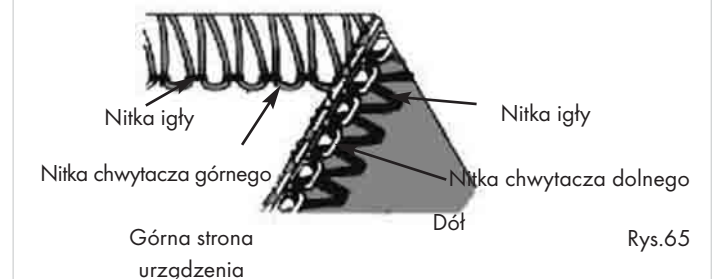
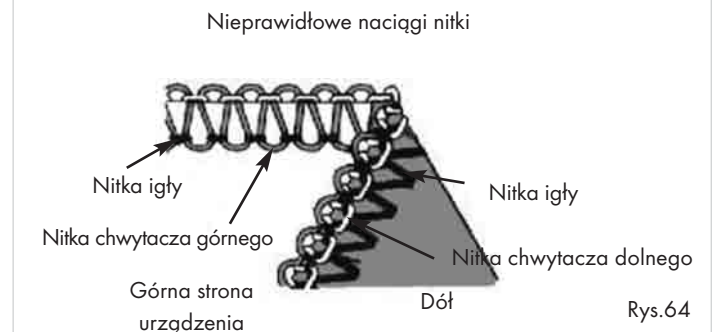
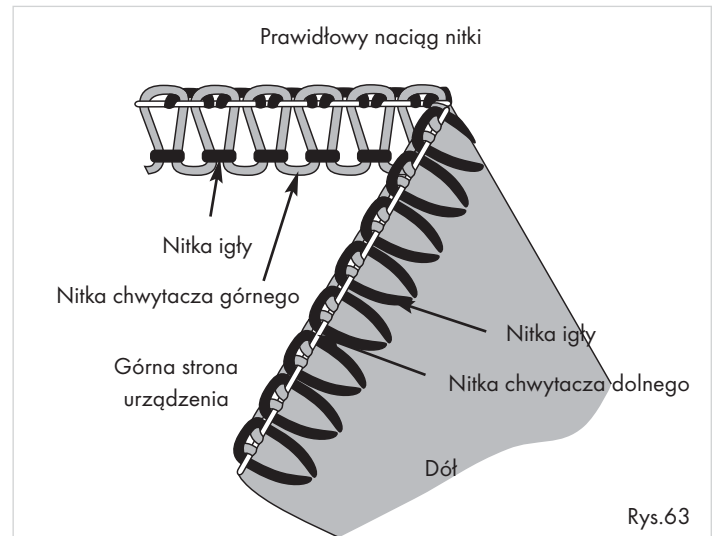
Gdy nitka chwytacza górnego jest zbyt luźna (rys. 65):

- obróć nastawnik naciągu nitki 16 (czerwony) na wyższy numer, lub...
- obróć nastawnik naciągu nitki igły (niebieski 14 lub zielony 15) na niższy numer.

Gdy nitka igły jest zbyt luźna (rys. 66):

- obróć nastawnik naciągu nitki igły (niebieski 14 lub zielony 15) na wyższy numer.
- obróć nastawnik naciągu nitki chwytacza górnego 16 (czerwony) na niższy numer.

położenie igły	
nastawnik szerokości szwu	S
Długość ściegu	2 - 4
wkład do chwytacza górnego	niepotrzebne



3-nitkowy ścieg obrzucający rulonowy (owerłokowy)

Wzór tego ściegu pokazano na rysunku 67.

Ten ścieg z jedną igłą i 3 nitkami stosuje się na przykład do obszycia dekoracyjnego brzegów.

Dokonując zmiany położenia igły uzyskuje się wąski lub szeroki szew obrzucający na okrętkę.

Nastawnik naciągu nitki 14 15 16 17 ustaw na odpowiednie wartości (zobacz w tabeli) i na przygotowanym materiale wykonaj szycie próbne.

materiał	naciąg nitki			
	niebieski	zielony	czerwony	żółty
lekki materiał	2,0	-	0	4,0
średnio ciężki materiał	3,0	-	0,5	6,5
ciężki materiał	4,0	-	0,5	7,5

materiał	naciąg nitki			
	niebieski	zielony	czerwony	żółty
lekki materiał	-	1,5	0	5,0
średnio ciężki materiał	-	2,5	1,0	7,0
ciężki materiał	-	3,0	1,5	8,0

Gdy nitka chwytnicza górnego jest zbyt luźna (rys. 68):

- obróć nastawnik naciągu nitki chwytnicza górnego 16 (czerwony) na wyższy numer.

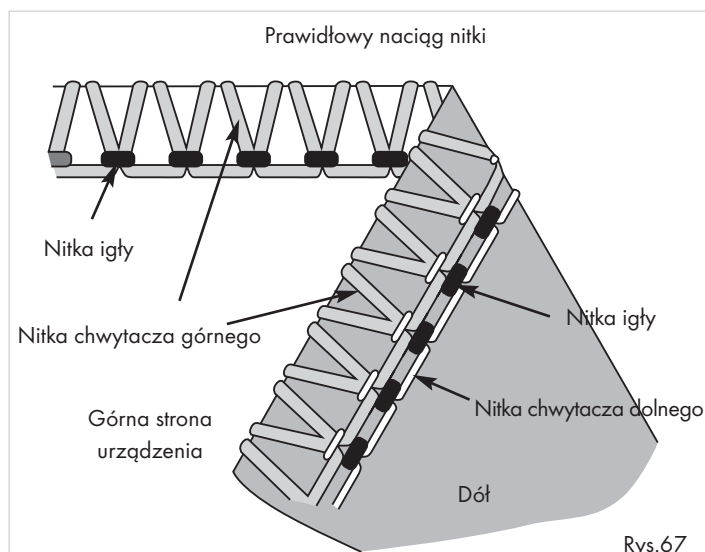
Gdy nitka chwytnicza dolnego jest zbyt luźna (rys. 69):

- obróć nastawnik naciągu nitki chwytnicza dolnego 17 (żółty) na wyższy numer, lub...
- obróć nastawnik naciągu nitki chwytnicza górnego 16 (czerwony) na niższy numer.

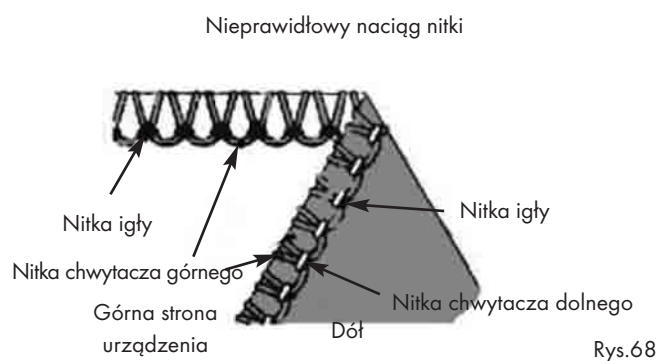
Gdy nitka igły jest zbyt luźna (rys. 70):

- obróć nastawnik naciągu nitki igły (niebieski 14 lub zielony 15) na wyższy numer.
- obróć nastawnik naciągu nitki chwytnicza górnego 16 (czerwony) na niższy numer.

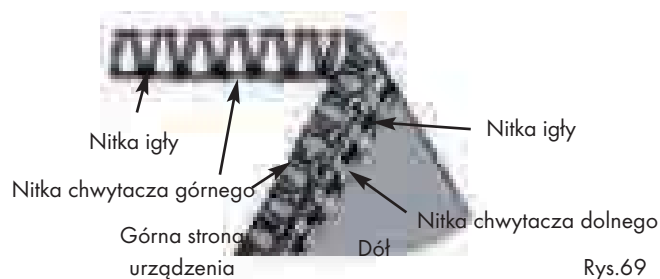
położenie igły	
nastawnik szerokości szwu	S
Długość ściegu	2 - 4
wkład do chwytnicza górnego	niepotrzebne



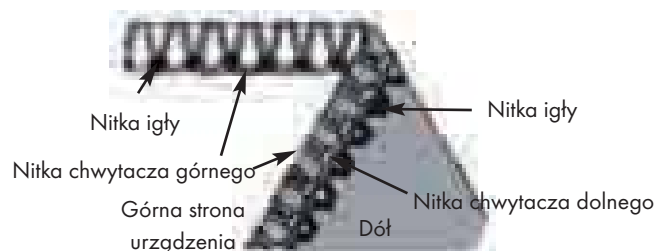
Rys.67



Rys.68



Rys.69



Rys.70

3-nitkowy ścieg zabezpieczający, bardzo rozciągliwy, imitowany

Wzór tego ściegu pokazano na rysunku 71.

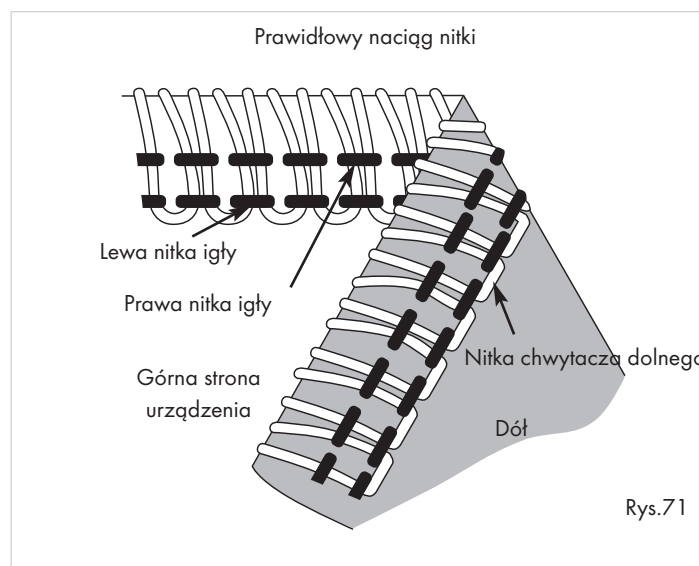
Ten ścieg z 2 igłami i 3 nitkami nadaje się idealnie do lekkich, bardzo mocno rozciągliwych materiałów, takich jak np. trykot i elastyna.

Nastawnik naciągu nitki 14 15 16 17 ustaw na odpowiednie wartości (zobacz w tabeli) i na przygotowanym materiale wykonaj szycie próbne.

W tym rodzaju ściegu załóż wkład do górnego chwytacza 19.

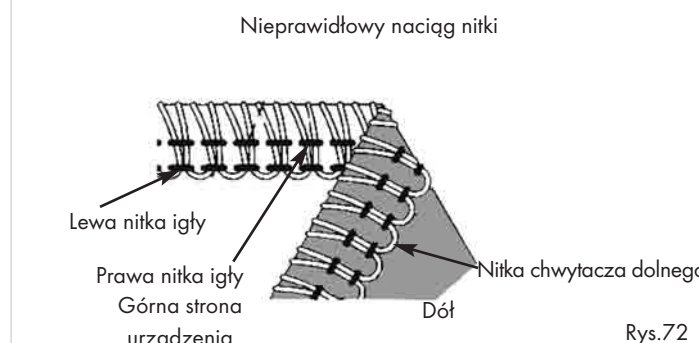
położenie igły	
nastawnik szerokości szwu	S
Długość ściegu	2 - 4
wkład do chwytacza górnego	zakładanie

materiał	naciąg nitki			
	niebieski	zielony	czerwony	żółty
lekki materiał	2,0	1,5	Zakładanie wkładu do chwytacza górnego	0
średnio ciężki materiał	3,0	2,0	Zakładanie wkładu do chwytacza górnego	0,5
ciężki materiał	4,0	3,0	Zakładanie wkładu do chwytacza górnego	1,0



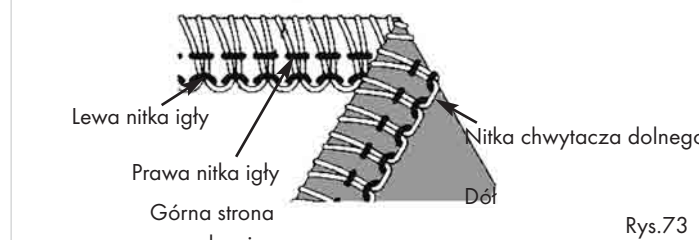
Gdy nitka chwytacza dolnego jest zbyt luźna (rys. 72):

- obróć nastawnik naciągu nitki chwytacza dolnego 17 (żółty) na wyższy numer.



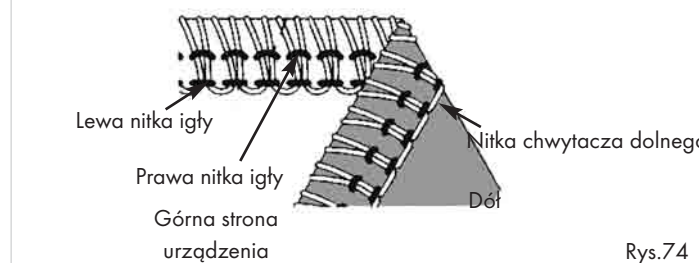
Gdy lewa nitka igły jest zbyt luźna (rys. 73):

- obróć nastawnik naciągu nitki lewej igły 14 (niebieski) na wyższy numer.



Gdy prawa nitka igły jest zbyt luźna (rys. 74):

- obróć nastawnik naciągu nitki prawej igły 15 (zielony) na wyższy numer.



4-nitkowy ścieg zabezpieczający, bardzo rozciągliwy, imitowany

Wzór tego ściegu pokazano na rysunku 75.

Ten ścieg z 2 igłami i 4 nitkami nadaje się idealnie do średnich i ciężkich, mocno rozciągliwych materiałów, takich jak np. dzianiny podwójne i stroje do pływania.

Służy do łączenia dwóch materiałów i jednocześnie do obrabiania krawędzi.

Nastawnik naciągu nitki **14** **15** **16** **17** ustaw na odpowiednie wartości (zobacz w tabeli) i na przygotowanym materiale wykonaj szycie próbne.

materiał	naciąg nitki			
	niebieski	zielony	czerwony	żółty
lekki materiał	2,5	2,0	2,5	2,0
średnio ciężki materiał	3,0	2,0	3,0	2,0
ciężki materiał	4,0	2,5	4,0	2,5

Gdy nitka chwytnicza górnego znajduje się pod materiałem (rys. 76):

- obróć nastawnik naciągu nitki **16** (czerwony) na wyższy numer, lub...
- obróć nastawnik naciągu nitki chwytnicza dolnego **17** (żółty) na niższy numer, lub...

Gdy nitka chwytnicza dolnego znajduje się nad materiałem (rys. 77):

- obróć nastawnik naciągu nitki chwytnicza dolnego **17** (żółty) na wyższy numer, lub...
- obróć nastawnik naciągu nitki chwytnicza górnego **16** (czerwony) na niższy numer.

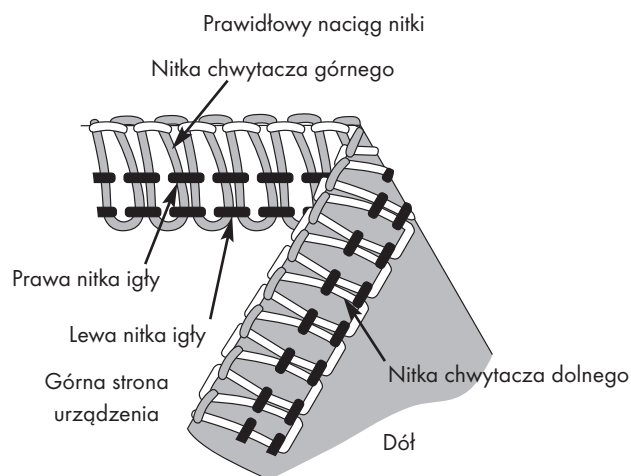
Gdy lewa nitka igły jest zbyt luźna (rys. 78):

- obróć nastawnik naciągu nitki lewej igły **14** (niebieski) na wyższy numer.

Gdy prawa nitka igły jest zbyt luźna (rys. 79):

- obróć nastawnik naciągu nitki prawej igły **15** (zielony) na wyższy numer.

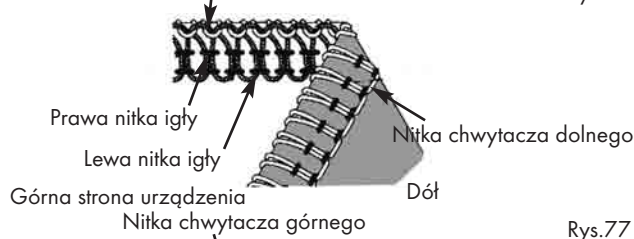
położenie igły	
nastawnik szerokości szwu	S
Długość ściegu	2 - 4
wkład do chwytnicza górnego	niepotrzebne



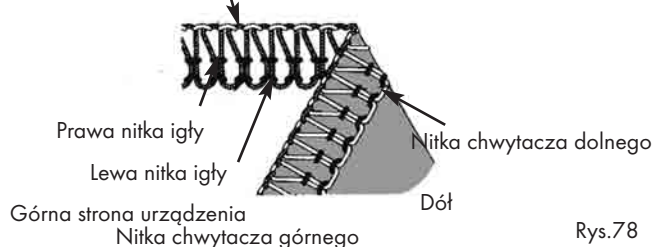
Rys.75



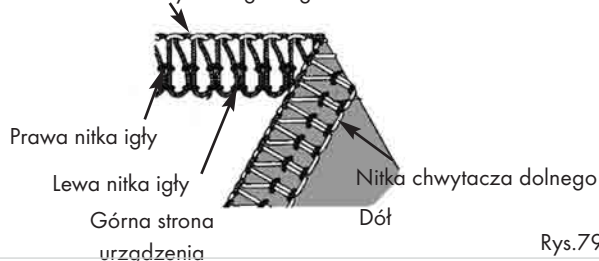
Rys.76



Rys.77



Rys.78



Rys.79

Obrzucanie ścięgiem

Maszyna może szyc czterema różnymi rodzajami szwów obrębiających rulonowych. W szyciu obrębiającym rulonowym zakłada się krawędź materiału, a następnie brzeg przeszywa się szwem overlokowym. Do tego rodzaju przeszywania nadają się najlepiej lekkie materiały, takie jak batyst, szyfon, organza itp.. Ciężkich materiałów lub sztywnych tkanin nie należy obszywać szwem obrębiającym rulonowym.

- Wyjmij lewą igłę.
- Nastawnik szerokości szwu 23 przestaw w położenie „R” (rys. 80).
- Wyrównaj płytkę palca ścięgowego z zaznaczeniem „R” na płycie ścięgowej, obracając w tym celu nastawnik szerokości szwu 24 (rys. 81).
- Pokrętko długości ścięgu 5 przestaw w położenie „F - 2” (rys. 82). Dzięki temu szew będzie bardzo drobny.
- Do obszywania szwem obrębiającym rulonowym używaj igieł o nr 14.

Wskazówki:

- W szyciu obrębiającym można wykorzystywać różne kombinacje nitki. W celu uzyskania wyjątkowo ładnego szwu obrębiającego (3-nitkowy), użyj przędzy puszystej (przędza poliamidowa/Woolly Nylon) jako nitki chwytacza górnego i zwykłej nitki do igły i chwytacza górnego. W szyciu obrębiającym 2-nitkowym użyj przędzy puszystej jako nitki chwytacza dolnego i zwykłej nitki do igły.
- Na początku szycia przytrzymaj pusty łańcuszek, by nie mógł się wplątać w szew.
- Naciągnij z wycuciem materiał w kierunku szycia. Szew będzie przez to drobniejszy.
- Przed odcięciem pustego łańcuszka blisko materiału, nanieś kroplę kleju do materiałów na szew i zaczekaj do wyschnięcia. Najpierw sprawdź zgodność kolorystyki na materiale.

3-nitkowe obrzucanie ścięgiem

Wzór tego ścięgu pokazano na rysunku 83.

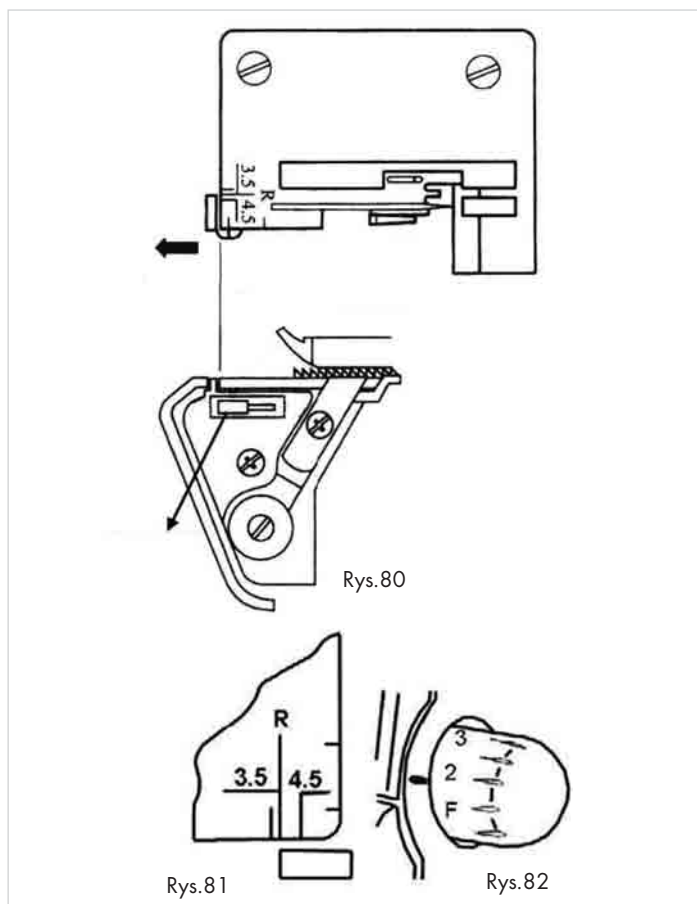
Nitka chwytacza górnego	naciąg nitki			
	niebieski	zielony	czerwony	żółty
Poliester	-	2,0	7,5	3,0
Przędza puszysta	-	2,0	2,0	2,0

Nastawnik naciągu nitki 15 16 17 ustaw na odpowiednie wartości (zobacz w tabeli) i na przygotowanym materiale wykonaj szycie próbne.

3-nitkowe obrzucanie ścięgiem rulonowe chwytaczem górnym

Wzór tego ścięgu pokazano na rysunku 84. Nastawnik naciągu nitki 15 16 17 ustaw na odpowiednie wartości (zobacz w tabeli) i na przygotowanym materiale wykonaj szycie próbne.

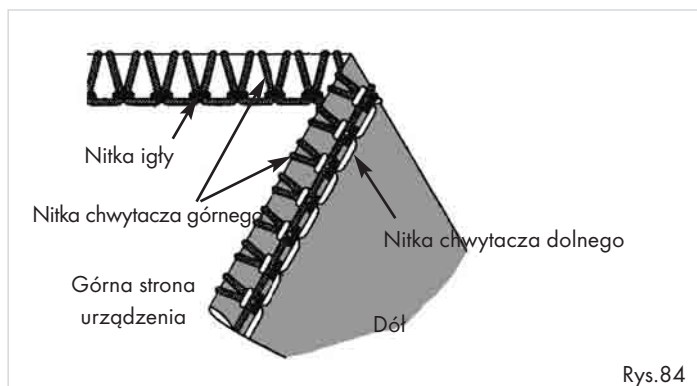
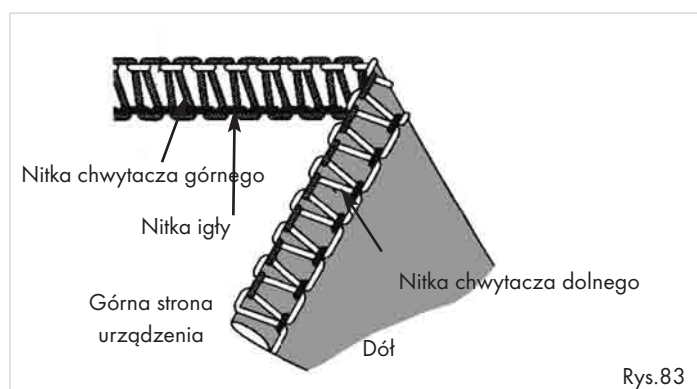
Nitka chwytacza górnego	naciąg nitki			
	niebieski	zielony	czerwony	żółty
Poliester	-	2,0	5,5	7,0
Przędza puszysta	-	2,0	0	2,5



Rys.81

Rys.82

położenie igły	
nastawnik szerokości szwu	R
Długość ścięgu	F - 2
wkład do chwytacza górnego	niepotrzebne




2-nitkowe obrzucanie ścięciem

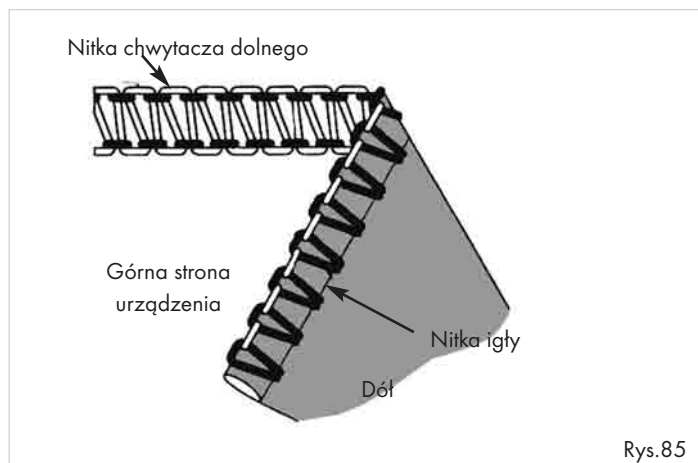
Wzór tego ścięgu pokazano na rysunku 85.

Nastawnik naciągu nitki 15 17 ustaw na odpowiednie wartości (zobacz w tabeli) i na przygotowanym materiale wykonaj szycie próbne.

W tym rodzaju ścięgu załóż wkład do górnego chwytacza 19.

Nitka chwytacza dolnego	naciąg nitki			
	niebieski	zielony	czerwony	żółty
Przędza puszysta	-	1,5	Zakładanie wkładu do chwytacza górnego	1,5

położenie igły	
nastawnik szerokości szwu	R
Długość ścięgu	F - 2
wkład do chwytacza górnego	zakładanie



Rys.85


2-nitkowe obrzucanie ścięciem rulonowe chwytaczem dolnym

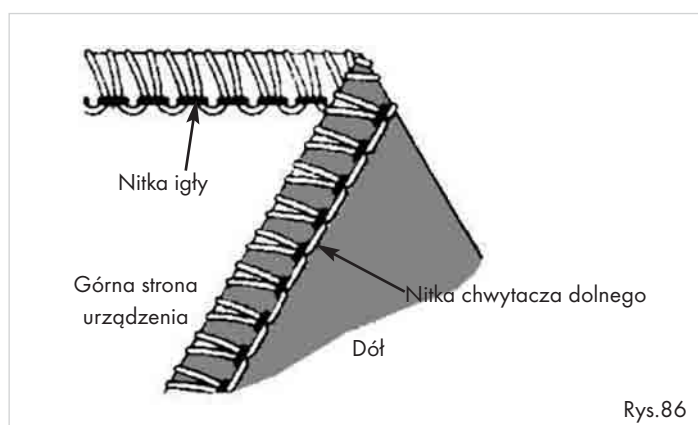
Wzór tego ścięgu pokazano na rysunku 86.

Nastawnik naciągu nitki 15 17 ustaw na odpowiednie wartości (zobacz w tabeli) i na przygotowanym materiale wykonaj szycie próbne.

W tym rodzaju ścięgu załóż wkład do górnego chwytacza 19.

Nitka chwytacza dolnego	naciąg nitki			
	niebieski	zielony	czerwony	żółty
Poliester	-	2,0	Zakładanie wkładu do chwytacza górnego	2,0
Przędza puszysta	-	1,5	Zakładanie wkładu do chwytacza górnego	1,5

położenie igły	
nastawnik szerokości szwu	R
Długość ścięgu	F - 2
wkład do chwytacza górnego	zakładanie



Rys.86

Szwy płaskie dekoracyjne typu flatlock

W celu wykonania szwów typu flatlock, ustaw naciąg nitki na 3-nitkowy ścieg overlokowy. Wykonaj szew, a następnie rozciągnij materiał, by wygładzić szew.

Szew typu flatlock można wykorzystywać jako dekoracyjny szew montażowy lub jako zwykły szew ozdobny (rys. 87, ciemna nitka).

📌 Wskazówki:

- Zwracaj uwagę na prawidłowy naciąg nitki, umożliwiający odpowiednie rozciągnięcia materiału po zszyciu.
- Do chwytacza górnego użyj nitki dekoracyjnej, gdyż jest to najważniejsza nitka i najwięcej jej widać.

1. Zdejmij prawą wzgl. lewą igłę (rys. 88).

2. Ustaw zalecany naciąg 3-nitkowego szwu overlokowego (rys. 89).

3. Następnie ustaw luźniej naciągi nitek górnych (zielony wzgl. niebieski).

4. Teraz popuść trochę również naciąg nitki chwytacza górnego (czerwony).

5. Następnie ustaw mocniej naciąg nitki chwytacza dolnego (żółty).

Szew płaski typu flatlock jako szew montażowy

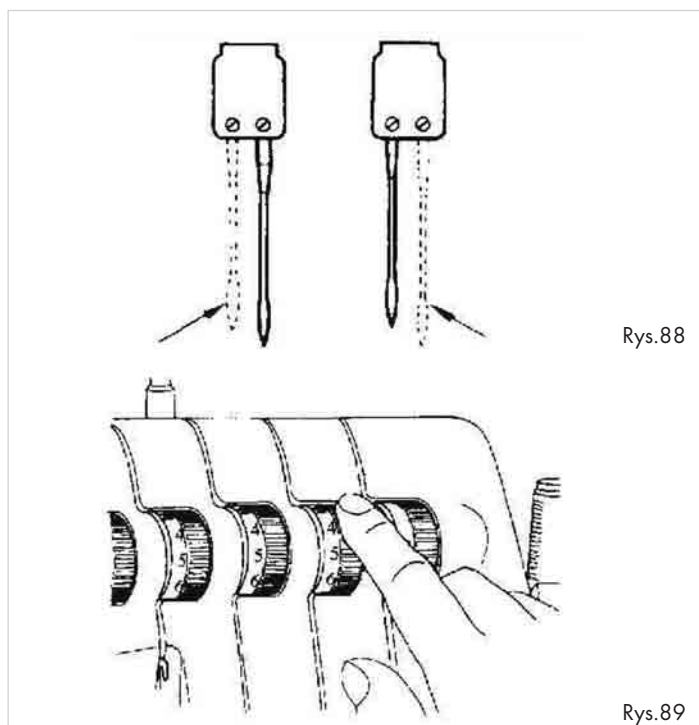
- Oba zszywane kawałki materiałów złożź ze sobą lewymi stronami, by na prawej stronie wykonać dekoracyjny szew.
- Wykonaj szew i odetnij naddatek materiału (rys. 90).

Wzór tego ściegu pokazano na rysunku 91.

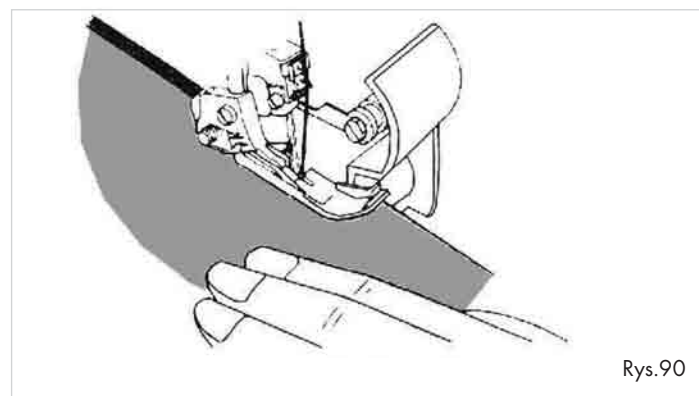
- Bieg nitki górnej (igły) (zielona lub niebieska) będzie miał wtedy kształt litery V.
- Nitka chwytacza dolnego będzie biegła po linii prostej przy krawędzi materiału.
- Rozciągnij materiał po obu stronach szwu tak, by ściegi ułożyły się płasko.



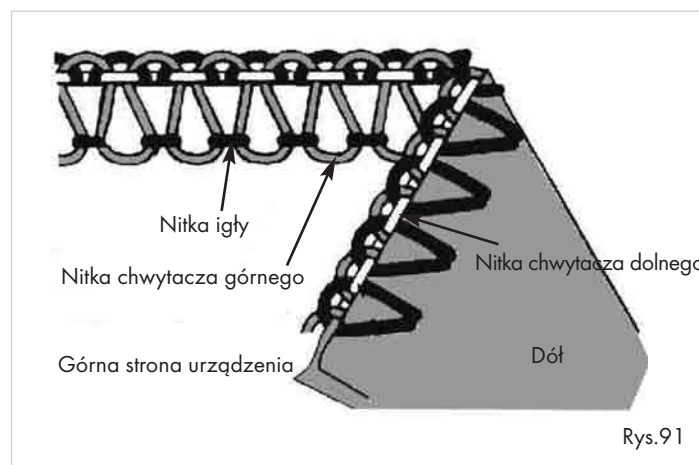
Rys.87



Rys.88



Rys.90

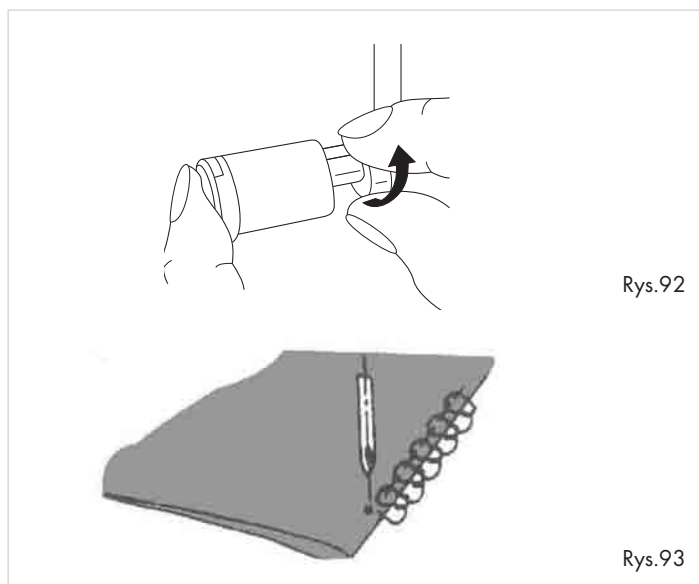


Rys.91

Szew płaski jako szew dekoracyjny

- Ruchomy nóż górny **18** przestaw w położenie spoczynkowe (rys. 92). W tym rodzaju szwu materiał nie jest przycinany.
- Materiał złóż w taki sposób, by obie lewe strony leżały jedna na drugiej.

- Połóż materiał w taki sposób, by część ścięgu była wykonywana poza materiałem (rys. 93).
- Wykonaj szew.
- Następnie rozciągnij materiał. Ściegi układają się płasko.



Rys.92

Rys.93

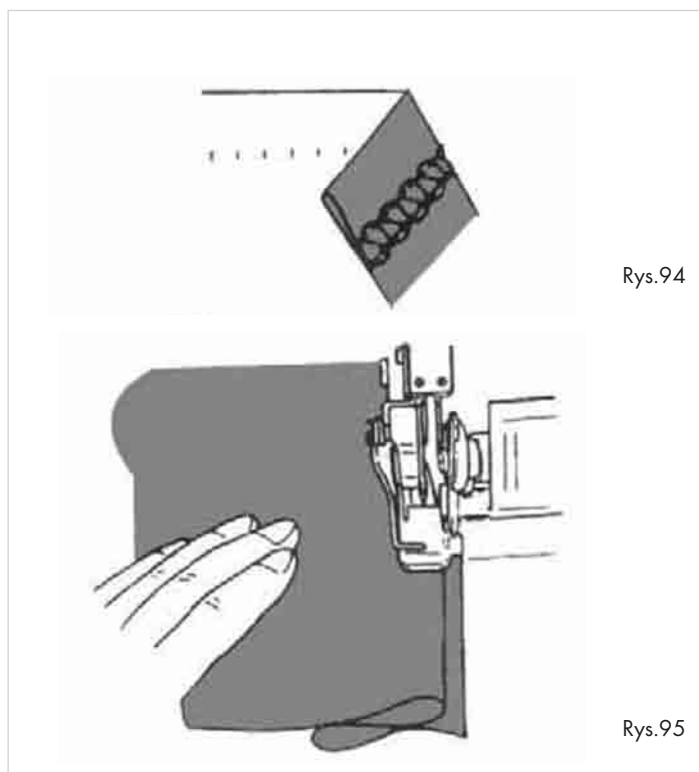
Owerlokowe obrzucanie brzegów

Owerlokowe obrzucanie brzegów nadaje się najlepiej do dzianiny.

Powstaje wytrzymałe wykończenie brzegu, które jednocześnie jest niemal niewidoczne (rys. 94).

W jednej operacji odcinany jest naddatek materiału, a także wykonywane jest obrzucenie brzegu oraz szew owerlokowy.

1. Zdejmij lewą igłę, a następnie ustaw maszynę na wąski 3-nitkowy szew owerlokowy.
2. Długość ścięgu ustaw na 4.
3. Brzeg załóż z prawej, a następnie z lewej strony materiału tak, by brzeg wystawał 6 mm za pierwsze zagięcie (rys. 95).
4. Ostrożnie wykonaj szew na zakładce. Igła musi się przy tym wbijać równo w brzeg zakładki.



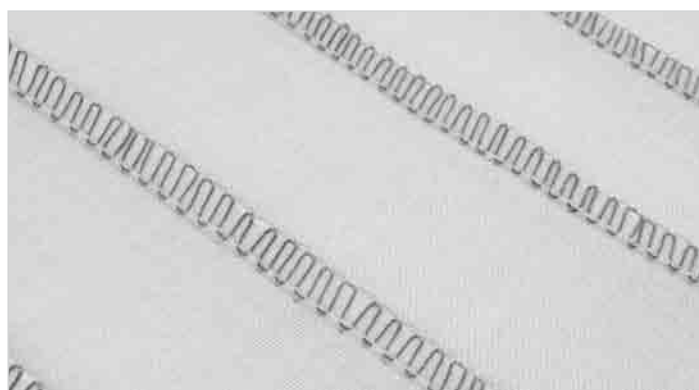
Rys.94

Rys.95

Pasemka

Przed przycięciem materiału możesz umieścić dekoracyjne pasemka (rys. 96). Pasemka są to ozdobne szwy, zobacz rysunek 96.

1. Zdejmij lewą igłę, a następnie ustaw maszynę na wąski 3-nitkowy szew owerlokowy.
2. Nóż górny **18** przestaw w położenie spoczynkowe.
3. By uzyskać równy efekt, zmywalnym pisakiem lub kredą nakreśl odpowiednią liczbę pasemek na materiale.
4. Załóż materiał na lewą stronę i zszyj.
5. Po zszyciu wszystkich pasemek, przeprasuj je w jednym kierunku, by zostały równo spłaszczone.

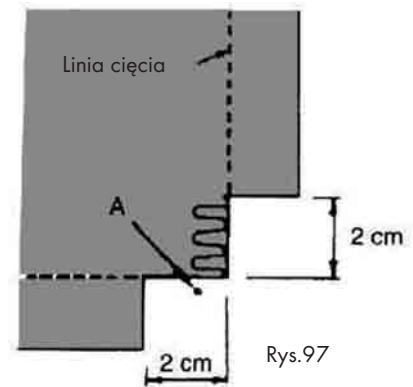


Rys.96

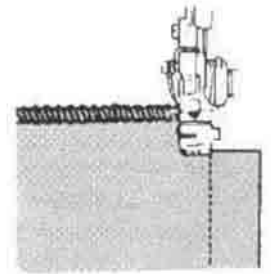
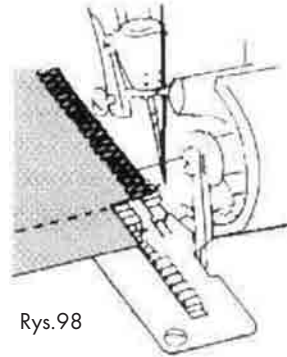
Szycie narożników

Narożniki zewnętrzne

1. Przed i za narożnikiem odetnij materiał około 2 cm do linii szwu (rys. 97).
2. Wykonaj ścieg dalej aż do zaznaczenia „A” na rysunku i zatrzymaj się tam (rys. 97).

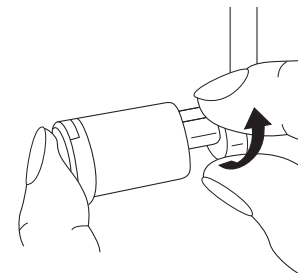


3. Unieś igłę ze stopką 21.
4. Pociągnij materiał do tyłu tak, by zwolnić nitkę, trzymaną przez palec płytki ścięgowej 13. (W celu lepszej orientacji, na rysunku obok nie pokazano stopki 21 – rys. 98).
5. Obróć materiał i opuść stopkę 21 tak, by nóż górny 18 znalazł się na jednej linii z brzegiem cięcia (rys. 99).
6. Wyciągnij luźne nitki do góry i kontynuuj szycie.

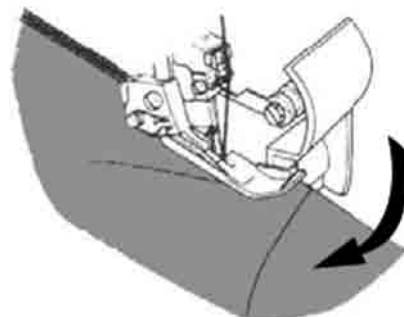
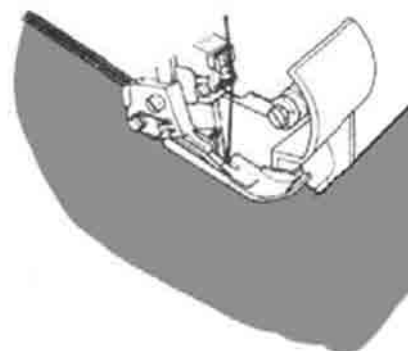


Narożniki wewnętrzne

1. Odetnij materiał przy brzegu.
2. Nóż górny 18 przestaw w położenie spoczynkowe (rys. 100).



3. Wykonaj szycie na brzegu cięcia (rys. 101).
4. Krótco przed narożnikiem zatrzymaj szycie.
5. W narożniku wykonaj zakładkę tak, by obie krawędzie tworzyły jedną linię (rys. 102).
6. Przeszyj powoli drugi brzeg przez narożnik. Zwróć przy tym uwagę, by nie chwycić zakładki!



Wskazówki i porady

Fastrygowanie

Igły wkładaj zawsze z lewej strony stopki 21 (rys. 103). W ten sposób igły nie znajdują się w obszarze cięcia noży 18 22 i można je łatwo wyjmować.

⚠ Uwaga! Ryzyko uszkodzenia urządzenia!

Nigdy nie szuj przez igły ani inne twarde materiały. Noże 18 22 mogą ulec trwałemu uszkodzeniu!

Zabezpieczanie pustego łańcuszka

By nie dopuścić do rozwiązania pustego łańcuszka, nawlec go na igłę do szycia ręcznego. Igłę wbij w koniec szwu w celu zabezpieczenia łańcuszka.

Wzmacnianie szwu

Szew można wzmocnić poprzez wszycie taśmy usztywniającej.

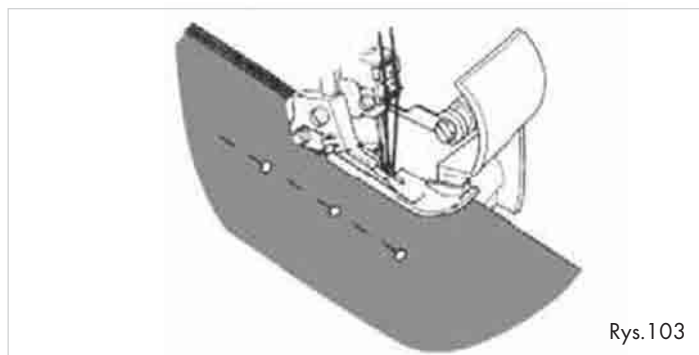
W tym celu doprowadź taśmę przez szczelinę w części przedniej stopki 21 (rys. 104).

Taśmę połóż pod stopkę do tyłu i wykonaj szew. Dzięki temu taśma jest przeszzywana razem ze szwem (rys. 105).

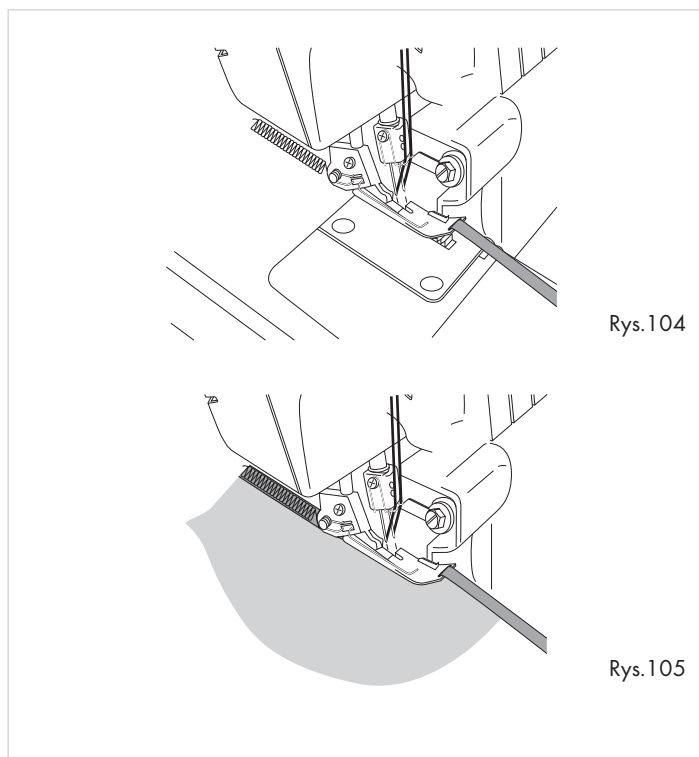
Naszywki

1. Nóż górny 18 przestaw w położenie spoczynkowe.
2. Wyjmij prawą igłę z nitką.
3. Wstawkę kordonkową (nitkę lub tasiemkę) przeciągnij przez przedni obszar stopki 21 (rys. 106).
4. Wstawkę kordonkową połóż pod stopką 21 przesyj ściegiem okrętowym na określoną długość (rys. 107).

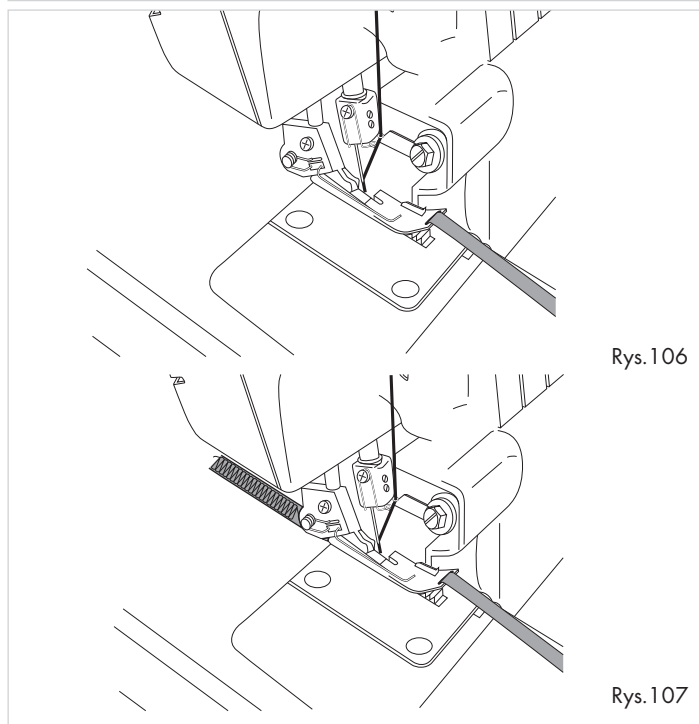
Naszywki przesyte ściegiem okrętowym możesz stosować oddzielnie lub zaplatać ze sobą większą ilość.



Rys.103



Rys.104



Rys.106

Rys.107

Konserwacja i czyszczenie

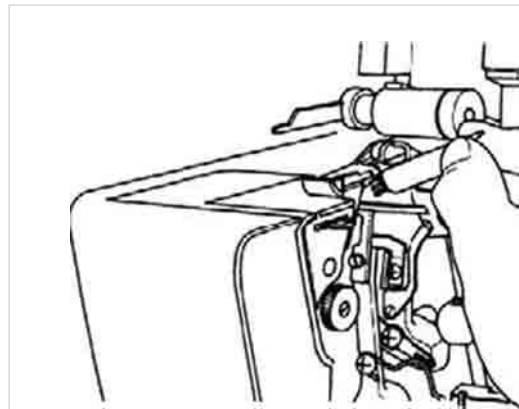
⚠ Uwaga!

Przed czyszczeniem lub konserwacją wyciągnij wtyczkę sieciową z gniazdka zasilania. Uniemożliwi to przypadkowe uruchomienie urządzenia. W przeciwnym razie powstaje niebezpieczeństwo odniesienia obrażeń!

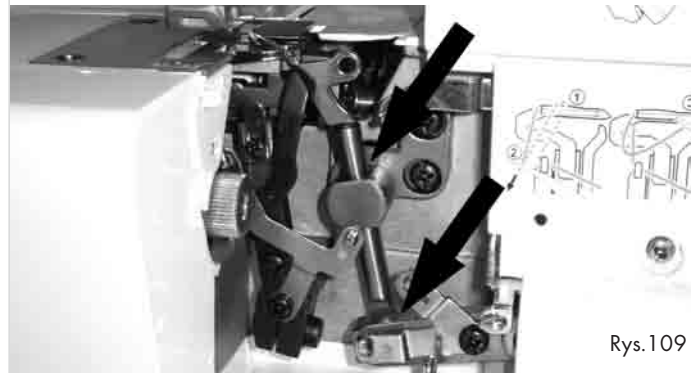
Czyszczenie i smarowanie

- Regularnie usuwaj kurz i kłaczki z okolicy chwytaczy i noży. Używaj do tego dołączonego pędzelka (rys. 108).
- Maszynę czyść wyłącznie za pomocą wilgotnej szmatki.

- Regularnie smaruj maszynę w miejscach wskazanych na rysunku 109. Używaj do tego wyłącznie specjalnego oleju do smarowania maszyny do szycia.



Rys.108



Rys.109

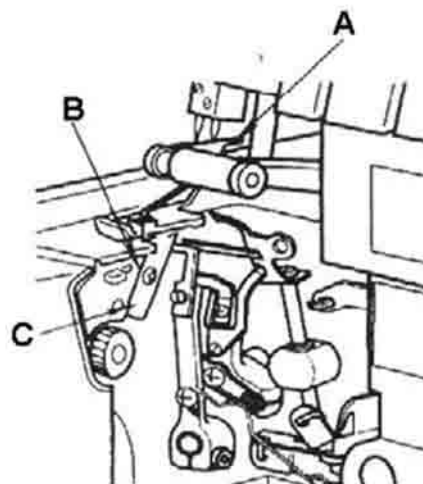
Wymiana noża dolnego

⚠ Uwaga!

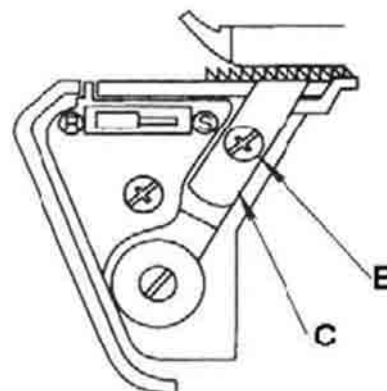
Przed przystąpieniem do wymiany noża 22 wyciągnij wtyczkę sieciową z gniazdka zasilania. Uniemożliwi to przypadkowe uruchomienie urządzenia. W przeciwnym razie powstaje niebezpieczeństwo odniesienia obrażeń!

Nóż dolny 22 należy wymienić gdy pogorszy się jakość cięcia noża dolnego 22. Skorzystaj z pomocniczego rysunku 110.

1. Otwórz klapę czołową 10.
2. Nóż górny 18 przestaw w położenie spoczynkowe (A).
3. Wykręć śrubę z noża dolnego 22 (B) i zdejmij nóż 22 (C) (rys. 111).
4. Nowy nóż 22 wsuń w uchwyt i przykręć śrubą.
5. Przetaw nóż górny 18 w położenie robocze i zamknij klapę czołową 10.



Rys.110



Rys.111

Przechowywanie

Uwaga!


Przed schowaniem najpierw zawsze wyciągaj wtyczkę z gniazdka. Uniemożliwi to przypadkowe uruchomienie urządzenia, chroniąc tym samym przed odniesieniem obrażeń!

Maszynę na czas przerwy w użyciu przykrywaj zawsze pokrywą. W ten sposób chronisz maszynę przed osiadającym kurzem. Przechowuj urządzenie w czystym i suchym miejscu.

Maszynę przenoś zawsze za rozłożony uchwyt.

Usuwanie/wyrzucanie



W żadnym przypadku nie należy wyrzucać urządzenia jako normalnych śmieci domowych. W odniesieniu do produktu  ma zastosowanie dyrektywa europejska 2002/96/EC.

Urządzenie należy usuwać poprzez akredytowane lub komunalne zakłady utylizacji odpadów.

Przeznaczaj aktualnie obowiązujących przepisów. W razie pytań i wątpliwości dotyczących zasad utylizacji skontaktuj się z najbliższy zakładem utylizacji.



Materiał opakowania należy poddawać utylizacji zgodnie z przepisami o ochronie środowiska.

Oleju do maszyn do szycia nie należy wyrzucać do normalnych śmieci domowych. Nie wylewać do kanalizacji! Urządzenie należy usuwać poprzez akredytowane lub komunalne zakłady utylizacji odpadów.

Gwarancja i serwis

Urządzenie objęte jest 3-letnią gwarancją, licząc od daty zakupu.

Urządzenie zostało starannie wyprodukowane i poddane skrupulatnej kontroli przed wysyłką.

Należy zachować paragon kasowy jako potwierdzenie zakupu. W przypadku roszczeń gwarancyjnych należy skontaktować się telefonicznie z serwisem. Tylko w ten sposób można zagwarantować bezpłatną wysyłkę zakupionego produktu.

Gwarancja obejmuje wyłącznie wady materiałowe i fabryczne, natomiast nie obejmuje szkód powstałych podczas transportu, szkód części ulegających zużyciu ani uszkodzeń części łatwo łamliwych, np. wyłącznika lub akumulatorów. Produkt przeznaczony jest wyłącznie do użytku domowego, a nie do zastosowań przemysłowych i profesjonalnych.

Gwarancja wygasa w razie niewłaściwego lub niezgodnego z instrukcją użycia, zastosowania przemocy lub w przypadku ingerencji, nie podjętych przez autoryzowaną placówkę serwisową. Niniejsza gwarancja nie ogranicza w praw ustawowych konsumenta.

Okres gwarancji nie ulega przedłużeniu o czas trwania usługi gwarancyjnej. Dotyczy to również wymienionych i naprawionych części. Ewentualne szkody i wady stwierdzone w chwili zakupu należy zgłosić niezwłocznie po rozpakowaniu urządzenia, nie później niż po upływie dwóch dni od daty zakupu. Wszystkie naprawy wykonywane po upływie okresu gwarancji będą płatne.

 **Serwis Polska**

Tel.: 22 397 4996

E-Mail: kompernass@lidl.pl

Importer

KOMPERNASS GMBH
BURGSTRASSE 21
44867 BOCHUM, NIEMCY

www.kompernass.com

Usuwanie usterek

Usterka	Przyczyna	Usunięcie
Igły łamią się.	• Igły są wygięte, tępe lub uszkodzone na końcach.	• Załóż nowe igły.
	• Igły nieprawidłowo założone.	• Załóż igły prawidłowo w uchwycie.
	• Zbyt silne pociągnięcie za materiał.	• Ostrożnie poprowadź materiał oburącz.
Nitka rwie się.	• Nieprawidłowe nawleczenie nitki.	• Nawlecz nitkę w prawidłowy sposób.
	• Naciąg nitki jest za mocny.	• Zmniejsz naciąg nitki.
	• Igły nieprawidłowo założone.	• Załóż igły prawidłowo w uchwycie.
Zdarza się gubienie ściągów.	• Igły są wygięte, tępe lub uszkodzone na końcach.	• Załóż nowe igły.
	• Igły nieprawidłowo założone.	• Załóż igły prawidłowo w uchwycie.
	• Nieprawidłowe nawleczenie nitki.	• Sprawdź bieg poszczególnych nitek.
Ściegi są nierówne	• Naciąg nitki jest nieprawidłowy.	• Skoryguj naciąg nitki.
	• Nitka zablokowała się.	• Sprawdź bieg poszczególnych nitek.
We szwach tworzą się fałdy.	• Naciąg nitki jest za mocny.	• Skoryguj naciąg nitki.
	• Nieprawidłowe nawleczenie nitki.	• Nawlecz nitkę w prawidłowy sposób.
	• Nitka zawiesza się.	• Sprawdź bieg poszczególnych nitek.
	• Nie ustawiony transport różnicowy.	• Ustaw prawidłowo transport różnicowy.
Materiał rwie się przy obcinaniu	• Noże są tępe lub źle założone.	• Wymień nóż lub załóż nóż w prawidłowy sposób.
Krawędzie materiału marszczą się	• Za dużo materiału w jednym ściegu.	• Zmień szerokość szwu.

Rendeltetésszerű használat	75
Biztonsági utasítások	75
A csomag tartalma	76
Műszaki adatok	76
A készülék leírása	77
A felső kés nyugalmi helyzetbe állítása	77
A tűre vonatkozó információk	77
A felső hurokfogó betét	77
Elülső burkolat felnyitása	78
Előkészítés	78
Pedál csatlakoztatása	.78
A varrási sebesség vezérlése	.78
Biztonsági kapcsoló	.78
A hulladéktartály felhelyezése	.78
A tű(k) kivétele	.79
A tű(k) behelyezése	.79
A kézi kerék kezelése	.79
A száltartó beállítása	.79
Befűzés	80
Általános tudnivalók a befűzésről	.80
A felső hurokfogó szál befűzése (piros)	.80
Az alsó hurokfogó szál befűzése (sárga)	.82
A jobb tű befűzése (zöld)	.83
A bal tű befűzése (kék)	.85
Próbavarrás	.86
Szálcseré (összekötés)	87
Az öltéshossz beállítása	87
Az öltésszélesség beállítása	87
... a jobb vagy bal tű használatával	.87
... az öltésszélesség állító gomb elfordításával	.88
Az öltésszélesség állító gomb beállítása	.88
A varrótalp nyomásának beállítása	88
Differenciál anyagtovábbító	89
Működési mód	.89
Ráncolt overlock öltés - beállítások	.89
Nyújtott overlock öltés - beállítások	.89
Szabadkaros varrás	90

Overlock öltések	91
Befordított szegélyek	91
Elszegés és próbavarrás	92
Javasolt szálfeszességi beállítások	92
2 szálás szegő láncöltés (overlock)	93
2 szálás szegőöltés	94
3 szálás láncöltés (overlock)	95
3 szálás flatlock öltés (lapos díszítő öltés)	96
3 szálás szegő láncöltés (overlock)	97
3 szálás biztonsági öltés, erősen nyújtható, imitált	98
4 szálás biztonsági öltés, erősen nyújtható, imitált	99
Befordított szegélyek	100
3 szálás behajtott szegés	100
3 szálás felső hurokfogó szegő befordított szegély	100
2 szálás behajtott szegés	101
2 szálás alsó hurokfogó szegő öltés behajtott szegély	101
Flatlock díszítő öltések	102
Flatlock öltés összekötő öltésként	102
Flatlock öltés díszöltésként	103
Overlock rejtett szegőöltés (hólozás)	103
Hajszálredők	103
Sarkok varrása	104
Külső sarkok	104
Belső szegletek	104
Tipppek és ötletek	105
Gombostű beszúrása	105
Üres lánc biztosítása	105
Szegély megerősítése	105
Díszítő szegély	105
Karbantartás és tisztítás	106
Tisztítás és kenés	106
Az alsó kés cseréje	106
Tárolás	107
Ártalmatlanítás	107
Garancia és szerviz	107
Gyártja	107
Hibaelhárítás	108

Rendeltetésszerű használat

Az overlock varrógép rendeltetése szerint használható ...

- nem beépített készülékként,
- háztartási textilek anyagszegélyének befogására (elszegésére) és ...
- csak háztartási használatra.

A varrógép rendeltetése szerint használható ...

- rögzítetten felszerelve,
- egyéb anyagok megmunkálására (pl. bőr, sátorponyva, vitorlavászon és más hasonlóan nehéz anyagok)
- ipari és kereskedelmi területeken való használatra.

Biztonsági utasítások

Bármely más elektromos készülékhez hasonlóan a varrógéppen is megsértheti magát és életveszélybe sodorhatja magát az ember és éle éleveszélybe kerülhet. Ennek elkerülése és a

biztonságos munkavégzés érdekében:



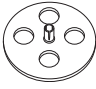
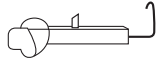





- Mindig húzza ki a hálózati csatlakozót, ha feláll a készülék mellől. Ezzel megakadályozza a véletlen bekapcsolás miatti balesetveszélyt.
- Először húzza ki a csatlakozót, mielőtt megkezdené a gép karbantartását. Ezzel elkerülheti az áramütés miatti életveszélyt. A LED lámpa nem cserélhető.
- A hálózati csatlakozót ne a kábelnél fogva húzza ki a csatlakozó aljzatból. Kihúzáskor ne a kábelt, hanem a csatlakozódugót fogja meg.
- A varrógépet mindig kizárólag száraz helyiségekben használja.
- A veszélyek elkerülése érdekében a sérült hálózati csatlakozót vagy vezetékét azonnal cseréltesse ki engedélyezett szakemberrel vagy az ügyfélszolgálattal.
- A készülék nem alkalmas arra, hogy olyan személyek (ideértve a gyermekeket is) használják, akiket testi, érzékszervi vagy elméleti képességeik vagy tapasztalatuk és ismeretük hiánya megakadályozná abban, hogy biztonságosan használják a készüléket, kivéve, ha a biztonságukról gondoskodó felügyelettel vannak, vagy ha előtte felvilágosították őket a készülék használatáról.
- Vigyázni kell a gyermekekre, hogy ne játsszanak a készülékkel.
- Soha ne használja a készüléket, ha a szellőzőnyílások le vannak zárva. Tisztítsa meg a gép és a pedál szellőzőnyílásait a portól, az anyag hulladékoktól és a szőszektől.
- Ha a pedállal összekapcsolt vezeték meg van sérülve, a veszély elkerülése végett a gyártónak vagy ügyfélszolgálatának, ill. szakképzett személyzetnek ki kell cserélni.

Figyelmeztetés sérülések és anyagi károk elkerülésére:

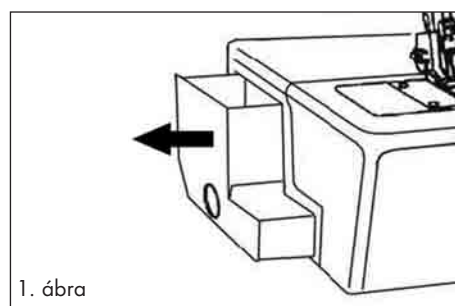
- Tartsa rendben a munkaterületét. A munkaterületen uralkodó rendetlenségnek baleset lehet a következménye.
- Gondoskodjon munka közben a jó megvilágításról!
- Ne viseljen bő ruhát vagy ékszert, mert ezek beakadhatnak a mozgó alkatrészekbe. Ha hosszú a haja, viseljen hajhálót.
- Kerülje a normálistól eltérő testtartást. Gondoskodjon a biztonságos testtartásról és a mindenkor egyensúlyról.
- Ha a baleset a készülék gondatlan használatára vezethető vissza vagy nem vették figyelembe a mellékletben található biztonsági utasításokat, az efféle károkért a gyártó nem vállal felelősséget.
- Ne takarja le a szellőzőnyílásokat! Túlhevülés veszélye!
- A varrógépolajat gyermekektől elzárva tartsa.
- Azonnal forduljon orvoshoz, ha lenyelte vagy a szemébe jutott a varrógépolaj.

A csomag tartalma


overlock varrógép
olaj
hulladéktartály
tartozékreesz
használati útmutató

pótkés (lent)	
2 tű(11. sz.) 4 tű(14. sz.) (2 a gépbe már be van szerelve)	
4 orsósapka	
felső hurokfogó betét	
kis csavarhúzó	
nagy csavarhúzó	
tárolódoboz	
csipesz	
ecset bontóval	

A tartozékokat a gép oldalán lévő tartozékreeszben találja (1. ábra).



Műszaki adatok

Szálak száma	2, 3 vagy 4
Tűk száma	2 vagy 1
Varrási sebesség	kb. 1200 U/min
öltésszélesség	
jobb:	3,0 mm - 4,5 mm
bal:	5,2 mm - 6,7 mm
öltéshossz	1 - 4 mm
Tűk	HA x 1 11-14 sz. vagy 130/705 75-90. sz.
Teljesítményfelvétel :	90 W
Névleges feszültség:	220 - 240 V ~, 50Hz
Védettségi osztály :	II 

A zajszint a normál üzemi feltételek alatt van: 78dB(A).

Pedál

A varrógéppel csak a csomagban található pedált használja:
- ELECTRONIC FDM Speed Controller
- Típus: KD-2902

A készülék leírása

Az előlő kihajtható oldalon:

- 1 lánchenger
- 2 spulnitű
- 3 cérnaspulni centírozó
- 4 varrótalp emelőkar
- 5 az öltéshossz állítókereke
- 6 kézi kerék
- 7 talp/hálózati csatlakozás csatlakozása
- 8 hálózati kapcsoló (On/Off kapcsoló)
- 9 differenciál anyagtovábbító kar
- 10 előlő fedél
- 11 kiláncoló nyelv támaszlemeze
- 12 szabad kar
- 13 tűlemez
- 14 szálfeszesség választó (bal tű)
- 15 szálfeszesség választó (jobb tű)
- 16 szálfeszesség választó (felső hurokfogó)
- 17 szálfeszesség választó (alsó hurokfogó)

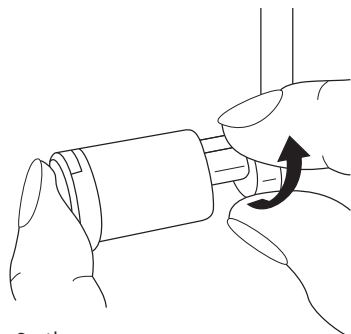
A hátsó kihajtható oldalon:

- 18 mozgó felső kés (felső kés)
- 19 felső hurokfogó
- 20 alsó hurokfogó
- 21 varrótalp
- 22 fix alsó kés
- 23 öltésszélesség kapcsoló
- 24 öltésszélesség állítógomb

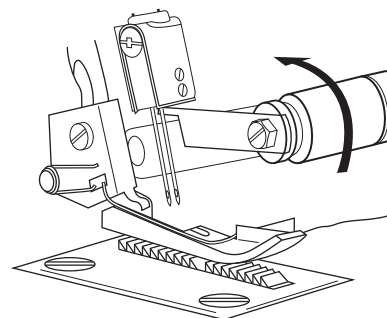
A felső kés nyugalmi helyzetbe állítása

Bizonyos öltésekhez, vagy a kiláncoló nyelv 24 könnyebb kezeléséhez a felső kést 18 nyugalmi állásba kell állítani.

Ehhez nyomja meg a felső kést 18 jobbra és fordítsa el egy kicsit, hogy szorosan illeszkedjen (2. és 3. ábra).



2. ábra



3. ábra

A tűre vonatkozó információk

A gép hagyományos lapos szárú varrótűvel működik. Ezek megakadályozzák, hogy a tűt fordítva tegyük be. Ilyen tű szaküzletben kapható.

11-es és 14-es méretű tűt tehet be a gépbe.

Az oldalsó táblázat rövid áttekintés ad a tűk használatának különbségeiről (részletes információkat lásd „Az öltésszélesség beállítása” résznél.)

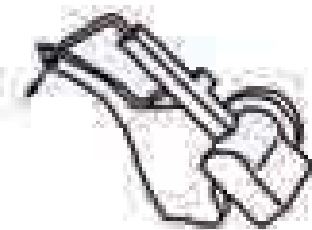
Öltésszélesség	3,5 mm	5,7 mm
Használt tűk	jobb tű	bal tű
Szálfeszesség választó	zöld	kék

A felső hurokfogó betét

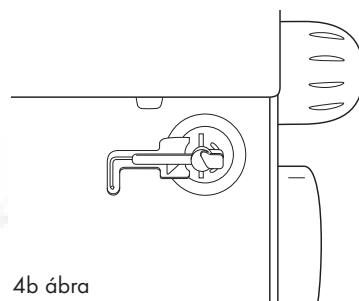
Néhány öltésnél a felső hurokfogóra van szüksége. Az, hogy mikor kell bedugni, az egyes öltésfajtáknál írtuk le.

Dugja a kis drótot hátulról a felső hurokfogó 19 hurkába és a műanyag csapszeget a másik végén előlről a felső hurokfogóba 19 (4.a ábra).

A felső hurokfogó betétet az előlő fedél 10 mögötti tárolóban lehet tartani (4b ábra).



4a ábra



4b ábra

Elülső burkolat felnyitása

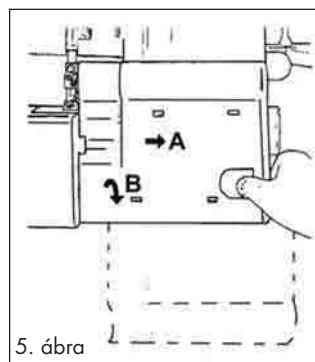
⚠ **Figyelem!**

A gépet mindig a csatlakozóval **8** kapcsolja ki, ha felnyitja az elülső burkolatot **10**. Sérülésveszély!

- Tolja jobbra az elülső burkolatot **10** (A), majd húzza maga felé (B) (5. ábra). Az elülső burkolat **10** mögött látja a hurokfogó részét.

Tudnivaló:

Varrás közben az elülső burkolatnak **10** zárva kell lennie!



5. ábra

Előkészítés

Állítsa az overlock varrógépet stabil és sík felületre. Ügyeljen arra, hogy a munkaterület megfelelően ki legyen világítva.

Pedál csatlakoztatása

- Dugja a pedál csatlakozóját a pedál csatlakozásába **7**.
- Dugja be a csatlakozót a konnektorba.

Ha be szeretné kapcsolni a gépet, nyomja meg a hálózati kapcsolót **8**.

⚠ **Figyelem!**

Ha már nem dolgozik a gépen, vagy karbantartást végez rajta, mindig húzza ki a csatlakozót a dugaszoló aljzatból. Sérülésveszély!

A varrési sebesség vezérlése

A varrési sebességet a pedállal lehet szabályozni. A varrési sebességet úgy lehet módosítani, hogy kisebb vagy nagyobb nyomást gyakorolunk a pedálra.

Biztonsági kapcsoló

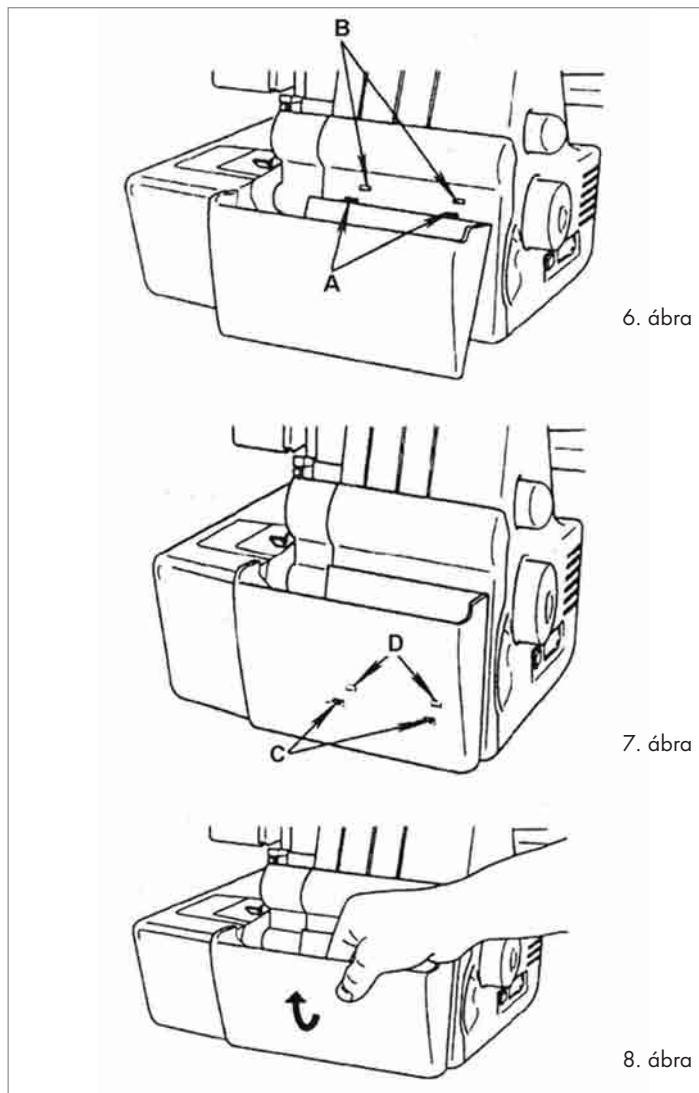
A gép mikro biztonsági kapcsolóval van ellátva. A gépet nem lehet elindítani, ha nyitva van az elülső burkolat **10**. Csukja be az elülső burkolatot **10**, mielőtt megkezdí a varrást.

A hulladéktartály felhelyezése

A hulladéktartály varrás közben felfogja a varrt részeket, hogy a varrási munkaterület tiszta maradjon.

- Először tolja mindkét zárat (A) a felvevő nyílásba (B) (6. ábra).
- Ezután vezesse mindkét zárat (C) a felvevő nyílásokba (D) (7. ábra).

- Ha le szeretné szedni a hulladéktartályt, húzza előre és közben döntse meg kicsit (8. ábra).



6. ábra

7. ábra

8. ábra

A tű(k) kivétele

⚠ Figyelem!

Húzza ki a csatlakozót, mielőtt tűt cserélne. Ez megakadályozza, hogy a gép véletlenül elinduljon. Máskülönben sérülés veszélye áll fenn!

Tipp

A tűt könnyebb kicserélni, ha előtte leveszi a szabad kart (9a ábra)!

1. Fordítsa el a kézi kereket **⚙**, míg a tűk a legfelsőbb helyzetben vannak (9b ábra).
2. A kis csavarhúzóval oldja ki annyira a tűcsavarokat, hogy a tű kioldódjon (10. ábra).
3. Vegye ki a tűket.

A tű(k) behelyezése

⚠ Figyelem!

Húzza ki a csatlakozót, mielőtt tűt cserélne. Ez megakadályozza, hogy a gép véletlenül elinduljon. Máskülönben sérülés veszélye áll fenn!

1. Tartsa a tűt a lapos oldalával hátra.
2. Tolja bele a tűt ütközésig a tűtartóba.
3. Húzza meg a tűcsavarokat a kis csavarhúzóval (10. ábra)

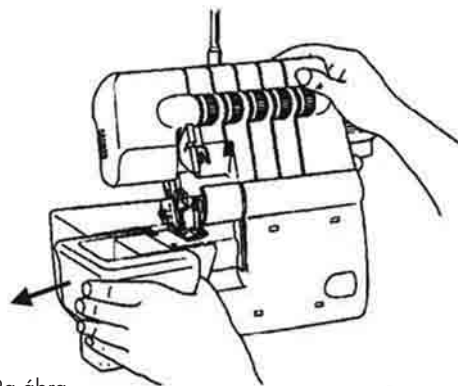
A kézi kerék kezelése

ℹ Tudnivaló:

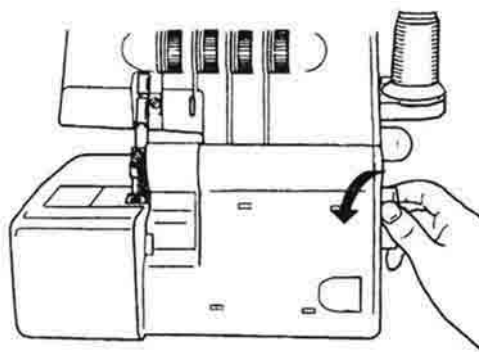
Mindig csak saját maga felé fordítsa el a kézi kereket **⚙** (9b ábra).

A száltartó beállítása

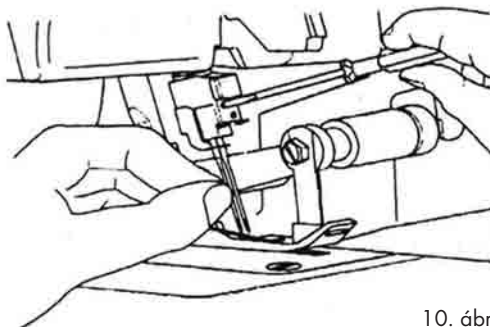
- Befűzés előtt teljesen húzza ki a száltartót **①** (11. ábra).
- Úgy fordítsa el a száltartót **①**, hogy a szálvezetők pontosan az orsótűk **②** felett legyenek.
- Megfelelő helyzetben a száltartó **①** két csuklórésze hallhatóan bepattan.
- Helyezze a cérnaspulnikat a cérnaspulni centírozókra. Ha nem ipari spulnit használ, vegye le a cérnaspulni centírozókat. Toljon egy spulnisapkát a cérnaspulnira (12. ábra). Így varrás közben a helyén fog maradni.



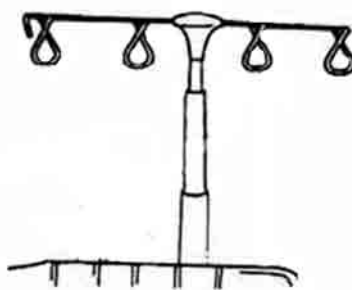
9a ábra



9b ábra



10. ábra



11. ábra



12. ábra

Befűzés

❗ Tudnivaló:

Kiszállításkor mind a 4 szál be van fűzve. Azonnal elkezdheti a varrást.
Ha cérnát szeretne cserélni, és még mind a négy szál be van fűzve, akkor a „Szálcsere (összekötés)” rész alapján járjon el.
Ha teljesen újra akarja befűzni a szálakat, akkor a jelen „Befűzés” rész alapján járjon el.

Általános tudnivalók a befűzésről

⚠ Figyelem!

efűzéshez mindig állítsa a kapcsolót ❸ „O”-ra (ki) és húzza ki a csatlakozót. Ez megakadályozza, hogy a gép véletlenül elinduljon. Máskülönben sérülés veszélye áll fenn!

A helyes befűzés fontos, hogy az öltések ne legyen rendszertelenek és a cérna ne szakadjon el.

Az elülső burkolat ❶ mögött található a befűzés szemléltető ábrája. Ezenkívül a szálvezetők különböző színnel vannak jelölve.

A tartozékrekeszben lévő csipesz megkönnyíti a befűzést.

A befűzés sorrendje (13./14. ábra):

1. lépés: felső hurokfogó (piros)
2. lépés: alsó hurokfogó (sárga)
3. lépés: a jobb tű szála (zöld)
4. lépés: a bal tű szála (kék)

❗ Tudnivaló:

Ha valamennyi szál be van fűzve, és az alsó hurokfogó szála kioldódik, az alábbiit kell tennie:

- Fűzze ki a tűkből a két szálát.
- Fűzze be az alsó hurokfogót.
- Csak ezután fűzze be megint mindkét tűt.

A tűket mindig legutoljára fűzzék bel!

Az egyszerűség kedvéért az egyes lépések az ábrán láthatók.

A felső hurokfogó szál befűzése (piros)

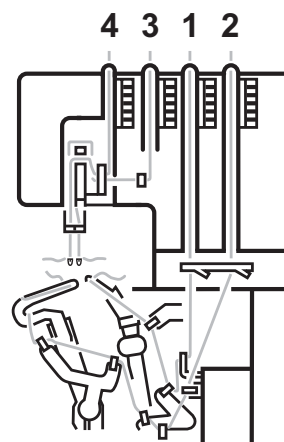
⚠ Figyelem!

Befűzéshez mindig állítsa a kapcsolót ❸ „O”-ra (ki) és húzza ki a csatlakozót. Ez megakadályozza, hogy a gép véletlenül elinduljon. Máskülönben sérülés veszélye áll fenn!

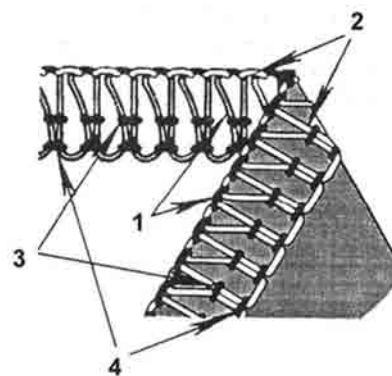
Mindig a mellékelt ábrát használja segítségül.

A 15. ábra a felső hurokfogó cérnamentét mutatja. Az egyes befűzési helyek meg vannak számozva és az alábbiakban részletesen taglaljuk őket.

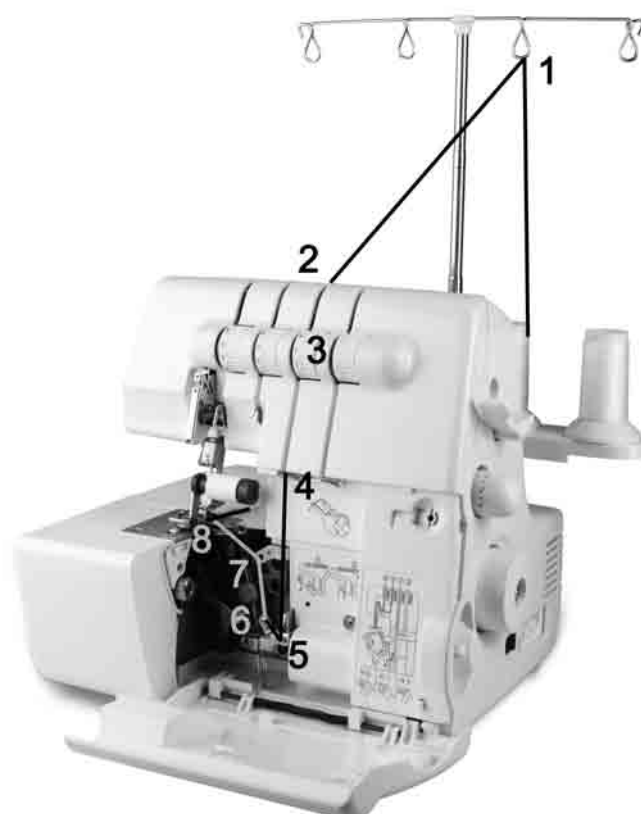
1. Nyissa ki az elülső burkolatot ❶.
2. A cérnát hátulról előre vezesse a száltartón ❶ (1) át.



13. ábra

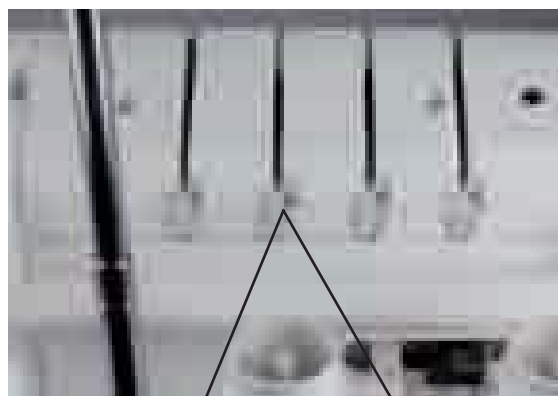


14. ábra

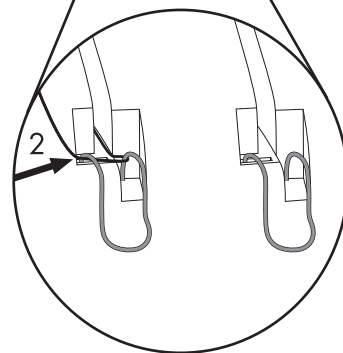


15. ábra

3. Fűzze be a szálát a szálvezetőbe: húzza hátra a szálát, míg az alsó szálvezető alá csúszik (2) (16. ábra).



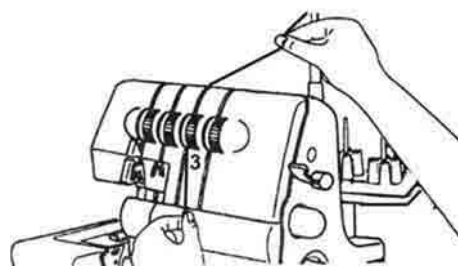
16. ábra



4. Az ujjával tartsa a szálát, vezesse a szálfeszességválasztó 16 tárcsái közé, majd húzza ki lefele (3) (17. ábra).

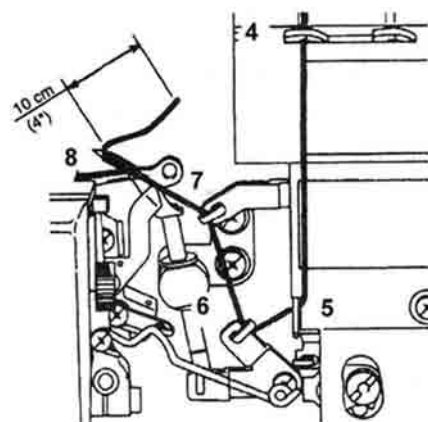
i Tudnivaló:

A szálnak pontosan a szálfeszességválasztó 16 két tárcsája között kell lennie.



17. ábra

5. A hurokfogóban a piros jelölésnek megfelelően fűzze be a szálát (5 - 7) (18. ábra).
6. A cérnát előlről hátulra vezesse a száltartón 19 (8) át.
7. Húzzon át kb. 10 cm-nyi szálát a hurokfogón és tegye a tűlemez 13 mögé.



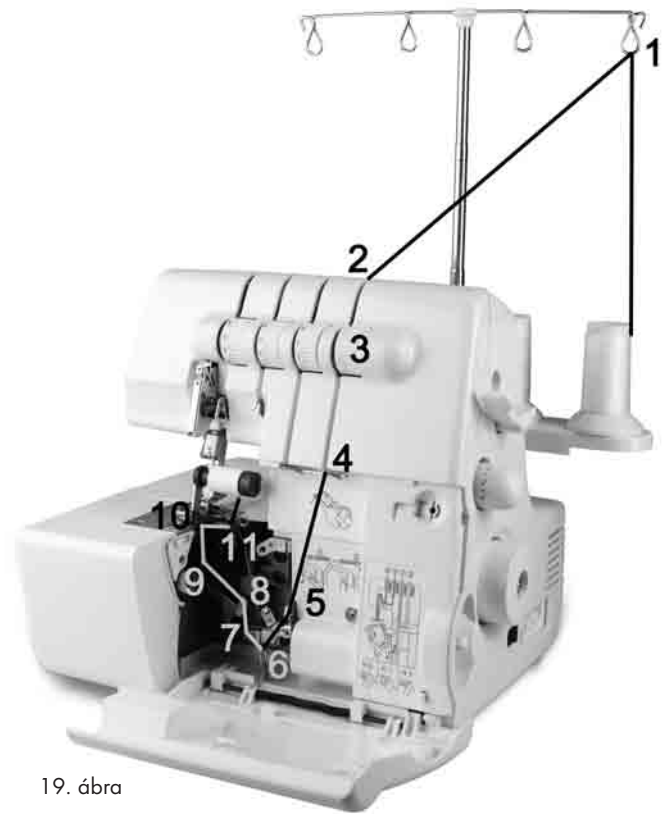
18. ábra

Az alsó hurokfogó szál befűzése (sárga)

⚠ **Figyelem!**

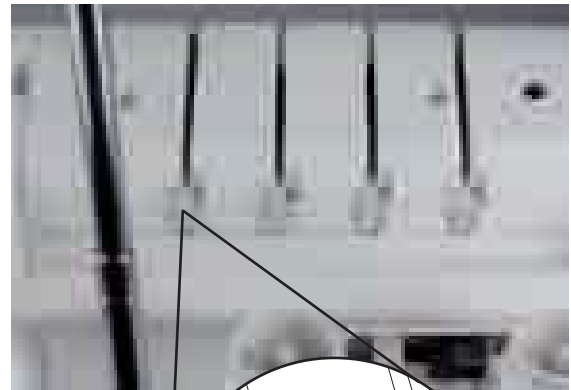
Befűzéshez mindig állítsa a kapcsolót **Ⓢ** „O”-ra (ki) és húzza ki a csatlakozót. Ez megakadályozza, hogy a gép véletlenül elinduljon. Máskülönben sérülés veszélye áll fenn!

A 19. ábra az alsó hurokfogó cérnamenetét mutatja. Az egyes befűzési helyek meg vannak számozva és az alábbiakban részletesen taglaljuk őket.



19. ábra

1. A cérnát hátulról előre vezesse a száltartón **①** (1) át.
2. Fűzze be a szálát a szálvezetőbe: húzza hátra a szálát, míg az alsó szálvezető alá csúszik (2) (20. ábra).



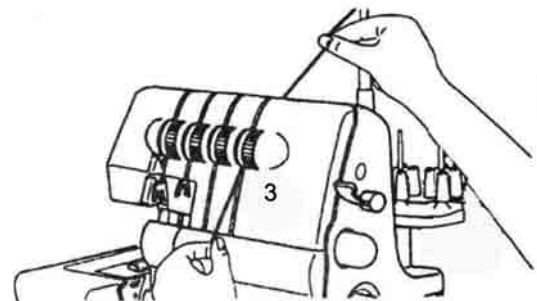
20. ábra

3. Az ujjával tartsa a szálát, vezesse a szálfeszességválasztó **⑬** tárcsái közé, majd húzza ki lefele (3) (21. ábra).

ⓘ Tudnivaló:

A szálnak pontosan a szálfeszességválasztó **⑬** két tárcsája között kell lennie.

4. Fordítsa maga felé a kézi kereket **⑥**, míg az alsó hurokfogó **⑳** teljesen a jobb oldalon van.



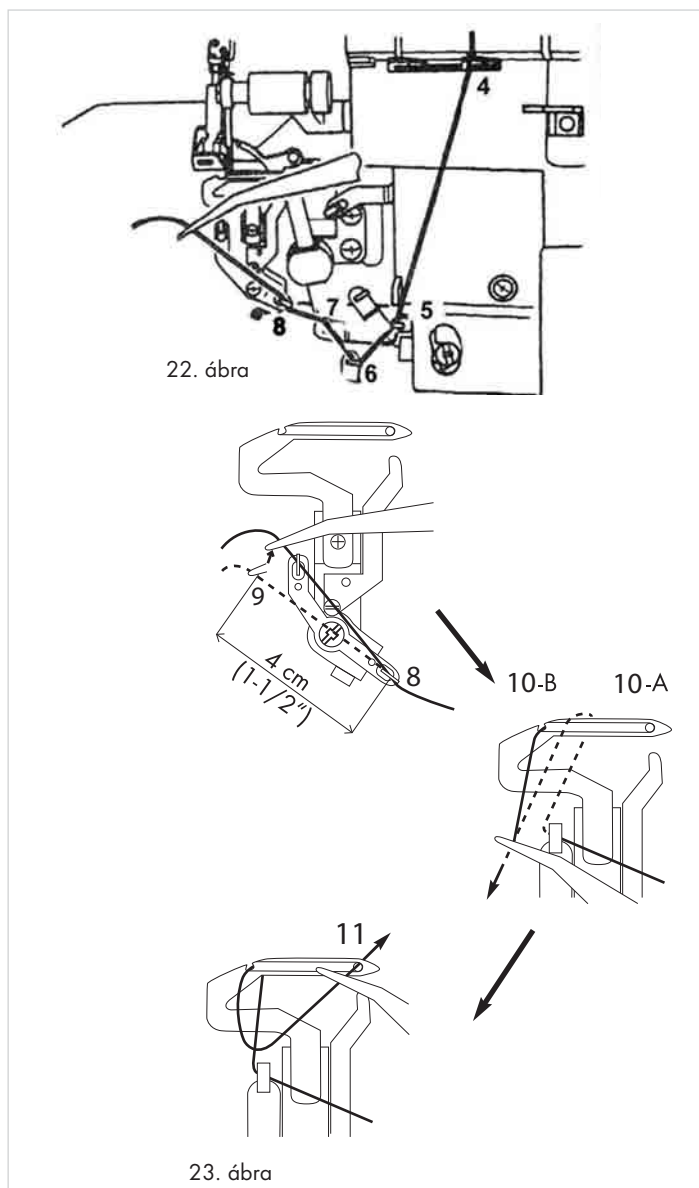
21. ábra

5. A hurokfogóban a sárga jelölésnek megfelelően fűzze be a szálát (4 - 8)(22. ábra).

6. Tartsa a szálát kb. 4 cm-re a szálvezetőtől a csipesszel (23. ábra).
7. Vezesse a csipesszel balról lazán a szálvezetőbe.
8. Húzza a szálát felfele a szálvezetőbe (9).

9. Vezesse a szálát hátra és az alsó hurokfogó ⑩ felső végén át (10A) (23. ábra).
10. Ezután óvatosan húzza le a szálát, hogy a hurokfogó mélyedésébe csússzon (10B) (23. ábra). Ehhez a lépéshez használja a gépen található rajzot.

11. Bújtsa át a szálát a hurokfogó lyukán (11). A szál az alsó hurokfogó rovátkájában ⑩ húzódjon (23. ábra).
12. Húzzon át kb. 10 cm-nyi szálát a hurokfogón és helyezze a felső hurokfogón ⑪ és tűlemezen ⑫ keresztül hátra.



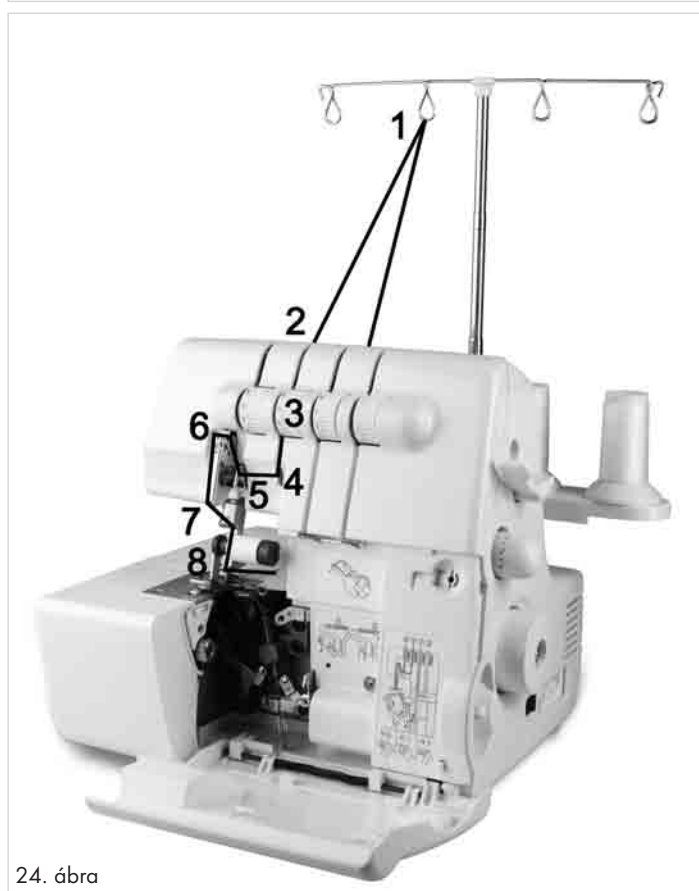
A jobb tű befűzése (zöld)

⚠ Figyelem!

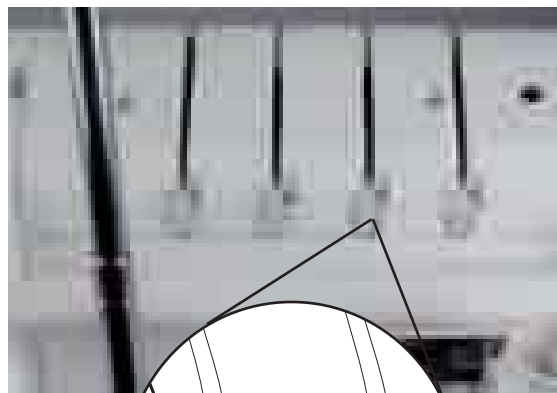
Befűzéshez mindig állítsa a kapcsolót ⑧ „O”-ra (ki) és húzza ki a csatlakozót. Ez megakadályozza, hogy a gép véletlenül elinduljon. Máskülönben sérülés veszélye áll fenn!

A 24. ábra a jobb tűszál cérnamenetét mutatja. Az egyes befűzési helyek meg vannak számozva és az alábbiakban részletesen taglaljuk őket.

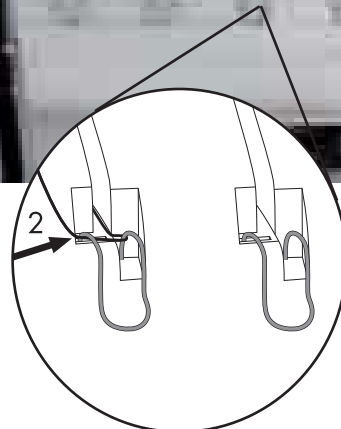
1. A cértát hátulról előre vezesse a szálartón ① (1) át.



2. Fűzze be a szálát a szálvezetőbe: húzza hátra a szálát, míg az alsó szálvezető alá csúszik (2) (25. ábra).



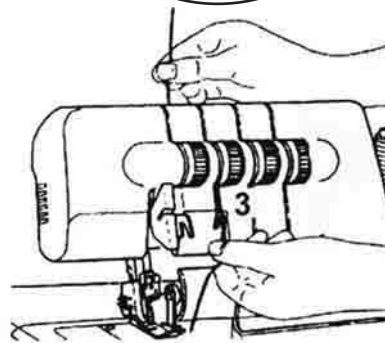
25. ábra



3. Az ujjával tartsa a szálát, vezesse a szálfeszességválasztó 15 tárcsái közé, majd húzza ki lefele (3) (26. ábra).

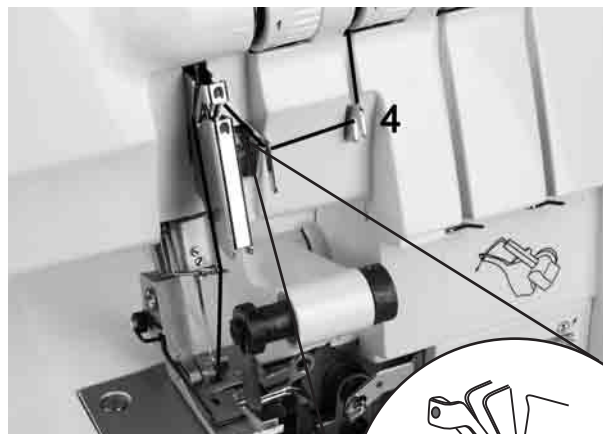
❗ Tudnivaló:

A szálnak pontosan a szálfeszességválasztó 15 két tárcsája között kell lennie.

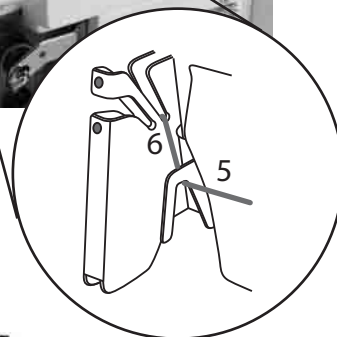


26. ábra

4. A zöld jelölésnek megfelelően fűzze be a szálát (4 - 7)(27/28. ábra).

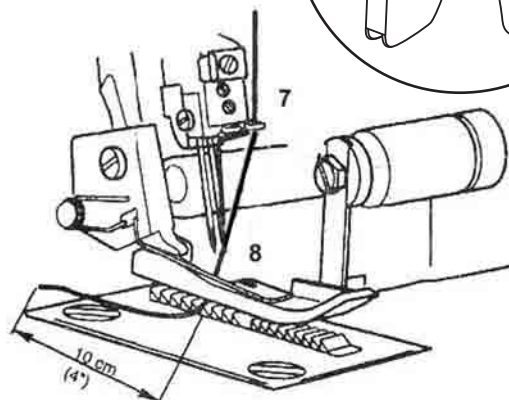


27. ábra



5. Bújtassa át a szálát a jobb tűn (8) át (28. ábra).

6. Helyezze hátra a szálát a varrótalp 21 alá.



28. ábra

A bal tű befűzése (kék)

⚠ Figyelem!

Befűzéshez mindig állítsa a kapcsolót **Ⓢ** „O”-ra (ki) és húzza ki a csatlakozót. Ez megakadályozza, hogy a gép véletlenül elinduljon. Máskülönben sérülés veszélye áll fenn!

A 29. ábra a bal tűszál cérnamenetét mutatja. Az egyes befűzési helyek meg vannak számozva és az alábbiakban részletesen taglaljuk őket.

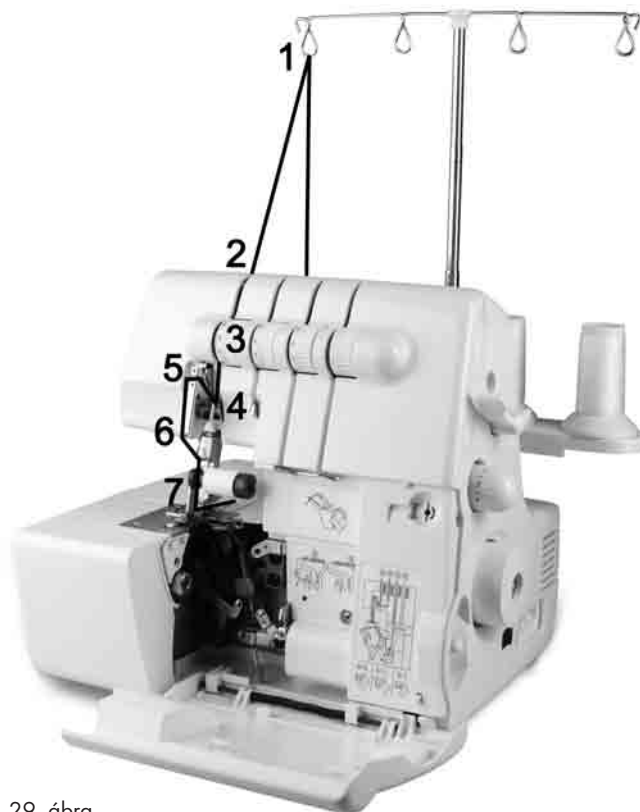
1. A cérnát hátulról előre vezesse a száltartón **❶** (1) át.

2. Fűzze be a szálát a szálvezetőbe: húzza hátra a szálát, míg az alsó szálvezető alá csúszik (2) (30. ábra).

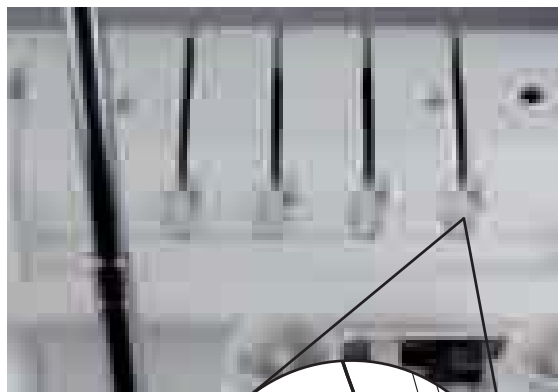
3. Az ujjával tartsa a szálát, vezesse a szálfeszességválasztó **❶** tárcsái közé, majd húzza ki lefele (3) (31. ábra).

ⓘ Tudnivaló:

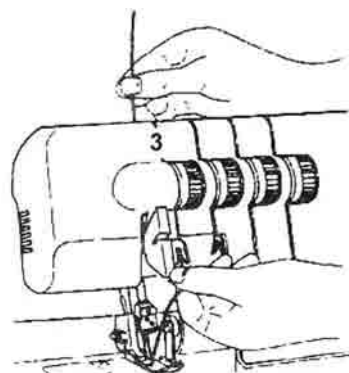
A szálnak pontosan a szálfeszességválasztó **❶** két tárcsája között kell lennie.



29. ábra

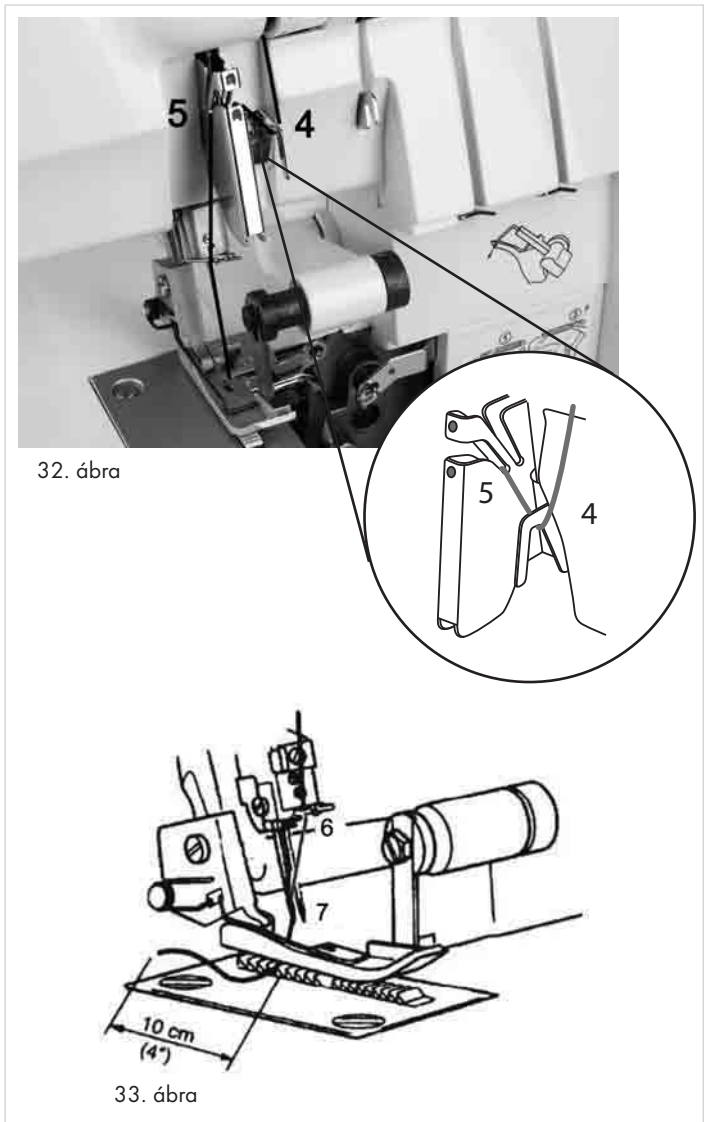


30. ábra



31. ábra

4. A kék jelölésnek megfelelően fűzze be a szálát (4 - 6)(32/33. ábra).



32. ábra

5. Bújtsa át a szálát a bal tűn (7) át (33. ábra).

6. Helyezze hátra a szálát a varrótalp 21 alá.

33. ábra

Próbavarrás

Ha először van befűzve cérna vagy a cérna elszakadása után újra be kell fűzni másikat, az alábbiak szerint járjon el:

Emelje meg a varrótalpat 21.

Tartsa a cérna végeit bal keze ujjhegye között, fordítsa el lassan kétszer-háromszor a kézi kereket 6 maga felé és ismét ellenőrizze a szálát.

Helyezze az anyagot próbavarráshoz a varrótalp 21 alá és kezdje meg lassan a varrást.

Az anyag magától mozdul el a talp fele.

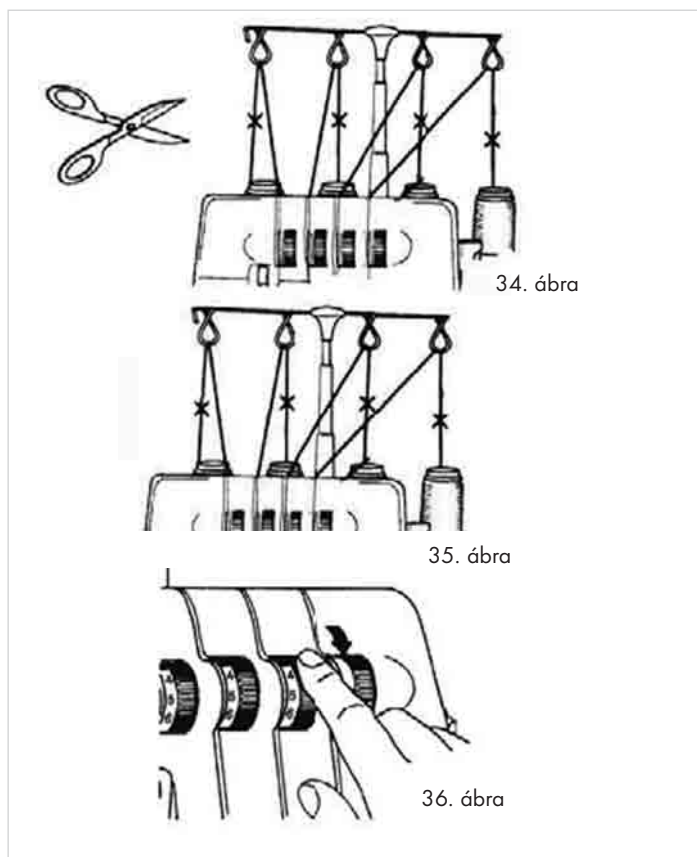
A munka befejeztével varrjon tovább, mg kb. 5 cm-es (2") cérnalánc nem látszik az anyag végén.

Vágja el a cérnát egy ollóval.

Szálcsere (összekötés)

Az alábbi eljárásmóddal teljesen egyszerűvé válik a szálcsere:

1. Vágja el a cérnát az orsótű **2** felett (34. ábra) és helyezzen fel új spulnit az orsótűre **2**.



2. Csomózza össze a régi és új szál végeit (35. ábra).

3. Állítsa a szálfeszességválasztókat **14/15/16/17** „0”-ra (36. ábra) és emelje meg a varrótalpat **21**.

4. Húzza meg a cérna másik végét, míg a csomók át nem bújnak a varrótalpon **21**.

5. A tűkbe való befűzés körben a másik végeket húzza meg, míg a csomók a tűlyukakban nincsenek és vágja el a szálát a csomótól jobbra és balra. Ezután fűzze be újra.

Az öltéshossz beállítása

Az öltéshosszat 1,0-4,0 mm-ig lehet beállítani. Szinte valamennyi overlock varrás 2,5 – 3,5 mm hosszúságú.

Fordítsa el az öltéshossz állítókereket **5** (37. ábra), ha be szeretné állítani az öltéshosszat:

- A legtöbb varrási munkához 3 mm-es öltéshosszat ajánlunk.
- Nehéz anyagok varrásához 4 mm-es öltéshosszat ajánlunk.
- Könnyű anyagok varrásához 2 mm-es öltéshosszat ajánlunk.

Ezzel a beállításokkal szép öltéseket érhet el és az anyag nem ráncolódik.



Az öltésszélesség beállítása

A varrások szélességét a tű helyzetének megváltoztatásával és a kiláncoló nyelv **24** segítségével lehet beállítani.

... a jobb vagy bal tű használatával

Az öltés szélességét a bal vagy a jobb tű használatával határozhatja meg.

- Csak a bal tű használatával: 5,7 mm
- Csak a jobb tű használatával: 3,5 mm

... az öltésszélesség állító gomb elfordításával

Az öltésszélességállító gombbal 24 lehet az öltési szélességet a lent megadott határokon belül beállítani.

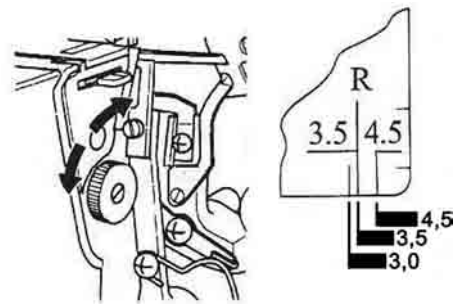
- Csak a bal tű használatával: 5,2 - 6,7 mm
- Csak a jobb tű használatával: 3,0 - 4,5 mm

Az öltésszélesség állító gomb beállítása

⚠ Figyelem!

Az öltésszélességállító gomb 24 beállítási előtt a kapcsolót 8 mindig állítsa „O”-ra (ki). Ez megakadályozza, hogy a készülék véletlenül elinduljon és sérülést okozzon!

- Nyissa ki az elülső burkolatot 10, hogy egyszerűbben meg tudja tenni a beállításokat.
- Fordítsa el az öltésszélességállító gombot 24 a kívánt öltésszélességre (38. ábra) Közben igazodjon a tülemezzen 18 lévő mércéhez (39. ábra).



38. ábra

39. ábra

A varrótalp nyomásának beállítása

Kiszállításkor a varrótalp nyomása közepesen nehéz anyagokhoz van beállítva.

Ha nehezebb vagy könnyebb anyagot használ, az alábbi módon állítsa be a varrótalp nyomását:

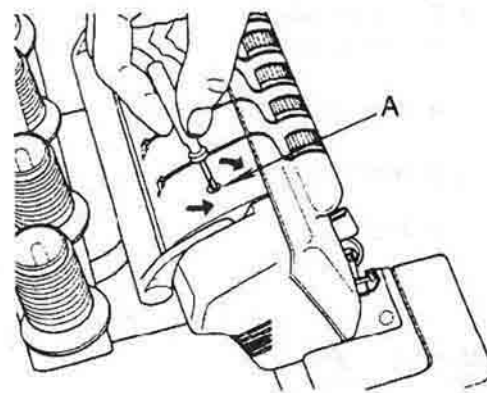
- könnyű anyagokhoz csökkentse a nyomást.
- nehéz anyagokhoz növelje a nyomást.

Dugja be a kis csavarhúzó a gép felső oldalán lévő lyukba (40. ábra). Itt található a nyomásállító csavar (A). Győződjön meg arról, hogy a csavarhúzó belenyúljon a nyomásállító csavar nyílásába (B) (41. ábra).

- Fordítsa el a csavarhúzó a „+” irányába, ha növelni szeretné a nyomást.
- Fordítsa el a csavarhúzó a „-” irányába, ha csökkenteni szeretné a nyomást.

📌 Tudnivaló:

Ha megint a gyárilag beállított alap varrótalp nyomást szeretné beállítani, fordítsa el a nyomásállító csavart ütközésig az óramutató járásával ellentétes irányba (-). Ezután fordítsa el 6 fordulattal az óramutató járásával megegyező (+) irányba. A szabvány varrótalp nyomás ezzel megint be van állítva.



40. ábra

41. ábra

Differenciál anyagtovábbító

Működési mód

A gép két előtoló fogazott rúd készlettel rendelkezik, eggyel elöl és eggyel hátul. Ez a készlet egymástól függetlenül mozog. A differenciális anyagtovábbító segítségével a két fogazott rúd készlet különböző sebességgel tud mozogni.

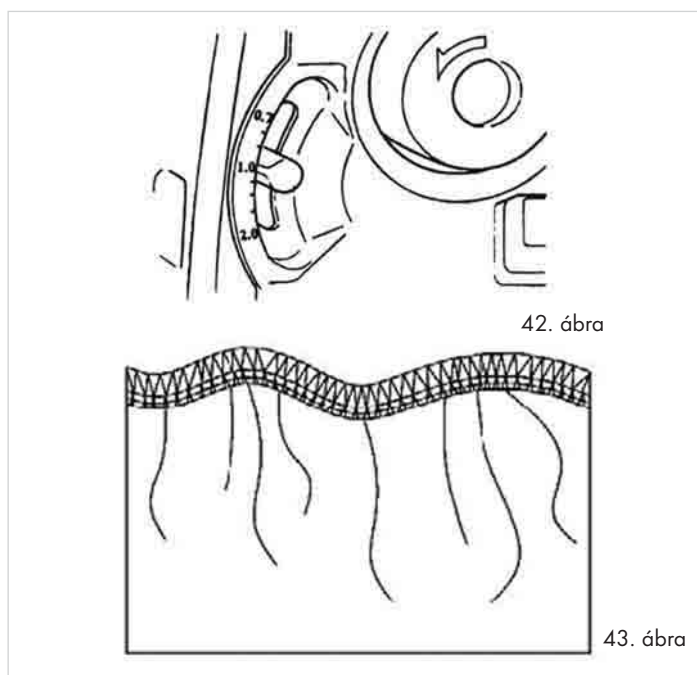
Így a varrt anyagot nyújtani, vagy ráncolni lehet, attól függően, hogy milyen továbbító különbözet van beállítva az első és hátsó előtoló fogazott rudak között.

A differenciális anyagtovábbító segítségével nyúlós anyagokon overlock öltésekkel és ferdén szabott textileken érdekes hatást lehet elérni (43. ábra).

i Tudnivaló:

Ha a differenciális anyagtovábbító kart **1** „1.0”-ra állítjuk, ez 1:1 anyagtovábbító aránynak felel meg. A két előtoló fogazott rúd azonos sebességgel mozog (42. ábra).

A differenciális anyagtovábbító kart **2** 1:0,7 - 1:2,0 tartományban lehet beállítani.



Ráncolt overlock öltés - beállítások

A ráncolt overlock öltés elasztikus, kötött és dzsörzé anyagból készült ujjak, felsők és szoknyák szegélyének fodrozásához alkalmas. Az egyes részek összevarrása előtt kell ezt a részt kidolgozni.

- Állítsa a differenciális anyagtovábbító kart **2** 1,0-nél magasabb értékre (44. ábra). A pontos beállítás a feldolgozandó anyagtól és a kívánt ráncolástól függ. Ezért mindig készítsen próbavarrást, hogy le tudja tesztelni a beállításokat.

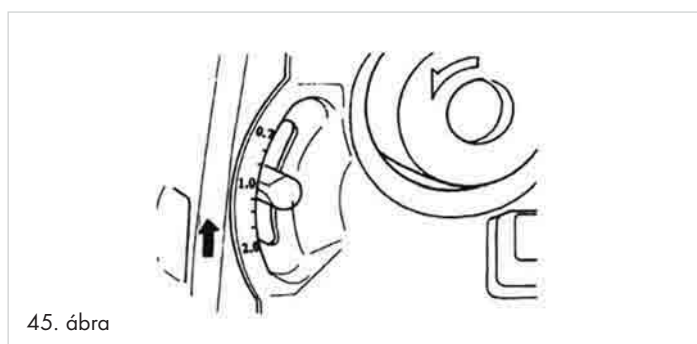
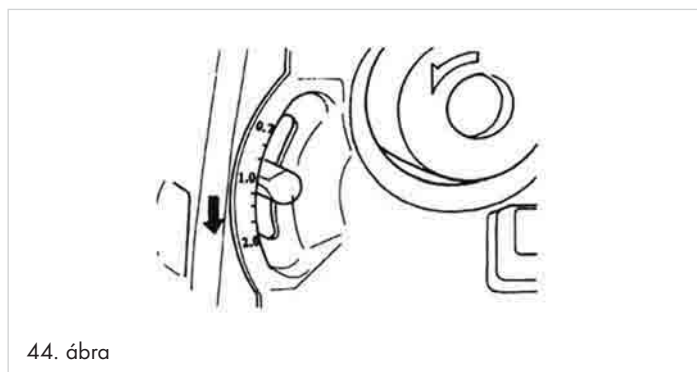
Nyújtott overlock öltés - beállítások

A nyújtott overlock öltés puha, nyújtható anyagokból és kötöttáruból készült díszgallérok, ujjak és szoknyaszegélyek hullámos hatására való.

- Állítsa a differenciális anyagtovábbító kart **2** 1,0-nél magasabb értékre (45. ábra). A pontos beállítás a feldolgozandó anyagtól és a kívánt hullámos hatástól függ. Ezért mindig készítsen próbavarrást, hogy le tudja tesztelni a beállításokat.
- Lazán fogja meg az öltést a varrótalp **2** előtt és mögött, hogy az anyag kifeszüljön.

i Tudnivaló:

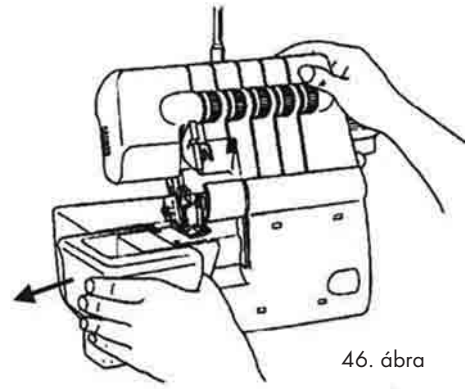
Ha az öltéshossz állító gombon **3** „3”-as, vagy ennél nagyobb értéket állított be, ez a beállítás magától „3”-ra állítódik vissza, ha a differenciális anyagtovábbító kar **2** 2.0-re van állítva.



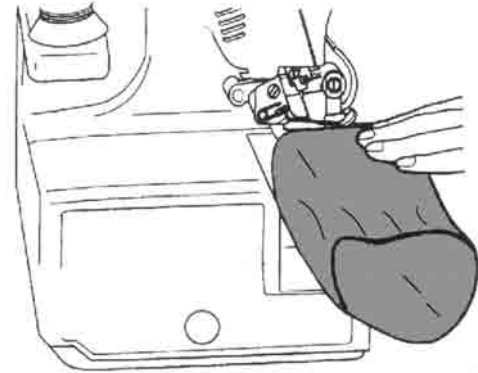
Szabadkaros varrás

Ha csőszerű anyagot, például ruha ujját, vagy nadrágszárat kell varrnia, le lehet szedni a szabadkar fedelét.

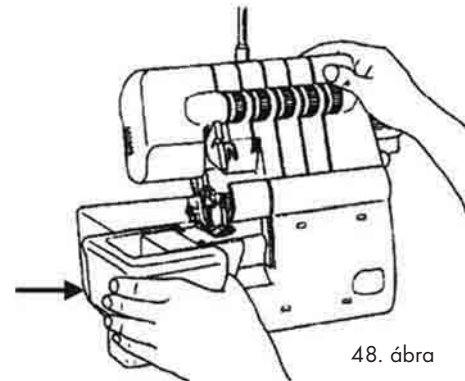
- Ha rajta lenne, vegye le a gépről a hulladéktartályt.
- Tolja balra a szabadkar fedelét és húzza le (46. ábra).
- Ekkor áthúzhatja az anyagot a szabadkaron **12** és kezdheti varrni (47. ábra).
- Ha vissza szeretné helyezni a szabadkart, tolja vissza annyira a szabadkarral **12**, míg be nem pattan és szorosan nem illeszkedik (48. ábra).



46. ábra



47. ábra



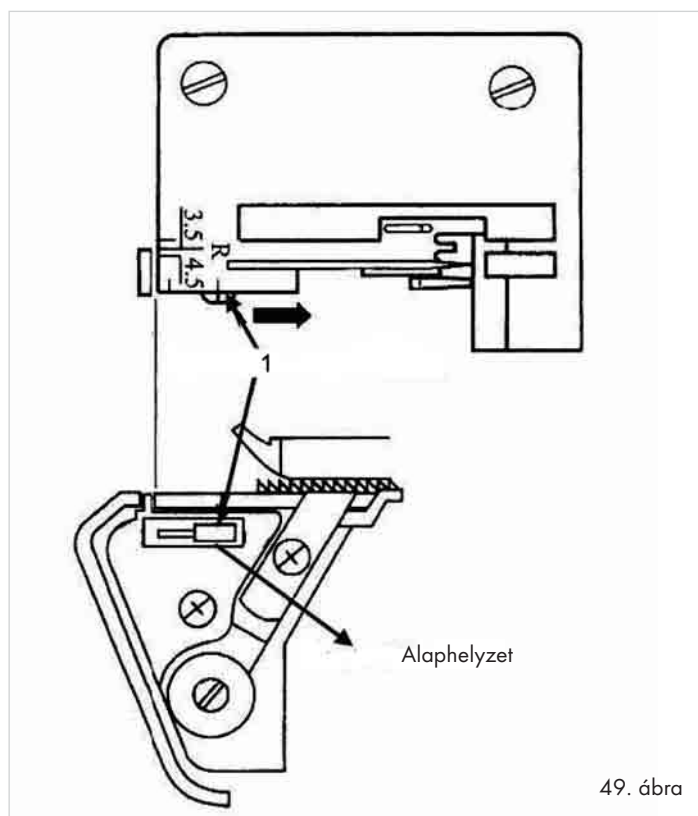
48. ábra

Overlock öltések

- Nyissa ki az elülső burkolatot ⑩.
- Tolja az öltésszélességállító kapcsolót ②3 „S”-re, hogy a kiláncoló nyelv előre tolódjon (1)(49. ábra).

① Tudnivaló:

Az öltésszélességállító kapcsolót ②3 ütközésig el kell tolni. Különben a varrás nem lesz tiszta.



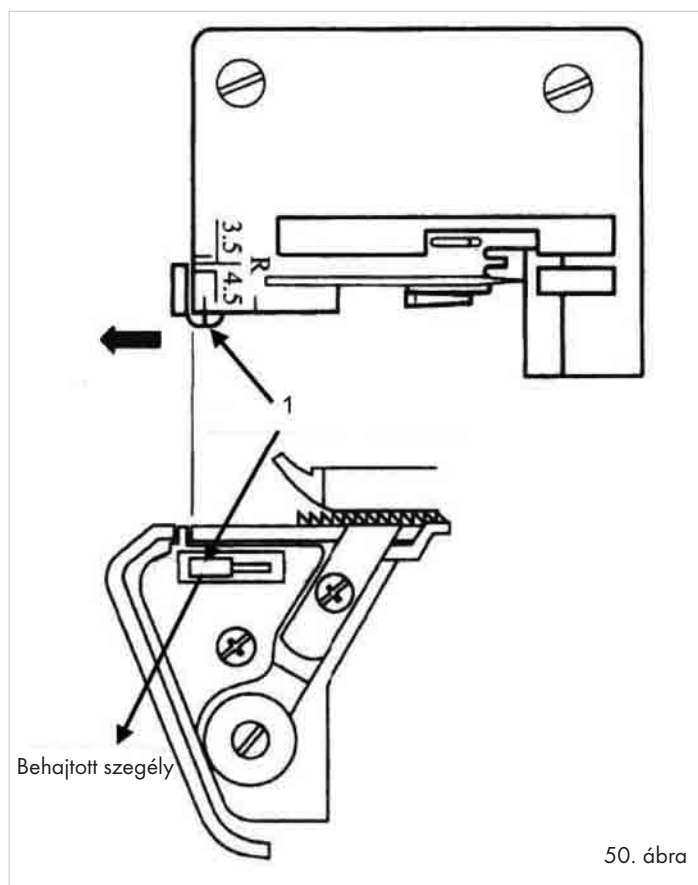
49. ábra

Befordított szegélyek

- Nyissa ki az elülső burkolatot ⑩.
- Tolja az öltésszélességállító kapcsolót ②3 „R”-re, hogy a kiláncoló nyelv visszatolódjon (1)(50. ábra).

① Tudnivaló:

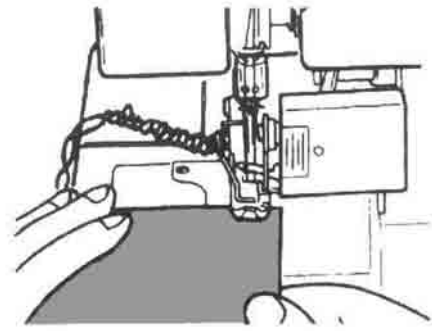
Az öltésszélesség kapcsolót ②3 ütközésig vissza kell tolni, mert különben nem lesz tiszta az öltés.



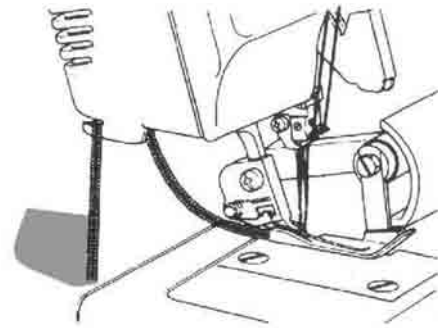
50. ábra

Elszegés és próbavarrás

- Helyezze valamennyi szálat a varrótalp **21** alá lefele, lazán balra, a tűlemez fölé **18**.
- Tartsa a szálat enyhén feszesen.
- Fordítsa el a kézi kereket **6** 2-3 fordulattal maga fele, hogy megkezdje az üres láncok képzését.
- Süllyessze le a varrótalpat **21** a varrótalp emelőkarral **4**.
- Megint fogja meg az üres láncot és óvatosan mozgassa a pedált, míg az üres lánc kb. 5 - 7,5 cm hosszú nem lesz.
- Helyezze az anyagot elöl a varrótalp **21** alá és varrjon egy próbavarrást (51. pont). Közben ne húzza anyagot, mert különben a tű elgörbület vagy akár el is törhet.
- Ha az anyag végére ért, varrjon tovább kb. 15 - 20 cm-et.
- A vágókés segítségével vágja le az üres láncot hátul a gépen (52. ábra).



51. ábra



52. ábra

Javasolt szálfeszességi beállítások

i Tudnivaló:

A szálfeszességi beállítások valamennyi adata az egyes öltésfajtákhoz csak irányérték. A feszesség mindig függ a varrt anyag fajtájától és vastagságától, a tű erősségétől, valamint a céna anyagösszetételétől, vastagságától és fajtájától.

Ezért mindenképpen szükséges próbavarrást végezni. Csak így lehet látni, hogy a feszességi beállítás megfelelő-e, vagy változtatni kell-e rajta valamit.

2 szálás szegő láncöltés (overlock)

Ennek az öltésnek az öltési képe az 53. ábrán látható.

Ezt az öltést egy tűvel és 2 szállal könnyű vagy nyújtható anyagok szegélyének tisztázásához használjuk. A tű helyzetének megváltoztatásával keskeny vagy széles láncöltést kapunk.

Állítsa a szálfeszesség választót **14** **15** **16** **17** a megfelelő értékre (lásd a táblázatot) és varrjon próbavarrást a használt anyagra.

Ehhez az öltésfajtához dugja a felső hurokfogó betétet a felső hurokfogóba **19**.

Anyagok	Szálfeszesség			
	kék	zöld	piros	sárga
könnyű anyag	2,0	-	Felső hurokfogó betét behelyezése	0
közepesen nehéz anyag	2,5	-	Felső hurokfogó betét behelyezése	0
nehéz anyag	3,5	-	Felső hurokfogó betét behelyezése	0,5

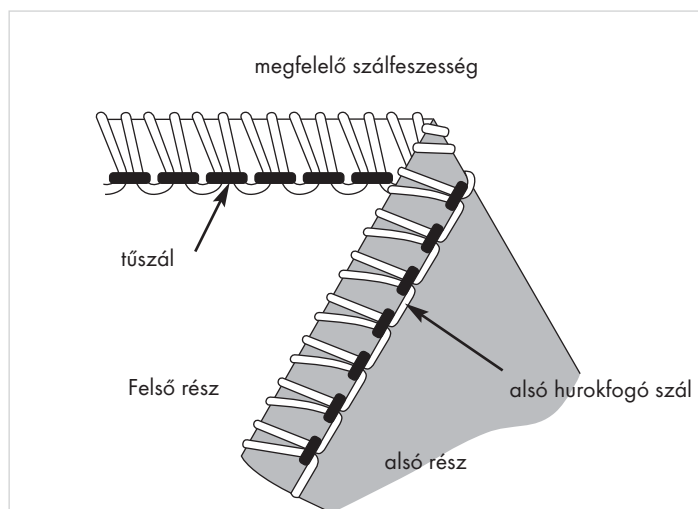
Anyagok	Szálfeszesség			
	kék	zöld	piros	sárga
könnyű anyag	-	1,5	Felső hurokfogó betét behelyezése	0,5
közepesen nehéz anyag	-	1,5	Felső hurokfogó betét behelyezése	0,5
nehéz anyag	-	3,0	Felső hurokfogó betét behelyezése	1,5

Ha az alsó hurokfogó szála túl feszesnek tűnne, vagy ha a tűszál túl laza lenne (54. ábra):

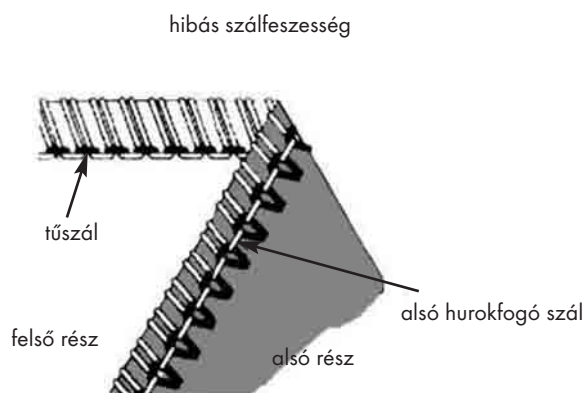
- fordítsa el az alsó hurokfogóhoz való szálfeszességválasztót **17** (sárga) alacsonyabb számra, vagy...
- fordítsa el a tű szálfeszességválasztóját (kék **14** vagy sárga **15**) nagyobb számra.

Ha az alsó hurokfogó szála túl lazának tűnik (55. ábra), fordítsa el az alsó hurokfogó szálijához tartozó szálfeszességválasztót **17** (sárga) magasabb számra.

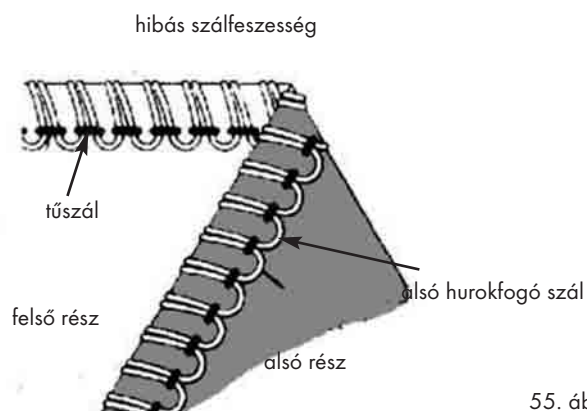
Tűállás	
Öltésszélesség kapcsoló	S
öltéshossz	2 - 4
felső hurokfogóbetét	behelyezés



53. ábra



54. ábra



55. ábra

2 szálás szegőöltés

Ennek az öltésnek az öltési képe az 56. ábrán látható.

Ezt az öltést egy tűve és 2 szállal normál anyagok szegő öltéssel való tisztázásához használjuk. Ideális lapos öltésekhez (dupla vagy szélvarrások) és a rejtett szegőöltéshez is.

A tű helyzetének megváltoztatásával keskeny vagy széles szegőöltést kapunk.

Állítsa a szálfeszesség választót **14** **15** **16** **17** a megfelelő értékre (lásd a táblázatot) és varrjon próbavarrást a használt anyagra.

Ehhez az öltésfajtaéhoz dugja a felső hurokfogó betétet a felső hurokfogóba **19**.

Tűállás	
Öltésszélesség kapcsoló	S
öltéshossz	2 - 4
felső hurokfogóbetét	behelyezés

Anyagok	Szálfeszesség			
	kék	zöld	piros	sárga
könnyű anyag	0,5	-	Felső hurokfogó betét behelyezése	1,0
közepesen nehéz anyag	0,5	-	Felső hurokfogó betét behelyezése	1,5
nehéz anyag	1,0	-	Felső hurokfogó betét behelyezése	1,5

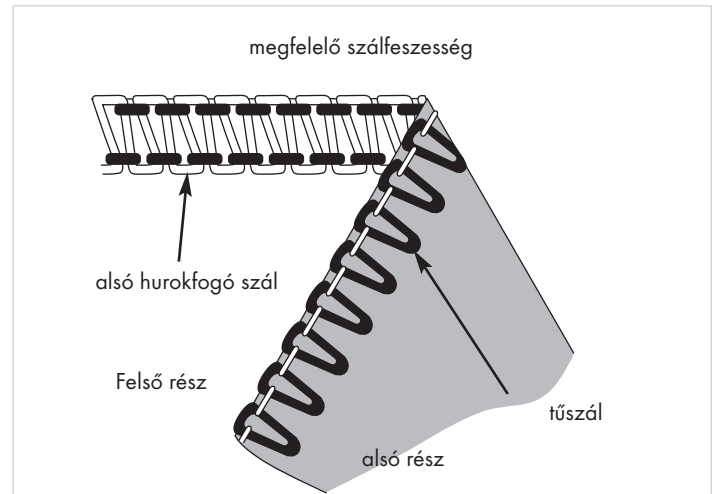
Anyagok	Szálfeszesség			
	kék	zöld	piros	sárga
könnyű anyag	-	1,0	Felső hurokfogó betét behelyezése	3,0
közepesen nehéz anyag	-	1,5	Felső hurokfogó betét behelyezése	3,5
nehéz anyag	-	1,5	Felső hurokfogó betét behelyezése	3,5

Ha az alsó hurokfogó szál az anyag alján van (57. ábra):

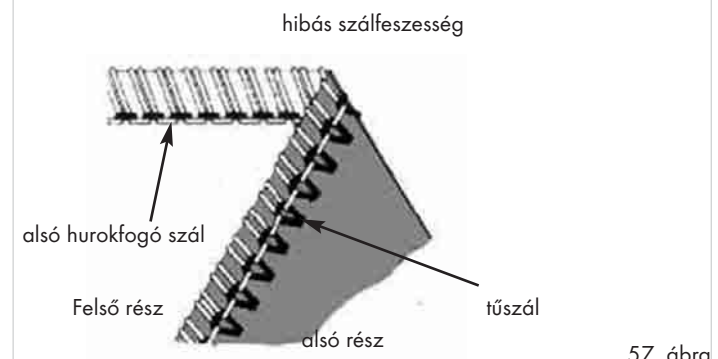
- fordítsa el az alsó hurokfogóhoz való szálfeszességválasztót **17** (sárga) magasabb számra, vagy...
- fordítsa el a tű szálfeszességválasztóját (kék **14** vagy zöld **15**) alacsonyabb számra.

Ha a tűszál túl laza (58. ábra):

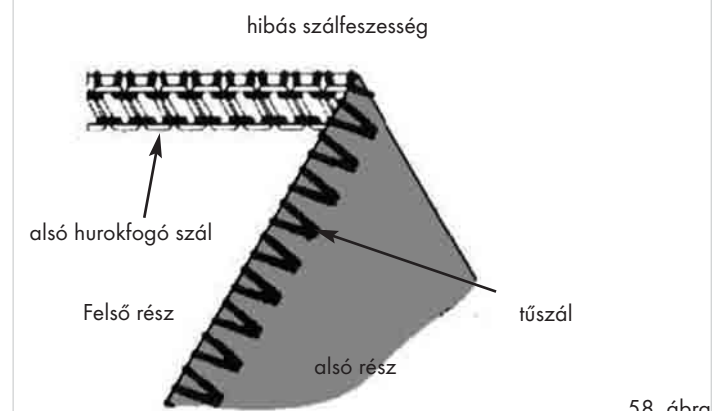
- fordítsa el a tű szálfeszességválasztóját (kék **14** vagy sárga **15**) nagyobb számra.
- fordítsa el az alsó hurokfogóhoz való szálfeszességválasztót **17** (sárga) alacsonyabb számra, vagy...



56. ábra



57. ábra



58. ábra


3 szálás láncöltés (overlock)

Ennek az öltésnek az öltési képe az 59. ábrán látható.

Ezt az öltést egy tűvel és 3 szállal normál vagy nyújtható anyagok szegélyének tisztázásához használjuk.

A tű helyzetének megváltoztatásával keskeny vagy széles láncöltést kapunk.

Állítsa a szálfeszesség választót **14** **15** **16** **17** a megfelelő értékre (lásd a táblázatot) és varrjon próbavarrást a használt anyagra.

Tűállítás	
Öltésszélesség kapcsoló	S
öltéshossz	2 - 4
felső hurokfogóbetét	nem szükséges

Anyagok	Szálfeszesség			
	kék	zöld	piros	sárga
könnyű anyag	2,0	-	2,0	1,0
közepesen nehéz anyag	3,0	-	2,0	1,5
nehéz anyag	3,0	-	3,0	1,5

Anyagok	Szálfeszesség			
	kék	zöld	piros	sárga
könnyű anyag	-	2,0	7,0	2,0
közepesen nehéz anyag	-	2,5	6,5	2,5
nehéz anyag	-	3,5	6,5	2,5

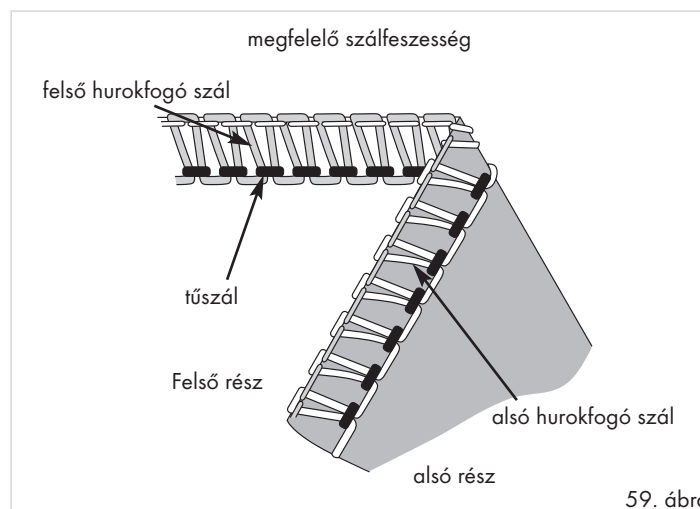
Ha a felső hurokfogó szál az anyag alján van (60. ábra):

- fordítsa el a felső hurokfogóhoz való szálfeszességválasztót **16** (piros) magasabb számra, vagy...
- fordítsa el az alsó hurokfogóhoz való szálfeszességválasztót **17** (sárga) alacsonyabb számra, vagy...

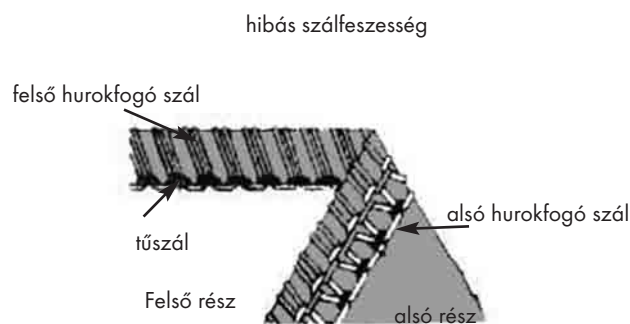
Ha az alsó hurokfogó szál az anyag színén van (61. ábra):

- fordítsa el az alsó hurokfogóhoz való szálfeszességválasztót **17** (sárga) magasabb számra, vagy...
- fordítsa el a felső hurokfogóhoz való szálfeszességválasztót **16** (piros) alacsonyabb számra, vagy...

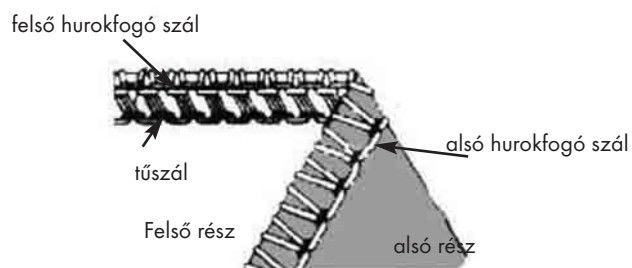
Ha a tűszál túl lazának tűnik (62. ábra), fordítsa el a tűszál szálfeszességválasztóját (kék **14** vagy zöld **15**) magasabb számra.



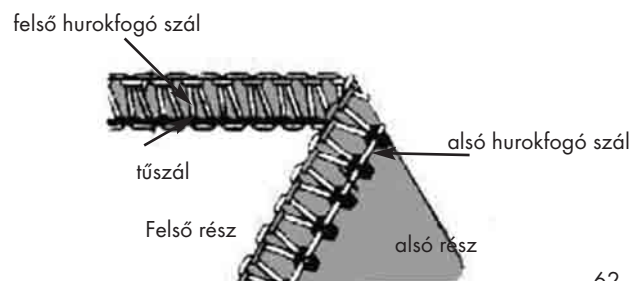
59. ábra



60. ábra



61. ábra



62. ábra

3 szálás flatlock öltés (lapos díszítő öltés)

Ennek az öltésnek az öltési képe az 63.ábrán látható.

Ezt az öltést egy tűvel és három szállal szegély- vagy dupla varráshoz és dekoratív szállal történő díszítésekhez használjuk. A tű helyzetének megváltoztatásával keskeny vagy széles flatlock öltést kapunk (lapos öltés).

Állítsa a szálfeszesség választót **14** **15** **16** **17** a megfelelő értékre (lásd a táblázatot) és varrjon próbavarrást a használt anyagra.

Anyagok	Szálfeszesség			
	kék	zöld	piros	sárga
könnyű anyag	0,5	-	2,5	2,5
közepesen nehéz anyag	0,5	-	2,0	2,0
nehéz anyag	1,0	-	3,0	3,0

Anyagok	Szálfeszesség			
	kék	zöld	piros	sárga
könnyű anyag	-	0	7,0	4,0
közepesen nehéz anyag	-	0,5	7,0	4,0
nehéz anyag	-	1,0	7,0	4,0

Ha az alsó hurokfogó szála túl laza (64. ábra):

- fordítsa el az alsó hurokfogóhoz való szálfeszességválasztót **17** (sárga) magasabb számra, vagy...
- fordítsa el a tű szálfeszességválasztóját (kék **14** vagy zöld **15**) alacsonyabb számra.

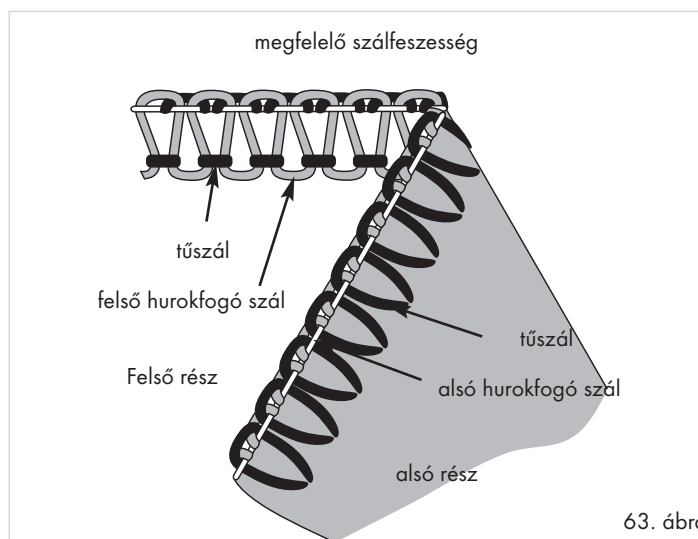
Ha a felső hurokfogó szála túl laza (65. ábra):

- fordítsa el a felső hurokfogóhoz való szálfeszességválasztót **16** (piros) magasabb számra, vagy...
- fordítsa el a tű szálfeszességválasztóját (kék **14** vagy zöld **15**) alacsonyabb számra.

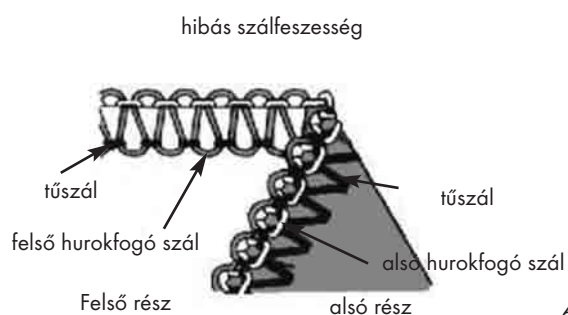
Ha a tűszál túl laza (66. ábra):

- fordítsa el a tű szálfeszességválasztóját (kék **14** vagy sárga **15**) nagyobb számra.
- fordítsa el a felső hurokfogóhoz való szálfeszességválasztót **16** (piros) alacsonyabb számra, vagy...

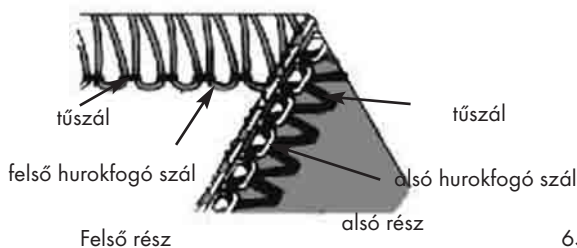
Tűállás	
Öltésszélesség kapcsoló	S
öltéshossz	2 - 4
felső hurokfogó betét	nem szükséges



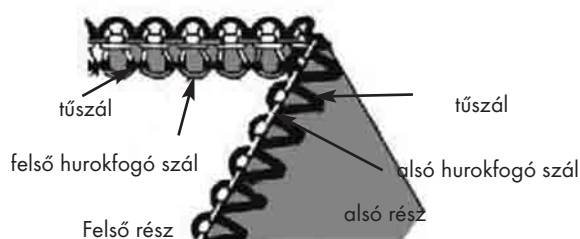
63. ábra



64. ábra



65. ábra



66. ábra


3 szálás szegő láncöltés (overlock)

Ennek az öltésnek az öltési képe az 67.ábrán látható.

Ezt az öltést egy tűvel és három száállal például díszszegélyek varrására használjuk.

A tű helyzetének megváltoztatásával keskeny vagy széles szegő láncöltést kapunk.

Állítsa a szálfeszesség választót **14** **15** **16** **17** a megfelelő értékre (lásd a táblázatot) és varrjon próbavarrást a használt anyagra.

Tűállítás	
Öltésszélesség kapcsoló	S
öltéshossz	2 - 4
felső hurokfogó betét	nem szükséges

Anyagok	Szálfeszesség			
	kék	zöld	piros	sárga
könnyű anyag	2,0	-	0	4,0
közepesen nehéz anyag	3,0	-	0,5	6,5
nehéz anyag	4,0	-	0,5	7,5

Anyagok	Szálfeszesség			
	kék	zöld	piros	sárga
könnyű anyag	-	1,5	0	5,0
közepesen nehéz anyag	-	2,5	1,0	7,0
nehéz anyag	-	3,0	1,5	8,0

Ha a felső hurokfogó szála túl laza (68. ábra):

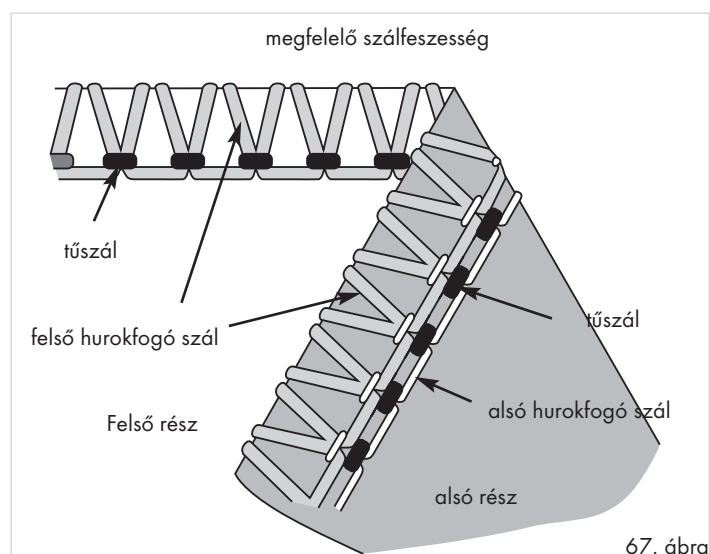
- fordítsa el a felső hurokfogóhoz való szálfeszességválasztót **16** (piros) magasabb számra, vagy...

Ha az alsó hurokfogó szála túl laza (69. ábra):

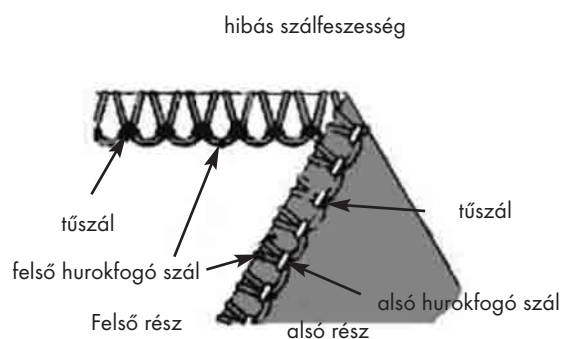
- fordítsa el az alsó hurokfogóhoz való szálfeszességválasztót **17** (sárga) magasabb számra, vagy...
- fordítsa el a felső hurokfogóhoz való szálfeszességválasztót **16** (piros) alacsonyabb számra, vagy...

Ha a tűszál túl laza (70. ábra):

- fordítsa el a tű szálfeszességválasztóját (kék **14** vagy sárga **15**) nagyobb számra.
- fordítsa el a felső hurokfogóhoz való szálfeszességválasztót **16** (piros) alacsonyabb számra, vagy...



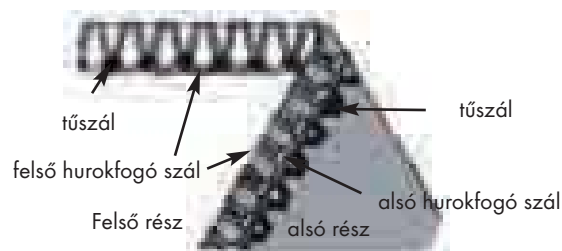
67. ábra



68. ábra



69. ábra



70. ábra

3 szálás biztonsági öltés, erősen nyújtható, imitált

Ennek az öltésnek az öltési képe az 71. ábrán látható.

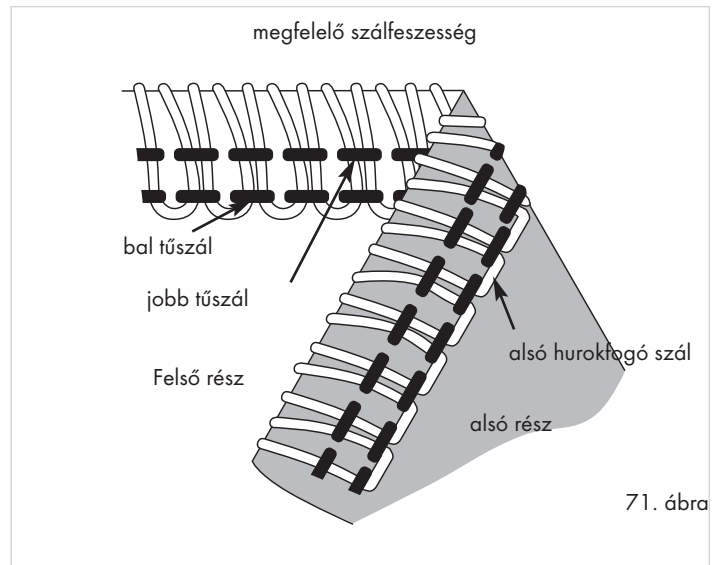
Ezt az öltést két tűvel és három szállal varrjuk, ideális könnyű, rendkívül nyúlós anyagokhoz, pl. trikóhoz és elasztánhoz.

Állítsa a szálfeszesség választót **14** **15** **16** **17** a megfelelő értékre (lásd a táblázatot) és varrjon próbavarrást a használt anyagra.

Ehhez az öltésfajtaéhoz dugja a felső hurokfogó betétet a felső hurokfogóba **19**.

Tűállítás	
Öltésszélesség kapcsoló	S
öltéshossz	2 - 4
felső hurokfogó betét	behelyezés

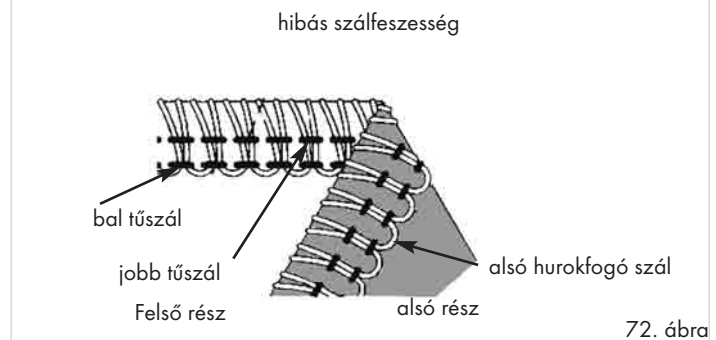
Anyagok	Szálfeszesség			
	kék	zöld	piros	sárga
könnyű anyag	2,0	1,5	Felső hurokfogó betét behelyezése	0
közepesen nehéz anyag	3,0	2,0	Felső hurokfogó betét behelyezése	0,5
nehéz anyag	4,0	3,0	Felső hurokfogó betét behelyezése	1,0



71. ábra

Ha az alsó hurokfogó szála túl laza (72. ábra):

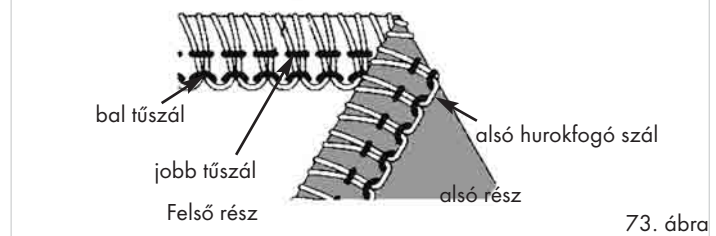
- fordítsa el az alsó hurokfogóhoz való szálfeszességválasztót **17** (sárga) magasabb számra, vagy...



72. ábra

Ha a bal tűszál túl laza (73. ábra):

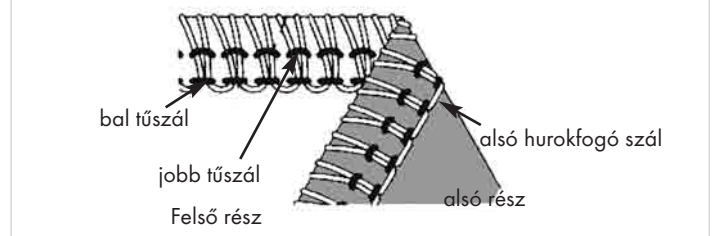
- fordítsa el a bal tű szálfeszességválasztóját **14** (kék) nagyobb számra.



73. ábra

Ha a jobb tűszál túl laza (74. ábra):

- fordítsa el a jobb tű szálfeszességválasztóját **15** (zöld) nagyobb számra.



74. ábra

4 szálás biztonsági öltés, erősen nyújtható, imitált

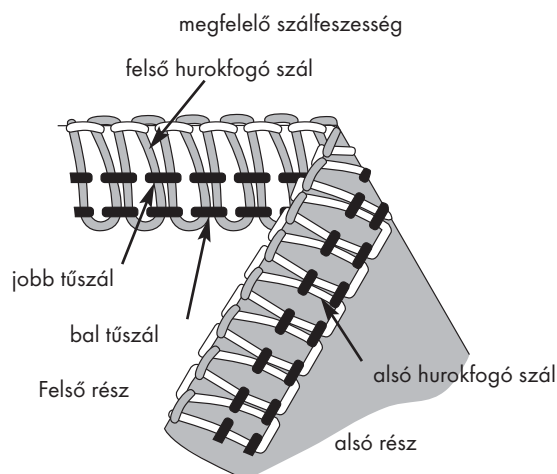
Ennek az öltésnek az öltési képe az 75.ábrán látható.

Ezt az öltést két tűvel és négy szállal varrjuk, ideális közepes és nehéz, nyúlós anyagokhoz, mint pl. dupla kötöttáruhoz és úszóruházathoz. Arra való, hogy két anyagot összekössünk vele és egyben a szegélyüket is eltisztázzuk.

Állítsa a szálfeszesség választót **14** **15** **16** **17** a megfelelő értékre (lásd a táblázatot) és varrjon próbavarrást a használt anyagra.

Anyagok	Szálfeszesség			
	kék	zöld	piros	sárga
könnyű anyag	2,5	2,0	2,5	2,0
közepesen nehéz anyag	3,0	2,0	3,0	2,0
nehéz anyag	4,0	2,5	4,0	2,5

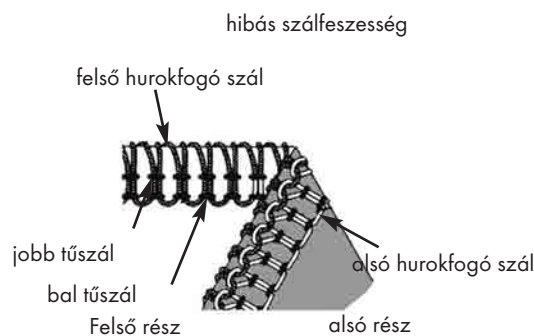
Tűállítás	
Öltésszélesség kapcsoló	S
öltéshossz	2 - 4
felső hurokfogó betét	nem szükséges



75. ábra

Ha a felső hurokfogó szál az anyag alján van (76. ábra):

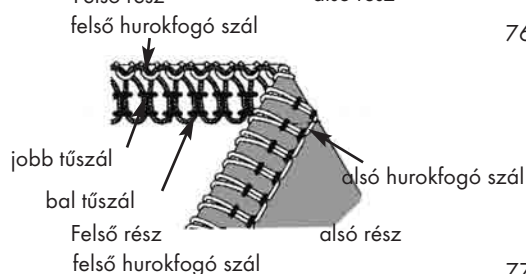
- fordítsa el a felső hurokfogóhoz való szálfeszességválasztót **16** (piros) magasabb számra, vagy...
- fordítsa el az alsó hurokfogóhoz való szálfeszességválasztót **17** (sárga) alacsonyabb számra, vagy...



76. ábra

Ha az alsó hurokfogó szál az anyag színén van (77. ábra):

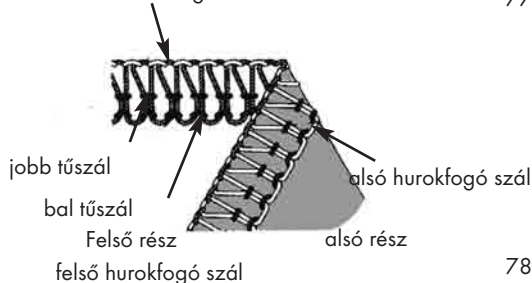
- fordítsa el az alsó hurokfogóhoz való szálfeszességválasztót **17** (sárga) magasabb számra, vagy...
- fordítsa el a felső hurokfogóhoz való szálfeszességválasztót **16** (piros) alacsonyabb számra, vagy...



77. ábra

Ha a bal tűszál túl laza (78. ábra):

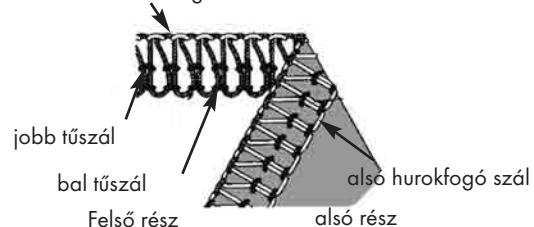
- fordítsa el a bal tű szálfeszességválasztóját **14** (kék) nagyobb számra.



78. ábra

Ha a jobb tűszál túl laza (79. ábra):

- fordítsa el a jobb tű szálfeszességválasztóját **15** (zöld) nagyobb számra.



79. ábra

Befordított szegélyek

Ezzel a géppel négy különböző befordított szegélyt lehet varrni. A befordított szegélyek varrásokor behajtjuk az anyag szegélyét és overlock öltéssel varrjuk át. Ehhez a fajta szegélyhez olyan könnyű anyagok valók, mint a batiszt, chiffon, vagy organza, stb. A nehéz, vagy merev szövetek nem valók befordított szegélyre.

- Vegye ki a bal tűt.
- Állítsa az öltésszélesség kapcsolót **23** „R”-re (80. ábra).
- Állítsa be a kiláncoló nyelv védőlemezét az „R” jelölésen a túlemezen az öltésszélesség állító gomb elfordításával **24** (81. ábra).
- Állítsa az öltéshossz állítókerekét **5** „F - 2”-re (82. ábra). Így vékony varrást varrunk.
- Befordított szegélyekhez használja a 14. számú tűt.

i Tudnivalók:

- Behajtott szegélyhez sok különböző szálkombinációkat lehet használni. Ha különösen szép behajtott szegélyt szeretnénk (3 szálás behajtott szegélyt), használjunk fésült poliamid cérnát/Woolly Nylon felső hurokfogó szálnak és normál szálat a tűhöz és az alsó hurokfogóhoz. A kétszálás befordított szegélyhez használjunk fésült cérnát az alsó hurokfogó szálnak és normál cérnát a tűszálnak.
- A varrás elején fogjuk meg az üres láncot, hogy ne gurulhasson be az öltésbe.
- Enyhén tartsa feszesen az anyagot a varrás irányába. Így vékonyabb lesz a varrás.
- Mielőtt levágná az üres láncot az anyag közelében, tegyen egy kis csepp anyagragasztót a varrásra és hagyja megszáradni. Előtte ellenőrizze, hogy az anyag szintartó-e.

3 szálás behajtott szegés

Ennek az öltésnek az öltési képe az 83. ábrán látható.

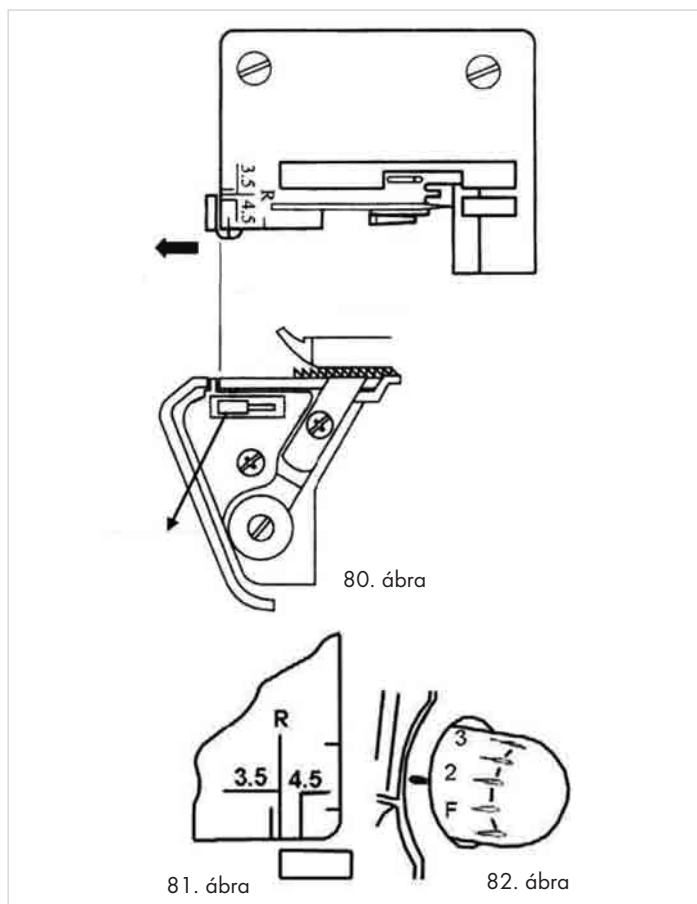
felső hurokfogó szál	Szálfehértség			
	kék	zöld	piros	sárga
poliészter	-	2,0	7,5	3,0
fésült cérna	-	2,0	2,0	2,0

Állítsa a szálfehértség választót **15** **16** **17** a megfelelő értékre (lásd a táblázatot) és varrjon próbavarrást a használt anyagra.

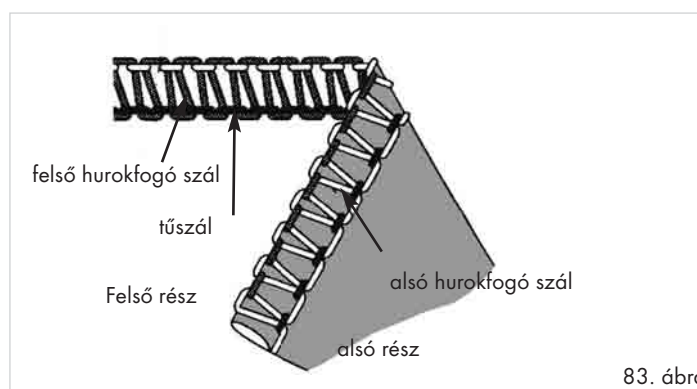
3 szálás felső hurokfogó szegő befordított szegély

Ennek az öltésnek az öltési képe a 84. ábrán látható. Állítsa a szálfehértség választót **15** **16** **17** a kívánt értékre (lásd a táblázatot) és varrjon próbavarrást a használt anyagra.

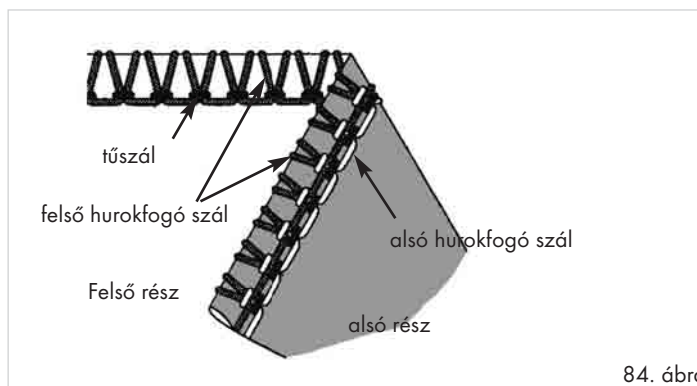
felső hurokfogó szál	Szálfehértség			
	kék	zöld	piros	sárga
poliészter	-	2,0	5,5	7,0
fésült cérna	-	2,0	0	2,5



Tűállás	
Öltésszélesség kapcsoló	R
öltéshossz	F - 2
felső hurokfogó betét	nem szükséges



83. ábra



84. ábra


2 szálás behajtott szegés

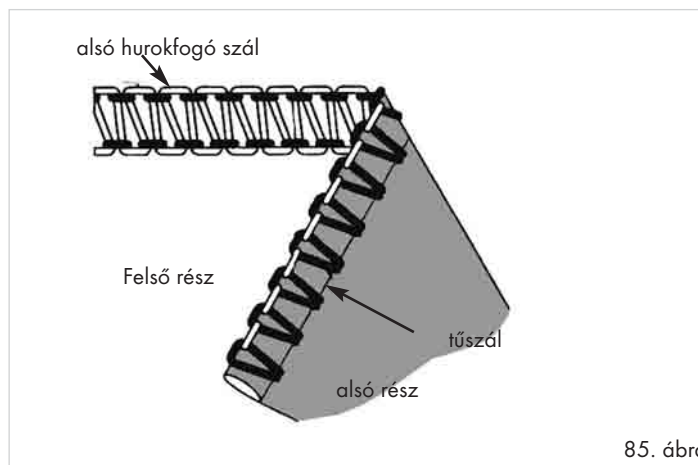
Ennek az öltésnek az öltési képe az 85. ábrán látható.

Állítsa a szálfeszesség választót **15** **17** a megfelelő értékre (lásd a táblázatot) és varrjon próbavarrást a használt anyagra.

Ehhez az öltésfajtához dugja a felső hurokfogó betétet a felső hurokfogóba **19**.

alsó hurokfogó szál	Szálfeszesség			
	kék	zöld	piros	sárga
fésült cérna	-	1,5	Felső hurokfogó betét behelyezése	1,5

Tűállás	
Öltésszélesség kapcsoló	R
öltéshossz	F - 2
felső hurokfogó betét	behelyezés



85. ábra


2 szálás alsó hurokfogó szegő öltés behajtott szegély

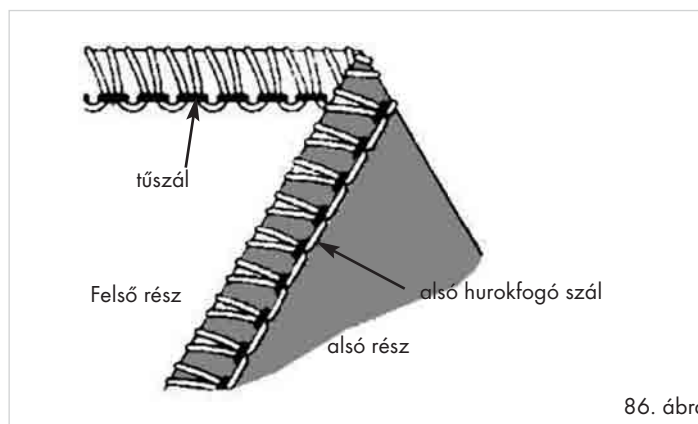
Ennek az öltésnek az öltési képe az 86. ábrán látható.

Állítsa a szálfeszesség választót **15** **17** a megfelelő értékre (lásd a táblázatot) és varrjon próbavarrást a használt anyagra.

Ehhez az öltésfajtához dugja a felső hurokfogó betétet a felső hurokfogóba **19**.

alsó hurokfogó szál	Szálfeszesség			
	kék	zöld	piros	sárga
poliészter	-	2,0	Felső hurokfogó betét behelyezése	2,0
fésült cérna	-	1,5	Felső hurokfogó betét behelyezése	1,5

Tűállás	
Öltésszélesség kapcsoló	R
öltéshossz	F - 2
felső hurokfogó betét	behelyezés



86. ábra

Flatlock díszítő öltések

Ha flatlock öltéssel szeretnénk varrni, állítsuk be a szálfeszességet 3 szálás overlock öltéshez. Varrja végig, majd húzza szét az anyagot, hogy kisimítsa a varrást.

A flatlock öltést dekoratív összevarró öltésnek vagy sima díszöltésnek is lehet használni (87. ábra, sötét szál).

📌 **Tudnivalók:**

- Ügyeljen a megfelelő szálfeszességre, hogy az anyag varrás után jól széthúzható legyen.
- Használjon dekoratív szálat a felső hurokfogóba, mert ez a legfontosabb szál, ami később jól látható.

1. Vegye ki a jobb ill. a bal tűt (88. ábra)

2. Állítsa be a javasolt szálfeszességi beállítást (pl. 3 szálás overlock öltéshez (89. ábra)
3. Ezután lényegesen lazábbra állítsa be a felső szál feszességét (zöld ill. kék).
4. Engedje le a felső hurokfogó szálfeszességét is (piros) egy kicsit.
5. Ezután jóval feszesebbre állítsa be a felső hurokfogó szálfeszességét (sárga).

Flatlock öltés összekötő öltésként

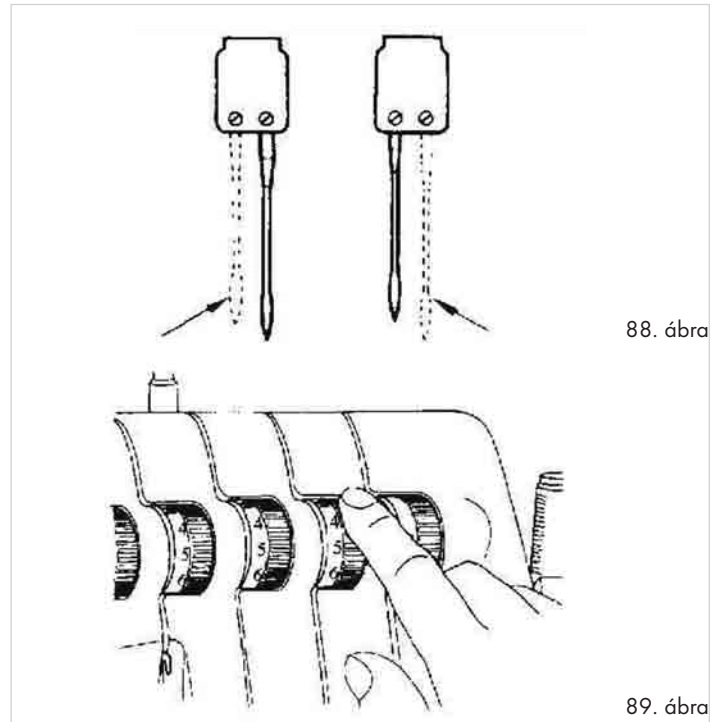
- Helyezze mindkét megvarrandó anyagrészt fonákát a fonákára egymásra, hogy a jobb oldalon dekoratív öltést varrhasson.
- Varrja végig és közben vágja le a felesleges anyagot (90. ábra).

Ennek az öltésnek az öltési képe az 91. ábrán látható.

- A felső szál (tűszál) (zöld vagy kék) az anyag hátoldalán V alakban húzódik.
- Az alsó hurokfogó szál egyenes vonatként húzódik az anyag szélén.
- Húzza szét az anyagot az öltés mindkét oldalán, hogy az öltések kisimuljanak.

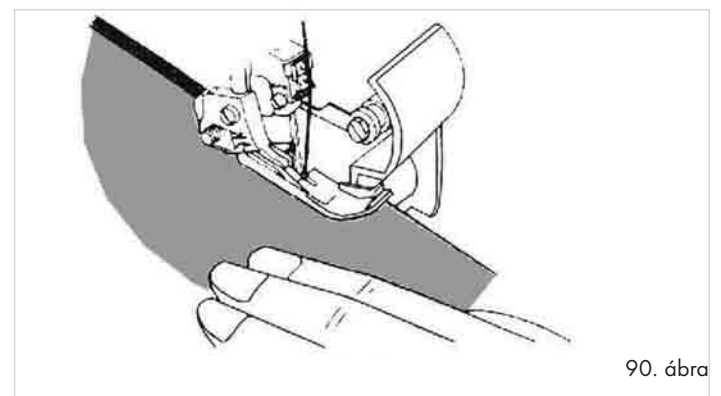


87. ábra

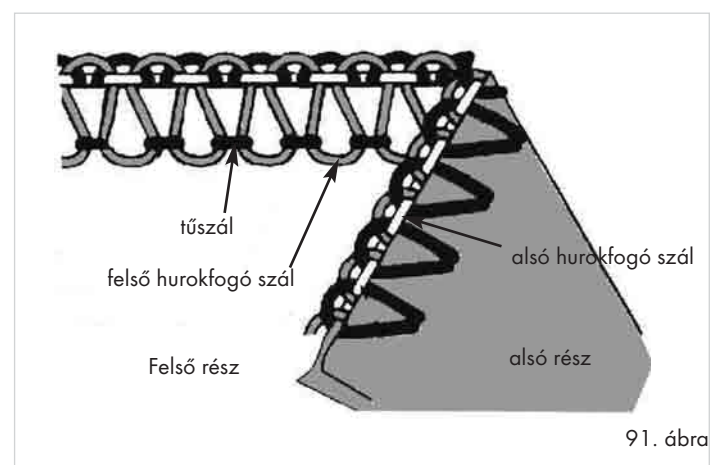


88. ábra

89. ábra



90. ábra

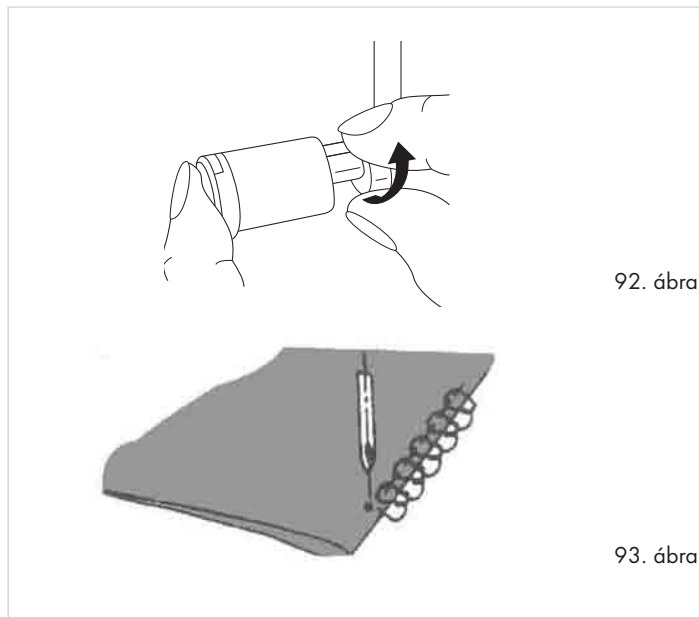


91. ábra

Flatlock öltés díszöltésként

- Állítsa a mozgó felső kést **10** nyugalmi állásba (92. ábra). Ennél az öltésnél az anyagot nem vágja el.
- Hajtsa be az anyagokat úgy, hogy mindkét fonák bal oldal egymáson legyen.

- Úgy helyezze el az anyagot, hogy az öltés egy részét az anyagon kívül varrja (93. ábra).
- Varrja végig a varrást.
- Ezután hajtsa szét az anyagot. Az öltések kisimulnak.

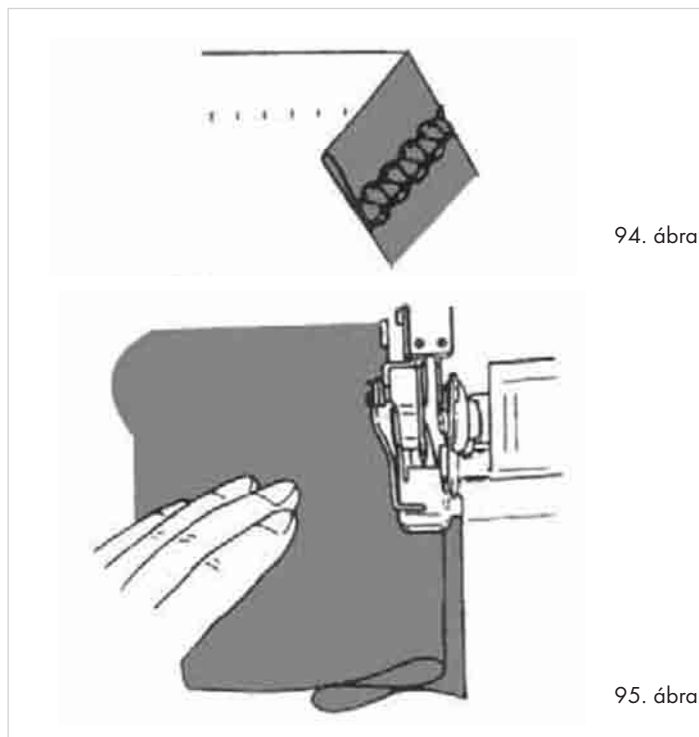


Overlock rejtett szegőöltés (hólozás)

Az overlock rejtett szegőöltés leginkább kötöttáruhoz való. Tartós szélszegést biztosít és közben szinte nem látható (94. ábra).

Egy munkamenetben levágja a gép a felesleges anyagot, felvarrja a szegélyt és a szegélyeket overlock öltéssel szegi el.

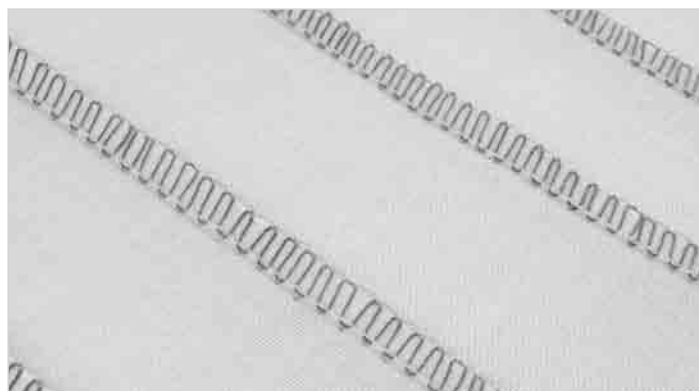
1. Vegye ki a bal tűt és állítsa be a gépet vékony 3 szálás overlock öltésre.
2. Állítsa be az öltéshosszat 4-re.
3. Először a szegélyt úgy hajtsa be az anyag fonákára, majd a színére, hogy az anyag szegélye 6 mm-rel nyúljon túl az első redőn (95. ábra).
4. Óvatosan varrjon végig a szélén. Közben a tű egyenesen szúrjon bele a szél szélébe.



Hajszálredők

Ha a ruhadarabot díszíteni szeretné, kiszabás előtt hajszálredőket tehet bele (96. ábra). A hajszálredők olyan díszítések, melyek a 96. ábrán láthatóak.

1. Vegye ki a bal tűt és állítsa be a gépet vékony 3 szálás overlock öltésre.
2. Állítsa a felső kést **10** nyugalmi állásba.
3. Ha egyenletes eredményt szeretne elérni, rajzolja be előtte mosható textiljelölővel, vagy krétával az anyagra a hajszálredők számát.
4. A fonákán hajtsa össze az anyagot és varrja le.
5. Ha valamennyi hajszálredőt felvarrt, vasalja el őket az egyik irányba, hogy egyenletesen kifeküdjenek.

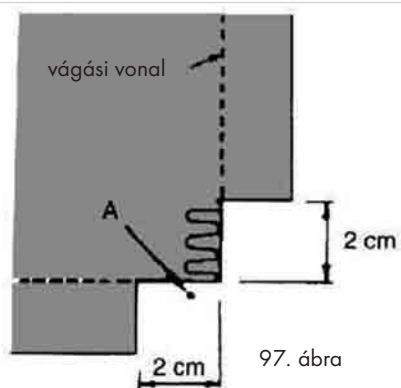


96. ábra

Sarkok varrása

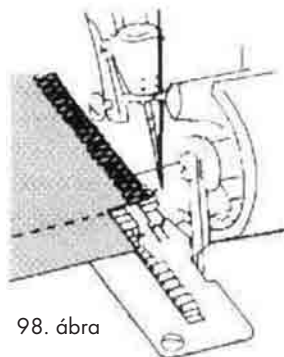
Külső sarkok

1. Vágjon le a sarok előtt és után kb. 2 cm-t a varrásvonalig (97. ábra).
2. Varrjon egy öltéssel tovább, mint az ábrán lévő „A” jelölés, majd steppelje le (97. ábra).

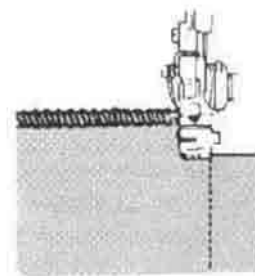


97. ábra

3. Szellőztesse a tűt és a varrótalpat 21.
4. Húzza hátra annyira az anyagot, hogy kioldódjon a szál, melyet a túlemez ujjja 18 tart. (A jobb felismerhetőség kedvéért a mellékelt rajzról elhagytuk a varrótalpat 21 - 98. ábra)
5. Fordítsa el az anyagot és süllyessze le a varrótalpat 21, hogy a felső kés 18 egy vonalban legyen a vágási széllel (99. ábra).
6. Húzza ki felfele a laza szálát és varrjon tovább.



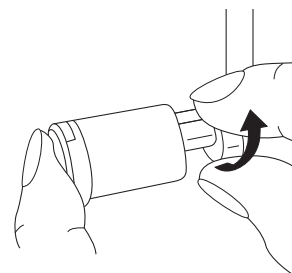
98. ábra



99. ábra

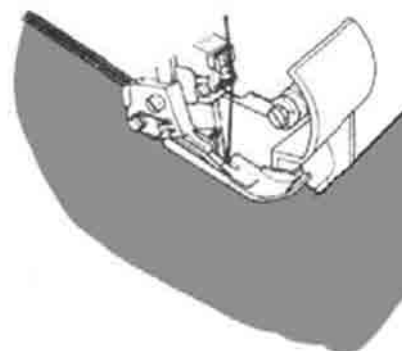
Belső szegletek

1. Vágja le az anyagot a varrás szélén.
2. Állítsa a mozgó felső kést 18 nyugalmi állásba (100. ábra).

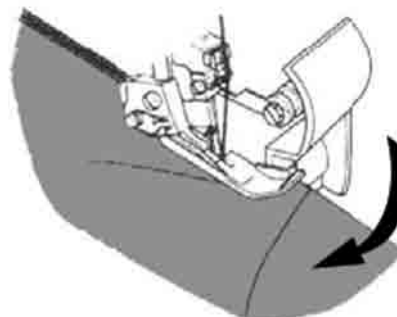


100. ábra

3. Varrjon a vágási szegélyen (101. ábra).
4. Álljon meg a varrásban röviddel a sarok elérése előtt.
5. Helyezzen a sarokpont előtt egy redőt, hogy a két szél egy vonalat képezzen (102. ábra).
6. Varrja lassan a sarkon át a második szegélyt. Közben ügyeljen arra, hogy a berakást ne varrja le!



101. ábra



102. ábra

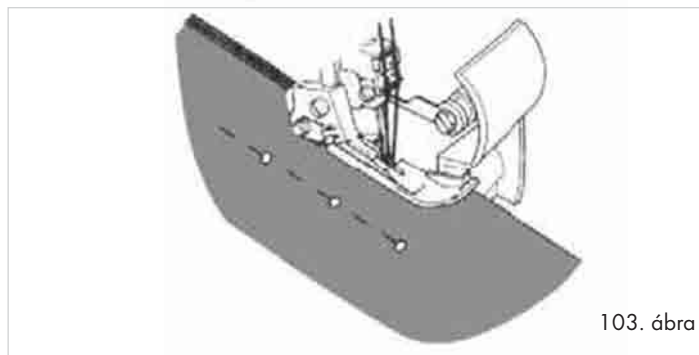
Tippek és ötletek

Gombostű beszúrása

A gombostűket mindig a varrótalptól **21** balra szúrja be (103. ábra). Így a gombostűk nincsenek a kés **18** **22** vágási tartományában és ezután könnyen ki lehet őket venni.

⚠ Figyelem! Kár keletkezhet a készülékben!

Ne menjen át a varrótalppal varrás közben gombostűn vagy más anyagon. A kés **18** **22** közben helyrehozhatatlanul megsérülhet!



103. ábra

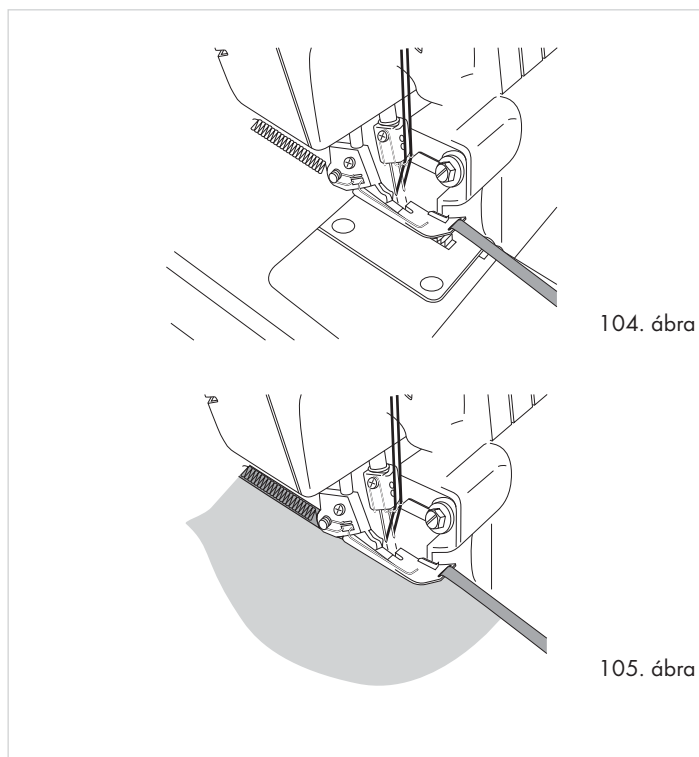
Üres lánc biztosítása

Fűzze be az üres láncot egy varrótűbe, ha meg szeretné akadályozni, hogy az üres lánc kibomoljon. Dugja be a tűt a varrás végébe, hogy lezárja.

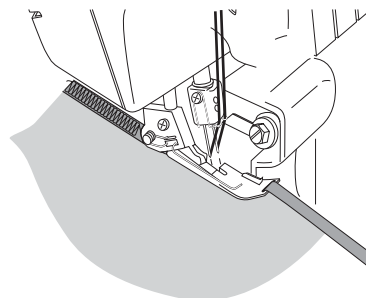
Szegély megerősítése

A varrást úgy lehet megerősíteni, ha pántot varrunk bele. Ehhez dugja a pántot a varrótalp **21** első részén lévő nyílásba (104. ábra).

Helyezze a pántot a talp alá hátra és varrjon. Így a szalagot belevarrja a varrásba (105. ábra).



104. ábra



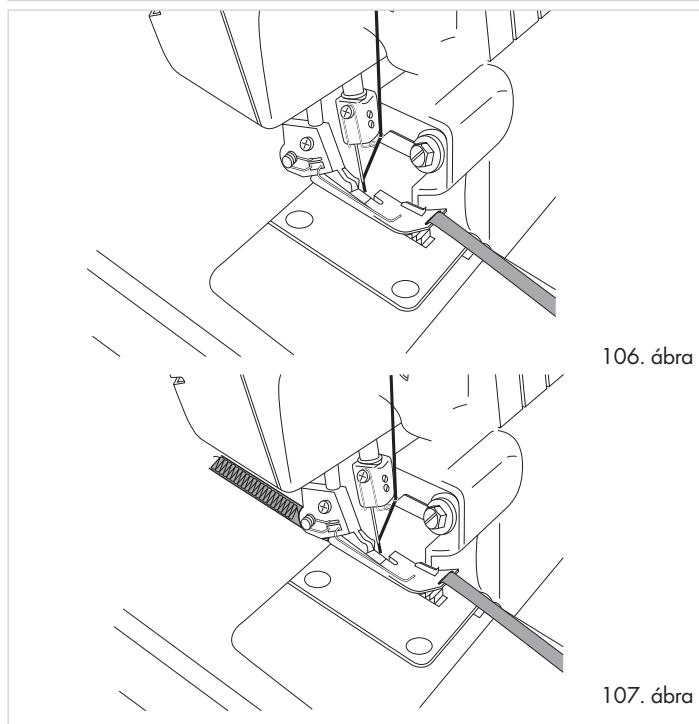
105. ábra

Díszítő szegély

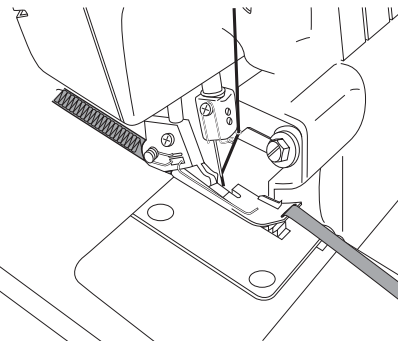
1. Állítsa a felső kést **18** nyugalmi állásba.
2. Vegye ki a jobb tűt és a hozzá tartozó szálát.
3. Húzza át a zsinórbetétet (fonalat vagy danubia szalagot) a varrótalp **21** első részén lévő nyíláson át (106. ábra).

4. Helyezze a zsinórbetétet a varrótalp **21** alá és varrja le a kívánt hosszát (107. ábra).

Így az elszegett zsinórt külön, vagy egymásba fonva is használhatja.



106. ábra



107. ábra

Karbantartás és tisztítás

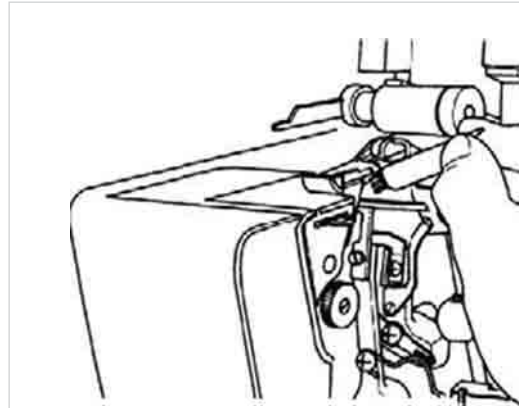
⚠ Figyelem!

Tisztítás és karbantartás előtt mindig húzza ki a csatlakozót a dugaszoló aljzathoz. Ez megakadályozza, hogy a gép véletlenül elinduljon. Máskülönben sérülés veszélye áll fenn!

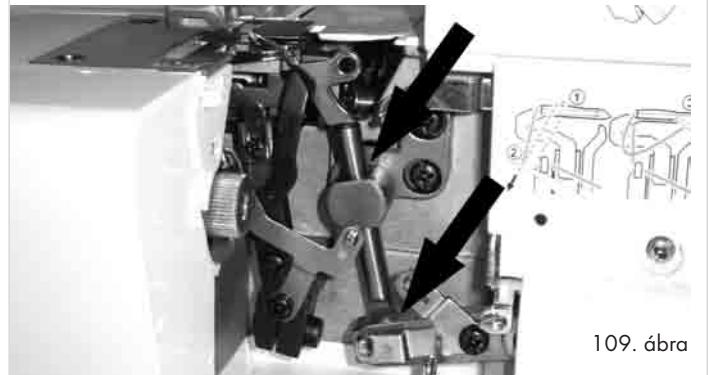
Tisztítás és kenés

- Rendszeresen szedje ki a port és bolyhot a hurokfogó és kés részéről. Ehhez használhatja a mellékelt ecsetet (108. ábra).
- Enyhén nedves ronggyal törölje le a gépet.

- Rendszeresen kenje meg a gépet a 109. ábrán lévő kenési pontokon. Ehhez kizárólag varrógépolajat használjon.



108. ábra



109. ábra

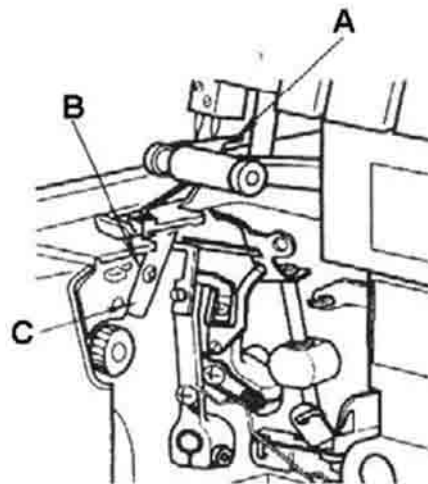
Az alsó kés cseréje

⚠ Figyelem!

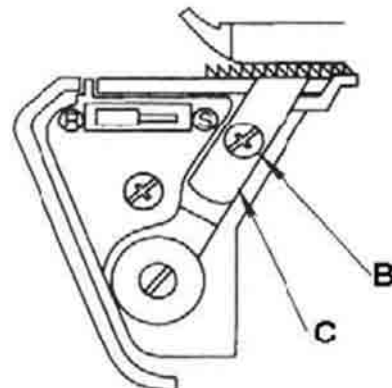
A kés **22** cseréje előtt mindig húzza ki a csatlakozót a dugaszoló aljzathoz. Ez megakadályozza, hogy a gép véletlenül elinduljon. Máskülönben sérülés veszélye áll fenn!

Cserélje ki az alsó kést **22**, ha észreveszi, hogy már nem vág megfelelően és élesen. Ennek a 110. ábrán nézhet utána.

1. Nyissa ki az elülső burkolatot **10**.
2. Állítsa a felső kést **18** nyugalmi állásba (A).
3. Vegye ki az alsó késen **22** (B) lévő csavart és vegye ki a kést **22** (C) (111. ábra).
4. Tolja az új kést **22** a tartóba és csavarja be.
5. Állítsa a felső kést **18** munkahelyzetbe és csukja be az elülső burkolatot **10**.



110. ábra



111. ábra

Tárolás


Figyelem:

Mindig húzza ki a hálózati dugót a csatlakozóaljzatból, ha elteszi a gépet. Ez megakadályozza, hogy a gép véletlenül elinduljon, mely sérülést és a gép túlhevülését okozhatja!

Ha nem használja a gépet, mindig takarja le a tárolódobozzal. Így védi a gépet, hogy ne porosodjon be. A gépet száraz és tiszta helyen tárolja.

A gépet mindig a kihajtható nyélnél fogva szállítsa.

Ártalmatlanítás

 Semmi esetre se dobja a készüléket a háztartási hulladékba. Ez a termék a 2002/96/EC európai irányelv hatálya alá tartozik.

A készüléket engedélyezett hulladékgyűjtő helyen vagy a helyi hulladékeltávolító üzemnél tudja kidobni.

Vegye figyelembe az érvényben lévő idevonatkozó előírásokat. Kétség esetén vegye fel a kapcsolatot a hulladékfeldolgozó vállalattal.



Minden csomagolóanyagot környezetbarát módon ártalmatlanítson.

A varrógépolajat ne a normál háztartási szemétként dobja ki. Ne öntse a lefolyóba. Az olajat engedélyezett hulladékgyűjtő helyen vagy a helyi hulladékeltávolító üzemnél tudja kidobni.

Garancia és szerviz

A készülékre 3 év garanciát adunk a vásárlás dátumától számítva. A készüléket gondosan gyártottuk, és szállítás előtt lelkiismeretesen ellenőriztük. Kérjük, a vásárlás igazolására őrizze meg a pénztári blokkot. Kérjük, garanciaigény esetén vegye fel a kapcsolatot telefonon az Ön közelében lévő szervizzel. Csak ebben az esetben garantálhatjuk, hogy ingyen tudja beküldeni az árut.

A garancia csak anyag- és gyártási hibára vonatkozik, nem pedig szállítási kárra, kopásra vagy törékeny részek (pl. kapcsoló vagy elem) sérülésére. A termék kizárólag magánhasználatra, nem kereskedelmi használatra készült. A garancia érvényét veszti visszaélészerű vagy szakavatatlan kezelés, erőszak alkalmazása vagy olyan beavatkozások esetén, amelyeket nem engedélyezett szervizelő üzleteink hajtottak végre. Az ön törvényes jogait ez a garancia nem korlátozza.

A garancia nem hosszabbodik meg a jótállással. Ez a cserélt vagy javított részekre is érvényes. Az esetlegesen már megvételkor meglévő károkat és hiányosságokat azonnal kicsomagolás után, de legkésőbb 2 nappal a vásárlás dátuma után jelezni kell. A garancia lejártá után esedékes javítások díjkötelesek.

Gyártja

KOMPERNASS GMBH
BURGSTRASSE 21
44867 BOCHUM, GERMANY

www.kompernass.com

 **Szerviz Magyarország**

Tel.: 0640 102785

E-Mail: kompernass@lidl.hu

Probléma	Ok	Elhárítás
Törik a tű.	• A tűk el vannak görbülve, tompák vagy a hegyük meg van sérülve.	• Tegyen be új tűket.
	• A tűk nincsenek megfelelően behelyezve.	• Helyezze be a tűket megfelelően a tartókba.
	• Túl erősen húzta az anyagot.	• Óvatosan két kézzel vezesse az anyagot.
A cérna elszakad.	• A cérna nincsen jól befűzve.	• Fűzze be helyesen a cérnát.
	• A szálfeszesség túl nagy.	• Csökkentse a szálfeszességet.
	• A tűk nincsenek megfelelően behelyezve.	• Helyezze be a tűket megfelelően a tartókba.
Kimaradnak az öltések	• A tűk el vannak görbülve, tompák vagy a hegyük meg van sérülve.	• Tegyen be új tűket.
	• A tűk nincsenek megfelelően behelyezve.	• Helyezze be a tűket megfelelően a tartókba.
	• A cérna nincsen jól befűzve.	• Ellenőrizze az egyes szálak menetét.
Az öltések nem rendszeresek.	• A szálfeszesség nem jó.	• Javítsa ki a szálfeszességet.
	• A szál be van szorulva.	• Ellenőrizze az egyes szálak menetét.
A varrás ráncolódik.	• A szálfeszesség túl nagy.	• Állítsa be a szálfeszességet.
	• A cérna nincsen jól befűzve.	• Fűzze be helyesen a cérnát.
	• Be van szorulva a cérna.	• Ellenőrizze az egyes szálak menetét.
	• Nincsen beállítva a differenciál anyagtovábbítás.	• Állítsa be helyesen a differenciál anyageltolást.
Az anyagot nem vágja le tisztán.	• A kés életlen vagy rosszul van behelyezve.	• Cserélje ki a kést vagy helyezze be megfelelően.
Az anyag szélei fodrozódnak	• Túl sok anyag van egy öltésre.	• Változtassa meg az öltésszélességet.

KAZALO VSEBINE**STRAN**

Predvidena uporaba	111
Varnostni napotki	111
Vsebina kompleta	112
Tehnični podatki	112
Opis naprave	113
Zgornje rezilo v položaju mirovanja	113
Informacije o šivankah	113
Vstavek za zgornje držalo	113
Odpiranje čelnega pokrova	114
Priprave	114
Priključitev pedala	114
Prilagajanje hitrosti šivanja	114
Varnostno stikalo	114
Namestitev posode za odpadke	114
Odstranjevanje šivank	115
Vstavljanje šivank	115
Uporaba kolesca	115
Nastavitev vodilnega nastavka za niti	115
Vdevanje niti	116
Splošni napotki za vdevanje niti	116
Vdevanje zgornje niti v držalo (rdeča)	116
Vdevanje spodnje niti v držalo (rumena)	118
Vdevanje niti v desno šivanko (zelena)	119
Vdevanje niti v levo šivanko (modra)	121
Poskusno delovanje	122
Menjava niti (z vozli)	123
Nastavljanje dolžine vboda	123
Nastavljanje širine šivov	123
... z uporabo desne ali leve šivanke	123
... z obračanjem gumba za nastavljanje širine šivov	124
Nastavljanje z gumbom za nastavljanje širine šivov	124
Nastavljanje pritiska tačke	124
Diferencialni pomik	125
Način delovanja	125
Nabran opletilni šiv – nastavljanje	125
Raztegnjen opletilni šiv – nastavljanje	125
Prostoročno šivanje	126

Pred prvo uporabo ta navodila pozorno preberite in jih shranite za poznejšo uporabo. Ob predaji naprave tretji osebi zraven priložite tudi navodila za uporabo.

Opletilni šivi	127
Zviti okrasni robovi	127
Obšivanje in poskusno šivanje	128
Priporočene nastavitve napetosti	128
2-nitni verižni ometični vbod (overlock)	129
2-nitni ometični vbod	130
3-nitni verižni vbod (overlock)	131
3-nitni ploski vbod	132
3-nitni verižni ometični vbod (overlock)	133
3-nitni varnostni vbod, močno raztegljiv, imitiran	134
4-nitni varnostni vbod, močno raztegljiv, imitiran	135
Zviti okrasni robovi	136
3-nitni zviti okrasni rob	136
3-nitni ometični zviti okrasni rob z zgornjim držalom	136
2-nitni zviti okrasni rob	137
2-nitni ometični zviti okrasni rob s spodnjim držalom	137
Ploski okrasni šivi	138
Ploski šiv kot montažni šiv	138
Ploski šiv kot okrasni šiv	139
Opletilni slepi robovi	139
Všiti robovi	139
Šivanje vogalov	140
Zunanji vogali	140
Notranji vogali	140
Nasveti in prijemi	141
Vdevanje bucik	141
Zavarovanje slepega verižnega šiva	141
Ojačitev šivov	141
Okrasni trakovi	141
Vzdrževanje in čiščenje	142
Čiščenje in mazanje	142
Menjava spodnjega rezila	142
Shranjevanje	143
Odstranitev	143
Garancijski list	143
Proizvajalec	143
Odpravljanje napak	144

OPLETILNI (OVERLOCK) ŠIVALNI STROJ

Predvidena uporaba

Opletilni šivalni stroj je predviden ...

- za uporabo kot prenosna naprava,
- za robljenje blaga (verižno robljenje) pri običajnih vrstah tekstila v domačem gospodinjstvu in ...
- samo za uporabo v privatnem gospodinjstvu.

Šivalni stroj ni predviden ...

- za trajno postavitvev na enem mestu,
- za obdelavo drugih materialov (npr. usnja, šotorovine, jadrovine in podobnih težkih materialov),
- za uporabo v obrtnih ali industrijskih področjih.

Varnostni napotki ⚠

Pri šivalnem stroju obstaja, kakor pri vsakem drugem električnem aparatu, nevarnost poškodbe ter smrtna nevarnost. Za preprečevanje teh in za varno delo s strojem velja:

- Kadar se oddaljite od stroja, zmeraj potegnite omrežni vtič iz vtičnice. S tem preprečite nevarnost nezgode zaradi nehotenega vklopa.
- Preden začnete izvajati vzdrževalna dela na stroju, najprej omrežni vtič potegnite iz vtičnice. Tako preprečite življenjsko nevaren električni udar. LED-lučke se ne da zamenjati.
- Omrežnega vtiča ne vlecite za kabel iz vtičnice. Pri vlečenju primite za vtič in ne za kabel.
- Šivalni stroj zmeraj uporabljajte samo v suhih prostorih.
- Poškodovane omrežne vtiče ali omrežne kable naj vam takoj zamenja pooblaščen strokovno osebje ali servisna služba, da se izognete nevarnosti.
- Ta izdelek ni namenjen temu, da bi ga uporabljale osebe (tudi otroci ne) z omejenimi fizičnimi, zaznavnimi ali duševnimi sposobnostmi ali s pomanjkljivimi izkušnjami in/ali znanjem, razen pod nadzorom osebe, ki je zanje odgovorna ali jim je dala navodila v zvezi z uporabo izdelka.
- Otroke je treba nadzorovati, da se s strojem ne bi igrali.
- Stroja nikoli ne uporabljajte z blokiranimi prezračevalnimi odprtini. Zmeraj poskrbite za to, da na prezračevalnih odprtinah stroja ter na pedalu ni vlaken, prahu ter odpadkov blaga.
- Če je priključna napeljava, ki je povezana s pedalom, poškodovana, jo mora proizvajalec, njegova servisna služba ali ustrezno kvalificirana oseba zamenjati, da ne pride do nevarnosti.

⚠ **Opozorilo pred poškodbami in materialno škodo:**

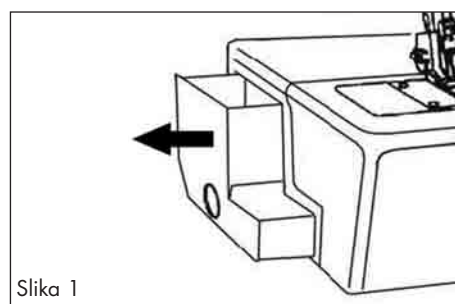
- Vaše delovno področje naj bo urejeno. Nered na delovnem področju lahko povzroči nezgode.
- Poskrbite za dobro razsvetljavo pri delu!
- Ne nosite ohlapnih oblačil ali nakita, ker se ti lahko ujamejo za premične dele. Iz tega razloga pri dolgih lasih nosite mrežico za lase.
- Izogibajte se neobičajni drži telesa. Poskrbite za svoj varen položaj in nenehno ravnotežje.
- Če pride do nezgod zaradi neskrbnega ravnanja s šivalnim strojem ali neupoštevanja varnostnih napotkov v navodilih za uporabo, proizvajalec za škodo ni odgovoren.
- Nikoli ne prekrivajte odprtín za prezračevanje! Nevarnost pregretja!
- Olje za šivalni stroj hranite izven dosega otrok.
- V primeru zaužitja ali stika oči z oljem za šivalni stroj takoj poiščite zdravniško pomoč.

Vsebina kompleta

Opletilni šivalni stroj
Olje
Posoda za odpadke
Škatla s priborom
Navodila za uporabo


Nadomestno rezilo (spodaj)	
2 šivanke št. 11 4 šivanke št. 14 (2 nameščeni v stroju)	
4 pokrovi navitkov	
Vstavek za zgornje držalo	
Majhen izvijač	
Velik izvijač	
Zaščitno prekrivalo	
Pinceta	
Čopič s pripomočkom za paranje šivov	

Pribor najdete v škatli s priborom na stroju (slika 1).



Slika 1

Tehnični podatki

Število niti	2, 3 ali 4
Število šivank	2 ali 1
Hitrost šivanja	okrog 1200 obr./min
Širina vboda	
desno:	3,0–4,5 mm
levo:	5,2–6,7 mm
Dolžina vboda	1–4 mm
Šivanke	HA x 1 št. 11–14 ali 130/705 št. 75–90
Moč:	90 W
Nazivna napetost:	220–240 V ~, 50Hz
Razred zaščite:	II 

Zvočni tlak pod normalnimi pogoji delovanja znaša 78dB(A).

Pedal

Pri tem šivalnem stroju uporabljajte le priloženi pedal:
- ELECTRONIC FDM Speed Controller
- tip KD - 2902

Opis naprave

Na sprednji razklopni strani:

- 1 Vodilni nastavek za niti
- 2 Nastavek za navitek
- 3 Nastavek za centriranje sukanca
- 4 Ročica za tačko
- 5 Nastavitveno kolesce za dolžino vboda
- 6 Kolesce
- 7 Priključitev pedala/omrežni priključek
- 8 Omrežno stikalo (stikalo za vklop/izklop)
- 9 Ročica za diferencialni pomik
- 10 Čelni pokrov
- 11 Oporna plošča nastavka za širino šivov
- 12 Prosta roka
- 13 Vbodna plošča
- 14 Kolesce za izbiro napetosti niti (leva šivanka)
- 15 Kolesce za izbiro napetosti niti (desna šivanka)
- 16 Kolesce za izbiro napetosti niti (zgornje držalo)
- 17 Kolesce za izbiro napetosti niti (spodnje držalo)

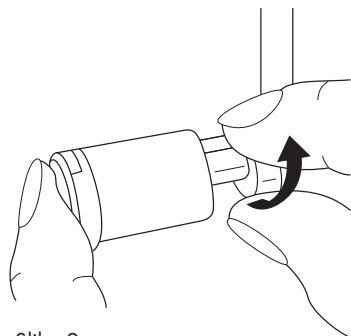
Na zadnji razklopni strani:

- 18 Pomično rezilo zgoraj (zgornje rezilo)
- 19 Zgornje držalo
- 20 Spodnje držalo
- 21 Tačka
- 22 Fiksno rezilo spodaj
- 23 Stikalo za širino šivov
- 24 Gumb za nastavljanje širine šivov

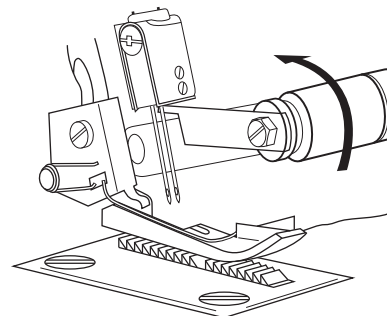
Zgornje rezilo v položaju mirovanja

Za določene vrste šivov ali za lažjo uporabo gumba za nastavljanje širine šivov 24 morate zgornje rezilo 18 premakniti v položaj za mirovanje.

V ta namen zgornje rezilo 18 potisnite na desno in ga rahlo zasukajte, tako da je trdno pritrjeno (slika 2 in 3).



Slika 2



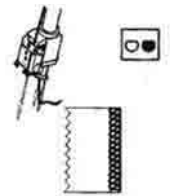
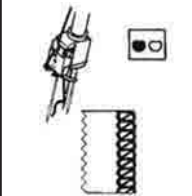
Slika 3

Informacije o šivankah

Za ta stroj se uporabljajo trgovsko običajne šivanke s ploskim stebлом, namenjene za šivalni stroj. Pri teh šivankah napačno vstavljanje ni mogoče. Kupite jih lahko v specializiranih trgovinah.

V stroj lahko vstavite šivanke velikosti 11 in 14.

V spodnji tabeli najdete kratek pregled razlik pri uporabi šivank (izčrpne informacije o tem poiščite v poglavju „Nastavljanje širine šivov“).

Širina šiva	3,5 mm	5,7 mm
Uporabljena šivanka	desna šivanka	leva šivanka
Kolesce za izbiro napetosti niti	zelena	modra
		

Vstavek za zgornje držalo

Pri nekaterih vrstah vbodov potrebujete vstavek za zgornje držalo.

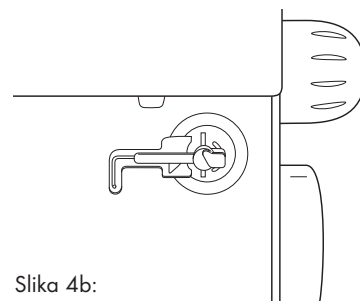
Kdaj ga morate vstaviti, je opisano pri posameznih vrstah vbodov.

Vtaknite košček žice od zadaj skozi uho zgornjega držala 19, plastični zatič na drugem koncu pa od spredaj skozi luknjo v zgornjem držalu 19 (slika 4a).

Vstavek za zgornje držalo lahko shranite na mestu za shranjevanje zadaj za čelnim pokrovom 10 (slika 4b).



Slika 4a:



Slika 4b:

Odpiranje čelnega pokrova

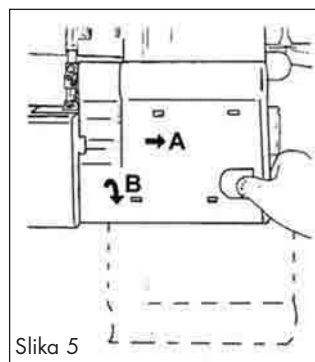
⚠ Pozor!

Stroj zmeraj izklopite z omrežnim stikalom **8**, preden odprete čelni pokrov **10**. Nevarnost poškodbe!

- Potisnite čelni pokrov **10** na desno (A) in ga potem potegnite k sebi (B) (slika 5). Zadaž za čelnim pokrovom **10** boste zagledali območje držal.

i Napotek:

Med šivanjem mora biti čelni pokrov **10** zaprt!



Slika 5

Priprave

Opletilni šivalni stroj postavite na stabilno, ravno podlago. Poskrbite za zadostno osvetljavo svojega delovnega mesta.

Priključitev pedala

- Vtaknite vtič pedala v priključek za pedal **7**.
- Omrežni vtič vtaknite v omrežno vtičnico.

Za vklop stroja pritisnite omrežno stikalo **8**.

⚠ Pozor!

Kadar stroj zapustite ali preden začnete z vzdrževalnimi deli na njem, zmeraj potegnite omrežni vtič iz vtičnice. Nevarnost poškodbe!

Prilagajanje hitrosti šivanja

Hitrost šivanja prilagajate s pomočjo pedala. Hitrost šivanja lahko spreminjate tako, da na pedal pritiskate močneje ali šibkeje.

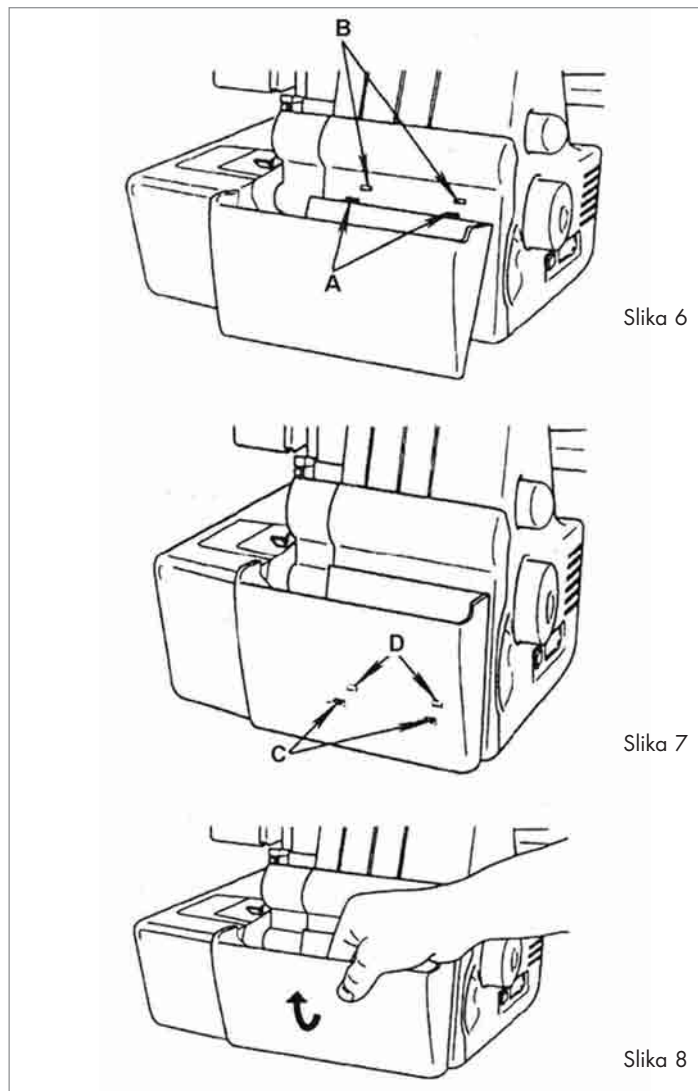
Varnostno stikalo

Ta stroj je opremljen z mikro varnostnim stikalom. Stroja ne morate zagnati, kadar je čelni pokrov **10** odprt. Čelni pokrov **10** zaprite, preden začnete šivati.

Namestitev posode za odpadke

Posoda za odpadke prestreza odrezane ostanke od šivanja, tako da vaše delovno mesto ostane čisto.

- Najprej potisnite oba zaskočna nastavka (A) v sprejemni luknji (B) (slika 6).
- Potem vstavite oba zaskočna nastavka (C) v sprejemni luknji (D) (slika 7).



Slika 6

Slika 7

Slika 8

- Za odstranitev posode za odpadke to potegnite naprej in jo pri tem malce nagnite (slika 8).

Odstranjevanje šivank

⚠ Pozor!

Pred menjavanjem šivank omrežni vtič potegnite iz vtičnice. Tako stroja ne bo mogoče nenamerno vklopiti. Drugače obstaja nevarnost poškodb!

Nasvet

Šivanke boste lažje zamenjali, če prej odstranite pokrov proste roke (slika 9a)!

1. Zavrtite kolesce **6** k sebi, tako da se šivanke nahajajo v najvišjem položaju (slika 9b).
2. Odvijte vijake šivank z majhnim izvijačem tako daleč, da se šivanke da odstraniti (slika 10).
3. Šivanke odstranite.

Vstavljanje šivank

⚠ Pozor!

Pred menjavanjem šivank omrežni vtič potegnite iz vtičnice. Tako stroja ne bo mogoče nenamerno vklopiti. Drugače obstaja nevarnost poškodb!

1. Držite šivanko s plosko stranjo nazaj.
2. Šivanko do konca potisnite v držalo.
3. Vijake šivanke zategnite z majhnim izvijačem (slika 10).

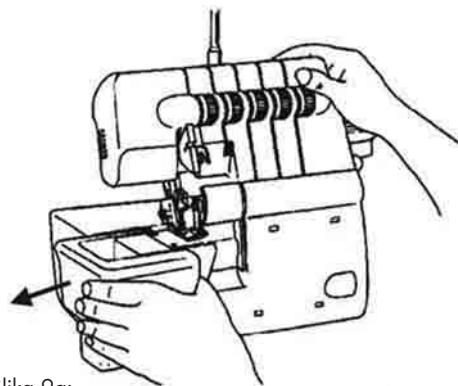
Uporaba kolesca

i Napotek:

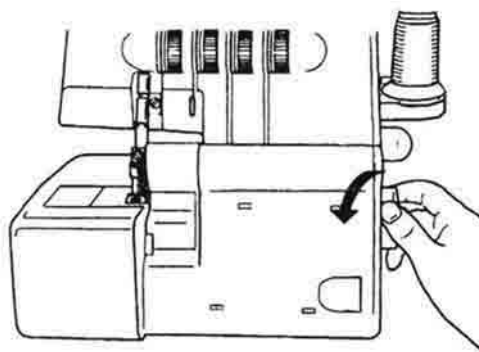
Kolesce **6** zmeraj obračajte le k sebi (slika 9b).

Nastavitev vodilnega nastavka za niti

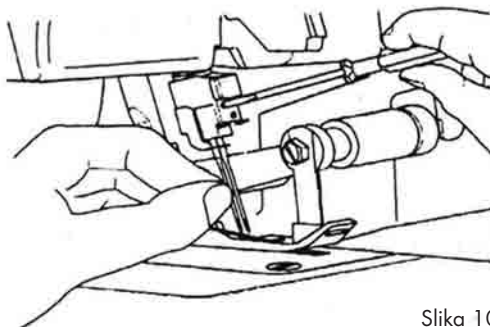
- Pred vdevanjem sukanca vodilni nastavek za niti **1** potegnite čisto ven (slika 11).
- Vodilni nastavek za niti **1** obrnite tako, da se vodila niti nahajajo neposredno nad nastavki za navitke **2**.
- V pravilnem položaju se oba sestavna dela vodilnega nastavka za niti **1** slišno zaskočita.
- Sukanec namestite na nastavke za centriranje sukanca. Če ne uporabljate industrijskih navitkov sukanca, nastavke za centriranje sukanca odstranite. Po en pokrov navitka potisnite na sukanec (slika 12). Ta bo navitke sukanca držal na mestu.



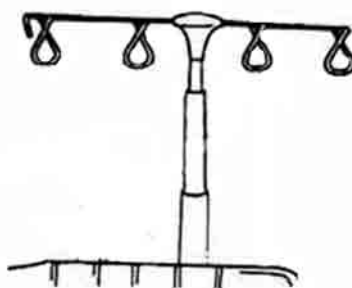
Slika 9a:



Slika 9b:



Slika 10



Slika 11



Slika 12

Vdevanje niti

❗ **Napotek:**

Pri dobavi so vdele vse 4 niti. S šivanjem lahko začnete takoj. Če sukance želite zamenjati, pa so vse 4 niti še vdele, postopajte, kot je opisano v poglavju „Menjava niti (z vozli)“.

Če morate niti vdeti popolnoma na novo, postopajte, kot je opisano v tem poglavju, „Vdevanje niti“.

Splošni napotki za vdevanje niti

⚠ **Pozor!**

Pred vdevanjem niti omrežno stikalo ❸ zmeraj prestavite na „O“ (izklop) in omrežni vtič potegnite iz vtičnice. Tako stroja ne bo mogoče nenamerno vklopiti. Drugače obstaja nevarnost poškodb!

Pravilno vdevanje niti je pomembno, da vbodi ne bodo neenakomerni in se niti ne trgajo.

Zadaj za čelnim pokrovom ❶ se nahaja diagram z navodili za vdevanje niti. Vodila niti pa so še dodatno označena z različnimi barvami.

V škatli s priborom najdete pinceto, ki vam bo vdevanje niti olajšala.

Vdevanje niti poteka v tem zaporedju (slika 13/14):

1. Prvi korak: nit za zgornje držalo (rdeča)
2. Drugi korak: nit za spodnje držalo (rumena)
3. Tretji korak: nit za desno šivanko (zelena)
4. Četrty korak: nit za levo šivanko (modra)

❗ **Napotek:**

Ko so vse niti vdele in se nit spodnjega držala sprostí, postopajte, kot sledi:

- Odstranite obe niti iz šivank.
- Potem vdenite nit v spodnje držalo.
- Šele potem ponovno vdenite niti v obe šivanki.

V šivanke se niti vstavljajo zmeraj na koncu!

Za lažjo predstavo so posamezni koraki na slikah oštevilčeni.

Vdevanje zgornje niti v držalo (rdeča)

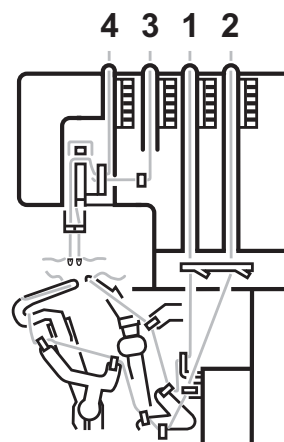
⚠ **Pozor!**

Pred vdevanjem niti omrežno stikalo ❸ zmeraj prestavite na „O“ (izklop) in omrežni vtič potegnite iz vtičnice. Tako stroja ne bo mogoče nenamerno vklopiti. Drugače obstaja nevarnost poškodb!

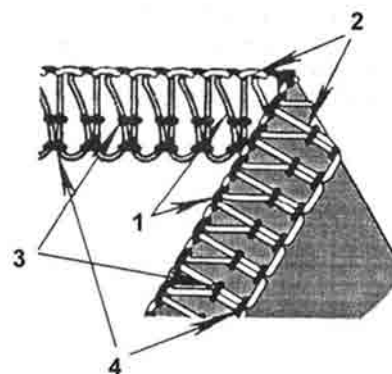
Zmeraj si pomagajte s slikami ob strani.

Slika 15 prikazuje potek zgornje niti skozi držalo. Posamezna mesta vdevanja so oštevilčena in v nadaljevanju opisana natančneje.

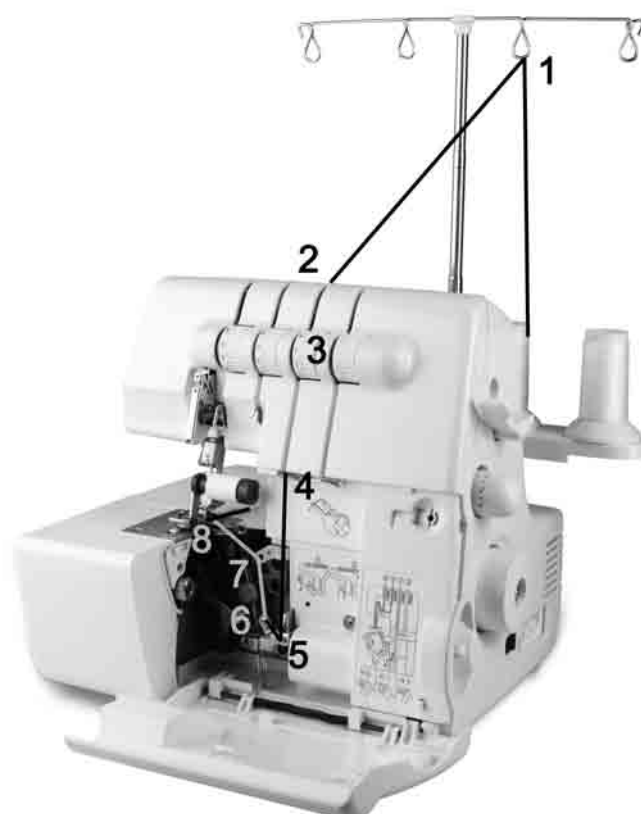
1. Odprite čelni pokrov ❶.
2. Speljite nit od zadaj naprej skozi vodilni nastavek za niti ❶ (1).



Slika 13

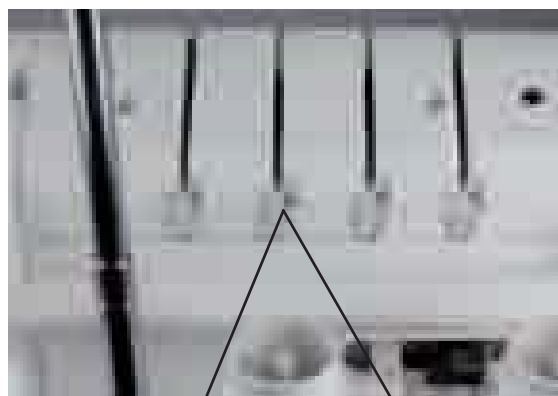


Slika 14

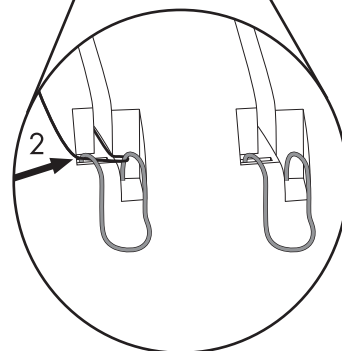


Slika 15

3. Vdenite nit v vodilo niti, tako da nit potegnete navzdol, dokler ne zdrsne pod vodilo niti (2) (slika 16).



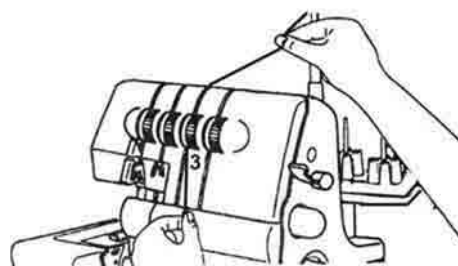
Slika 16



4. Nit trdno držite s prsti, speljite jo med ploščici kolesca za izbiro napetosti niti 16 in jo potem potegnite navzdol (3) (slika 17).

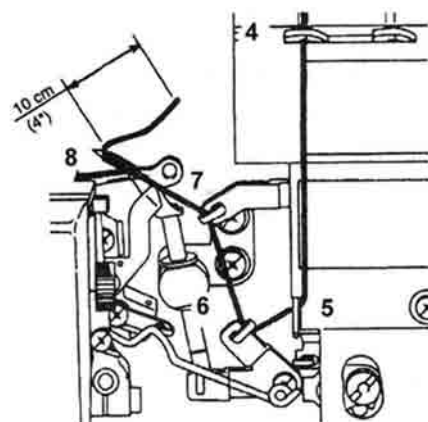
i Napotek:

Nit mora biti pravilno vstavljena med obe ploščici kolesca za izbiro napetosti niti 16.



Slika 17

5. Na območju držal nit vdenite s pomočjo rdečih oznak (slika 18).
6. Potegnite nit od spredaj nazaj skozi zgornje držalo 19.
7. Potegnite okrog 10 cm niti skozi držalo in jo položite za vbodno ploščo 13.



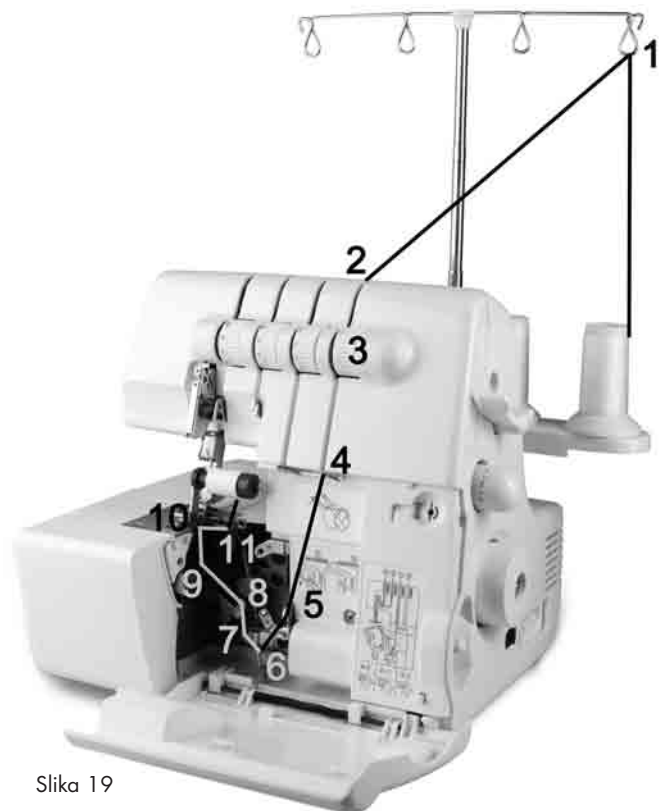
Slika 18

Vdevanje spodnje niti v držalo (rumena)

⚠ Pozor!

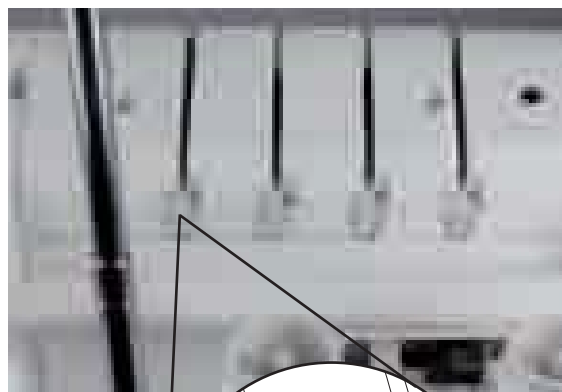
Pred vdevanjem niti omrežno stikalo **Ⓢ** zmeraj prestavite na „O“ (izklop) in omrežni vtič potegnite iz vtičnice. Tako stroja ne bo mogoče nenamerno vklopiti. Drugače obstaja nevarnost poškodb!

Slika 19 prikazuje potek spodnje niti skozi držalo. Posamezna mesta vdevanja so oštevilčena in v nadaljevanju opisana natančneje.

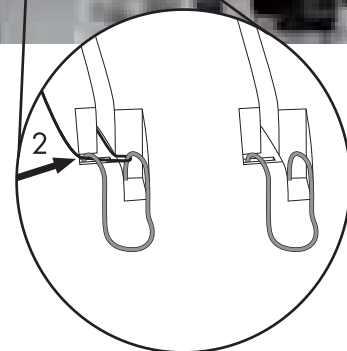


Slika 19

1. Speljite nit od zadaj naprej skozi vodilni nastavek za niti **①** (1).
2. Vdenite nit v vodilo niti, tako da nit potegnete navzdol, dokler ne zdrsne pod vodilo niti (2) (slika 20).



Slika 20

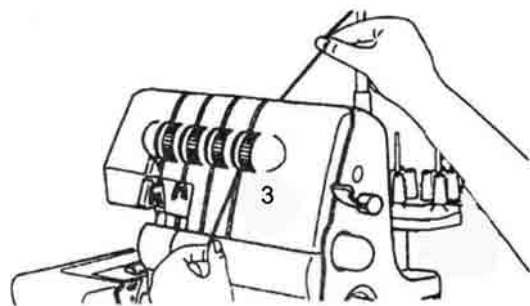


3. Nit trdno držite s prsti, speljite jo med ploščici kolesca za izbiro napetosti niti **⑰** in jo potem potegnite navzdol (3) (slika 21).

ⓘ Napotek:

Nit mora biti pravilno vstavljena med obe ploščici kolesca za izbiro napetosti niti **⑰**.

4. Obrnite kolesce **⑥** k sebi, dokler spodnje držalo **⑳** ni pomaknjeno čisto na desno.



Slika 21

5. Na območju držal nit vdenite s pomočjo rumenih oznak (4-8) (slika 22).

6. Nit v razdalji okrog 4 cm od vodila niti držite s pinceto (slika 23).

7. Potem jo s pinceto z leve speljite malce pod vodilo niti.

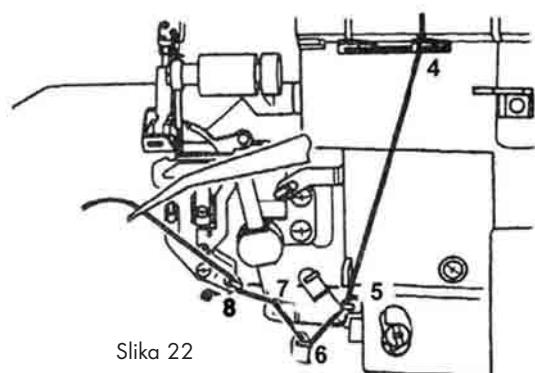
8. Nit nato potegnite navzgor v vodilo niti (9).

9. Nit speljite nazaj in preko zgornjega konca spodnjega držala 20 (10A) (slika 23).

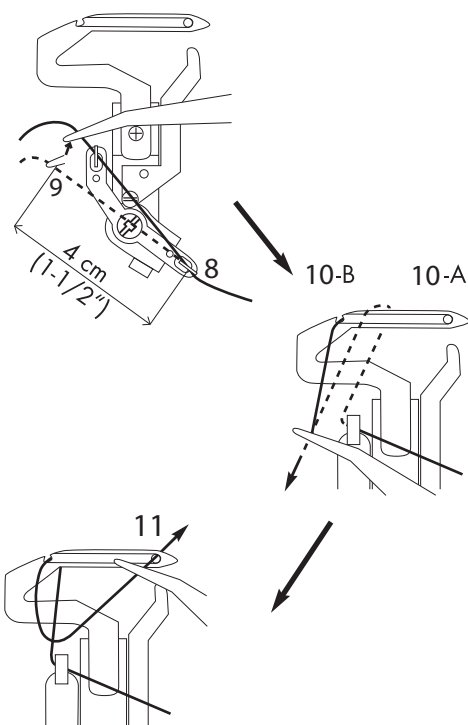
10. Potem nit previdno potegnite navzdol, tako da zdrsne v odprtino v držalu (10B) (slika 23). Pri tem koraku uporabljajte tudi risbo, ki je nameščena na stroju!

11. Speljite nit skozi uho v držalu (11). Nit mora potekati po zarezi v spodnjem držalu 20 (slika 23).

12. Potegnite okrog 10 cm niti skozi držalo in jo položite nad zgornje držalo 19 ter vbodno ploščo 18 in zadaj za njima.



Slika 22



Slika 23

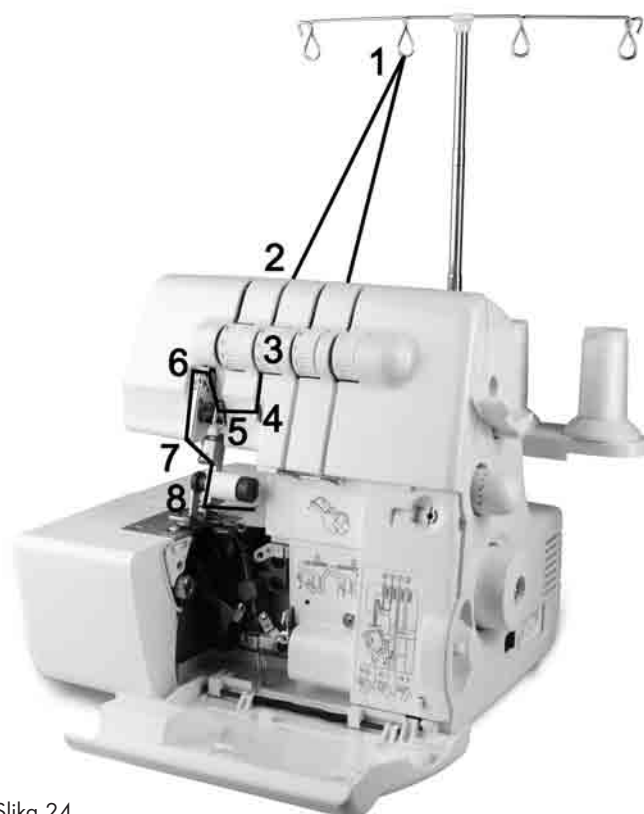
Vdevanje niti v desno šivanko (zelena)

⚠ **Pozor!**

Pred vdevanjem niti omrežno stikalo 8 zmeraj prestavite na „O“ (izklop) in omrežni vtič potegnite iz vtičnice. Tako stroja ne bo mogoče nenamerno vklopiti. Drugače obstaja nevarnost poškodb!

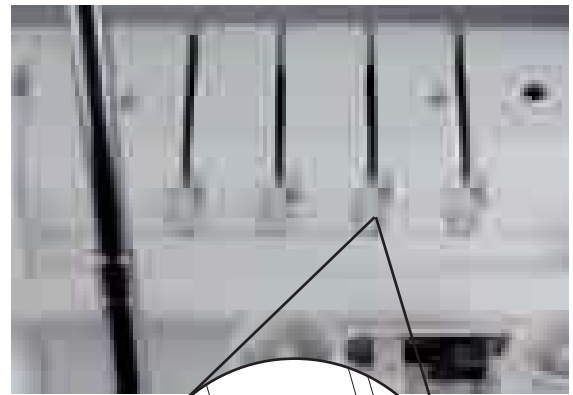
Slika 24 prikazuje potek niti skozi desno šivanko. Posamezna mesta vdevanja so oštevilčena in v nadaljevanju opisana natančneje.

1. Speljite nit od zadaj naprej skozi vodilni nastavek za niti 1 (1).

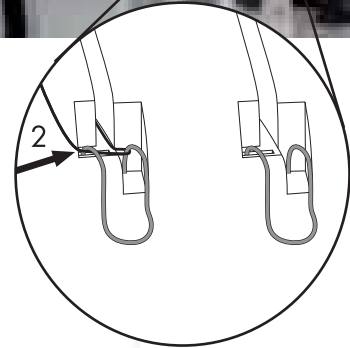


Slika 24

2. Vdenite nit v vodilo niti, tako da nit potegnete navzdol, dokler ne zdrsne pod vodilo niti (2) (slika 25).



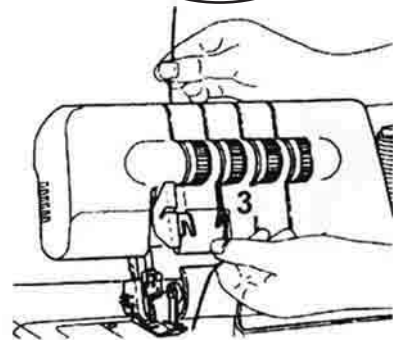
Slika 25



3. Nit trdno držite s prsti, speljite jo med ploščici kolesca za izbiro napetosti niti 15 in jo potem potegnite navzdol (3) (slika 26).

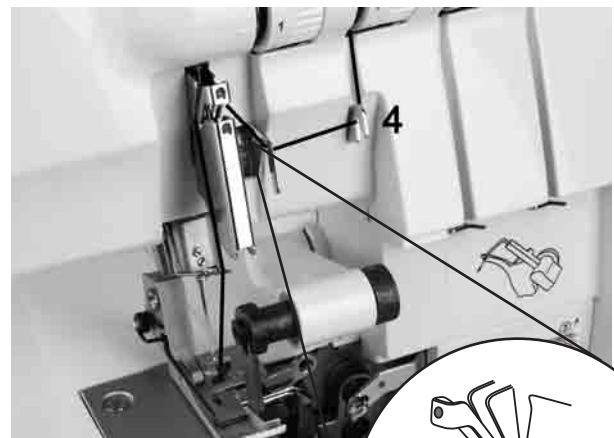
ⓘ Napotek:

Nit mora biti pravilno vstavljena med obe ploščici kolesca za izbiro napetosti niti 15.

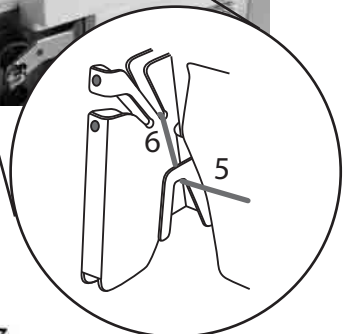


Slika 26

4. Nit vdenite s pomočjo zelenih oznak (4-7) (slika 27/28).

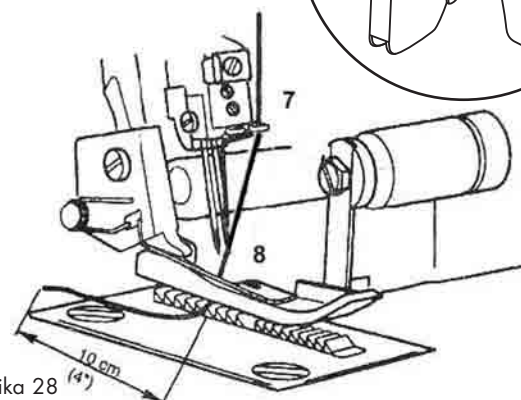


Slika 27



5. Nit speljite skozi desno šivanko (8) (slika 28).

6. Nit speljite nazaj, pod tačko 21.



Slika 28

Vdevanje niti v levo šivanko (modra)

⚠ Pozor!

Pred vdevanjem niti omrežno stikalo **8** zmeraj prestavite na „O“ (izklop) in omrežni vtič potegnite iz vtičnice. Tako stroja ne bo mogoče nenamerno vklopiti. Drugače obstaja nevarnost poškodb!

Slika 29 prikazuje potek niti skozi levo šivanko. Posamezna mesta vdevanja so oštevilčena in v nadaljevanju opisana natančneje.

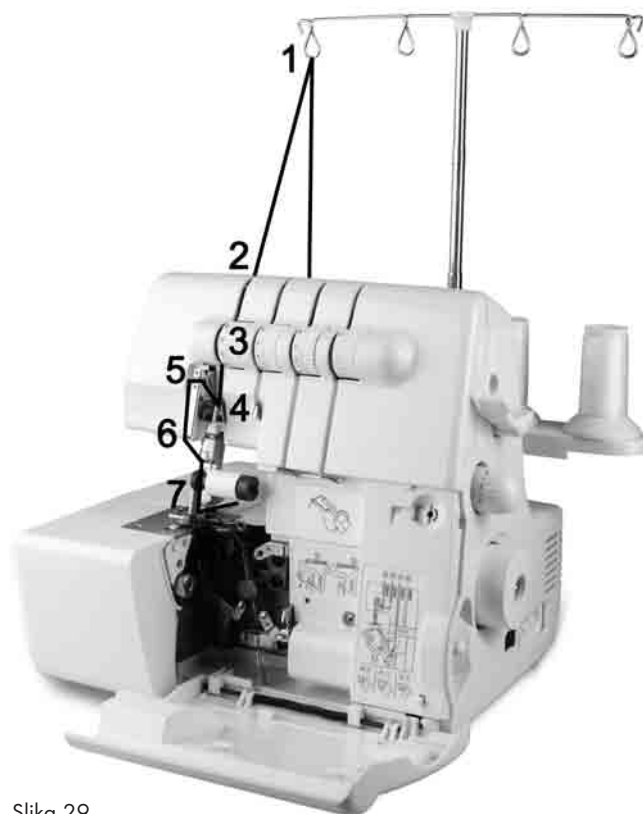
1. Speljite nit od zadaj naprej skozi vodilni nastavek za niti **1** (1).

2. Vdenite nit v vodilo niti, tako da nit potegnete navzdol, dokler ne zdrsne pod vodilo niti (2) (slika 30).

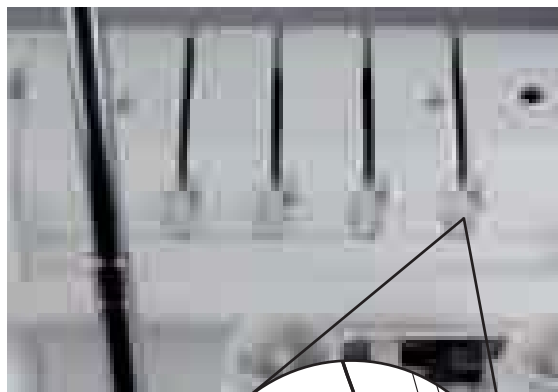
3. Nit trdno držite s prsti, speljite jo med ploščici kolesca za izbiro napetosti niti **14** in jo potem potegnite navzdol (3) (slika 31).

i Napotek:

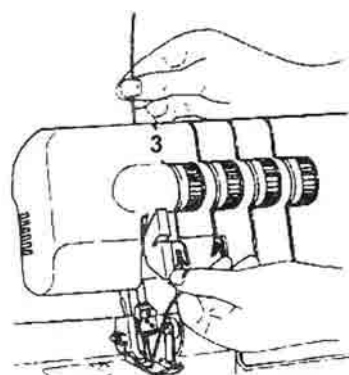
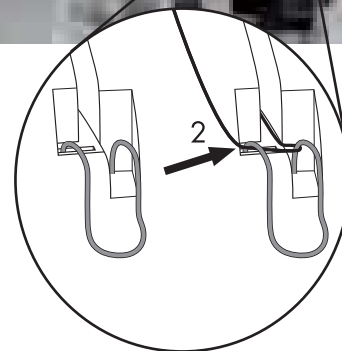
Nit mora biti pravilno vstavljena med obe ploščici kolesca za izbiro napetosti niti **14**.



Slika 29

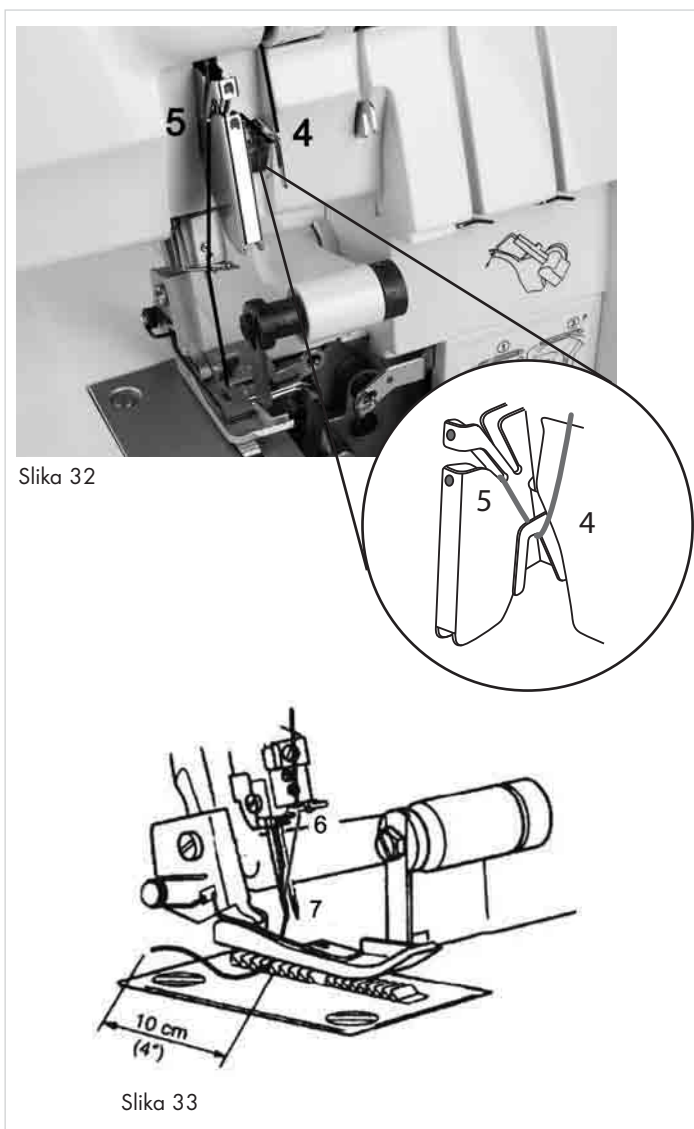


Slika 30



Slika 31

4. Nit vdenite s pomočjo modrih oznak (4-6) (slika 32/33).



5. Nit speljite skozi levo šivanko (7) (slika 33).

6. Nit speljite nazaj, pod tačko ②.

Poskusno delovanje

Kadar prvič vdevate sukanec ali če se vam je pretrgal in ga morate ponovno vdeti, postopajte, kot sledi:

Dvignite tačko ②.

Konca niti držite s konicami prstov leve roke, zasukajte kolesce ⑥ počasi dva- do trikrat k sebi in nit ponovno preverite.

Blago za poskusno šivanje položite pod tačko ② in počasi začnite šivati. Blago se pomika samodejno.

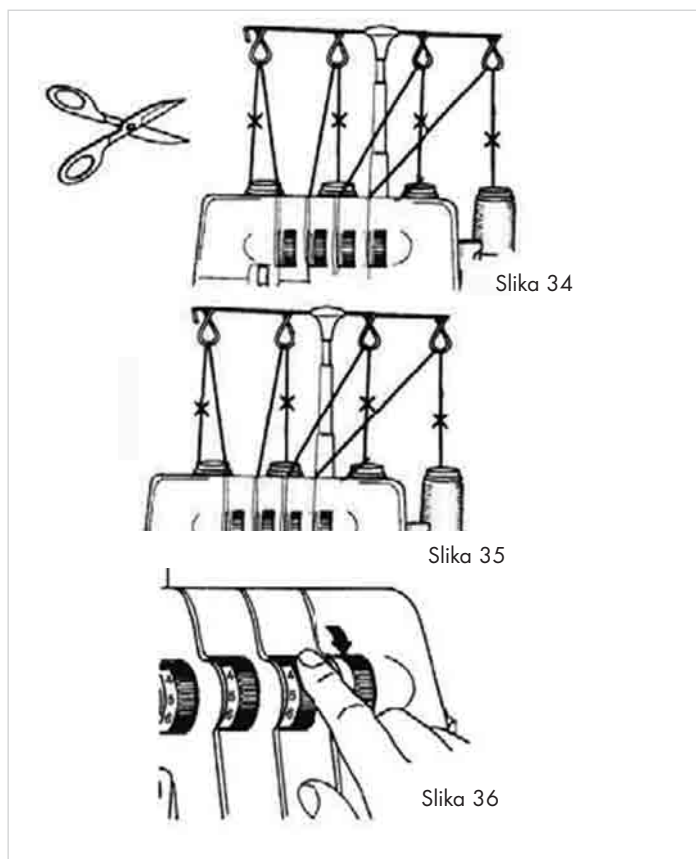
Po končanem delu šivajte naprej, dokler na koncu blaga ne nastane 5 cm (2") dolga veriga iz sukanca.

Odrežite nit s škarpami.

Menjava niti (z vozli)

Menjava niti po naslednjem postopku je zelo preprosta:

1. Odrežite sukanec nad nastavkom za navitek ② (slika 34) in namestite nove sukance na nastavke za navitke ②.



2. Zavozlajte konce stare in nove niti (slika 35).

3. Nastavite kolesca za izbiro napetosti niti ⑭/⑮/⑯/⑰ na „0“ (slika 36) in dvignite tačko ⑳.

4. Potegnite za drugi konec sukanca, dokler vozli ne pridejo skozi pod tačko ㉑.

5. Pri vdevanju niti v igle povlecite za druge konce, dokler se vozli ne nahajajo v šivankinih ušesih, nato pa sukanec odrežite levo in desno od vozlov. Potem nit ponovno vdenite.

Nastavljanje dolžine vboda

Dolžino vboda lahko nastavite v korakih od 1,0 do 4,0 mm. Skoraj vse vrste opletilnega šivanja se izvajajo z dolžino vboda 2,5–3,5 mm. Obračajte nastavitveno kolesce za dolžino vboda ⑤ (slika 37), da nastavite dolžino vboda:

- Za večino vrst šivanja je priporočljiva dolžina vboda 3 mm.
- Za šivanje debelejših materialov je priporočljiva dolžina vboda 4 mm.
- Za šivanje lažjih materialov je priporočljiva dolžina vboda 2 mm.

S pomočjo teh nastavitvev bodo vaši šivi pravilni, blago pa se ne bo nabiralo.



Nastavljanje širine šivov

Širino šivov lahko določite s spreminjanjem položaja igle in s pomočjo gumba za nastavljanje širine šivov ㉒.

... z uporabo desne ali leve šivanke

Širino šiva lahko določite z uporabo leve ali desne šivanke.

- Uporablja se samo leva šivanka: 5,7 mm
- Uporablja se samo desna šivanka: 3,5 mm

... z obračanjem gumba za nastavljanje širine šivov

S pomočjo gumba za nastavljanje širine šivov 24 lahko nastavite širino šivov znotraj spodaj navedenih območij.

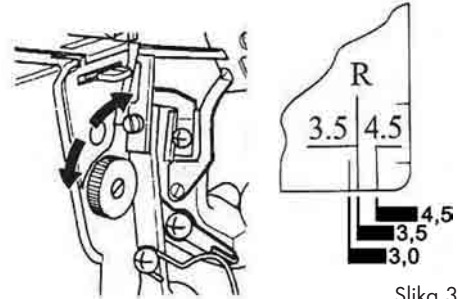
- Uporablja se samo leva šivanka: 5,2–6,7 mm
- Uporablja se samo desna šivanka: 3,0–4,5 mm

Nastavljanje z gumbom za nastavljanje širine šivov

⚠ **Pozor!**

Pred začetkom uporabe gumba za nastavljanje širine šivov 24 omrežno stikalo 8 zmeraj preklopite na „O“ (izklop). Tako preprečite nehoteni zagon stroja in s tem tudi nevarnost poškodb!

- Odprite čelni pokrov 10, tako bo izvajanje nastavitvev potekalo lažje.
- Zasukajte gumb za nastavljanje širine šivov 24 na zeleno širino šivov (slika 38). Pri tem se orientirajte po skali na vbojni plošči 13 (slika 39).



Slika 38

Slika 39

Nastavljanje pritiska tačke

Pri dobavi je pritisk tačke nastavljen za srednje težke vrste blaga. Če uporabljate težje ali lažje materiale, pritisk tačke nastavite, kot sledi:

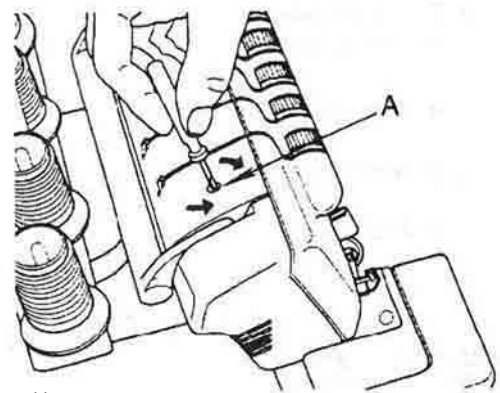
- Za lažje vrste blaga morate pritisk zmanjšati.
- Za težje vrste blaga morate pritisk povečati.

Vstavite manjši izvijač v luknjo na zgornji strani stroja (slika 40). Tukaj se nahaja vijak za nastavljanje pritiska (A). Preverite, ali izvijač sega v režo vijaka za nastavljanje pritiska (B) (slika 41).

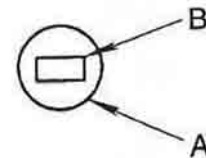
- Izvijač obrnite v smeri „+“, kadar želite pritisk povečati.
- Izvijač obrnite v smeri „-“, kadar želite pritisk zmanjšati.

i Napotek:

Za ponovno nastavljanje tovarniškega standardnega pritiska tačke, vijak za nastavljanje pritiska privijajte v nasprotni smeri urnega kazalca (-), kolikor je to mogoče. Potem vijak odvijte za 6 obratov v smeri urnega kazalca (+). Standarden pritisk tačke je tako ponovno nastavljen.



Slika 40



Slika 41

Diferencialni pomik

Način delovanja

Stroj ima dve zobati letvi, eno spredaj in eno zadaj. Ti dve letvi se pomikata neodvisno ena od druge. S pomočjo diferencialnega pomika se lahko letvi pomikata vsaka s svojo hitrostjo.

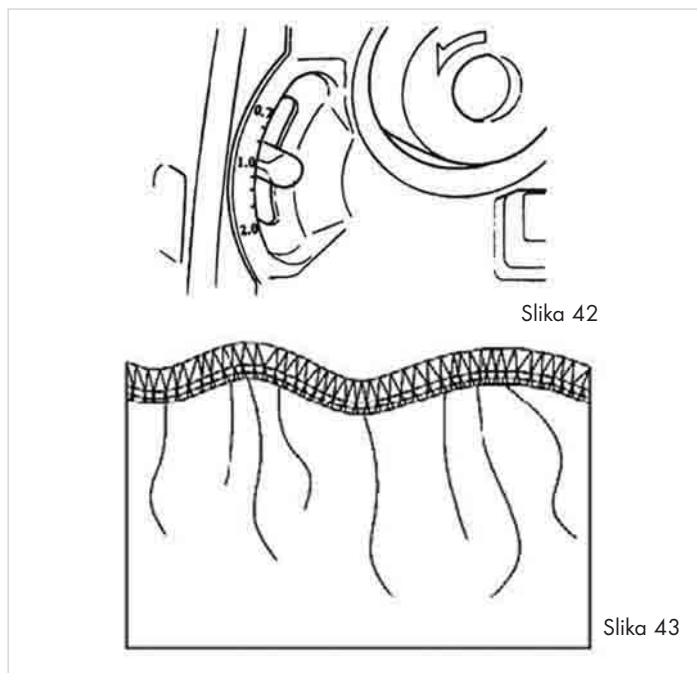
Tako se blago pri šivanju razteza ali nabira, odvisno od tega, kakšna je nastavljena razlika v hitrosti pomika med sprednjo in zadnjo zobato letvijo.

S pomočjo diferencialnega pomika lahko ustvarite zanimive učinke pri šivanju z opletljivimi šivi na raztegljivih materialih in na poševno odrezanih kosih blaga (slika 43).

i Napotek:

Ko se ročica za diferencialni pomik **9** nahaja na „1.0“, to pomeni razmerje diferencialnega pomika 1:1. Obe zobati letvi se pomikata enako hitro (slika 42).

Ročico za diferencialni pomik **9** lahko nastavljate v območju med 1:0,7 in 1:2,0.



Nabran opletilni šiv – nastavljanje

Nabran opletilni šiv je primeren za nabrane rokave, zgornje dele hrbta, robove kril ipd. iz elastičnih materialov kot npr. pletenine ali jersey. Šiv je treba uporabiti, preden posamezne dele oblačila sešijete.

- Nastavite ročico za diferencialni pomik **9** na vrednost, višjo od 1,0 (slika 44). Natančna nastavev je odvisna od materiala za obdelavo in od zelene nabračnosti blaga.

Za preverjanje nastavitve zmeraj najprej izvedite poskusno šivanje.

Raztegnjen opletilni šiv – nastavljanje

Raztegnjen opletilni šiv je primeren za okrasne valove na ovratnikih, rokavih in robovih kril itd. pri mehkih, raztegljivih tkaninah in pri pleteninah.

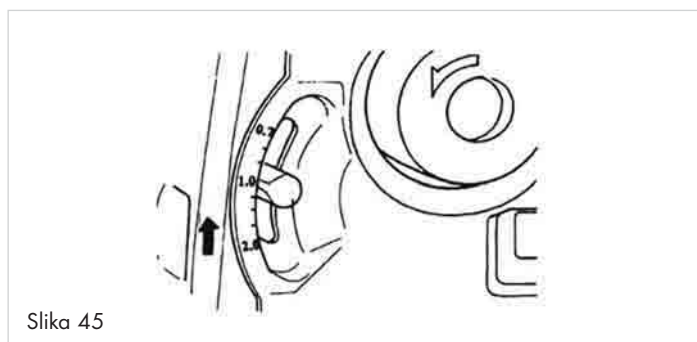
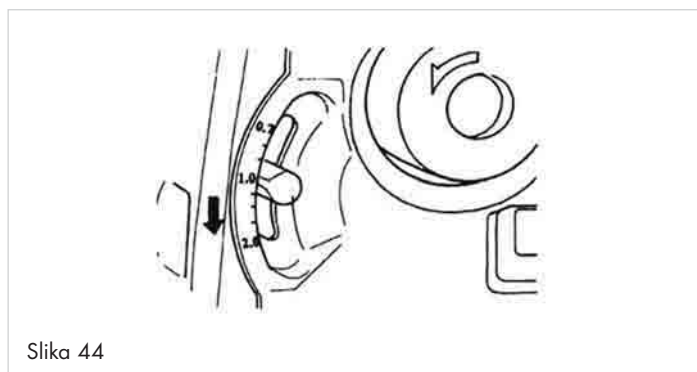
- Nastavite ročico za diferencialni pomik **9** na vrednost, nižjo od 1,0 (slika 45). Natančna nastavev je odvisna od materiala za obdelavo in od zelene stopnje „učinka valovitosti“.

Za preverjanje nastavitve zmeraj najprej izvedite poskusno šivanje.

- Šiv pred in za tačko **21** narahlo pridržite, da vzpostavite napetost blaga.

i Napotek:

Če ste z nastavitvenim kolescem za dolžino vboda **5** nastavili vrednost „3“ ali več, se ta vrednost samodejno prestavi nazaj na „3“, kadar ročico za diferencialni pomik **9** prestavite na 2.0.



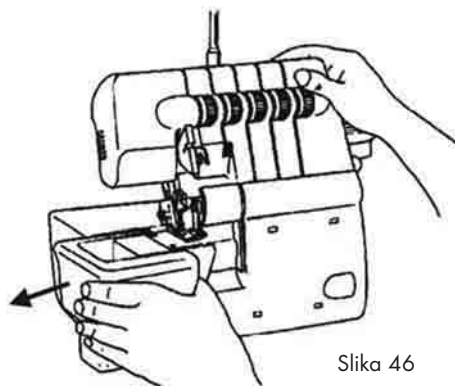
Prostoročno šivanje

Za šivanje cevastih delov, kot na primer rokavov ali hlačnic, lahko pokrov proste roke odstranite.

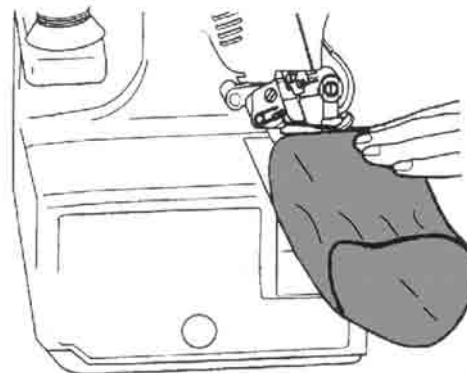
- Če je posoda za odpadke nameščena na stroju, jo odstranite.
- Potisnite pokrov proste roke na levo in ga potegnite dol ter odstranite (slika 46).

- Blago sedaj lahko potegnete čez prosto roko 12 in ga potem zašijete (slika 47).

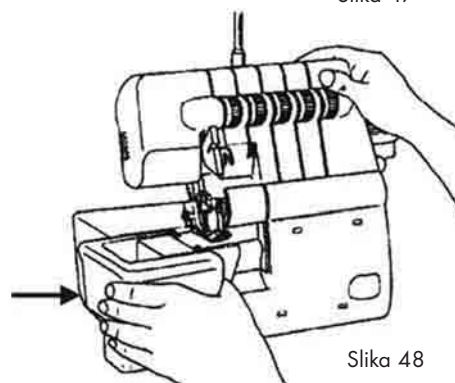
- Za ponovno namestitev pokrov proste roke potisnite na prosto roko 12 do konca, tako da se zaskoči in je trdno pritrjen (slika 48).



Slika 46



Slika 47



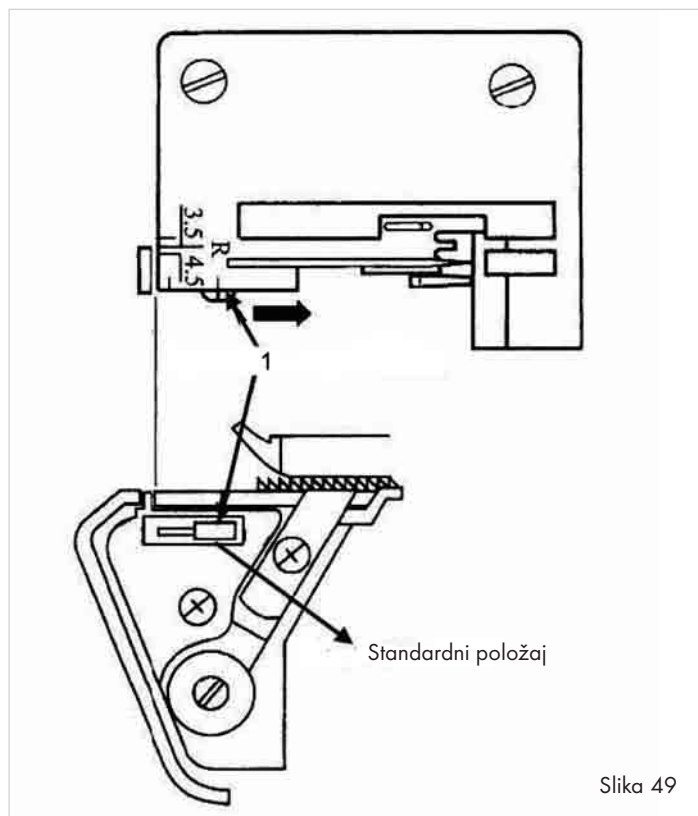
Slika 48

Opletilni šivi

- Odprite čelni pokrov ⑩.
- Potisnite stikalo za širino šivov ⑬ na „S“, tako da se nastavek za širino šivov pomakne naprej (1) (slika 49).

① Napotek:

Stikalo za širino šivov ⑬ morate potisniti do konca. Drugače šivi ne bodo pravilni.



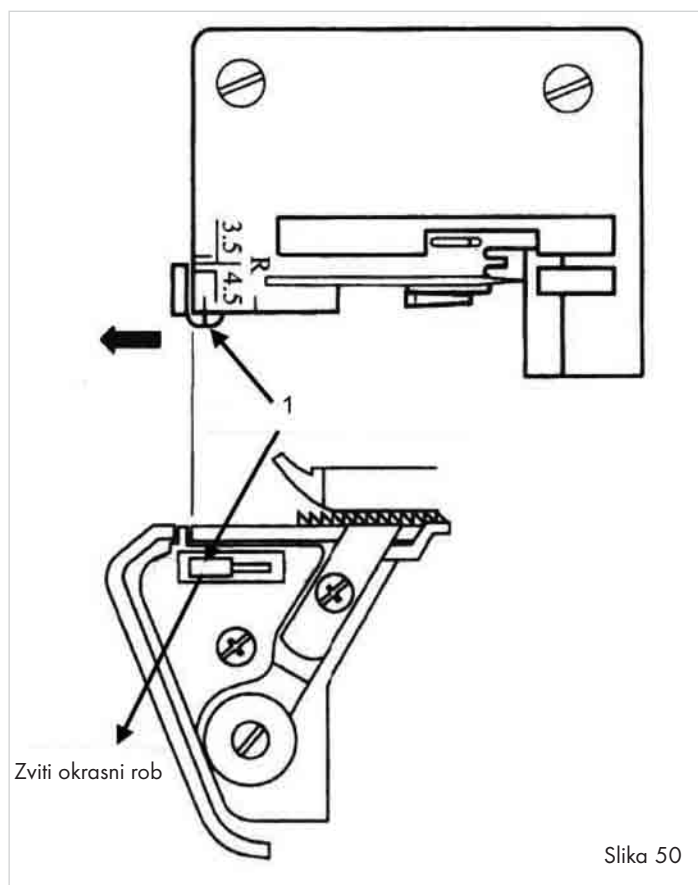
Slika 49

Zviti okrasni robovi

- Odprite čelni pokrov ⑩.
- Potisnite stikalo za širino šivov ⑬ na „R“, tako da se nastavek za širino šivov pomakne nazaj (1) (slika 50).

① Napotek:

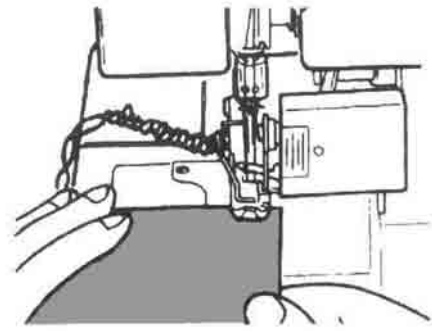
Stikalo za širino šivov ⑬ morate potisniti do konca, drugače šivi ne bodo pravilni.



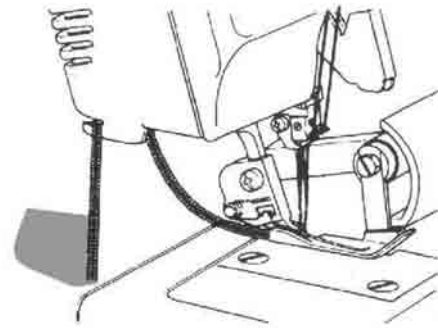
Slika 50

Obšivanje in poskusno šivanje

- Položite vse niti pod tačko ② in nazaj, rahlo na levo čez vbodno ploščo ⑬.
- Niti pridržite tako, da so rahlo napete.
- Obrnite kolesce ⑥ za 2 do 3 obrate k sebi, da začnete s šivanjem slepega verižnega šiva.
- Spustite tačko ② z ročico za tačko ④.
- Primite in ponovno pridržite slepi verižni šiv ter previdno pritiskajte na pedal, dokler slepi verižni šiv ni dolg okrog 5–7,5 cm.
- Blago od spredaj položite pod tačko ② in zašijte poskusni šiv (slika 51). Pri tem nikakor ne vlecite za blago, ker bi se igla drugače lahko upognila ali celo zlomila.
- Ko ste končali z blagom, šivajte še naprej za kakih 15–20 cm.
- Odrežite slepi verižni šiv s pomočjo rezila zadaj na stroju (slika 52).



Slika 51



Slika 52

Priporočene nastavitve napetosti

① **Napotek:**

Vsi podatki o nastavitvah napetosti za različne vrste vbodov so le orientacijske vrednosti. Napetost je zmeraj odvisna od vrste in debeline blaga za šivanje, debeline šivank ter debeline, vrste in materiala niti.

Zato je poskusno šivanje nujno potrebno. Samo tako lahko vidite, ali so nastavitve napetosti pravilne ali pa jih je še treba spremeniti.

2-nitni verižni ometični vbod (overlock)

Videz tega vboda vam prikazuje slika 53.

Ta vbod z eno šivanke in 2 nitma se uporablja za obrobjanje robov lahkih ali raztegljivih vrst blaga. S spremembo položaja šivanke lahko ustvarite ozek ali širok ometični šiv.

Nastavite kolesca za izbiro napetosti niti **14** **15** **16** **17** na primerne vrednosti (glejte tabelo) in na izbranem materialu zašijte poskusni šiv.

Za to vrsto vboda vstavek za zgornje držalo vtaknite v zgornje držalo **19**.

Blago	Napetost niti			
	modra	zelena	rdeča	rumena
lahko blago	2,0	-	uporaba vstavka za zgornje držalo	0
srednje težko blago	2,5	-	uporaba vstavka za zgornje držalo	0
težko blago	3,5	-	uporaba vstavka za zgornje držalo	0,5

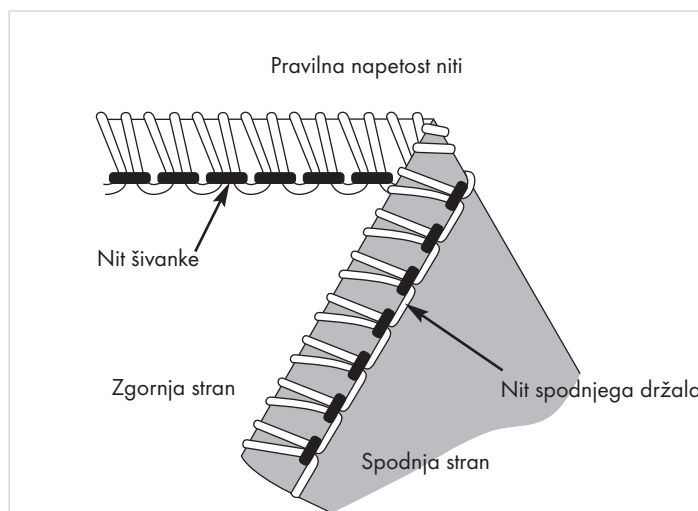
Blago	Napetost niti			
	modra	zelena	rdeča	rumena
lahko blago	-	1,5	uporaba vstavka za zgornje držalo	0,5
srednje težko blago	-	1,5	uporaba vstavka za zgornje držalo	0,5
težko blago	-	3,0	uporaba vstavka za zgornje držalo	1,5

Če je nit spodnjega držala prenapeta ali pa je nit šivanke prerahla (slika 54):

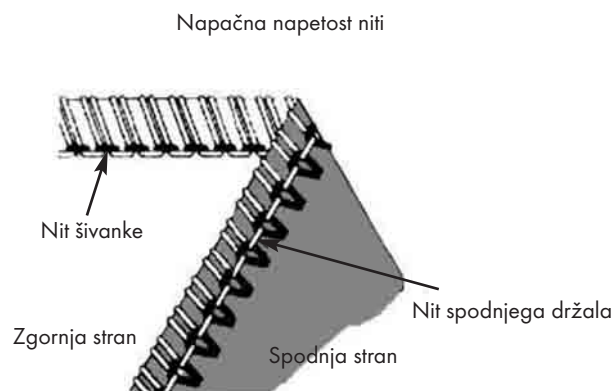
- obrnite kolesce za izbiro napetosti niti spodnjega držala **17** (rumena) na nižjo številko, ali...
- obrnite kolesce za izbiro napetosti niti šivanke (modra **14** ali zelena **15**) na višjo številko.

Če je nit spodnjega držala prerahla (slika 55), obrnite kolesce za izbiro napetosti niti spodnjega držala **17** (rumena) na višjo številko.

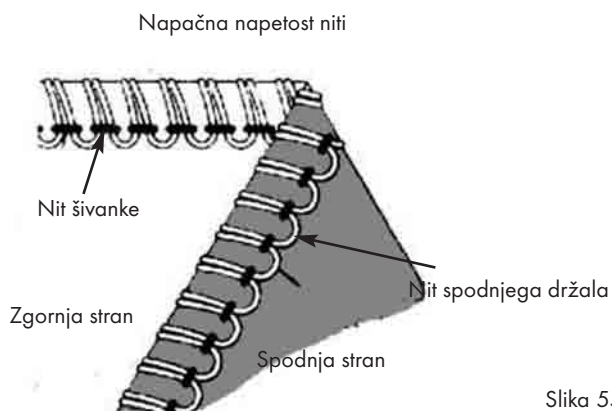
Položaj šivanke	
Stikalo za širino šivov	S
Dolžina vboda	2 - 4
Vstavek za zgornje držalo	vstaviti



Slika 53



Slika 54



Slika 55

2-nitni ometični vbod

Videz tega vboda vam prikazuje slika 56.

Ta vbod s šivanke in 2 nitma se uporablja za obrobjanje normalnih vrst blaga z ometičnim vbodom. Idealen je tudi za ploske šive (ploščati nadšiv ali spojni šiv) in za slepi rob.

S spremembo položaja šivanke lahko ustvarite ozek ali širok ometični šiv. Nastavite kolesca za izbiro napetosti niti **14** **15** **16** **17** na primerne vrednosti (glejte tabelo) in na izbranem materialu zašijte poskusni šiv.

Za to vrsto vboda vstavek za zgornje držalo vtaknite v zgornje držalo **19**.

Blago	Napetost niti			
	modra	zelena	rdeča	rumena
lahko blago	0,5	-	uporaba vstavka za zgornje držalo	1,0
srednje težko blago	0,5	-	uporaba vstavka za zgornje držalo	1,5
težko blago	1,0	-	uporaba vstavka za zgornje držalo	1,5


Blago	Napetost niti			
	modra	zelena	rdeča	rumena
lahko blago	-	1,0	uporaba vstavka za zgornje držalo	3,0
srednje težko blago	-	1,5	uporaba vstavka za zgornje držalo	3,5
težko blago	-	1,5	uporaba vstavka za zgornje držalo	3,5

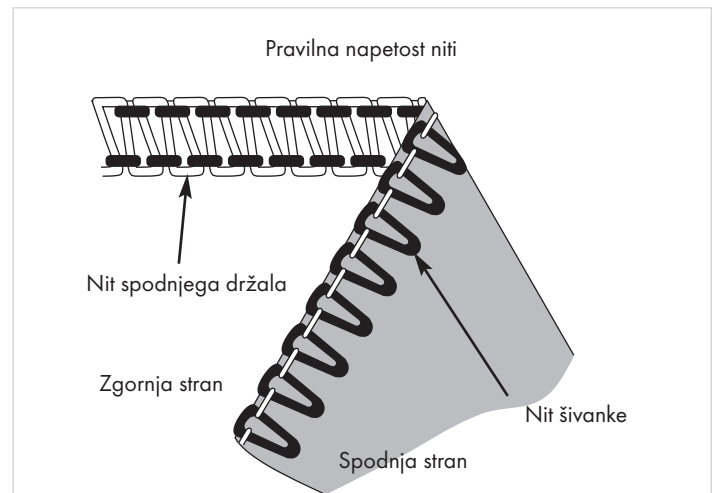
Če se nit spodnjega držala nahaja na spodnji strani blaga (slika 57):

- obrnite kolesce za izbiro napetosti niti spodnjega držala **17** (rumena) na višjo številko, ali...
- obrnite kolesce za izbiro napetosti niti šivanke (modra **14** ali zelena **15**) na nižjo številko.

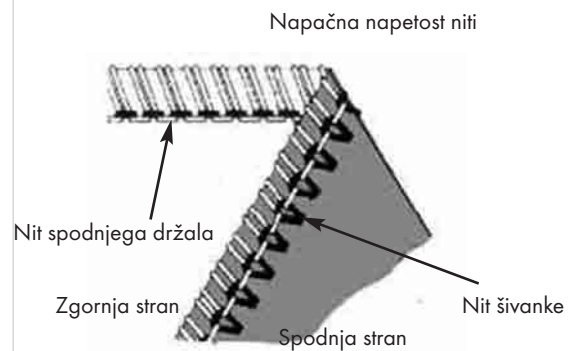
Če je nit šivanke prerahla (slika 58):

- obrnite kolesce za izbiro napetosti niti šivanke (modra **14** ali zelena **15**) na višjo številko.
- obrnite kolesce za izbiro napetosti niti spodnjega držala **17** (rumena) na nižjo številko.

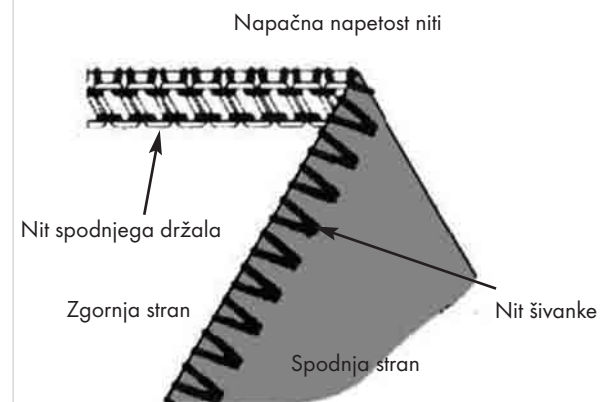
Položaj šivanke	
Stikalo za širino šivov	S
Dolžina vboda	2-4
Vstavek za zgornje držalo	vstaviti



Slika 56



Slika 57



Slika 58

3-nitni verižni vbod (overlock)

Videz tega vboda vam prikazuje slika 59.

Ta vbod z eno šivanke in 3 nitmi se uporablja za obrobljanje robov z omejitnim vbodom pri normalnih vrstah blaga.

S spremembo položaja šivanke lahko ustvarite ozek ali širok omejitni šiv.

Nastavite kolesca za izbiro napetosti niti **14** **15** **16** **17** na primerne vrednosti (glejte tabelo) in na izbranem materialu zašijte poskusni šiv.

Položaj šivanke	
Stikalo za širino šivov	S
Dolžina vboda	2-4
Vstavek za zgornje držalo	ni potreben

Blago	Napetost niti			
	modra	zelena	rdeča	rumena
lahko blago	2,0	-	2,0	1,0
srednje težko blago	3,0	-	2,0	1,5
težko blago	3,0	-	3,0	1,5

Blago	Napetost niti			
	modra	zelena	rdeča	rumena
lahko blago	-	2,0	7,0	2,0
srednje težko blago	-	2,5	6,5	2,5
težko blago	-	3,5	6,5	2,5

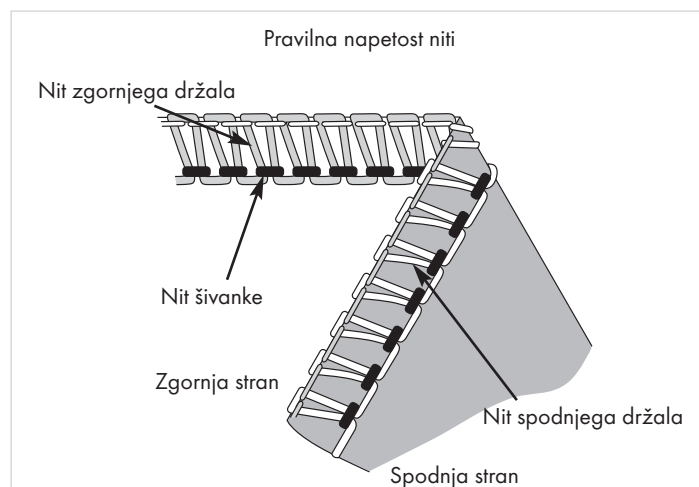
Če se nit zgornjega držala nahaja na spodnji strani blaga (slika 60):

- obrnite kolesce za izbiro napetosti niti **16** za nit zgornjega držala (rdeča) na višjo številko, ali...
- obrnite kolesce za izbiro napetosti niti spodnjega držala **17** (rumena) na nižjo številko.

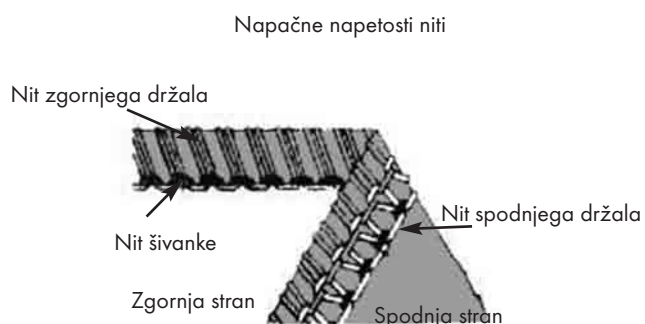
Če se nit spodnjega držala nahaja na zgornji strani blaga (slika 61):

- obrnite kolesce za izbiro napetosti niti spodnjega držala **17** (rumena) na višjo številko, ali...
- obrnite kolesce za izbiro napetosti niti **16** za nit zgornjega držala (rdeča) na nižjo številko.

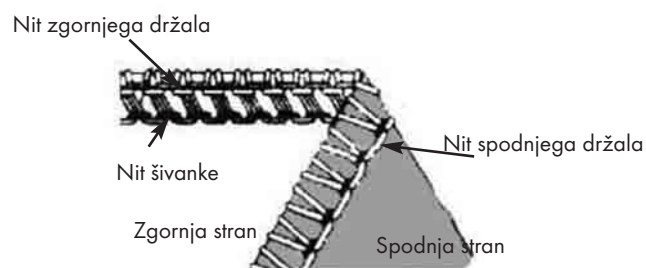
Če je nit v šivanke prerahla (slika 62), obrnite kolesce za izbiro napetosti niti šivanke (modra **14** ali zelena **15**) na višjo številko.



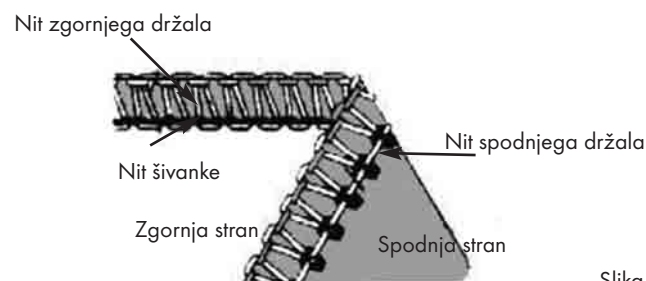
Slika 59



Slika 60



Slika 61



Slika 62

3-nitni ploski vbod

Videz tega vboda vam prikazuje slika 63.

Ta vbod s šivanke in 3 nitmi se uporablja za spojne šive ali ploščate nadšive in za okrasne vbode z dekorativno nitjo. S spremembo položaja šivanke lahko ustvarite ozek ali širok ploski (opletilni) šiv.

Nastavite kolesca za izbiro napetosti niti **14** **15** **16** **17** na primerne vrednosti (glejte tabelo) in na izbranem materialu zašijte poskusni šiv.

Blago	Napetost niti			
	modra	zelena	rdeča	rumena
lahko blago	0,5	-	2,5	2,5
srednje težko blago	0,5	-	2,0	2,0
težko blago	1,0	-	3,0	3,0

Blago	Napetost niti			
	modra	zelena	rdeča	rumena
lahko blago	-	0	7,0	4,0
srednje težko blago	-	0,5	7,0	4,0
težko blago	-	1,0	7,0	4,0

Če je nit spodnjega držala prerahla (slika 64):

- obrnite kolesce za izbiro napetosti niti spodnjega držala **17** (rumena) na višjo številko, ali...
- obrnite kolesce za izbiro napetosti niti šivanke (modra **14** ali zelena **15**) na nižjo številko.

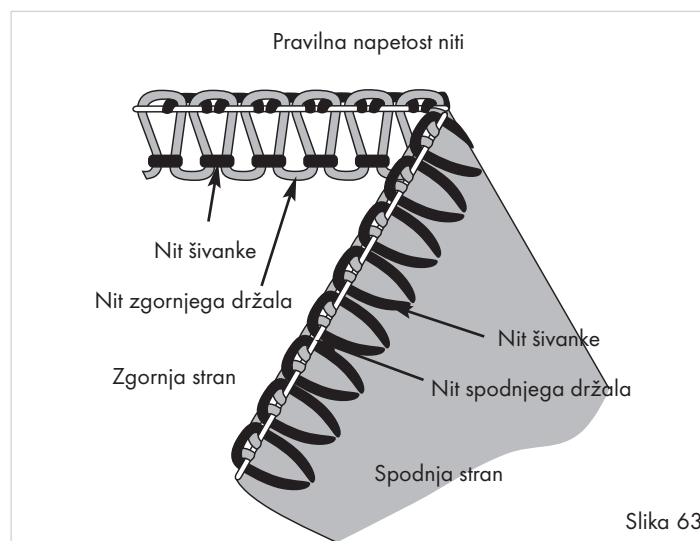
Če je nit zgornjega držala prerahla (slika 65):

- obrnite kolesce za izbiro napetosti niti zgornjega držala **16** (rdeča) na višjo številko, ali...
- obrnite kolesce za izbiro napetosti niti šivanke (modra **14** ali zelena **15**) na nižjo številko.

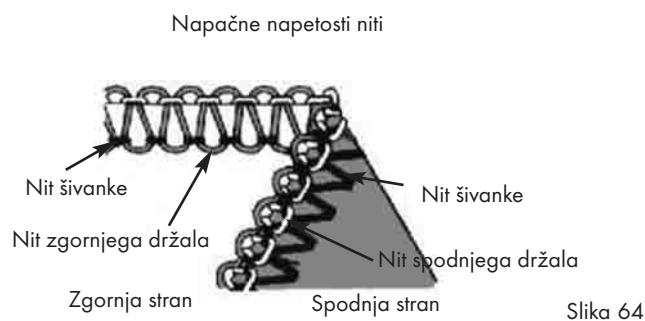
Če je nit šivanke prerahla (slika 66):

- obrnite kolesce za izbiro napetosti niti šivanke (modra **14** ali zelena **15**) na višjo številko.
- obrnite kolesce za izbiro napetosti niti zgornjega držala **16** (rdeča) na nižjo številko.

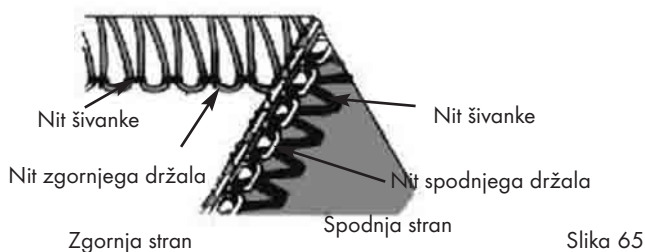
Položaj šivanke	
Stikalo za širino šivov	S
Dolžina vboda	2-4
Vstavek za zgornje držalo	ni potreben



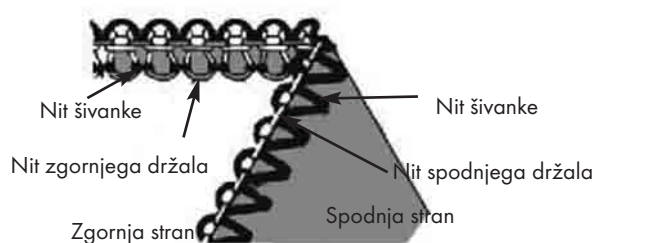
Slika 63



Slika 64



Slika 65



Slika 66

3-nitni verižni ometični vbod (overlock)

Videz tega vboda vam prikazuje slika 67.

Ta vbod z eno iglo in 3 nitmi se na primer uporablja za šivanje okrasnih robov.

S spremembo položaja šivanke lahko ustvarite ozek ali širok ometični verižni šiv.

Nastavite kolesca za izbiro napetosti niti **14** **15** **16** **17** na primerne vrednosti (glejte tabelo) in na izbranem materialu zašijte poskusni šiv.

Položaj šivanke	
Stikalo za širino šivov	S
Dolžina vboda	2-4
Vstavek za zgornje držalo	ni potreben

Blago	Napetost niti			
	modra	zelena	rdeča	rumena
lahko blago	2,0	-	0	4,0
srednje težko blago	3,0	-	0,5	6,5
težko blago	4,0	-	0,5	7,5

Blago	Napetost niti			
	modra	zelena	rdeča	rumena
lahko blago	-	1,5	0	5,0
srednje težko blago	-	2,5	1,0	7,0
težko blago	-	3,0	1,5	8,0

Če je nit zgornjega držala prerahla (slika 68):

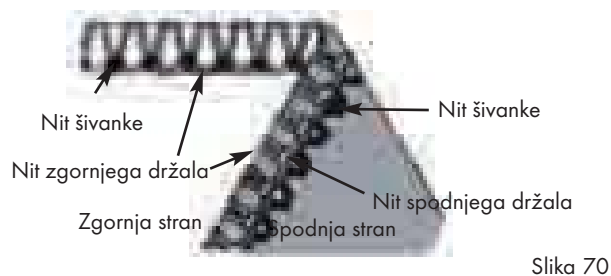
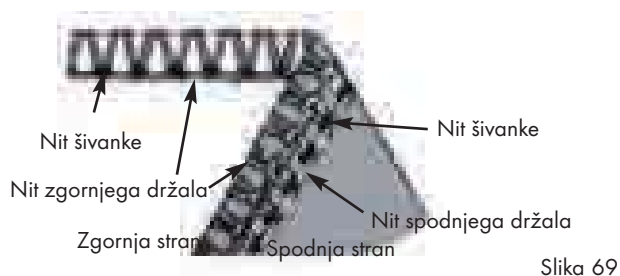
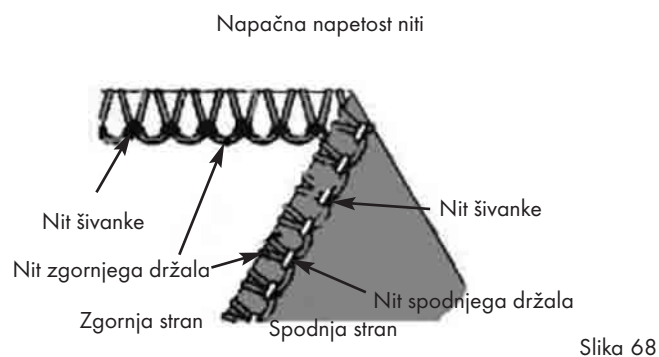
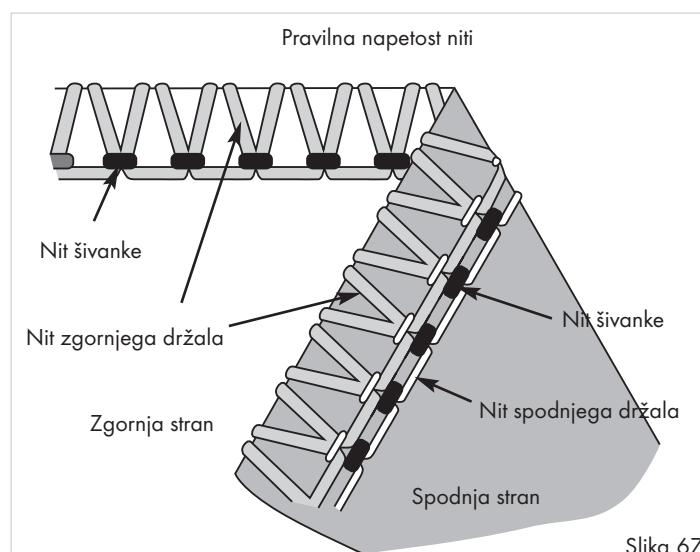
- obrnite kolesce za izbiro napetosti niti zgornjega držala **16** (rdeča) na višjo številko.

Če je nit spodnjega držala prerahla (slika 69):

- obrnite kolesce za izbiro napetosti niti spodnjega držala **17** (rumena) na višjo številko, ali...
- obrnite kolesce za izbiro napetosti niti zgornjega držala **16** (rdeča) na nižjo številko.

Če je nit šivanke prerahla (slika 70):

- obrnite kolesce za izbiro napetosti niti šivanke (modra **14** ali zelena **15**) na višjo številko.
- obrnite kolesce za izbiro napetosti niti zgornjega držala **16** (rdeča) na nižjo številko.



3-nitni varnostni vbod, močno raztegljiv, imitiran

Videz tega vboda vam prikazuje slika 71.

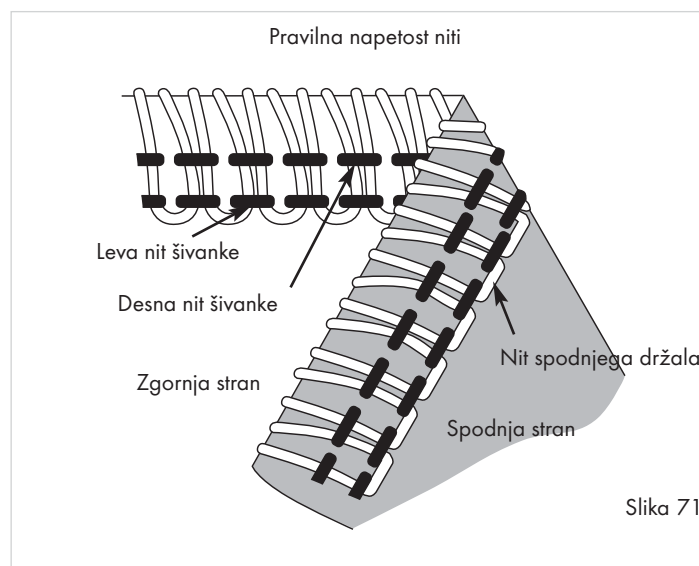
Ta vbod z 2 šivančkama in 3 nitmi je idealen za lahke, izredno raztegljive vrste blaga, kot npr. triko in elasthan.

Nastavite kolesca za izbiro napetosti niti **14** **15** **16** **17** na primerne vrednosti (glejte tabelo) in na izbranem materialu zašijte poskusni šiv.

Za to vrsto vboda vstavek za zgornje držalo vtaknite v zgornje držalo **19**.

Položaj šivanke	
Stikalo za širino šivov	S
Dolžina vboda	2-4
Vstavek za zgornje držalo	vstaviti

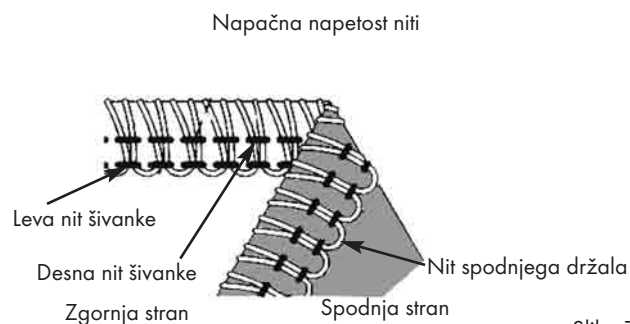
Blago	Napetost niti			
	modra	zelena	rdeča	rumena
lahko blago	2,0	1,5	uporaba vstavka za zgornje držalo	0
srednje težko blago	3,0	2,0	uporaba vstavka za zgornje držalo	0,5
težko blago	4,0	3,0	uporaba vstavka za zgornje držalo	1,0



Slika 71

Če je nit zgornjega držala prerahla (slika 72):

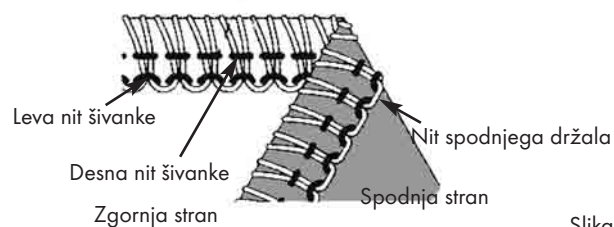
- obrnite kolesce za izbiro napetosti niti spodnjega držala **17** (rumena) na višjo številko.



Slika 72

Če je leva nit šivanke prerahla (slika 73):

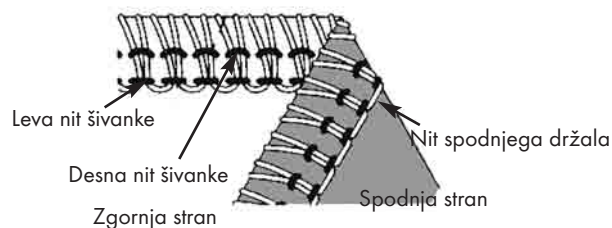
- obrnite kolesce za izbiro napetosti niti za levo šivančko **14** (modra) na višjo številko.



Slika 73

Če je desna nit šivanke prerahla (slika 74):

- obrnite kolesce za izbiro napetosti niti za desno šivančko **15** (zelena) na višjo številko.



Slika 74

4-nitni varnostni vbod, močno raztegljiv, imitiran

Videz tega vboda vam prikazuje slika 75.

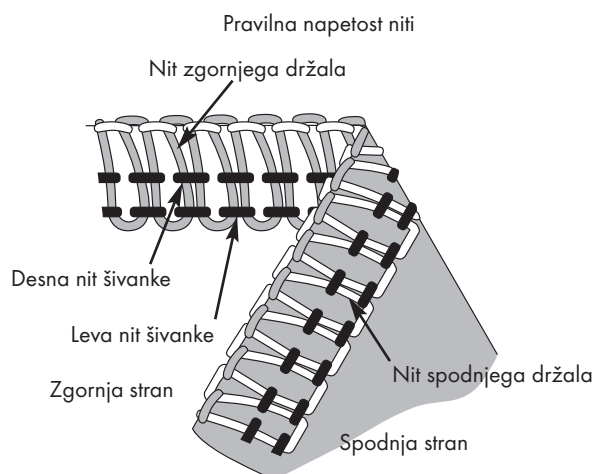
Ta vbod z 2 šivankama in 4 nitmi je idealen za srednje do težke vrste blaga, kot npr. dvojne pletenine in material za kopalke.

Primeren je za povezavo dveh vrst blaga in za istočasno obrobjanje robov.

Nastavite kolesca za izbiro napetosti niti **14** **15** **16** **17** na primerne vrednosti (glejte tabelo) in na izbranem materialu zašijte poskusni šiv.

Blago	Napetost niti			
	modra	zelena	rdeča	rumena
lahko blago	2,5	2,0	2,5	2,0
srednje težko blago	3,0	2,0	3,0	2,0
težko blago	4,0	2,5	4,0	2,5

Položaj šivanke	
Stikalo za širino šivov	S
Dolžina vboda	2-4
Vstavek za zgornje držalo	ni potreben



Slika 75

Če se nit zgornjega držala nahaja na spodnji strani blaga (slika 76):

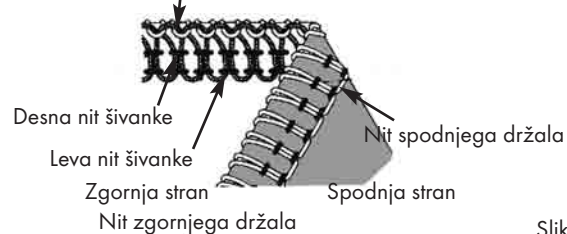
- obrnite kolesce za izbiro napetosti niti zgornjega držala **16** (rdeča) na višjo številko, ali...
- obrnite kolesce za izbiro napetosti niti spodnjega držala **17** (rumena) na nižjo številko.



Slika 76

Če se nit spodnjega držala nahaja na zgornji strani blaga (slika 77):

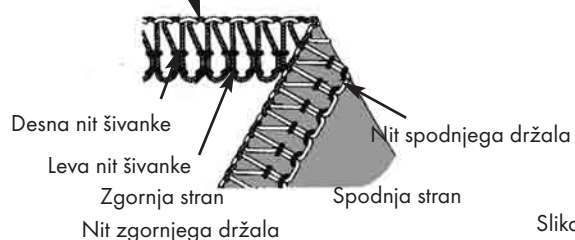
- obrnite kolesce za izbiro napetosti niti spodnjega držala **17** (rumena) na višjo številko, ali...
- obrnite kolesce za izbiro napetosti niti zgornjega držala **16** (rdeča) na nižjo številko.



Slika 77

Če je leva nit šivanke prerahla (slika 78):

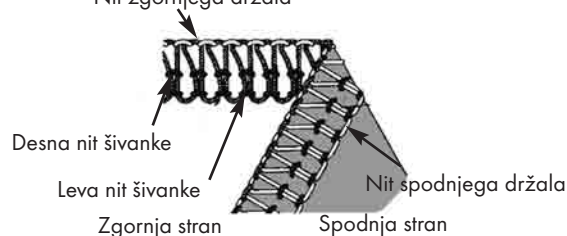
- obrnite kolesce za izbiro napetosti niti za levo šivanko **14** (modra) na višjo številko.



Slika 78

Če je desna nit šivanke prerahla (slika 79):

- obrnite kolesce za izbiro napetosti niti za desno šivanko **15** (zelena) na višjo številko.



Slika 79

Zviti okrasni robovi

S tem strojem lahko šivate štiri različne tipe zvitega okrasnega roba. Pri šivanju zvityh okrasnih robov se rob blaga zasuka in prešije z opletilnim šivom. Za to vrsto robov so najbolj primerne lahke vrste blaga kot batist, šifon, organza itd. Težke vrste blaga ali toge tkanine niso primerne za zvite okrasne robove.

- Odstranite levo šivanko.
- Preklopite stikalo za širino šivov 23 na „R“ (slika 80).
- Usmerite oporno ploščo nastavka za širino šivov glede na oznako „R“ na vbodni plošči z obračanjem gumba za nastavljanje širine šivov 24 (slika 81).
- Prestavite kolesce za dolžino vboda 5 na „F - 2“ (slika 82). Tako boste ustvarili fin šiv.
- Za zvite okrasne robove uporabljajte šivanko št. kat. 14.

i Napotki:

- Za zviti okrasni rob lahko uporabite mnogo različnih kombinacij niti. Za izdelavo posebej lepega zvitega okrasnega roba (3-nitni zviti okrasni rob) uporabite voluminozen sukanec (voluminozni poliamidni sukanec/Woolly Nylon) kot nit zgornjega držala in normalno nit za šivanke in spodnje držalo. Za 2-nitni zviti okrasni rob uporabite voluminozni sukanec kot nit spodnjega držala in normalni sukanec kot nit šivanke.
- Na začetku šivanja slepi verižni šiv pridržite, da se ne skrje v šiv.
- Material v smeri šivanja rahlo napnite. Tako bo šiv postal bolj fin.
- Preden slepi verižni šiv odrežete v bližini blaga, na šiv dajte majhno kapljico tekstilnega lepila, ki naj se najprej posuši. Še prej pa preverite barvno obstojnost blaga v stiku z lepilom.

3-nitni zviti okrasni rob

Videz tega vboda vam prikazuje slika 83.

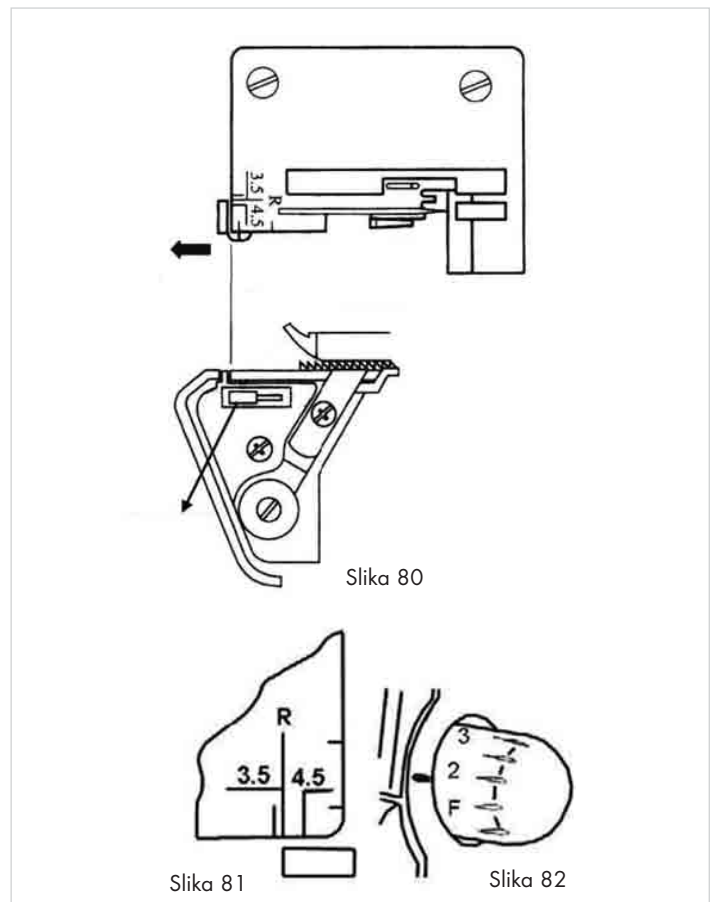
Nit zgornjega držala	Napetost niti			
	modra	zelena	rdeča	rumena
poliester	-	2,0	7,5	3,0
voluminozen sukanec	-	2,0	2,0	2,0

Nastavite kolesca za izbiro napetosti niti 15 16 17 na primerne vrednosti (glejte tabelo) in na izbranem materialu zašijte poskusni šiv.

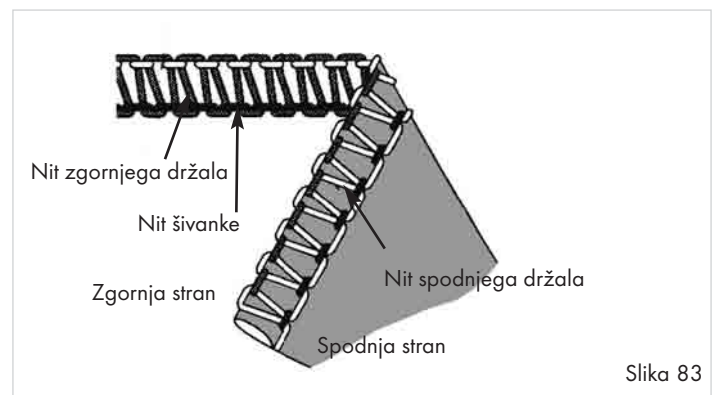
3-nitni ometični zviti okrasni rob z zgornjim držalom

Videz tega vboda vam prikazuje slika 84. Nastavite kolesca za izbiro napetosti niti 15 16 17 na primerne vrednosti (glejte tabelo) in na izbranem materialu zašijte poskusni šiv.

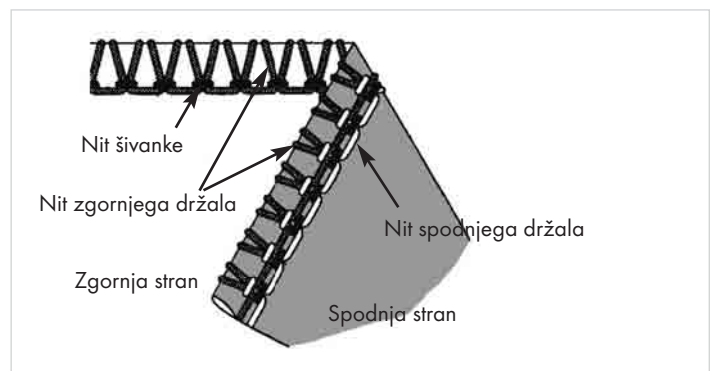
Nit zgornjega držala	Napetost niti			
	modra	zelena	rdeča	rumena
poliester	-	2,0	5,5	7,0
voluminozen sukanec	-	2,0	0	2,5



Položaj šivanke	
Stikalo za širino šivov	R
Dolžina vboda	F - 2
Vstavek za zgornje držalo	ni potreben



Slika 83




2-nitni zviti okrasni rob

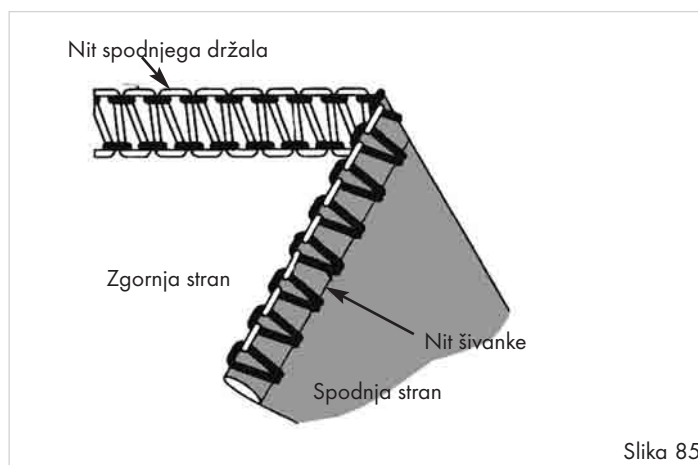
Videz tega vboda vam prikazuje slika 85.

Nastavite kolesca za izbiro napetosti niti 15 17 na primerne vrednosti (glejte tabelo) in na izbranem materialu zašijte poskusni šiv.

Za to vrsto vboda vstavek za zgornje držalo vtaknite v zgornje držalo 19.

Nit spodnjega držala	Napetost niti			
	modra	zelena	rdeča	rumena
voluminozen sukanec	-	1,5	uporaba vstavka za zgornje držalo	1,5

Položaj šivanke	
Stikalo za širino šivov	R
Dolžina vboda	F - 2
Vstavek za zgornje držalo	vstaviti



Slika 85


2-nitni ometični zviti okrasni rob s spodnjim držalom

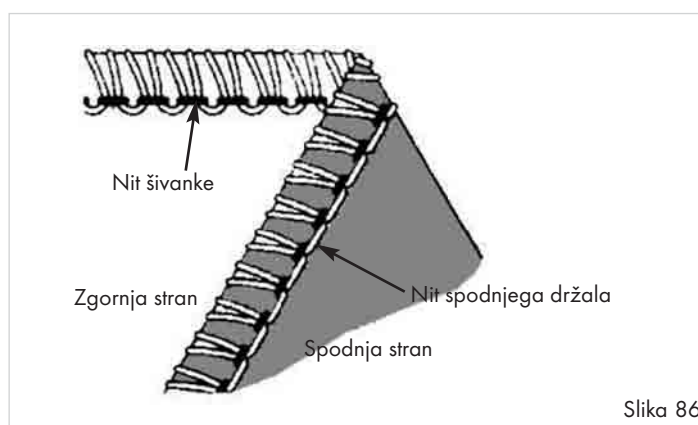
Videz tega vboda vam prikazuje slika 86.

Nastavite kolesca za izbiro napetosti niti 15 17 na primerne vrednosti (glejte tabelo) in na izbranem materialu zašijte poskusni šiv.

Za to vrsto vboda vstavek za zgornje držalo vtaknite v zgornje držalo 19.

Nit spodnjega držala	Napetost niti			
	modra	zelena	rdeča	rumena
poliester	-	2,0	uporaba vstavka za zgornje držalo	2,0
voluminozen sukanec	-	1,5	uporaba vstavka za zgornje držalo	1,5

Položaj šivanke	
Stikalo za širino šivov	R
Dolžina vboda	F - 2
Vstavek za zgornje držalo	vstaviti



Slika 86

Ploski okrasni šivi

Za izdelavo ploskih šivov nastavite napetost niti za 3-nitni opletilni vbod. Zašijte šiv in potem blago razpotegnite, da se šiv zgladi.

Ploski šiv lahko uporabite kot dekorativni montažni šiv ali samo kot okrasni šiv (slika 87, temna nit).

ⓘ Napotki:

- Pazite na pravilno napetost niti, da lahko blago po koncu šivanja ustrezno razpotegnete.
- Uporabite dekorativno nit za zgornje držalo, ker je to najpomembnejša nit, ki je dobro vidna.

1. Odstranite desno oz. levo iglo (slika 88).

2. Nastavite priporočeno napetost za 3-nitni opletilni šiv (slika 89).
3. Nastavite še napetost zgornje niti (zelena oz. modra), ki naj bo bistveno rahlejša.
4. Sedaj malce popustite še napetost niti zgornjega držala (rdeča).
5. Potem napetost niti spodnjega držala (rumena) nastavite na bistveno večjo.

Ploski šiv kot montažni šiv

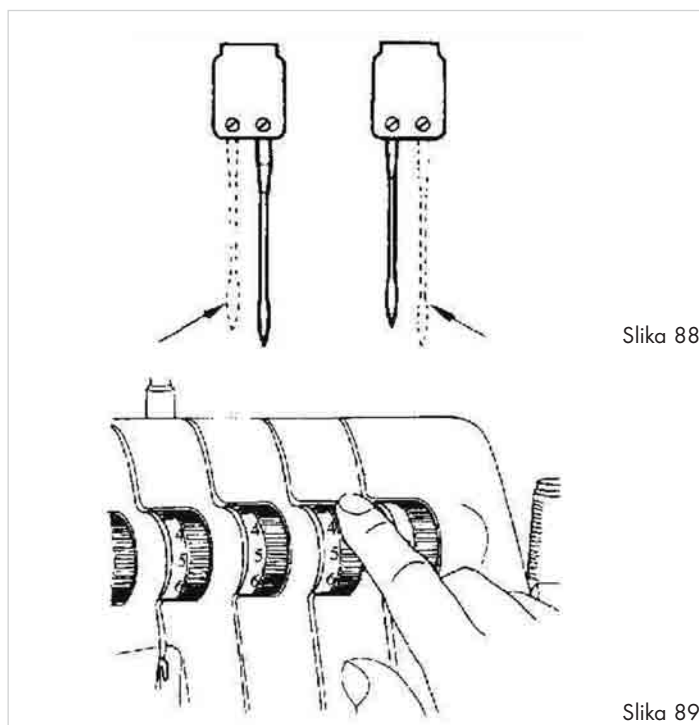
- Oba kosa blaga za šivanje položite z levima stranema skupaj, da lahko ustvarite dekorativni šiv na desni strani.
- Zašijte šiv in pri tem odrežite preostanek blaga (slika 90).

Videz tega vboda vam prikazuje slika 91.

- Zgornja nit (nit šivanke) (zelena ali modra) v tem primeru poteka v obliki črke V na levi strani blaga.
- Nit spodnjega držala poteka kot ravna črta ob robu blaga.
- Blago na obeh straneh šiva razpotegnite, da se vbodi poležejo in sploščijo.

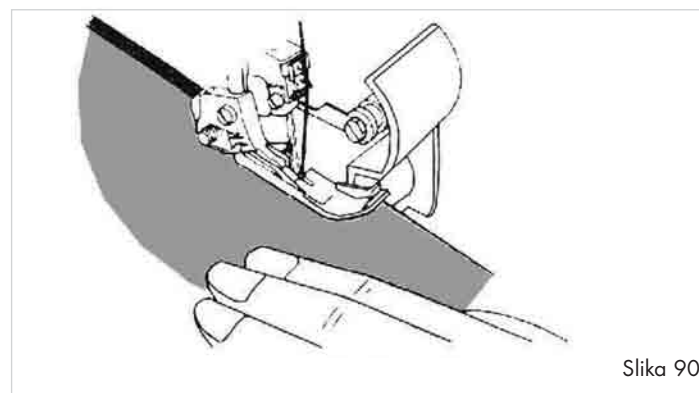


Slika 87

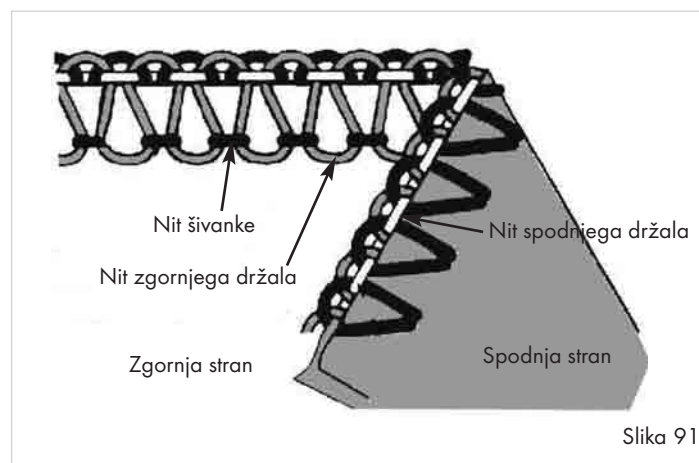


Slika 88

Slika 89



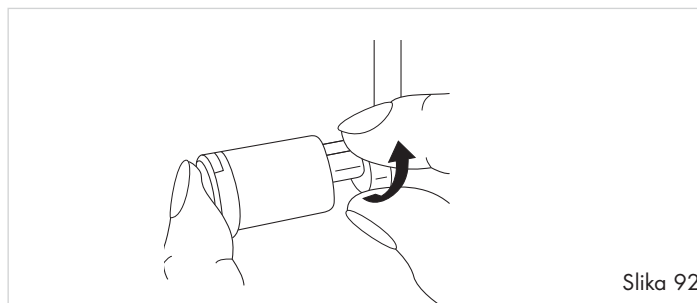
Slika 90



Slika 91

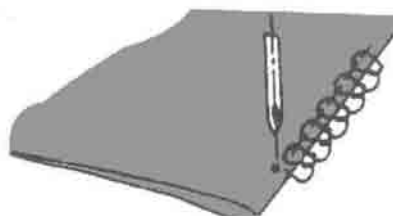
Ploski šiv kot okrasni šiv

- Pomično zgornje rezilo **18** pomaknite v položaj mirovanja (slika 92). Pri tej vrsti šiva se blago ne odreže.
- Blago zložite tako, da eno levo stran položite na drugo levo stran.



Slika 92

- Blago položite v stroj tako, da se bo en del vboda šival izven blaga (slika 93).
- Zašijte šiv.
- Potem blago razklopite. Vbodi se bodo polegli in sploščili.



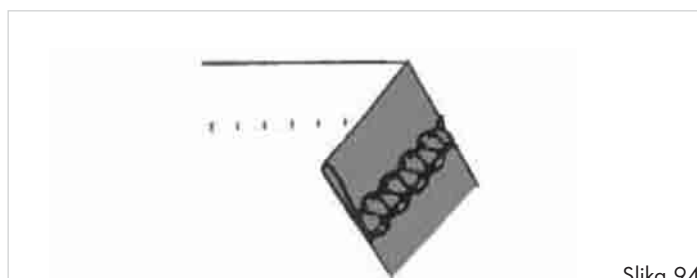
Slika 93

Opletilni slepi robovi

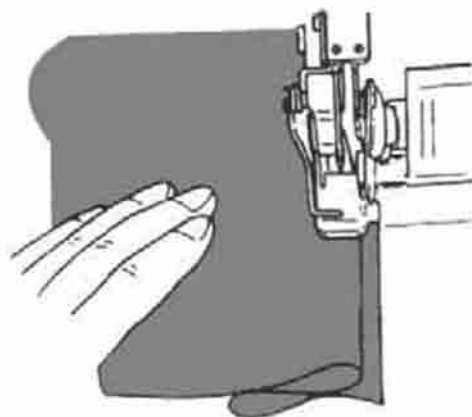
Opletilni slepi rob je najbolj primeren za pletenine. Ustvari trajno obrobo, pri tem pa je skoraj neopazen (slika 94).

V enem delovnem koraku se odreže odvečno blago, zašije rob in pošije z opletilnim šivom.

1. Odstranite levo šivanko in stroj nastavite za ozek 3-nitni opletilni šiv.
2. Prestavite dolžino vboda na 4.
3. Rob prepognite, najprej na levo nato na desno stran blaga, tako da rob blaga sega za 6 mm čez prvo gubo (slika 95).
4. Gubo previdno pošijte. Pri tem se mora šivanka v rob gube zabadati naravnost.



Slika 94

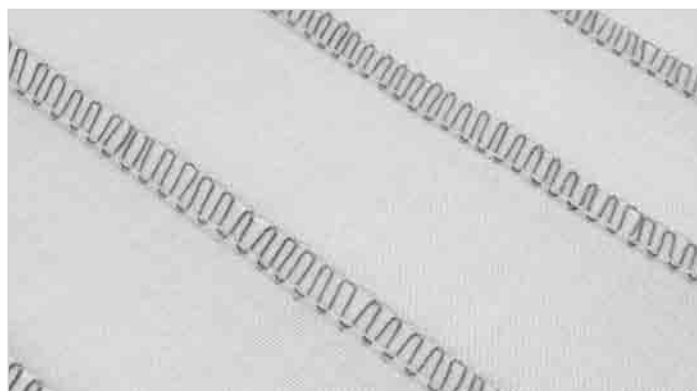


Slika 95

Všiti robovi

Svoja oblačila lahko okrasite z všitimi robovi, ki jih zašijete pred prirezovanjem (slika 96). Všiti robovi so okrasni šivi, kot je prikazano na sliki 96.

1. Odstranite levo šivanko in stroj nastavite za ozek 3-nitni opletilni šiv.
2. Premaknite zgornje rezilo **18** v položaj mirovanja.
3. Za doseganje enakomernega rezultata na blago narišite zeleno število všitih robov z vodotopnim tekstilnim pisalom ali kredo za blago.
4. Blago zložite na levo in zašijte robove.
5. Ko so vsi robovi všiti, jih zlikajte vse v eno smer, da se prilegajo enakomerno plosko.



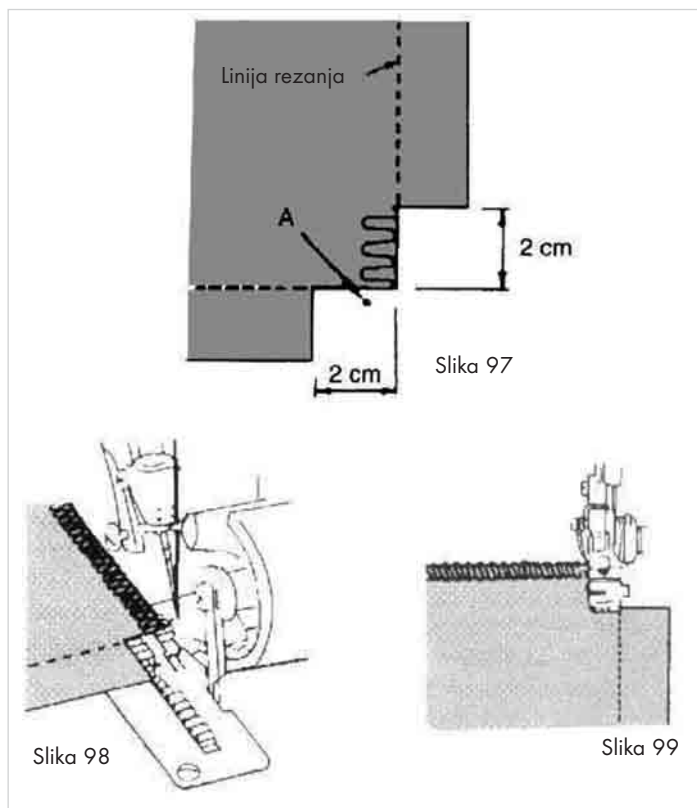
Slika 96

Šivanje vogalov

Zunanji vogali

1. Pred in za vogalom blago odrežite za okrog 2 cm do izteka šiva (slika 97).
2. Šivajte za en vbod dlje od oznake „A“ na risbi in potem nehajte šivati (slika 97).

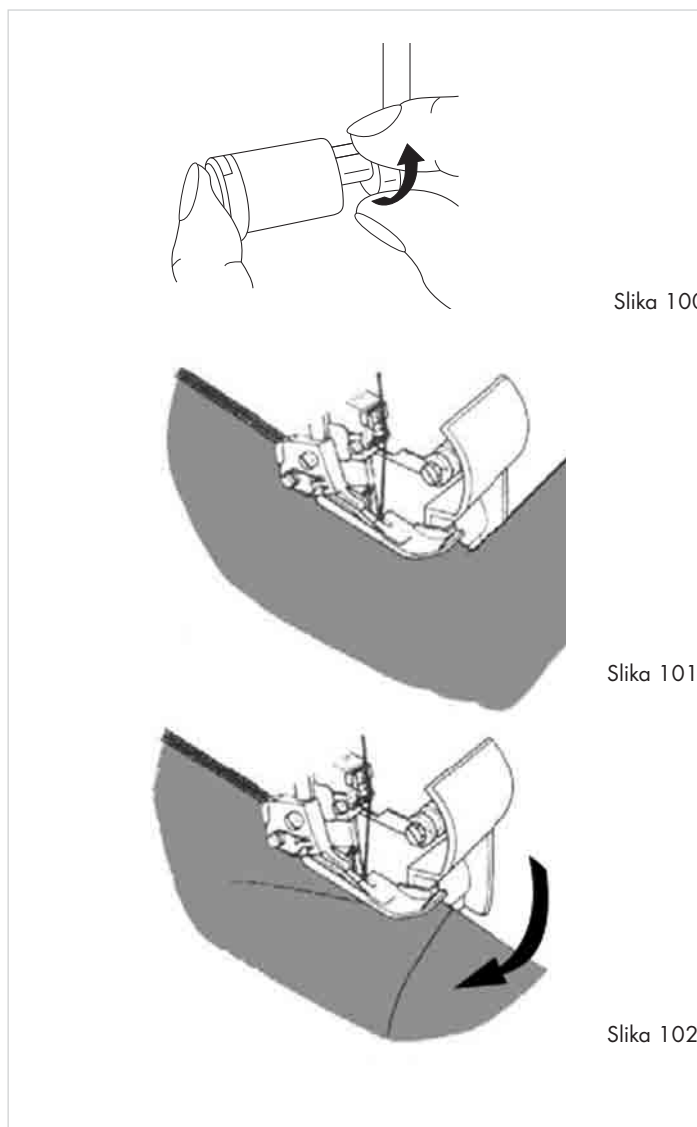
3. Dvignite šivanko in tačko 21.
4. Blago potegnite nazaj tako daleč, da se sprostí nit, ki jo drži nastavek vbodne plošče 18. (Za boljšo prepoznavnost na risbi 98 tačka 21 ni prikazana).
5. Blago obrnite in spustite tačko 21, tako da se zgornje rezilo 18 nahaja v isti liniji kot odrezani rob (slika 99).
6. Proste niti potegnite navzgor in šivajte naprej.



Notranji vogali

1. Blago odrežite ob robu šiva.
2. Pomaknite zgornje rezilo 18 v položaj mirovanja (slika 100).

3. Šivajte po odrezanem robu (slika 101).
4. Tik preden dosežete vogal, prenehajte šivati.
5. V točki vogala ustvarite gubo, tako da oba robova tvorita ravno linijo (slika 102).
6. Počasi pošijete vogal in za njim še drugi rob. Pri tem pazite, da ne pošijete tudi gube!



Nasveti in prijemi

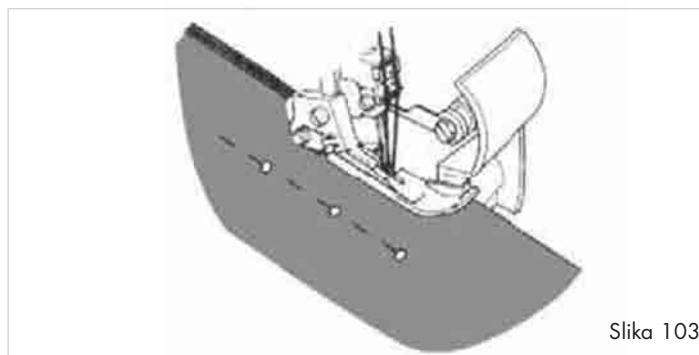
Vdevanje bucik

Bucike zmeraj vdevajte levo od tačke 21 (slika 103).

Tako se bucike ne nahajajo na območju rezanja rezil 18 22 in jih potem z lahkoto odstranite.

⚠ **Pozor! Možnost okvare naprave!**

Nikoli ne šivajte čez bucike ali druge trde materiale. Rezila 18 22 bi se pri tem lahko nepopravljivo poškodovala!



Slika 103

Zavarovanje slepega verižnega šiva

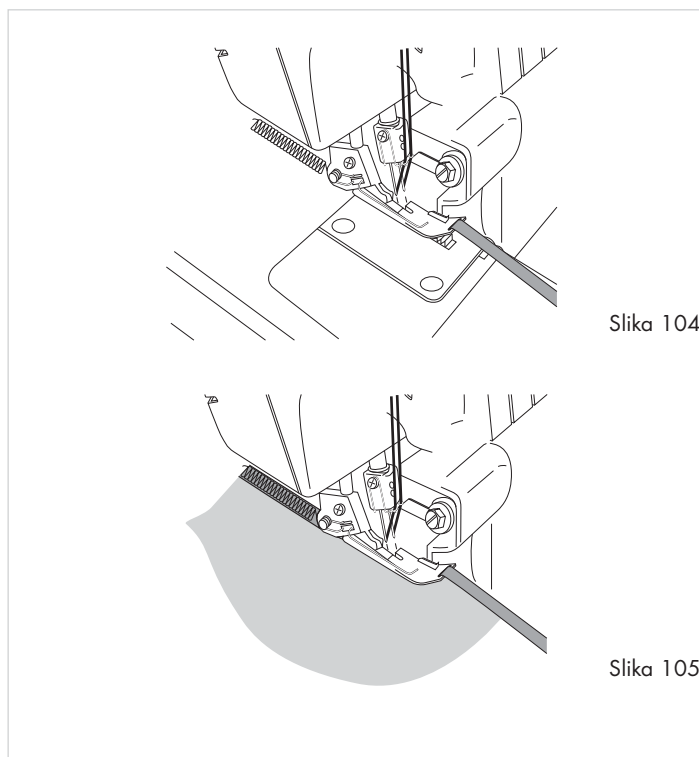
Za preprečevanje razpustitve slepega verižnega šiva tega vdenite v ročno šivanko. Šivanko vtaknite v konec šiva, da tako zavarujete slepi verižni šiv.

Ojačitev šivov

Šiv lahko ojačate tako, da všijete trak iz kepra.

V ta namen trak dovedite skozi režo v sprednjem delu tačke 21 (slika 104).

Trak položite pod tačko in ga speljite nazaj ter zašijte. Tako se trak prišije s šivom (slika 105).



Slika 104

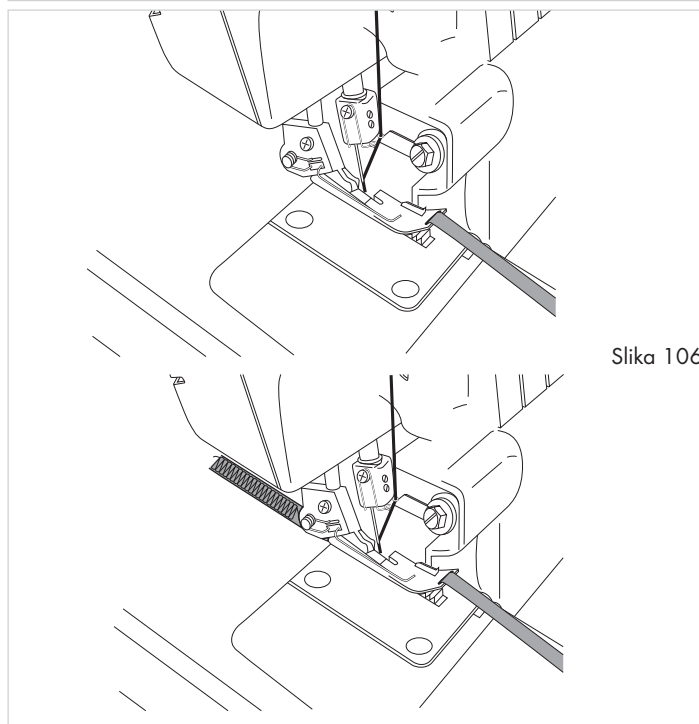
Slika 105

Okrasni trakovi

1. Premaknite zgornje rezilo 18 v položaj mirovanja.
2. Odstranite desno iglo in pripadajočo nit.
3. Vrvico za vstavljanje (sukanec ali trak iz kepra) potegnite skozi režo v sprednjem delu tačke 21 (slika 106).

4. Vrvico za vstavljanje položite pod tačko 21 in verižno obrobite zeleno dolžino (slika 107).

Verižno obšite okrasne trakove lahko uporabite posamezno ali pa jih več povežete skupaj.



Slika 106

Vzdrževanje in čiščenje

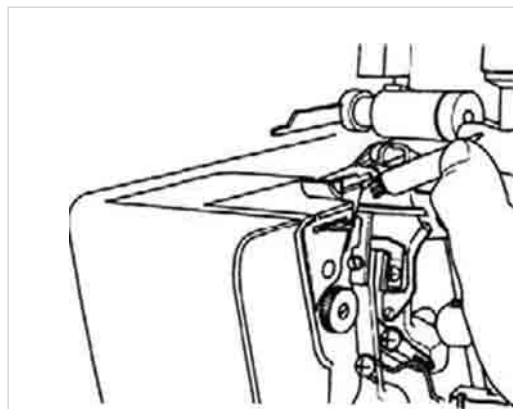
⚠ Pozor!

Pred čiščenjem ali vzdrževanjem omrežni vtič zmeraj potegnite iz omrežne vtičnice. Tako stroja ne bo mogoče nenamerno vklopiti. Drugače obstaja nevarnost poškodb!

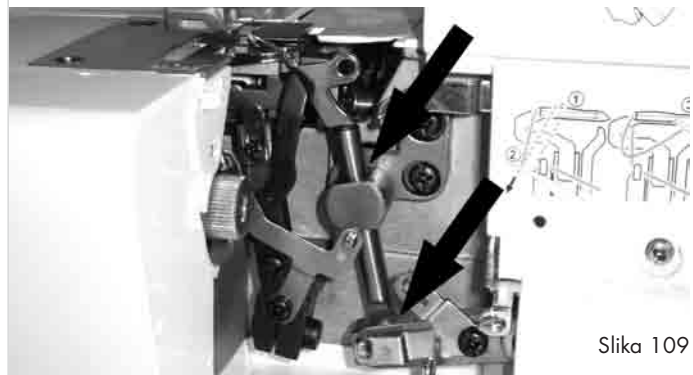
Čiščenje in mazanje

- Redno odstranjujte prah in vlakna iz območja držal in rezil. V ta namen lahko uporabljate priloženi čopič (slika 108).
- Stroj obrišite z rahlo navlaženo krpo.

- Stroj redno mažite na točkah za mazanje, prikazanih na sliki 109. V ta namen uporabljajte izključno olje za šivalni stroj.



Slika 108



Slika 109

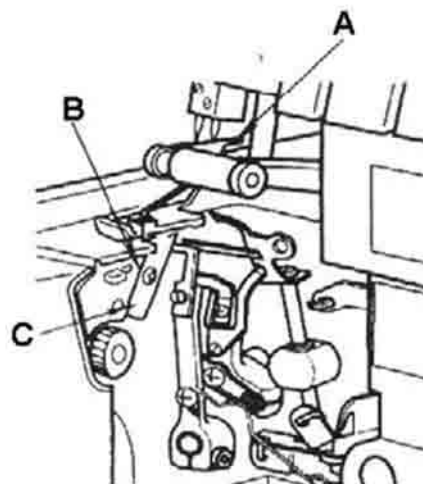
Menjava spodnjega rezila

⚠ Pozor!

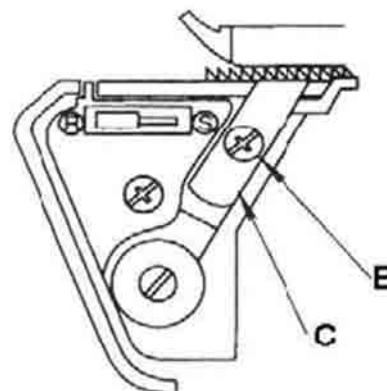
Pred menjavanjem rezila 22 zmeraj potegnite omrežni vtič iz omrežne vtičnice. Tako stroja ne bo mogoče nenamerno vklopiti. Drugače obstaja nevarnost poškodb!

Zamenjajte spodnje rezilo 22, kakor hitro opazite, da spodnje rezilo 22 ne reže več pravilno in brezhibno. Pomagajte si s sliko 110.

1. Odprite čelni pokrov 10.
2. Pomaknite zgornje rezilo 18 v položaj mirovanja (A).
3. Odstranite vijak na spodnjem rezilu 22 (B) in rezilo 22 snemite (C) (slika 111).
4. Potisnite novo rezilo 22 v držalo in ga trdno privijte.
5. Pomaknite zgornje rezilo 18 v delovni položaj in zaprite čelni pokrov 10.



Slika 110



Slika 111

Shranjevanje

Pozor:

Omrežni vtič zmeraj potegnite iz vtičnice, preden šivalni stroj shranite. Tako preprečite nehoteni zagon stroja in s tem tudi nevarnost poškodb in pregretja stroja!

Kadar stroja ne uporabljate, ga zmeraj prekrijte z zaščitnim prekrivalom. Tako ga boste zaščitili pred prahom. Stroj hranite na čistem in suhem mestu.

Stroj zmeraj prenašajte za razklopni ročaj.

Odstranitev



Stroja v nobenem primeru ne odvrzite v običajne gospodinjske odpadke. Za ta izdelek velja evropska direktiva 2002/96/EC.

Stroj oddajte pri podjetju, registriranem za predelavo odpadkov, ali pri svojem komunalnem podjetju za predelavo odpadkov.

Upoštevajte trenutno veljavne predpise. V primeru dvoma se obrnite na svoje podjetje za predelavo odpadkov.



Vso embalažo oddajte v reciklažo.

Olja za šivalni stroj nikakor ne odvrzite v običajne gospodinjske odpadke. Olja tudi ne odlijte v odtok. Olje oddajte pri podjetju, registriranem za predelavo odpadkov, ali pri svojem komunalnem podjetju za predelavo odpadkov.

Garancijski list

1. S tem garancijskim listom jamčimo Kompernass GmbH, da bo izdelek v garancijskem roku ob normalni in pravilni uporabi brezhibno deloval in se zavezuje, da bomo ob izpolnjenih spodaj navedenih pogojih odpravili morebitne pomanjkljivosti in okvare zaradi napak v materialu ali izdelavi oz. po svoji presoji izdelek zamenjali ali vrnili kupnino.
2. Garancijski rok za proizvod je 3 leta od dneva nabave.
3. Kupec je dolžan okvaro javiti pooblaščenemu servisu oz. se informirati o nadaljnjih postopkih na zgoraj navedeni telefonski številki. Svetujemo vam, da pred tem natančno preberete navodila o sestavi in uporabi izdelka.
4. Kupec je dolžan pooblaščenemu servisu predložiti garancijski list in račun, kot potrdilo in dokazilo o nakupu.
5. V primeru, da proizvod popravlja nepooblaščen servis ali oseba, kupec ne more uveljavljati zahtevkov iz te garancije.
6. Vzroki za okvaro oz. nedelovanje izdelka morajo biti lastnosti stvari same, in ne vzroki, ki so zunaj proizvajalčeve oz. prodajalčeve sfere. Kupec ne more uveljavljati zahtevkov iz te garancije, če se ni držal priloženih navodil za sestavo in uporabo izdelka ali, če je izdelek kakorkoli spremenjen ali nepravilno vzdrževan.
7. Jamčimo servisiranje in rezervne dele za dobo, ki je minimalno zahtevana s strani zakonodaje.
8. Obrabni deli oz. potrošni material so izvzeti iz garancije.
9. Vsi potrebni podatki za uveljavljanje garancije se nahajajo na dveh ločenih dokumentih (garancijski list, račun).

Prodajalec:

Lidl d.o.o.k.d., Žeje pri Komendi 100,
SI-1218 Komenda

 **Servis Slovenija**

Tel.: 080080917

E-Mail: kompernass@lidl.si

Proizvajalec

KOMPERNASS GMBH
BURGSTRASSE 21
44867 BOCHUM, GERMANY

www.kompernass.com

Odpravljanje napak

Problem	Vzrok	Odprava
Šivanke se lomijo.	• Šivanke so upognjene, tope ali pa imajo poškodovane konice.	• Vstavite nove šivanke.
	• Šivanke niso pravilno vstavljene.	• Šivanke pravilno vstavite v držalo.
	• Premočno ste vlekli za blago.	• Blago previdno vodite z obema rokama.
Nit se pretrga.	• Sukanec ni pravilno vdet.	• Sukanec pravilno vdenite.
	• Napetost niti je previsoka.	• Napetost niti zmanjšajte.
	• Šivanke niso pravilno vstavljene.	• Šivanke pravilno vstavite v držalo.
Vbodi se izpuščajo.	• Šivanke so upognjene, tope ali pa imajo poškodovane konice.	• Vstavite nove šivanke.
	• Šivanke niso pravilno vstavljene.	• Šivanke pravilno vstavite v držalo.
	• Sukanec ni pravilno vdet.	• Preverite potek posameznih niti.
Vbodi so neenakomerni.	• Napetost niti ni pravilna.	• Napetost niti popravite.
	• Nit se je zataknila.	• Preverite potek posameznih niti.
Šivi povzročajo gubanje blaga.	• Napetost niti je previsoka.	• Napetost niti ponovno nastavite.
	• Sukanec ni pravilno vdet.	• Sukanec pravilno vdenite.
	• Sukanec se je zataknil.	• Preverite potek posameznih niti.
	• Diferencialni pomik ni nastavljen.	• Diferencialni pomik pravilno nastavite.
Blago se ne odrezuje pravilno.	• Rezila so topa ali nepravilno vstavljena.	• Zamenjajte rezilo ali pa ga pravilno vstavite.
Robovi blaga se nabirajo.	• Preveč blaga za en šiv.	• Spremenite širino šivov.

Obsah	Strana
Účel použití	147
Bezpečnostní pokyny	147
Rozsah dodávky	148
Technické údaje	148
Popis přístroje	149
Uvedení horního nože do klidové polohy	149
Informace o jehlách	149
Násadec horního chapače	149
Otevření čelního krytu	150
Příprava	150
Připojení nožního pedálu	150
Ovládání rychlosti šití	150
Bezpečnostní spínač	150
Namontování nádoby na odpad	150
Vyjmutí jehly (jehel)	151
Vložení jehly (jehel)	151
Obsluha ručního kolečka	151
Nastavení držáku nití	151
Navlečení	152
Obecné pokyny pro navlékání nití	152
Navlékání nitě horního chapače (červená)	152
Navlékání nitě dolního chapače (žlutá)	154
Navlékání nitě pravé jehly (zelená)	155
Navlékání nitě levé jehly (modrá)	157
Zkušební šití	158
Výměna nití (navazování)	159
Nastavení délky stehu	159
Nastavení šířky stehu	159
... za použití pravé nebo levé jehly	159
... otočením voličem pro nastavení šířky stehu	160
Nastavení voliče šířky stehu	160
Seřízení přítlačného tlaku patky	160
Diferenciální podávání	161
Popis funkce	161
Nastavení nabíraného obnitkování overlock	161
Nastavení strečového obnitkování overlock	161
Šití volným ramenem	162

Uschovejte tento návod pro případné pozdější dotazy a předejte jej v případě přenechání přístroje třetím osobám zároveň s ním!

Overlock stehy	163
Válcové lemy	163
Lemování řetízkem a zkušební šití	164
Doporučená nastavení napětí nitě	164
2-nitný obnitkovací řetízkový steh (overlock)	165
2-nitný obnitkovací steh	166
3-nitný řetízkový steh (overlock)	167
3-nitný plochý steh	168
3-nitný obnitkovací řetízkový steh (overlock)	169
3-nitný zabezpečovací steh, ultraprůžný, imitovaný	170
4-nitný zabezpečovací steh, ultraprůžný, imitovaný	171
Válcové lemy	172
3-nitný válcový dutý lem	172
3-nitný obnitkovací válcový lem horního chapače	172
2-nitný válcový dutý lem	173
2-nitný obnitkovací válcový lem dolního chapače	173
Ploché ozdobné švy	174
Plochý šev jako montážní šev	174
Plochý šev jako ozdobný šev	175
Slepé lemy overlockem	175
Sámky	175
Šití rohů	176
Vnější rohy	176
Vnitřní rohy	176
Tipy a triky	177
Špendlení	177
Zajištění řetízku	177
Zpevnění švu	177
Lemování řetízkem	177
Údržba a čištění	178
Čištění a mazání	178
Výměna dolního nože	178
Úschova	179
Likvidace	179
Záruka a servis	179
Dovozce	179
Odstranění závad	180

ŠICÍ STROJ OVERLOCK

Účel použití

Šicí stroj Overlock je určen...

- k použití jako přenosný stroj,
- k olemování okrajů látky (řetízování) bytových textilií a...
- k výhradnímu použití v domácnosti.

Šicí stroj není určen...

- pro instalaci na pevném místě,
- ke zpracovávání jiných materiálů (např. kůže, stanoviny, plachtoviny a jiných podobně těžkých látek),
- k použití v podnikatelské a průmyslové oblasti.

Bezpečnostní pokyny

Při práci se šicím strojem může dojít ke zranění a k ohrožení života podobně jako s jiným elektrickým zařízením. Pro zabránění tohoto a pro bezpečnou práci:

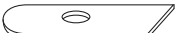


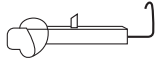
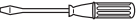




- Vždy, když od stroje odcházíte, vytáhněte síťovou zástrčku ze zásuvky. Tak zabráníte nebezpečí vzniku nehody v důsledku nezáměrného zapnutí stroje.
- Před provedením údržby na stroji vytáhněte nejdříve zástrčku ze sítě. Tak zabráníte ohrožení života v důsledku zásahu elektrickým proudem. LED nelze vyměnit.
- Síťovou zástrčku nevytahujte ze zásuvky za kabel. Při vytahování uchopte zástrčku, nikoliv kabel.
- Se šicím strojem pracujte vždy jen v suchých prostorách.
- Poškozené zástrčky nebo síťový kabel nechte ihned vyměnit autorizovanými odborníky nebo zákaznickým servisem - vyhněte se tím nebezpečí.
- Tento přístroj není určen k tomu, aby jej používaly osoby (včetně dětí), které mají omezené fyzické, senzorické nebo duševní schopnosti či nedostatek zkušeností a/nebo znalostí, ledaže by jej používaly pod bezpečnostním dohledem zodpovědné osoby nebo by od ní obdržely pokyny, jak přístroj používat.
- Děti by měly být pod dohledem, aby bylo zajištěno, že si s přístrojem nebudou hrát.
- Zařízení neprovozujte nikdy při blokování větracích otvorech. Z větracích otvorů stroje i nožního pedálu odstraňujte chlupy, prach a odpad z látek.
- Je-li poškozen přípojný kabel, který je spojen s nožním pedálem, musí být nahrazen výrobcem nebo jeho službou zákazníkům nebo autorizovanou osobou, aby se tak zabránilo nebezpečí.

Varování před poraněním a hmotnými škodami:

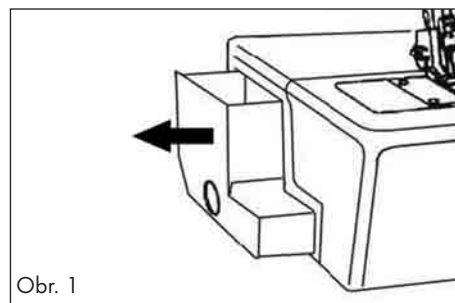
- Udržujte pořádek na svém pracovišti. Nepořádek na pracovišti může mít za následek nehody.
- Při práci si zajistěte dobré osvětlení!
- Nenoste žádné volné oblečení ani šperky, protože je mohou zachytit pohyblivé části. Pokud máte dlouhé vlasy, noste také síťku na vlasy.
- Vyhýbejte se nenormálnímu držení těla. Zajistěte bezpečné držení a rovnováhu za každých okolností.
- Pokud dojde při práci se zařízením z důvodu nedostatečné pozornosti k nehodě nebo nebyly dodrženy bezpečnostní pokyny v návodu, pak výrobce za takto vzniklé škody neručí.
- Nikdy nezakrývejte větrací otvory! Nebezpečí přehřátí!
- Uchovávejte olej do šicích strojů mimo dosah dětí.
- Při požítí nebo vniknutí oleje na šicí stroje do očí vyhledejte ihned lékaře.

Rozsah dodávky


Šicí stroj Overlock
Olej
Nádoba na odpad
Schránka na příslušenství
Návod k obsluze

náhradní nůž (dolní)	
2 jehly č. 1 1 4 jehly č. 14 (2 jsou už zasunuté do stroje)	
4 uzávěry cívek	
násadec horního chapače	
malý šroubovák Schlitzschraubendreher klein	
velký šroubovák	
kryt	
pinzeta	
šětec s integrovaným oddělovačem	

Příslušenství najdete v krabici s příslušenstvím na straně stroje (obr. 1).



Technické údaje

Počet nití	2, 3 nebo 4
Počet jehel	2 nebo 1
Rychlost šití	cca. 1200 ot/minutu
Šířka stehu	
vpravo:	3,0 mm - 4,5 mm
vlevo:	5,2 mm - 6,7 mm
Délka stehu	1 - 4 mm
Jehly	HA x 1 č. 11-14 nebo 130/705 č. 75-90
Příkon :	90 W
Jmenovité napětí:	220 - 240 V ~, 50Hz
Třída ochrany:	II 

Hladina hluku za normálních provozních podmínek je 78dB (A).

Nožní pedál

U tohoto šicího stroje používejte pouze spoludodaný nožní pedál:
- ELECTRONIC FDM Speed Controller
- Typ KD-2902

Popis přístroje

Na přední vyklápěcí straně:

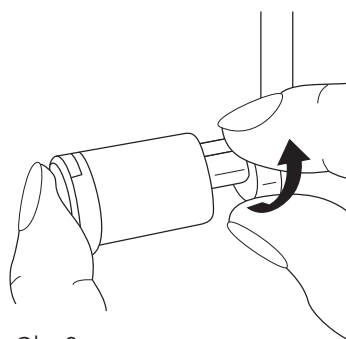
- 1 vodící držák nití
- 2 kolík cívky
- 3 centrování cívky
- 4 zvedací páka patky
- 5 nastavovací kolečko délky stehu
- 6 ruční kolečko
- 7 přípojka nožního pedálu/síťová přípojka
- 8 síťový spínač (přepínač On-/Off)
- 9 páka diferenciálního podávání
- 10 čelní kryt
- 11 opěrná deska palce šířky švu
- 12 volné rameno
- 13 stehová deska
- 14 volící kotouč tahu nitě (levá jehla)
- 15 volící kotouč tahu nitě (úravá jehla)
- 16 volící kotouč tahu nitě (horní chapač)
- 17 volící kotouč tahu nitě (dolní chapač)

Na zadní vyklápěcí straně:

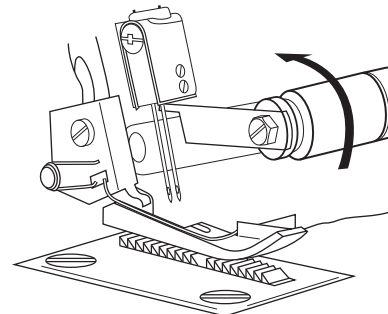
- 18 pohyblivý horní nůž (horní nůž)
- 19 horní chapač
- 20 dolní chapač
- 21 šicí patka
- 22 pevný dolní nůž
- 23 volič šířky švu
- 24 nastavovací kolečko šířky švu

Uvedení horního nože do klidové polohy

Pro určité typy švu nebo pro lehčí obsluhu nastavovacího kolečka šířky švu 24, uveďte horní nůž 18 do klidové polohy. Zatlačte k tomu horní nůž 18 do prava a trochu jej pootočte tak, aby dosedal napevno (obr. 2 a 3).



Obr. 2



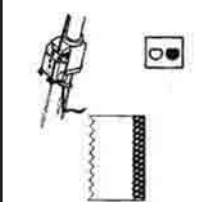
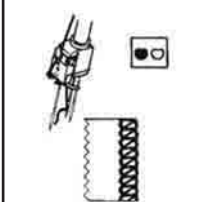
Obr. 3

Informace o jehlách

Pro tento šicí stroj používejte pouze běžné průmyslové jehly na šicí stroje s plochým dřikem. Toto vylučuje možnost obráceného nasazení jehly. Tyto jehly můžete zakoupit v obchodě s jehlami.

Do stroje můžete zasunout jehly o velikosti 11 a 14.

Vedle znázorněná tabulka Vám podá stručný přehled o rozdílech při použití jehly (podrobné informace naleznete v části "Nastavení šířky švu").

šířka stehu	3,5 mm	5,7 mm
použité jehly	pravá jehla	levá jehla
volič nastavení nití	zelená	modrá
		

Násadec horního chapače

U některých druhů stehů potřebujete násadec horního chapače. Kdy jej musíte

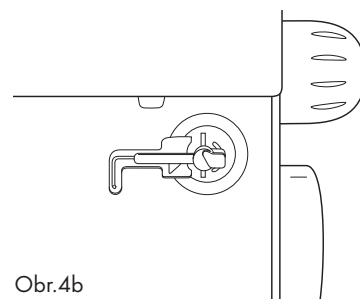
nastrčit, je popsáno u jednotlivých typů stehů.

Zastrčte malý drát ze zadu do očka horního chapače 19 a plastický čep na druhém konci do otvoru v horním chapači 19 (obr. 4a).

Násadec horního chapače můžete uchovávat v zástrčném místě vzadu za přední klapkou 10 (obr. 4b).



Obr.4a



Obr.4b

Otevření čelního krytu

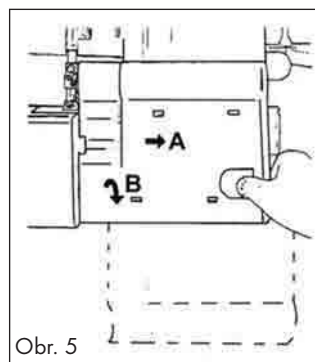
⚠ Pozor!

Šicí stroj vypínejte pouze hlavním vypínačem ⑧, když otevřete čelní kryt ⑩. Nebezpečí poranění!

- Posuňte čelní kryt ⑩ do prava (A) a přisuňte si jej k sobě (B) (obr. 5). Zadní čelní kryt ⑩ vidíte v prostoru chapačů.

ⓘ Upozornění:

Během šití musí být čelní kryt ⑩ zavřený!



Obr. 5

Příprava

Šicí stroj overlock postavte na stabilní, rovnou plochu. Dbejte při tom na dostatečné osvětlení na Vašem pracovišti.

Připojení nožního pedálu

- Zástrčku nožního pedálu zastrčte do přípojky nožního pedálu ⑦.
- Sířovou zástrčku zasuněte do sířové zásuvky.

Stroj zapněte stisknutím sířového vypínače ⑧.

⚠ Pozor!

Při opuštění stroje, nebo před údržbou, vždy vytáhněte sířovou zástrčku ze zásuvky. Nebezpečí poranění!

Ovládání rychlosti šití

Rychlost šití je řízena pomocí nožního pedálu. Rychlost šití lze změnit větším nebo menším tlakem na nožní pedál.

Bezpečnostní spínač

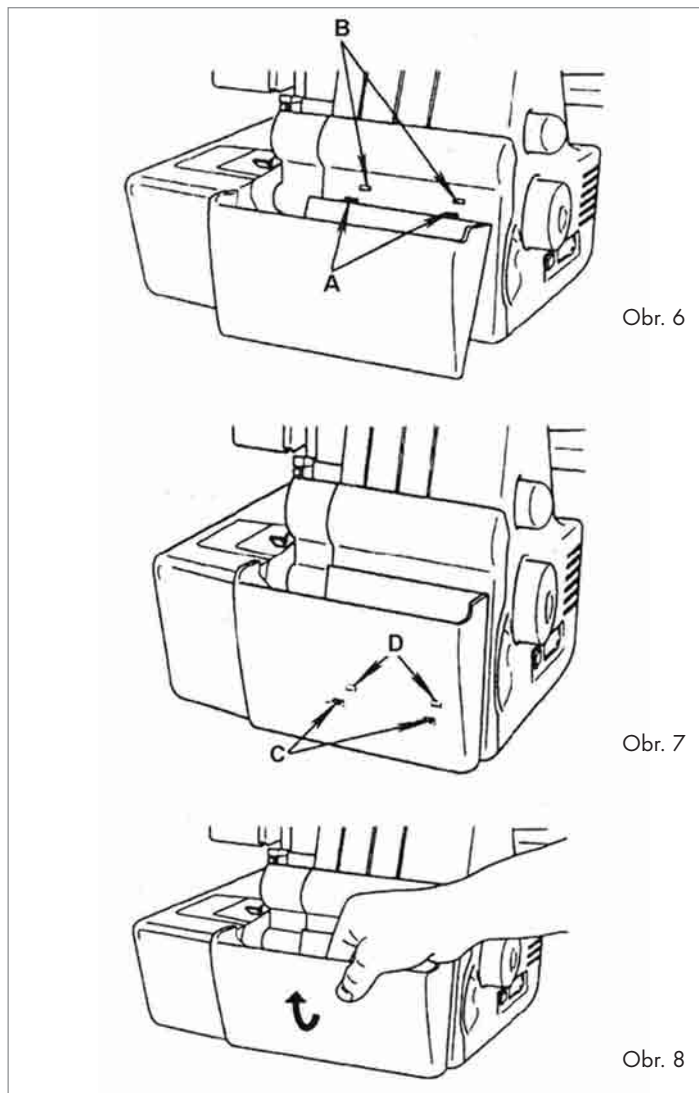
Tento stroj je vybaven mikro bezpečnostním spínačem. Šicí stroj nelze otevřít, je-li čelní kryt ⑩ otevřen. Než začnete se šitím, čelní kryt ⑩ zavřete.

Namontování nádoby na odpad

Do nádoby na odpad spadají při šití všechny odstřížky, takže Vaše pracoviště zůstane čisté.

- Posuňte nejdříve obě aretace (A) do záchytných otvorů (B) (obr. 6).
- Zaveďte poté obě aretace (C) do záchytných otvorů (D) (obr. 7).

- K opětovnému vyjmutí nádoby na odpad jej vytáhněte dopředu a trochu jej přitom nakloňte (obr. 8).



Obr. 6

Obr. 7

Obr. 8

Vyjmutí jehly (jehel)

⚠ Pozor!

Před výměnou jehel vytáhněte sířovou zástrčku ze zásuvky. Toto zabráňuje náhodnému spuštění stroje. Jinak hrozí nebezpečí zranění!

Tip

Výměna jehel je snadnější, když předtím sejmete víko volného ramena (obr. 9a)!

1. Otáčejte ručním kolečkem **6** proti sobě, dokud se jehly nenachází v nejhornější poloze (obr. 9b).
2. Malým šroubovákem uvolněte stavěcí šroub jehly tak, dokud se jehla neuvolní (obr. 10).
3. Vyjměte jehly.

Vložení jehly (jehel)

⚠ Pozor!

Před výměnou jehel vytáhněte sířovou zástrčku ze zásuvky. Toto zabráňuje náhodnému spuštění stroje. Jinak hrozí nebezpečí zranění!

1. Držte jehlu s ploškou dozadu.
2. Zasuňte jehlu do přídržení tak daleko, jak je možné.
3. Utáhněte stavěcí šroub jehly malým šroubovákem (obr. 10).

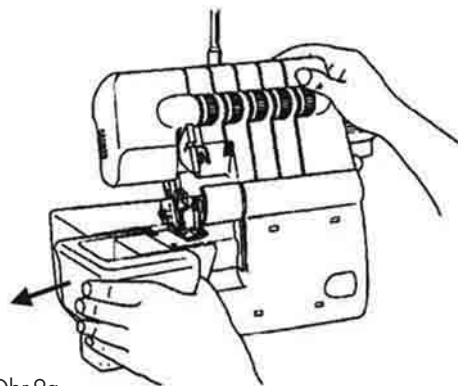
Obsluha ručního kolečka

i Upozornění:

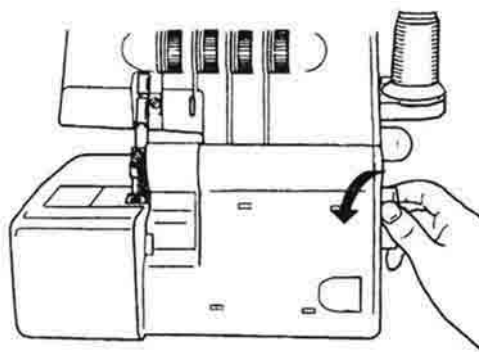
Ručním kolečkem **6** otáčejte vždy pouze proti sobě (obr. 9b).

Nastavení držáku nití

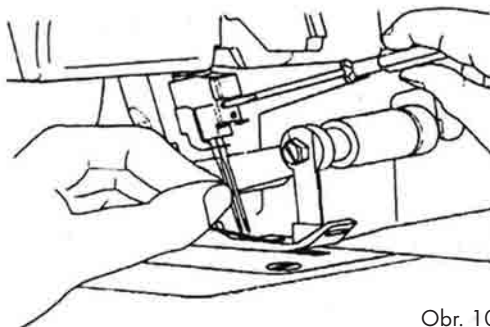
- Před navlečením vytáhněte celkem vodící držák nití **1** (obr. 11).
- Vodící držák nití **1** otočte tak, aby se vodiče nití nacházely přesně nad kolíky cívek **2**.
- Ve správné poloze zapadnou slyšitelně obě kloubové části vodícího držáku nití **1**.
- Nasuňte cívky na centrování cívek.
Pokud nepoužíváte průmyslové cívky, sejmete centrování cívek.
Nasuňte vždy jednu cívkovou čepičku na návín nitě (obr. 12).
Tím se tak nit přidrží při šití na svém místě.



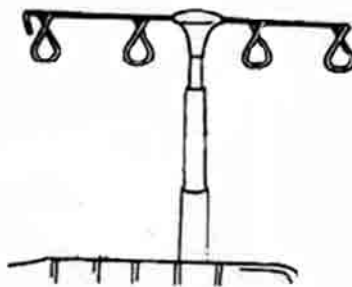
Obr.9a



Obr.9b



Obr. 10



Obr. 11



Obr. 12

Navlečení

ⓘ **Upozornění:**

Při dodání jsou již všechny 4 nitě navlečené. Můžete okamžitě začít se šít. Chcete-li nitě vyměnit a všechny 4 nitě jsou však ještě navlečené, pak postupujte tak, jak je popsáno v kapitole „Výměna nití (navazování)“. Pokud však musíte nitě navléct kompletně nanovo, postupujte tak, jak je popsáno v kapitole „Navlékání“.

Obecné pokyny pro navlékání nití

⚠ **Pozor!**

Před navlékáním nastavte hlavní vypínač ⓘ vždy na „O“ (vyp) a vytáhněte zástrčku ze zásuvky. Toto zabraňuje náhodnému spuštění přístroje. Jinak hrozí nebezpečí zranění!

Správné navlékání je důležité, aby byly stehy pravidelné a aby se netrhala niť.

Vzadu za čelním krytem ⓘ se nachází diagram s návodem k navlékání. Kromě toho jsou označena vedení nití různými barvami.

Ve schránce na příslušenství se nachází pinzeta, kterou se navlékání zjednoduší.

Navléká se v tomto pořadí (obr. 13/14):

1. První krok: Nit horního chapače (červená)
2. Druhý krok: Nit dolního chapače (žlutá)
3. Třetí krok: Nit pravé jehly (zelená)
4. Čtvrtý krok: Nit levé jehly (modrá)

ⓘ **Upozornění:**

Jsou-li navlečené všechny nitě a nit dolního chapače se pořád uvolňuje, postupujte následovně:

- Vyvlékněte obě nitě z jehel.
- Poté navlékněte dolní chapač.
- Poté opět navlékněte obě nitě do obou jehel.

Vždy navlékejte jehly jako poslední!

Pro zjednodušení jsou jednotlivé kroky na obrázcích očíslovány.

Navlékání nitě horního chapače (červená)

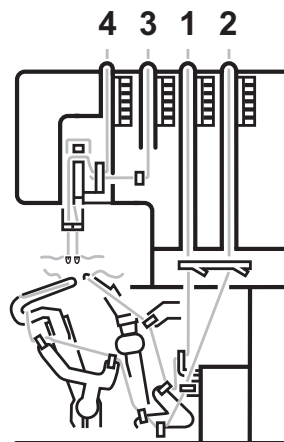
⚠ **Pozor!**

Před navlékáním nastavte hlavní vypínač ⓘ vždy na „O“ (vyp) a vytáhněte zástrčku ze zásuvky. Toto zabraňuje náhodnému spuštění přístroje. Jinak hrozí nebezpečí zranění!

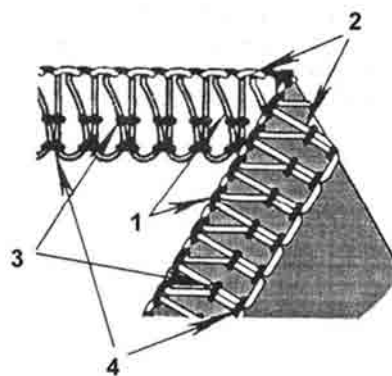
Vždy užívejte na pomoc následující obrázky.

Na obrázku 15 je znázorněn tah nitě horního chapače. Jednotlivá navlékací místa jsou očíslována a popsána níže podrobněji.

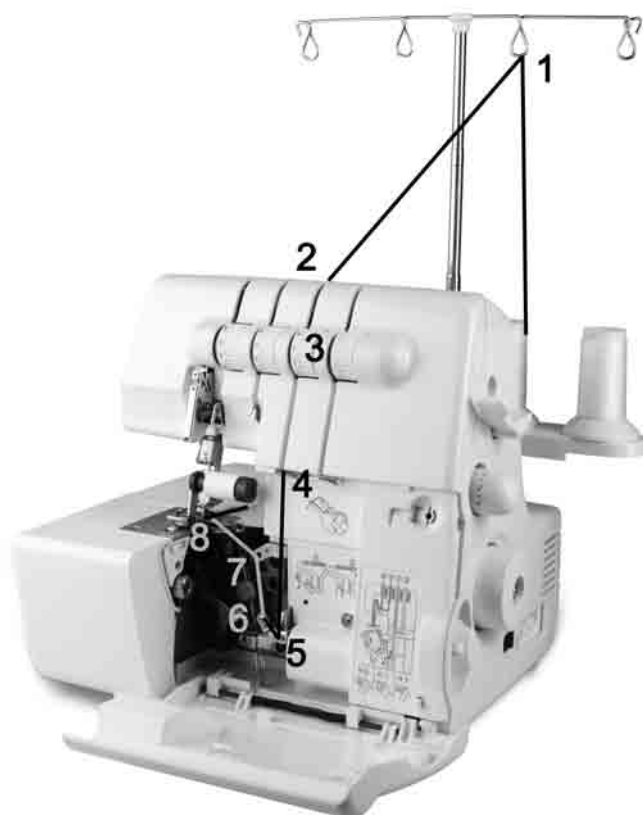
1. Otevřete čelní kryt ⓘ.
2. Provlékněte nit zezadu vodičem držáku nití ⓘ (1).



Obr. 13

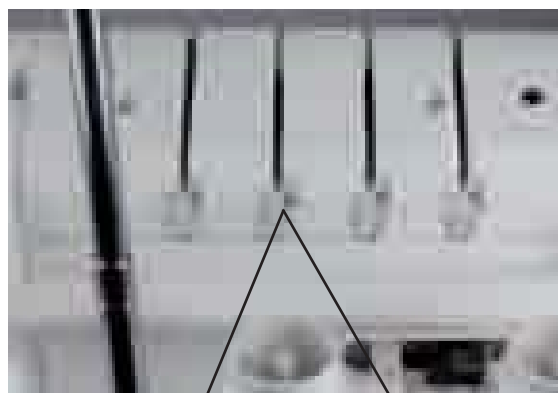


Obr. 14

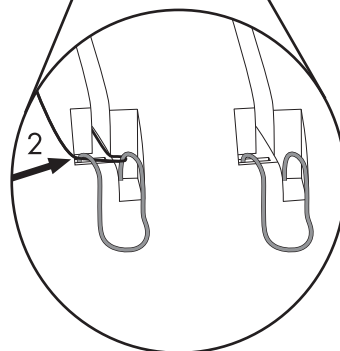


Obr. 15

3. Navlékněte nit do vedení nití protažením nitě dolů, dokud neproklouzne pod vedení nití (2) (obr. 16).



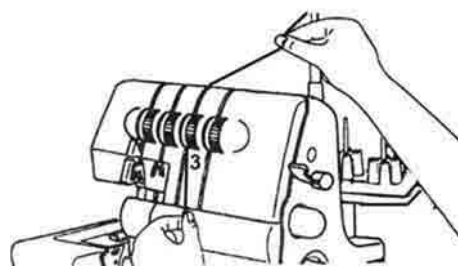
Obr. 16



4. Přidržte nit mezi prsty, zasuněte ji mezi kotoučky voliče napnutí nití 16 a stáhněte ji pak dolů (3) (obr. 17).

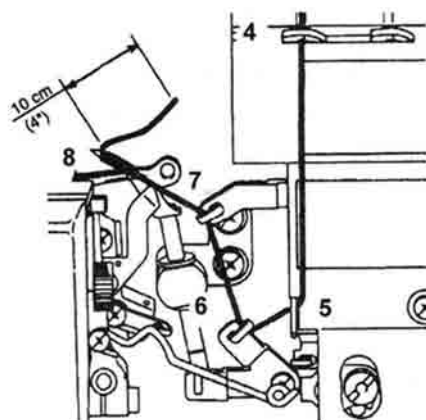
i Upozornění:

Nit musí správně doléhat mezi oba kotoučky voliče napětí nití 16.



Obr. 17

5. Provéďte nit v prostoru chapačů podle červeného označení (5 - 7) (obr. 18).
6. Provéďte nit otvorem horního chapače 19 odpředu dozadu (8).
7. Protáhejte cca. 10 cm nitě chapačem a položte jej dozadu na stehovou desku 13.



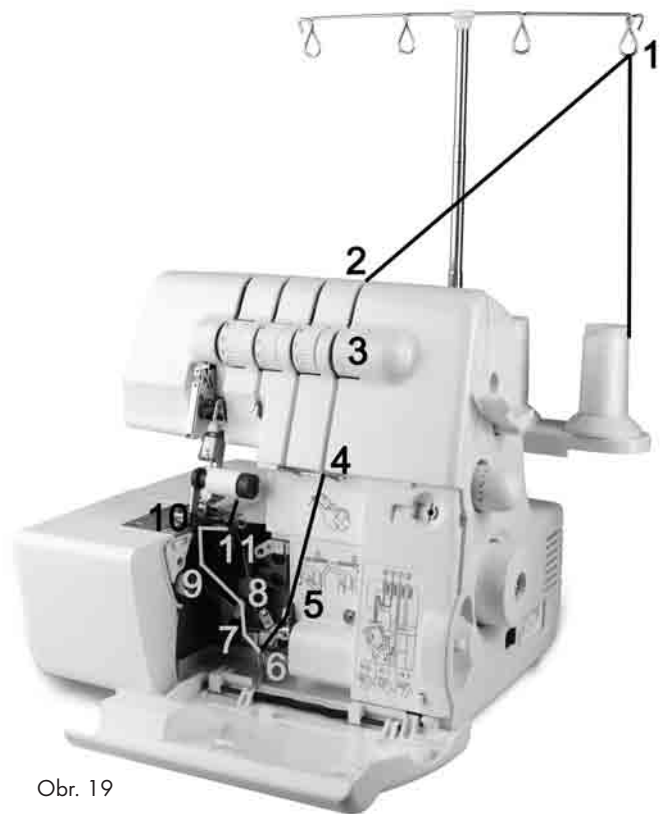
Obr. 18

Navlékání nitě dolního chapače (žlutá)

⚠ Pozor!

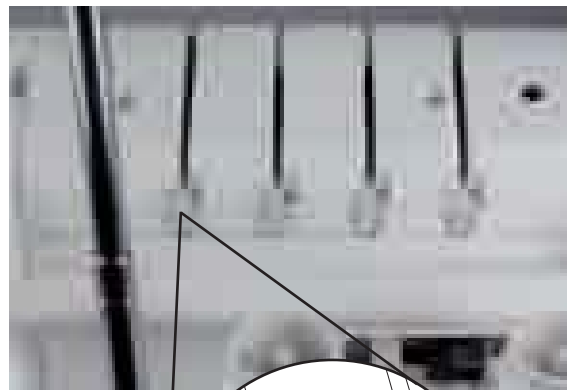
Před navlékáním nastavte hlavní vypínač **○** vždy na **ⓑ** (vyp) a vytáhněte zástrčku ze zásuvky. Toto zabraňuje náhodnému spuštění přístroje. Jinak hrozí nebezpečí zranění!

Na obrázku 19 je znázorněn tah nitě dolního chapače. Jednotlivá navlékací místa jsou očíslována a popsána níže podrobněji.



Obr. 19

1. Provlékněte nit zezadu dopředu vodičem držáku nití **①** (1).
2. Navlékněte nit do vedení nití protažením nitě dolů, dokud neproklouzne pod vedení nití (2) (obr. 20).



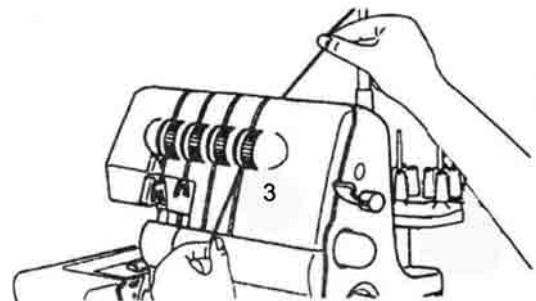
Obr. 20

3. Přidržte nit mezi prsty, zasuňte ji mezi kotoučky voliče napnutí nití **⑰** a stáhněte ji pak dolů (3) (obr. 21).

ⓘ Upozornění:

Nití musí správně doléhat mezi oba kotoučky voliče napětí nití **⑰**.

4. Otáčejte ručním kolečkem **⑥** proti sobě, dokud se dolní chapač **⑳** úplně nevychýlí do prava.



Obr. 21

5. Provléčte nit v prostoru chapačů podle žlutého označení (4 - 8) (obr. 22).

6. Podržte nit cca. 4 cm pinzetou od vedení nití (obr. 23).

7. Provléčte ji nyní zleva pinzetou zlehka pod vedení nití.

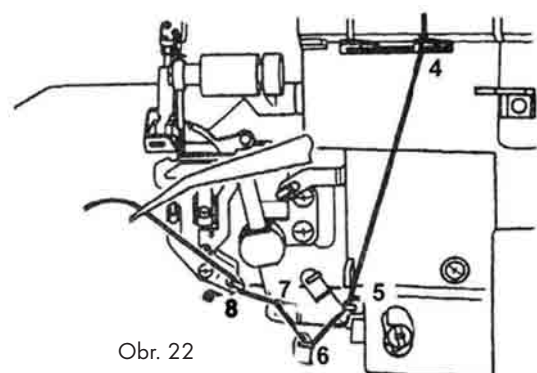
8. Táhněte nit směrem nahoru do vedení nití (9).

9. Táhněte nit dozadu a provléčte ji horním koncem dolního chapače ⑳ (10A) (obr. 23).

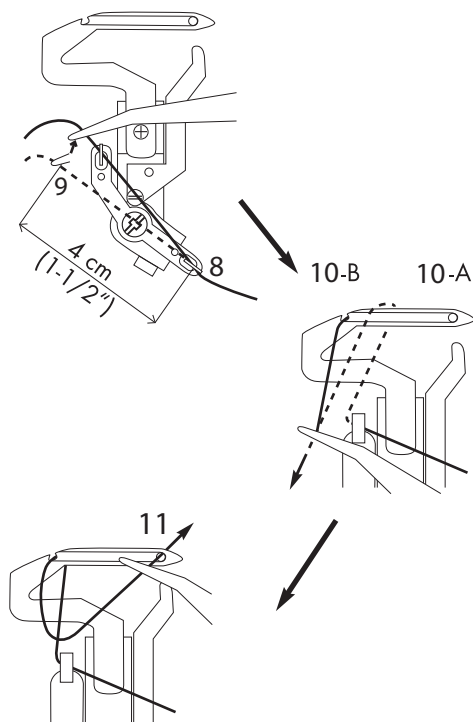
10. Poté táhněte nit opatrně dolů tak, aby nit vklouzla do drážky chapače (10B) (obr. 23). Použijte k tomuto kroku také zobrazení, které je uvedeno na šicím stroji!

11. Provlékněte nit okem chapače (11). Nit by měla být umístěna v drážce dolního chapače ⑳ (obr. 23).

12. Vytáhněte cca. 10 cm nitě chapačem a položte ji **přes** horní chapač ㉑ a stehovou desku ㉒ dozadu.



Obr. 22



Obr. 23

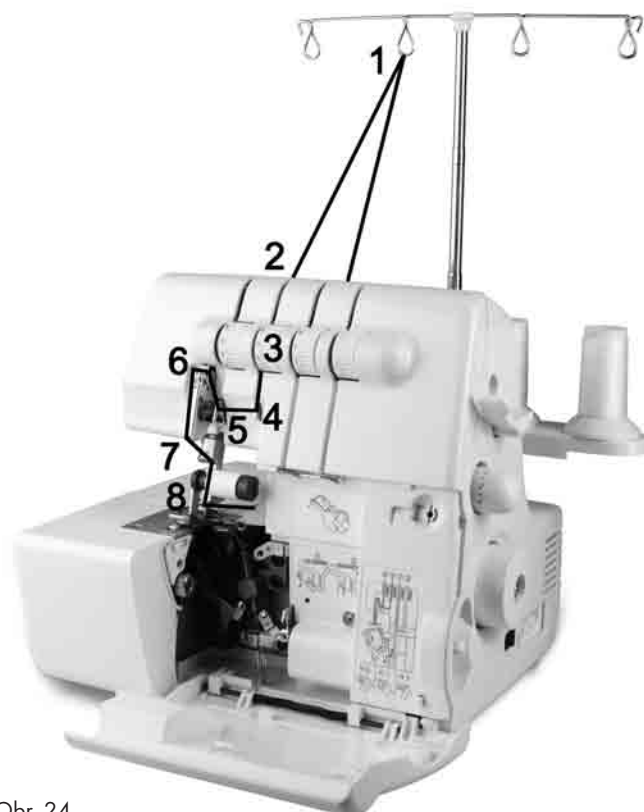
Navlékání nitě pravé jehly (zelená)

⚠ **Pozor!**

Před navlékáním nastavte hlavní vypínač ⑧ vždy na „O“ (vyp) a vytáhněte zástrčku ze zásuvky. Toto zabraňuje náhodnému spuštění přístroje. Jinak hrozí nebezpečí zranění!

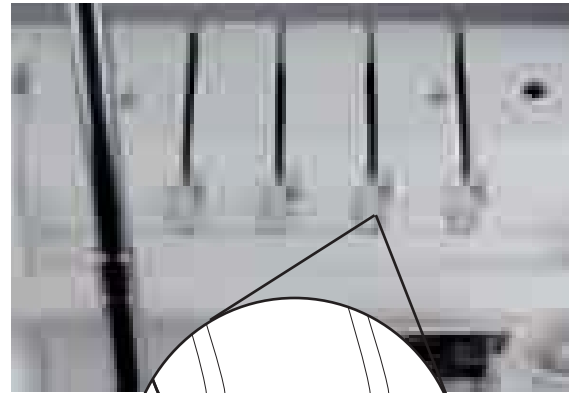
Na obrázku 24 je znázorněn tah nitě pravé jehly. Jednotlivá navlékací místa jsou očíslována a popsána níže podrobněji.

1. Provlékněte nit zezadu dopředu vodičem držáku nití ① (1).



Obr. 24

2. Navlékněte nit do vedení nití protažením nitě dolů, dokud neproklouzne pod vedení nití (2) (obr. 25).

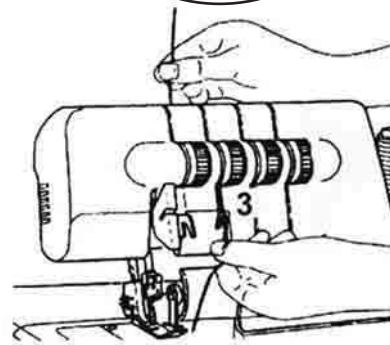


Obr. 25

3. Přidržte nit mezi prsty, zasuňte ji mezi kotoučky voliče napnutí nití 15 a stáhněte ji pak dolů (3) (obr. 26).

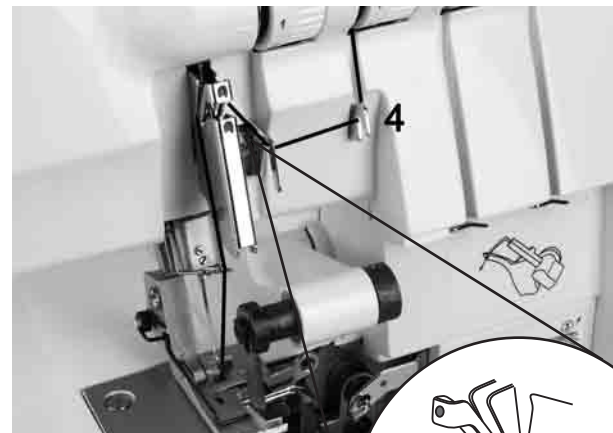
ⓘ Upozornění:

Nit musí správně doléhat mezi oba kotoučky voliče napětí nití 15.



Obr. 26

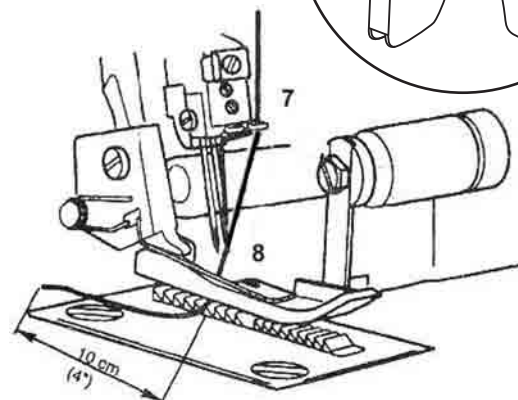
4. Provléčte nit v prostoru chapačů podle zeleného označení (4-7) (obr. 27/28).



Obr. 27

5. Provlékněte nit očkem pravé jehly (8) (obr. 28).

6. Položte nit dozadu pod přitlačnou patku 21.



Obr. 28

Navlékání nitě levé jehly (modrá)

⚠️ Pozor!

Před navlékáním nastavte hlavní vypínač ⑧ vždy na „O“ (vyp) a vytáhněte zástrčku ze zásuvky. Toto zabraňuje náhodnému spuštění přístroje. Jinak hrozí nebezpečí zranění!

Na obrázku 29 je znázorněn tah nitě levé jehly. Jednotlivá navlékací místa jsou očíslována a popsána níže podrobněji.

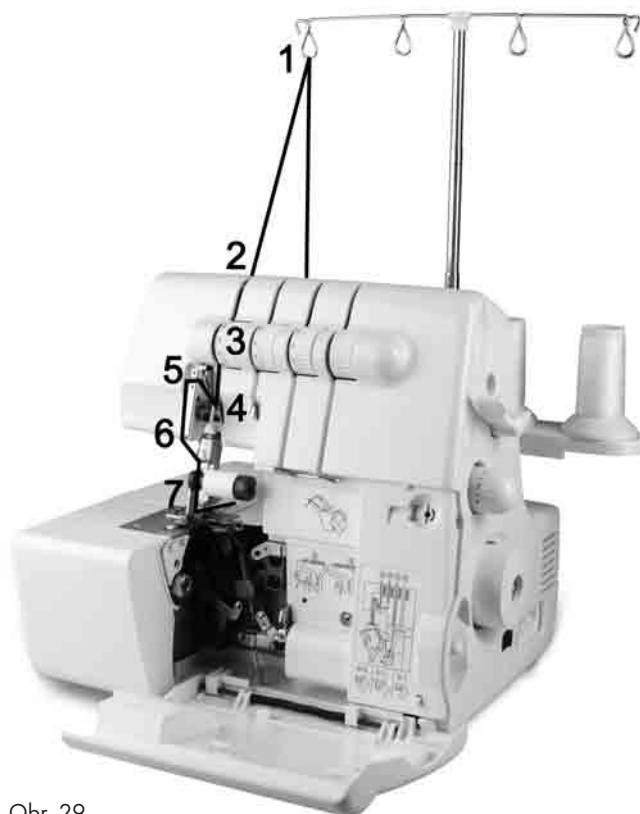
1. Provlékněte nit zezadu dopředu vodičem držáku nití ① (1).

2. Navlékněte nit do vedení nití protažením nitě dolů, dokud neproklouzne pod vedení nití (2) (obr. 30).

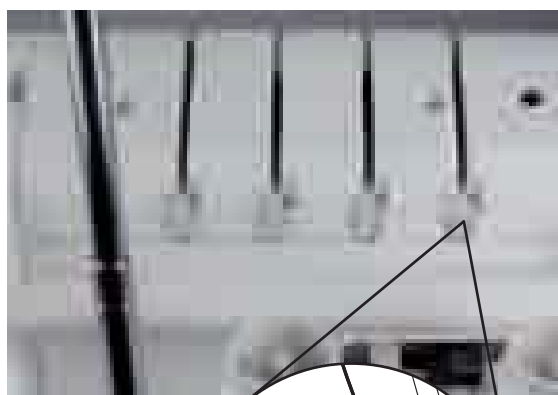
3. Přidržte nit mezi prsty, zasuněte ji mezi kotoučky voliče napnutí nití ⑭ a stáhněte ji pak dolů (3) (obr. 31).

ⓘ Upozornění:

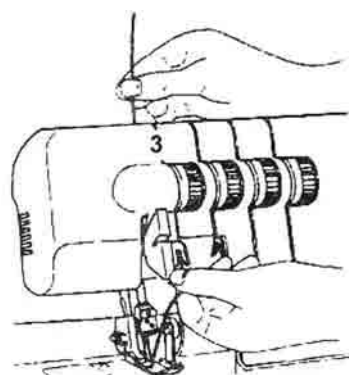
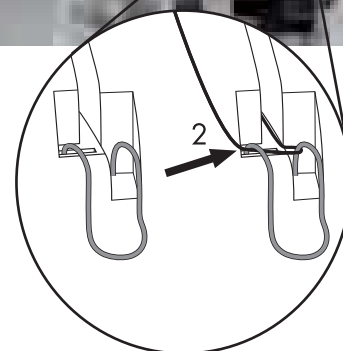
Nit musí správně doléhat mezi oba kotoučky voliče napětí nití ⑭.



Obr. 29

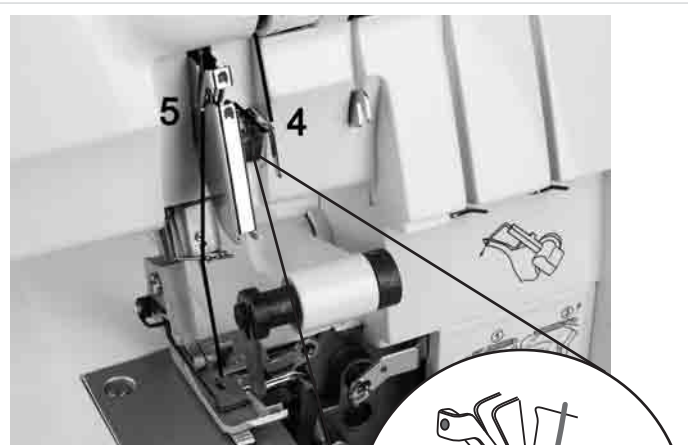


Obr. 30



Obr. 31

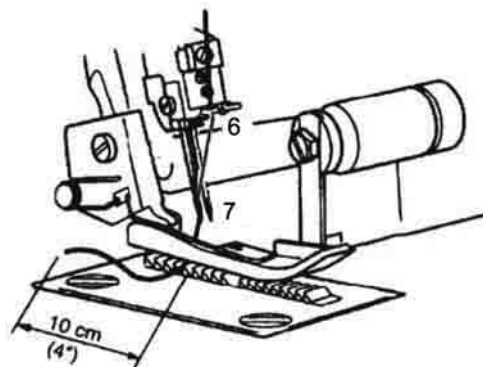
4. Provléčte nit v prostoru chapačů podle modrého označení (4 - 6) (obr. 32/33).



Obr. 32

5. Provlékněte nit očkem levé jehly (7) (obr. 33).

6. Položte nit dozadu pod přítlačnou patku ②.



Obr. 33

Zkušební šití

Pokud se nit navléká poprvé nebo se musí opět navléct po její přetržení, postupujte následovně:

Nadzvedněte šicí patku ②.

Přidržte konce nitě mezi prsty levé ruky, otáčejte ručním kolečkem ⑥ pomalu dvakrát-nebo třikrát proti sobě a nit opět zkontrolujte.

Položte látku ke zkušebnímu šití pod šicí patku ② a začněte pomalu šít. Tkanina je přiváděna automaticky.

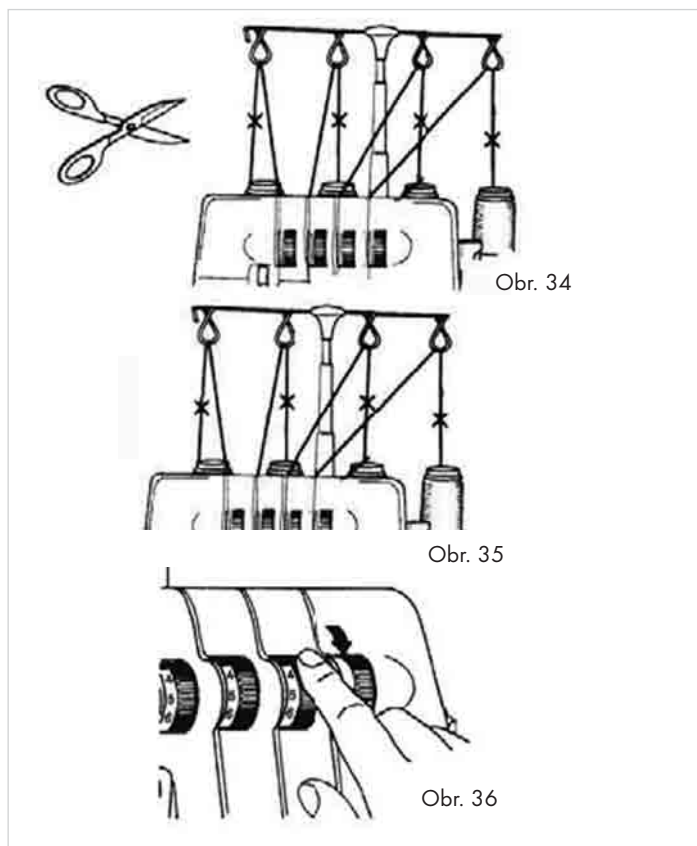
Po ukončené práci šijte dál, dokud se nevytvoří na konci látky cca. 5 cm (2") dlouhý řetízek.

Nůžkami odstříhnete nit.

Výměna nití (navazování)

Dle následujícího postupu je výměna nitě celkem jednoduchá:

1. Odstříhnete nit nad cívkou ❷ (obr. 34) a nasadíte na kolík cívky nový návín přize ❷.
2. Zauzlujete konce staré nitě s koncem nové nitě (obr. 35).
3. Nastavte volič napnutí nitě ❶/❷/❸/❹ na „0“ (obr. 36) a nadzvedněte přídržovací patku ❶.
4. Tahejte na druhém konci za nit, dokud se uzlíky neprojdou přídržovací patkou ❶.
5. Při navlékání do jehel tahejte za druhé konce, dokud uzlíky nejsou v očkách jehel a odstříhnete nit na levé a pravé straně uzlíku. Poté opět nit navlečte.



Nastavení délky stehu

Délku stehu lze nastavit v krocích od 1,0 až do 4,0 mm. Většina prací s overlockem se provádí s délkou stehu 2,5 – 3,5 mm.

Pro nastavení délky stehu otáčejte nastavovacím kolečkem ❶ (obr. 37):

- Pro většinu šicích prací se doporučuje délka stehu 3 mm.
- Pro opracování těžkých tkanin se doporučuje délka stehu 4 mm.
- Pro opracování lehkých tkanin se doporučuje délka stehu 2 mm.

Tímto nastavením získáte správné švy a tkanina se nezvlíní.



Nastavení šířky stehu

Šířku stehů lze určit změnou pozice jehly a pomocí voliče šíře stehu ❶.

... za použití pravé nebo levé jehly

Šíře stehu lze také určit použitím levé nebo pravé jehly.

- při použití pouze levé jehly: 5,7 mm
- při použití pouze pravé jehly: 3,5 mm

... otočením voličem pro nastavení šířky stehu

Voličem šíře stehu 24 lze nastavit šířku stehu pod níže uvedené rozsahy.

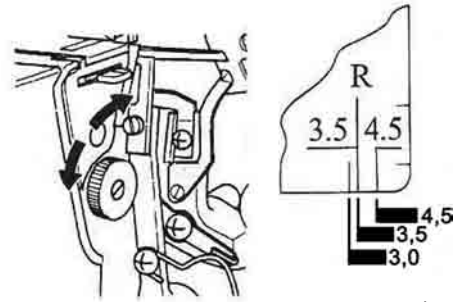
- při použití pouze levé jehly: 5,2 - 6,7 mm
- při použití pouze pravé jehly: 3,0 - 4,5 mm

Nastavení voliče šířky stehu

⚠ **Pozor!**

Před nastavením uveďte na voliči šířky stehu 24 hlavní vypínač 8 vždy do polohy „O“ (vyp). To zabraňuje nezamýšlenému spuštění přístroje a tím i zraněním!

- Otevřením čelního krytu 10 se usnadní nastavení šířky stehu.
- Otočte volič šířky stehu 24 na požadovanou šířku stehu (obr. 38). Řiďte se přitom podle stupnice na stehové desce 13 (obr. 39).



Obr. 38

Obr. 39

Seřízení přítlačného tlaku patky

Při dodání je přítlačný tlak patky nastaven výrobcem na šití středně těžkých tkanin.

Chcete-li používat těžší nebo lehčí tkaniny, nastavte tlak přítlačné patky následujícím způsobem:

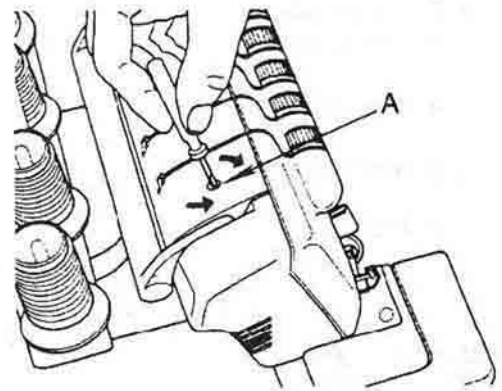
- Pro lehké tkaniny musíte tlak snížit.
- Pro těžké tkaniny musíte tlak zvýšit.

Strčte malý šroubovák do otvoru na horní straně šicího stroje (obr. 40). Zde se nachází šroub pro nastavení tlaku (A). Ubezpečte se, že šroubovák zapadá do drážky šroubu pro nastavení tlaku (B) (obr. 41).

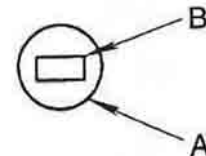
- Pokud chcete zvýšit tlak, otáčejte šroubovákem směrem „+“.
- Pokud chcete snížit tlak, otáčejte šroubovákem směrem „-“.

i **Upozornění:**

Pro opětovné nastavení standardně nastaveného přítlačného tlaku patky ze závodu, otáčejte šroubem pro nastavení tlaku co nejvíc proti směru hodinových ručiček (-). Poté otočte regulačním šroubem o 6 otáček ve směru hodinových ručiček (+). Nyní je opět nastaven standardní přítlačný tlak patky.



Obr. 40



Obr. 41

Diferenciální podávání

Popis funkce

Šicí stroj má dvě sady posuvových ozubených tyčí, jednu vpředu a jednu vzadu. Tyto obě sady se pohybují nezávisle na sobě. Diferenciálním podáváním se mohou obě sady ozubnice pohybovat různými rychlostmi.

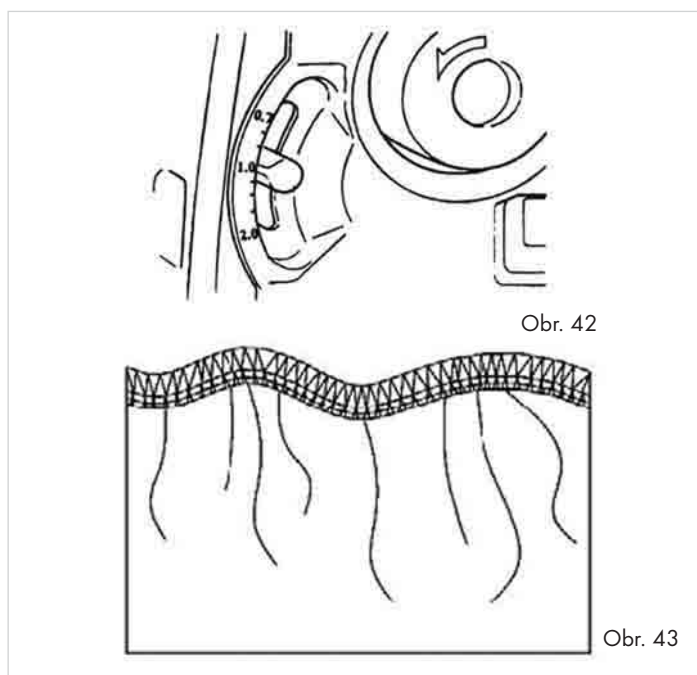
Tím lze látku napnout nebo nařasit, podle toho, která podávací diference je právě nastavená mezi předními a zadními posuvovými ozubnicemi.

Pomocí diferenciálního podávání lze dosáhnout při šití zajímavé efekty, jako např. obnitkování overlockem strečovacích tkanin a šikmo střížených látek (obr. 43).

i Upozornění:

Pokud je páka diferenciálního podávání **9** na „1.0“, odpovídá toto poměru diferenciálního podávání 1:1. Obě posuvové ozubnice se pohybují stejně rychle (obr. 42).

Páku diferenciálního podávání **9** lze nastavit v rozsahu od 1:0,7 do 1:2,0.



Nastavení nabíraného obnitkování overlock

Nabírané obnitkování overlockem se nejlépe hodí na řasení rukávů, zadních živůtků, lemů sukní apod. zhotovených z pružných materiálů, jako jsou např. úplety a jersey. Páka by se měla namontovat před sešitím jednotlivých dílů.

- Páku diferenciálního podávání **9** nastavte na vyšší hodnotu než 1,0 (obr. 44). Přesné nastavení závisí na materiálu, který se má zpracovat a na požadovaném nařasení. K otestování nastavení udělejte vždy zkušební steh.

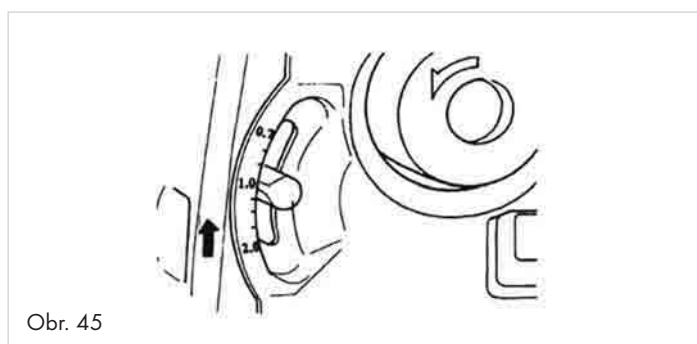
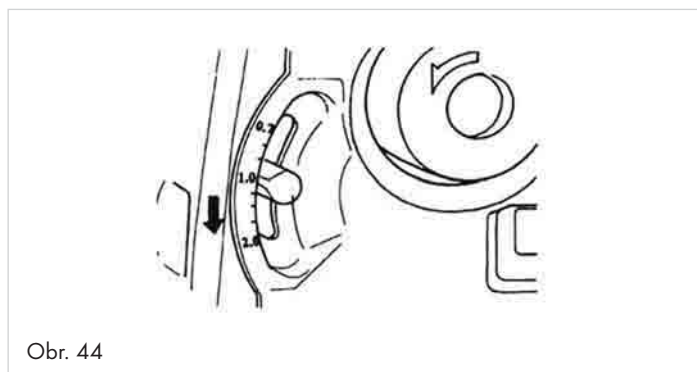
Nastavení strečového obnitkování overlock

Strečový steh overlockem je ideální na šití zvlněných efektů a ozdobných okrajů, rukávů a lemů sukní, atd.. u měkkých, strečových tkaninách a úpletech.

- Páku diferenciálního podávání **9** nastavte na nižší hodnotu než 1,0 (obr. 45). Přesné nastavení závisí na materiálu a tloušťce požadovaného "efektu zvlnění". K otestování nastavení udělejte vždy zkušební steh.
- Přidržte šev lehce před a za přítlačnou patkou **21** pro udržení napnutí látky.

i Upozornění:

Pokud jste na stavěcím kolečku pro délku stehu **5** nastavili hodnotu „3“ nebo vyšší, se toto nastavení vrátí automaticky zpět na „3“, když nastavíte páku diferenciálního podávání **9** na 2.0.



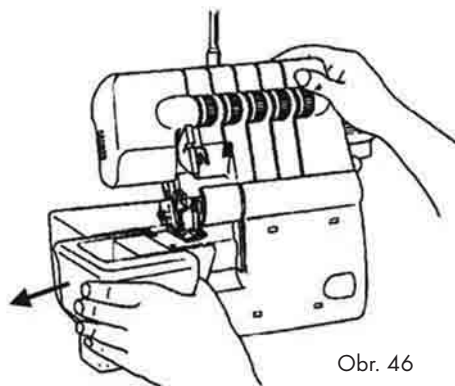
Šití volným ramenem

Pro opracování textilií trubkového tvaru, jako například rukávy nebo kalhoty, můžete sejmout víko volného ramena.

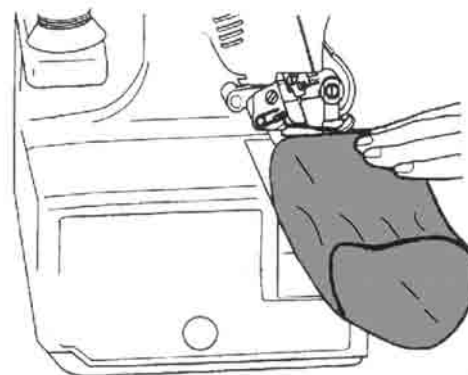
- V případě, že je namontována, sejměte ze šicího stroje nádobu na odpad.
- Posuňte víko volného ramena doleva a sejměte jej (obr. 46).

- Nyní můžete převléknout látku přes volné rameno 12 a tuto opracovat (obr. 47).

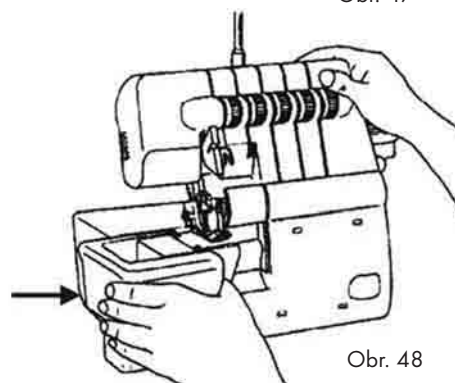
- Pro opětovné nasazení víka volného ramena, jej posuňte tak daleko na volné rameno 12, dokud nezapadne a nesedí pevně (obr. 48).



Obr. 46



Obr. 47



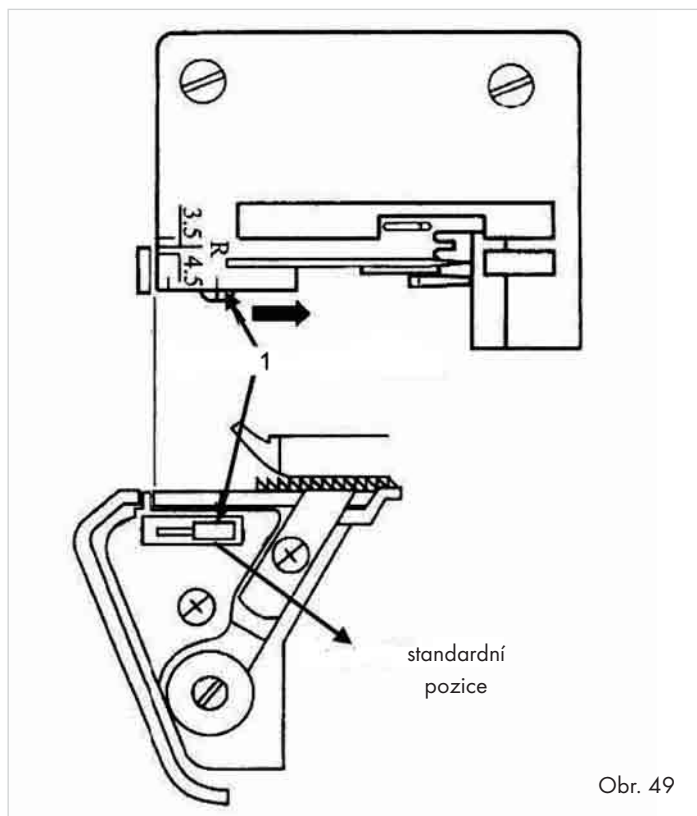
Obr. 48

Overlock stehy

- Otevřete čelní kryt ⑩.
- Posuňte volič šíře stehu ②③ na „S“, tím se posune dopředu palec šíře stehu (1)(obr. 49).

ⓘ **Upozornění:**

Volič šíře stehu ②③ se musí posunout až na doraz. Jinak jsou švy nečisté.

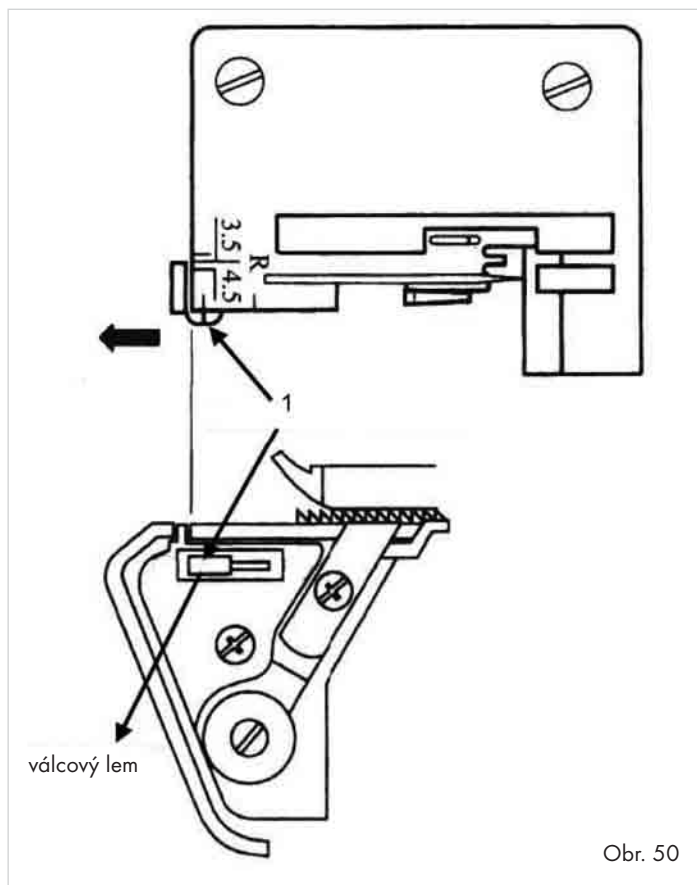


Válcové lemy

- Otevřete přední kryt ⑩.
- Posuňte volič šíře stehu ②③ na „R“, tím se palec šíře stehu (1) zasune zpět (obr. 50).

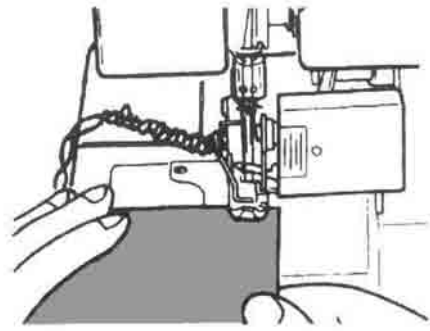
ⓘ **Upozornění:**

Volič šíře stehu ②③ se musí posunout až na doraz, jinak jsou švy nečisté.

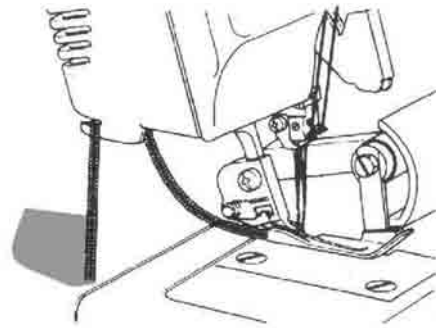


Lemování řetízem a zkušební šití

- Položte všechny nitě pod přitlačnou patkou ④ dozadu, lehce doleva, nad stehovou desku ⑬.
- Uchopte nitě a lehce je napněte.
- Otočte ručním kolečkem ⑥ 2 až 3 krát proti sobě pro tvorbu řetízku.
- Spusťte přitlačovací patku ④ na páce přitlačovací patky ④.
- Přidržíte vytvořený řetízek a opatrně stlačte nožní pedál, dokud není řetízek dlouhý cca. 5 - 7,5 cm.
- Položte látku zepředu pod přitlačovací patku ④ a ušijte zkušební šev (obr. 51). V žádném případě netahajte při šití za látku, protože tak by mohl způsobit ohnutí jehel nebo dokonce jejich zlomení.
- Po ukončení zkušebního švu pokračujte v šití při spuštěné patce a vytvořte cca. 15 - 20 cm řetízku.
- Odstřihněte řetízek pomocí střížného nože vzadu na šicím stroji (obr. 52).



Obr. 51



Obr. 52

Doporučená nastavení napětí nitě

ⓘ **Upozornění:**

Všechny údaje k nastavení napětí nití pro různé druhy nití jsou pouze orientačními hodnotami. Napětí je vždy závislé na druhu a síle šicího materiálu, velikosti jehly a na síle, druhu a materiálu nitě.

Proto je bezpodmínečně potřebné, provést zkušební šití. Pouze tak můžete vidět, zda jsou správná nastavení napětí nitě, nebo zda se musí ještě změnit.

2-nitný obnitkovací řetízkový steh (overlock)

Vzor tohoto stehu je znázorněn na obrázku 53.

Tento steh jehlou a 2 nitěmi se používá pro začátek okrajů při lehkých nebo strečových tkaninách. Změnou polohy jehly se získá užší nebo širší řetízkový steh.

Nastavte volič napětí nitě **14** **15** **16** **17** na vhodnou hodnotu (viz tabulku) a ušijte zkušební šev na použitém materiálu.

Pro tento typ stehu nastrčte do horního chapače **19** násadec horního chapače.

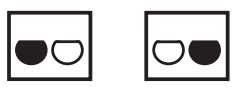
Tkanina	Napnutí nití			
	modrá	zelená	červená	žlutá
lehká tkanina	2,0	-	Vložení násadce horního chapače	0
středně těžká tkanina	2,5	-	Vložení násadce horního chapače	0
těžká tkanina	3,5	-	Vložení násadce horního chapače	0,5

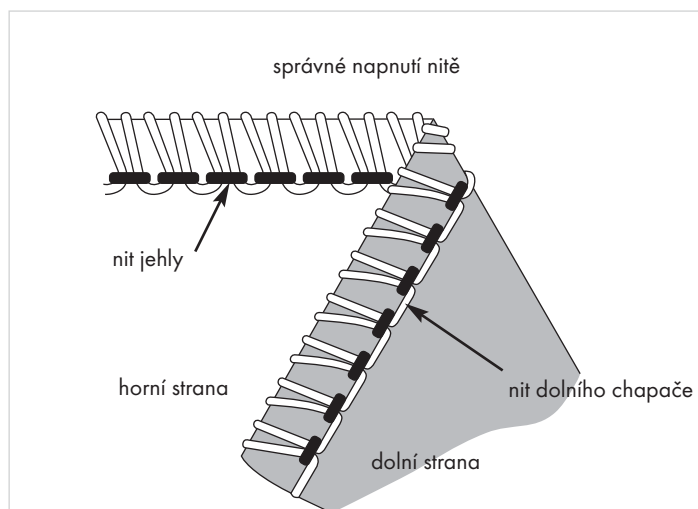
Tkanina	Napnutí nití			
	modrá	zelená	červená	žlutá
lehká tkanina	-	1,5	Vložení násadce horního chapače	0,5
středně těžká tkanina	-	1,5	Vložení násadce horního chapače	0,5
těžká tkanina	-	3,0	Vložení násadce horního chapače	1,5

Pokud se nit dolního chapače ukazuje jako příliš pevná nebo nit jehly je příliš volná (obr. 54):

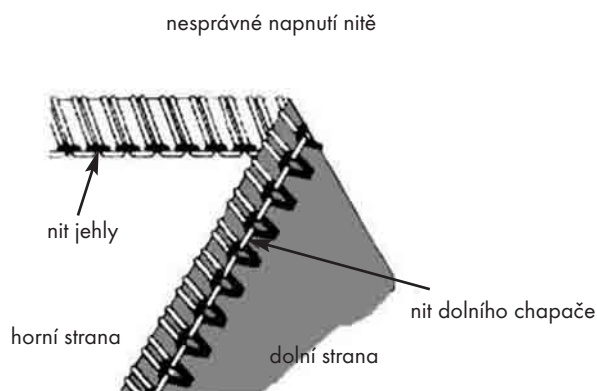
- otočte voličem napětí nitě dolního chapače **17** (žlutá) na nižší hodnotu, nebo...
- otočte voličem napětí nitě jehly (modrá **14** nebo zelená **15**) na vyšší hodnotu.

Jeví-li se nit dolního chapače příliš volná (obr. 55), otočte voličem napětí nitě dolního chapače **17** (žlutá) na vyšší hodnotu.

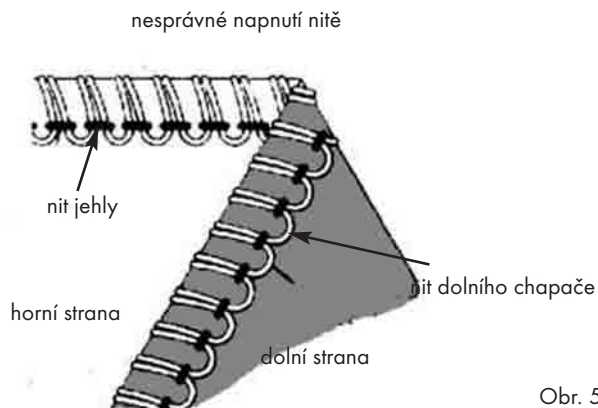
poloha jehly	
volič délky stehu	S
délka stehu	2 - 4
násadec horního chapače	nasadit



Obr. 53



Obr. 54



Obr. 55

2-nitný obnitkovací steh


Vzor tohoto stehu je znázorněn na obrázku 56.

Tento steh jehlou a 2 nitěmi se používá pro začistění normálních tkanin obnitkovacím stehem. Je také ideální pro ploché stehy (kapovací nebo čelní stehy) a slepý lem.

Změnou polohy jehly se získá užší nebo širší obnitkovací steh.

Nastavte volič napětí nitě 14 15 16 17 na vhodnou hodnotu (viz tabulku) a ušijte zkušební šev na použitém materiálu.

Pro tento typ stehu nastrčte do horního chapače 19 násadec horního chapače.

poloha jehly	
volič délky stehu	S
délka stehu	2 - 4
násadec horního chapače	nasadit

Tkanina	Napnutí nití			
	modrá	zelená	červená	žlutá
lehká tkanina	0,5	-	Vložení násadce horního chapače	1,0
středně těžká tkanina	0,5	-	Vložení násadce horního chapače	1,5
těžká látka	1,0	-	Vložení násadce horního chapače	1,5

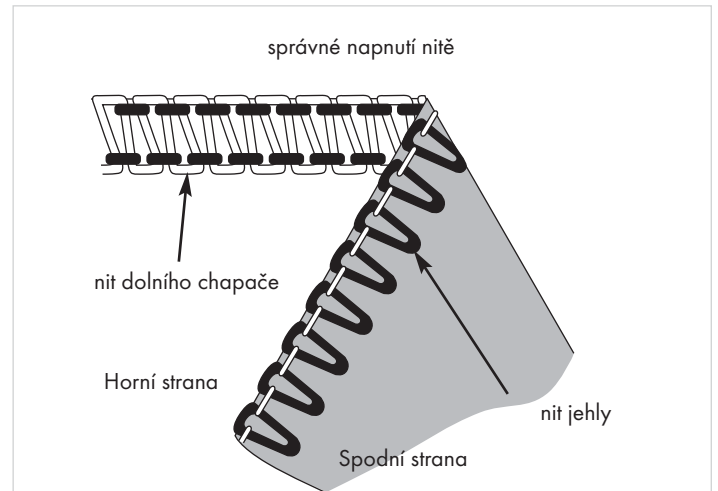
Tkanina	Napnutí nití			
	modrá	zelená	červená	žlutá
lehká tkanina	-	1,0	Vložení násadce horního chapače	3,0
středně těžká tkanina	-	1,5	Vložení násadce horního chapače	3,5
těžká látka	-	1,5	Vložení násadce horního chapače	3,5

Pokud leží nit dolního chapače na spodní straně látky (obr. 57):

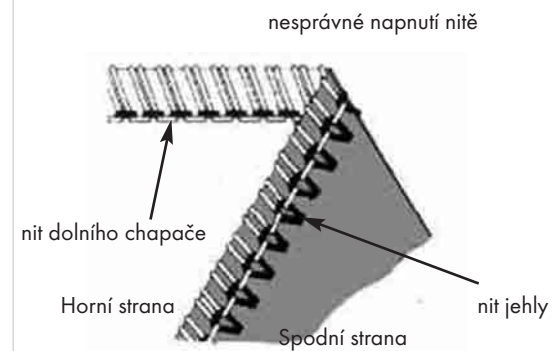
- otočte voličem napětí nitě dolního chapače 17 (žlutá) na vyšší hodnotu, nebo...
- otočte voličem napětí nitě jehly (modrá 14 nebo zelená 15) na nižší hodnotu.

Pokud je nit jehly příliš volná (obr. 58):

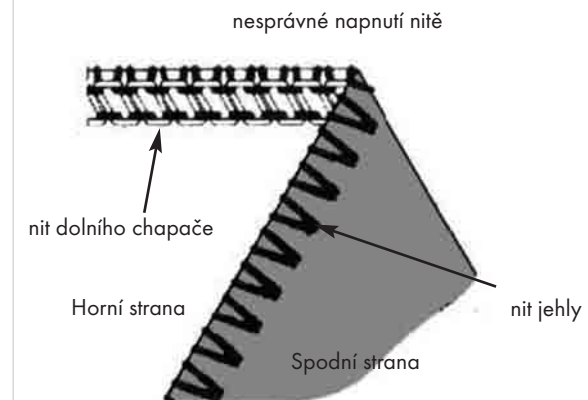
- otočte voličem napětí nitě jehly (modrá 14 nebo zelená 15) na vyšší hodnotu.
- otočte voličem napětí nitě dolního chapače 17 (žlutá) na nižší hodnotu.



Obr. 56



Obr. 57



Obr. 58


3-nitný řetízkový steh (overlock)

Vzor tohoto stehu je znázorněn na obrázku 59.

Tento steh jehlou a 3 nitěmi se používá pro začištění lehkých tkanin obnitkovacím stehem.

Změnou polohy jehly se získá užší nebo širší řetízkový steh.

Nastavte volič napětí nitě **14** **15** **16** **17** na vhodnou hodnotu (viz tabulku) a ušijte zkušební šev na použitém materiálu.

poloha jehly	
volič délky stehu	S
délka stehu	2 - 4
násadec horního chapače	není nutný

Tkanina	Napnutí nití			
	modrá	zelená	červená	žlutá
lehká tkanina	2,0	-	2,0	1,0
středně těžká tkanina	3,0	-	2,0	1,5
těžká látka	3,0	-	3,0	1,5

Tkanina	Napnutí nití			
	modrá	zelená	červená	žlutá
lehká tkanina	-	2,0	7,0	2,0
středně těžká tkanina	-	2,5	6,5	2,5
těžká látka	-	3,5	6,5	2,5

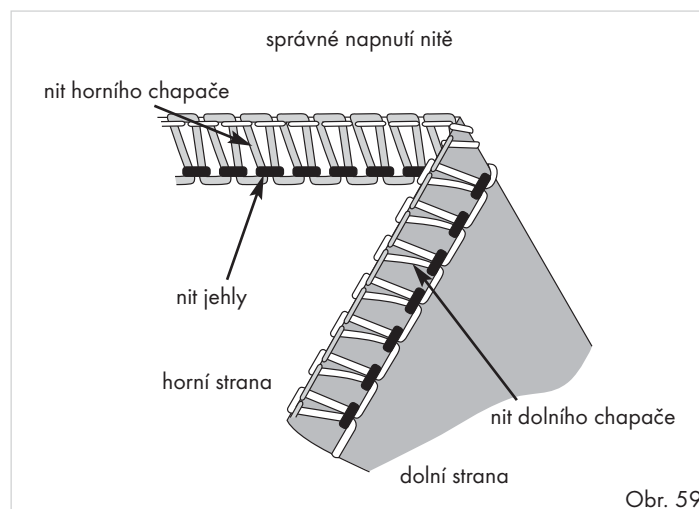
Pokud leží nit horního chapače na spodní straně látky (obr. 60):

- otočte voličem napětí nitě **16** horního chapače (červená) na vyšší hodnotu, nebo...
- otočte voličem napětí nitě dolního chapače **17** (žlutá) na nižší hodnotu.

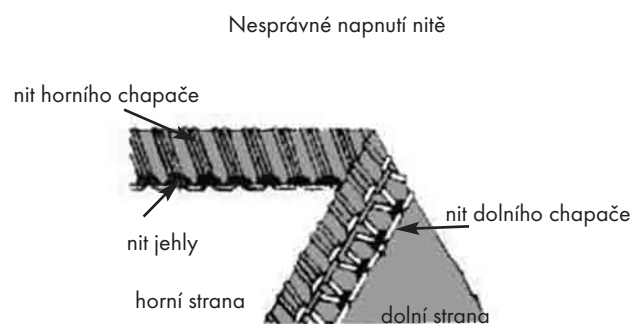
Pokud leží nit dolního chapače na horní straně látky (obr. 61):

- otočte voličem napětí nitě dolního chapače **17** (žlutá) na vyšší hodnotu, nebo...
- otočte voličem napětí nitě **16** horního chapače (červená) na nižší hodnotu.

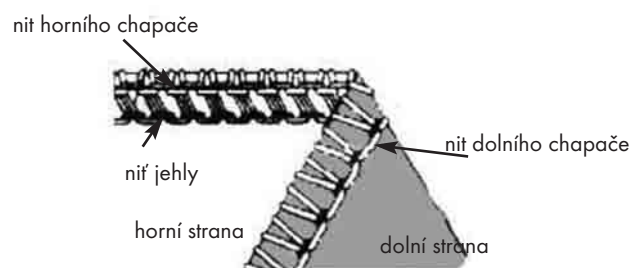
Pokud se nit jehly jeví jako příliš volná (obr. 62), otočte voličem napětí nitě jehly (modrá **14** nebo zelená **15**) na vyšší hodnotu.



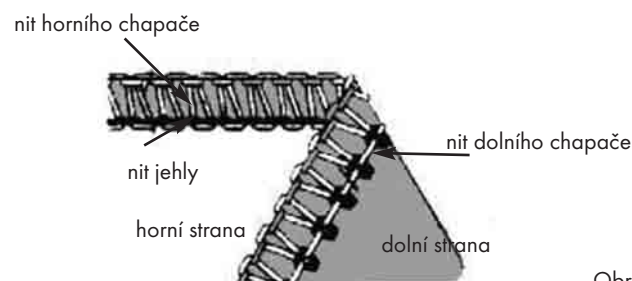
Obr. 59



Obr. 60



Obr. 61




Obr. 62

3-nitný plochý steh

Vzor tohoto stehu je znázorněn na obrázku 63.

Tento steh jednou jehlou a 3 nitěmi se používá jako kapovací a čelní stehy a jako ozdobné stehy s dekorativní nití. Změnou polohy jehly se získá užší nebo širší plochý steh.

Nastavte volič napětí nitě **14** **15** **16** **17** na vhodnou hodnotu (viz tabulku) a ušijte zkušební šev na použitém materiálu.

poloha jehly	
volič délky stehu	S
Délka stehu	2 - 4
násadec horního chapače	není nutný

Tkanina	Napnutí nití			
	modrý	zelený	červený	žlutý
lehká tkanina	0,5	-	2,5	2,5
středně těžká tkanina	0,5	-	2,0	2,0
těžká látka	1,0	-	3,0	3,0

Tkanina	Napnutí nití			
	modrá	zelená	červená	žlutá
lehká tkanina	-	0	7,0	4,0
středně těžká tkanina	-	0,5	7,0	4,0
těžká látka	-	1,0	7,0	4,0

Pokud je nit dolního chapače příliš volná (obr. 64):

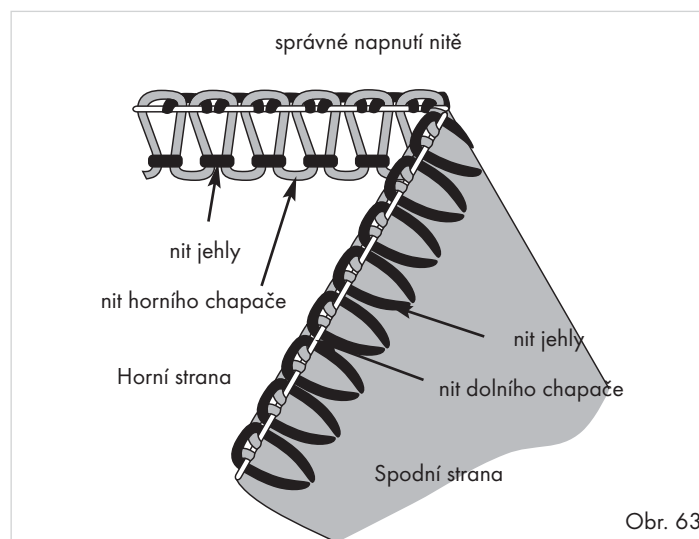
- otočte voličem napětí nitě dolního chapače **17** (žlutá) na vyšší hodnotu, nebo...
- otočte voličem napětí nitě jehly (modrá **14** nebo zelená **15**) na nižší hodnotu.

Pokud je nit horního chapače příliš volná (obr. 65):

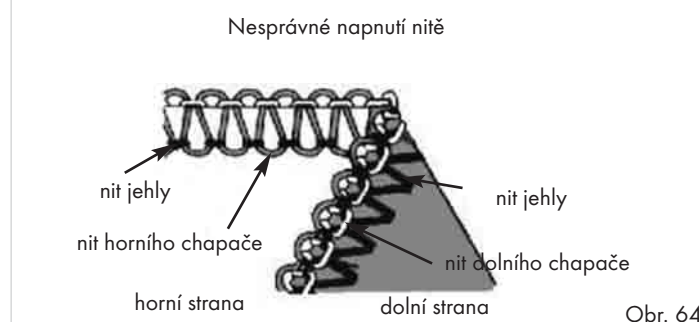
- otočte voličem napětí nitě horního chapače **16** (červená) na vyšší hodnotu, nebo...
- otočte voličem napětí nitě jehly (modrá **14** nebo zelená **15**) na nižší hodnotu.

Pokud je nit jehly příliš volná (obr. 66):

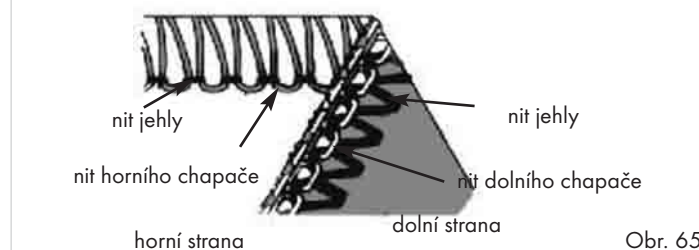
- otočte voličem napětí nitě jehly (modrá **14** nebo zelená **15**) na vyšší hodnotu.
- otočte voličem napětí nitě horního chapače **16** (červená) na nižší hodnotu.



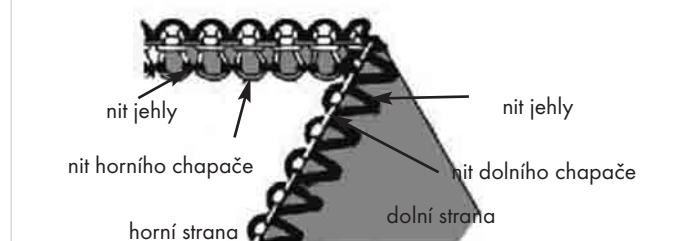
Obr. 63



Obr. 64



Obr. 65



Obr. 66


3-nitný obnitkovací řetízkový steh (overlock)

Vzor tohoto stehu je znázorněn na obrázku 67.

Tento steh jednou jehlou a 3 nitěmi se používá například k šití ozdobných okrajů.

Změnou polohy jehly se získá užší nebo širší obnitkovací řetízkový steh.

Nastavte volič napětí nitě **14** **15** **16** **17** na vhodnou hodnotu (viz tabulku) a ušijte zkušební šev na použitém materiálu.

poloha jehly	
volič délky stehu	S
délka stehu	2 - 4
násadec horního chapače	není nutný

Tkanina	Napnutí nití			
	modrá	zelená	červená	žlutá
lehká tkanina	2,0	-	0	4,0
středně těžká tkanina	3,0	-	0,5	6,5
těžká látka	4,0	-	0,5	7,5

Tkanina	Napnutí nití			
	modrá	zelená	červená	žlutá
lehká tkanina	-	1,5	0	5,0
středně těžká tkanina	-	2,5	1,0	7,0
těžká látka	-	3,0	1,5	8,0

Pokud je nit horního chapače příliš volná (obr. 68):

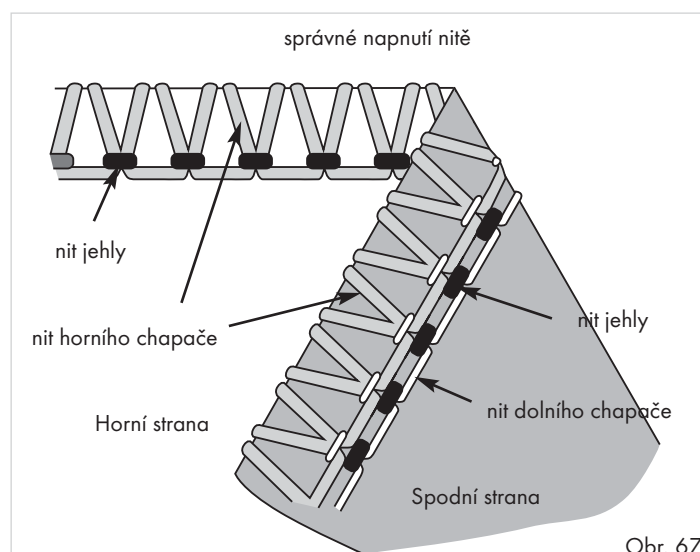
- otočte voličem napětí nitě horního chapače **16** (červená) na vyšší hodnotu.

Pokud je nit dolního chapače příliš volná (obr. 69):

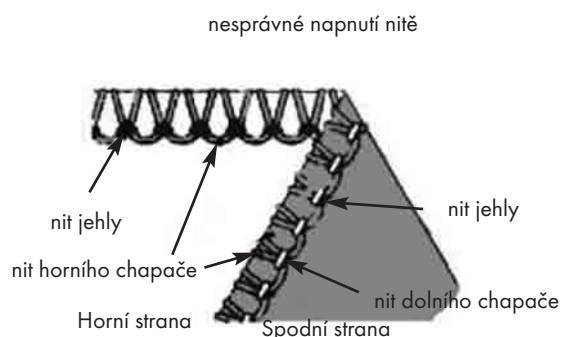
- otočte voličem napětí nitě dolního chapače **17** (žlutá) na vyšší hodnotu, nebo...
- otočte voličem napětí nitě horního chapače **16** (červená) na nižší hodnotu.

Pokud je nit jehly příliš volná (obr. 70):

- otočte voličem napětí nitě jehly (modrá **14** nebo zelená **15**) na vyšší hodnotu.
- otočte voličem napětí nitě horního chapače **16** (červená) na nižší hodnotu.



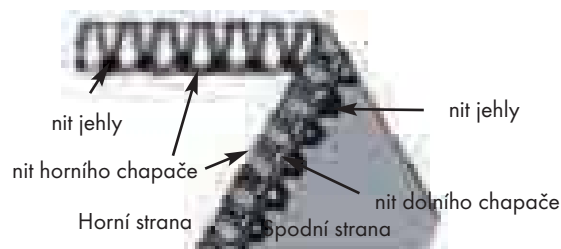
Obr. 67



Obr. 68



Obr. 69



Obr. 70


3-nitný zabezpečovací steh, ultraprůžný, imitovaný

Vzor tohoto stehu je znázorněn na obrázku 71.

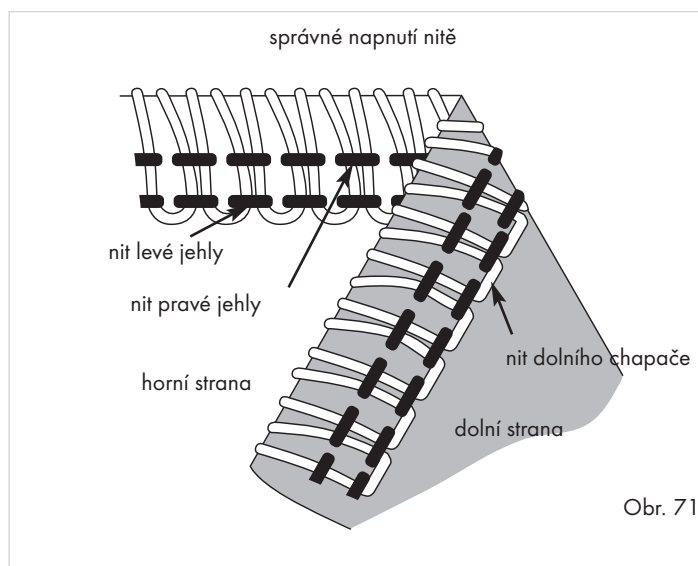
Tento steh 2 jehlami a 3 nitěmi je ideální pro lehké, extrémně strečové látky, jako např. trikot a elastan.

Nastavte volič napětí nitě **14** **15** **16** **17** na vhodnou hodnotu (viz tabulku) a ušijte zkušební šev na použitém materiálu.

Pro tento typ stehu nastrčte do horního chapače **19** násadec horního chapače.

poloha jehly	
volič délky stehu	S
Délka stehu	2 - 4
násadec horního chapače	nasadit

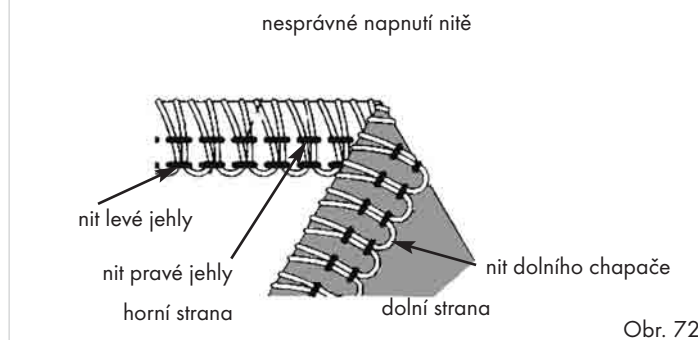
Tkanina	Napnutí nití			
	modrá	zelená	červená	žlutá
lehká tkanina	2,0	1,5	Vložení násadce horního chapače	0
středně těžká tkanina	3,0	2,0	Vložení násadce horního chapače	0,5
těžká tkanina	4,0	3,0	Vložení násadce horního chapače	1,0



Obr. 71

Pokud je nit dolního chapače příliš volná (obr. 72):

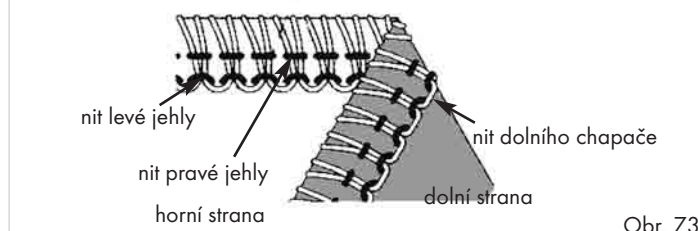
- otočte voličem napětí nitě dolního chapače **17** (žlutá) na vyšší hodnotu.



Obr. 72

Pokud je nit levé jehly příliš volná (obr. 73):

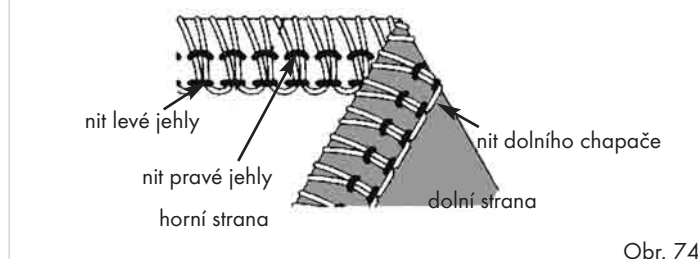
- otočte voličem napětí nitě levé jehly **14** (modrá) na vyšší hodnotu.



Obr. 73

Pokud je nit pravé jehly příliš volná (obr. 74):

- otočte voličem napětí nitě pravé jehly **15** (zelená) na vyšší hodnotu.



Obr. 74

4-nitný zabezpečovací steh, ultraprůžný, imitovaný


Vzor tohoto stehu je znázorněn na obrázku 75.

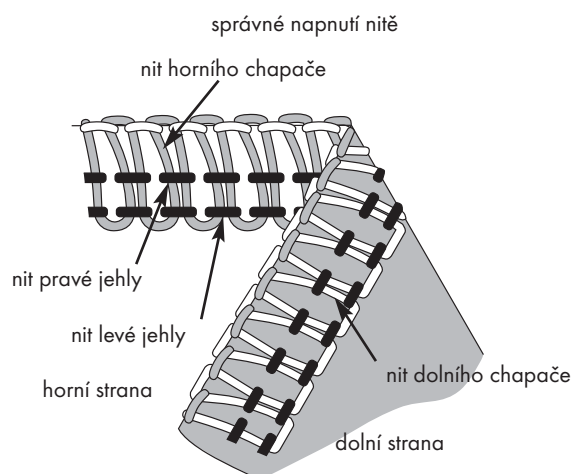
Tento steh 2 jehlami a 4 nitěmi je ideální pro středně těžké až těžké, strečové látky, jako např. dvojítká pletenina a plovoucí oděvy.

Je ideální pro sešívání dvou látek a současnému začišťení okrajů.

Nastavte volič napětí nitě **14** **15** **16** **17** na vhodnou hodnotu (viz tabulku) a ušijte zkušební šev na použitém materiálu.

Tkanina	Napnutí nití			
	modrá	zelená	červená	žlutá
lehká tkanina	2,5	2,0	2,5	2,0
středně těžká tkanina	3,0	2,0	3,0	2,0
těžká tkanina	4,0	2,5	4,0	2,5

poloha jehly	
volič délky stehu	S
délka stehu	2 - 4
násadec horního chapače	není nutný



Obr. 75

Pokud leží nit horního chapače na spodní straně látky (obr. 76):

- otočte voličem napětí nitě horního chapače **16** (červená) na vyšší hodnotu, nebo...
- otočte voličem napětí nitě dolního chapače **17** (žlutá) na nižší hodnotu.

Pokud leží nit dolního chapače na horní straně látky (obr. 77):

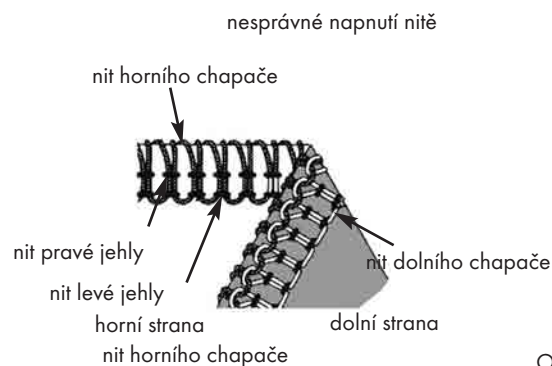
- otočte voličem napětí nitě dolního chapače **17** (žlutá) na vyšší hodnotu, nebo...
- otočte voličem napětí nitě horního chapače **16** (červená) na nižší hodnotu.

Pokud je nit levé jehly příliš volná (obr. 78):

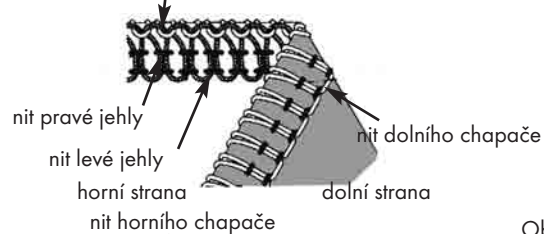
- otočte voličem napětí nitě levé jehly **14** (modrá) na vyšší hodnotu.

Pokud je nit pravé jehly příliš volná (obr. 79):

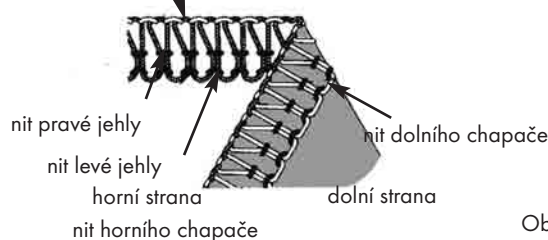
- otočte voličem napětí nitě pravé jehly **15** (zelená) na vyšší hodnotu.



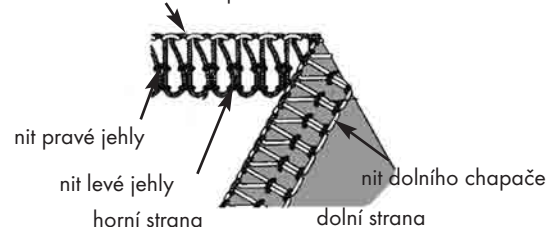
Obr. 76



Obr. 77



Obr. 78



Obr. 79

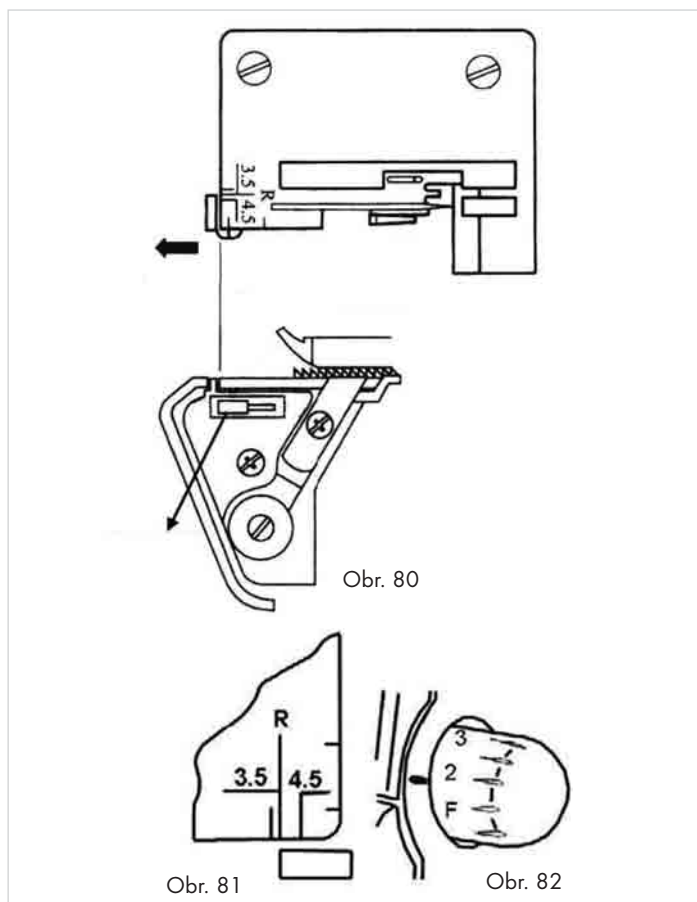
Válcové lemy

Tímto šicím strojem lze šít čtyři různé typy válcových lemů. Při šití válcových lemů se musí založit okraj šicího materiálu a obšít obnitkovacím overlock stehem. Tento druh lemů je ideální pro látky jako je např. batist, chiffon, organd atd.. Těžké látky nebo tuhé tkaniny nejsou vhodné pro válcové lemy.

- Vyjměte levou jehlu.
- Nastavte volič šířky stehu 23 na „R“ (obr. 80).
- Vycentrujte opěrnou desku palce šířky stehu na označení „R“ na stehové desce otočením voliče šíře stehu 24 (obr. 81).
- Nastavte stavěcí kolečko pro délku stehu 5 na „F - 2“ (obr. 82). Tím se ušije jemný steh.
- Pro válcové lemy používejte jehly kat.č. 14.

ⓘ Upozornění:

- Pro válcový lem lze používat hodně různých kombinací nití. Pro vytvoření obzvláště pěkného válcového lemů (3-nitý válcový lem), použijte chlupatou přízi (chlupatá polyamidová nit/Woolly Nylon) jako nit horního chapače a normální nit pro jehlu a dolní chapač. Pro 2-nitý válcový lem použijte chlupatou nit pro dolní chapač a normální nit pro jehlu.
- Na začátku šití přidržte pevně řetízek, aby se nemohl vrolovat do stehu.
- Materiál ve směru šití lehce napněte. Tím je steh pevnější.
- Předtím, než řetízek na látce odsťihnete, nakapejte na steh malou kapku lepidla na textilie a nechte ji usušit. Předtím však vyzkoušejte látku na stálobarevnost.



3-nitý válcový dutý lem

Vzor tohoto stehu je znázorněn na obrázku 83.

Nit horního chapače	Napnutí nití			
	modrá	zelená	červená	žlutá
polyester	-	2,0	7,5	3,0
chlupatá příze	-	2,0	2,0	2,0

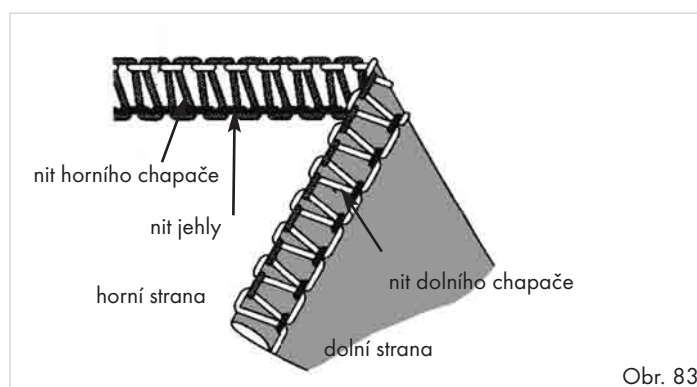
Nastavte volič napětí nitě 15 16 17 na vhodnou hodnotu (viz tabulku) a ušijte zkušební šev na použitém materiálu.

3-nitý obnitkovací válcový lem horního chapače

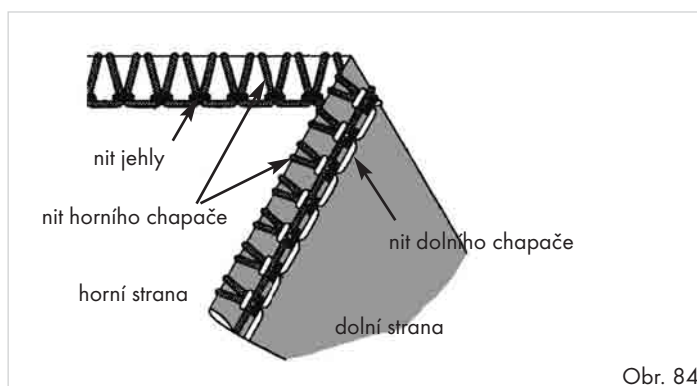
Vzor tohoto stehu je znázorněn na obrázku 84. Nastavte volič napětí nitě 15 16 17 na vhodnou hodnotu (viz tabulku) a ušijte zkušební šev na použitém materiálu.

Nit horního chapače	Napnutí nití			
	modrá	zelená	červená	žlutá
polyester	-	2,0	5,5	7,0
chlupatá příze	-	2,0	0	2,5

poloha jehly	
volič délky stehu	R
Délka stehu	F - 2
násadec horního chapače	není nutné



Obr. 83



Obr. 84


2-nitný válcový dutý lem

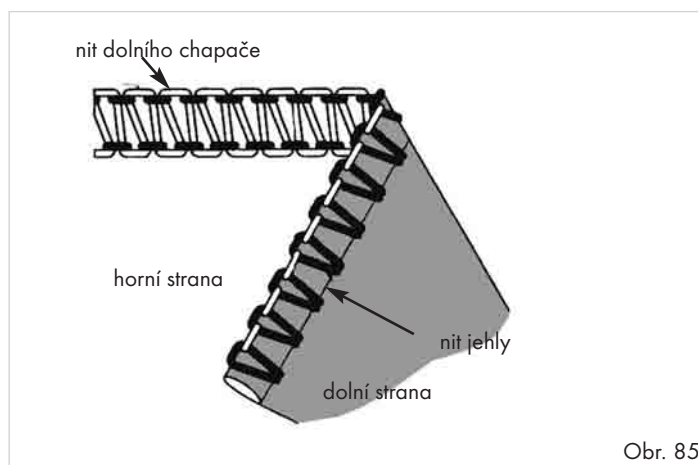
Vzor tohoto stehu je znázorněn na obrázku 85.

Nastavte volič napětí nitě **15** **17** na vhodnou hodnotu (viz tabulku) a ušijte zkušební šev na použitém materiálu.

Pro tento typ stehu nastrčte do horního chapače **19** násadec horního chapače.

Nit dolního chapače	Napnutí nití			
	modrá	zelená	červená	žlutá
chomáč příze	-	1,5	Vložení násadce horního chapače	1,5

poloha jehly	
volič délky stehu	R
Délka stehu	F - 2
násadec horního chapače	nasadit



Obr. 85


2-nitný obnitkovací válcový lem dolního chapače

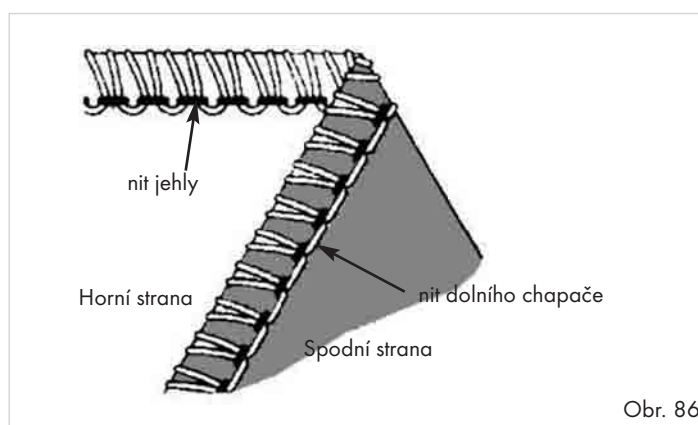
Vzor tohoto stehu je znázorněn na obrázku 86.

Nastavte volič napětí nitě **15** **17** na vhodnou hodnotu (viz tabulku) a ušijte zkušební šev na použitém materiálu.

Pro tento typ stehu nastrčte do horního chapače **19** násadec horního chapače.

Nit dolního chapače	Napnutí nití			
	modrá	zelená	červená	žlutá
polyester	-	2,0	Vložení násadce horního chapače	2,0
chomáč příze	-	1,5	Vložení násadce horního chapače	1,5

poloha jehly	
volič délky stehu	R
Délka stehu	F - 2
násadce horního chapače	Vložení



Obr. 86

Ploché ozdobné švy

Pro vytvoření plochých stehů nastavte napětí nitě na 3-nitný obnitkovací overlock steh. Ušijte jeden steh a vzápětí natáhněte šicí materiál pro vyhlazení stehu.

Plochý steh lze použít jako dekorativní montážní steh nebo jako ozdobný steh (obr. 87, tmavá nit).

ⓘ **Upozornění:**

- Dbejte na správné napětí nitě, aby se dal šicí materiál po ušití dobře natáhnout.
- Používejte dekorativní nit pro horní chapače, protože tato nit je nejdůležitější nití a je dobře vidět.

1. Vyměňte pravou resp. levou jehlu (obr. 88).

2. Nastavte doporučené nastavení napětí pro 3-nitný overlokový steh (obr. 89).

3. Poté nastavte napětí nitě horního chapače (zelená resp. modrá) podstatně volněji.

4. Nyní trochu uvolněte také napětí nitě horního chapače (červená).

5. Poté nastavte napětí nitě dolního chapače (žlutá) podstatně pevněji.

Plochý šev jako montážní šev

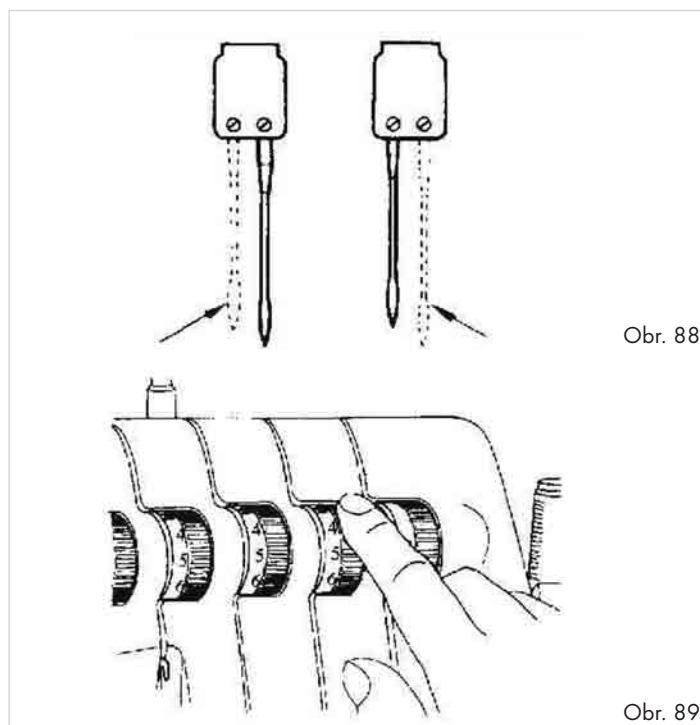
- Pro vytvoření dekorativního stehu na líci látky přeložte obě látky, které se mají sešít, na rub.
- Šijte steh a přebytečnou látku přitom hned odstříhnete (obr. 90).

Vzor tohoto stehu je znázorněn na obrázku 91.

- Horní steh (steh jehly) (zelená nebo modrá) vytvoří poté na rubu látky V.
- Nit dolního chapače probíhá rovně na okraji látky.
- Roztažením protilehlých stran švu vytvoříte ploché stehy.

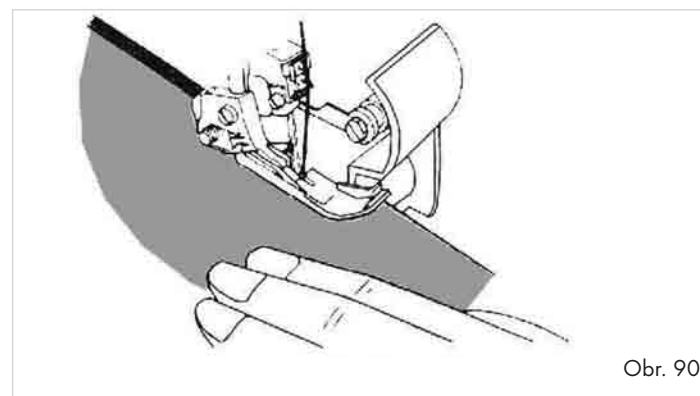


Obr. 87

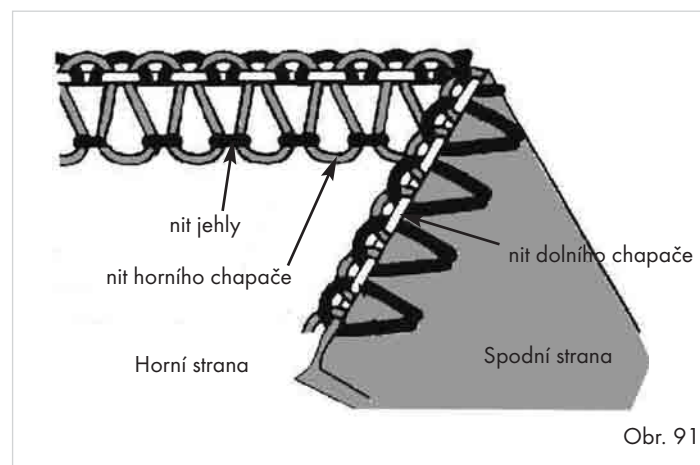


Obr. 88

Obr. 89



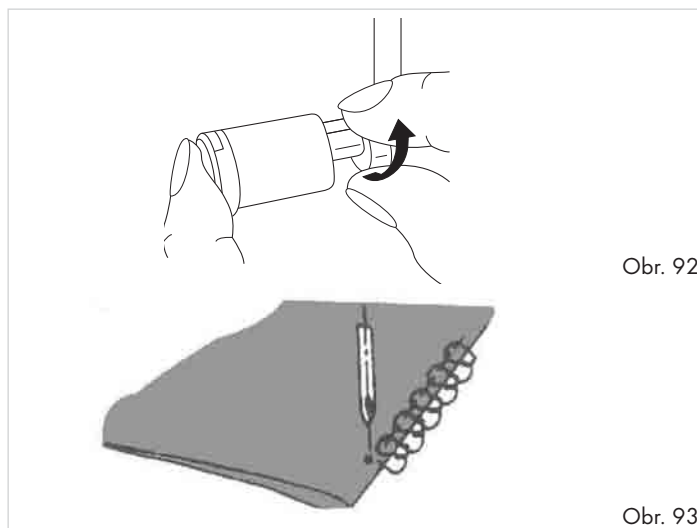
Obr. 90



Obr. 91

Plochý šev jako ozdobný šev

- Nastavte pohyblivý horní nůž **13** do klidové polohy (obr. 92). Stroj nebude odřezávat látku na stehu.
- Přehněte látku tak, že k sobě doléhají ruby látek.



Obr. 92

- Položte látku tak, aby část stehu přesahovala okraj látky (obr. 93).
- Ušijte steh.
- Poté látky roztáhněte. Tak se vytvoří ploché stehy.

Obr. 93

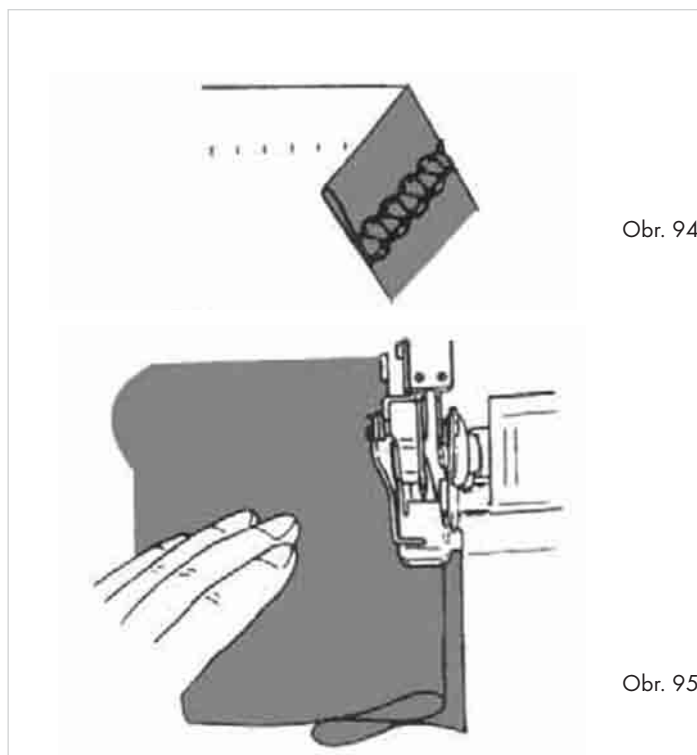
Slepé lemy overlockem

Overlockový slepý lem je nejvhodnější při šití úpletů. Vytvoří trvanlivé a téměř

neviditelné začistiění okrajů (obr. 94).

Šití slepého lemu, odstříhání přebytečné látky a obnítování okrajů je prováděno v jedné operaci.

1. Vyjměte levou jehlu a seřídte stroj na úzký 3-nitný obnítovací steh.
2. Nastavte délku stehu na 4.
3. Přeložte látku na opačnou stranu a zpět na správnou stranu s 6 mm přesahem přes záhyb (obr. 95).
4. Šijte na vysunutém okraji lemu. Jehla musí přitom správně zachycovat okraj záhybu.



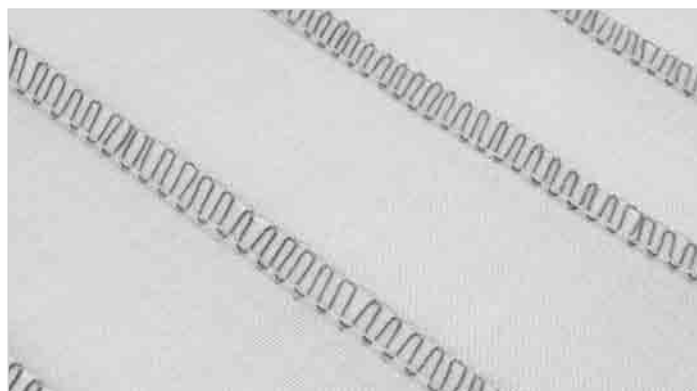
Obr. 94

Obr. 95

Sámky

Pro dekorativnější úpravu Vašich oděvů, je můžete opatřit před střiháním sámkami (obr. 96). Sámký jsou ozdobné stehy, znázorněné na obrázku 96.

1. Vyjměte levou jehlu a seřídte stroj na úzký 3-nitný obnítovací steh.
2. Nastavte horní nůž **13** do klidové polohy.
3. K dosažení stejnoměrného výsledku, si zaznačte požadovaný počet sámků ve vodě rozpustnou tužkou na textil nebo textilní křídou na látku.
4. Složte látku do sámků rubem na sebe a šijte.
5. Jakmile jsou ušité všechny sámký, přežehlete je jedním směrem, aby doléhaly stejnoměrně hladce.

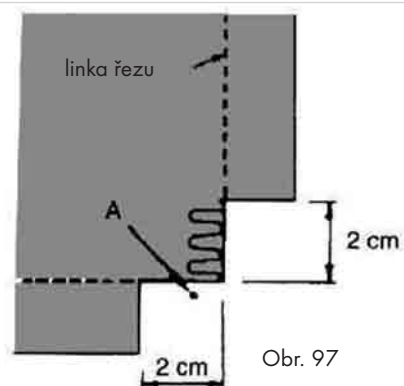


Obr. 96

Šití rohů

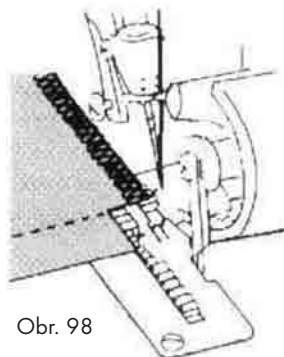
Vnější rohy

1. Vystříhnete přibližně 2 cm od rohů v linii s okrajem obnítkování lemu (obr. 97).
2. Šijte k bodu A a jeden steh za okrajem látky a stroj pak zastavte (obr. 97).

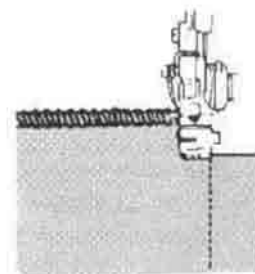


Obr. 97

3. Zvedněte jehlu a přítlačnou patku 21.
4. Stáhněte látku k zadní straně stroje tak, aby se uvolnila nit, držaná na záchytné stehové desce 19. (Na obrázku byla odstraněna přítlačná patka 21 aby bylo vidět na stehovou desku - obr. 98).
5. Otočte látku, spusťte přítlačnou patku tak 21, aby horní nůž 18 byl umístěn v linii odřezu okraje látky (obr. 99).
6. Táhněte volnou nit směrem nahoru a šijte dál.



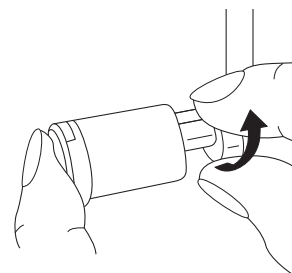
Obr. 98



Obr. 99

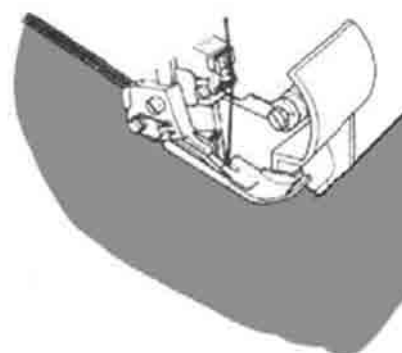
Vnitřní rohy

1. Odstříhnete látku na okraji švu.
2. Nastavte horní nůž 18 do klidové polohy (obr. 100).

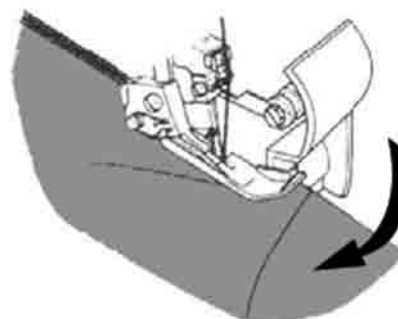


Obr. 100

3. Šijte na odstřiženém okraji látky (obr. 101).
4. Zastavte šití před dosažením rohu.
5. Udělejte v rohu záhyb tak, aby oba okraje vytvořili linii (obr. 102).
6. Přešijte pomalu přes roh druhý okraj. Dbejte při tom na to, aby jste nezachytili záhyb!



Obr. 101



Obr. 102

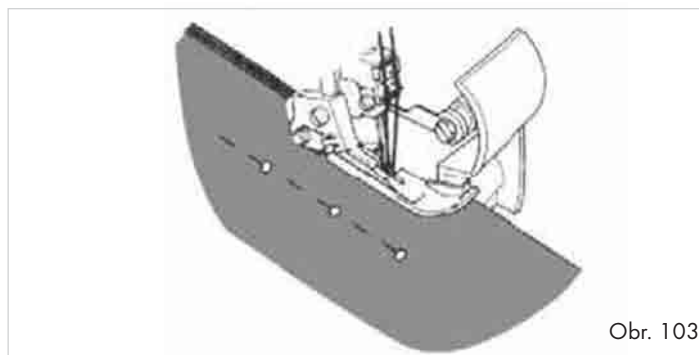
Tipy a triky

Špendlení

Zapichujte špendlíky nalevo od přitlačné patky 21 (obr. 103). Tak se špendlíky nenachází v prostoru odstříhu nože 18 22 a dají se snadno vyjmout.

⚠ Pozor! Poškození přístroje!

Nikdy nešijte přes špendlíky nebo jiné tvrdší materiály. Při tom by mohlo dojít nenávratně k poškození nožů 18 22 !



Obr. 103

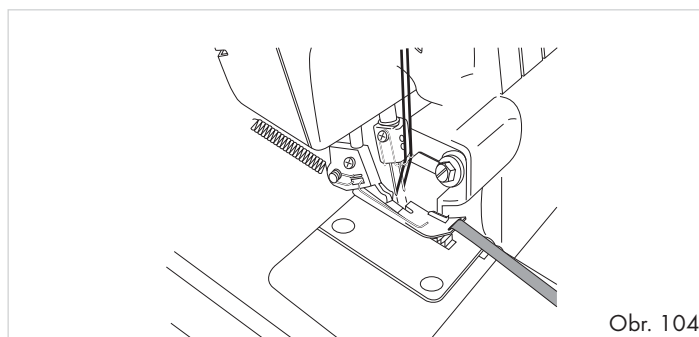
Zajištění řetízku

Pro zabránění uvolnění řetízku, navlékněte řetízek do normální šicí jehly. Vložte jehlu do konce švu a zajištěte nit.

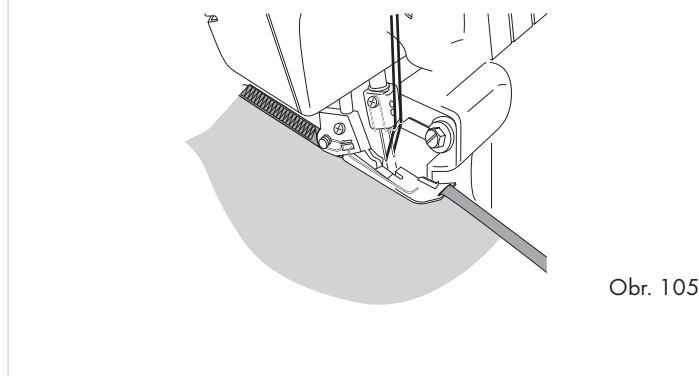
Zpevnění švu

Vložení pásky do obnitkovacího švu docílíte stabilizování švu. Provedete pásku rozparkem v předním otvoru přitlačné patky 21 (obr. 104).

Položte pásku pod patku dozadu a šijte šev. Tím se páska zachytí při šití švu. (obr. 105).



Obr. 104

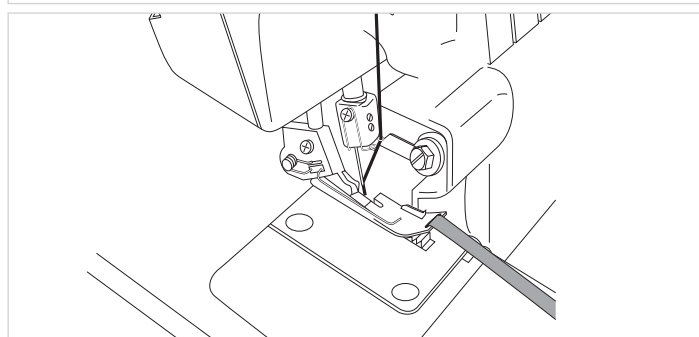


Obr. 105

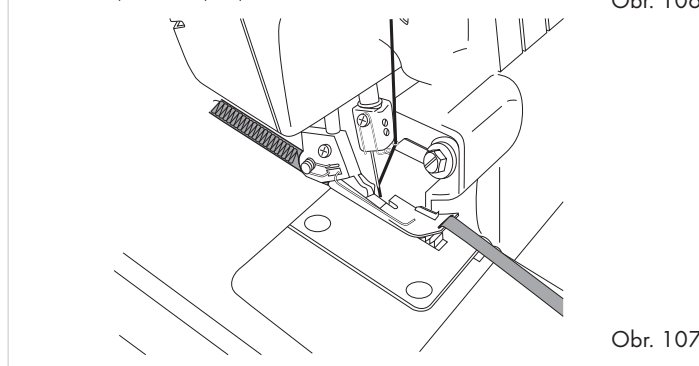
Lemování řetízkem

1. Nastavte horní nůž 18 do klidové polohy.
2. Vyměňte pravou jehlu a k ní příslušnou nit.
3. Provedete provázek (přízi nebo stužku) rozparkem v předním prostoru přitlačné patky 21 (obr. 106).
4. Položte provázek nebo stužku dozadu pod přitlačnou patku 21 a šijte řetízkem požadovanou délku (obr. 107).

Ořetízkované lemy můžete používat jednotlivě nebo je můžete splést do několika pramenů.



Obr. 106



Obr. 107

Údržba a čištění

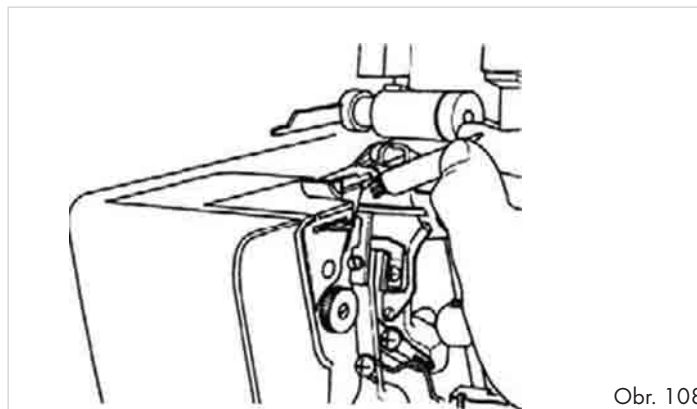
⚠ Pozor!

Před čištěním nebo údržbou vždy vytáhněte síťovou zástrčku ze zásuvky. Toto zabraňuje náhodnému spuštění přístroje. Jinak hrozí nebezpečí zranění!

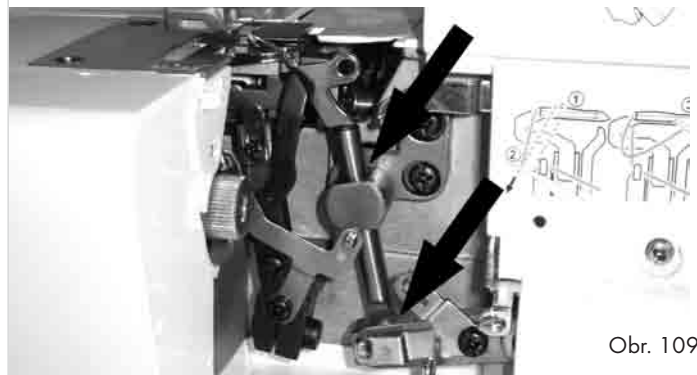
Čištění a mazání

- Odstraňte pravidelně prach a chuchvalce z pracovního prostoru chapačů a nožů. K tomu můžete použít spoludodaný štetec (obr. 108).
- Šicí stroj otřete lehce navlhčeným hadříkem.

- Namažte pravidelně mazací místa, zobrazená na obrázku 109. Používejte výlučně olej na šicí stroje.



Obr. 108



Obr. 109

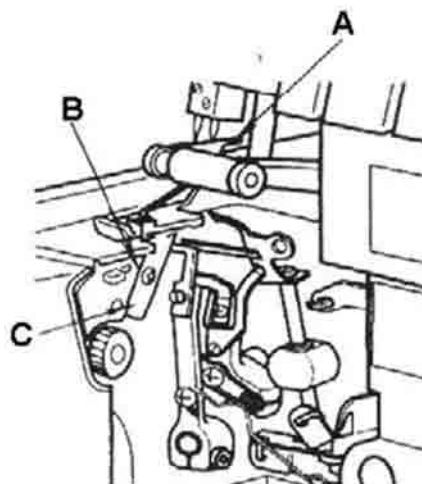
Výměna dolního nože

⚠ Pozor!

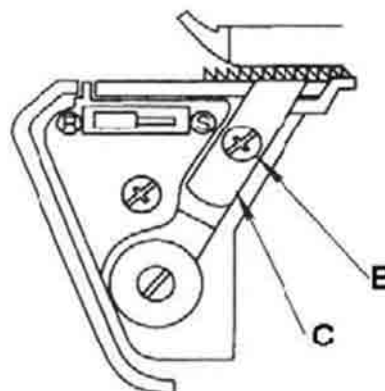
Před výměnou nože 22 vytáhněte síťovou zástrčku ze zásuvky. Toto zabraňuje náhodnému spuštění přístroje. Jinak hrozí nebezpečí zranění!

Dolní nože 22 okamžitě vyměňte, jakmile zjistíte, že dolní nůž 22 správně a čistě neodstříhne látku. Postupujte podle obrázku 110.

1. Otevřete čelní kryt 10.
2. Nastavte horní nůž 18 do klidové polohy (A).
3. Odšroubujte šroub na dolním noži 22 (B) a vyjměte nůž 22 (C) (obr. 111).
4. Zasuňte nový nůž 22 do přídržení a našroubujte jej napevno.
5. Nastavte horní nůž 18 do pracovní polohy a zavřete čelní kryt 10.



Obr. 110



Obr. 111

Úschova

Pozor:

Než začnete s uložení šicího stroje, vytáhněte vždy zástrčku ze zásuvky. Toto zabraňuje náhodnému spuštění přístroje a tím také nebezpečí zranění a přehřátí přístroje!

Pokud šicí stroj nepoužíváte, zakryjte jej vždy krycím poklopem. Tak chráníte šicí stroj před prachem. Uchovávejte šicí stroj na suchém a čistém místě.

Šicí stroj přepravujte pouze za vyklopenou rukojeť.

Likvidace



Přístroj v žádném případě nevhazujte do běžného domovního odpadu. Tento výrobek podléhá evropské směrnici 2002/96/EC.

Přístroj předejte k likvidaci odborné firmě či jej odevzdejte v místním recyklačním zařízení.

Dodržujte aktuálně platné předpisy. V případě pochybností kontaktujte příslušnou firmu, která se zabývá likvidací odpadu.



Veškeré obalové materiály nechte zlikvidovat v souladu s ekologickými předpisy.

Při likvidaci nikdy nedávejte olej ze šicího stroje do normálního domovního odpadu. Nikdy jej nelijte do kanalizace. Olej předejte k likvidaci odborné firmě či jej odevzdejte v místním recyklačním zařízení.

Záruka a servis

Na tento přístroj platí tříletá záruka od data zakoupení. Přístroj byl vyroben s nejvyšší pečlivostí a před odesláním prošel výstupní kontrolou.

Uschovejte si, prosím, pokladní lístek jako doklad o nákupu. Budete-li uplatňovat záruku, spojte se prosím telefonicky se servisní provozovnou.

Pouze tak může být zajištěno bezplatné zaslání Vašeho zboží.

Záruční plnění se vztahuje pouze na vady materiálu nebo výrobní závady, nikoliv však škody, vzniklé při dopravě, na opotřebované díly nebo poškození rozbitných součástí, např. spínačů nebo akumulátorů. Výrobek je určen výhradně pro soukromé použití, nikoliv pro podnikatelské účely.

V případě neodborné či nesprávné manipulace, použití násilí nebo neautorizovaných zásahů do přístroje záruka zaniká. Vaše práva vyplývající ze zákona touto zárukou nejsou omezena.

Záručním plněním se záruční doba neprodlouží. To platí také i pro nahrazené a opravené součásti. Poškození a závady, zjištěné už při koupě, se musí hlásit okamžitě po vybalení výrobku, nejpozději však do dvou dnů po datu nákupu.

Opravy, provedené po uplynutí záruční doby, podléhají poplatkům.

 **Servis Česko**

Tel.: 800143873

E-Mail: kompernass@lidl.cz

Dovozce

KOMPERNASS GMBH
BURGSTRASSE 21
44867 BOCHUM, GERMANY

www.Kompernass.com

Odstranění závad

Problém	Příčina	Odstranění chyby
Jehly se lámou	• Jehly jsou ohnuté, tupé nebo poškozené na špičce.	• Zasuňte nové jehly.
	• Jehly nejsou správně zasunuté.	• Zasuňte jehlu správně do přídržení.
	• Příliš silně jste tahali za látku při šití	• Posouvejte tkaninu jemně oběma rukama.
Nítě se trhají	• Nít není správně navlečená.	• Navlečte nit správně.
	• Napětí nití je příliš vysoké.	• Snižte napětí nití.
	• Jehly nejsou správně zasunuté.	• Zasuňte jehlu správně do přídržení.
Vynechávání stehů	• Jehly jsou ohnuté, tupé nebo poškozené na špičce.	• Zasuňte nové jehly.
	• Jehly nejsou správně zasunuté.	• Zasuňte jehlu správně do přídržení.
	• Nít není správně navlečená.	• Zkontrolujte průběh jednotlivých nití.
Stehy jsou nepravidelné	• Napětí nití není správné.	• Zkorigujte napětí nití.
	• Nít se zadržává.	• Zkontrolujte průběh jednotlivých nití.
Stehy tvoří záhyby	• Napětí nití je příliš vysoké.	• Nastavte dodatečně napětí nitě.
	• Nít není správně navlečená.	• Navlečte nit správně.
	• Nít se zadržává.	• Zkontrolujte průběh jednotlivých nití.
	• Diferenciální podávání není nastaveno.	• Nastavte správně diferenciální podávání.
Látka není čistě odříznutá	• Nože jsou tupé nebo nesprávně vloženy.	• Vyměňte nůž nebo je vložte správně.
Okraje tkaniny se kadeří	• Příliš mnoho látky na jeden steh.	• Změňte šířku stehu.

Obsah	Strana
Používanie zodpovedajúce určeniu	183
Bezpečnostné pokyny	183
Obsah dodávky	184
Technické údaje	184
Opis prístroja	185
Odstavenie horného noža do pokojovej polohy	185
Informácie o ihlách	185
Horný podávač	185
Otvorenie predného krytu	186
Príprava	186
Pripojenie pedála	186
Ovládanie rýchlosti šitia	186
Bezpečnostný spínač	186
Nasadenie nádoby na odstrižky	186
Demontáž ihly	187
Nasadenie ihly	187
Práca s ručným kolieskom	187
Nastavenie držáka nití s vedením	187
Navliekanie	188
Všeobecné pokyny pre navliekanie	188
Navliekanie horného podávača (modrý)	188
Navliekanie dolného podávača (žltý)	190
Navliekanie nite pre pravú ihlu (zelený)	191
Navliekanie nite pre ľavú ihlu (modrý)	193
Skúšobné šitie	194
Výmena nite (viazaním)	195
Nastavenie dĺžky stehu	195
Nastavenie šírky stehu	195
... pomocou pravej alebo ľavej ihly	195
... otáčaním nastavovacieho gombíka šírky stehu	196
Nastavenie nastavovacieho gombíka šírky stehu	196
Nastavenie tlaku pätky	196
Diferenciálne podávanie	197
Princíp činnosti	197
Naberaný overlokový steh - nastavenie	197
Elastický overlokový steh - nastavenie	197
Šitie s voľným ramenom	198

Pred prvým použitím si pozorne prečítajte návod na používanie a uschovajte ho pre prípadné ďalšie použitie. Pri odovzdaní prístroja tretej osobe ho odovzdajte spolu s návodom.

Šitie s voľným ramenom	199
Rolované lemy	199
Retiazkový steh a skúška šitia	200
Odporúčané nastavenia napnutia	200
2-niřový retiazkový overlokový steh	201
2-niřový overlokový steh	202
3-niřový retiazkový steh (overlok)	203
3-niřový plochý steh	204
3-niřový retiazkový overlokový steh	205
3-niřový zabezpečovací steh, ultraprůžný, imitovaný	206
4-niřový zabezpečovací steh, ultraprůžný, imitovaný	207
Rolované lemy	208
3-niřový rolovaný lem	208
3-niřový overlokový rolovaný lem s horným podávačom	208
2-niřový rolovaný lem	209
2-niřový overlokový rolovaný lem s dolným podávačom	209
Plochý ozdobný steh	210
Plochý steh ako spojovací	210
Plochý steh ako ozdobný	211
Slepý overlokový steh	211
Vlasové zámiky	211
Šitie rohov	212
Vonkajšie rohy	212
Vnútorne rohy	212
Tipy a triky	213
Zapichovanie špendlíkov	213
Zaistenie prázdnej retiazky	213
Zosilnenie švika	213
Lemovky	213
Údržba a čistenie	214
Čistenie a olejovanie	214
Výmena spodného noža	214
Uskladnenie	215
Likvidácia	215
Záruka a servis	215
Dovozca	215
Odstraňovanie porúch	216

OBNITKOVACÍ ŠIJACÍ STROJ

Používanie zodpovedajúce určeniu

Overlokový šijací stroj je určený ...

- na používanie ako prenosné zariadenie,
- na lemovanie okrajov látok (obšívanie) v domácnostiach bežných textílií a ...
- len na používanie pre súkromnú potrebu v domácnostiach.

Šijací stroj nie je určený ...

- na umiestnenie na pevnom mieste,
- na opracovanie iných materiálov (napr. koža, plachtovina a podobné hrubé látky)
- na profesionálne používanie v priemyselných odvetviach.

Bezpečnostné pokyny ⚠

Na šijacom stroji sa môžete zraniť alebo si ohroziť život ako na každom inom elektrickom zariadení. Ak sa tomu chcete vyhnúť a bezpečne pracovať:

- Vždy keď odchádzate od stroja, vytiahnite zástrčku zo siete. Tým zabránite nebezpečenstvu úrazu neúmyselným zapnutím stroja.
- Pred údržbovými prácami na stroji vždy najprv vytiahnite sieťovú zástrčku zo zásuvky. Tým predídete nebezpečenstvu ohrozenia života elektrickým prúdom. Svetidlo LED nie je vymeniteľné.
- Nevyfahujte zástrčku zo zásuvky fahaním za kábel. Pri vyfahovaní zástrčky sa nedotýkajte kábla.
- Stroj používajte vždy iba v suchých miestnostiach.
- Poškodenú sieťovú šnúru alebo zástrčku nechajte ihneď vymeniť oprávnenému odborníkovi alebo v zákazníckom servise, aby ste sa vyhli ohrozeniu zdravia.
- Tento prístroj nie je určený na to, aby ho používali osoby (vrátane detí) s obmedzenými fyzickými, zmyslovými alebo duševnými schopnosťami, alebo s nedostatkom skúseností alebo nedostatkom znalostí, len za predpokladu, že budú pod dohľadom osoby zodpovednej za ich bezpečnosť, alebo od nej dostanú pokyny, ako sa má prístroj používať.
- Na deti treba dohliadať, aby sa zabezpečilo, že sa nebudú hrať s prístrojom.
- Nikdy nepoužívajte stroj so zakrytými vetracími otvormi. Chráňte vetracie otvory stroja a pedála pred vláknami, prachom a odpadom z látok.
- Keď sa prírodný kábel k pedálu poškodí, musí ho vymeniť výrobca, jeho zákaznícky servis alebo podobne kvalifikovaný odborník, aby sa zabránilo ohrozeniu.

⚠ **Varovanie pred úrazmi a vecnými škodami:**

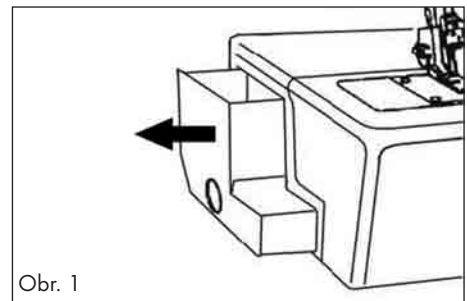
- Udržujte na svojom pracovisku poriadok. Neporiadok v pracovnom priestore môže mať za následok spôsobenie úrazu.
- Pri práci zabezpečte vždy dobré osvetlenie!
- Nenoste voľný odev alebo šperky, pretože ich môžu zachytiť pohyblivé časti stroja. Z tohto dôvodu používajte pri dlhých vlasoch aj sieťku na vlasy.
- Vyhýbajte sa neprirodzenému držaniu tela. Dbajte na to, aby ste mali vždy bezpečnú polohu a zabezpečenú rovnováhu.
- Výrobca neručí za škody vzniknuté pri nehodách spôsobených nedostatočnou pozornosťou pri práci so strojom alebo nedodržaním bezpečnostných pokynov uvedených v tomto návode.
- Nikdy nezakrývajte vetracie otvory! Nebezpečenstvo prehriatia!
- Olej na šijacie stroje udržiavajte mimo dosahu detí.
- Ak dôjde k prehltutiu oleja na šijacie stroje alebo jeho styku s okom, ihneď vyhľadajte lekársku pomoc.

Obsah dodávky


Overlokový šijací stroj
Olej
Nádoba na odstrižky (odpad)
Škatuľa na príslušenstvo
Návod na používanie

Náhradný nôž (spodný)	
2 ihly č. 11 4 ihly č. 14 (2 sú namontované v stroji)	
4 kryty cievky	
Nástavec horného podávača	
Malý krížový skrutkovač	
Veľký krížový skrutkovač	
Ochranné veko	
Pinzeta	
Štetec s integrovaným páradlom	

Príslušenstvo je v škatuli na boku stroja (obr. 1).



Technické údaje

Počet nití	2, 3 alebo 4
Počet ihiel	2 alebo 1
Rýchlosť šitia	asi 1200 ot./min
Šírka stehu	
vpravo:	3,0 - 4,5 mm
vľavo:	5,2 - 6,7 mm
Dĺžka stehu	1 - 4 mm
Ihly	HA x 1 č. 11-14 alebo 130/705 č. 75-90
Príkon :	90 W
Menovité napätie:	220 - 240 V ~, 50 Hz
Trieda ochrany :	II 

Hladina hluku je za normálnych prevádzkových podmienok 78 dB(A).

Pedál

S týmto šijacím strojom používajte len dodaný pedál:
- ELECTRONIC FDM Speed Controller
- Typ KD-2902

Opis prístroja

Na prednej roztváracíj strane:

- 1 Držiak nití s vedením
- 2 Kolík cievky
- 3 Vystreďovací adaptér cievky
- 4 Páčka pätky
- 5 Nastavovacie koliesko dĺžky stehu
- 6 Ručné koliesko
- 7 Pripojenie pedála a elektrickej siete
- 8 Sieťový vypínač
- 9 Páčka nastavenia diferenciálneho podávania
- 10 Predný kryt
- 11 Oporná doska palca šírky stehu
- 12 Voľné rameno
- 13 Prepichová doska
- 14 Volič napnutia nite (ľavá ihla)
- 15 Volič napnutia nite (pravá ihla)
- 16 Volič napnutia nite (horný podávač)
- 17 Volič napnutia nite (dolný podávač)

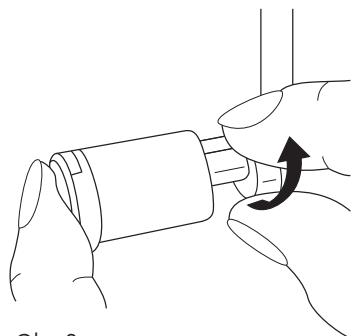
Na zadnej roztváracíj strane:

- 18 pohyblivý horný nôž
- 19 horný podávač
- 20 dolný podávač
- 21 šijacia pätky
- 22 pevný spodný nôž
- 23 prepínač šírky stehu
- 24 nastavovací gombík šírky stehu

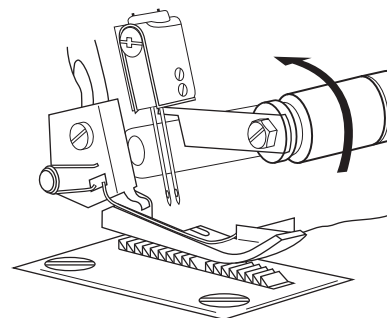
Odstavenie horného noža do pokojovej polohy

Pri niektorých druhoch stehu alebo aby sa nastavovací gombík šírky stehu 24 ľahšie obsluhoval, musíte odstaviť horný nôž 18 do pokojovej polohy.

Potlačte horný nôž 18 doprava a trochu ho otočte, aby pevne sedel (obr. 2 a 3).



Obr. 2



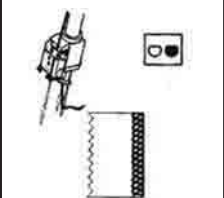
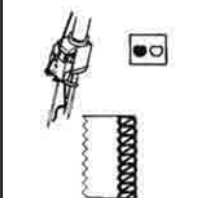
Obr. 3

Informácie o ihlách

Tento stroj používa bežné ihly s plochým driekom pre šijacie stroje. Tým sa zabráni nesprávnemu vloženiu ihly. Tieto ihly dostanete v špecializovaných predajniach.

Do stroja môžete vložiť ihly o veľkosti 11 a 14.

Tabuľka vedľa poskytuje stručný prehľad o rozdieloch pri používaní ihly (úplné informácie nájdete v kapitole „Nastavenie šírky stehu“).

Šírka stehu	3,5 mm	5,7 mm
Použitá ihla	pravá	ľavá
Volič napnutia nite	zelený	modrý
		

Horný podávač

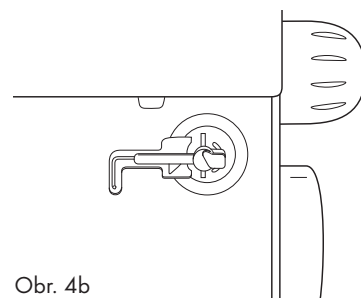
Pri niektorých druhoch stehu potrebujete horný podávač. Kedy ho treba nasadiť, je uvedené pri jednotlivých druhoch stehu.

Zasuňte malý drôt zozadu do očka horného podávača 19 a plastový kolík na druhom konci spredu do otvoru v hornom podávači 19 (obr. 4a).

Nástavec horného podávača môžete skladovať na zásuvnom mieste za predným krytom 10 (obr. 4b).



Obr. 4a



Obr. 4b

Otvorenie predného krytu

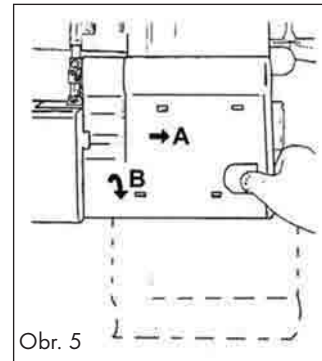
⚠ Pozor!

Vždy vypnite stroj sieťovým vypínačom ⑧, keď otvárate predný kryt ⑩.
Riziko poranenia!

- Posuňte predný kryt ⑩ doprava (A) a potom ho potiahnite k sebe (B) (obr. 5). Za predným krytom ⑩ vidíte priestor podávačov.

ⓘ Upozornenie:

Počas šitia musí byť predný kryt ⑩ zatvorený!



Príprava

Postavte stroj s voľným ramenom na stabilný a rovný podklad.

Na pracovisku zabezpečte dobré osvetlenie.

Pripojenie pedála

- Zasuňte zástrčku pedála do prípojky pre pedál ⑦.
- Zasuňte sieťovú zástrčku do zásuvky.

Ak chcete stroj zapnúť, stlačte sieťový vypínač ⑧.

⚠ Pozor!

Vždy keď odídete od stroja alebo pred začatím údržbových prác na ňom vytiahnite sieťovú zástrčku zo zásuvky. Riziko úrazu!

Ovládanie rýchlosti šitia

Rýchlosť šitia sa ovláda pedálom. Rýchlosť šitia sa mení podľa toho, či pedál stláčate viac alebo menej.

Bezpečnostný spínač

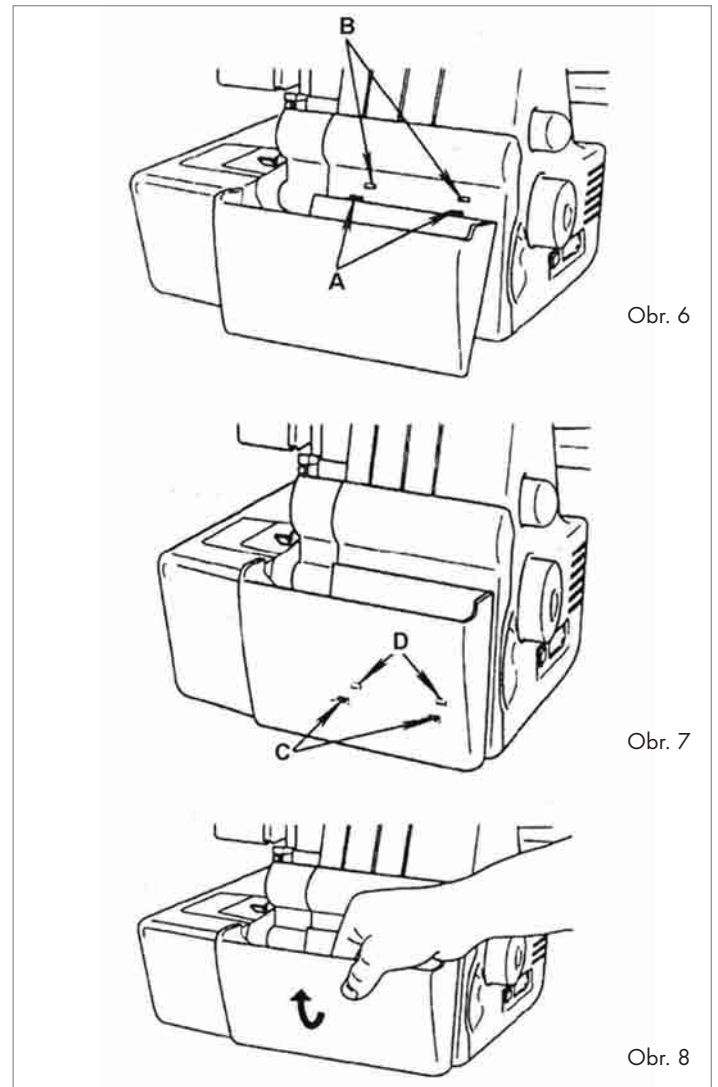
Tento stroj je vybavený bezpečnostným mikrospínačom. Nemôžete ho zapnúť, keď je predný kryt ⑩ otvorený. Pred začatím šitia zatvorte predný kryt ⑩.

Nasadenie nádoby na odstrižky

Nádoba na odstrižky zachytáva pri šití odstrižky, takže pracovisko zostáva čisté.

- Najprv posuňte obe poistky (A) do otvorov (B) (obr. 6).
- Potom zaveďte obe poistky (C) do otvorov (D) (obr. 7).

- Ak chcete nádobu na odstrižky vybrať, vytiahnite ju dopredu a mierne ju pritom naklopte (obr. 8).



Demontáž ihly

⚠ Pozor!

Pred výmenou ihly vytiahnite sieťovú zástrčku. Tým zabránite nechcenému spusteniu stroja. Inak hrozí nebezpečenstvo poranenia!

Tip

Ihly sa ľahšie vymieňajú, ak najprv voľné rameno odmontujete (obr. 9a)!

1. Otáčajte ručným kolieskom **6** k sebe, až sa ihly dostanú do najvyššej polohy (obr. 9b).
2. Malým skrutkovačom natoľko uvoľnite skrutku ihly, aby sa ihla uvoľnila (obr. 10).
3. Vyberte ihlu.

Nasadenie ihly

⚠ Pozor!

Pred výmenou ihly vytiahnite sieťovú zástrčku. Tým zabránite nechcenému spusteniu stroja. Inak hrozí nebezpečenstvo poranenia!

1. Držte ihlu sploštenou stranou dozadu.
2. Zasuňte ihlu do držiaka až na doraz.
3. Malým skrutkovačom pevne dotiahnite skrutky ihiel (obr. 10).

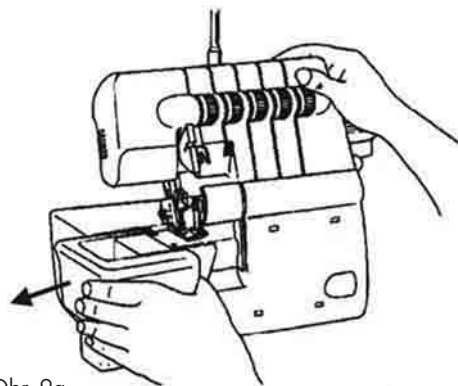
Práca s ručným kolieskom

i Upozornenie:

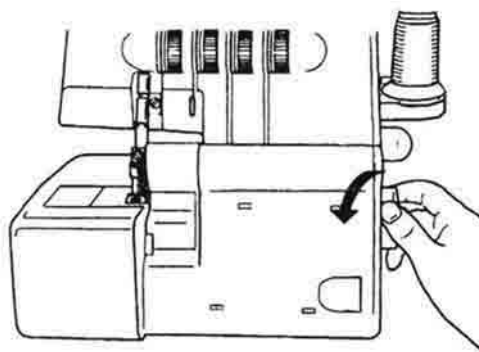
Ručným kolieskom **6** otáčajte vždy len smerom k sebe (obr. 9b).

Nastavenie držiaka nití s vedením

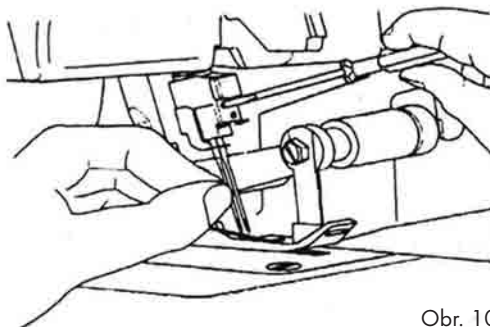
- Pred navliekaním úplne vytiahnite držiak nití s vedením **1** (obr. 11).
- Otočte držiak nití s vedením **1** tak, aby boli vedenia nití presne nad kolíkmi cievok **2**.
- Pri správnom nastavení oba kĺbové diely držiaka nití s vedením **1** počutelne zaklapnú.
- Nasadte cievky na vystreďovacie adaptéry.
Ak nepoužívate priemyselné cievky, dajte vystreďovacie adaptéry dolu. Nasuňte na každú cievku kryt (obr. 12). Ten ich bude pri šití držať na mieste.



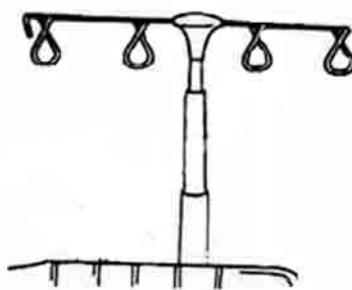
Obr. 9a



Obr. 9b



Obr. 10



Obr. 11



Obr. 12

Navliekanie

ⓘ **Upozornenie:**

Pri dodaní sú už z výroby všetky 4 nite navlečené. So šitím môžete začať ihneď. Keď chcete nite vymeniť a všetky 4 sú ešte navlečené, postupujte tak, ako je uvedené v kapitole „Výmena nití (viazanie)“.

Ak musíte nite navliecť celkom nanovo, postupujte tak, ako je opísané v tejto kapitole („Navliekanie“).

Všeobecné pokyny pre navliekanie

⚠ **Pozor!**

Pred navliekaním dajte sieťový vypínač ⑧ vždy do polohy „O“ (VYP) a vyťahnite sieťovú zástrčku. Tým zabránite nechcenému spusteniu stroja. Inak hrozí nebezpečenstvo poranenia!

Správne navliečenie je dôležité pre to, aby boli stehy rovnomerné a niť sa netrhala.

Za predným krytom ⑩ je diagram s návodom na navliekanie. Okrem toho sú vedenia nití označené rôznymi farbami.

V škatuli s príslušenstvom je pinzeta, ktorá uľahčuje navliekanie.

Navliekanie sa robí v tomto poradí (obr. 13/14):

1. Prvý krok: Niť horného podávača (modrý)
2. Druhý krok: Niť dolného podávača (žltý)
3. Tretí krok: Niť pre pravú ihlu (zelený)
4. Štvrtý krok: Niť pre ľavú ihlu (modrý)

ⓘ **Upozornenie:**

Keď sú všetky nite navlečené a uvoľní sa niť dolného podávača, postupujte takto:

- Vytiahnite obe nite ihly.
 - Potom navlečte niť dolného podávača.
 - Až potom znova navlečte nite oboch ihliel.
- Ihly musia byť navlečené vždy ako posledné!

Pre zjednodušenie sú jednotlivé kroky na obrázkoch očíslované.

Navliekanie horného podávača (modrý)

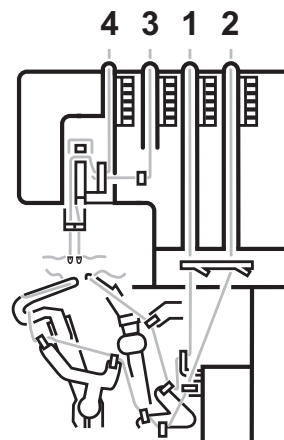
⚠ **Pozor!**

Pred navliekaním dajte sieťový vypínač ⑧ vždy do polohy „O“ (VYP) a vyťahnite sieťovú zástrčku. Tým zabránite nechcenému spusteniu stroja. Inak hrozí nebezpečenstvo poranenia!

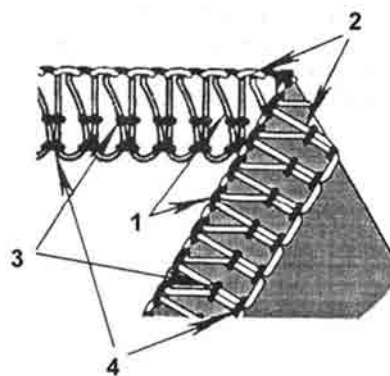
Vždy si pozrite obrázky vedľa.

Obrázok 15 ukazuje dráhu nití horného podávača. Jednotlivé miesta navliekania sú očíslované a ďalej podrobnejšie opísané.

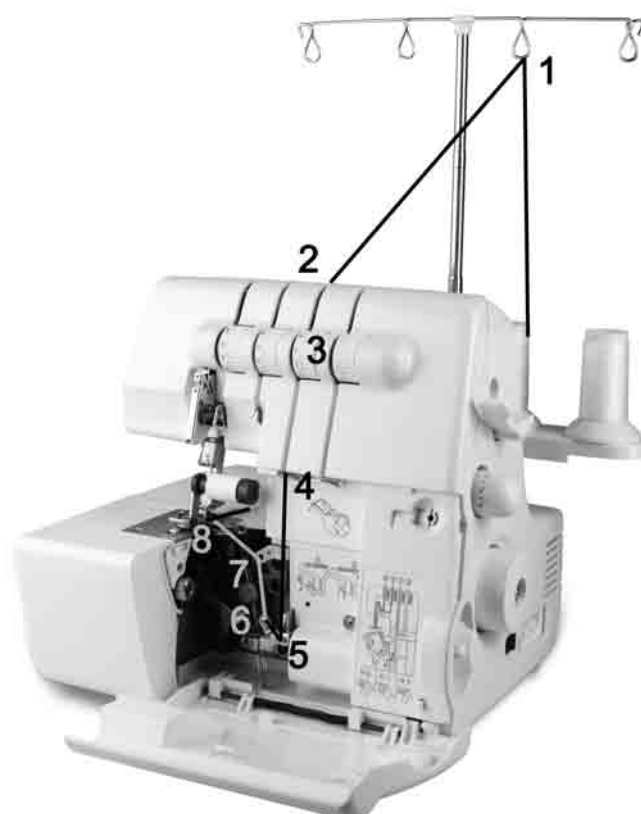
1. Otvorte predný kryt ⑩.
2. Vedte niť zozadu dopredu cez držiak nití s vedením ① (1).



Obr. 13

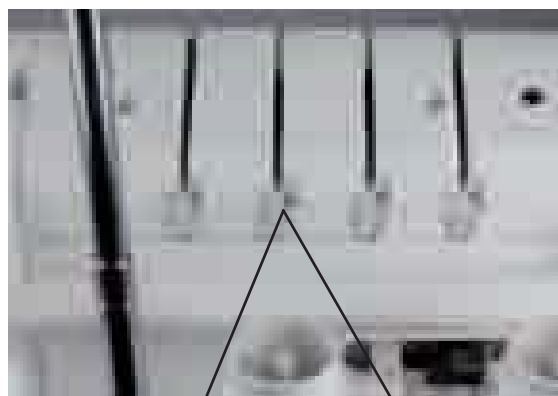


Obr. 14

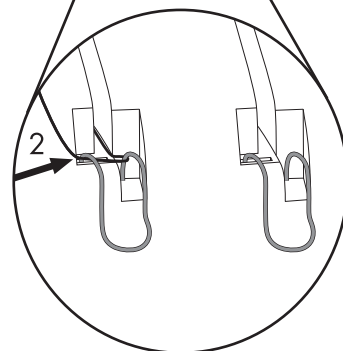


Obr. 15

3. Navlečte niť do vedenia nite tak, že ju potiahnete nadol, až sa dostane pod vedenie nite (2) (obr. 16).



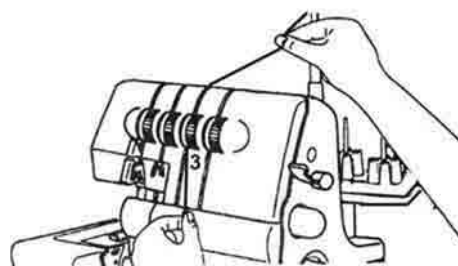
Obr. 16



4. Pevne držte niť prstami, ved'te ju medzi kotúčmi voliča napnutia 16 a potom ju potiahnite nadol (3) (obr. 17).

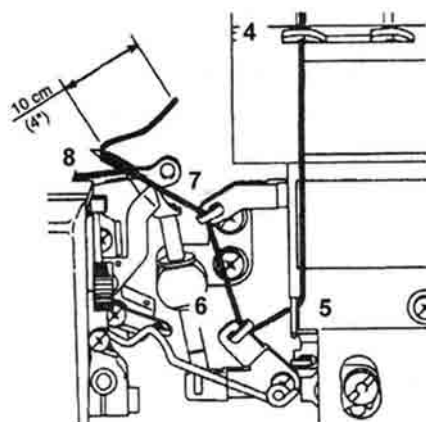
i Upozornenie:

Niť musí správne ležať medzi oboma kotúčmi voliča napnutia 16.



Obr. 17

5. V priestore podávačov navliekajte niť podľa červeného označenia (5 - 7) (obr. 18).
6. Potiahnite niť spredu dozadu cez horný podávač 19 (8).
7. Vytiahnite asi 10 cm nite cez podávač a dajte za prepichovú dosku 13.



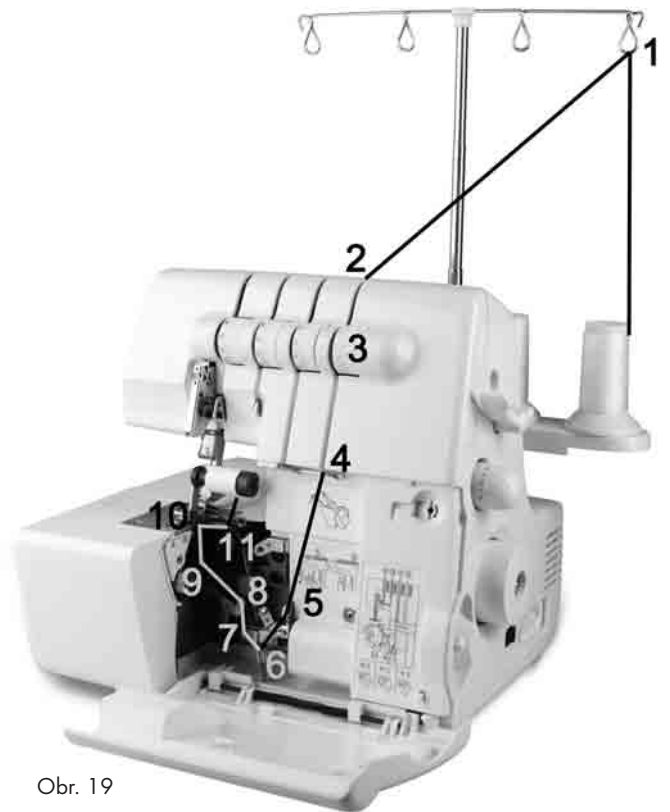
Obr. 18

Navliekanie dolného podávača (žltý)

⚠ Pozor!

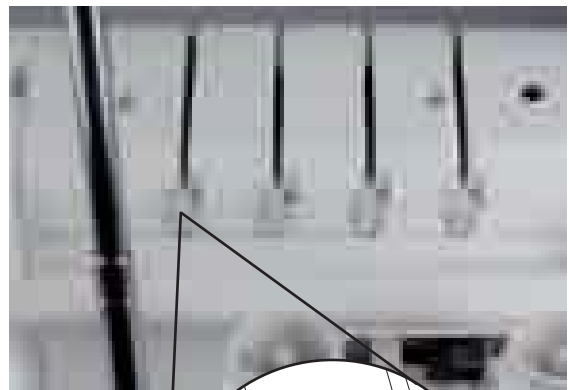
Pred navliekaním dajte sieťový vypínač **8** vždy do polohy „O“ (VYP) a vyťahnite sieťovú zástrčku. Tým zabránite nechcenému spusteniu stroja. Inak hrozí nebezpečenstvo poranenia!

Obrázok 19 ukazuje dráhu nite dolného podávača. Jednotlivé miesta navliekania sú očíslované a ďalej podrobnejšie opísané.



Obr. 19

1. Vedte niť zozadu dopredu cez držiak nite s vedením **1** (1).
2. Navlečte niť do vedenia nite tak, že ju potiahnete nadol, až sa dostane pod vedenie nite (2) (obr. 20).



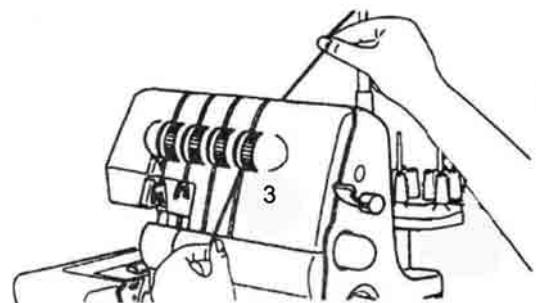
Obr. 20

3. Pevne držte niť prstami, vedte ju medzi kotúčmi voliča napnutia **17** a potom ju potiahnite nadol (3) (obr. 21).

i Upozornenie:

Niť musí správne ležať medzi oboma kotúčmi voliča napnutia **17**.

4. Otočte ručným kolieskom **6** k sebe, až je dolný podávač **20** celkom vpravo.



Obr. 21

5. V priestore podávačov navliekajte niť podľa žltého označenia (4 - 8) (obr. 22).

6. Pevne držte niť pinzetou asi 4 cm pred vedením nite (obr. 23).

7. Zľahka ju ved'te pinzetou zľava pod vedením nite.

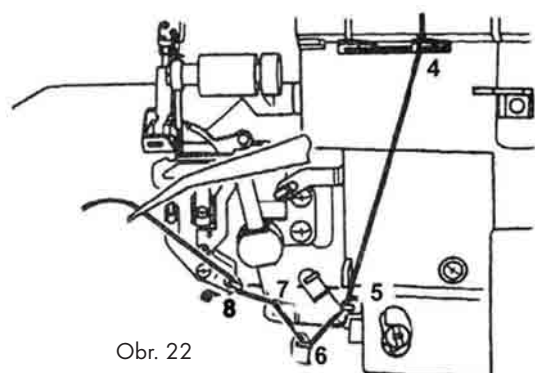
8. Vytiahnite niť nahor do vedenia nite (9).

9. Ved'te niť dozadu a cez horný koniec dolného podávača 20 (10-A) (obr. 23).

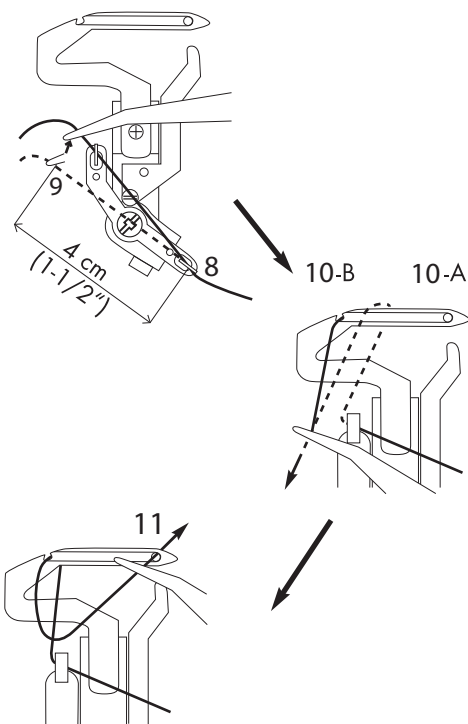
10. Potom vytiahnite niť opatrne nadol tak, aby sa dostala do vyhlbeniny podávača (10-B) (obr. 23). Na tento krok využite nákres, ktorý je na stroji!

11. Ved' niť cez očko podávača (11). Niť má ísť cez drážku dolného podávača 20 (obr. 23).

12. Vytiahnite asi 10 cm nite cez podávač a pretiahnite cez horný podávač 19 a prepichovú dosku 13 dozadu.



Obr. 22



Obr. 23

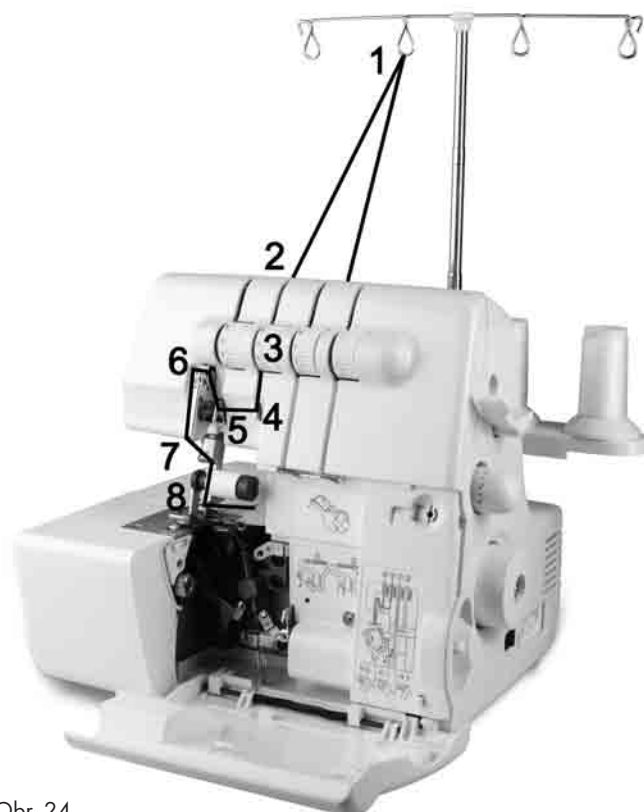
Navliekanie nite pre pravú ihlu (zelený)

⚠ Pozor!

Pred navliekaním dajte sieťový vypínač 8 vždy do polohy „O“ (VYP) a vytiahnite sieťovú zástrčku. Tým zabránite nechcenému spusteniu stroja. Inak hrozí nebezpečenstvo poranenia!

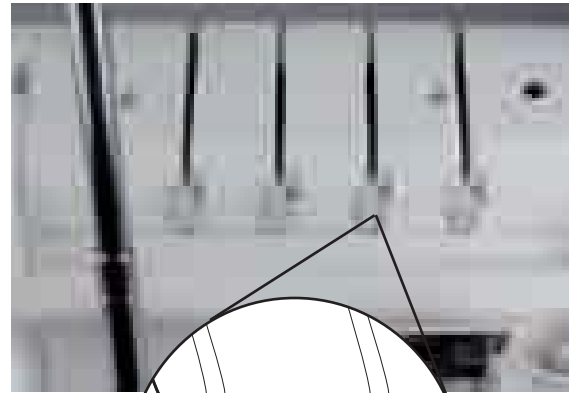
Obrázok 24 ukazuje dráhu nite pravej ihly. Jednotlivé miesta navliekania sú očíslované a ďalej podrobnejšie opísané.

1. Ved'te niť zozadu dopredu cez držiak nití s vedením 1 (1).



Obr. 24

2. Navlečte niť do vedenia nite tak, že ju potiahnete nadol, až sa dostane pod vedenie nite (2) (obr. 25).

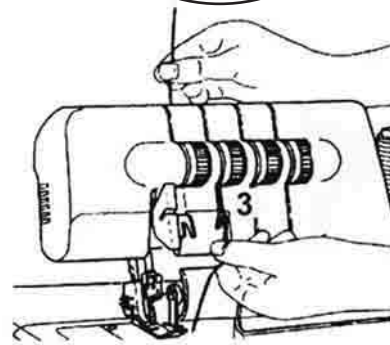


Obr. 25

3. Pevne držte niť prstami, ved'te ju medzi kotúčmi voliča napnutia 15 a potom ju potiahnite nadol (3) (obr. 26).

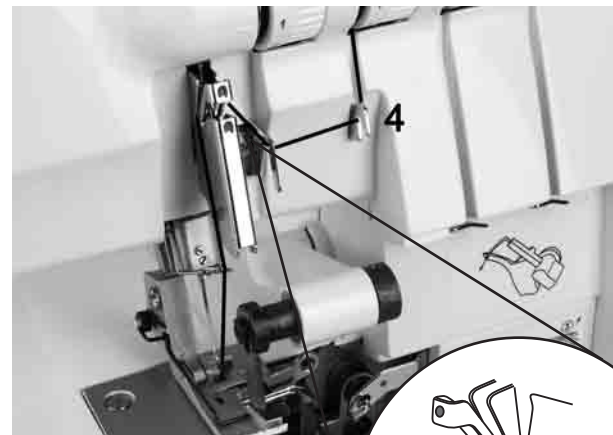
ⓘ Upozornenie:

Niť musí správne ležať medzi oboma kotúčmi voliča napnutia 15.



Obr. 26

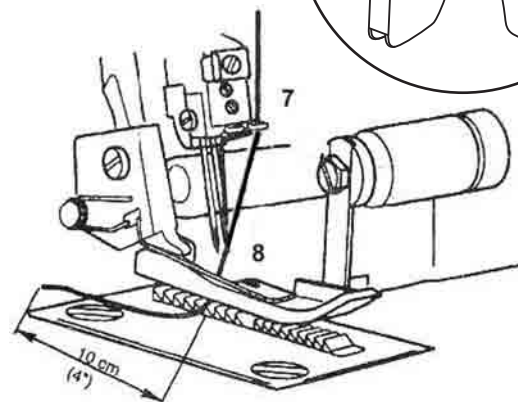
4. Niť navliekajte podľa zeleného označenia (4 - 7) (obr. 27, 28).



Obr. 27

5. Ved'te niť cez pravú ihlu (8) (obr. 28).

6. Pretiahnite niť dozadu pod šijacou pätkou 21.



Obr. 28

Navliekanie nite pre ľavú ihlu (modrý)

⚠ Pozor!

Pred navliekaním dajte sieťový vypínač **8** vždy do polohy „O“ (VYP) a vytiahnite sieťovú zástrčku. Tým zabránite nechcenému spusteniu stroja. Inak hrozí nebezpečenstvo poranenia!

Obrázok 29 ukazuje dráhu nite ľavej ihly. Jednotlivé miesta navliekania sú očíslované a ďalej podrobnejšie opísané.

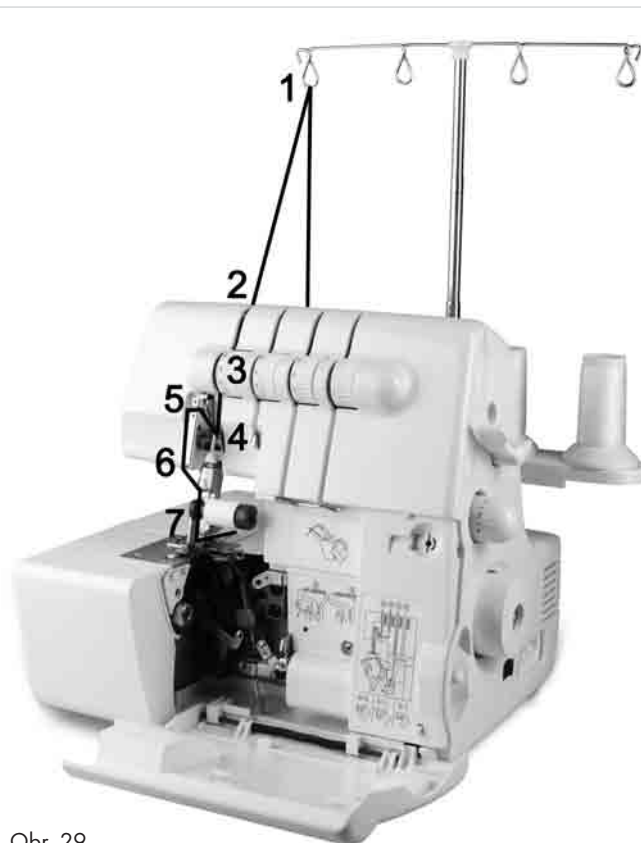
1. Ved'te niť zozadu dopredu cez držiak nití s vedením **1** (1).

2. Navleč'te niť do vedenia nite tak, že ju potiahnete nadol, až sa dostane pod vedenie nite (2) (obr. 30).

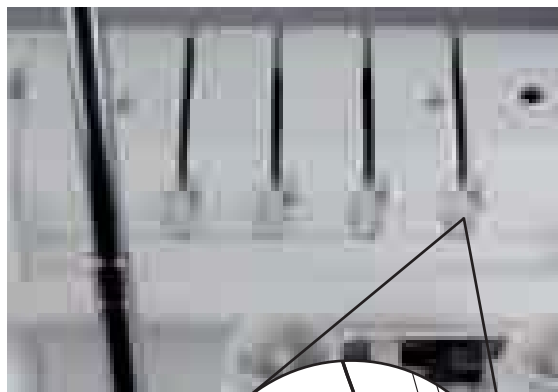
3. Pevne drž'te niť prstami, ved'te ju medzi kotúčmi voliča napnutia **14** a potom ju potiahnite nadol (3) (obr. 31).

i Upozornenie:

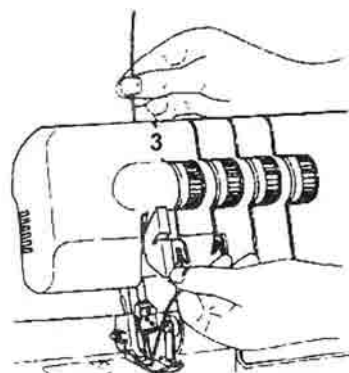
Niť musí správne ležať medzi oboma kotúčmi voliča napnutia **14**.



Obr. 29

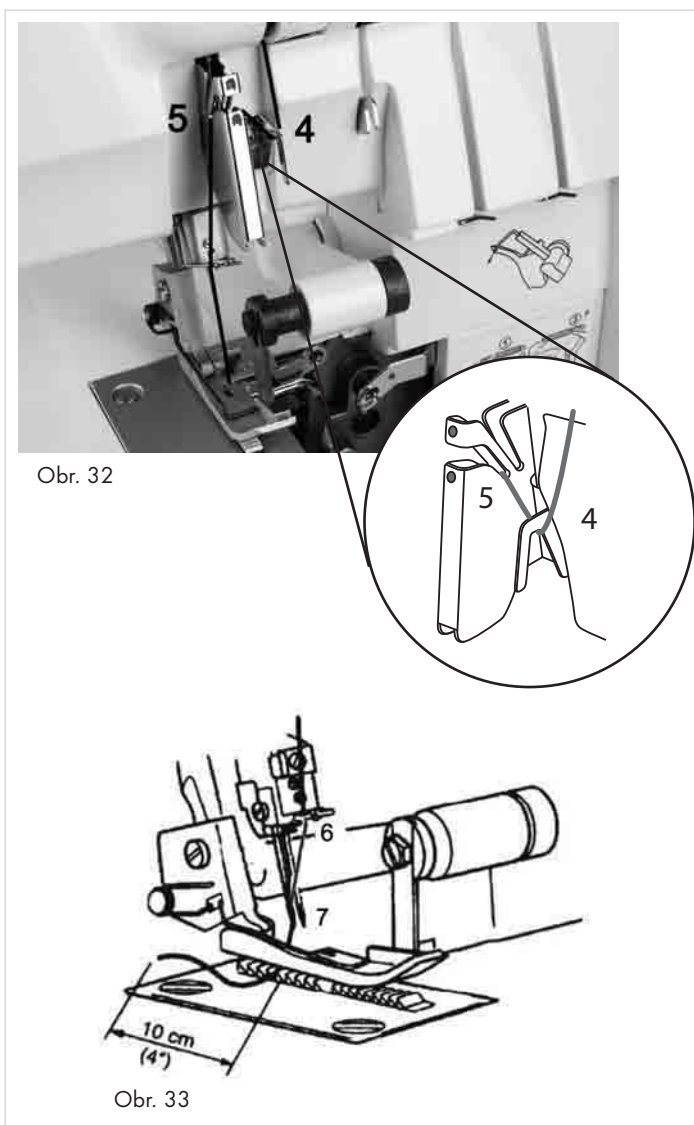


Obr. 30



Obr. 31

4. Niť navliekajte podľa modrého označenia (4 - 6) (obr. 32, 33).



5. Vedzte niť cez ľavú ihlu (7) (obr. 33).

6. Pretiahnite niť dozadu pod šijacou pätkou ②.

Skúšobné šitie

Keď po prvýkrát navliekate niť alebo po jej roztrhnutí ju musíte znova navliecť, postupujte takto:

Zdvihnite šijaciu pätku ②.

Podržte konce nite medzi špičkami prstov ľavej ruky, pomaly otočte ručné koliesko ⑥ dva až trikrát k sebe a znova skontrolujte niť.

Vložte skúšobnú látku pod šijaciu pätku ② a pomaly začnite šiť.

Látka sa bude automaticky podávať.

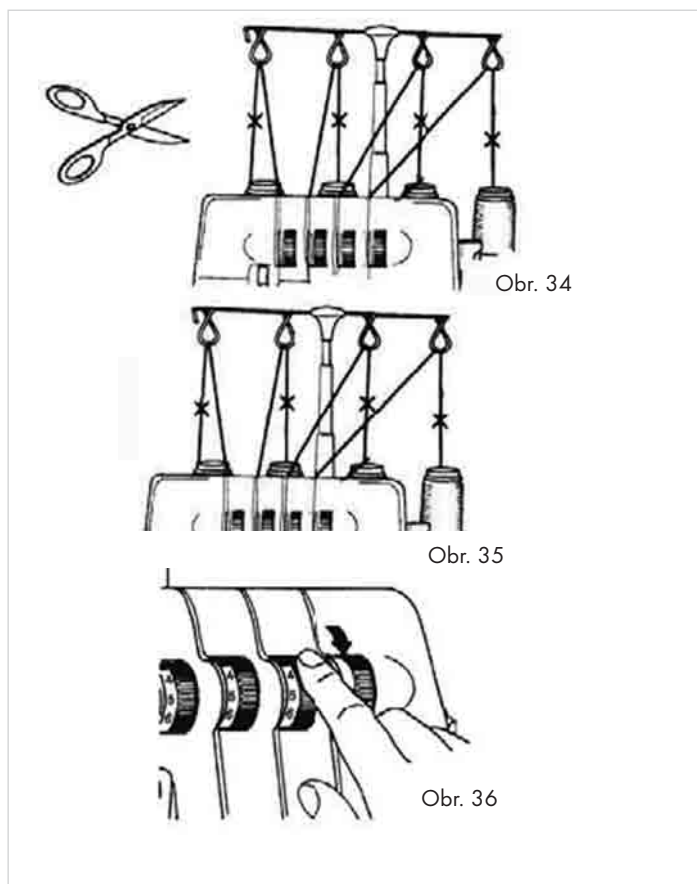
Po skončení práce šite ďalej, kým sa nevytvorí asi 5 cm dlhá reťiazka nite na konci látky.

Nožnicami odstrihnite nite.

Výmena nite (viazanim)

Podľa nasledujúceho postupu je výmena nite celkom jednoduchá:

1. Odrežte niť nad kolíkom cievky ❷ (obr. 34) a nasadte novú cievku s niťou na kolík cievky ❷.
2. Zviažte konce starej a novej nite spolu (obr. 35).
3. Nastavte voliče napnutia nite ❶, ❷, ❸, ❹ na „0“ (obr. 36) a zdvihnite šijaciu pätku ❺.
4. Ťahajte druhý koniec nite, až uzol prejde pod šijacou pätkou ❺.
5. Pri navliekaní do ihliel ťahajte druhý koniec, až je uzol v ušku ihly a odrežte niť vľavo a vpravo od uzla. Potom znova navlečte.



Nastavenie dĺžky stehu

Dĺžka stehu sa dá nastaviť v krokoch od 1,0 do 4,0 mm. Takmer všetky overlokové práce sa robia s dĺžkou stehu 2,5 – 3,5 mm. Otáčaním nastavovacieho kolieska dĺžky stehu ❶ (obr. 37) nastavte dĺžku stehu:

- Pre väčšinu šitia odporúčame nastaviť dĺžku stehu na 3 mm.
- Na prácu s ťažkými látkami odporúčame dĺžku stehu 4 mm.
- Na prácu s ľahkými látkami odporúčame dĺžku stehu 2 mm.

S týmito nastaveniami budú šviki správne a látka nebude zvlnená.

Nastavenie šírky stehu

Šírka stehu sa dá nastaviť zmenou polohy ihly alebo pomocou nastavovacieho gombíka šírky stehu ❷.

... pomocou pravej alebo ľavej ihly

Šírku stehu možno nastaviť pomocou ľavej alebo pravej ihly.

- Len ľavá ihla sa použije: 5,7 mm
- Len pravá ihla sa použije: 3,5 mm



... otáčaním nastavovacieho gombíka šírky stehu

Nastavovacím gombíkom šírky stehu 24 sa dá šírka stehu nastaviť v nižšie uvedenom rozsahu.

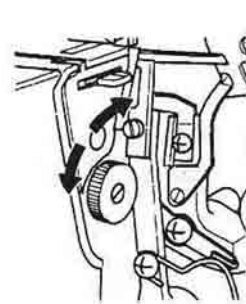
- Len ľavá ihla sa použije: 5,2 - 6,7 mm
- Len pravá ihla sa použije: 3,0 - 4,5 mm

Nastavenie nastavovacieho gombíka šírky stehu

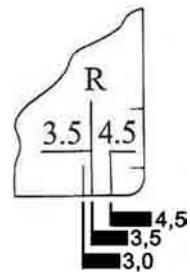
⚠ Pozor!

Pred zmenou nastavenia gombíka šírky stehu 24 dajte sieťový vypínač 8 vždy do polohy „O“ (VYP). Tým zabránite nechcenému spusteniu stroja a možným úrazom!

- Otvorte predný kryt 10. Tak sa dá toto nastavenie ľahšie urobiť.
- Otočte nastavovací gombík šírky stehu 24 na požadovanú šírku (obr. 38). Riadte sa pritom podľa stupnice na prepichovej doske 18 (obr. 39).



Obr. 38



Obr. 39

Nastavenie tlaku pätky

Pri dodaní (z výroby) je tlak pätky nastavený na stredne ťažké materiály. Ak používate ťažšie alebo ľahšie materiály, nastavte tlak pätky takto:

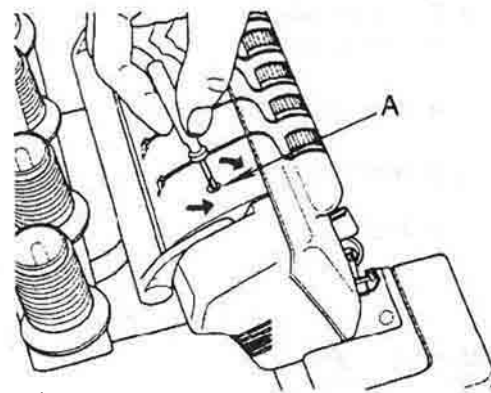
- Pre ľahké látky treba tlak zmenšiť.
- Pre ťažké látky treba tlak zväčšiť.

Vložte menší skrutkovač do otvoru na hornej strane stroja (obr. 40). Tu je skrutka na nastavenie tlaku (A). Zabezpečte, aby bol skrutkovač v záreze nastavovacej skrutky (B) (obr. 41).

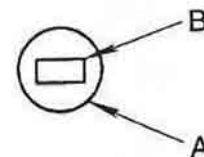
- Otáčaním skrutkovača smerom k „+“ budete tlak zvyšovať.
- Otáčaním skrutkovača smerom k „-“ budete tlak znižovať.

i Upozornenie:

Ak chcete znova nastaviť štandardný tlak z výroby, otočte nastavovaciu skrutku tlaku pokiaľ to až pôjde proti smeru hodinových ručičiek (-). Potom ju otočte o 6 otáčok v smere hodinových ručičiek (+). Štandardný tlak pätky máte znova nastavený.



Obr. 40



Obr. 41

Diferenciálne podávanie

Princíp činnosti

Stroj má dve zostavy ozubených posúvačov, jednu vpredu a jednu vzadu. Obe zostavy sa pohybujú nezávisle od seba. Pomocou diferenciálneho podávania sa môžu oba ozubené posúvače pohybovať rôznymi rýchlosťami.

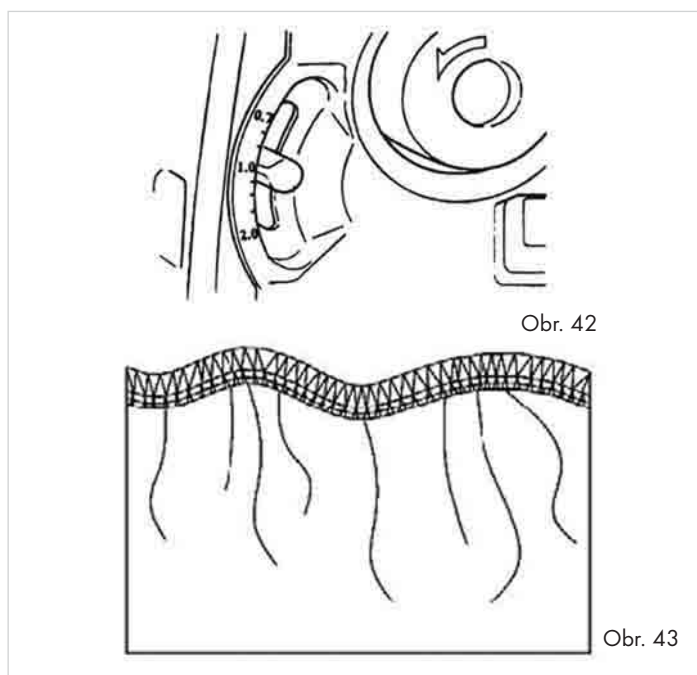
Tým sa šitá látka naťahuje alebo naberá, podľa toho, aký je nastavený rozdiel v podávaní ozubených posúvačov vpredu a vzadu.

Pomocou diferenciálneho podávania sa dajú doceliť zaujímavé efekty pri šití overlokovým stehom na elastických materiáloch a šikmo strihaných textíliách (obr. 43).

i Upozornenie:

Keď je páčka diferenciálneho podávania **9** v polohe „1.0“, zodpovedá do diferenciálnemu pomeru 1:1. Oba ozubené posúvače sa pohybujú rovnakou rýchlosťou (obr. 42).

Páčka diferenciálneho podávania **9** sa dá nastaviť v rozsahu 1:0,7 až 1:2,0.



Naberaný overlokový steh - nastavenie

Naberaný overlokový steh sa hodí na naberané rukávy, horné časti zadných dielov, lemy sukni apod. z elastických materiálov, ako sú pleteniny a žerzej. Pred zošitím jednotlivých dielov sa má nariasif.

- Nastavte páčku diferenciálneho podávania **9** na vyššiu hodnotu než 1,0 (obr. 44). Presné nastavenie závisí od použitej látky a požadovaného nazberkania.

Preto si vždy urobte skúšku šitia, aby ste si overili nastavenie.

Elastický overlokový steh - nastavenie

Elastický overlokový steh sa hodí na zvlnené efekty na ozdobných límcoch, rukávoch, lemoch sukni a pod. z jemnej elastickej látky a z pleteniny.

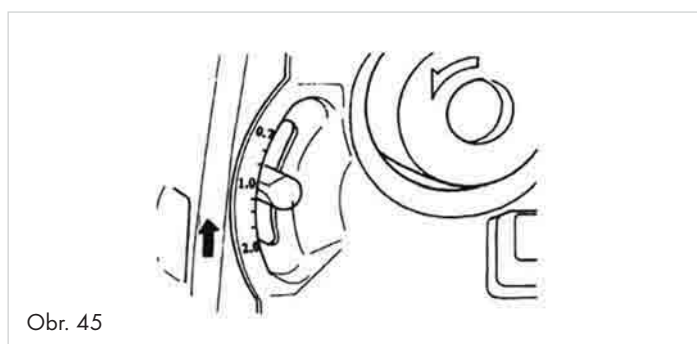
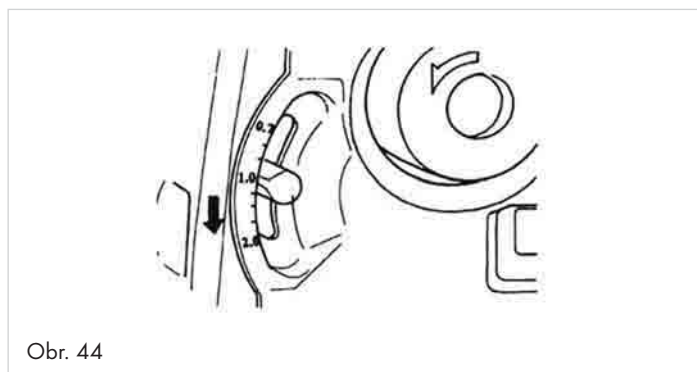
- Nastavte páčku diferenciálneho podávania **9** na nižšiu hodnotu než 1,0 (obr. 45). Presné nastavenie závisí od použitej látky a požadovaného zvlnenia.

Preto si vždy urobte skúšku šitia, aby ste si overili nastavenie.

- Zľahka napnite látku pred a za šijacou pätkou **2**.

i Upozornenie:

Ak ste nastavili koliesko dĺžky stehu **5** na hodnotu „3“ alebo vyššiu, toto nastavenie sa automaticky vráti na „3“, ak dáte páčku diferenciálneho podávania **9** na hodnotu 2.0.



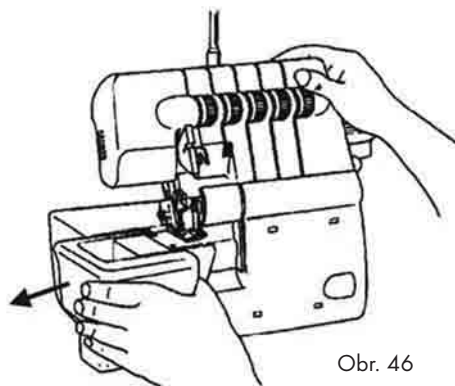
Šitie s voľným ramenom

Ak potrebujete šiť na ťažko prístupných miestach textílií, ako sú napríklad rukávy alebo nohavicové diely, dajte dolu kryt voľného ramena.

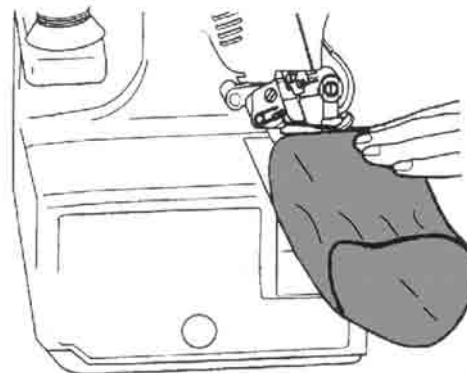
- Ak je nádoba na odrezky namontovaná na stroji, dajte ju dolu.
- Posuňte kryt voľného ramena doľava a stiahnite ho (obr. 46).

- Teraz môžete natiahnuť látku na voľné rameno 12 a šiť (obr. 47).

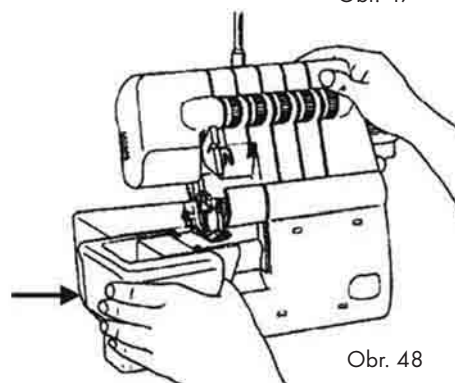
- Ak chcete nasadiť kryt voľného ramena späť, nasuňte ho na voľné rameno 12 natoľko, až zaklapne a pevne drží (obr. 48).



Obr. 46



Obr. 47



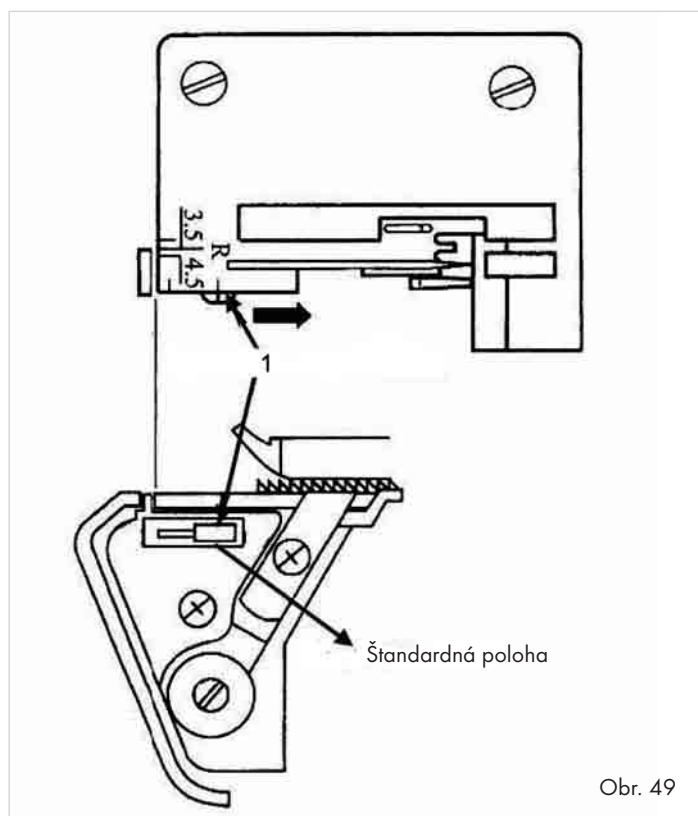
Obr. 48

Šitie s voľným ramenom

- Otvorte predný kryt ⑩.
- Posuňte prepínač šírky stehu ②③ na „S“, aby sa palec šírky stehu vysunul (1) (obr. 49).

ⓘ **Upozornenie:**

Prepínač šírky stehu ②③ musí byť posunutý až na doraz. Inak by boli stehy nečisté.



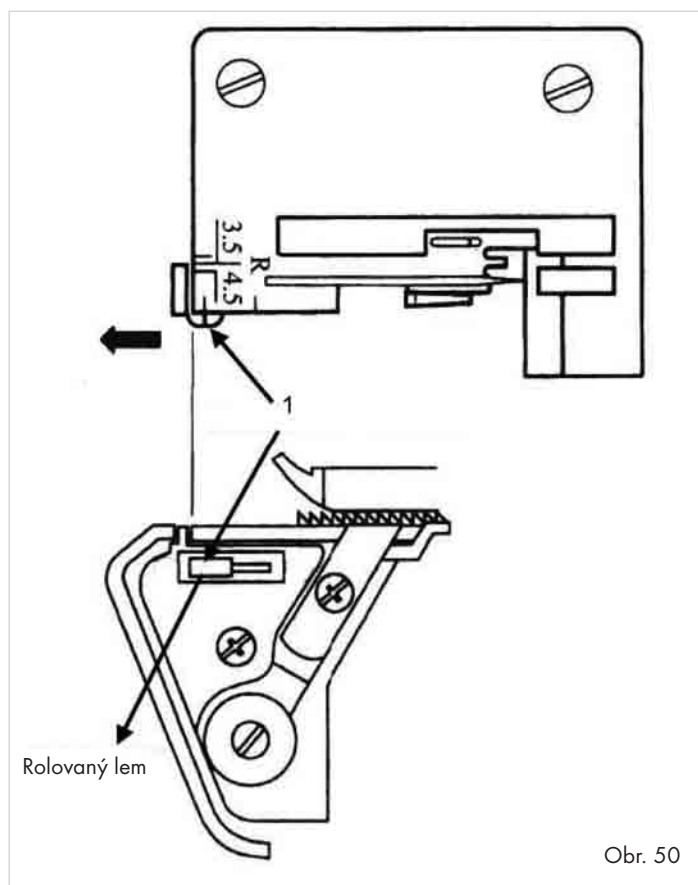
Obr. 49

Rolované lemy

- Otvorte predný kryt ⑩.
- Posuňte prepínač šírky stehu ②③ na „R“, aby sa palec šírky stehu zasunul späť (1) (obr. 50).

ⓘ **Upozornenie:**

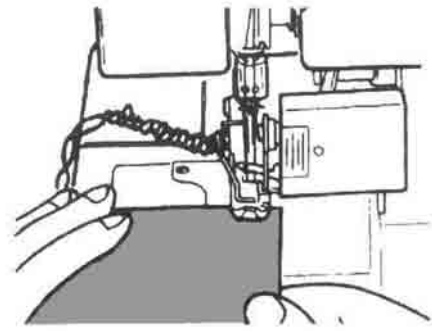
Prepínač šírky stehu ②③ musí byť posunutý až na doraz, inak by boli stehy nečisté.



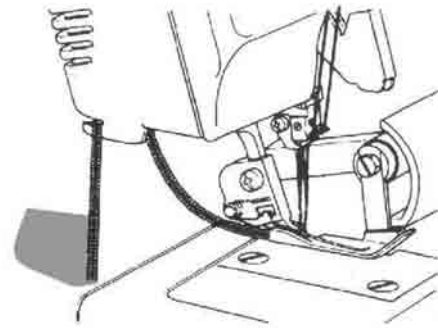
Obr. 50

Retiazkový steh a skúška šitia

- Dajte všetky nite pod šijaciu pätku ② dozadu, mierne doľava na prepichovú dosku ⑬.
- Pevne držte nite mierne napnuté.
- Otočte ručným kolieskom ⑥ 2 až 3 otáčky smerom k sebe, až sa začne tvoriť prázdna retiazka.
- Spusťte šijaciu pätku ② páčkou pätky ④.
- Pevne pridržite prázdnu retiazku a opatrne stlačte pedál, až sa vytvorí retiazka dlhá asi 5 - 7,5 cm.
- Vložte látku spredu pod šijaciu pätku ② a urobte skúšku šitia (obr. 51). V žiadnom prípade pritom neťahajte látku, lebo by sa ihla zohla alebo zlomila.
- Aj po prešití látky šite ďalej asi 15 - 20 cm.
- Prázdnu retiazku odrežte nožom vzadu na stroji (obr. 52).



Obr. 51



Obr. 52

Odporúčané nastavenia napnutia

ⓘ **Upozornenie:**

Všetky údaje o nastaveniach napnutia pre rôzne druhy stehov sú len orientačné. Napnutie je vždy závislé od druhu a hrúbky látky, ihly, ako aj hrúbky, druhu a zloženia materiálu nite.

Preto je bezpodmienečne nutné urobiť skúšku šitia. Len tak uvidíte, či je nastavenie napnutia správne alebo ho treba upraviť.

2-níťový retiazkový overlokový steh

Nákres tohto stehu vidíte na obrázku 53.

Tento steh s jednou ihlou a dvoma níťami sa používa na začisťovanie okrajov ľahkých alebo elastických látok. Zmenou polohy ihly docielite úzky alebo široký retiazkový steh.

Nastavte volič napnutia nite 14 15 16 17 na vhodnú hodnotu (pozri tabuľku) a urobte skúšku s použitým materiálom.

Pre tento druh stehu zasunite nástavec horného podávača do horného podávača 19.

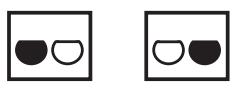
Látka	Napnutie nite			
	modrý	zelený	modrý	žltý
ľahká látka	2,0	-	Nasadiť nástavec horného podávača	0
stredne ťažká látka	2,5	-	Nasadiť nástavec horného podávača	0
ťažká látka	3,5	-	Nasadiť nástavec horného podávača	0,5

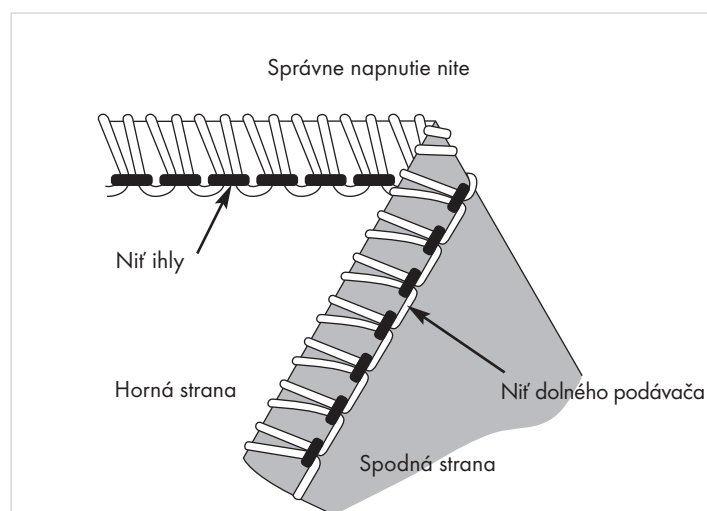
Látka	Napnutie nite			
	modrý	zelený	červený	žltý
ľahká látka	-	1,5	Nasadiť nástavec horného podávača	0,5
stredne ťažká látka	-	1,5	Nasadiť nástavec horného podávača	0,5
ťažká látka	-	3,0	Nasadiť nástavec horného podávača	1,5

Ak je níť dolného podávača napnutá alebo níť ihly príliš voľná (obr. 54):

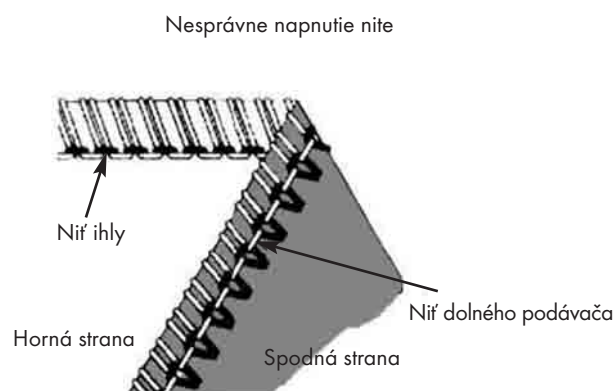
- otočte volič napnutia nite dolného podávača 17 (žltý) na nižšiu číselnú hodnotu alebo...
- otočte volič napnutia nite ihly (modrý 14 alebo zelený 15) na vyššiu číselnú hodnotu.

Ak je níť dolného podávača príliš voľná (obr. 55), otočte volič napnutia nite dolného podávača 17 (žltý) na vyššiu číselnú hodnotu.

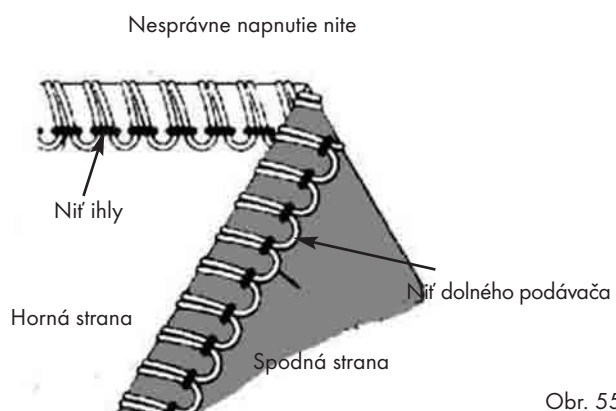
Poloha ihly	
Prepínač šírky stehu	S
Dĺžka stehu	2 - 4
Nástavec horného podávača	nasadiť



Obr. 53



Obr. 54



Obr. 55

2-niřový overlokový steh

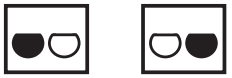
Nákres tohto stehu vidíte na obrázku 56.

Tento steh s jednou ihlou a dvoma niřami sa používa na začisťovanie normálnych látok overlokovým stehom. Ideálny je aj na ploché stehy (spájanie na tupo) a slepé šviki.

Zmenou polohy ihly docielite úzky alebo široký overlokový steh.

Nastavte volič napnutia nite 14 15 16 17 na vhodnú hodnotu (pozri tabuľku) a urobte skúšku s použitým materiálom.

Pre tento druh stehu zasuňte nástavec horného podávača do horného podávača 19.

Poloha ihly	
Prepínač šírky stehu	S
Dĺžka stehu	2 - 4
Nástavec horného podávača	nasadiť

Látka	Napnutie nite			
	modrý	zelený	modrý	žltý
ľahká látka	0,5	-	Nasadiť nástavec horného podávača	1,0
stredne ťažká látka	0,5	-	Nasadiť nástavec horného podávača	1,5
ťažká látka	1,0	-	Nasadiť nástavec horného podávača	1,5

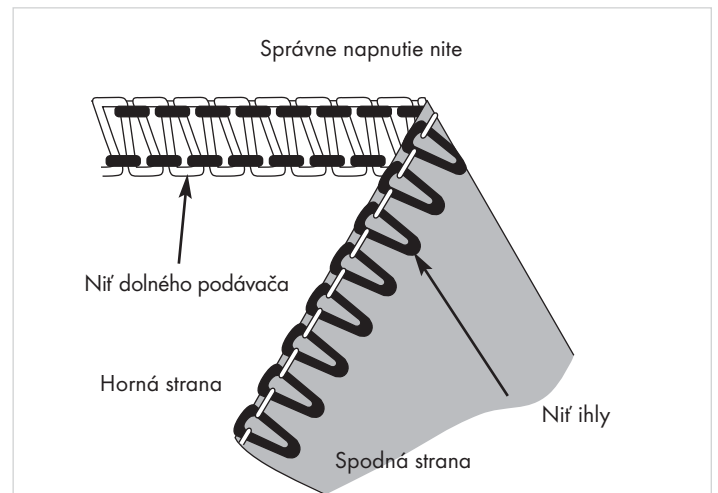
Látka	Napnutie nite			
	modrý	zelený	modrý	žltý
ľahká látka	-	1,0	Nasadiť nástavec horného podávača	3,0
stredne ťažká látka	-	1,5	Nasadiť nástavec horného podávača	3,5
ťažká látka	-	1,5	Nasadiť nástavec horného podávača	3,5

Keď niř dolného podávača leží na spodnej strane látky (obr. 57):

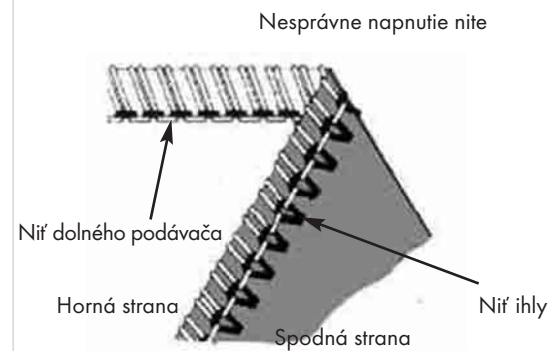
- otočte volič napnutia nite dolného podávača 17 (žltý) na vyššiu číselnú hodnotu alebo...
- otočte volič napnutia nite ihly (modrý 14 alebo zelený 15) na nižšiu číselnú hodnotu.

Keď je niř ihly príliš voľná (obr. 58):

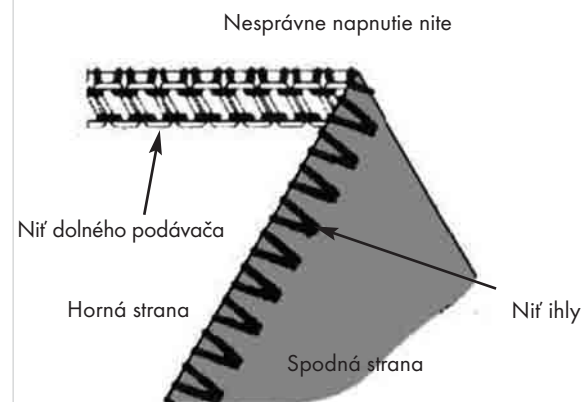
- otočte volič napnutia nite ihly (modrý 14 alebo zelený 15) na vyššiu číselnú hodnotu.
- otočte volič napnutia nite dolného podávača 17 (žltý) na nižšiu číselnú hodnotu.



Obr. 56



Obr. 57



Obr. 58


3-níťový retiazkový steh (overlok)

Nákres tohto stehu vidíte na obrázku 59.

Tento steh s jednou ihlou a tromi níťami sa používa na začisťovanie okrajov normálnych látok overlokovým stehom.

Zmenou polohy ihly docielite úzky alebo široký retiazkový steh.

Nastavte voliče napnutia nite **14** **15** **16** **17** na vhodnú hodnotu (pozri tabuľku) a urobte skúšku s použitým materiálom.

Poloha ihly	
Prepínač šírky stehu	S
Dĺžka stehu	2 - 4
Nástavec horného podávača	netreba

Látka	Napnutie nite			
	modrý	zelený	modrý	žltý
ľahká látka	2,0	-	2,0	1,0
stredne ťažká látka	3,0	-	2,0	1,5
ťažká látka	3,0	-	3,0	1,5

Látka	Napnutie nite			
	modrý	zelený	modrý	žltý
ľahká látka	-	2,0	7,0	2,0
stredne ťažká látka	-	2,5	6,5	2,5
ťažká látka	-	3,5	6,5	2,5

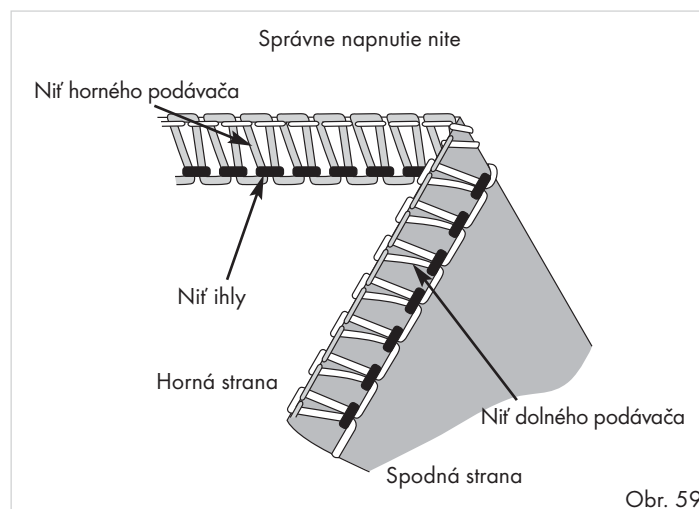
Keď níť horného podávača leží na spodnej strane látky (obr. 60):

- otočte volič napnutia nite horného podávača **16** (modrý) na nižšiu číselnú hodnotu alebo...
- otočte volič napnutia nite dolného podávača **17** (žltý) na nižšiu číselnú hodnotu.

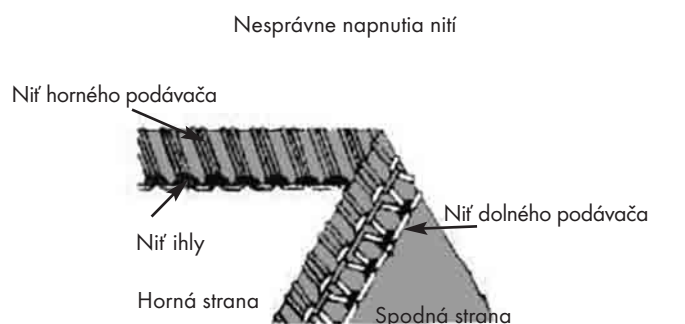
Keď níť dolného podávača leží na hornej strane látky (obr. 61):

- otočte volič napnutia nite dolného podávača **17** (žltý) na vyššiu číselnú hodnotu alebo...
- otočte volič napnutia nite horného podávača **16** (modrý) na nižšiu číselnú hodnotu.

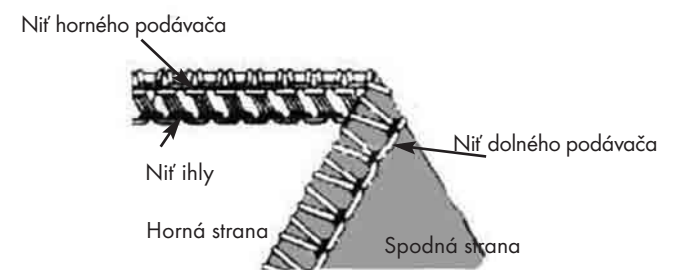
Ak je níť ihly príliš voľná (obr. 62), otočte volič napnutia nite ihly (modrý **14** alebo zelený **15**) na vyššiu číselnú hodnotu.



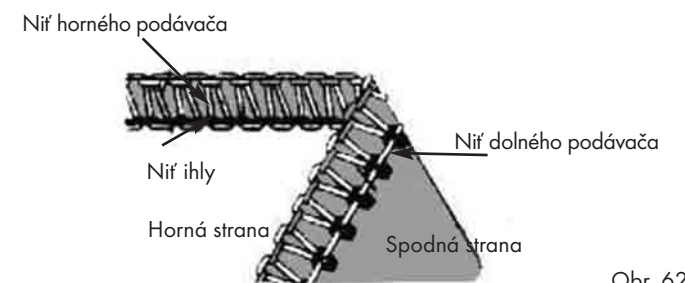
Obr. 59



Obr. 60



Obr. 61



Obr. 62

3-niřový plochý steh

Nákres tohto stehu vidíte na obrázku 63.

Tento steh s jednou ihlou a tromi niřami sa používa na spojovanie na tupo alebo na ozdobné stehy s dekoratívnymi niřami. Zmenou polohy ihly docielite úzky alebo široký plochý steh.

Nastavte voliče napnutia nite **14** **15** **16** **17** na vhodnú hodnotu (pozri tabuľku) a urobte skúšku s použitým materiálom.

Látka	Napnutie nite			
	modrý	zelený	modrý	žltý
ľahká látka	0,5	-	2,5	2,5
stredne ťažká látka	0,5	-	2,0	2,0
ťažká látka	1,0	-	3,0	3,0

Látka	Napnutie nite			
	modrý	zelený	modrý	žltý
ľahká látka	-	0	7,0	4,0
stredne ťažká látka	-	0,5	7,0	4,0
ťažká látka	-	1,0	7,0	4,0

Keď je niř dolného podávača príliš voľná (obr. 64):


- otočte volič napnutia nite dolného podávača **17** (žltý) na vyššiu číselnú hodnotu alebo...
- otočte volič napnutia nite ihly (modrý **14** alebo zelený **15**) na nižšiu číselnú hodnotu.

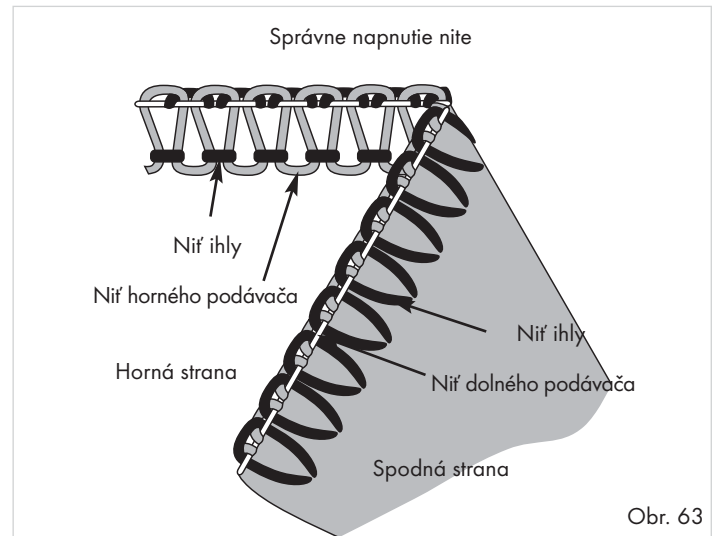
Keď je niř horného podávača príliš voľná (obr. 65):

- otočte volič napnutia nite horného podávača **16** (modrý) na nižšiu číselnú hodnotu alebo...
- otočte volič napnutia nite ihly (modrý **14** alebo zelený **15**) na nižšiu číselnú hodnotu.

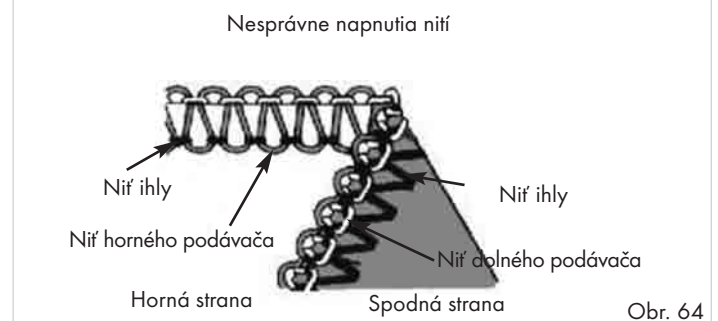
Keď je niř ihly príliš voľná (obr. 66):

- otočte volič napnutia nite ihly (modrý **14** alebo zelený **15**) na vyššiu číselnú hodnotu.
- otočte volič napnutia nite horného podávača **16** (modrý) na nižšiu číselnú hodnotu.

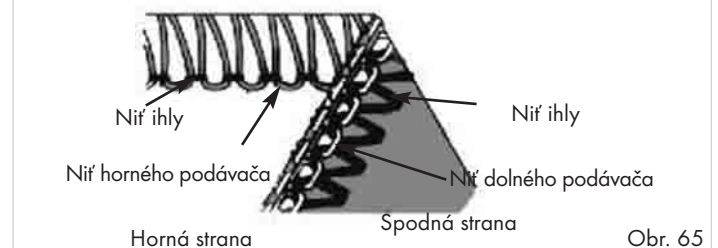
Poloha ihly	
Prepínač šírky stehu	S
Dĺžka stehu	2 - 4
Nástavec horného podávača	netreba



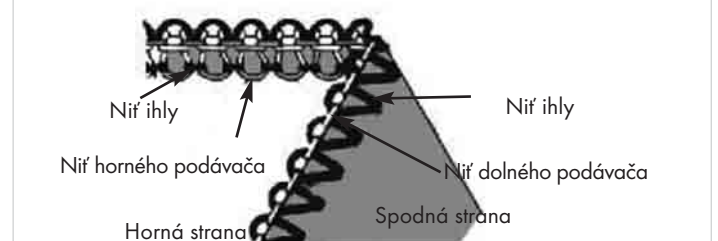
Obr. 63



Obr. 64



Obr. 65



Obr. 66

3-níťový retiazkový overlokový steh

Nákres tohto stehu vidíte na obrázku 67.

Tento steh s jednou ihlou a tromi níťami sa používa napríklad na šitie ozdobných okrajov.

Zmenou polohy ihly docielite úzky alebo široký overlokový steh.

Nastavte voliče napnutia nite **14** **15** **16** **17** na vhodnú hodnotu (pozri tabuľku) a urobte skúšku s použitým materiálom.

Látka	Napnutie nite			
	modrý	zelený	modrý	žltý
ľahká látka	2,0	-	0	4,0
stredne ťažká látka	3,0	-	0,5	6,5
ťažká látka	4,0	-	0,5	7,5

Látka	Napnutie nite			
	modrý	zelený	modrý	žltý
ľahká látka	-	1,5	0	5,0
stredne ťažká látka	-	2,5	1,0	7,0
ťažká látka	-	3,0	1,5	8,0

Keď je níť horného podávača príliš voľná (obr. 68):


- otočte volič napnutia nite horného podávača **16** (modrý) na vyššiu číselnú hodnotu.

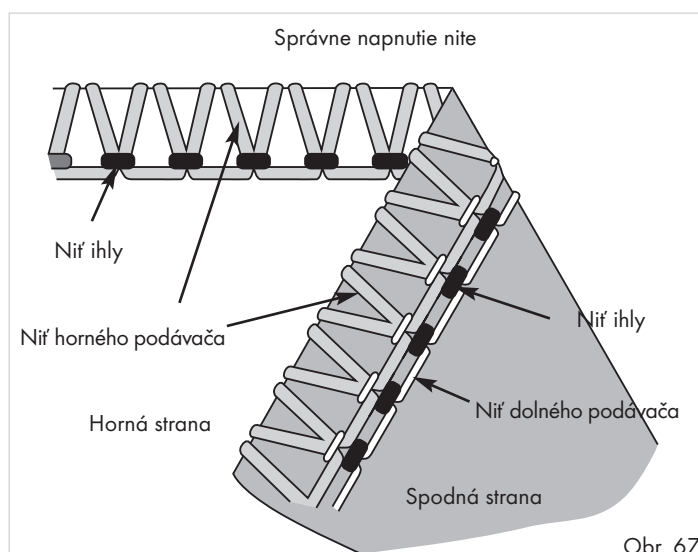
Keď je níť dolného podávača príliš voľná (obr. 69):

- otočte volič napnutia nite dolného podávača **17** (žltý) na vyššiu číselnú hodnotu alebo...
- otočte volič napnutia nite horného podávača **16** (modrý) na nižšiu číselnú hodnotu.

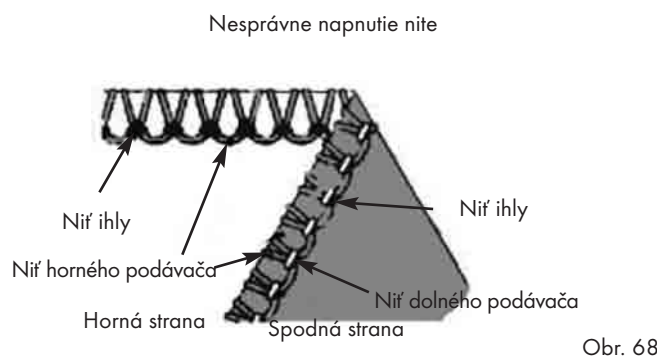
Keď je níť ihly príliš voľná (obr. 70):

- otočte volič napnutia nite ihly (modrý **14** alebo zelený **15**) na vyššiu číselnú hodnotu.
- otočte volič napnutia nite horného podávača **16** (modrý) na nižšiu číselnú hodnotu.

Poloha ihly	
Prepínač šírky stehu	S
Dĺžka stehu	2 - 4
Nástavec horného podávača	netreba



Obr. 67



Obr. 68



Obr. 69



Obr. 70


3-niřový zabezpečovací steh, ultrapružný, imitovaný

Nákres tohto stehu vidíte na obrázku 71.

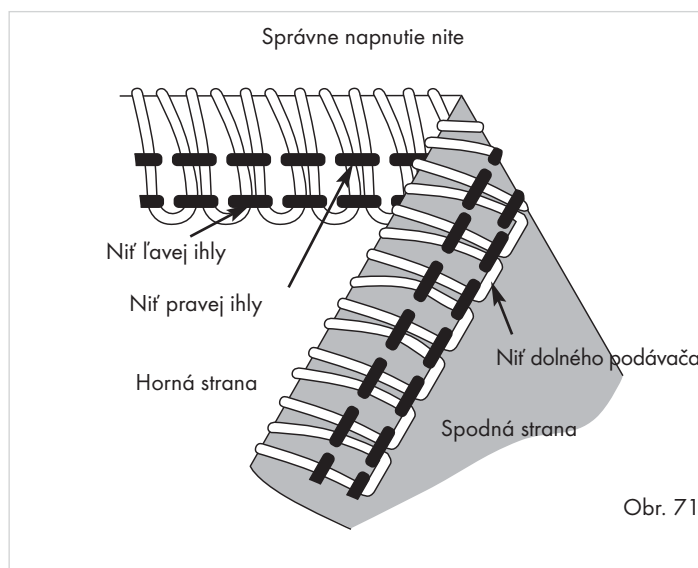
Tento steh s dvoma ihlami a tromi niřami je ideálny na ľahké, mimoriadne elastické látky, ako je trikot alebo elastan.

Nastavte volič napnutia nite 14 15 16 17 na vhodnú hodnotu (pozri tabuľku) a urobte skúšku s použitým materiálom.

Pre tento druh stehu zasunite nástavec horného podávača do horného podávača 19.

Poloha ihly	
Prepínač šírky stehu	S
Dĺžka stehu	2 - 4
Nástavec horného podávača	nasadiť

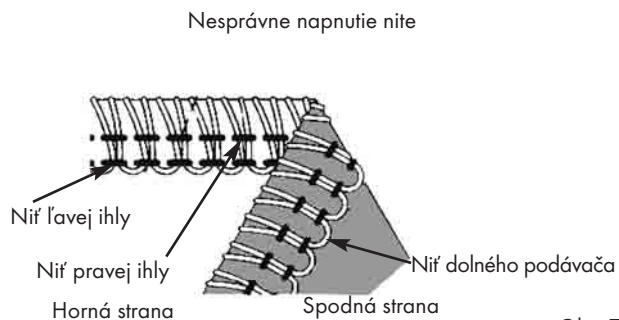
Látka	Napnutie nite			
	modrý	zelený	modrý	žltý
ľahká látka	2,0	1,5	Nasadiť nástavec horného podávača	0
stredne ťažká látka	3,0	2,0	Nasadiť nástavec horného podávača	0,5
ťažká látka	4,0	3,0	Nasadiť nástavec horného podávača	1,0



Obr. 71

Keď je niř dolného podávača príliš voľná (obr. 72):

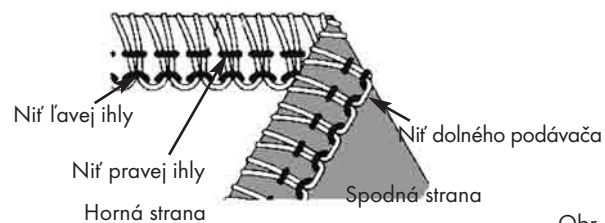
- otočte volič napnutia nite dolného podávača 17 (žltý) na vyššiu číselnú hodnotu.



Obr. 72

Keď je niř ľavej ihly príliš voľná (obr. 73):

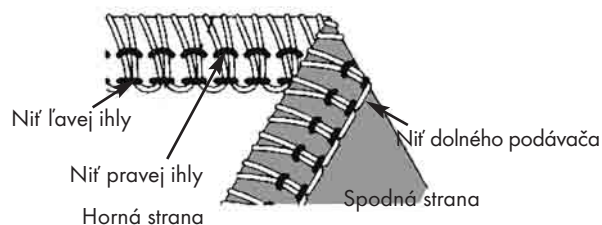
- otočte volič napnutia nite ľavej ihly 14 (modrý) na vyššiu číselnú hodnotu.



Obr. 73

Keď je niř pravej ihly príliš voľná (obr. 74):

- otočte volič napnutia nite pravej ihly 15 (zelený) na vyššiu číselnú hodnotu.



Obr. 74

4-ňíový zabezpečovací steh, ultraprúžný, imitovaný


Nákres tohto stehu vidíte na obrázku 75.

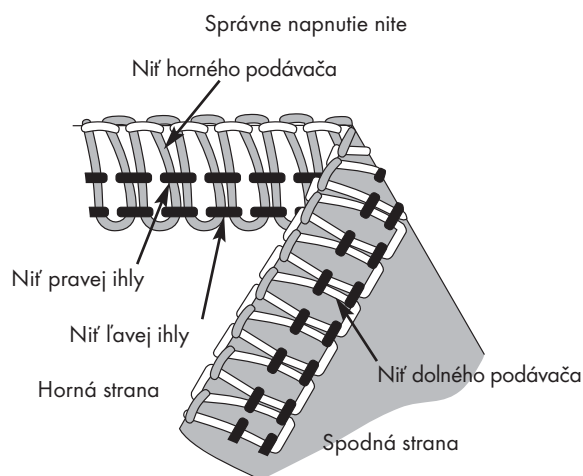
Tento steh s dvoma ihlami a štyrmi ňíami je ideálny na stredné až ťažké elastické látky, ako sú dvojité trikotáže a plavky.

Je preto vhodný na spájanie dvoch látok a zároveň na začisťovanie ich okrajov.

Nastavte volič napnutia nite **14** **15** **16** **17** na vhodnú hodnotu (pozri tabuľku) a urobte skúšku s použitým materiálom.

Látka	Napnutie nite			
	modrý	zelený	červený	žltý
ľahká látka	2,5	2,0	2,5	2,0
stredne ťažká látka	3,0	2,0	3,0	2,0
ťažká látka	4,0	2,5	4,0	2,5

Poloha ihly	
Prepínač šírky stehu	S
Dĺžka stehu	2 - 4
Nástavec horného podávača	netreba



Obr. 75

Keď niť horného podávača leží na spodnej strane látky (obr. 76):

- otočte volič napnutia nite horného podávača **16** (modrý) na nižšiu číselnú hodnotu alebo...
- otočte volič napnutia nite dolného podávača **17** (žltý) na nižšiu číselnú hodnotu.

Keď niť dolného podávača leží na hornej strane látky (obr. 77):

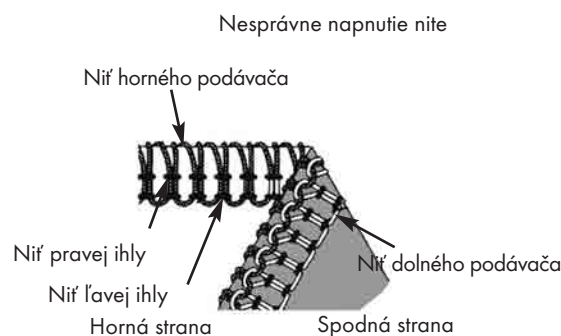
- otočte volič napnutia nite dolného podávača **17** (žltý) na vyššiu číselnú hodnotu alebo...
- otočte volič napnutia nite horného podávača **16** (modrý) na nižšiu číselnú hodnotu.

Keď je niť ľavej ihly príliš voľná (obr. 78):

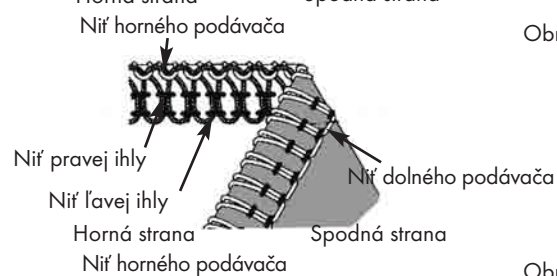
- otočte volič napnutia nite ľavej ihly **14** (modrý) na vyššiu číselnú hodnotu.

Keď je niť pravej ihly príliš voľná (obr. 79):

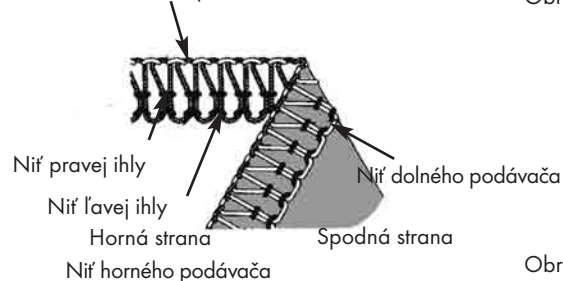
- otočte volič napnutia nite pravej ihly **15** (zelený) na vyššiu číselnú hodnotu.



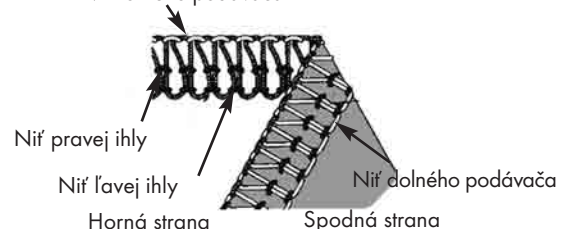
Obr. 76



Obr. 77



Obr. 78



Obr. 79

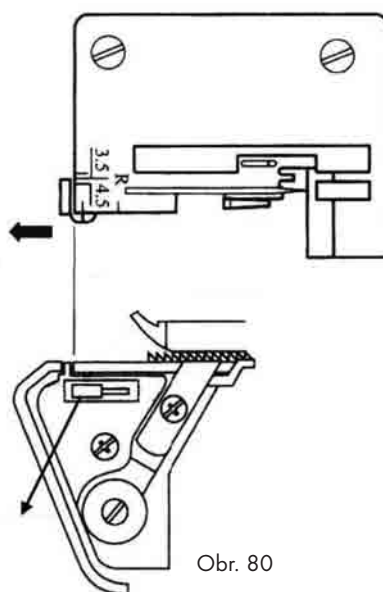
Rolované lemy

Týmto strojom sa dajú šiť štyri rôzne druhy rolovaných lemov. Pri šití rolovaných lemov sa okraj látky prehne a obšije overlokovým stehom. Tento druh lemu sa najlepšie hodí na ľahké látky, ako je batist, šifón, organza a pod. Ťažké látky alebo pevné tkaniny sa na rolované lemy nehodia.

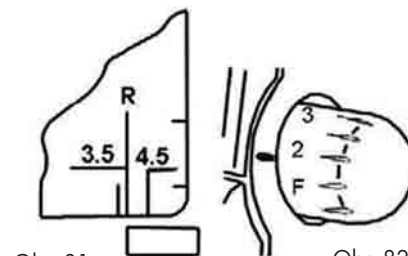
- Odstráňte ľavú ihlu.
- Nastavte prepínač šírky stehu ⑫ na „R“ (obr. 80).
- Otáčaním nastavovacieho gombíka šírky stehu ⑭ zarovnajzte opornú dosku palca šírky stehu so značkou „R“ na prepichovej doske (obr. 81).
- Nastavovacie koliesko dĺžky stehu ⑤ nastavte na „F - 2“ (obr. 82). Tým dosiahnete jemný steh.
- Na rolované lemy použite ihlu kat. č. 14.

① Pokyny:

- Na rolované lemy môžete použiť najrôznejšie kombinácie nití. Ak chcete dosiahnuť obzvlášť pekný rolovaný lem (3-niřový), použite vlnenú nylonovú niř pre horný podávač a normálnu niř pre ihly a dolný podávač. Pre 2-niřový rolovaný lem použite vlnenú nylonovú niř pre dolný podávač a normálnu niř pre ihlu.
- Na začiatku pevne držte prázdnu retiazku, aby sa nemohla zatiahnuť do švika.
- Mierne napnite materiál v smere šitia. Potom bude švík jemnejší.
- Pred tým než odstrihnete prázdnu retiazku pri látke, dajte na švík malú kvapku lepidla na textil a nechajte ju vyschnúť. Najprv ale vyskúšajte správnosť farby na látke.



Obr. 80



Obr. 81



Obr. 82

3-niřový rolovaný lem

Nákres tohto stehu vidíte na obrázku 83.

Niř horného podávača	Napnutie nite			
	modrý	zelený	modrý	žltý
Polyester	-	2,0	7,5	3,0
Vlnená nylonová niř	-	2,0	2,0	2,0

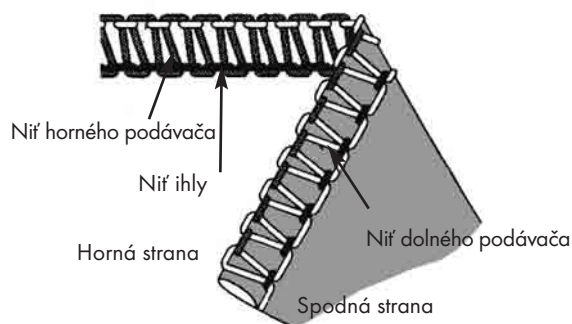
Nastavte voliče napnutia nite ⑮ ⑯ ⑰ na vhodnú hodnotu (pozri tabuľku) a urobte skúšku s použitým materiálom.

3-niřový overlokový rolovaný lem s horným podávačom

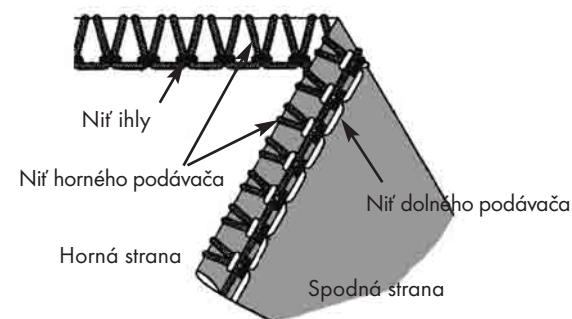
Nákres tohto stehu vidíte na obrázku 84. Nastavte voliče napnutia nite ⑮ ⑯ ⑰ na vhodnú hodnotu (pozri tabuľku) a urobte skúšku s použitým materiálom.

Niř horného podávača	Napnutie nite			
	modrý	zelený	modrý	žltý
Polyester	-	2,0	5,5	7,0
Vlnená nylonová niř	-	2,0	0	2,5

Poloha ihly	
Prepínač šírky stehu	R
Dĺžka stehu	F - 2
Nástavec horného podávača	netreba



Obr. 83



Obr. 84


2-niřový rolovaný lem

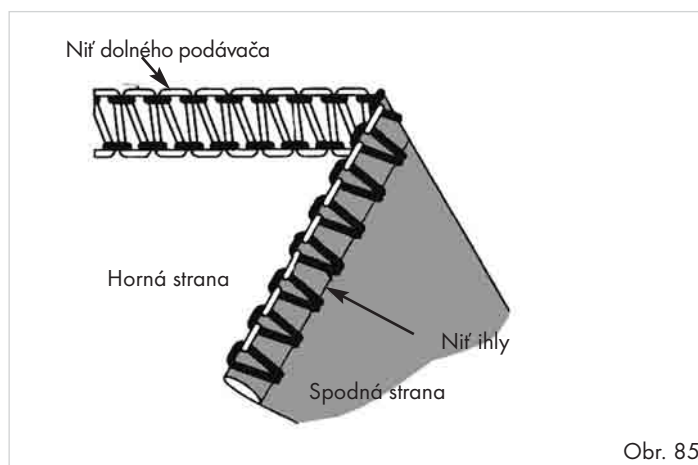
Nákres tohto stehu vidíte na obrázku 85.

Nastavte voliče napnutia nite 15 17 na vhodnú hodnotu (pozri tabuľku) a urobte skúšku s použitým materiálom.

Pre tento druh stehu zasuňte nástavec horného podávača do horného podávača 19.

Niř dolného podávača	Napnutie nite			
	modrý	zelený	modrý	žltý
Vlnená nylonová niř	-	1,5	Nasadiť nástavec horného podávača	1,5

Poloha ihly	
Prepínač šírky stehu	R
Dĺžka stehu	F - 2
Nástavec horného podávača	nasadiť



Obr. 85


2-niřový overlokový rolovaný lem s dolným podávačom

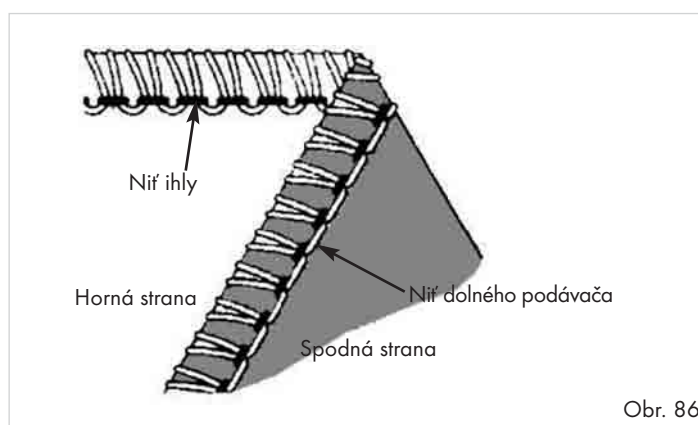
Nákres tohto stehu vidíte na obrázku 86.

Nastavte voliče napnutia nite 15 17 na vhodnú hodnotu (pozri tabuľku) a urobte skúšku s použitým materiálom.

Pre tento druh stehu zasuňte nástavec horného podávača do horného podávača 19.

Niř dolného podávača	Napnutie nite			
	modrý	zelený	modrý	žltý
Polyester	-	2,0	Nasadiť nástavec horného podávača	2,0
Vlnená nylonová niř	-	1,5	Nasadiť nástavec horného podávača	1,5

Poloha ihly	
Prepínač šírky stehu	R
Dĺžka stehu	F - 2
Nástavec horného podávača	nasadiť



Obr. 86

Plochý ozdobný steh

Pre dosiahnutie plochého ozdobného stehu nastavte napnutie nite pre 3-nižový overlokový steh. Urobte švík a potom odtiahnite látku od seba, aby sa švík vyrovnal.

Plochý steh sa dá použiť ne dekoratívne spájanie alebo ako čisto ozdobný steh (obr. 87, tmavá niť).

📌 Pokyny:

- Dajte pozor na správne napnutie nite, aby sa dali látky od seba dobre odtrhnúť.
- Ako niť horného podávača použijete ozdobnú niť, lebo táto je najdôležitejšia a najlepšie viditeľná.

1. Odstráňte pravú príp. ľavú ihlu (obr. 88).

2. Nastavte odporúčané napnutie pre 3-nižový overlokový steh (obr. 89).
3. Potom nastavte napnutie hornej nite (zelený alebo modrý) výrazne voľnejšie.
4. Potom trochu povolte aj napnutie nite horného podávača (modrý).
5. Potom nastavte napnutie nite dolného podávača (žltý) výrazne vyššie.

Plochý steh ako spojovací

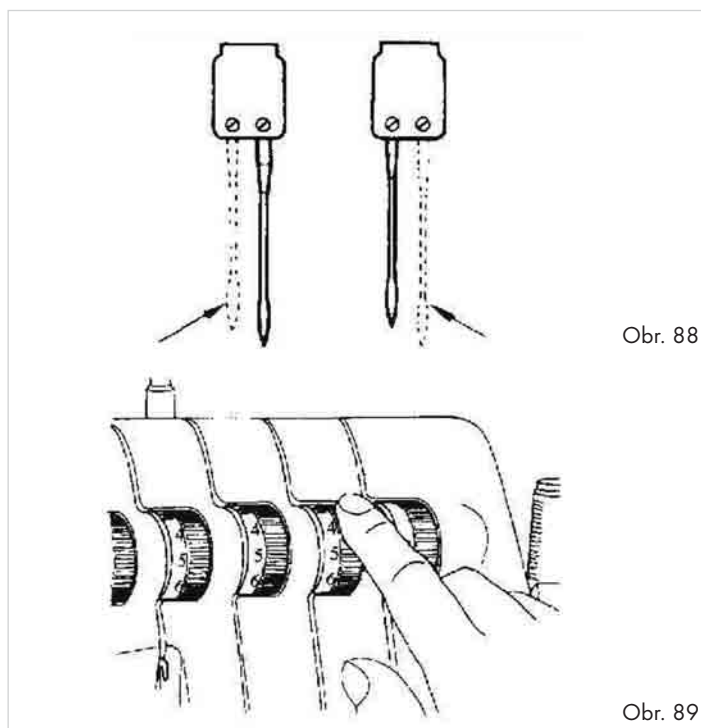
- Ak chcete dosiahnuť ozdobný švík na pravej strane, položte obe zošívacie látky rubom k sebe.
- Urobte švík a pritom odrežte nadbytočnú látku (obr. 90).

Nákres tohto stehu vidíte na obrázku 91.

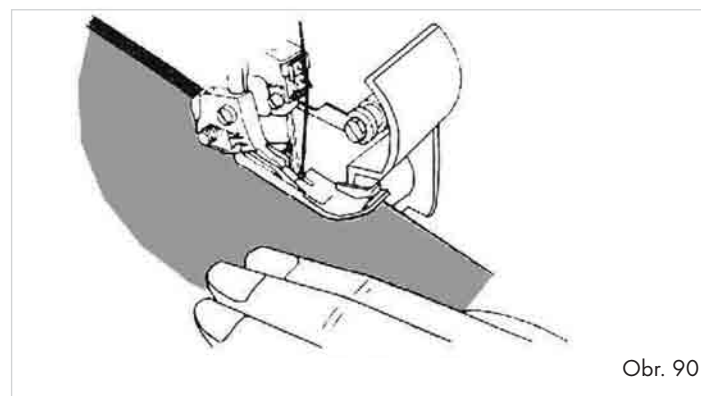
- Horná niť (ihlová) (zelený alebo modrý) potom vytvára na rubovej strane priebeh tvaru V.
- Niť dolného podávača vytvorí na okraji látky rovnú líniu.
- Roztiahnite látku na oboch stranách švíka od seba, aby boli stehy ploché.



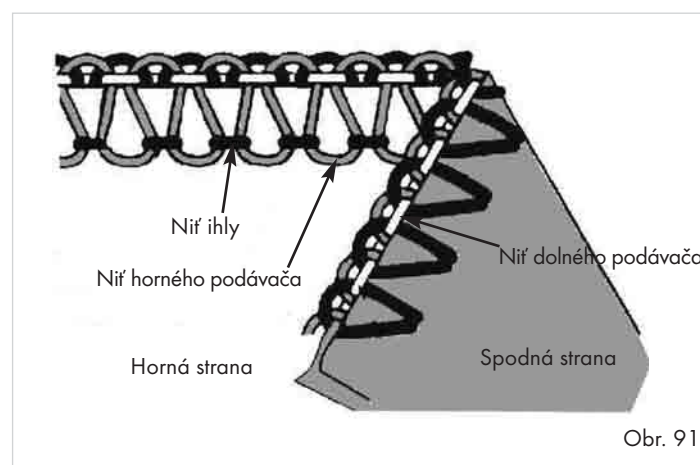
Obr. 87



Obr. 88



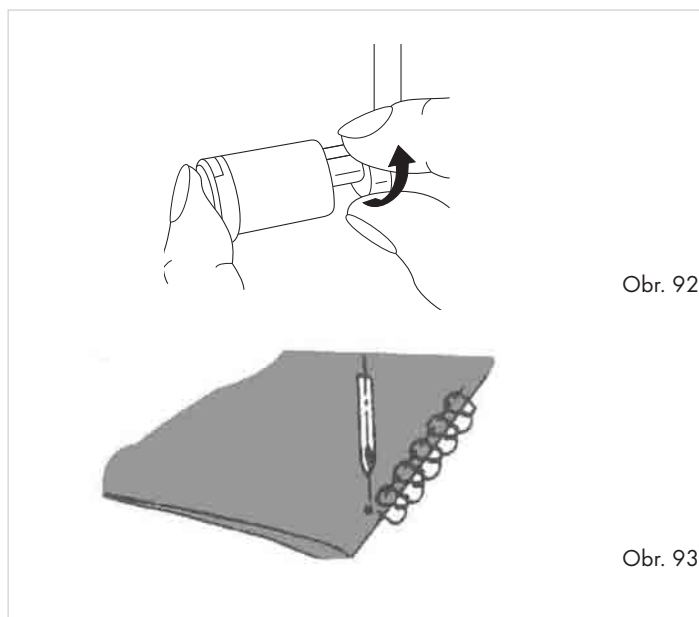
Obr. 90



Obr. 91

Plochý steh ako ozdobný

- Odstavte pohyblivý horný nôž **18** do pokojovej polohy (obr. 92). Látka sa pri tomto druhu stehu neodreže.
- Zložte látku tak, aby obe rubové strany ležali na sebe.



Obr. 92

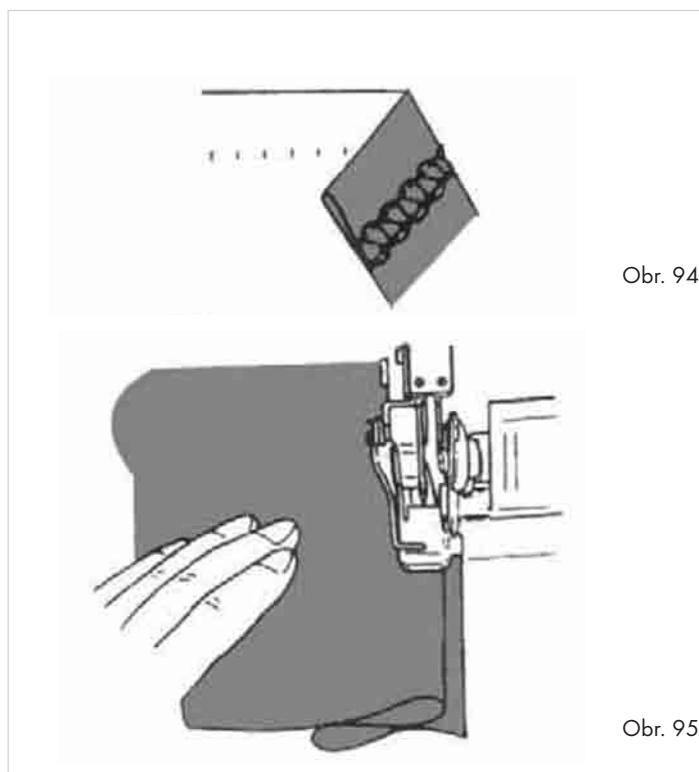
Obr. 93

- Položte látku tak, aby sa časť stehu šila mimo látku (obr. 93).
- Urobte švík.
- Potom látku rozložte. Stehy sú teraz ploché.

Slepý overlokový steh

Slepý overlokový steh sa hodí najlepšie na pleteniny. Dosiahne sa ním trváce začistenia okrajov a pritom ho takmer nie je vidno (obr. 94). Počas jediného pracovného postupu sa odreže nadbytočná látka, ušije lem a okraje sa začistia overlokovým stehom.

1. Odstráňte ľavú ihlu a nastavte stroj na úzky 3-níťový overlokový steh.
2. Nastavte dĺžku stehu na 4.
3. Zložte lem najprv na rubovú a potom na lícovú stranu látky, aby okraj látky presahoval 6 mm cez prvý sklad (obr. 95).
4. Opatrne šite v mieste skladu. Prítom sa musí ihla zapichovať presne do hrany skladu.



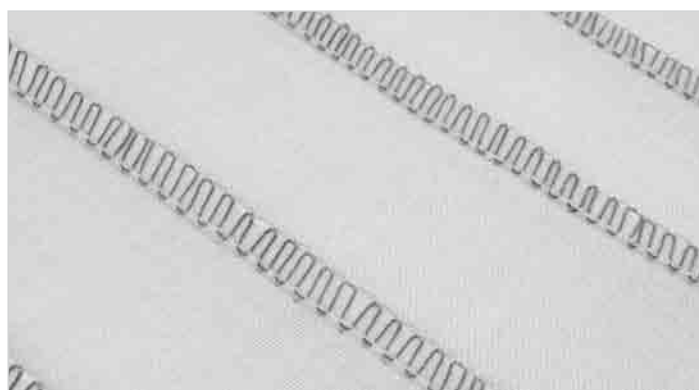
Obr. 94

Obr. 95

Vlasové zámiky

Ak si chcete šaty ozdobiť, môžete na nich pred zošíťím urobiť vlasové zámiky (obr. 96). Vlasové zámiky sú ozdobné stehy, aké vidíte na obrázku 96.

1. Odstráňte ľavú ihlu a nastavte stroj na úzky 3-níťový overlokový steh.
2. Odstavte horný nôž **18** do pokojovej polohy.
3. Ak chcete dosiahnuť rovnomerný výsledok, nakreslite si na látku požadovaný počet zámikov krajčírskou kriedou alebo vo vode rozpustnou krajčírskou ceruzkou.
4. Zložte látku rubom k sebe a šite.
5. Keď máte všetky zámiky ušité, zažehlite ich všetky jedným smerom, aby ležali rovnomerne naplocho.



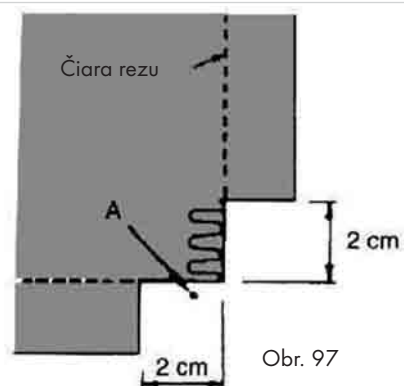
Obr. 96

Šitie rohov

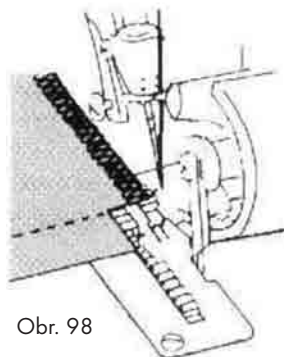
Vonkajšie rohy

1. Pred a za rohom odstrihnite asi 2 cm až k čiare stehu (obr. 97).
2. Urobte jeden steh ďalej než po značku „A“ na nákrese a zastavte (obr. 97).

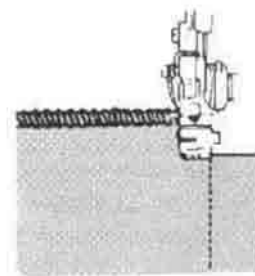
3. Zdvihnite ihlu a šijaciu pätku 21.
4. Vytiahnite látku dozadu tak, aby sa uvoľnila niť spod palca prepichovej dosky 13. (Pre lepšiu názornosť nie je na vedľajšom obrázku zobrazená šijacia pätku 21 - obr. 98).
5. Otočte látku a spusťte šijaciu pätku 21, aby bol horný nôž 18 v jednej línii s hranou rezu (obr. 99).
6. Vytiahnite voľnú niť nahor a šite ďalej.



Obr. 97



Obr. 98

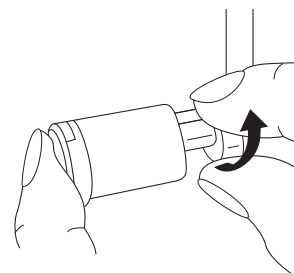


Obr. 99

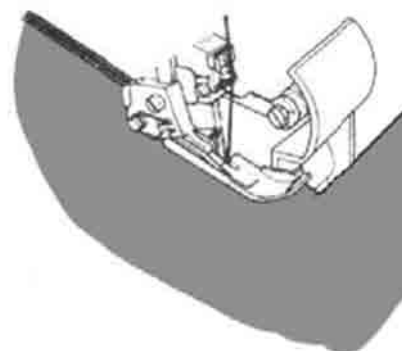
Vnútorne rohy

1. Odstrihnite látku na okraji švika.
2. Odstavte pohyblivý horný nôž 18 do pokojovej polohy (obr. 100).

3. Šite na okraji rezu (obr. 101).
4. Krátko pred dosiahnutím rohu zastavte.
5. Urobte v rohu sklad, aby obe hrany tvorili jednu líniu (obr. 102).
6. Pomaly šite cez roh ďalej druhý okraj. Dajte pritom pozor, aby ste nezachytili aj sklad!



Obr. 100



Obr. 101



Obr. 102

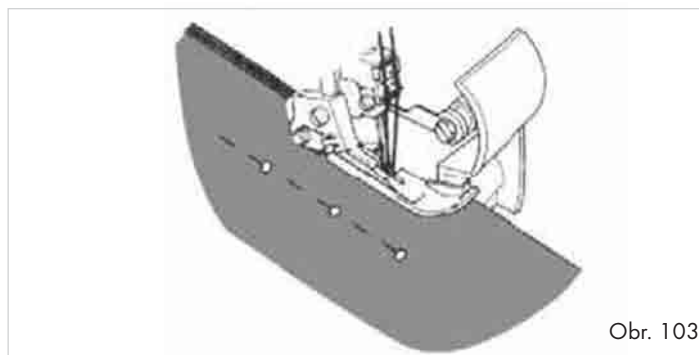
Tipy a triky

Zapichovanie špendlíkov

Vždy zapichujte špendlíky vľavo od šijacej pätky 21 (obr. 103). Potom nebudú špendlíky v oblasti rezu noža 18 22 a ľahko ich budete môcť vybrať.

⚠ **Pozor! Poškodenia prístroja!**

Nikdy nešite cez špendlíky ani iné tvrdé materiály. Nože 18 22 by sa pritom mohli neopraviteľne poškodiť!



Zaistenie prázdnej retiazky

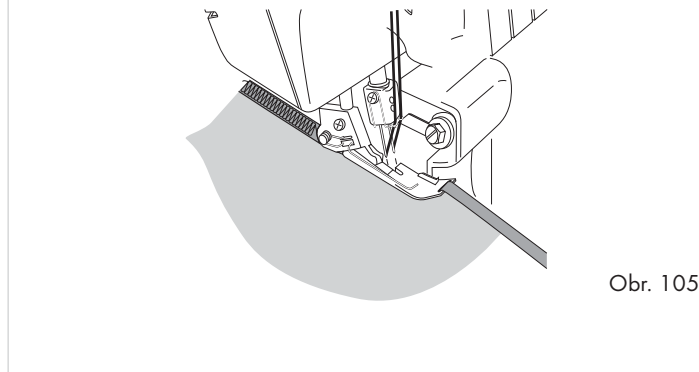
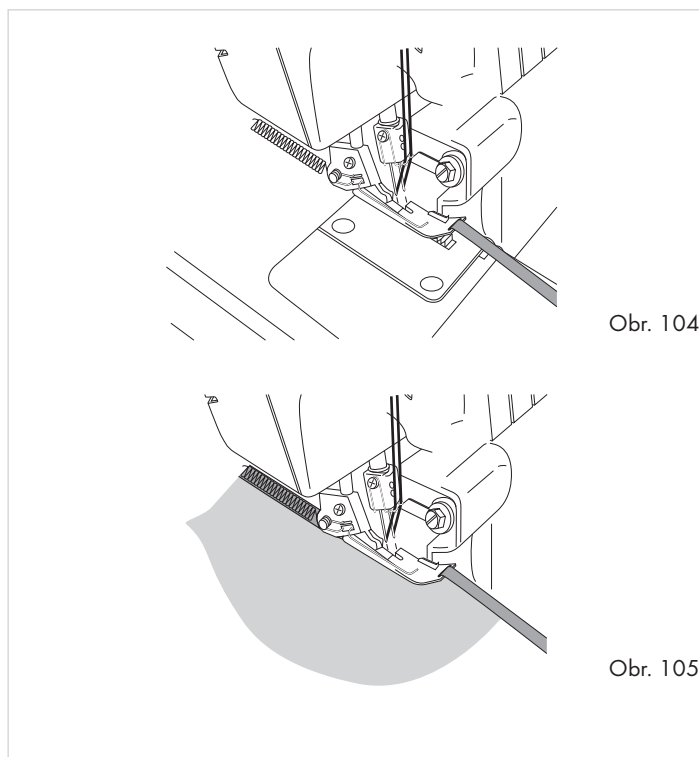
Aby ste zabránili uvoľneniu prázdnej retiazky, navlečte ju do obvyčajnej ihly (na ručné šitie). Pre istotu zapichnete túto ihlu na koniec švika.

Zosilnenie švika

Švík môžete zosilniť, ak doňho všijete stužku (keprovú).

Vedte stužku cez zárez v prednej časti šijacej pätky 21 (obr. 104).

Dajte stužku pod pätku dozadu a šite. Tým sa stužka všije do švika (obr. 105).

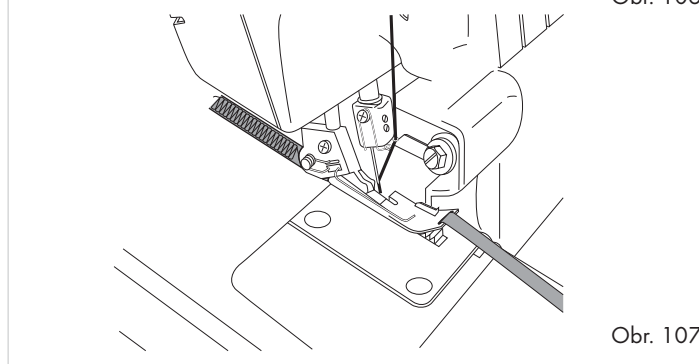
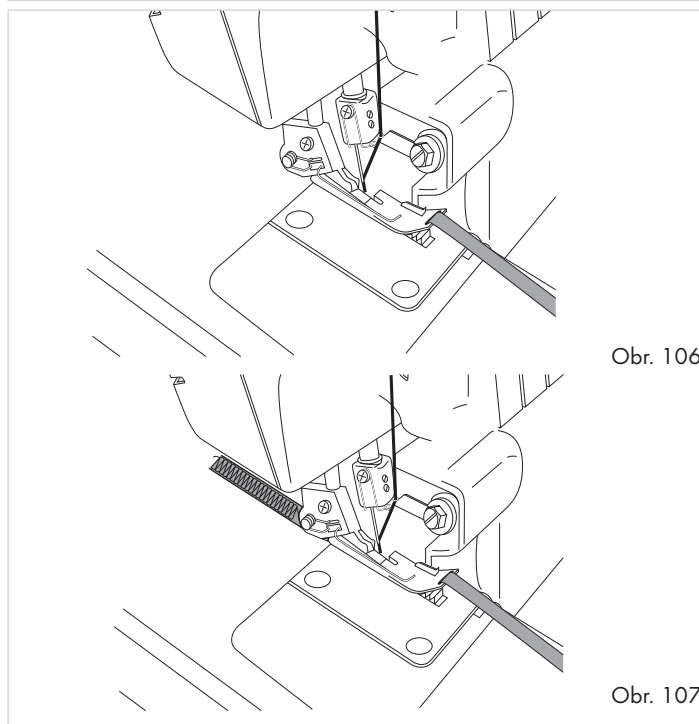


Lemovky

1. Odstavte horný nôž 18 do pokojovej polohy.
2. Odstráňte pravú ihlu a k nej patriacu niť.
3. Zatiahnite šnúrku (niť alebo keprovú stužku) cez zárez v prednej časti šijacej pätky 21 (obr. 106).

4. Dajte šnúrku pod šijaciu pätku 21 a požadovanú dĺžku obšite retiazkou (obr. 107).

Obšité lemovky môžete použiť jednotlivo alebo ich viacero zapliesť.



Údržba a čistenie

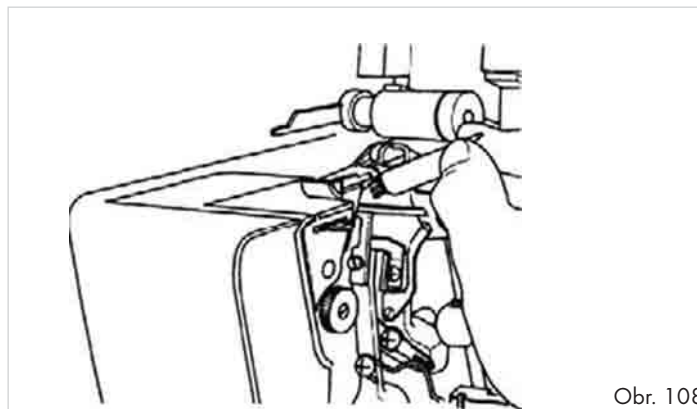
⚠ Pozor!

Pred čistením alebo údržbovými prácami vždy vytiahnite sieťovú zástrčku zo zásuvky. Tým zabránite nechcenému spusteniu stroja. Inak hrozí nebezpečenstvo poranenia!

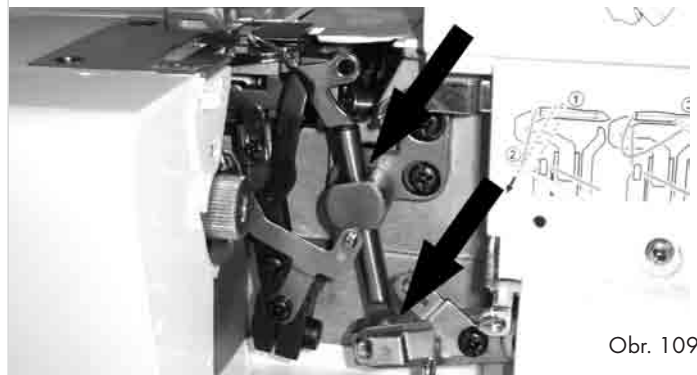
Čistenie a olejovanie

- Pravidelne odstraňujte prach a vlákna z oblasti podávačov a nožov. Použite na to dodaný štetec (obr. 108).
- Stroj utierajte mierne navlhčenou handrou.

- Pravidelne olejujte stroj na miestach vyznačených na obrázku 109. Používajte výlučne olej na šijacie stroje.



Obr. 108



Obr. 109

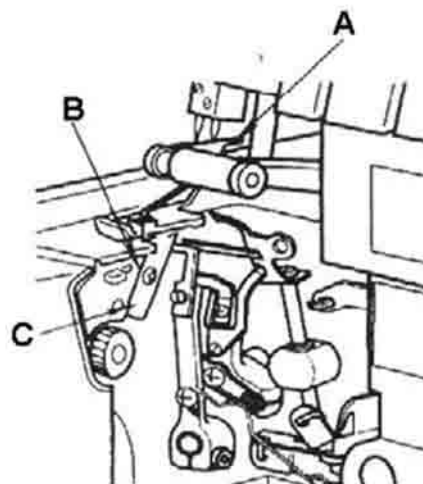
Výmena spodného noža

⚠ Pozor!

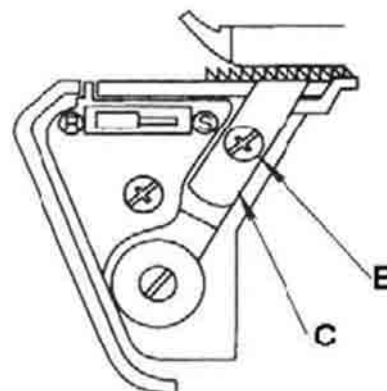
Pred výmenou noža 22 vždy vytiahnite sieťovú zástrčku zo zásuvky. Tým zabránite nechcenému spusteniu stroja. Inak hrozí nebezpečenstvo poranenia!

Spodný nôž 22 vymeňte, len čo si všimnete, že už nereže správne a čisto. Pozrite si obrázok 110.

1. Otvorte predný kryt 10.
2. Odstavte horný nôž 18 do pokojovej polohy (A).
3. Vyberte skrutku na spodnom noži 22 (B) a vyberte nôž 22 (C) (obr. 111).
4. Zasuňte nový nôž 22 do držiaka a pevne priskrutkujte.
5. Dajte horný nôž 18 do pracovnej polohy a zatvorte predný kryt 10.



Obr. 110



Obr. 111

Uskladnenie

Upozornenie:

Pred odložením stroja vždy vytiahnite sieťovú zástrčku zo zásuvky. Tým zabránite nechcenému spusteniu stroja a zároveň možnému poraneniu, ako aj prehriatiu prístroja!

Keď stroj nepoužívate, vždy ho zakryte ochranným vekom. Tým chránite stroj pred prachom. Stroj uskladnite na čistom a suchom mieste.

Stroj prenášajte vždy za výklopnú rukoväť.

Likvidácia



Prístroj v žiadnom prípade nevyhadzujte do bežného domového odpadu. Tento výrobok podlieha európskej smernici 2002/96/EC.

Zlikvidujte prístroj v príslušnom zariadení (firme) na likvidáciu odpadu. Dodržte pritom aktuálne platné predpisy. V prípade pochybností sa obráťte na zariadenia na likvidáciu odpadu.



Všetky obalové materiály nechajte takisto ekologicky zlikvidovať.

Nevyhadzujte olej na šijacie stroje do bežného domového odpadu. Nevyliievajte ho do kanála. Zlikvidujte ho v príslušnom zariadení (firme) na likvidáciu odpadu.

Záruka a servis

Na tento prístroj máte trojročnú záruku od dátumu nákupu. Prístroj bol starostlivo vyrobený a pred expedíciou dôkladne odskúšaný. Uschovajte si, prosím, účtenku ako dôkaz o nákupe. V prípade uplatnenia záruky sa spojte s opravovňou telefonicky. Len tak sa dá zabezpečiť bezplatné zaslanie tovaru.

Záruka platí len na chyby materiálu a výroby, nie na opotrebenie, škody spôsobené prepravou, ani na poškodenia krehkých častí, ako sú spínače alebo akumulátory. Výrobok je určený len na súkromné používanie a nie na podnikateľské účely.

Záruka stráca platnosť pri zaobchádzaní nezodpovedajúcim účelom a pri neprimeranom zaobchádzaní, pri použití násilia a pri zásahoch, ktoré neurobil nami autorizovaný servis. Práva vyplývajúce zo zákona nie sú touto zárukou obmedzené.

Záručná doba sa nepredlžuje o dobu trvania záručných opráv. To platí aj na vymenené alebo opravené diely. Prípadné už pri kúpe zistené chyby a nedostatky musíte ohlásiť ihneď po vybalení, najneskôr však do dvoch dní po dátume kúpy. Opravy spadajúce do obdobia po skončení záruky si musíte zaplatiť.

 **Servis Slovensko**

Tel.: 0850 232001

E-Mail: kompernass@lidl.sk

Dovozca

KOMPERNASS GMBH
BURGSTRASSE 21
44867 BOCHUM, GERMANY

www.kompernass.com

Odstraňovanie porúch

Problém	Príčina	Odstránenie
Ihly sa lámu	• Ihly sú zohnuté, tupé alebo majú poškodený hrot.	• Vložte nové ihly.
	• Ihly nie sú správne vložené.	• Nasadte ihly správne do držiakov.
	• Príliš silno ste ťahali látku	• Veďte látku opatrne oboma rukami.
Niť sa trhá	• Niť nie je správne navlečená.	• Správne navlečte niť.
	• Napnutie nite je príliš veľké.	• Zmenšite napnutie nite.
	• Ihly nie sú správne vložené.	• Nasadte ihly správne do držiakov.
Stroj vynecháva stehy	• Ihly sú zohnuté, tupé alebo majú poškodený hrot.	• Vložte nové ihly.
	• Ihly nie sú správne vložené.	• Nasadte ihly správne do držiakov.
	• Niť nie je správne navlečená.	• Skontrolujte dráhu jednotlivých nití.
Stehy nie sú rovnomerné	• Napnutie nite nie je správne.	• Upravte napnutie nite.
	• Niť je zachytená.	• Skontrolujte dráhu jednotlivých nití.
Švíky sa vlnia	• Napnutie nite je príliš veľké.	• Upravte napnutie nite.
	• Niť nie je správne navlečená.	• Správne navlečte niť.
	• Niť viazne.	• Skontrolujte dráhu jednotlivých nití.
	• Diferenciálne podávanie nie je nastavené.	• Správne nastavte diferenciálne podávanie.
Látka nie je správne odrezaná	• Nože sú tupé alebo nesprávne nasadené.	• Vymeňte nôž alebo ho správne nasadte.
Okraje látky sa vlnia	• Príliš veľa látky na jeden steh.	• Zmeňte šírku stehu.