



[www.lidl-service.com](http://www.lidl-service.com)



## DETAIL SANDER PHS 160 B3

GB CY

### DETAIL SANDER

Translation of original operation manual

BG

### РЪЧНА ШЛАЙФМАШИНА

Превод на оригиналното ръководство за експлоатация

RO

### ȘLEFUITOR MANUAL

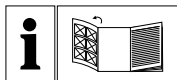
Traducerea instrucțiunilor de utilizare original

DE AT CH

### HANDSCHLEIFER

Originalbetriebsanleitung

IAN 100087



GB CY

Before reading, unfold the page containing the illustrations and familiarise yourself with all functions of the device.

---

RO

Înainte de a citi instrucțiunile, priviți imaginile și familiarizați-vă cu toate funcțiile aparatului.

---

BG

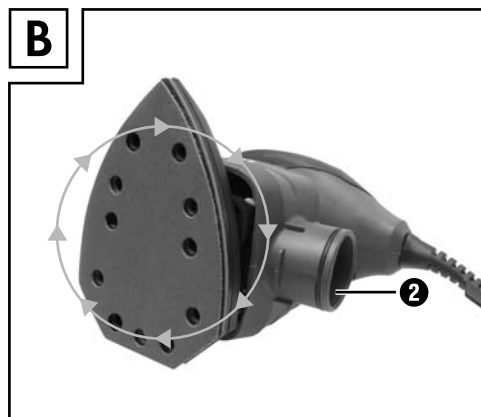
Преди да прочетете отворете страницата с фигурите и след това се запознайте с всички функции на уреда.

---

DE AT CH

Klappen Sie vor dem Lesen die Seite mit den Abbildungen aus und machen Sie sich anschließend mit allen Funktionen des Gerätes vertraut.

GB/CY	Translation of original operation manual	Page	1
RO	Traducerea instrucțiunilor de utilizare original	Pagina	9
BG	Превод на оригиналното ръководство за експлоатация	Страница	17
DE/AT/CH	Originalbetriebsanleitung	Seite	27



# Contents

<b>Introduction</b> .....	<b>2</b>
Proper use .....	2
Features .....	2
Included items .....	2
Technical details .....	2
<b>General Power Tool Safety Warnings</b> .....	<b>3</b>
1. Work area safety .....	3
2. Electrical safety .....	3
3. Personal safety .....	3
4. Power tool use and care .....	4
5. Service .....	4
Safety advice relating specifically to this device .....	4
<b>Preparing for use</b> .....	<b>5</b>
Vacuum dust extraction .....	5
Dust box for internal vacuum extraction .....	5
Reducer piece .....	6
Attaching / detaching sanding sheets .....	6
Rotating the backing plate .....	6
Advice on use .....	6
<b>Maintenance and cleaning</b> .....	<b>6</b>
<b>Warranty</b> .....	<b>7</b>
<b>Service</b> .....	<b>7</b>
<b>Importer</b> .....	<b>7</b>
<b>Disposal</b> .....	<b>7</b>
<b>Translation of the original Conformity Declaration</b> .....	<b>8</b>

## DETAIL SANDER PHS 160 B3

### Introduction



We congratulate you on the purchase of your new device. You have chosen a high quality product. The instructions for use are part of the product. They contain important information concerning safety, use and disposal. Before using the product, please familiarise yourself with all of the safety information and instructions for use. Only use the unit as described and for the specified applications. If you pass the product on to anyone else, please ensure that you also pass on all the documentation with it.

### Proper use

This device – when combined with the appropriate sandpaper – is suitable for dry-sanding wood, plastic, metal, filler and painted surfaces. The device is particularly suitable for corners, profiles or difficult to access places. Any other use or modification to the device shall be considered as improper use and could give rise to considerable dangers. We will not accept liability for loss or damage arising from improper use. Not suitable for commercial use.

### Features

- ❶ Mains lead
- ❷ Adapter port
- ❸ Reducer piece for external vacuum extraction
- ❹a Tab (dust box)
- ❹b Dust box for self-generated dust extraction
- ❺ Release button - dust collection box
- ❻ Ventilation slots
- ❼ Patented backing plate (360° rotatable)
- ❽ ON/ OFF switch

### Included items

- 1 Detail sander PHS 160 B3
- 1 Sanding sheet (Grit 120)
- 1 Reducer piece for external vacuum extraction
- 1 Operating instructions

### Technical details

Nom. power input:	160 W
Nominal voltage:	230 V~ 50 Hz
Non-load speed:	$n_0 = 13000 \text{ min}^{-1}$
Non-load oscillation speed:	$n_0 = 26000 \text{ min}^{-1}$
Backing plate:	360° rotatable
Protection class:	II/□

### Noise and vibration data:

Measured values for noise are determined in accordance with EN 60745. The A-weighted noise level of the electrical power tool are typically:

Sound pressure level:	80 dB(A)
Sound power level:	91 dB(A)
Uncertainty K:	3 dB

### Wear ear protection!

### Evaluated acceleration, typical:

Hand / arm vibration $a_h =$	4.7 m/s <sup>2</sup>
Uncertainty K =	1.5 m/s <sup>2</sup>

The vibration level specified in these instructions was measured in accordance with an EN 60745 standardised measurement process and can be used to compare equipment. The vibration emission value specified can also serve as a preliminary assessment of the exposure. The vibration level will change according to the application of the electrical tool and in some cases may exceed the value specified in these instructions. Regularly using the electric tool in such a way may make it easy to underestimate the vibration.

If you wish to make an accurate assessment of the vibration loads experienced during a particular period of working, you should also take into account the intervening periods of time when the device is switched off or is running but is not actually in use. This can result in a much lower vibration load over the whole of the period of working.



## General Power Tool Safety Warnings

### **WARNING!**

- ▶ Read all safety warnings and all instructions. Failure to follow the warnings and instructions may result in electric shock, fire and/or serious injury.

Save all warnings and instructions for future reference.

The term “power tool” in the warnings refers to your mains-operated (corded) power tool or battery-operated (cordless) power tool.

### 1. Work area safety

- a) Keep work area clean and well lit. Cluttered or dark areas invite accidents.
- b) Do not operate power tools in explosive atmospheres, such as in the presence of flammable liquids, gases or dust. Power tools create sparks which may ignite the dust or fumes.
- c) Keep children and bystanders away while operating a power tool. Distractions can cause you to lose control.

### 2. Electrical safety

- a) Power tool plugs must match the outlet. Never modify the plug in any way. Do not use any adapter plugs with earthed (grounded) power tools. Unmodified plugs and matching outlets will reduce risk of electric shock.
- b) Avoid body contact with earthed or grounded surfaces, such as pipes, radiators, ranges and refrigerators. There is an increased risk of electric shock if your body is earthed or grounded.

- c) Do not expose power tools to rain or wet conditions. Water entering a power tool will increase the risk of electric shock.
- d) Do not abuse the cord. Never use the cord for carrying, pulling or unplugging the power tool. Keep cord away from heat, oil, sharp edges or moving parts. Damaged or entangled cords increase the risk of electric shock.
- e) When operating a power tool outdoors, use an extension cord suitable for outdoor use. Use of a cord suitable for outdoor use reduces the risk of electric shock.
- f) If operating a power tool in a damp location is unavoidable, use a residual current device (RCD) protected supply. Use of an RCD reduces the risk of electric shock.

### 3. Personal safety

- a) Stay alert, watch what you are doing and use common sense when operating a power tool. Do not use a power tool while you are tired or under the influence of drugs, alcohol or medication. A moment of inattention while operating power tools may result in serious personal injury.
- b) Use personal protective equipment. Always wear eye protection. Protective equipment such as dust mask, non-skid safety shoes, hard hat, or hearing protection used for appropriate conditions will reduce personal injuries.
- c) Prevent unintentional starting. Ensure the switch is in the off-position before connecting to power source and/or battery pack, picking up or carrying the tool. Carrying power tools with your finger on the switch or energising power tools that have the switch on invites accidents.
- d) Remove any adjusting key or wrench before turning the power tool on. A wrench or a key left attached to a rotating part of the power tool may result in personal injury.
- e) Do not overreach. Keep proper footing and balance at all times. This enables better control of the power tool in unexpected situations.

- f) Dress properly. Do not wear loose clothing or jewellery. Keep your hair, clothing and gloves away from moving parts. Loose clothes, jewellery or long hair can be caught in moving parts.
- g) If devices are provided for the connection of dust extraction and collection facilities, ensure these are connected and properly used. Use of dust collection can reduce dust-related hazards.

**4. Power tool use and care**

- a) Do not force the power tool. Use the correct power tool for your application. The correct power tool will do the job better and safer at the rate for which it was designed.
- b) Do not use the power tool if the switch does not turn it on and off. Any power tool that cannot be controlled with the switch is dangerous and must be repaired.
- c) Disconnect the plug from the power source and/or the battery pack from the power tool before making any adjustments, changing accessories, or storing power tools. Such preventive safety measures reduce the risk of starting the power tool accidentally.
- d) Store idle power tools out of the reach of children and do not allow persons unfamiliar with the power tool or these instructions to operate the power tool. Power tools are dangerous in the hands of untrained users.
- e) Maintain power tools. Check for misalignment or binding of moving parts, breakage of parts and any other condition that may affect the power tool's operation. If damaged, have the power tool repaired before use. Many accidents are caused by poorly maintained power tools.
- f) Keep cutting tools sharp and clean. Properly maintained cutting tools with sharp cutting edges are less likely to bind and are easier to control.
- g) Use the power tool, accessories and tool bits etc. in accordance with these instructions, taking into account the working conditions and the work to be performed. Use of the power tool for operations different from those intended could result in a hazardous situation.

**5. Service**

- a) Have your device repaired at the service centre or by qualified specialist personnel using original manufacturer parts only. This will ensure that your device remains safe to use.
- b) If the plug or mains lead needs to be replaced, always have the replacement carried out by the manufacturer or its service centre. This will ensure that your device remains safe to use.

**Safety advice relating specifically to this device**

- Securely support the workpiece. Use clamps or a vice to grip the workpiece firmly. This is much safer than holding it in your hand.
- Never support yourself by placing your hands near or in front of the device or the workpiece surface. A slip can result in injury.
- If a dangerous situation arises, pull the mains plug immediately out of the mains socket.
- Always work with the mains lead leading away from the rear of the device.
- **DANGER OF FIRE FROM FLYING SPARKS!** Abrading metal creates flying sparks. For this reason, always make sure that nobody is placed in any danger and that there are no inflammable materials near the working area.

**⚠ WARNING! NOXIOUS FUMES!**

- ▶ Any harmful / noxious dusts generated from sanding represent a risk to the health of the person operating the device and to anyone near the work area.

**⚠ WARNING! DUST HAZARD!**

- ▶ When sanding wood and in particular when working on materials that give rise to dusts that are hazardous to health, the sander must be connected to a suitable external dust extraction device. Wear protective glasses and a dust mask!

- Ensure that there is adequate ventilation when working on plastic, paint, varnish etc.
- Do not soak the materials or the surface you

are about to work on with liquids containing solvents.

- Do not abrade moistened materials or damp surfaces.
- Avoid sanding paints containing lead or other substances hazardous to health.
- Do not work on materials containing asbestos. Asbestos is a known carcinogen.
- Avoid contact with the moving sanding sheet.
- Operate the device only with an attached sanding sheet.
- Never use the device for a purpose for which it was not intended nor with non-original parts / accessories. The use of tools or accessories other than those recommended in the operating instructions could lead to you suffering an injury.
- Switch the device off and allow it to come to a standstill before you put it down.
- Always keep the device clean, dry and free of oil or grease.

## Preparing for use

### **⚠ CAUTION!**

- ▶ Make sure that the device is switched off before you connect it to the mains supply.

### **NOTE**

- ▶ Always switch on the delta sander before bringing it into contact with the workpiece material.

### Switching on the device:

- ◆ Push the ON / OFF switch **8** into Position "I".

### Switching off the device:

- ◆ Push the ON / OFF switch **8** into Position "0".

## Vacuum dust extraction

### **⚠ WARNING! DANGER OF FIRE!**

- ▶ There is the danger of fire when working with electrical devices that have a dust box or can be connected to a vacuum cleaner. Under certain conditions the wood dust in the dust extraction bag (or in the vacuum's dust bag) may ignite, e.g. as a result of flying sparks generated when abrading metals or metal objects left in wood. This can happen particularly if the wood dust is mixed with paint residue or other chemicals and the abraded particles are hot from prolonged abrasion. Therefore you must empty the device's dust collection box and the vacuum cleaner's dust bag before taking a break or stopping work and always avoid overheating of the abraded particles and the device.

### Wear a dust mask!

### **⚠ WARNING!**

- ▶ Always pull the mains plug is out of the socket before doing any work on the device.

## Dust box for internal vacuum extraction

### Mounting:

- ◆ Slide the dust box for self-generated dust extraction **4b** up to the stop on the hand sander.

### Removal:

- ◆ Press the release button **5** of the dust extraction box for internal vacuum extraction **4b** and withdraw it towards the rear of the device.

### **NOTE**

- ▶ Empty the dust collector in good time in order to ensure the optimum removal of **4b** dust by suction.
- ◆ To do so, remove the dust box **4b** from the device as described above. Open the dust box by pulling on the tab **4a** and remove the cover. Now tap both parts to thoroughly clean them.



## Reducer piece

### Connection:

- ◆ Push the reducer piece ③ into the adapter port ②.
- ◆ Push the hose of a suitable dust extraction device approved for that purpose (e.g. a workshop vacuum cleaner) on to the reducer piece ③.

### Removal:

- ◆ Pull the dust extraction device hose off the reducer piece ③.
- ◆ Pull off the reducer piece ③.

## Attaching / detaching sanding sheets

### **WARNING!**

- ▶ Always pull the mains plug is out of the socket before doing any work on the device.

### Attaching:

- ◆ Sanding sheets are attached to the backing plate ⑦ by means of the hook and pile fastening.

### Detaching:

- ◆ Simply pull the sanding sheet off the backing plate ⑦ (see Fig. A).

## Rotating the backing plate

### **WARNING!**

- ▶ Always pull the mains plug is out of the socket before doing any work on the device.
- ◆ Rotate the backing plate ⑦ into the desired position (see Fig. B).

## Sanding and surfaces:

The sanding output and the quality of the surface finish are determined by the grade of grit on the sanding sheet.

- ◆ Always use sanding sheets with grades that are suitable for the particular surface you are sanding.

## Advice on use

- Switch the device on before placing it against the workpiece.
- Apply light sanding pressure only.
- Advance the device at an even rate.
- Change sanding sheets at the appropriate time.
- Do not work on different types of material using the same sanding sheet (e.g. wood and then metal). To achieve the best sanding results you should use unworn, undamaged sanding sheets.
- Clean the sanding sheet from time to time with a vacuum cleaner.
- Sand difficult to reach places with the front or side corners of the backing plate ⑦.
- Work in parallel and overlapping widths.
- After sanding the workpiece, lift the device from the workpiece before switching it off.

## Maintenance and cleaning

### **WARNING!**

- ▶ Always pull the mains plug is out of the socket before doing any work on the device.

The delta sander is maintenance-free.

- Clean the device frequently. This should be done immediately after you have finished using it.
- For cleaning the housing use a dry cloth only.
- Remove any adhering sanding dust with a narrow paint brush.
- Never any kind of sharp object or petrol, solvents or cleaning agents that might attack plastic. Do not allow any liquids to enter the inside of the device.
- Always keep the ventilation slots ⑥ clear.

## Warranty

The warranty provided for this appliance is 3 years from the date of purchase. This appliance has been manufactured with care and inspected meticulously prior to delivery. Please retain your receipt as proof of purchase. In the event of a warranty claim, please contact your Customer Service by telephone. This is the only way to guarantee free return of your goods.

The warranty covers only claims for material and manufacturing defects, not for transport damage, wearing parts or for damage to fragile components, e.g. switches or batteries. This appliance is intended solely for private use and not for commercial purposes.

The warranty is deemed void if this product has been subjected to improper or inappropriate handling, abuse or modifications which were not carried out by one of our authorised service centres. Your statutory rights are not restricted in any way by this warranty.

The warranty period is not prolonged by repairs made under the warranty. This also applies to replaced and repaired parts. Damage and defects present at the time of purchase must be reported immediately after unpacking, or no later than two days after the date of purchase. Repairs made after expiry of the warranty period are chargeable.

## Service

### GB Service Great Britain

Tel.: 0871 5000 720 (£ 0.10/Min.)

E-Mail: [kompnass@lidl.co.uk](mailto:kompnass@lidl.co.uk)

IAN 100087

### CY Service Cyprus

Tel.: 8009 4409

E-Mail: [kompnass@lidl.com.cy](mailto:kompnass@lidl.com.cy)

IAN 100087

### Hotline availability:

Monday to Friday 08:00 - 20:00 (CET)

## Importer

KOMPERNASS HANDELS GMBH

BURGSTRASSE 21

44867 BOCHUM

GERMANY

[www.kompnass.com](http://www.kompnass.com)

## Disposal



The packaging is made from environmentally friendly material and can be disposed of at your local recycling plant.



**Do not dispose of power tools in your normal domestic waste!**

In accordance with European Directive 2012/19/EU (covering waste electrical and electronic equipment) and its transposition into national legislation, worn out electrical power tools must be collected separately and taken for environmentally compatible recycling.

Contact your local refuse disposal authority for more details of how to dispose of your worn out electrical devices.

## Translation of the original Conformity Declaration

We, KOMPERNASS HANDELS GMBH, the person responsible for documents: Mr Semi Uguzlu, BURGSTRASSE 21, 44867 BOCHUM, GERMANY, hereby declare that this product complies with the following standards, normative documents and EU directives:

**Machinery Directive  
(2006 / 42 / EC)**

**EU Low Voltage Regulations  
(2006 / 95 / EC)**

**EMC (Electromagnetic Compatibility)  
(2004 / 108 / EC)**

**RoHS Directive  
(2011 / 65 / EU)**

### Applied harmonised standards:

EN 60745-1/A11:2010,

EN 60745-2-4/A11:2011

EN 62233:2008

EN 55014-1/A1:2009

EN 55014-2/A2:2008

EN 61000-3-2/A2:2009

EN 61000-3-3:2008

### Type/appliance designation:

Detail sander PHS 160 B3

**Year of manufacture: 04-2014**

**Serial number: IAN 100087**

Bochum, 07/03/2014



Semi Uguzlu

- Quality Manager -

Subject to technical changes in the course of further developments.

# Cuprins

<b>Introducere</b> .....	<b>10</b>
Utilizarea conform destinației .....	10
Dotare .....	10
Furnitura .....	10
Datele tehnice .....	10
<b>Indicații de siguranță generale pentru sculele electrice</b> .....	<b>11</b>
1. Siguranța zonei de lucru .....	11
2. Siguranța electrică .....	11
3. Siguranța persoanelor .....	11
4. Utilizarea și manevrarea sculei electrice .....	12
5. Service .....	12
Indicații de siguranță specifice pentru șlefuitoare .....	12
<b>Punerea în funcțiune</b> .....	<b>13</b>
Aspirarea prafului .....	13
Cutia de colectare a prafului pentru aspirația integrată .....	14
Piesa de reducere .....	14
Fixarea / detașarea discului de șlefuit .....	14
Rotirea plăcii de șlefuit .....	14
Instrucțiuni de lucru .....	15
<b>Întreținerea și curățarea</b> .....	<b>15</b>
<b>Garanția</b> .....	<b>15</b>
<b>Service-ul</b> .....	<b>15</b>
<b>Importator</b> .....	<b>15</b>
<b>Eliminarea</b> .....	<b>16</b>
<b>Traducerea declarației de conformitate originale</b> .....	<b>16</b>

RO

## ȘLEFUITOR MANUAL PHS 160 B3

### Introducere



Vă felicităm pentru cumpărarea noului dvs. aparat. Prin aceasta v-ați decis pentru un produs de calitate superioară.

Instrucțiunile de utilizare fac parte din acest produs. Acestea cuprind informații importante pentru siguranță, utilizare și eliminare. Înainte de utilizarea produsului, familiarizați-vă cu toate indicațiile privind operația și siguranța. Utilizați acest produs numai în modul descris și numai în scopurile menționate. În cazul transmiterii aparatului unei alte persoane, predați-i, de asemenea, documentele aferente acestuia.

### Utilizarea conform destinației

În funcție de hârtia abrazivă utilizată, aparatul este destinat șlefuirii lemnului, materialului plastic, metalului, materialului de șpăcluit, precum și suprafețelor lăcuite. Aparatul se pretează în special pentru utilizarea la colțuri, profile sau alte puncte greu accesibile. Orice altă utilizare sau modificare a aparatului este considerată a fi neconformă și atrage după sine pericole serioase de accidentare. Nu ne asumăm răspunderea pentru prejudiciile rezultate în urma unei utilizări care contravine destinației. A nu se utiliza în scopuri profesionale.

### Dotare

- 1 CABLU de alimentare
- 2 Conexiune adaptor
- 3 Piesă de reducere pentru aspirarea externă
- 4a Eclisă (cutie de colectare a prafului)
- 4b Cutie de colectare a prafului pentru aspirația integrată
- 5 Tastă de deblocare cutie de colectare a prafului
- 6 Orificii de aerisire
- 7 Placă de șlefuit brevetată (rotativă la 360°)
- 8 Comutator PORNIT / OPRIT

### Furnitura

- 1 Șlefuitor manual PHS 160 B3
- 1 Disc de șlefuit (granulație 120)
- 1 Piesă de reducere pentru aspirarea externă
- 1 Instrucțiuni de utilizare

### Datele tehnice

Consum nominal:	160 W
Tensiune nominală:	230 V~ 50 Hz
Turație nominală:	$n_0$ 13000 min <sup>-1</sup>
Viteza nominală de oscilație:	$n_0$ 26000 min <sup>-1</sup>
Placă de șlefuit:	rotativă la 360°
Clasa de protecție:	II/□

### Informații privind zgomotele și vibrațiile:

Valoarea măsurată pentru zgomot determinată conform EN 60745. Nivelul de zgomot evaluat A al sculei electrice este în mod normal de:

Nivelul presiunii acustice:	80 dB(A)
Nivelul puterii acustice:	91 dB(A)
Incertitudine K:	3 dB

### Purtați echipament de protecție a auzului

### Accelerare evaluată, în mod tipic:

Vibrația mâinii/brațului  $a_h = 4,7 \text{ m} / \text{s}^2$

Incertitudine K =  $1,5 \text{ m} / \text{s}^2$

Nivelul vibrațiilor indicat în aceste instrucțiuni a fost măsurat conform procedeeului de măsurare descris în norma EN 60745 și poate fi utilizat pentru compararea aparatelor. Valoarea indicată a vibrațiilor emise poate fi utilizată și pentru o evaluare introductivă a expunerii. Nivelul vibrațiilor se va modifica în funcție de utilizarea sculei electrice și în anumite cazuri se poate afla peste valoarea indicată în aceste instrucțiuni. Sarcina vibrațiilor ar putea fi subapreciată dacă scula electrică este utilizată regulat într-un asemenea mod.

Pentru o evaluare exactă a sarcinii vibrațiilor într-un anumit interval de lucru se vor lua în considerare și perioadele în care aparatul este oprit sau se află în funcțiune, dar nu este utilizat propriu-zis. În acest mod sarcina vibrațiilor poate fi redusă în mod considerabil pentru întregul interval de lucru.



## Indicații de siguranță generale pentru sculele electrice

### **⚠️ AVERTIZARE!**

- ▶ **Citiți toate indicațiile de siguranță și instrucțiunile.** Nerespectarea indicațiilor de siguranță și a instrucțiunilor poate cauza electrocutare, incendiu și/sau răniri grave.

### **Păstrați toate indicațiile de siguranță și instrucțiunile pentru viitor.**

Noțiunea de „sculă electrică” utilizată în indicațiile de siguranță se referă la sculele electrice alimentate de la rețea (cu cablu de rețea) și la sculele electrice cu acumulatori (fără cablu de rețea).

### **1. Siguranța zonei de lucru**

- a) **Păstrați zona de lucru curată și bine iluminată.** Dezordinea și zonele de lucru neluminate pot conduce la accidentări.
- b) **Nu lucrați cu scula electrică în zone cu potențial explozibil, în care se găsesc lichide, gaze sau pulberi inflamabile.** Sculele electrice produc scântei care pot aprinde pulberea sau aburii.
- c) **Țineți copiii și alte persoane la distanță în timpul utilizării sculei electrice.** Dacă sunteți distrași, puteți pierde controlul asupra aparatului.

### **2. Siguranța electrică**

- a) **Fișa de racord a sculei electrice (resp. a cablului) trebuie să se potrivească în priză.** Fișa nu trebuie modificată în niciun fel. Nu folosiți niciun fel de adaptoare împreună cu sculele electrice legate la pământ. Fișele nemodificate și prizele adecvate reduc riscul de electrocutare.
- b) **Evitați contactul corporal cu suprafețele împământate, ca de ex. cele ale conductelor, caloriferelor, aragazurilor și frigiderelor.** Există un pericol crescut de electrocutare în cazul împământării corpului dvs.
- c) **Nu expuneți sculele electrice condițiilor de ploaie sau umezală.** Pătrunderea apei într-un aparat electric crește riscul de electrocutare.

- d) **Nu utilizați cablul într-un scop pentru care nu a fost destinat, ca de ex. pentru a transporta sau pentru a agăța scula electrică sau pentru a scoate fișa din priză.** Feriți cablul de temperaturi înalte, ulei, muchii ascuțite sau piesele în mișcare ale aparatului. Cablurile deteriorate sau încurcate cresc riscul de electrocutare.
- e) **Atunci când lucrați cu o sculă electrică în aer liber, utilizați numai cabluri prelungitoare care sunt admise pentru uzul în exterior.** Utilizarea unui cablu prelungitor adecvat pentru uzul în exterior reduce riscul de electrocutare.
- f) **Dacă utilizarea sculei electrice într-un mediu umed este inevitabilă, utilizați un întrerupător de protecție contra curenților vagabonzi.** Utilizarea unui întrerupător de protecție contra curenților vagabonzi reduce riscul de electrocutare.

### **3. Siguranța persoanelor**

- a) **Fiți mereu precauți, fiți atenți la ceea ce faceți și acționați în mod rațional atunci când lucrați cu o sculă electrică.** Nu utilizați sculele electrice dacă sunteți oboșiți sau dacă vă aflați sub influența drogurilor, alcoolului sau a medicamentelor. Un moment de neatenție la utilizarea sculei electrice poate duce la răniri grave.
- b) **Purtați echipament de protecție individual și întotdeauna ochelari de protecție.** Purtarea de echipament de protecție individual, precum mască de praf, încălțăminte de protecție antide-rapantă, cască de protecție sau mijloace de protecție a auzului, în funcție de tipul și utilizarea sculei electrice, reduce riscul de rănire.
- c) **Evitați punerea în funcțiune neintenționată.** Asigurați-vă că scula electrică este oprită înainte de a o conecta la alimentarea cu curent și / sau la acumulator, de a o lua în mână sau de a o transporta. Transportul sculei electrice cu degetul pe comutator sau conectarea aparatului deja pornit la alimentarea cu curent pot provoca accidentări.
- d) **Îndepărtați sculele de reglare sau șurubelnițele, înainte de a porni scula electrică.** O sculă sau o cheie care se află într-o piesă rotativă a aparatului poate provoca accidentări.

- e) Evitați pozițiile anormale ale corpului. Aveți în vedere o poziție stabilă și mențineți-vă permanent echilibrul. Astfel puteți controla scula electrică mai bine în situații neașteptate.
- f) Purtați îmbrăcăminte adecvată. Nu purtați îmbrăcăminte largă sau bijuterii. Feriți părul, îmbrăcăminte și mănușile de piesele mobile. Îmbrăcăminte largă, bijuteriile sau părul lung pot fi agățate de piesele mobile.
- g) Dacă pot fi montate dispozitive de aspirare și de captare a prafului, asigurați-vă că acestea sunt conectate și că sunt utilizate corect. Utilizarea unui dispozitiv de aspirare a prafului poate reduce pericolurile provocate de praf.

#### 4. Utilizarea și manevrarea sculei electrice

- a) Nu suprasolicitați aparatul. Utilizați pentru lucrarea dvs. scula electrică destinată respectivei lucrări. Cu scula electrică adecvată lucrați mai bine și mai sigur în domeniul de putere specificat.
- b) Nu utilizați scule electrice al căror comutator este defect. O sculă electrică a cărei pornire sau oprire nu mai este posibilă, este periculoasă și trebuie reparată.
- c) Scoateți fișa din priză și / sau îndepărtați acumulatorul înainte de a efectua reglaje la aparat, de a schimba accesoriile sau de a pune aparatul deoparte. Această măsură de precauție împiedică pornirea neintenționată a sculei electrice.
- d) Păstrați sculele electrice neutilizate în locuri inaccesibile copiilor. Nu permiteți ca aparatul să fie utilizat de persoane care nu sunt familiarizate cu aparatul sau care nu au citit aceste instrucțiuni. Sculele electrice sunt periculoase dacă sunt utilizate de persoane fără experiență.
- e) Îngrijiți sculele electrice cu atenție. Verificați dacă piesele mobile funcționează ireproșabil și dacă nu se blochează, dacă există piese rupte sau deteriorate în așa fel încât să fie afectată funcționarea sculei electrice. Solicitați repararea pieselor deteriorate înainte de utilizarea aparatului. Multe accidente sunt provocate de întreținerea necorespunzătoare a sculelor electrice.

- f) Mențineți sculele de tăiere ascuțite și curate. Sculele de tăiere îngrijite cu atenție, cu muchii de tăiere ascuțite se blochează mai rar și sunt mai ușor de controlat.
- g) Utilizați sculele electrice, accesoriile, capetele atașabile etc. conform acestor instrucțiuni. În același timp aveți în vedere condițiile de muncă și activitatea de executat. Utilizarea sculelor electrice pentru alte aplicații decât cele prevăzute poate duce la situații periculoase.

#### 5. Service

- a) Solicitați repararea sculei dvs. electrice numai de către personal calificat și numai cu piese de schimb originale. Astfel se asigură menținerea siguranței sculei electrice.
- b) Solicitați întotdeauna producătorului sculei electrice sau serviciului clienți al acestuia înlocuirea ștecărului sau a cablului de conexiune. Astfel se asigură menținerea siguranței sculei electrice.

#### Indicații de siguranță specifice pentru șlefuitoare

- Asigurați reperul. Un reper prins cu dispozitive de prindere sau cu o menghină este fixat mai sigur decât cu mâna dvs.
- Nu vă sprijiniți în niciun caz mâinile în apropierea sau în fața aparatului ori a suprafeței de prelucrat, deoarece există pericol de rănire în cazul alunecării.
- În caz de pericol, decuplați imediat ștecărul din priză.
- Dirijați cablul de alimentare întotdeauna în spatele aparatului.
- **PERICOL DE INCENDIU PRIN DEGAJAREA SCÂNTEILOR!** La șlefuirea metalelor sunt degajate scântei. Din acest motiv se va avea în vedere să nu fie periclitare persoane, iar în apropierea zonei de lucru să nu se aflu materiale inflamabile.

#### **⚠ AVERTIZARE! VAPORI TOXICI!**

- Praful dăunător / toxic degajat la prelucrare prezintă pericol pentru sănătatea utilizatorului sau a persoanelor aflate în apropiere.

**⚠️ AVERTIZARE!**

**PERICOL DIN CAUZA PRAFULUI!**

- ▶ În cazul prelucrării pe o durată mai îndelungată a lemnului și în special a materialelor generatoare de pulberi periculoase pentru sănătate, aparatul se va conecta la un dispozitiv extern adecvat de aspirare a prafului. Purtați ochelari de protecție și mască antipraf!
- Asigurați o aerisire suficientă la prelucrarea materialului plastic, vopselei, lacului etc.
- Nu impregnați materialele sau suprafețele de prelucrat cu lichide pe bază de solvenți.
- Nu prelucrați materiale umezite sau suprafețe umede.
- Evitați șlefuirea vopselei cu conținut de plumb sau alte materiale dăunătoare pentru sănătate.
- Este interzisă prelucrarea materialelor cu conținut de azbest. Azbestul este cancerigen.
- Evitați contactul cu discul de șlefuit aflat în mișcare.
- Utilizați aparatul numai cu discul de șlefuit montat.
- Nu folosiți niciodată aparatul în alt scop și utilizați-l numai cu piese / accesorii originale. Utilizarea altor piese sau accesorii decât cele recomandate în instrucțiunile de utilizare poate constitui pericol de accidentare.
- Așteptați întotdeauna oprirea aparatului scos din funcțiune înainte de a-l așeza deoparte.
- Aparatul trebuie să fie permanent curat, uscat și să nu prezinte ulei sau unsori.

**Punerea în funcțiune**

**⚠️ PRECAUȚIE!**

- ▶ Înaintea de a-l conecta la alimentarea electrică asigurați-vă că aparatul este oprit.

**INDICAȚIE**

- ▶ Porniți întotdeauna șlefuitorul înainte de contactul cu materialului și abia apoi deplasați aparatul pe piesa de prelucrat.

**Pornirea aparatului:**

- ◆ Apăsăți comutatorul PORNIT / OPRIT **8** în poziția „I”.

**Oprirea aparatului:**

- ◆ Apăsăți comutatorul PORNIT / OPRIT **8** în poziția „0”.

**Aspirarea prafului**

**⚠️ AVERTIZARE! PERICOL DE INCENDIU!**

- ▶ Pericol de incendiu la lucrul cu scule electrice care dispun de o cutie de colectare a prafului sau care pot fi conectate la un aspirator prin intermediul unui dispozitiv de aspirare a prafului! În condiții neprielnice, de exemplu la degajarea scânteilor, șlefuirea metalului sau resturilor metalice din lemn, praful de lemn din sacul de colectare a prafului (sau din pungă aspiratorului) se poate aprinde. Acest lucru se poate produce în special atunci când praful de lemn este amestecat cu resturi de lac sau alte substanțe chimice, iar piesa șlefuită este fierbinte după prelucrarea îndelungată. De aceea evitați întotdeauna supraîncălzirea piesei șlefuite și a aparatului și golii cutia de colectare a prafului, respectiv punga aspiratorului înainte de pauzele de lucru.

**Purtați o mască antipraf!**

**⚠️ AVERTIZARE!**

- ▶ Înaintea efectuării lucrărilor la aparat scoateți întotdeauna ștecărul din priză.



## Cutia de colectare a prafului pentru aspirația integrată

### Conectarea:

- ◆ Împingeți cutia de colectare a prafului pentru aspirația integrată **4b** până la limită pe șlefuitor.

### Îndepărtarea:

- ◆ Apăsăți tasta de deblocare **5** a cutiei de colectare a prafului pentru aspirația integrată **4b** și trageți-o înapoi.

### INDICAȚIE

- ▶ În vederea unei aspirări optime, goliți la timp cutia de colectare a prafului pentru aspirația integrată **4b**.

- ◆ Pentru aceasta scoateți cutia de colectare a prafului **4b** de la aparat conform descrierii anterioare. Deschideți cutia de colectare a prafului prin tragerea eclisei **4a** și îndepărtați capacul. Acum curățați temeinic ambele piese prin scuturare.

## Piesa de reducere

### Conectarea:

- ◆ Împingeți piesa de reducere **3** în conexiunea adaptorului **2**.
- ◆ Împingeți furtunul unui dispozitiv adecvat de aspirare a prafului (de exemplu un aspirator industrial) pe piesa de reducere **3**.

### Îndepărtarea:

- ◆ Detașați furtunul dispozitivului de aspirare a prafului de la piesa de reducere **3**.
- ◆ Detașați piesa de reducere **3**.

## Fixarea / detașarea discului de șlefuit

### ⚠ AVERTIZARE!

- ▶ Înaintea efectuării lucrărilor la aparat scoateți întotdeauna ștecărul din priză.

### Fixarea:

- ◆ Discul de șlefuit poate fi fixat cu scai de placa de șlefuit **7**.

### Detașarea:

- ◆ Detașați pur și simplu discul de șlefuit de pe placa de șlefuit **7** (a se vedea fig. A).

## Rotirea plăcii de șlefuit

### ⚠ AVERTIZARE!

- ▶ Înaintea efectuării lucrărilor la aparat scoateți întotdeauna ștecărul din priză.

- ◆ Rotiți placa de șlefuit **7** în poziția dorită (a se vedea fig. B).

### Deburarea și suprafața:

Puterea de deburare și calitatea suprafeței depind de granulația discului de șlefuit.

- ◆ Pentru prelucrarea diferitelor materiale se va avea în vedere utilizarea discurilor de șlefuit corespunzătoare cu granulații diferite.

## Instrucțiuni de lucru

- Porniți aparatul întotdeauna înaintea utilizării pe piesa de prelucrat.
- Lucrați exercitând o presiune redusă.
- Lucrați cu un avans uniform.
- Înlocuiți la timp discurile de șlefuit.
- Nu șlefuiți materiale diferite cu același disc de șlefuit (de exemplu întâi lemn, apoi metal). O șlefuire optimă poate fi obținută numai prin utilizarea discurilor de șlefuit în stare perfectă.
- Curățați discul de șlefuit la anumite intervale cu aspiratorul.
- Șlefuiți punctele greu accesibile cu muchia frontală sau laterală a discului de șlefuit pe placa de șlefuit 7.
- Executați șlefuirea paralel și suprapus pe liniile de șlefuire.
- După finalizarea prelucrării ridicați aparatul de pe piesă și abia apoi opriți-l.

## Întreținerea și curățarea

### **⚠ AVERTIZARE!**

- ▶ Înaintea efectuării lucrărilor la aparat scoateți întotdeauna ștecărul din priză.

Șlefuitorul nu necesită întreținere.

- Curățați aparatul imediat după terminarea lucrului.
- Pentru curățarea carcasei utilizați o lavetă uscată.
- Îndepărtați praful de șlefuire aderent cu o pensulă.
- Nu utilizați în niciun caz obiecte ascuțite, benzină, solvenți sau agenți de curățare care atacă materialul plastic. Evitați infiltrarea lichidelor în interiorul aparatului.
- Mențineți întotdeauna libere orificiile de aerisire 6.

## Garanția

**Pentru acest aparat se acordă o garanție de 3 ani de la data cumpărării. Aparatul a fost produs cu grijă și verificat cu rigurozitate înaintea livrării. Păstrați bonul de casă pentru a dovedi cumpărarea. În caz de defecțiuni în perioada de garanție, contactați telefonic centrul dvs. de service. Numai astfel poate fi asigurată o expediere gratuită a produsului dvs.**

Garanția acoperă numai defectele de material sau de fabricație, nu și deteriorările rezultate în urma transportului, piesele de uzură sau deteriorările apărute la componentele fragile, de ex. comutatoare sau acumulatori. Aparatul este destinat numai uzului privat și nu utilizărilor profesionale.

În cazul manevrării abuzive sau necorespunzătoare, al uzului de forță și al intervențiilor care nu au fost realizate de către filiala noastră autorizată de service, garanția își pierde valabilitatea. Drepturile dvs. legale nu sunt limitate prin această garanție. Perioada de garanție nu este prelungită după efectuarea reparațiilor realizate în perioada de garanție. Acest lucru este valabil și pentru piesele înlocuite și reparate. Deteriorările și deficiențele prezente deja la cumpărare trebuie semnalate imediat după dezambalare sau în cel mult două zile de la data cumpărării. Reparațiile necesare după expirarea perioadei de garanție se efectuează contra cost.

## Service-ul

**RO Service România**  
 Tel.: 0800896637  
 E-Mail: [kompernass@idl.ro](mailto:kompernass@idl.ro)  
 IAN 100087

### Acces linie telefonică directă:

De luni până vineri, între orele 8:00 - 20:00 (CET)

## Importator

KOMPERNASS HANDELS GMBH  
 BURGSTRASSE 21  
 44867 BOCHUM  
 GERMANY  
[www.kompernass.com](http://www.kompernass.com)

## Eliminarea



Ambalajul este format din materiale ecologice pe care le puteți elimina la centrele locale de eliminare a deșeurilor.



**Nu aruncați sculele electrice la guno-  
iul menajer!**

Potrivit Directivei 2012/19/EU privind deșeurile de echipamente electrice și electronice și legislației de transpunere în dreptul național, sculele electrice uzate trebuie colectate separat și eliminate la un punct de reciclare ecologic.

Informații despre posibilitățile de eliminare a aparatului uzat puteți obține din partea administrației locale.

## Traducerea declarației de conformitate originale

KOMPERNASS HANDELS GMBH, responsabil cu documentația: dl Semi Uguzlu, BURGSTR. 21, 44867 BOCHUM, GERMANIA, declarăm prin prezenta că acest produs corespunde următoarelor norme, documente normative și directive CE:

**Directiva privind echipamentele tehnice  
(2006 / 42 / EC)**

**Directiva privind echipamentele tehnice  
de joasă tensiune  
(2006 / 95 / EC)**

**Directiva privind compatibilitatea  
electromagnetică  
(2004 / 108 / EC)**

**Directiva privind restricțiile de utilizare  
a anumitor substanțe periculoase în  
echipamentele electrice și electronice  
(2011 / 65 / EU)**

### Norme armonizate aplicate:

EN 60745-1 / A11: 2010

EN 60745-2-4 / A11: 2011

EN 62233: 2008

EN 55014-1 / A1: 2009

EN 55014-2 / A2: 2008

EN 61000-3-2 / A2: 2009

EN 61000-3-3: 2008

### Tip / denumire aparat:

Șlefuitor manual PHS 160 B3

**An de fabricație: 04-2014**

**Număr de serie: IAN 100087**

Bochum, 07.03.2014



Semi Uguzlu  
- Manager calitate -

Ne rezervăm dreptul asupra modificărilor tehnice în scopul dezvoltării ulterioare.

# Съдържание

<b>Въведение</b> .....	<b>18</b>
Употреба по предназначение .....	18
Оборудване .....	18
Окомплектовка на доставката .....	18
Технически характеристики .....	18
<b>Общи указания за безопасност за електрически инструменти.</b> .....	<b>19</b>
1. Безопасност на работното място .....	19
2. Електрическа безопасност .....	19
3. Безопасност на хората .....	19
4. Употреба и обслужване на електрическия инструмент .....	20
5. Сервиз .....	20
Указания за безопасност, специфични за ръчни шлифовъчни машини .....	21
<b>Пускане в експлоатация.</b> .....	<b>21</b>
Изсмукване на праха .....	22
Кутия за прах за собствено изсмукване на праха .....	22
Преходна муфа .....	22
Монтиране/Демонтиране на шлифовъчния диск .....	22
Завъртане на шлифовъчната плоча .....	23
Указания за работа .....	23
<b>Поддръжка и почистване</b> .....	<b>23</b>
<b>Гаранция.</b> .....	<b>24</b>
<b>Сервиз</b> .....	<b>24</b>
<b>Вносител</b> .....	<b>24</b>
<b>Предаване за отпадъци</b> .....	<b>24</b>
<b>Превод на оригиналната декларация за съответствие</b> .....	<b>25</b>

## РЪЧНА ШЛАЙФМАШИНА PHS 160 B3

### Въведение



Поздравяваме ви за покупката на вашия нов уред. Избрали сте висококачествен продукт. Ръководството за потребителя

е част от този продукт. То съдържа важни указания относно безопасността, употребата и предаването за отпадъци. Преди да използвате продукта, се запознайте с всички указания за обслужване и безопасност. Използвайте продукта единствено според описанието и за указанията на приложение. Предавайте продукта на трети лица заедно с цялата документация.

### Употреба по предназначение

В зависимост от абразивната хартия уредът е предназначен за сухо шлифоване на дърво, метал, шпакловка, както и лакирани повърхности. Уредът е особено подходящ за ъгли, профили и други трудно достъпни места. Всяка друга употреба или промяна на уреда се счита за нецелесъобразна и крие значителни опасности от злополука. За повреди вследствие на употреба, която не отговаря на предназначението, не поемаме отговорност. Уредът не е предназначен за професионална употреба.

### Оборудване

- 1 Захранващ кабел
- 2 Адаптер
- 3 Преходна муфа за изсмукване на праха с външен уред
- 4a Езиче (кутия за прах)
- 4b Кутия за прах за собствено изсмукване на праха
- 5 Бутон за деблокиране на кутията за прах
- 6 Вентилационни отвори
- 7 Патентована шлифовъчна плоча (въртяща се на 360°)
- 8 Бутон за ВКЛ./ИЗКЛ.

### Окомплектовка на доставката

- 1 РЪЧНА ШЛАЙФМАШИНА PHS 160 B3
- 1 Шлифовъчен диск (зърнестост 120)
- 1 Преходна муфа за изсмукване на праха с външен уред
- 1 Ръководство за потребителя

### Технически характеристики

Номинална консумирана мощност:	160 W
Номинално напрежение:	230 V ~ 50 Hz
Номинални обороти: $n_0$	13 000 min <sup>-1</sup>
Номинална честота на вибрациите: $n_0$	26000 min <sup>-1</sup>
Шлифовъчна плоча:	въртяща се на 360°
Клас на защита:	II/□

### Данни за шум и вибрации:

Измерената стойност за шум е определена съгласно EN 60745. Измереното по скала „А“ ниво на шума на електрическия инструмент е обикновено както следва:

Ниво на звука:	80 dB(A)
Ниво на звукова мощност:	91 dB(A)
Възможна неточност на измерването K:	3 dB

### Носете антифони!

### Нормирано ускорение, обикновено:

Вибрация на китката/ръката  $ah = 4,7 \text{ m/s}^2$   
 Възможна неточност при измерването  $K = 1,5 \text{ m/s}^2$

Посоченото в тези указания ниво на вибрациите е измерено съгласно нормиран в EN 60745 метод на измерване и може да се използва за сравняване на уреди. Посочената стойност на вибрационните емисии може да се използва и за начална оценка на експозицията. Нивото на вибрациите се променя според употребата на електрическия инструмент и в някои случаи може да бъде над посочената в тези указания

стойност. Вибрационното натоварване може да бъде подценено, ако електрическият инструмент се използва редовно по този начин.

За точна оценка на вибрационното натоварване по време на определен работен период от време трябва да се вземат под внимание и времената, в които уредът е изключен или работи, но в действителност не се използва. Това може да намали значително вибрационното натоварване за целия работен период от време.



## Общи указания за безопасност за електрически инструменти

### ПРЕДУПРЕЖДЕНИЕ!

- ▶ Прочетете всички указания за безопасност и инструкции. Пропуски при спазването на указанията за безопасност и инструкциите могат да причинят токов удар, пожар и/или тежки наранявания.

Запазете всички указания за безопасност и инструкции за бъдещи справки.

Използваният в указанията за безопасност термин „електрически инструмент“ се отнася за работещи със захранване от мрежата електрически инструменти (със захранващ кабел) и за работещи с акумулаторни батерии електрически инструменти (без захранващ кабел).

### 1. Безопасност на работното място

- а) Поддържайте работното си място чисто и добре осветено. Безпорядък и неосветени работни места могат да причинят злополуки.
- б) Не работете с електрически инструмент в потенциално експлозивна среда, в която има запалими течности, газове или прахове. Електрическите инструменти образуват искри, които могат да запалят праха или парите.
- в) По време на ползване на електрическия инструмент дръжте на разстояние деца и други лица. При отвлечане на вниманието е възможно да загубите контрол над инструмента.

## 2. Електрическа безопасност

- а) Щепселът на електрическия инструмент (респ. захранващия блок) трябва да е подходящ за контакта. Щепселът не трябва да се променя по никакъв начин.  
Не използвайте преходни щепсели заедно със защитно заземените електрически инструменти. Щепселите, по които не са правени промени, и подходящите електрически контакти намаляват риска от токов удар.
  - б) Избягвайте контакт на тялото със заземените повърхности, като например тръби, радиатори, печки и хладилници. Съществува повишен риск от токов удар, когато тялото ви е заземено.
  - в) Пазете електрическите инструменти от дъжд и влага. Проникването на вода в електрически уреди повишава риска от токов удар.
  - г) Не променяйте предназначението на кабела, например за носене или окачване на електрическия инструмент с него или за дърпане на щепсела от контакта. Пазете кабела от нагряване, масло, остри ръбове или движещи се части на уреда. Повредени или оплетени кабели увеличават риска от токов удар.
  - д) Когато работите на открито с електрически инструмент, използвайте само удължители, които са разрешени за ползване на открито. Употребата на годни за работа на открито удължители намалява риска от токов удар.
  - е) Когато работата с електрически инструмент във влажна обстановка е неизбежна, използвайте прекъсвач с дефектнотокова защита. Използването на прекъсвач с дефектнотокова защита намалява риска от токов удар.
- ### 3. Безопасност на хората
- а) Винаги бъдете внимателни, съсредоточете се върху това, което извършвате, и подхождайте разумно към работата с електрически инструменти. Не използвайте електрически инструмент, когато сте уморени или сте под въздействието на наркотици, алкохол или медикаменти. Един момент невнимание при работа с електрическия инструмент може да доведе до сериозни наранявания.

- б) Използвайте лични предпазни средства и винаги носете защитни очила. Използването на лични предпазни средства като прахозащитна маска, устойчиви на плъзгане защитни обувки, каска или антифони – в зависимост от вида и приложението на електрическия инструмент – намалява риска от наранявания.
- в) Избягвайте неволно пускане. Уверете се, че електрическият инструмент е изключен, преди да го свържете към електрозахранването и/или акумулаторната батерия, да го вземете или носите. Когато при носене на електрическия инструмент държите пръста си на превключателя или свържете вече включен уред към електрозахранването, са възможни злополуки.
- г) Отстранявайте инструментите за настройка или гаечните ключове, преди да включите електрическия инструмент. Намиращ се във въртяща се част на уреда инструмент или ключ може да причини наранявания.
- д) Избягвайте неестествено положение на тялото. Заемете стабилна позиция и винаги пазете равновесие. Така ще можете да контролирате по-добре електрическия инструмент в неочаквани ситуации.
- е) Носете подходящо работно облекло. Не носете широки дрехи или бижута. Дръжте косите, облеклото и ръкавиците си далече от движещи се части. Свободните дрехи, бижутата и дългите коси могат да бъдат захванати от движещи се части.
- ж) Ако има възможност за монтиране на прахосмукачки и прахоуловители, се уверете, че са свързани и се използват правилно. Използването на прахосмукачка може да намали опасностите поради наличие на прах.

#### **4. Употреба и обслужване на електрическия инструмент**

- а) Не претоварвайте електрическия инструмент. За работата си използвайте предназначения за нея електрически инструмент. С подходящия електрически инструмент ще работите по-добре и по-безопасно в посочения работен диапазон.

- б) Не използвайте електрически инструмент с повреден превключвател. Електрически инструмент, който не може да се включва и изключва, е опасен и трябва да се ремонтира.
- в) Изключвайте щепсела от контакта и/или отстранете акумулаторната батерия, преди да предприемете настройки на уреда, да смените принадлежности или да оставите уреда. Тази предпазна мярка предотвратява неволното пускане на електрическия инструмент.
- г) Съхранявайте електрическите инструменти, когато не ги използвате, извън обсега на деца. Не позволявайте използването на уреда от хора, които не са запознати с него и не са прочели тези указания. Електрическите инструменти са опасни, ако се ползват от неопитни хора.
- д) Поддържайте старателно електрическия инструмент. Проверявайте дали движещите се части функционират правилно и не се заклиняват, дали има счупени части или части, които са повредени така, че да съществува опасност за функционирането на електрическия инструмент. Преди използването на уреда повредените части трябва да се поправят. Причина за много злополуки е лоша поддръжка на електрическите инструменти.
- е) Поддържайте режещите инструменти остри и чисти. Старателно поддържаните режещи инструменти с остри режещи ръбове се заклиняват по-рядко и се направяват по-лесно.
- ж) Използвайте електрическия инструмент, принадлежностите, сменяемите инструменти и т.н. в съответствие с тези указания. Вземайте под внимание работните условия и извършваната дейност. Употребата на електрически инструменти за други, различни от предвидените приложения може да доведе до опасни ситуации.

#### **5. Сервиз**

- а) Електрическият инструмент трябва да се ремонтира само от квалифицирани специалисти и само с оригинални резервни части. С това се гарантира, че безопасността на електрическия инструмент ще бъде запазена.

BG

- б) Смяната на щепсела или на захранващия кабел винаги трябва да се извършва от производителя на електрическия инструмент или неговата сервизна служба. С това се гарантира, че безопасността на електрическият инструмент ще бъде запазена.

### Указания за безопасност, специфични за ръчни шлифовъчни машини

- Фиксирайте обработвания детайл. Фиксирането на обработвания детайл посредством затегателно приспособление или менгеме е по-стабилно, отколкото с ръка.
- Никога не опирайте ръце до или пред уреда или обработваната повърхност, тъй като съществува опасност от нараняване в случай на изплъзване.
- При опасност незабавно изключете щепсела от контакта.
- Винаги отвеждайте мрежовия кабел в посока назад от уреда.
- **ОПАСНОСТ ОТ ПОЖАР ПОРАДИ ИСКРЕНЕ!** При шлифоването на метали се образува искрене. Затова задължително се уверете, че не съществува опасност за лица и в близост до работната зона не се намират горими материали.

#### **⚠ ПРЕДУПРЕЖДЕНИЕ! ОТРОВНИ ПАРИ!**

- ▶ Образуващите се по време на обработката вредни/отровни прахове представляват опасност за здравето на оператора или на намиращите се в близост лица.

#### **⚠ ПРЕДУПРЕЖДЕНИЕ! ОПАСНОСТ ОТ ПРАХ!**

- ▶ При по-продължителна обработка на дърво и особено при обработка на материали, при която се образуват застрашаващи здравето прахове, свържете уреда към подходящо външно съоръжение за изсмукване на прах. Носете защитни очила и прахозащитна маска!
- Осигурете достатъчно проветряване по време на обработване на пластмасови материали, бои, лакове и т.н.

- Не напоявайте материалите или подлежащите на обработка повърхности в течности, съдържащи разтворители.
- Не обработвайте навлажнени материали и влажни повърхности.
- Избягвайте шлифоване на съдържащи олово бои или други вредни за здравето материали.
- Не обработвайте материали, съдържащи азбест. Азбестът се счита за канцерогенен.
- Избягвайте контакт с работещия шлифовъчен диск.
- Използвайте уреда единствено с монтиран шлифовъчен диск.
- Използвайте уреда само по предназначение и с оригинални части/принадлежности. Употребата на части или други принадлежности, различни от препоръчаните в това ръководството за потребителя, може да причини опасност от нараняване.
- Изчакайте изключения уред да спре напълно, преди да го оставите.
- Уредът трябва да е винаги чист, сух и без замърсявания от масло или смазки.

### Пускане в експлоатация

#### **⚠ ПОВИШЕНО ВНИМАНИЕ!**

- ▶ Преди включване към електрозахранването се уверете, че уредът е изключен.

#### **УКАЗАНИЕ**

- ▶ Винаги включвайте ръчната шлифовъчна машина непосредствено преди контакт с материала и едва тогава прокарайте уреда по повърхността на детайла.

#### Включване на уреда:

- ◆ Натиснете бутона за ВКЛ./ИЗКЛ. **8** в положение „1“.

#### Изключване на уреда:

- ◆ Натиснете бутона за ВКЛ./ИЗКЛ. **8** в положение „0“.



## Изсмукване на праха

### **⚠ ПРЕДУПРЕЖДЕНИЕ! ОПАСНОСТ ОТ ПОЖАР!**

- ▶ При работа с електрически инструменти, които са оборудвани с кутия за улавяне на прах или могат да се свързват с прахосмукачка посредством приспособление за изсмукване на прах, съществува опасност от пожар! При неблагоприятни условия, като напр. искрене, шлифоване на метал или остатъци от метал в дърво, е възможно samozапалване на дървения прах в прахоуловителя (или в торбичката за прах на прахосмукачката). Това е възможно преди всичко когато дървеният прах е смесен с остатъци от лак или други химични вещества и шлифованият материал се нагорещи след продължителна обработка. Затова задължително избягвайте прегряване на шлифования материал или на уреда и преди почивки винаги изпразвайте кутията за улавяне на прах респ. торбичката за прах на прахосмукачката.

Носете прахозащитна маска!

### **⚠ ПРЕДУПРЕЖДЕНИЕ!**

- ▶ Преди извършване на работи по уреда винаги изключвайте щепсела от контакта.

## Кутия за прах за собствено изсмукване на праха

Свързване:

- ◆ Монтирайте кутията за прах за собствено изсмукване **4b** до упор на ръчната шлифовъчна машина.

Изваждане:

- ◆ Натиснете бутона за деблокиране **5** на кутията за прах за собствено изсмукване **4b** и я изтеглете назад.

### **УКАЗАНИЕ**

- ▶ За осигуряване на оптимална изсмукваща мощност изпразвайте своевременно кутията за прах за собствено изсмукване **4b**.

- ◆ За целта извадете кутията за прах **4b** от уреда съгласно описанието по-горе. Отворете кутията за прах чрез издърпване на езичето **4a** и извадете капака. Почистете надлежно двете части чрез изтръскване.

## Преходна муфта

Свързване:

- ◆ Поставете преходната муфта **3** в адаптера **2**.
- ◆ Поставете маркуча на разрешено за употреба приспособление за изсмукване на прах (напр. сервизна прахосмукачка) на преходната муфта **3**.

Изваждане:

- ◆ Извадете маркуча на приспособлението за изсмукване на прах от преходната муфта **3**.
- ◆ Свалете преходната муфта **3**.

## Монтиране/Демонтиране на шлифовъчния диск

### **⚠ ПРЕДУПРЕЖДЕНИЕ!**

- ▶ Преди извършване на работи по уреда винаги изключвайте щепсела от контакта.

Монтиране:

- ◆ Можете да монтирате шлифовъчния диск на шлифовъчната плоча **7** посредством велкро.

Демонтиране:

- ◆ Просто свалете шлифовъчния диск от шлифовъчната плоча **7** (вж. Фиг. А).

## Завъртане на шлифовъчната плоча

### ПРЕДУПРЕЖДЕНИЕ!

- ▶ Преди извършване на работи по уреда винаги изключвайте щепсела от контакта.
- ◆ Завъртете шлифовъчната плоча **7** в желаната позиция (вж. Фиг. В).

### Отнемане и повърхност:

Производителността на отнемане и качеството на повърхността зависят от зърнестостта на шлифовъчния диск.

- ◆ Обърнете внимание, че за обработването на различните материали са необходими шлифовъчни дискове с различна зърнестост.

### Указания за работа

- Прокарвайте уреда само във включено състояние по детайла.
- Работете със слабо притискане.
- Работете с равномерно подаване.
- Сменяйте шлифовъчните дискове своевременно.
- Никога не шлифовайте различни материали с един и същ шлифовъчен диск (напр. дърво и непосредствено след това метал).  
Добри резултати от шлифоването се постигат единствено с шлифовъчни дискове в изрядно състояние.
- От време на време почиствайте шлифовъчния диск с прахосмукачка.
- Шлифовайте трудно достъпни места с предния или страничния ръб на шлифовъчния диск на шлифовъчната плоча **7**.
- Извършвайте процеса на шлифоване успоредно и с припокриване на шлифовъчните линии.
- След обработката вдигнете уреда от детайла и го изключете.

## Поддръжка и почистване

### ПРЕДУПРЕЖДЕНИЕ!

- ▶ Преди извършване на работи по уреда винаги изключвайте щепсела от контакта.

Ръчната шлифовъчна машина не се нуждае от техническа поддръжка.

- Почиствайте уреда непосредствено след приключване на работата.
- За почистване на корпуса използвайте суха кърпа.
- Отстранете полепналия шлифовъчен прах с четка.
- В никакъв случай не използвайте остри предмети, бензин, разтворител или почистващ препарат, който разяжда пластмасата. Не допускайте попадане на течности във вътрешността на уреда.
- Винаги поддържайте свободни вентилационните отвори **6**.

## Гаранция

За този уред вие получавате гаранция от 3 години от датата на закупуване. Уредът е произведен старателно и е изпитан щателно преди доставката. Запазете касовата бележка като доказателство за покупката. Ако се наложи да се възползвате от гаранцията, първо се свържете по телефона със сервиза. Само по този начин може да се осигури безплатно връщане на вашата стока.

Предоставянето на гаранция важи само за материални или фабрични дефекти, но не и за транспортни щети, изнасящи се части или при повреда на лесно чупливи части, напр. превключватели или акумулаторни батерии. Продуктът е предназначен единствено за битова, а не за професионална употреба.

При неправилна и нецелесъобразна употреба, упражняване на сила или ремонтни дейности, които не са извършени от нашия оторизиран сервизен филиал, гаранцията отпада. Законите ви права не се ограничават от тази гаранция.

Гаранционният срок не се удължава от гаранцията. Това важи и за сменени и ремонтирани части. Евентуално наличните още при закупуването повреди и дефекти трябва да се съобщят незабавно след разопаковането, но най-късно два дни след датата на закупуване. След като изтече гаранционният срок, ремонтите се заплащат.

## Сервиз

**BG** Сервизно обслужване България  
Тел.: 00800 111 4920  
Е-мейл: kompernass@idl.bg

IAN 100087

**Работно време на горещата линия:**  
понеделник до петък от 8:00 ч. – 20:00 ч.  
(централноевропейско време)

## Вносител

KOMPERNASS HANDELS GMBH  
BURGSTRASSE 21  
44867 BOCHUM  
GERMANY  
www.kompernass.com

## Предаване за отпадъци



Опаковката е произведена от екологични материали, които могат да се предават в местните пунктове за рециклиране.



**Не изхвърляйте електрическите инструменти с битовите отпадъци!**

Съгласно европейската директива 2012/19/EU относно отпадъците от електрическо и електронно оборудване и транспонирането в националното законодателство излезлите от употреба електрически инструменти трябва да се събират отделно и да се предават за екологосъобразно рециклиране.

Информация за възможностите за изхвърляне на излезлия от употреба уред можете да получите от вашата общинска или градска управа.

## Превод на оригиналната декларация за съответствие

Ние, KOMPENASS HANDELS GMBH, отговорник за документацията: г-н Semi Uguzlu, BURGSTR. 21, 44867 BOCHUM, ГЕРМАНИЯ, декларираме, че този продукт съответства на следните стандарти, нормативни документи и директиви на ЕО:

**Директива относно машините (2006/42/ЕС)**

**Директива за съоръжения за ниско напрежение (2006/95/ЕС)**

**Електромагнитна съвместимост (2004/108/ЕС)**

**Директива относно ограничението за употребата на определени опасни вещества в електрическото и електронното оборудване (ЕЕО) (2011/65/EU)**

Приложени хармонизирани стандарти:

EN 60745-1/A11: 2010

EN 60745-2-4/A11: 2011

EN 62233: 2008

EN 55014-1/A1: 2009

EN 55014-2/A2: 2008

EN 61000-3-2/A2: 2009

EN 61000-3-3: 2008

Тип/Обозначение на уреда:

РЪЧНА ШЛАЙФМАШИНА PHS 160 B3

Година на производство: 04-2014

Сериен номер: IAN 100087

Бохум, 7.3.2014 г.




Semi Uguzlu

- Мениджър качество -

Запазено право на технически изменения с цел усъвършенстване



# Inhaltsverzeichnis

<b>Einleitung</b> .....	<b>28</b>
Bestimmungsgemäßer Gebrauch .....	28
Ausstattung .....	28
Lieferumfang .....	28
Technische Daten .....	28
<b>Allgemeine Sicherheitshinweise für Elektrowerkzeuge</b> .....	<b>29</b>
1. Arbeitsplatz-Sicherheit .....	29
2. Elektrische Sicherheit .....	29
3. Sicherheit von Personen .....	29
4. Verwendung und Behandlung des Elektrowerkzeugs .....	30
5. Service .....	30
Gerätespezifische Sicherheitshinweise für Handschleifer .....	31
<b>Inbetriebnahme</b> .....	<b>31</b>
Staubabsaugung .....	32
Staubbox zur Eigenabsaugung .....	32
Reduzierstück .....	32
Schleifblatt anbringen / abziehen .....	32
Schleifplatte drehen .....	32
Arbeitshinweise .....	33
<b>Wartung und Reinigung</b> .....	<b>33</b>
<b>Garantie</b> .....	<b>33</b>
<b>Service</b> .....	<b>33</b>
<b>Importeur</b> .....	<b>34</b>
<b>Entsorgung</b> .....	<b>34</b>
<b>Original-Konformitätserklärung</b> .....	<b>34</b>

## HANDSCHLEIFER

### PHS 160 B3

#### Einleitung



Wir beglückwünschen Sie zum Kauf Ihres neuen Gerätes. Sie haben sich damit für ein hochwertiges Produkt entschieden. Die

Bedienungsanleitung ist Teil dieses Produkts. Sie enthält wichtige Hinweise für Sicherheit, Gebrauch und Entsorgung. Machen Sie sich vor der Benutzung des Produkts mit allen Bedien- und Sicherheitshinweisen vertraut. Benutzen Sie das Produkt nur wie beschrieben und für die angegebenen Einsatzbereiche. Händigen Sie alle Unterlagen bei Weitergabe des Produkts an Dritte mit aus.

#### Bestimmungsgemäßer Gebrauch

Das Gerät ist – je nach Schleifpapier – zum trockenen Schleifen von Holz, Kunststoff, Metall, Spachtelmasse sowie lackierten Oberflächen bestimmt. Das Gerät ist besonders geeignet für Ecken, Profile oder schwer zugängliche Stellen. Jede andere Verwendung oder Veränderung des Gerätes gilt als nicht bestimmungsgemäß und birgt erhebliche Unfallgefahren. Für aus bestimmungswidriger Verwendung entstandene Schäden übernehmen wir keine Haftung. Nicht für den gewerblichen Gebrauch bestimmt.

#### Ausstattung

- 1 Netzleitung
- 2 Adapteranschluss
- 3 Reduzierstück zur Fremdabsaugung
- 4a Lasche (Staubbox)
- 4b Staubbox zur Eigenabsaugung
- 5 Entriegelungstaste Staubbox
- 6 Lüftungsöffnungen
- 7 Patentierte Schleifplatte (360° drehbar)
- 8 EIN- / AUS-Schalter

#### Lieferumfang

- 1 Handschleifer PHS 160 B3
- 1 Schleifblatt (Körnung 120)
- 1 Reduzierstück zur Fremdabsaugung
- 1 Bedienungsanleitung

#### Technische Daten

Nennaufnahme:	160 W
Nennspannung:	230 V~ 50 Hz
Nenn Drehzahl:	$n_0$ 13000 min <sup>-1</sup>
Nennschwingzahl:	$n_0$ 26000 min <sup>-1</sup>
Schleifplatte:	360° drehbar
Schutzklasse:	II/□

#### Geräusch- und Vibrationsinformationen:

Messwert für Geräusch ermittelt entsprechend EN 60745. Der A-bewertete Geräuschpegel des Elektrowerkzeugs beträgt typischerweise:

Schalldruckpegel:	80 dB(A)
Schallleistungspegel:	91 dB(A)
Unsicherheit K:	3 dB

#### Gehörschutz tragen!

#### Bewertete Beschleunigung, typischerweise:

Hand- / Armvibration  $a_h = 4,7 \text{ m} / \text{s}^2$

Unsicherheit  $K = 1,5 \text{ m} / \text{s}^2$

Der in diesen Anweisungen angegebene Schwingungspegel ist entsprechend einem in EN 60745 genormten Messverfahren gemessen worden und kann für den Gerätevergleich verwendet werden. Der angegebene Schwingungsemissionswert kann auch zu einer einleitenden Einschätzung der Aussetzung verwendet werden. Der Schwingungspegel wird sich entsprechend dem Einsatz des Elektrowerkzeugs verändern und kann in manchen Fällen über dem in diesen Anweisungen angegebenen Wert liegen. Die Schwingungsbelastung könnte unterschätzt werden, wenn das Elektrowerkzeug regelmäßig in solcher Weise verwendet wird.

Für eine genaue Abschätzung der Schwingungsbelastung während eines bestimmten Arbeitszeitraumes sollten auch die Zeiten berücksichtigt werden, in denen das Gerät abgeschaltet ist oder zwar läuft, aber nicht tatsächlich im Einsatz ist. Dies kann die Schwingungsbelastung über den gesamten Arbeitszeitraum deutlich reduzieren.



## Allgemeine Sicherheitshinweise für Elektrowerkzeuge

### **⚠️ WARNUNG!**

- ▶ **Lesen Sie alle Sicherheitshinweise und Anweisungen.** Versäumnisse bei der Einhaltung der Sicherheitshinweise und Anweisungen können elektrischen Schlag, Brand und/oder schwere Verletzungen verursachen.

### **Bewahren Sie alle Sicherheitshinweise und Anweisungen für die Zukunft auf.**

Der in den Sicherheitshinweisen verwendete Begriff „Elektrowerkzeug“ bezieht sich auf netzbetriebene Elektrowerkzeuge (mit Netzkabel) und auf akkubetriebene Elektrowerkzeuge (ohne Netzkabel).

### **1. Arbeitsplatz-Sicherheit**

- a) Halten Sie Ihren Arbeitsbereich sauber und gut beleuchtet. Unordnung und unbeleuchtete Arbeitsbereiche können zu Unfällen führen.
- b) Arbeiten Sie mit dem Elektrowerkzeug nicht in explosionsgefährdeter Umgebung, in der sich brennbare Flüssigkeiten, Gase oder Stäube befinden. Elektrowerkzeuge erzeugen Funken, die den Staub oder die Dämpfe entzünden können.
- c) Halten Sie Kinder und andere Personen während der Benutzung des Elektrowerkzeugs fern. Bei Ablenkung können Sie die Kontrolle über das Gerät verlieren.

### **2. Elektrische Sicherheit**

- a) Der Anschlussstecker des Elektrowerkzeuges (bzw. Netzteils) muss in die Steckdose passen. Der Stecker darf in keiner Weise verändert werden. Verwenden Sie keine Adapterstecker gemeinsam mit schutzgeerdeten Elektrowerkzeugen. Unveränderte Stecker und passende Steckdosen verringern das Risiko eines elektrischen Schlages.
- b) Vermeiden Sie Körperkontakt mit geerdeten Oberflächen, wie von Rohren, Heizungen, Herden und Kühlschränken. Es besteht ein erhöhtes Risiko durch elektrischen Schlag, wenn Ihr Körper geerdet ist.

- c) Halten Sie Elektrowerkzeuge von Regen oder Nässe fern. Das Eindringen von Wasser in ein Elektrogerät erhöht das Risiko eines elektrischen Schlages.
- d) Zweckenfremden Sie das Kabel nicht, um das Elektrowerkzeug zu tragen, aufzuhängen oder um den Stecker aus der Steckdose zu ziehen. Halten Sie das Kabel fern von Hitze, Öl, scharfen Kanten oder sich bewegenden Geräteteilen. Beschädigte oder verwickelte Kabel erhöhen das Risiko eines elektrischen Schlages.
- e) Wenn Sie mit einem Elektrowerkzeug im Freien arbeiten, verwenden Sie nur Verlängerungskabel, die auch für den Außenbereich zugelassen sind. Die Anwendung eines für den Außenbereich geeigneten Verlängerungskabels verringert das Risiko eines elektrischen Schlages.
- f) Wenn der Betrieb des Elektrowerkzeuges in feuchter Umgebung nicht vermeidbar ist, verwenden Sie einen Fehlerstromschutzschalter. Der Einsatz eines Fehlerstromschutzschalters vermindert das Risiko eines elektrischen Schlages.

### **3. Sicherheit von Personen**

- a) Seien Sie stets aufmerksam, achten Sie darauf, was Sie tun und gehen Sie mit Vernunft an die Arbeit mit einem Elektrowerkzeug. Benutzen Sie kein Elektrowerkzeug, wenn Sie müde sind oder unter dem Einfluss von Drogen, Alkohol oder Medikamenten stehen. Ein Moment der Unachtsamkeit beim Gebrauch des Elektrowerkzeuges kann zu ernsthaften Verletzungen führen.
- b) Tragen Sie persönliche Schutzausrüstung und immer eine Schutzbrille. Das Tragen persönlicher Schutzausrüstung wie Staubmaske, rutschfeste Sicherheitsschuhe, Schutzhelm oder Gehörschutz, je nach Art und Einsatz des Elektrowerkzeuges, verringert das Risiko von Verletzungen.
- c) Vermeiden Sie eine unbeabsichtigte Inbetriebnahme. Vergewissern Sie sich, dass das Elektrowerkzeug ausgeschaltet ist, bevor Sie es an die Stromversorgung und/oder den Akku anschließen, es aufnehmen oder tragen. Wenn Sie beim Tragen des Elektrowerkzeuges den Finger am Schalter haben oder das Gerät bereits eingeschaltet an die Stromversorgung anschließen, kann dies zu Unfällen führen.



- d) Entfernen Sie Einstellwerkzeuge oder Schraubenschlüssel, bevor Sie das Elektrowerkzeug einschalten. Ein Werkzeug oder Schlüssel, der sich in einem drehenden Geräteteil befindet, kann zu Verletzungen führen.
  - e) Vermeiden Sie eine abnormale Körperhaltung. Sorgen Sie für einen sicheren Stand und halten Sie jederzeit das Gleichgewicht. Dadurch können Sie das Elektrowerkzeug in unerwarteten Situationen besser kontrollieren.
  - f) Tragen Sie geeignete Kleidung. Tragen Sie keine weite Kleidung oder Schmuck. Halten Sie Haare, Kleidung und Handschuhe fern von sich bewegenden Teilen. Lockere Kleidung, Schmuck oder lange Haare können von sich bewegenden Teilen erfasst werden.
  - g) Wenn Staubabsaug- und -auffangeinrichtungen montiert werden können, vergewissern Sie sich, dass diese angeschlossen sind und richtig verwendet werden. Die Verwendung einer Staubabsaugung kann Gefährdungen durch Staub verringern.
- e) Pflegen Sie Elektrowerkzeuge mit Sorgfalt. Kontrollieren Sie, ob bewegliche Teile einwandfrei funktionieren und nicht klemmen, ob Teile gebrochen oder so beschädigt sind, dass die Funktion des Elektrowerkzeuges beeinträchtigt ist. Lassen Sie beschädigte Teile vor dem Einsatz des Gerätes reparieren. Viele Unfälle haben ihre Ursache in schlecht gewarteten Elektrowerkzeugen.
  - f) Halten Sie Schneidwerkzeuge scharf und sauber. Sorgfältig gepflegte Schneidwerkzeuge mit scharfen Schneidkanten verkleben sich weniger und sind leichter zu führen.
  - g) Verwenden Sie Elektrowerkzeug, Zubehör, Einsatzwerkzeuge usw. entsprechend diesen Anweisungen. Berücksichtigen Sie dabei die Arbeitsbedingungen und die auszuführende Tätigkeit. Der Gebrauch von Elektrowerkzeugen für andere als die vorgesehenen Anwendungen kann zu gefährlichen Situationen führen.

#### **4. Verwendung und Behandlung des Elektrowerkzeugs**

- a) Überlasten Sie das Gerät nicht. Verwenden Sie für Ihre Arbeit das dafür bestimmte Elektrowerkzeug. Mit dem passenden Elektrowerkzeug arbeiten Sie besser und sicherer im angegebenen Leistungsbereich.
- b) Benutzen Sie kein Elektrowerkzeug, dessen Schalter defekt ist. Ein Elektrowerkzeug, das sich nicht mehr ein- oder ausschalten lässt, ist gefährlich und muss repariert werden.
- c) Ziehen Sie den Stecker aus der Steckdose und / oder entfernen Sie den Akku, bevor Sie Geräteeinstellungen vornehmen, Zubehörteile wechseln oder das Gerät weglegen. Diese Vorsichtsmaßnahme verhindert den unbeabsichtigten Start des Elektrowerkzeuges.
- d) Bewahren Sie unbenutzte Elektrowerkzeuge außerhalb der Reichweite von Kindern auf. Lassen Sie Personen das Gerät nicht benutzen, die mit diesem nicht vertraut sind oder diese Anweisungen nicht gelesen haben. Elektrowerkzeuge sind gefährlich, wenn sie von unerfahrenen Personen benutzt werden.

#### **5. Service**

- a) Lassen Sie Ihr Elektrowerkzeug nur von qualifiziertem Fachpersonal und nur mit Original-Ersatzteilen reparieren. Damit wird sichergestellt, dass die Sicherheit des Elektrowerkzeugs erhalten bleibt.
- b) Lassen Sie den Austausch des Steckers oder der Anschlussleitung immer vom Hersteller des Elektrowerkzeugs oder seinem Kundendienst ausführen. Damit wird sichergestellt, dass die Sicherheit des Elektrowerkzeugs erhalten bleibt.

## Gerätespezifische Sicherheitshinweise für Handschleifer

- Sichern Sie das Werkstück. Ein mit Spannvorrichtungen oder Schraubstock festgehaltenes Werkstück ist sicherer gehalten als mit Ihrer Hand.
- Stützen Sie auf keinen Fall die Hände neben oder vor dem Gerät und der zu bearbeitenden Fläche ab, da bei einem Abrutschen Verletzungsgefahr besteht.
- Ziehen Sie bei Gefahr sofort den Netzstecker aus der Steckdose.
- Führen Sie das Netzkabel immer nach hinten vom Gerät weg.
- **BRANDGEFAHR DURCH FUNKENFLUG !**  
Wenn Sie Metalle schleifen, entsteht Funkenflug. Achten Sie deshalb unbedingt darauf, dass keine Personen gefährdet werden und sich keine brennbaren Materialien in der Nähe des Arbeitsbereiches befinden.

### **WARNUNG! GIFTIGE DÄMPFE!**

- ▶ Die durch die Bearbeitung entstehenden schädlichen / giftigen Stäube stellen eine Gesundheitsgefährdung für die Bedienperson oder in der Nähe befindliche Personen dar.

### **WARNUNG! GEFÄHRDUNG DURCH STAUB!**

- ▶ Schließen Sie bei längerem Bearbeiten von Holz und insbesondere wenn Materialien bearbeitet werden, bei denen gesundheitsgefährdende Stäube entstehen, das Gerät an eine geeignete externe Staubabsaugvorrichtung an. Tragen Sie Schutzbrille und Staubschutzmaske!
- Sorgen Sie bei der Bearbeitung von Kunststoffen, Farben, Lacken, etc. für ausreichende Belüftung.
- Tränken Sie Materialien oder zu bearbeitende Flächen nicht mit lösungsmittelhaltigen Flüssigkeiten.
- Bearbeiten Sie keine angefeuchteten Materialien oder feuchte Flächen.

- Vermeiden Sie das Schleifen von bleihaltigen Farben oder anderen gesundheitsschädlichen Materialien.
- Asbesthaltiges Material darf nicht bearbeitet werden. Asbest gilt als krebserregend.
- Vermeiden Sie den Kontakt mit dem laufenden Schleifblatt.
- Verwenden Sie das Gerät nur mit angebrachtem Schleifblatt.
- Verwenden Sie das Gerät niemals zweckfremd und nur mit Originalteilen / -zubehör. Der Gebrauch anderer als in der Bedienungsanleitung empfohlener Teile oder anderen Zubehörs kann eine Verletzungsgefahr für Sie bedeuten.
- Lassen Sie das ausgeschaltete Gerät zum Stillstand kommen, bevor Sie es ablegen.
- Das Gerät muss stets sauber, trocken und frei von Öl oder Schmierfetten sein.

## Inbetriebnahme


### **VORSICHT!**

- ▶ Stellen Sie sicher, dass das Gerät vor dem Anschließen an die Stromversorgung ausgeschaltet ist.


### **HINWEIS**

- ▶ Schalten Sie den Handschleifer immer vor Materialkontakt ein und führen Sie das Gerät erst dann auf das Werkstück.

### Gerät einschalten:

- ◆ Drücken Sie den EIN- / AUS-Schalter  in die Position „I“.

### Gerät ausschalten:

- ◆ Drücken Sie den EIN- / AUS-Schalter  in die Position „0“.

## Staubabsaugung

### **⚠️ WARNUNG! BRANDGEFAHR!**

- ▶ Beim Arbeiten mit Elektrowerkzeugen, die über eine Staubfangbox verfügen oder durch eine Staubabsaugvorrichtung mit dem Staubsauger verbunden werden können, besteht Brandgefahr! Unter ungünstigen Bedingungen, wie z.B. bei Funkenflug, beim Schleifen von Metall oder Metallresten in Holz, kann sich Holzstaub im Staubsack (oder im Staubbeutel des Staubsaugers) selbst entzünden. Dies kann insbesondere dann geschehen, wenn der Holzstaub mit Lackresten oder anderen chemischen Stoffen vermischt ist und das Schleifgut nach langem Arbeiten heiß ist. Vermeiden Sie deshalb unbedingt eine Überhitzung des Schleifguts und des Gerätes und entleeren Sie vor Arbeitspausen stets die Staubfangbox bzw. den Staubbeutel des Staubsaugers.

### Tragen Sie eine Staubschutzmaske!

### **⚠️ WARNUNG!**

- ▶ Bevor Sie Arbeiten am Gerät durchführen, ziehen Sie immer den Netzstecker aus der Steckdose.

## Staubbox zur Eigenabsaugung

### Anschließen:

- ◆ Schieben Sie die Staubbox zur Eigenabsaugung **4b** bis zum Anschlag auf den Handschleifer.

### Entnehmen:

- ◆ Drücken Sie die Entriegelungstaste **5** der Staubbox zur Eigenabsaugung **4b** und ziehen Sie sie nach hinten ab.

### **HINWEIS**

- ▶ Um eine optimale Absaugleistung zu gewährleisten, die Staubbox zur Eigenabsaugung **4b** rechtzeitig leeren.
- ◆ Entnehmen Sie dazu die Staubbox **4b** wie zuvor beschrieben vom Gerät. Öffnen Sie die Staubbox durch Ziehen an der Lasche **4a** und entnehmen Sie den Deckel. Reinigen Sie nun beide Teile gründlich durch Ausklopfen.

## Reduzierstück

### Anschließen:

- ◆ Schieben Sie das Reduzierstück **3** in den Adapteranschluss **2**.
- ◆ Schieben Sie den Schlauch einer zulässigen Staubsaugvorrichtung (z.B. eines Werkstattstaubsaugers) auf das Reduzierstück **3**.

### Entnehmen:

- ◆ Ziehen Sie den Schlauch der Staubsaugvorrichtung vom Reduzierstück **3** ab.
- ◆ Ziehen Sie das Reduzierstück **3** ab.

## Schleifblatt anbringen / abziehen

### **⚠️ WARNUNG!**

- ▶ Bevor Sie Arbeiten am Gerät durchführen, ziehen Sie immer den Netzstecker aus der Steckdose.

### Anbringen:

- ◆ Sie können das Schleifblatt mittels Klettverschluss an der Schleifplatte **7** anbringen.

### Abziehen:

- ◆ Ziehen Sie das Schleifblatt einfach von der Schleifplatte **7** ab (siehe Abb. A).

## Schleifplatte drehen

### **⚠️ WARNUNG!**

- ▶ Bevor Sie Arbeiten am Gerät durchführen, ziehen Sie immer den Netzstecker aus der Steckdose.
- ◆ Drehen Sie die Schleifplatte **7** in die gewünschte Position (siehe Abb. B).

## Abtrag und Oberfläche:

Die Abtragsleistung und die Oberflächengüte werden von der Kornstärke des Schleifblattes bestimmt.

- ◆ Beachten Sie bitte, dass Sie zur Bearbeitung der verschiedenen Materialien entsprechende Schleifblätter mit unterschiedlicher Körnung einsetzen.

## Arbeitshinweise

- Führen Sie das Gerät eingeschaltet an das Werkstück.
- Arbeiten Sie mit geringem Anpressdruck.
- Arbeiten Sie mit gleichmäßigem Vorschub.
- Wechseln Sie die Schleifblätter rechtzeitig aus.
- Schleifen Sie nie mit dem gleichen Schleifblatt unterschiedliche Materialien (z.B. Holz und anschließend Metall). Nur mit einwandfreien Schleifblättern erreichen Sie gute Schleifleistungen.
- Reinigen Sie hin und wieder das Schleifblatt mit dem Staubsauger.
- Schleifen Sie schwer erreichbare Stellen mit der vorderen oder seitlichen Kante des Schleifblattes an der Schleifplatte **7**.
- Führen Sie den Schleifvorgang parallel und überlappend zu den Schleifbahnen durch.
- Heben Sie das Gerät nach der Bearbeitung vom Werkstück ab und schalten Sie es dann aus.

## Wartung und Reinigung

### **⚠ WARNUNG!**

- ▶ Bevor Sie Arbeiten am Gerät durchführen, ziehen Sie immer den Netzstecker aus der Steckdose.

Der Handschleifer ist wartungsfrei.

- Reinigen Sie das Gerät, direkt nach Abschluss der Arbeit.
- Verwenden Sie zur Reinigung des Gehäuses ein trockenes Tuch.
- Entfernen Sie anhaftenden Schleifstaub mit einem Pinsel.
- Verwenden Sie keinesfalls scharfe Gegenstände, Benzin, Lösungsmittel oder Reiniger, die Kunststoff angreifen. Vermeiden Sie, dass Flüssigkeiten in das Innere des Gerätes gelangen.
- Halten Sie die Lüftungsöffnungen **6** immer frei.

## Garantie

**Sie erhalten auf dieses Gerät 3 Jahre Garantie ab Kaufdatum. Das Gerät wurde sorgfältig produziert und vor Anlieferung gewissenhaft geprüft. Bitte bewahren Sie den Kassenbon als Nachweis für den Kauf auf. Bitte setzen Sie sich im Garantiefall mit Ihrer Servicestelle telefonisch in Verbindung. Nur so kann eine kostenlose Einsendung Ihrer Ware gewährleistet werden.**

Die Garantieleistung gilt nur für Material- oder Fabrikationsfehler, nicht aber für Transportschäden, Verschleißteile oder für Beschädigungen an zerbrechlichen Teilen, z. B. Schalter oder Akkus. Das Produkt ist lediglich für den privaten und nicht für den gewerblichen Gebrauch bestimmt.

Bei missbräuchlicher und unsachgemäßer Behandlung, Gewaltanwendung und bei Eingriffen, die nicht von unserer autorisierten Service-Niederlassung vorgenommen wurden, erlischt die Garantie. Ihre gesetzlichen Rechte werden durch diese Garantie nicht eingeschränkt.

Die Garantiezeit wird durch die Gewährleistung nicht verlängert. Dies gilt auch für ersetzte und reparierte Teile. Eventuell schon beim Kauf vorhandene Schäden und Mängel müssen sofort nach dem Auspacken gemeldet werden, spätestens aber zwei Tage nach Kaufdatum. Nach Ablauf der Garantiezeit anfallende Reparaturen sind kostenpflichtig.

## Service

### **DE Service Deutschland**

Tel.: 0800 5435 111

E-Mail: kompernass@lidl.de

IAN 100087

### **AT Service Österreich**

Tel.: 0820 201 222 (0,15 EUR/Min.)

E-Mail: kompernass@lidl.at

IAN 100087

### **CH Service Schweiz**

Tel.: 0842 665566 (0,08 CHF/Min.,

Mobilfunk max. 0,40 CHF/Min.)

E-Mail: kompernass@lidl.ch

IAN 100087

**Erreichbarkeit Hotline:** Montag bis Freitag von 8:00 Uhr – 20:00 Uhr (MEZ)

## Importeur

KOMPERNASS HANDELS GMBH

BURGSTRASSE 21

44867 BOCHUM

GERMANY

www.kompernass.com

## Entsorgung



Die Verpackung besteht aus umweltfreundlichen Materialien, die Sie über die örtlichen Recyclingstellen entsorgen können.



**Werfen Sie Elektrowerkzeuge nicht in den Hausmüll!**

Gemäß Europäischer Richtlinie 2012/19/EU über Elektro- und Elektronik-Altgeräte und Umsetzung in nationales Recht müssen verbrauchte Elektrowerkzeuge getrennt gesammelt und einer umweltgerechten Wiederverwertung zugeführt werden.

Möglichkeiten zur Entsorgung des ausgedienten Gerätes erfahren Sie bei Ihrer Gemeinde- oder Stadtverwaltung.

## Original-Konformitätserklärung

Wir, KOMPERNASS HANDELS GMBH, Dokumentenverantwortlicher: Herr Semi Uguzlu, BURGSTR. 21, 44867 BOCHUM, DEUTSCHLAND, erklären hiermit, dass dieses Produkt mit den folgenden Normen, normativen Dokumenten und EG-Richtlinien übereinstimmt:

**Maschinenrichtlinie  
(2006 / 42 / EC)**

**EG-Niederspannungsrichtlinie  
(2006 / 95 / EC)**

**Elektromagnetische Verträglichkeit  
(2004 / 108 / EC)**

**RoHS Richtlinie  
(2011 / 65 / EU)**

### Angewandte harmonisierte Normen:

EN 60745-1 / A11: 2010

EN 60745-2-4 / A11: 2011

EN 62233: 2008

EN 55014-1 / A1: 2009

EN 55014-2 / A2: 2008

EN 61000-3-2 / A2: 2009

EN 61000-3-3: 2008

### Typ / Gerätebezeichnung:

Handschleifer PHS 160 B3

### Herstellungsjahr: 04-2014

### Seriennummer: IAN 100087

Bochum, 07.03.2014

Semi Uguzlu

- Qualitätsmanager -



Technische Änderungen im Sinne der Weiterentwicklung sind vorbehalten.



**KOMPERNASS HANDELS GMBH**

BURGSTRASSE 21

44867 BOCHUM

DEUTSCHLAND / GERMANY

[www.kompernass.com](http://www.kompernass.com)

Last Information Update · Versiunea informațiilor

Актуалност на информацията · Stand der Informationen:

05 / 2014 · Ident.-No.: PHS160B3-042014-2

---

IAN 100087

