

SILVERCREST®



www.lidl-service.com



BLENDER SSM 550 D1

(GB)

BLENDER

Operating instructions

(RO)

BLENDER

Instrucțiuni de utilizare

(GR)

ΜΠΛΕΝΤΕΡ

Οδηγίες χρήσης

(HR)

BLENDER

Upute za upotrebu

(BG)

БЛЕНДЕР

Ръководство за експлоатация

(DE)

(AT)

(CH)

STANDMIXER

Bedienungsanleitung

IAN 100484

(HR) (RO) (BG) (GR)



GB

Before reading, unfold the page containing the illustrations and familiarise yourself with all functions of the device.

HR

Prije nego što pročitate tekst, otvorite stranicu sa slikama i upoznajte se na osnovu toga sa svim funkcijama uređaja.

RO

Înainte de a citi instrucțiunile, priviți imaginile și familiarizați-vă cu toate funcțiile aparatului.

BG

Преди да прочетете отворете страницата с фигурите и след това се запознайте с всички функции на уреда.

GR

Πριν ξεκινήσετε την ανάγνωση, ανοίξτε τη σελίδα με τις εικόνες και εξοικειωθείτε με όλες τις λειτουργίες της συσκευής.

DE AT CH

Klappen Sie vor dem Lesen die Seite mit den Abbildungen aus und machen Sie sich anschließend mit allen Funktionen des Gerätes vertraut.

GB	Operating instructions	Page	1
HR	Upute za upotrebu	Stranica	13
RO	Instrucțiuni de utilizare	Pagina	25
BG	Ръководство за експлоатация	Страница	37
GR	Οδηγίες χρήσης	Σελίδα	49
DE/AT/CH	Bedienungsanleitung	Seite	61



Content	Page
Introduction	2
Intended Use	2
Items supplied	2
Appliance description	2
Technical data	2
Safety Notices	3
Unpacking	5
Preparing for use	5
Operation	5
Filling and mounting the mixer jug.....	5
Selecting operating speeds.....	5
Filling when in use.....	6
Removing the mixer.....	6
Useful tips	6
Recipes	7
Banana Shake.....	7
Vanilla Shake.....	7
Cappucino Shake.....	7
Tropical Mix.....	7
Nut-Nougat Shake.....	7
Carrot Shake.....	7
Blackcurrant Mix.....	7
Hawaii Shake.....	8
Fruity Pineapple-Strawberry Mix.....	8
Andalusian Cold Soup (Gazpacho).....	8
Cleaning	8
Cleaning the mixer.....	9
Cleaning the motor block.....	10
After cleaning.....	10
Storage	10
Disposal	10
Warranty & Service	10
Importer	11

Blender

Introduction

Congratulations on the purchase of your new appliance.

You have clearly decided in favour of a quality product. These operating instructions are a part of this product. They contain important information in regard to safety, use and disposal. Before using the product, familiarise yourself with all of these operating and safety instructions. Use the product only as described and only for the specified areas of application. In addition, pass these documents on, together with the product, to any future owner.

Intended Use

This appliance is intended for ...

- the mixing, blending and stirring of foodstuffs as well as the crushing of ice cubes,
- exclusively for normal domestic amounts and only for private use in a domestic environment in dry rooms.

This appliance is not intended for ...

- the hacking of hard foodstuffs, such as nuts, seeds, large kernels or stalks,
- the processing of materials that are not foodstuffs,
- utilisation for commercial or industrial purposes,
- for use in moist environments or outdoors,
- processing hot/boiling liquids.

Use only the accessories and spare parts that are specified for this appliance. Other parts are possibly not sufficiently suitable or safe!

Items supplied

After unpacking, check to ensure all items are available. Being supplied are:

- 1 x Motor block, with power cable and plug
- 1 x Mixer jug, with permanently assembled cutters
- 1 x Lid
- 1 x Filling cap
- 1 x Operating instruction

Appliance description

- 1 Filling cap
- 2 Cover
- 3 Mixer jug
- 4 Cutter
- 5 Switch
- 6 Power cable
- 7 Motor block
- 8 Cable storage
- 9 Scale

Technical data

Nominal voltage: 220 - 240 V ~, 50 Hz

Nominal power

consumption: 550 Watt

Max. capacity: 1.75 l

Protection class: II

CO time: 3 Minutes

The C.O. Time (Continuous Operation) details how long an appliance may be used without the motor overheating and being damaged. When the specified C.O. Time has been reached, the appliance must be switched off until the motor has cooled itself down.

Safety Notices

⚠ To avoid the risk of a potentially fatal electric shock:

- Ensure that the motor block, the power cable and the power plug are never submerged in water or other fluids.
- Only use the appliance in dry rooms, never use it outdoors or in moist environments.
- Make sure that the power cable never becomes wet or damp during operation. Lay the cable such that it does not get clamped or otherwise damaged.
- Arrange for defective power plugs and/or cables to be replaced as soon as possible by a qualified technician or by our Customer Service Department to avoid the risk of injury.
- Always remove the plug from the power socket after use. Switching off the appliance is not sufficient because the appliance receives power as long as the power plug is connected to the socket.
- Check to ensure that the appliance is in a service-able condition before taking it into use. The appliance may not be used if there is recognisable damage on it, especially to the motor block and the glass mixing jug.
- Immediately remove the plug from the socket should you hear or smell anything unexpected from the appliance when it is in use or there is an evident malfunction.

⚠ To avoid overheating and the risk of fire:

- Do not use the appliance in locations with direct sunlight or in the vicinity of heat generating appliances.
- NEVER fill the mixing jug with boiling fluids or other foods!
Allow these to cool to a handwarm temperature. Otherwise, the appliance could overheat and/ or the glass of the mixing jug could crack!
- NEVER operate the appliance when it is empty, i.e. without ingredients in the mixing attachment.

⚠ To reduce the risk of fire or injury:

- NEVER insert your hand or fingers in the mixing jug, especially when it is in use. The cutters are extremely sharp!
- DO NOT open the cover when the appliance is in operation. Should you do so, pieces of the foodstuff could be thrown out at high speeds!
- Do not insert cutlery items or mixing tools into the mixing jug when the appliance is in use. There is a considerable risk of injury should these make contact with the swiftly rotating cutters!
- In order to be able to react immediately in the event of danger, always have the appliance under supervision when it is in use.
- Children should be supervised to ensure that they do not play with the appliance.
- Never use the appliance for purposes other than those described in these instructions.
- The appliance should always be disconnected from the mains when not supervised and before assembly, disassembly or cleaning.
- This appliance shall not be used by children.
- The appliance and its connecting cable must be kept away from children.
- This appliance may be used by people with reduced physical, sensory or mental capabilities or lack of experience and/or knowledge if they are supervised and have been instructed in how to use the appliance safely and have understood the potential risks.
- Children must not play with the appliance.
- Be careful when handling the appliance. The blades are very sharp!
- Take care when emptying the blender jug! The blades are very sharp!
- Take care when cleaning the appliance! The blades are very sharp!
- Switch the appliance off and disconnect the plug from the power supply before changing accessories or getting hold of parts that move during operation.
- Use the mixer jug only with the supplied motor block!
- Always make sure that the blender is switched off before removing the mixer jug from the motor block!

Unpacking

- Remove all packaging materials or protective foils from the appliance. Retain the packaging, so that you can store the appliance with protection or send it by post, e.g. should it need repair.
- Before taking the appliance into use, check to ensure that it is free of damage, check also that the power cable and plug as well as all accessories and appliance parts are undamaged.
- Carefully clean all components before taking the appliance into use for the first time (see "Cleaning").

Preparing for use

When all components have been cleaned as described under "Cleaning":

- ⇒ Position the appliance such that, ...
- that the power cable **6** passes through the recess at the rear of the appliance,
 - the power plug is immediately accessible, so that it can be quickly withdrawn in the event of danger,
 - that it is stable and not liable to slip, and such that the suction cups find a firm hold so that the appliance cannot tip over due to vibration,
 - that the power cable **6** is not in the working area and thus not presenting a risk of being inadvertently snagged and tipping the appliance over.

Operation

⚠ Warning!

The motor switches itself off as soon as the mixer jug **3** is removed from the motor block **7**. It could then be overlooked that the appliance is still switched on. The motor will thus start of its own accord as soon as the mixer jug **3** is replaced on it:

Therefore:

- First insert the power plug into the wall socket when the mixer jug **3** is filled and mounted with its lid fitted and closed.
- Before mounting the mixing jug always check to see that the appliance is switched off or that the power plug has been removed.
- Before removing the mixer jug **3**, switch the appliance off, remove the power plug and wait for the motor to stop revolving.

Filling and mounting the mixer jug

- ⇒ Take the mixer jug **3** from the motor block **7** and remove the cover **2**.
- ⇒ Fill the mixer jug **3** and then press the cover **2** firmly back onto the mixer jug **3**. Ensure that the pourer nose on the mixer jug **3** is also closed.
- ⇒ Insert the filling cap **1** into the lid opening and secure it by turning it clockwise.
- ⇒ Place the ready filled and sealed mixer jug **3** onto the motor block **7**. Lightly turn the mixer jug **3** until you can press it down. The motor can start only when the mixer jug **3** is securely positioned.

Selecting operating speeds

When the mixer jug **3** is filled, completely sealed and securely fitted to the motor block **7**, you can then switch the appliance on.

⇨ Place the switch 5 on ...

- **Level 1 - 3**

for fluid or soft foodstuffs, for mixing, blending and stirring

- **Level 3 - 5**

for firmer foodstuffs or for hacking

- **Level Ice Crush/Clean**

for short, powerful impulse operation, e.g. for crushing icecubes or when cleaning. So as not to overburden the motor, the switch 5 does not engage in this position. Hence, hold the switch 5 in this position for short periods only.

i Note

Fill the mixer jug 3 with a maximum of 180 g of ice cubes. If filled with more than this, the appliance cannot optimally crush them.

Filling when in use

⚠ Warning!

Should you wish to insert further foodstuffs during operation, you may **ONLY** open the filling cap 1 provided for this purpose.

- Under no circumstance should you open the cover 2. Pieces of the foodstuff could be thrown out at high speeds!
- Do not insert cutlery items or mixing tools into the mixer jug 3 when the appliance is in use. There is a considerable risk of injury should these make contact with the swiftly rotating cutters 4!

To insert something when the appliance is in operation, ...

⇨ turn the filling cap 1 anti-clockwise and remove it.

⇨ Fill in the ingredients.

⇨ Afterwards, replace the filling cap 1 into the lid and secure it by turning it clockwise.

Removing the mixer

When the processing of the foodstuffs is complete:

⇨ Always first place the switch 5 into the OFF position ("OFF") and remove the power plug.

⇨ Wait until the motor has come to a complete standstill before lifting the mixer jug 3 straight up. The mixer jug 3 does not need to be turned.

Useful tips

- The best results when blending firm ingredients are achieved by placing small portions one after the other into the mixer jug 3 instead of inserting a single large portion.
- When processing firm ingredients, cut them into small pieces (2-3 cm).
- When mixing liquid ingredients begin first of all with a small measure of fluids. Gradually add more fluids to the mixture through the filling cap.
- The appliance can be stabilised by placing your hand on top of the closed liquidiser during operation.
- For the stirring of firm or very viscous foodstuffs it can be beneficial to use the impulse-operation, which helps avoid a blocking of the cutters 4.

i Note

Do not use the appliance to crush grains of cooking salt, refined sugar or white sugar. For example, to make powdered sugar.

Recipes

Banana Shake

2 Bananas

approx. 2 Tbsp. Sugar (depending on the ripeness of the bananas and personal taste)

1/2 l. Milk

1 Dash of lemon juice

Peel the bananas and liquidise them with Level 2.

First gradually add the milk, then the sugar and lemon juice. Continue mixing everything until a smooth and uniform liquid results.

Serve the shake chilled.

Vanilla Shake

1/4 l. milk

250 g Vanilla ice cream

125 ml Icecubes

1 1/2 Tsp Sugar

Crush the ice cubes with the level Ice Crush/Clean.

Place the remaining ingredients into the mixer.

Mix everything at Level 2 until the liquid has a smooth consistency

Cappucino Shake

65 ml cold Espresso (or a very strong coffee)

65 ml Milk

15 g Sugar

65 ml Vanilla ice cream

100 ml crushed Icecubes

Crush the ice cubes with the level Ice Crush/Clean.

Add the espresso, milk and sugar. Mix everything together with level 2 until the sugar has dissolved.

Finally, add the vanilla ice cream and then briefly mix everything together using level 1.

Tropical Mix

125 ml Pineapple juice

60 ml Papaya juice

50 ml Orange juice

1/2 small tin of Peaches with juice

125 ml Icecubes

Crush the ice cubes with the level Ice Crush/Clean. Place all ingredients into the mixer and blend them together using level 3.

Nut-Nougat Shake

1/2 l. Milk

200 g Nut-Nougat spread

1 ball of Vanilla ice cream

50 ml cream

Combine all ingredients in a mixer and use level 3 until everything is evenly blended together.

Carrot Shake

300 ml Apple juice

500 ml Carrot juice

4 Tbsp Cooking oil (Wheat germ oil or rapeseed oil)

4 Tbsp of Lemon juice

Ginger powder

Pepper

Place the apple juice, cooking oil and lemon juice into the mixer and blend everything together using level 2. Then, add the carrot juice and mix it all together using level 2. To finish, add the ginger powder and pepper to taste.

Blackcurrant Mix

2 Tsp Honey

2 Bananas

1/4 l. Buttermilk

1/4 l. Blackcurrant juice

Place all ingredients into the mixer and blend them together using level 3.

Hawaii Shake

4 Bananas
1/4 l. Pineapple juice
1/2 l. Milk
2 tbsp. Honey
1/4 l. Rum

Peel the bananas and liquidise them using Level 2. Then add the other ingredients and mix everything together using level 1.

Fruity Pineapple-Strawberry Mix

250 ml Pineapple juice
200 g Strawberries
300 ml Apple juice
4 Ice cubes

Crush the ice cubes with the level Ice Crush/Clean. Wash the strawberries and remove the green parts. Liquidise them using level 2. Then add the remaining ingredients and mix everything together using level 1.

Andalusian Cold Soup (Gazpacho)

1/2 Cucumber
1 Beef tomato
1 Green pepper
1/2 Onion
1 Garlic clove
1/2 White bread roll
1/2 Tsp Salt
1 Tsp Red wine vinegar
1 Tbsp Olive oil

Cut the vegetables into pieces approx. 2 cm in size. First place the tomatoes and then the cucumber into the mixer. Liquidise them using level 3. Add the remaining ingredients and then liquidise/blend them all together at level 3 until a smooth soup is created.
Serve the soup with bread.

Note

These recipes are provided subject to change. All ingredients and preparation information are guiding values. Expand these recipe suggestions based on your personal experiences.


Note

For cases of lactose intolerance, we recommend you use a lactose-free milk. Keep in mind, however, that lactose-free milk is a little sweeter.

Cleaning

Caution!

Before starting to clean the liquidiser and its components:

- Ensure that the motor is switched off and the power plug removed from the socket.
-  Under no circumstance may the motor block **7** be submersed in water or other fluids. This could result in you receiving a fatal electric shock and the appliance could be damaged.
- Never open the housing of the appliance. This brings with it the risk of receiving a fatal electric shock.
- Never disassemble the cutters **4** and never reach into the mixer jug **3**. The cutters **4** are extremely sharp!
- Do not use solvents or abrasive cleaners on the plastic surfaces, they could be damaged by them.

Cleaning the mixer

- ⇒ So that you do not injure yourself on the cutters **4**, clean the mixer jug **3** only with a long handled dishwasher brush.
- ⇒ In a case of stubborn soiling, the mixer jug **3** can also be cleaned in a dishwasher. For this, always take the mixer jug **3** apart, as described later.
- ⇒ Clean the cover **2** and the filling cap **1** in a dishwasher or with the normal washing up.

If you clean the liquidiser directly after use, you can often achieve a satisfactory and hygienic level of cleaning with the following alternative:

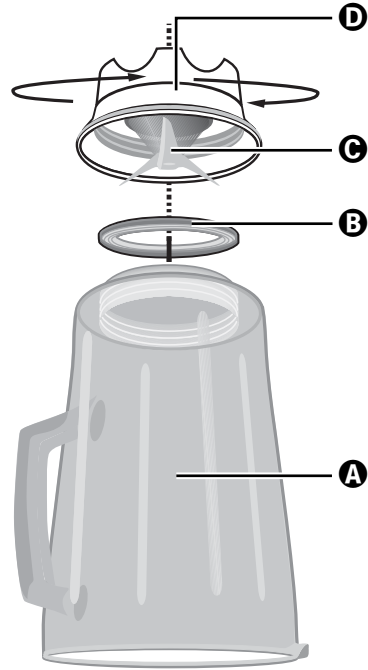
If you clean the liquidiser directly after use, you can often achieve a satisfactory and hygienic level of cleaning with the following alternative:

- ⇒ Fill the mixer jug **3** with 750 ml of water and add a few drops of mild detergent. Close the cover **2** and fit the mixer jug **3** onto the motor block **7**.

Insert the plug into a mains power socket and activate the Ice Crush/Clean operation a few times, such that the cutter **4** ploughs through the water at full speed.

Afterwards, rinse the mixer jug **3** out with lots of clean water to ensure that all detergent residues have been removed.

Should this not dislodge the soiling, you can separate the lower plastic part of the mixer jug **3** (with the cutters **4**) from the the glass part of the mixer jug **3**:



- A** Glass element
- B** Sealing ring
- C** Cutting blade
- D** Plastic element

- ⇒ Remove the mixer jug **3** from the motor block **7**.
- ⇒ Turn the plastic element **D** of the mixer jug **3** anti-clockwise, such that it allows itself to be released from the glass element **A** of the mixer jug **3**.

⚠ Attention!

Take care with the cutting blades **C**. They are very sharp. Risk of injury!

- ⇒ Clean both parts thoroughly in a mild soapy solution or in a dishwasher.
- ⇒ Replace the plastic element **D** of the mixer jug **3** back onto the glass element **A**. Ensure that the sealing ring **B** is correctly fitted.

Cleaning the motor block

- ⇒ Use a dry cloth or, at the most, a lightly moistened one for cleaning the plastic surfaces.
- ⇒ At every cleaning check that the contact switch in the receptor for the mixer jug **3** is not blocked by soiling residues. If you cannot dislodge any blockages with the corner of a piece of paper, make contact with Customer Services. Under no circumstances should you use a hard object, this could damage the contact switch.
- ⇒ Remove any possible residues on the underside of the motor block **7** only with a dry cloth or a stiff bristled brush. Ensure that nothing can enter through the ventilation opening of the appliance.

After cleaning

Allow all parts to dry well before re-assembling and re-using the liquidiser.

Storage

- ⇒ If you do not intend to use the liquidiser for an extended period, clean it thoroughly (see chapter "Cleaning").
- ⇒ Wrap the power cable **6** around the cable storage **8** on the base of the motor block **7**.
- ⇒ Store the liquidiser at a cool and dry location.

Disposal



Do not dispose of the appliance in your normal domestic waste. This product is subject to the European guideline 2012/19/EU.

Dispose of the appliance through an approved disposal centre or at your community waste facility. Observe the currently applicable regulations. In case of doubt, please contact your waste disposal centre.



Dispose of all packaging materials in an environmentally responsible manner.

Warranty & Service

The warranty for this appliance is for 3 years from the date of purchase. The appliance has been manufactured with care and meticulously examined before delivery.

Please retain your receipt as proof of purchase. In the event of a warranty claim, please make contact by telephone with our Service Department. Only in this way can a post-free despatch for your goods be assured.

The warranty covers only claims for material and manufacturing defects, but not for transport damage, for wearing parts or for damage to fragile components, e.g. buttons or batteries. This product is for private use only and is not intended for commercial use. The warranty is void in the case of abusive and improper handling, use of force and internal tampering not carried out by our authorized service branch. Your statutory rights are not restricted in any way by this warranty.

The warranty period will not be extended by repairs made under warranty. This applies also to replaced and repaired parts. Any damage and defects extant on purchase must be reported immediately after unpacking the appliance, at the latest, two days after the purchase date. Repairs made after the expiration of the warranty period are subject to payment.

 **Service Great Britain**

Tel.: 0871 5000 720 (£ 0.10/Min.)

E-Mail: kompernass@lidl.co.uk

IAN 100484

Hotline availability:

Monday to Friday 08:00 - 20:00 (CET)

Importer

KOMPERNASS HANDELS GMBH

BURGSTRASSE 21

44867 BOCHUM

GERMANY

www.kompernass.com

Sadržaj	Strana
Uvod	14
Uporaba u skladu sa namjenom	14
Obim isporuke	14
Opis uređaja	14
Tehnički podaci	14
Sigurnosne napomene	15
Raspakiranje	17
Postavljanje	17
Rukovanje	17
Punjenje i montiranje nastavka miksera	17
Odabir stupnja brzine	17
Umetanje u pogonu	18
Skidanje nastavka miksera	18
Korisni savjeti	18
Recepti	19
Shake od banana	19
Shake od vanilije	19
Cappucino-Shake	19
Tropski miks	19
Shake sa lješnjakom i nugatom	19
Shake od mrkve	19
Miks od ribizle	19
Hawaii-Shake	20
Vošni miks sa ananasom i jagodom	20
Andaluzijska hladna juha (Gazpacho)	20
Čišćenje	20
Čišćenje nastavka miksera	21
Čišćenje bloka motora	22
Nakon čišćenja	22
Čuvanje uređaja	22
Zbrinjavanje	22
Jamstvo & servis	22
Uvoznik	23

Blender

Uvod

Srdačno čestitamo na kupnji Vašeg novog uređaja. Time ste se odlučili za visokovrijedan proizvod. Upute za rukovanje predstavljaju sastavni dio ovog proizvoda. One sadrže važne napomene za sigurnost, uporabu i zbrinjavanje proizvoda. Prije korištenja proizvoda se upoznajite sa svim napomenama za rukovanje i sa svim sigurnosnim napomenama. Proizvod koristite isključivo na opisani način i u navedenim područjima primjene. Svu dokumentaciju u slučaju predaje proizvoda trećim osobama priložite i takođe predajte.

Uporaba u skladu sa namjenom

Ovaj uređaj je namijenjen...

- za miješanje, piriranje i miksiranje namirnica, kao i usitnjavanje kocki leda (postupak koji se naziva "crushing"),
- isključivo za preradu količina uobičajenih u domaćinstvima, te isključivo za primjenu u privatnim domaćinstvima i u suhim prostorijama.

Ovaj uređaj nije namijenjen za ...

- usitnjavanje tvrdih sastojaka namirnica, kao što su lješnjaci, koštice, velika zrna ili peteljke,
- prerađivanje sastojaka, koji ne predstavljaju namirnice,
- uporabu u gospodarske ili industrijske svrhe,
- korištenje u vlažnom okruženju ili na otvorenom prostoru,
- preradu vrućih/ključajućih tekućina.

Koristite samo dijelove opreme i zamjenske dijelove namijenjene za ovaj uređaj. Drugi dijelovi možda nisu dovoljno prikladni ili dovoljno sigurni!

Obim isporuke

Nakon raspakiranja provjerite cjelovitost pošiljke.


U obimu isporuke su sadržani:

- 1 x Blok motora sa mrežnim kabelom i mrežnim utikačem
- 1 x Nastavak miksera, sa čvrsto montiranim nožem
- 1 x Poklopac
- 1 x Kapa za punjenje
- 1 x Upute za uporabu

Opis uređaja

- 1 Kapa za punjenje
- 2 Poklopac
- 3 Nastavak za mikser
- 4 Nož
- 5 Prekidač
- 6 Mrežni kabel
- 7 Blok motora
- 8 Namatač za kabel
- 9 Skala

Tehnički podaci

Nominalni napon:	220 - 240 V ~, 50 Hz
Nominalna snaga:	550 W
Maksimalna količina punjenja:	1,75 l
Zaštitna klasa:	II 
KB-vrijeme:	3 minute

KB-vrijeme (vrijeme kratkotrajnog pogona) označava, koliko dugo uređaj može biti u pogonu, bez da se motor pregrije i pretrpi oštećenje. Nakon navedenog KB-vremena uređaj mora biti isključen toliko dugo, dok se motor ne ohladi i dostigne sobnu temperaturu.

Izjava o sukladnosti za ovaj proizvod dostupna je na internet stranici www.lidl.hr.

Sigurnosne napomene

⚠ Da biste izbjegli opasnost po život uslijed strujnog udara:

- Osigurajte da blok motora, mrežni kabel i mrežni utikač nikada ne budu zaronjeni u vodu ili druge tekućine.
- Uređaj koristite isključivo u suhim prostorijama, nikada na otvorenom ili u vlažnom okruženju.
- Obratite pažnju na to, da napojni kabel u pogonu nikada ne bude vlažan ili mokar. Provodite ga na taj način, da ne može biti ugnječen ili oštećen na drugi način.
- Oštećene mrežne utikače ili oštećen mrežni kabel neizostavno dajte zamijeniti od strane autoriziranog stručnog osoblja ili servisa za kupce, kako biste izbjegli nastanak opasnosti.
- Nakon upotrebe uvijek izvucite utikač iz utičnice. Samo isključivanje uređaja nije dovoljno, jer je još uvijek prisutan mrežni napon u uređaju, dok se mrežni utikač nalazi u utičnici.
- Prije svake uporabe prekontrolirajte besprijekorno stanje uređaja. Uređaj ne smije biti korišten, ako postoje vidljiva oštećenja, pogotovo na bloku motora ili na staklenom nastavku miksera.
- Neizostavno izvucite mrežni utikač iz utičnice, kada primijetite nastanak neobičnih zvukova ili mirisa, ili kada dođe do vidne pogreške u funkciji.

⚠ Da biste izbjegli pregrijavanje i opasnost od požara:

- Ne koristite uređaj u području neposrednog utjecaja sunčeve svjetlosti, niti u području djelovanja topline grijaćih uređaja.
- Nikada ne umetnite kipuće tekućine u nastavak miksera! Ove tekućine prethodno pustite da se dovoljno ohlade. U protivnom može doći do pregrijavanja uređaja i do prskanja stakla na nastavku miksera!
- Nikada ne radite sa uređajem u praznom stanju, dakle bez sastojaka u nastavku za miksiranje.

⚠ Da biste izbjegli opasnost od nezgode i ozljeđivanja:

- Nikada rukom ne hvatajte u nastavak miksera, posebno ne dok je mikser u pogonu. Noževi su krajnje oštri!
- Ne otvarajte poklopac kada je uređaj u pogonu. U protivnom može doći do izbacivanja namirnica iz miksera velikom brzinom!
- Nikada ne umetnite dijelove pribora za jelo ili predmete za miješanje u nastavak miksera, dok je mikser u pogonu. Postoji znatna opasnost od ozljeđivanja, ako ovi predmeti dodirnu nož koji rotira vrlo velikom brzinom!
- Ne pustite uređaj da radi bez nadzora, kako biste u slučaju opasnosti odmah mogli reagirati.
- Djeca bi trebala biti pod nadzorom, čime treba biti osigurano da se ne mogu igrati ovim uređajem.
- Ne koristite uređaj za druge svrhe od onih koje su opisane u ovim uputama.
- Ovaj uređaj mora biti odvojen od mreže napajanja uvijek kada nije pod nadzorom, prije sklapanja, rastavljanja ili čišćenja.
- Uređaj ne smiju koristiti djeca.
- Uređaj i njegov priključni vod morate držati podalje od djece.
- Ovaj uređaj mogu koristiti osobe sa smanjenim fizičkim, senzornim ili mentalnim sposobnostima ili osobe sa pomanjkanjem iskustva i/ili znanja, ukoliko ih se prilikom uporabe nadzire ili ukoliko su upućene u sigurno rukovanje uređajem, te ukoliko su shvatile opasnosti koje iz tog rukovanja proizlaze.
- Djeca se ne smiju igrati uređajem.
- Budite oprezni prilikom rukovanja uređajem. Noževi su vrlo oštri!
- Postupite oprezno prilikom pražnjenja nastavka za miksanje! Noževi su vrlo oštri!
- Postupite oprezno prilikom čišćenja uređaja! Noževi su vrlo oštri!
- Isključite uređaj i izvucite mrežni utikač prije nego vršite zamjenu opreme ili dodirujete dijelove koji se za vrijeme rada uređaja pokreću.
- Nastavak za mikser koristite isključivo sa zajedno isporučenim blokom motora!
- Osigurajte, da mikser uvijek bude isključen, prije nego podignete nastavak za mikser s bloka motora!

Raspakiranje

- Uklonite sve materijale pakiranja i zaštitne folije sa uređaja. Pakiranje čuvajte, da biste uređaj mogli zaštićeno uskladištiti ili poslati servisu, na primjer u slučaju potrebe za popravkom.
- Prije uporabe uređaja provjerite, da li je uređaj neoštećen, kao i mrežni kabel sa utikačem, te svi dijelovi opreme i dijelovi uređaja.
- Savjesno očistite sve sastavne dijelove prije prve uporabe stajaćeg miksera (vidi poglavlje „Čišćenje“).

Postavljanje

Nakon što ste sve dijelove očistili na način opisan u poglavlju "Čišćenje":

- ⇒ Postavite uređaj tako, ...
 - da mrežni kabel **6** prolazi kroz utore na stražnjoj strani uređaja,
 - da mrežni utikač bude lako dostupan, kako biste ga u slučaju opasnosti mogli izvući iz utičnice.
 - da stoji stabilno i ne klizi i da gumeni čepovi imaju čvrst oslonac, tako da se kod vibracija uređaj ne može prevrnuti i pasti.
 - da kabel **6** ne strši u područje rada, kako uređaj ne bi mogao biti prevrnut uslijed nehotičnog povlačenja.

Rukovanje

⚠ **Upozorenje!**

Motor se automatski isključuje, čim nastavak miksera **3** uklonimo sa bloka motora **7**. U tom slučaju možete previdjeti, da je stroj još uvijek uključen. Motor se može onda neočekivano pokrenuti, čim montirate nastavak miksera **3**:

Zbog toga:

- Mrežni utikač utaknite tek onda u utičnicu, kada ste nastavak miksera **3** napunili i zatvorenog montirali.
- Prije montiranja uvijek provjerite, da je uređaj isključen ili mrežni utikač izvučen iz utičnice.
- Prvo isključite uređaj, izvucite mrežni utikač i pričekajte da motor miruje, a tek onda skinite nastavak miksera **3**.

Punjenje i montiranje nastavka miksera

- ⇒ Skinite nastavak miksera **3** sa bloka motora **7** i odstranite poklopac **2**.
- ⇒ Napunite nastavak miksera **3** i nakon toga poklopac **2** ponovo čvrsto pritisnite na nastavak miksera **3**. Obratite pažnju i na to, da ispust za odlijevanje na nastavku za miksiranje **3** bude zatvoren.
- ⇒ Utaknite kapu za punjenje **1** u otvor poklopca, a njega nakon toga zatvorite okretanjem u smjeru kazaljke na satu.
- ⇒ Postavite napunjeni i zatvoreni nastavak miksera **3** na blok motora **7**. Nastavak miksera **3** blago okrenite, dok ga možete pritisnuti prema dolje. Samo kada je nastavak miksera **3** postavljen u jednoj ravni, motor može biti pokrenut.

Odabir stupnja brzine

Kada je nastavak miksera **3** napunjen, potpuno zatvoren i postavljen na blok motora **7**, možete uključiti uređaj.

⇒ Postavite prekidač 5 na ...

- Stupanj 1-3

za tekuće ili srednje čvrste namirnice, za miješanje i piriranje

- Stupanj 3-5

za čvršće namirnice ili za usitnjavanje

- Stupanj Ice Crush/Clean

rövid, erőteljes impulzus üzemmóddhoz, pl.

jégkocka aprításához vagy tisztításához.

Prekidač 5 u tom položaju ne može ostati, kako motor ne bi bio preopterećen. Prekidač 5 zbog toga držite samo kratko u položaju za pogon.

i Napomena

Nastavak za miksiranje 3 napunite sa maksimalno 180 g kocki leda. U protivnom uređaj ne može na optimalan način usitniti kocke leda.

Umetanje u pogonu

⚠ Upozorenje!

Ako za vrijeme pogona želite umetnuti namirnice, smijete otvoriti isključivo za to predviđenu kapu za umetanje 1.

- Nikako ne otvarajte poklopac 2. Moglo bi se dogoditi, da namirnice budu izbačene iz uređaja velikom brzinom!
- Nikada ne umetnite dijelove pribora za jelo ili predmete za miješanje u nastavak miksera 3, dok je mikser u pogonu. Postoji znatna opasnost od ozljeđivanja, ako ovi predmeti dodirnu nož 4 koji rotira vrlo velikom brzinom!

Da biste mogli vršiti umetanje za vrijeme pogona, ...

⇒ Kapu za punjenje 1 odvrnite okretanjem u smjeru protivnom kazaljci na satu, te je izvadite.

⇒ Ispunite sastojke.

⇒ Nakon toga ponovo umetnite kapu za punjenje 1 u otvor poklopca, te je zavrnite u smjeru kazaljke na satu.

Skidanje nastavka miksera

Kada je obrada umetnutih namirnica okončana:

⇒ Prekidač 5 uvijek postavite u položaj "Isklj" („OFF“) izvucite mrežni utikač.

⇒ Pričekajte dok se motor ne umiri, prije nego što nastavak miksera 3 izdignete prema gore. Nastavak miksera 3 pritom ne morate okretati.

Korisni savjeti

- Da biste prilikom piriranja čvrstih namirnica ostvarili bolje rezultate, redom umetnite tek male porcije u nastavak miksera 3, umjesto da odjednom umetnete jednu veliku količinu.
- Kada prerađujete čvrste sastojke, prethodno ih izrežite u male komadiće (2-3 cm).
- Prilikom miksiranja tekućih namirnica započnite sa malom količinom. Zatim polako dodajte sve veću količinu tekućine kroz otvor poklopca.
- Kada za vrijeme pogona uređaja postavite ruku na gornju stranu stajaćeg miksera, možete na taj način dobro stabilizirati uređaj.
- Za miješanje čvrstih ili vrlo gustih tečnih namirnica može biti korisna uporaba pulsog pogona, kako biste izbjegli zastajanje noža 4.

i Napomena

Ne koristite uređaj za promjenu zrnatog svojstva kuhinjske soli, rafiniranog ili bijelog šećera. Na primjer za izradu šećera u prahu.

Recepti

Shake od banana

2 banane
ca. 2 velike žlice šečera
(ovisno o zrelosti banana i osobnom ukusu)
1/2 litre mlijeka
1 mala količina limunovog soka

Ogulite banane i pirirajte ih na stupnju 2. Postupno dodajte mlijeko, šećer i na koncu limunov sok. Sve zajedno miješajte tako dugo, dok ne nastane ujednačeno izmiješana tekućina.

Poslužite shake u rashlađenom stanju.

Shake od vanilije

1/4 litre mlijeka
250 g sladoleda od vanilije
125 ml kockice leda
1 1/2 male žlice šečera

Usitnite kocke leda na stupnju Ice Crush/Clean. Umetnite ostale sastojke u mikser. Miješajte sve zajedno na stupnju 2, sve dok ne nastane ravnomjerna tekućina.

Cappucino-Shake

65 ml hladne espresso-kave (ili vrlo jake kave)
65 ml mlijeka
15 g šešera
65 ml sladoleda od vanilije
100 ml usitnjene kocke leda

Usitnite kocke leda na stupnju Ice Crush/Clean. Dodajte espresso-kavu, mlijeko i šešer. Miješajte sve zajedno na stupnju 2, sve dok se šešer ne istopi. Na koncu dodajte sladoled od vanilije i sve zajedno kratko promiješajte na stupnju 1.

Tropski miks

125 ml soka od ananasa
60 ml soka od papaje
50 ml soka od naranče
1/2 mala limenka bresaka u soku
125 ml kockice leda

Usitnite kocke leda na stupnju Ice Crush/Clean. Umetnite sve sastojke u mikser i sve zajedno promiješajte na stupnju 3.

Shake sa lješnjakom i nugatom

1/2 litre mlijeka
200 g kreme od lješnjaka i nugata
1 kugla sladoleda od vanilije
50 ml tučenog vrhnja

Miješajte sve sastojke zajedno u mikseru na stupnju 3, sve dok ne nastane ujednačena mješavina.

Shake od mrkve

300 ml soka od jabuke
500 ml soka od mrkve
4 velike žlice ulja (od pšeničnih klica ili repice)
4 velike žlice soka od limuna -umbir u prahu
đumbir u prahu
Papar

Dodajte sok od jabuke, ulje i sok od limuna u mikser i sve zajedno miješajte na stupnju 2. Nakon toga dodajte sok od mrkve i još jednom promiješajte sve na stupnju 2. Zatim po ukusu u shake dodajte đumbir u prahu i papar.

Miks od ribizle

2 male žlice meda
2 banane
1/4 litre mlašenice
1/4 litre soka od ribizle (crne)

Umetnite sve sastojke u mikser i sve zajedno promiješajte na stupnju 3.

Hawaii-Shake

4 banane
1/4 litre soka od ananasa
1/2 litre mlijeka
2 velike žlice meda
1/4 litre ruma

Ogulite banane i pirirajte ih na stupnju 2. Dodajte ostale sastojke i sve zajedno pomiješajte na stupnju 1.

Vošni miks sa ananasom i jagodom

250 ml soka od ananasa
200 g jagoda
300 ml soka od jabuke
4 kocke leda

Usitnite kocke leda na stupnju Ice Crush/Clean. Operite jagode i odstranite zelene dijelove i listove. Pirirajte plodove na stupnju 2. Zatim dodajte ostale sastojke i sve zajedno miješajte na stupnju 1.

Andaluzijska hladna juha (Gazpacho)

1/2 krastavca
1 mesnata rajčica
1 zelena paprika
1/2 Luk
1 češanj češnjaka
1/2 bijele zemlje
1/2 male žlice soli
1 mala žlica vinskog octa
1 velika žlica maslinovog ulja

Površje narežite u ca. 2 cm velike komade. U mikser umetnite prvo rajčice, a zatim krastavce. Pirirajte površje na stupnju 3. Dodajte ostale sastojke i pirirajte/pomiješajte sve zajedno na stupnju 3, dok ne nastane homogena juha. Juhu poslužite sa kruhom.

Napomena

Recepti bez jamstva. Svi podaci glede sastojaka i pripremanja su okvirni podaci. Dopunite ove prijedloge receptata svojim osobnim iskustvima.






Napomena

Za osobe koje ne podnose laktozu preporučujemo korištenje mlijeka bez sadržaja laktoze. Molimo vodite pritom računa o tome, da je mlijeko bez laktoze nešto slađe od običnog mlijeka.

Čišćenje

Oprez!

Prije čišćenja stajaceg miksera i njegovih dijelova:

- Osigurajte da uređaj bude isključen, a mrežni utikač izvučen.
-  Niukom slučaju ne smijete blok motora  uroiniti u vodu ili u neku drugu tekućinu. Na taj način može doći do opasnosti po život uslijed strujnog udara, a i uređaj može biti oštećen.
- Nikada ne otvorite kućište uređaja. U protivnom može doći do opasnosti po život uslijed strujnog udara.
- Nikada ne demontirajte noževe ; nikada ne hvatajte rukom u nastavak miksera . Noževi  su krajnje oštri!
- Ne koristite otapala ili ribajuća sredstva za plastične površine, koje bi na taj način mogle biti oštećene.

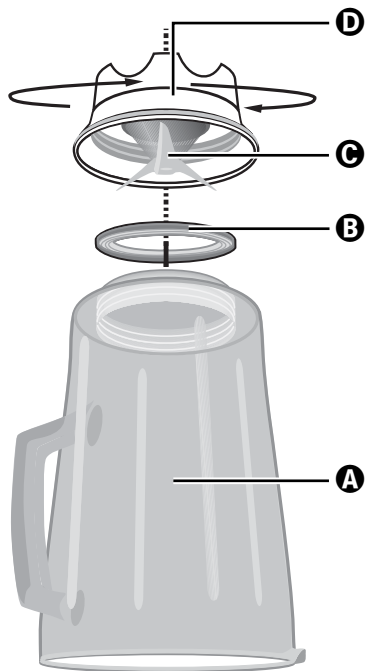
Čišćenje nastavka miksera

- ⇒ Nastavak miksera **3** čistite isključivo pomoću četke za posuđe sa dugom drškom, tako da isključite mogućnost ozljeđivanja uslijed kontakta sa noževima **4**.
- ⇒ U slučaju tvrdokornog onečišćenja nastavak miksera **3** možete očistiti i pomoću stroja za pranje posuđa. U tu svrhu nastavak za miksiranje **3** uvijek rastavite na način opisan u nastavku.
- ⇒ Očistite poklopac **2** i kapu **1** za punjenje pomoću stroja za pranje posuđa ili ručnim pranjem.

Ako stajajući mikser čistite neposredno nakon uporabe, u većini slučajeva ćete postići dostatno higijensko čišćenje pomoću slijedeće alternative:

- ⇒ Napunite u nastavak za miksiranje **3** 750 ml vode i dodajte nekoliko kapi blagog sredstva za pranje posuđa. Zatvorite poklopac **2** i postavite nastavak za miksiranje **3** na blok motora **7**. Utaknite mrežni utikač u utičnicu i u nekoliko navrata aktivirajte pogonski modus Ice Crush/Clean (usitnjavanje leda/čišćenje), tako da nož **4** sa maksimalnim brojem okretaja prolazi kroz vodu. Nakon toga nastavak za miksiranje **3** isperite velikom količinom bistre vode, tako da svi ostaci sredstva za pranje posuđa budu uklonjeni.

Ukoliko se onečišćenje ne odvoji, donji plastični dio nastavka miksera **3** od staklenog dijela možete odvojiti pomoću noževa **4**:



- A** Stakleni element
- B** Prsten za brtvljenje
- C** Nož
- D** Plastični dio

- ⇒ Skinite nastavak miksera **3** sa bloka motora **7**.
- ⇒ Okrenite plastični dio **D** nastavka miksera **3**, tako da ga od staklenog dijela **A** nastavka miksera **3** možete odvojiti.

⚠ Oprez!

Oprezno rukujte sa noževima **C**. Krajnje su oštri.
Opasnost od ozljeđivanja!

- ⇒ Očistite oba dijela temeljito pomoću blage sapunice ili u stroju za pranje posuđa.
- ⇒ Postavite plastični dio **D** nastavka miksera **3** ponovo na stakleni dio **A** nastavka miksera **3**.
Obratite pažnju na to, da prsten brtvila **B** bude umetnut.

Čišćenje bloka motora

- ⇒ Upotrijebite suhu ili tek blago navlaženu krpu, da biste očistili plastične površine.
- ⇒ Prilikom svakog čišćenja kontrolirajte, da li je kontaktni prekidač u elementu za prihvatanje nastavka miksera **3** blokiran preostalim onečišćenjima. Ako eventualna onečišćenja, koja blokiraju prekidač, ne možete odvojiti pomoću ivice lista papira, obratite se servisu za kupce. Ni u kom slučaju ne koristite tvrde predmete, jer bi oni mogli oštetiti kontaktni prekidač.
- ⇒ Odstranite eventualna onečišćenja na donjoj strani motora **7** isključivo pomoću suhe krpe ili pomoću kista za prašinu. Obratite pažnju na to, da ništa ne dospje u unutrašnjost uređaja kroz ventilacijske otvore.

Nakon čišćenja

Ostavite da se svi dijelovi dobro osuše, prije nego što stajajući mikser ponovo sastavite i koristite.

Čuvanje uređaja

- ⇒ Kada stajajući mikser duže vrijeme ne koristite, temeljito ga očistite (vidi poglavlje „Čišćenje“).
- ⇒ Mrežni kabel **6** namotajte na namatač za kabel **8**, koji se nalazi na dnu bloka motora **7**.
- ⇒ Stajajući mikser čuvajte na hladnom i suhom mjestu.

Zbrinjavanje



Uređaj nikako ne bacajte u obično kućno smeće. Ovaj proizvod spada u važnost uredbe evropske direktive 2012/19/EU.

Uređaj zbrinite preko autoriziranog poduzeća za zbrinjavanje otpada ili preko Vašeg komunalnog poduzeća.

Obratite pažnju na aktualno važeće propise. U slučaju dvojbe se povežite sa svojim mjesnim poduzećem za zbrinjavanje otpada.



Sve materijale ambalaže zbrinite na način neškodljiv za okoliš.

Jamstvo & servis

Na ovaj uređaj vrijedi jamstvo u trajanju od 3 godine od datuma kupovine. Uređaj je pažljivo proizveden i prije isporuke brižljivo kontroliran. Molimo sačuvajte blagajnički račun kao dokaz o kupnji.

Molimo da se u slučaju ostvarivanja prava na jamstvo telefonski povežete sa Vašom servisnom ispostavom. Samo na taj način vaša roba može biti besplatno uručena.

Jamstvo vrijedi samo za greške materijala i izrade, a ne za transportne štete, potrošne dijelove ili oštećenja lomljivih dijelova, na primjer prekidača ili baterija.

Proizvod je namijenjen isključivo za privatnu, a ne za gospodarstvenu uporabu.

U slučaju nestručnog rukovanja, rukovanja protivnog namjeni uređaja, primjene sile i zahvata, koji nisu izvršeni od strane našeg ovlaštenog servisnog predstavništva, važenje jamstva prestaje. Vaša zakonska prava ovim jamstvom ostaju netaknuta.

Jamstveni rok se ne produžava uslijed ostvarivanja prava na jamstvo. To vrijedi i za zamijenjene i popravljene dijelove. Eventualno već prilikom kupovine prisutna oštećenja i nedostaci moraju biti javljena neposredno nakon raspakiranja, ali najkasnije dva dana nakon datuma kupovine. Popravke vršene nakon isteka jamstvenog roka podliježu obavezi plaćanja.

 **Servis Hrvatska**

Tel.: 0800 777 999

E-Mail: kompernass@lidl.hr

IAN 100484

Dostupnost deljne telefonske linije:

Ponedjeljak do petak od 8:00 - 20:00 sati (SEV)

Uvoznik

Lidl Hrvatska d.o.o. k.d.,
p.p. 61
10020 Novi Zagreb

Proizvođač:

KOMPERNASS HANDELS GMBH
BURGSTRASSE 21
44867 BOCHUM
GERMANY
www.kompernass.com

CUPRINS

PAGINA

Introducere	26
Utilizarea conform destinației	26
Furnitura	26
Descrierea aparatului	26
Date tehnice	26
Indicații de siguranță	27
Dezambalarea	29
Amplasarea	29
Operarea	29
Umplerea și montarea recipientului de amestecare	29
Selectarea treptei de viteză	29
Umplerea în timpul funcționării	30
Demontarea recipientului de amestecare	30
Sfaturi utile	30
Rețete	31
Shake de banane	31
Shake de vanilie	31
Shake de cappucino	31
Tropical-Mix	31
Shake de nucă și nuga	31
Shake de morcovi	31
Mix de coacăze	31
Shake Hawaii	32
Mix de fructe ananas și căpșuni	32
Supă andaluză rece (Gazpacho)	32
Curățarea	32
Curățarea recipientului de amestecare	33
Curățarea blocului motor	34
După curățare	34
Depozitarea	34
Eliminarea aparatelor uzate	34
Garanția și service-ul	34
Importator	35

Blender

Introducere

Felicitări pentru cumpărarea noului dumneavoastră aparat!

Acum dețineți un produs de calitate excepțională. Instrucțiunile de utilizare sunt parte integrantă a produsului. Acestea conțin indicații importante privind siguranța, modul de utilizare și de eliminare a aparatelor uzate. Înainte de a utiliza produsul, familiarizați-vă cu toate indicațiile de operare și de siguranță. Utilizați acest produs numai în modul descris și doar pentru domeniile de utilizare specificate. Dacă înmânați produsul altor persoane, predați, de asemenea, și documentele aferente.

Utilizarea conform destinației

Acest aparat este destinat ...

- amestecării și zdrobirii alimentelor și pentru măcinarea cuburilor de gheață (așa-numitul „Crushen”),
- utilizării pentru cantități reduse procesate în bucătăria de acasă, și numai în spații uscate.

Acest aparat nu este destinat ...

- mărunțirii alimentelor dure, de exemplu, nuci, sâmburi, boabelor mari sau tijeilor de plante,
- procesării de materiale care nu se încadrează în categoria alimente,
- utilizării profesionale sau industriale,
- utilizării în medii umede sau în aer liber,
- prelucrării lichidelor fierbinți/în fierbere.

Utilizați numai accesoriile și piesele de schimb destinate acestui aparat. Este posibil ca celelalte componente să nu fie suficient de adecvate sau sigure!

Furnitura

După dezambalare verificați dacă furnitura este completă. Furnitura conține:

- 1 x bloc motor cu cablu de alimentare și ștecăr
- 1 x recipient de amestecare și cuțite montate fix
- 1 x capac
- 1 x dop de umplere
- 1 x manual de utilizare

Descrierea aparatului

- 1 Dop de umplere
- 2 Capac
- 3 Recipient de amestecare
- 4 Cuțite
- 5 Întrerupător
- 6 Cablu de alimentare
- 7 Bloc motor
- 8 Mosor cablu
- 9 Scală gradată

Date tehnice

Tensiune nominală: 220 - 240 V ~, 50 Hz

Putere nominală: 550 W

Capacitate max.: 1,75 l

Clasa de protecție: II

Timpul de operare

continuă: 3 de minute

Timpul de operare continuă indică pentru cât timp un aparat poate fi operat fără ca motorul să se supraîncălzească și să se defecteze. După terminarea duratei de funcționare continuă specificată, aparatul trebuie oprit până când motorul atinge din nou temperatura camerei.

Indicații de siguranță

⚠ Pentru a evita pericolul de electrocutare:

- Asigurați-vă că blocul motor, cablul de alimentare sau ștecărul nu sunt niciodată introduse în apă sau în alte lichide.
- Utilizați aparatul numai în încăperi uscate, niciodată în aer liber sau în medii umede.
- Evitați contactul cablului cu lichide sau umezirea acestuia atât timp cât este în funcțiune. Ghidați cablul astfel încât să nu se blocheze sau să se deterioreze într-un alt mod.
- Dacă ștecărul sau cablul de alimentare se defectează, solicitați imediat repararea de către personal specializat sau de către serviciul clienți, pentru a evita periclitările.
- După utilizare, scoateți totdeauna ștecărul din priză. Simpla oprire nu este suficientă, deoarece în aparat mai există încă tensiune, atât timp cât ștecărul este în priză.
- Înainte de fiecare utilizare, verificați dacă aparatul este în stare de funcționare ireproșabilă. Aparatul nu poate fi utilizat dacă observați deteriorări, în special deteriorări ale blocului motor sau ale recipientului de amestecare.
- Scoateți ștecărul din priză dacă percepeți zgomote neobișnuite sau în cazul defecțiunilor de funcționare sesizabile.

⚠ Pentru a evita supraîncălzirea sau pericolul de incendiu:

- Nu utilizați aparatul într-un loc expus radiației solare directe sau în aria de influență a aparatelor generatoare de căldură;
- Nu introduceți niciodată lichide clocotite sau alimente foarte fierbinți în recipientul de amestecare! Înainte de a le introduce în recipient, așteptați să se răcească la temperatura camerei. În caz contrar aparatul se poate supraîncălzi, iar sticla recipientului poate plezni!
- Nu utilizați aparatul dacă recipientul de amestecare este gol.

⚠️ Pentru a evita pericolul de accidente sau răniri:

- Nu introduceți niciodată mâna în recipientul de amestecare, mai ales în timpul funcționării. Cuțitele sunt extrem de ascuțite!
- nu deschideți capacul în timpul funcționării aparatului. În caz contrar, din recipient pot fi aruncate cu viteză mare bucăți de alimente!
- Nu introduceți tacâmuri sau obiecte de amestecat în interiorul recipientului de amestecare, atât timp cât aparatul este în funcțiune. Pericol considerabil de rănire la contactul cu cuțitele la o viteză de rotație ridicată!
- Pentru a putea interveni prompt în caz de pericol, nu lăsați aparatul să funcționeze nesupravegheat;
- Copiii trebuie supravegheați, pentru a împiedica utilizarea aparatului ca jucărie.
- Nu utilizați aparatul în alte scopuri decât cele descrise în aceste instrucțiuni.
- Atunci când nu este posibilă supravegherea și înaintea asamblării, dezasamblării sau curățării, aparatul se va scoate întotdeauna din priză.
- Nu este permisă utilizarea de către copii a acestui aparat.
- Aparatul și cablul de conexiune nu se vor păstra la îndemâna copiilor.
- Acest aparat poate fi utilizat de persoane cu abilități fizice, senzoriale sau mentale reduse sau fără experiență și/sau fără cunoștințe necesare dacă sunt supravegheate sau dacă au fost instruite cu privire la utilizarea sigură a acestui aparat și au înțeles pericolele cu privire la acesta.
- Copiii nu au voie să se joace cu aparatul.
- Manevrați aparatul cu atenție. Cuțitele sunt foarte de ascuțite!
- Procedați cu atenție la golirea accesoriului de mixare!
Cuțitele sunt foarte de ascuțite!
- Procedați cu atenție la curățarea aparatului! Cuțitele sunt foarte de ascuțite.
- Opriiți aparatul și scoateți ștecărul din priză înaintea schimbării accesoriilor sau manevrării componentelor care se mișcă în timpul funcționării.
- Utilizați recipientul de amestecare numai împreună cu blocul motor livrat!
- Asigurați-vă că mixerul este întotdeauna deconectat înaintea ridicării recipientului de amestecare de la blocul motor!

Dezambalarea

- Îndepărtați toate ambalajele și foliile de protecție de pe aparat. Păstrați ambalajul pentru depozitarea aparatului sau pentru expedierea acestuia în cazul în care trebuie reparat.
- Înainte de punerea în funcțiune a aparatului, asigurați-vă că aparatul nu este defect, la fel și cablul de alimentare cu ștecăr și accesoriile sau celelalte componente ale aparatului.
- Curățați bine toate părțile componente înainte de prima utilizare a mixerului vertical (vezi „Curățarea”).

Amplasarea

După curățarea tuturor componentelor în modul descris în secțiunea „Curățarea”:

- ⇒ Amplasați aparatul astfel încât ...
 - cablul ⑥ să poată fi ghidat în spate prin decupaj,
 - ștecărul să fie ușor accesibil, pentru a-l putea scoate din priză în caz de pericol,
 - să fie așezat stabil și să nu alunece, astfel încât ventuzele să adere bine pentru a evita răsturnarea aparatului în caz de vibrații,
 - cablul ⑥ să nu ajungă în perimetrul de lucru și să răsturnați aparatul în caz de tragere involuntară.

Operarea

⚠ Avertizare!

Motorul se oprește în momentul în care ați demontat recipientul de amestecare ③ de pe blocul motor ⑦. Se poate să fi uitat după aceea că aparatul este încă pornit. Motorul pornește pe nepregătite după montarea recipientului de amestecare ③.

De aceea:

- introduceți ștecărul în priză doar după ce ați umplut, montat și închis recipientul ③;
- înainte de montare, asigurați-vă totdeauna că aparatul este oprit sau că ștecărul este scos din priză;
- opriți aparatul, scoateți ștecărul din priză și așteptați oprirea completă a aparatului înainte de demontarea recipientului ③.

Umplerea și montarea recipientului de amestecare

- ⇒ Demontați recipientul ③ de pe blocul motor ⑦ și îndepărtați capacul ②.
- ⇒ Umpleți recipientul ③ și apăsați apoi capacul ② bine pe recipient ③. Asigurați-vă că și vârful recipientului ③ este închis.
- ⇒ Introduceți dopul ① în deschizătura din capac și rotiți-l în sens orar.
- ⇒ Așezați recipientul ③ umplut și închis pe blocul motor ⑦. Rotiți ușor recipientul ③ până când îl puteți apăsa în jos. Motorul pornește numai dacă recipientul de amestecare ③ este așezat fix pe blocul motor.

Selectarea treptei de viteză

Când recipientul ③ gata umplut și închis complet este poziționat pe blocul motor ⑦ puteți porni aparatul.

⇒ Poziționați întrerupătorul la ❶ ...

- Treapta 1-3

alimente lichide sau semidure pentru amestecare sau zdrobire

- Treapta 3-5

pentru alimente mai dure sau pentru mărunțire

- Treapta Ice Crush/Clean

pentru funcționare scurtă prin impulsuri, de exemplu, pentru măcinarea cuburilor de gheață sau pentru curățare. Nu lăsați întrerupătorul ❶ în această poziție, pentru a evita suprasolicitarea motorului. De aceea, țineți întrerupătorul ❶ în această poziție numai pentru un timp scurt.

❶ **Indicație**

Umpleți recipientul de amestecare ❸ cu maxim 180 g de gheață. Aparatul nu va măcina optim o cantitate mai mare de gheață.

Umplerea în timpul funcționării

⚠ **Avertizare!**

Dacă doriți să introduceți ceva în recipient în timpul funcționării aparatului, utilizați numai dopul de umplere ❶ prevăzut în acest scop.

- Nu deschideți capacul ❷ sub niciun pretext. Din recipient pot fi aruncate cu viteză mare bucăți de alimente!
- Nu introduceți tacâmuri sau obiecte de amestecat în interiorul recipientului ❸ atât timp cât aparatul este în funcțiune. Pericol considerabil de rănire la contactul cu cuțitele ❹ la o viteză de rotație ridicată!

Pentru a adăuga ceva în timpul mersului ...

⇒ rotiți dopul de umplere ❶ în sens antiorar și scoateți-l afară;

⇒ Completați ingrediente.

⇒ după umplere așezați la loc dopul ❶ și rotiți-l în sens orar.

Demontarea recipientului de amestecare

După terminarea procesării alimentelor:

⇒ Mai întâi, comutați întotdeauna întrerupătorul ❶ în poziția oprit („OFF”) și scoateți ștecărul din priză.

⇒ așteptați până la oprirea completă a motorului înainte de demontarea recipientului de umplere ❸. Pentru aceasta, nu este nevoie să rotiți recipientul ❸.

Sfaturi utile

- Pentru a obține rezultate mai bune la zdrobirea ingredientelor mai consistente, introduceți pe rând porții mici în recipient ❸, în loc de a umple o cantitate mare dintr-o dată.
- Când procesați ingrediente consistente, tăiați-le în bucăți mici (2-3 cm).
- La amestecarea ingredientelor lichide începeți cu o cantitate redusă de lichid. Apoi introduceți treptat restul prin deschizătura din dop.
- Dacă, în timpul funcționării, țineți cu mâna de mixerul închis, puteți asigura o stabilitate mai mare a aparatului.
- Pentru amestecarea lichidelor consistente este utilă funcționarea prin impulsuri, pentru a evita blocarea cuțitelor ❹.

❶ **Indicație**

Nu utilizați aparatul pentru a măcina sare, zahăr tos sau zahăr candel. De exemplu, pentru a obține zahăr pudră.

Rețete

Shake de banane

2 banane

cca 2 linguri de zahăr (în funcție de cât sunt de coapte bananele și după gust)

1/2 de litru de lapte

1 vârf de suc de lămâie

Decojii bananele și zdrobiți-le cu treapta a 2-a.

Adăugați treptat laptele, apoi zahărul și sucul de lămâie. Amestecați toate ingredientele până obțineți un lichid omogen.

Serviți băutura frapată.

Shake de vanilie

1/4 de litru de lapte

250 g de înghețată de vanilie

125 ml de cuburi de gheață

1 1/2 lingurițe de zahăr

Zdrobiți cuburile de gheață cu treapta Ice Crush/Clean. Adăugați restul ingredientelor în mixer.

Amestecați totul la treapta 2 până când apare un lichid uniform.

Shake de cappucino

65 ml de espresso rece (sau o cafea foarte tare)

65 ml de lapte

15 g de zahăr

65 ml de înghețată de vanilie

100 ml de gheață zdrobită

Zdrobiți cuburile de gheață cu treapta Ice Crush/Clean. Adăugați cafeaua espresso, laptele și zahărul.

Amestecați toate ingredientele cu treapta a 2-a până se dizolvă zahărul. La final adăugați înghețata de vanilie și amestecați puțin cu 1 treaptă.

Tropical-Mix

125 ml de suc de ananas

60 ml de suc de papaya

50 ml de suc de portocale

1/2 cutie mică cu suc de piersică

125 ml de cuburi de gheață

Zdrobiți cuburile de gheață cu treapta Ice Crush/Clean. Adăugați ingredientele în mixer și amestecați-le cu treapta a 3-a.

Shake de nucă și nuga

1/2 de litru de lapte

200 g de cremă de nucă și nuga

1 cupă de înghețată de vanilie

50 ml de smântână

Amestecați toate ingredientele în mixer la treapta a 3-a până se omogenizează.

Shake de morcovi

300 ml de suc de mere

500 ml de suc de morcovi

4 lingurițe de ulei (din germeni de grâu sau rapiță)

4 linguri de suc de lămâie

Praf de ghimbir

Piper

Adăugați sucul de mere, uleiul și sucul de lămâie în mixer și amestecați cu treapta a 2-a.

Adăugați apoi sucul de morcovi și amestecați cu treapta a 2-a. Condimentați apoi Shake-ul cu praf de ghimbir și piper.

Mix de coacăze

2 lingurițe de miere

2 banane

1/4 litri de zer

1/4 litri suc de coacăze (negre)

Adăugați toate ingredientele în mixer și amestecați cu treapta a 3-a.

Shake Hawaii

4 banane
1/4 litri de suc de ananas
1/2 litri de lapte
2 linguri de miere
1/4 litri de rom

Decojiți bananele și zdrobiți-le cu treapta a 2-a.
Adăugați restul ingredientelor și amestecați cu
1 treaptă.

Mix de fructe ananas și căpșuni

250 ml de suc de ananas
200 g de căpșuni
300 ml de suc de mere
4 cuburi de gheață

Zdrobiți cuburile de gheață cu treapta Ice Crush/
Clean. Spălați căpșunii și îndepărtați miezul verde.
Zdrobiți-i cu treapta a 2-a.
Adăugați restul ingredientelor și amestecați cu
1 treaptă.

Supă andaluză rece (Gazpacho)

1/2 castraveți
1 roșie
1 ardei verde
1/2 cepe
1 cățel de usturoi
1/2 chifle albe
1/2 lingurițe de sare
1 linguriță de oțet de vin roșu
1 lingură de ulei de măsline

Tăiați legumele în bucăți de cca 2 cm. Adăugați
mai întâi roșiile și apoi castraveții în mixer. Zdrobiți-le
cu treapta a 3-a. Adăugați restul ingredientelor și
amestecați cu treapta a 3-a până obțineți o supă
omogenă. Serviți cu pâine.

Indicație

Rețete fără garanție. Toate datele privind ingredien-
tele și informațiile de preparare sunt orientative.
Completați aceste sugestii cu date din experiența
personală.


Indicație

În cazul în care manifestați intoleranță la lactoză,
vă recomandăm să utilizați lapte fără lactoză.
Aveți totuși în vedere că laptele fără lactoză este
puțin mai dulce.

Curățarea

Atenție!

Înainte de a curăța mixerul și componentele:

- Asigurați-vă că aparatul este oprit și ștecărul
este scos din priză.
-  Blocul motor **7** nu trebuie introdus în apă sau
în alte lichide sub niciun pretext. Acest lucru
presupune pericol de moarte prin electrocutare
și duce la defectarea aparatului.
- Nu deschideți niciodată carcasa aparatului.
Pericol de moarte prin electrocutare.
- Nu demontați niciodată cuțitele **4** și nu introdu-
ceți mâna în recipientul de amestecare **3**;
Cuțitele **4** sunt extrem de ascuțite!
- Nu utilizați solvenți sau substanțe abrazive pentru
suprafețele de plastic deoarece se deteriorează.

Curățarea recipientului de amestecare

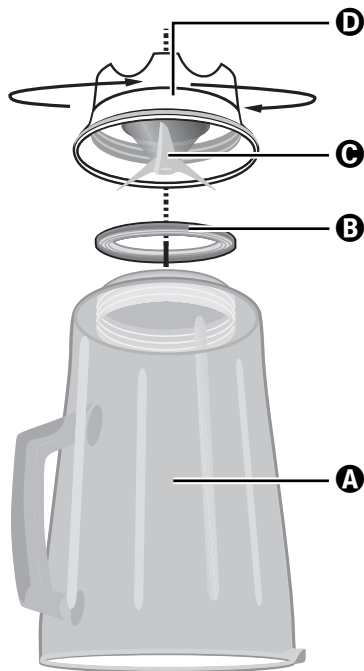
- ⇒ Curățați recipientul ③ numai cu o perie cu coadă lungă, pentru a evita răniurile la contactul mâinilor cu cuțitele ④.
- ⇒ Pentru depunerile persistente, recipientul ③ poate fi spălat în mașina de spălat vase. Pentru aceasta, demontați întotdeauna recipientul ③ în modul descris mai târziu.
- ⇒ Curățați capacul ② și dopul de umplere ① în mașina de spălat vase cu programul normal de spălat vase.

Dacă curățați mixerul imediat după utilizare, veți obține, în cele mai multe cazuri, o igienizare suficientă apelând la următoarea alternativă:

- ⇒ Umpleți recipientul ③ cu 750 ml apă și adăugați câteva picături de detergent delicat. Închideți capacul ② și așezați unitatea de mixare ③ pe blocul motor ⑦.

Introduceți ștecărul în priză și acționați de câteva ori comanda Ice Crush/Clean astfel încât cuțitul de tăiat ④ să treacă prin apă la viteză maximă. Clătiți apoi unitatea de mixare ③ cu apă curată din abundență, astfel încât să fie înlăturate toate resturile de detergent.

Dacă depunerile nu se desprind, desfaceți componenta de plastic de sub recipient ③ și cuțitele ④ de la vasul de sticlă al recipientului ③:



- A** Componentă de sticlă
- B** Inel de etanșare
- C** Cuțit
- D** Componentă de plastic

- ⇒ demontați recipientul ③ de pe blocul motor ⑦;
- ⇒ Rotiți componenta de plastic ④ a recipientului ③ în sens antiorar pentru a desface vasul de sticlă ④ al recipientului ③.

⚠ **Atenție!**

Manipulați cuțitele ④ atent. Acestea sunt foarte ascuțite. Pericol de rănire!

- ⇒ Curățați temeinic ambele componente în apă cu detergent sau în mașina de spălat vase;
- ⇒ Așezați din nou componenta de plastic ④ a recipientului ③ pe vasul de sticlă ④ a recipientului ③. Verificați dacă ați introdus inelul de etanșare ⑤.

Curățarea blocului motor

- ⇒ Pentru curățarea suprafețelor utilizați un prosop uscat sau cel mult puțin umed.
- ⇒ La fiecare curățare, verificați dacă pe comutatorul de contact din suportul pentru recipient ③ s-au depus resturi și este blocat. Dacă nu puteți îndepărta resturile cu un colț de hârtie, adresați-vă serviciului pentru clienți. Nu utilizați obiecte solide - comutatorul de contact se poate defecta.
- ⇒ Curățați eventualele depuneri de sub blocul motor ⑦ numai cu un prosop uscat sau cu un pământ de praf. Asigurați-vă ca prin orificiile de aerisire nu vor intra obiecte străine în aparat.

După curățare

Uscați bine toate componentele înainte de o nouă utilizare a mixerului.

Depozitarea

- ⇒ Dacă nu utilizați aparatul un timp mai îndelungat, curățați-l temeinic (vezi secțiunea „Curățarea”).
- ⇒ Înfășurați cablul de alimentare ⑥ pe mosorul ⑧ aflat sub blocul motor ⑦.
- ⇒ Depozitați mixerul într-un loc uscat și răcoros.

Eliminarea aparatelor uzate



Nu aruncați aparatul sub nicio formă în gunoiul menajer obișnuit. Acest produs cade sub incidența directivei europene 2012/19/EU.

Eliminați aparatul prin intermediul unei firme specializate și autorizate sau prin intermediul serviciului local de eliminare a deșeurilor. Respectați reglementările actuale în vigoare. Dacă aveți nelămuriri, contactați serviciul dumneavoastră local de eliminare a deșeurilor.



Eliminați toate materialele de ambalare într-un mod ecologic.

Garanția și service-ul

Pentru acest aparat, se acordă o garanție de 3 ani începând cu data cumpărării. Aparatul a fost produs cu grijă și verificat cu scrupulozitate înaintea livrării. Păstrați bonul de casă pentru a dovedi cumpărarea. Dacă aveți solicitări privind garanția, contactați telefonic centrul dumneavoastră de service. Numai astfel poate fi asigurată o expediție gratuită a produsului dumneavoastră.

Garanția acoperă numai defectele de material sau de fabricație, nu și deteriorările rezultate în urma transportului, piesele de uzură sau deteriorările apărute la componentele fragile, de ex. comutatoare sau acumulatori. Aparatul este destinat numai pentru uz privat și nu pentru o utilizare profesională.

În cazul manevrării abuzive sau necorespunzătoare, uzului de forță și intervențiilor care nu au fost realizate de către filiala noastră autorizată de service, garanția își pierde valabilitatea. Drepturile dumneavoastră legale nu sunt limitate prin această garanție. Perioada de garanție nu este prelungită după realizarea reparațiilor realizate în perioada garanție. Acest lucru este valabil și pentru piesele înlocuite și reparate. Deteriorările și deficiențele prezente deja la cumpărare trebuie semnalate imediat după dezambalare sau cel târziu în două zile de la data cumpărării. Reparațiile necesare după expirarea perioadei de garanție se efectuează contra cost.

RO Service România

Tel.: 0800896637

E-Mail: kompernass@lidl.ro

IAN 100484

Acces linie telefonică directă:

De luni până vineri, între orele 8:00 - 20:00 (CET)

Importator

KOMPERNASS HANDELS GMBH
BURGSTRASSE 21
44867 BOCHUM
GERMANY
www.kompernass.com

Съдържание

Страница

Въведение	38
Употреба по предназначение	38
Окомплектовка на доставката	38
Описание на уреда	38
Технически характеристики	38
Указания за безопасност	39
Разопаковане	41
Инсталиране	41
Обслужване	41
Напълване и монтиране на приставката на миксера	41
Избиране на степента на скорост	41
Пълнене по време на експлоатация	42
Сваляне на приставката	42
Полезни указания	42
Рецепти	43
Бананов шейк	43
Ванилов шейк	43
Капучино шейк	43
Тропически микс	43
Лешников шейк	43
Морковен шейк	43
Микс с касис	43
Шейк "Хавай"	44
Плодов микс с ананас и ягода	44
Испанска студена супа (Гаспачо)	44
Почистване	44
Почистване на приставката	45
Почистване на двигателния блок	46
След почистването	46
Съхранение	46
Изхвърляне	46
Гаранция и сервиз	46
Вносител	47

Блендер

Въведение

Поздравяваме ви за покупката на вашия нов уред.

Избрали сте висококачествен продукт.

Ръководството за потребителя е неразделна част от този продукт. То съдържа важни указания за безопасността, употребата и предаването за отпадъци. Преди да използвате продукта се запознайте с всички указания за обслужване и безопасност. Използвайте продукта, само както е описано и за посочените области на приложение. Предавайте продукта на трети лица заедно с цялата документация.

Употреба по предназначение

Този уред е предназначен за ...

- смесване, пюриране и бъркане на хранителни продукти, както и за разтрошаване на лед (т. нар. "Crushen"),
- само в домашни количества и само за лична употреба в сухи помещения.

Този уред не е предназначен за ...

- раздробяване на твърди хранителни продукти, като напр. орехи, ядки, големи зърна или стебла,
- преработването на материали, които не са хранителни продукти,
- използване за стопански и промишлени цели,
- използването във влажна среда или на открито,
- преработка на горещи/врящи течности.

Използвайте само аксесоари и резервни части, които са предназначени за този уред. Възможно е другите части да не са достатъчно подходящи или сигурни!

Окомплектовка на доставката

След като разопаковате, контролирайте доставката за комплектност. Обемът на доставката съдържа:

- 1 x двигателен блок с кабел и щепсел
- 1 x приставка с неподвижно монтирани ножове
- 1 x капак
- 1 x капачка за пълнене
- 1 x ръководство за експлоатация

Описание на уреда

- 1 Капачка за пълнене
- 2 Капак
- 3 Приставка
- 4 Нож
- 5 Прекъсвач
- 6 Кабел
- 7 Двигателен блок
- 8 Навиване на кабела
- 9 Скала


Технически характеристики

Номинално напрежение: 220 - 240 V ~, 50 Hz

Номинална мощност: 550 Watt

Макс. количество на

запълване: 1,75 л.

Клас на защита: II 

Кратковременен режим: 3 минути

Кратковременният режим на работа показва колко време може да се използва уредът без двигателят да прегрее и да се повреди. След като изтече посоченото за кратковременния режим време, уредът трябва да се изключи, докато двигателят се охлади на стайна температура.

Указания за безопасност

⚠ За да се предотврати опасност за живота от токов уред:

- Уверете се, че двигателният блок, кабелът или щепселът не могат да се потопят никога във вода или други течности.
- Използвайте уреда само в сухи помещения, никога на открито или във влажна среда.
- По време на работа внимавайте мрежовият кабел никога да не се мокри или навлажнява. Прекарайте го така, че никога да не се притиска или поврежда по друг начин.
- За да избегнете опасности, веднага дайте повредения щепсел или кабел за смяна от оторизиран електротехник или сервиз.
- След употреба изключвайте винаги щепсела от контакта. Не е достатъчно само да го изключите от бутона, тъй като в уреда все още има мрежово напрежение, докато щепселът е включен в контакта.
- Преди всяка употреба контролирайте уреда за безупречното му състояние. Уредът не трябва да се използва, ако той е видимо повреден, особено двигателният блок или стъклената приставка.
- Изключете веднага щепсела от контакта, ако доловите необикновен шум или мирис или когато ясно се вижда, че уредът е повреден.

⚠ За да предотвратите прегряване и опасност от пожар:

- Не използвайте уреда директно при слънчево облъчване или въздействието на топлина от произвеждащи топлина уреди.
- Не пълнете никога врящи течности или много горещи хранителни продукти в миксера! Изчакайте докато те се охладят на температурата на ръката. В противен случай уредът може да прегрее и стъклото на миксера да се пръсне!
- Не използвайте уреда никога, когато е празен, тоест без хранителни продукти в приставката.

⚠ За да предотвратите опасността от злополука или нараняване:

- Не посягайте никога към приставката, особено по време на експлоатация. Ножовете са изключително остри.
- Не отваряйте капака, когато уредът работи. В противен случай е възможно хранителните продукти да изхвърчат навън с висока скорост.
- Не поставяйте никога прибори или бъркалки в приставката на миксера, докато той е включен и работи. Налице е значителна опасност от нараняване, когато те се докоснат до бързо въртящите се ножове!
- Не оставяйте уреда без надзор по време на работа, за да можете да реагирате бързо в случай на опасност.
- Децата трябва да се наблюдават, за да е сигурно, че не играят с уреда.
- Не използвайте уреда за други цели, освен за описаните в настоящото ръководство.
- Когато уредът не е под наблюдение и преди сглобяване, разглобяване или почистване винаги го изключвайте от мрежата.
- Уредът не трябва да се използва от деца.
- Уредът и захранващият кабел трябва да се държат далече от деца.
- Този уред може да се използва от лица с ограничени физически, сетивни или умствени възможности или без опит и/или знания, ако са под наблюдение или са инструктирани по отношение на безопасната употреба на уреда и са разбрали опасностите, произтичащи от работата с него.
- Не допускате деца да играят с уреда.
- Бъдете предпазливи при работа с уреда. Ножовете са много остри!
- Действайте внимателно при изпразване на приставката за миксиране! Ножовете са много остри!
- Действайте внимателно при почистване на уреда! Ножовете са много остри!
- Изключете уреда и издърпайте щепсела от контакта, преди да смените принадлежности или да докоснете части, които се движат по време на работа.
- Използвайте приставката единствено с включения в окомплектовката на доставката двигателен блок!
- Уверете се, че миксерът е винаги изключен, преди да отстраните приставката от двигателния блок!

Разопаковане

- Отстранете опаковъчните части или защитното фолио от уреда. Запазете опаковката, за да предпазвате уреда при съхранение или да можете да го изпратите, напр. на ремонт.
- Преди да използвате уреда се убедете, че той не е повреден, това се отнася и до кабела с щепсела и всички други аксесоари и части на уреда.
- Почистете внимателно всички основни части, преди да използвате блендера за първи път (виж "Почистване").

Инсталиране

Когато почистите всички части така, както е описано в "Почистване":

- ⇒ поставете уреда така, че ...
 - кабелът **6** да преминава през процеп на обратната страна.
 - щепселът да бъде веднага достъпен, за да може той да се изключи веднага при налягането на опасност.
 - той да е стабилен и да не се хлъзга, а вакуумните вендузи да намерят опора, за да не се обърне уредът при вибрации.
 - кабелът **6** да не стърчи в работната зона така, че уредът да не се обърне при неволното му дръпване.

Обслужване

⚠ Предупреждение!

Двигателят се изключва, веднага щом приставката **3** се свали от двигателния блок **7**. След това вероятно може да се забрави, че машината е включена. Двигателят стартира неочаквано, щом се монтира приставката **3**:

Затова:

- Включете щепсела в контакта, едва след като приставката **3** се напълни и затвори.
- Преди монтирането се уверявайте винаги, че уредът е изключен или щепселът не е пхнат в контакта.
- Първо изключете, след това издърпайте щепсела и изчакайте спирането на двигателя, преди да свалите приставката **3**.

Напълване и монтиране на приставката на миксера

- ⇒ Вземете приставката **3** от двигателния блок **7** и свалете капака **2**.
- ⇒ Напълнете приставката **3** и натиснете силно капака **2** върху приставката **3**. Внимавайте чучурът на приставката **3** да е затворен.
- ⇒ Пхнете капачката **1** в отвора на капака и я завъртете по посока на часовниковата стрелка.
- ⇒ Поставете запълнената и затворена приставка **3** върху двигателния блок **7**. Завъртете леко приставката **3**, докато можете да я натиснете надолу. Само когато приставката **3** се намира в една и съща равнина, двигателят може да стартира.

Избиране на степента на скорост

Когато се напълни приставката **3** и се постави плътно затворена върху двигателния блок **7**, Вие можете да включите уреда.

⇒ Поставете превключвателя 5 на ...

- **степен 1-3**

за течни и средно твърди хранителни продукти, за смесване, пюриране и бъркане

- **степен 3-5**

за по-твърди хранителни продукти или за раздр-бяване

- **степен трoшенe на лед/почистванe**

за кратко и мощно импулсно включване, напр. за разтрошаване на лед и почистване.

Прекъсвачът 5 не се фиксира в това положение, за да не се претоварва двигателят. Затова оставете прекъсвача 5 натиснат в това положение само за кратко време.

i **Указание**

Сложете в приставката 3 максимум 180 гр. бучки лед. В противен случай уредът няма да разтроши леда оптимално.

Пълнене по време на експлоатация

⚠ Предупреждение!

Ако желаете да поставите нещо по време на експлоатация, трябва да отворите само предвидената специално за това капачка за пълнене 1.

- В никакъв случай не отваряйте капача 2. В противен случай е възможно хранителните продукти да изхвърчат навън с висока скорост.
- Не поставяйте никога прибори или бъркалки в приставката на миксера 3, докато той е включен и работи. Налице е значителна 4 опасност от нараняване, когато те се докоснат до бързо въртящите се ножове!

За да поставите нещо по време на експлоатация, ...

⇒ завъртете капачката 1 в посока противоположна на часовниковата стрелка и я издърпайте.

⇒ Попълнете съставки.

⇒ След това пхнете капачката 1 отново в отвора и я завъртете в посока на часовниковата стрелка.

Сваляне на приставката

Когато приключи обработването на напълнените хранителни продукти:

⇒ поставяйте винаги първо прекъсвача 5 на положение изкл. („OFF“) и издърпайте щепсела.

⇒ изчакайте първо пълното спиране на двигателя, преди да извадите направо нагоре приставката 3. Тук не е необходимо да се завърта приставката 3.

Полезни указания

- За да постигнете възможно най-добри резултати при пюриране на твърди хранителни продукти, поставяйте в приставката 3 постепенно малки порции вместо да напълните наведнъж голямо количество.
- Когато преработвате твърди хранителни продукти, нарежете ги на малки парчета (2-3 см.).
- При бъркане на течни съставки започнете първо с малко количество течност. След това прибавяйте постепенно допълнително течност през отвора на капача.
- Ако поставите ръката си по време на експлоатация отгоре върху затворения блендер, Вие можете да стабилизирате по този начин самия уред.
- За бъркане на твърди или гъсти хранителни продукти може да е от полза да използвате импулсния режим на работа, за да предотвратите блокирането на ножа 4.

i **Указание**

Не използвайте уреда за разбиване на едра готварска сол, рафинирана или бяла захар. Например да правите пудра захар.

Рецепти

Бананов шейк

2 банана

ок. 2 супени лъжици захар (според степента на зрялост на бананите и личните предпочитания)

1/2 литър мляко

малко лимонов сок

Обелете бананите и ги пюрирайте на степен 2. Добавете постепенно млякото, след това захарта и лимоновия сок. Разбърквайте всичко, докато се получи хомогенна течност. Сервирайте шейка охладен.

Ванилов шейк

1/4 литър мляко

250 гр. ванилов сладолед

125 мл кубчета лед

1 1/2 чаени лъжици захар

Разтрошете леда на степен Ice Crush/Clean. Добавете останалите съставки в миксера. Миксерайте всичко на степен 2 до получаване на еднородна смес.

Капучино шейк

65 мл студено еспресо (или много силно кафе)

65 мл мляко

15 гр. захар

65 мл ванилов сладолед

100 мл натрошени кубчета лед

Разтрошете леда на степен Ice Crush/Clean. Добавете еспресото, млякото и захарта. Разбъркайте всичко на степен 2, докато захарта се разтвори. Накрая добавете ваниловия сладолед и разбъркайте всичко за кратко на степен 1.

Тропически микс

125 мл сок от ананас

60 мл сок от папая

50 мл портокалов сок

1/2 малка консерва праскови със сок

125 мл кубчета лед

Разтрошете леда на степен Ice Crush/Clean. Добавете всички съставки в миксера и смесете всичко на степен 3.

Лешников шейк

1/2 литър мляко

200 гр. лешников крем

1 топка ванилов сладолед

50 мл сметана

Размесете всички съставки в миксера на степен 3, докато се получи хомогенна течност.

Морковен шейк

300 мл ябълков сок

500 мл сок от моркови

4 супени лъжици масло (масло от пшенични кълнове или рапично масло)

4 супени лъжици лимонов сок

джинджифил на прах

черен пипер

Добавете ябълковия сок, маслото и лимоновия сок в миксера и размесете всичко на степен 2. Добавете сока от моркови и разбъркайте всичко на степен 2. Овкусете шейка с джинджифил на прах и черен пипер.

Микс с касис

2 чаени лъжици мед

2 банана

1/4 литър мътеница

1/4 литър сок от касис

Добавете всички съставки в миксера и размесете всичко на степен 3.

Шейк "Хавай"

4 банана
1/4 литър сок от ананас
1/2 литър мляко
2 СЛ мед
1/4 литър ром

Обелете бананите и ги пюрирайте на степен 2. Добавете останалите съставки и размесете всичко на степен 1.

Плодов микс с ананас и ягода

250 мл сок от ананас
200 гр. ягоди
300 мл ябълков сок
4 кубчета лед

Разтрошете леда на степен Ice Crush/Clean. Измийте ягодите и ги почистете. Пюрирайте ги на степен 2. Добавете останалите съставки и смесете всичко на степен 1.

Испанска студена супа (Гаспачо)

1/2 краставица
1 месест домати
1 зелена чушка
1/2 лук
1 скилидка чесън
1/2 бяло хлябче
1/2 чаена лъжица сол
1 чаена лъжица винен оцет
1 супена лъжица зехтин

Нарежете зеленчуците на парчета от около 2 см. Добавете в миксера първо домати, а след това и краставиците. Пюрирайте ги на степен 3. Добавете останалите съставки и пюрирайте/ размесете всичко на степен 3, докато се получи хомогенна супа. Сервирайте с хляб.

Указание

Рецепти без гаранция. Всички данни за продуктите и тяхното приготвяне са приблизителни стойности. Допълнете и обогатете тези с Вашите собствени рецепти.

Указание

При непоносимост към лактоза препоръчваме използването на мляко без лактоза. Имайте предвид, че млякото без лактоза е леко сладко.

Почистване

Внимание!

Преди да почистете блендера и неговите части:

- Уверете се, че уредът е изключен и щепселът е дръпнат.



Двигателният блок **7** не трябва да се потапя в никакъв случай във вода или други течности. Това би представлявало опасност за живота от електрически удар, при което може да се повреди и самият уред.

- Не отваряйте никога корпуса на уреда. В противен случай е налице опасност за живота от електрически удар.
- Не демонтирайте никога ножа **4** и не посягайте никога в приставката **3**. Ножът **4** е изключително остър!
- Не използвайте разтворители и търкащи препарати за пластмасовите повърхности, в противен случай те могат да се повредят.

Почистване на приставката

- ⇒ Почистете приставката **3** само с четка с дълга дръжка, за да не можете да се нараните на ножа **4**.
- ⇒ При упорити замърсявания е възможно да измиете приставката **3** в машина за миене на чинии. За целта разглобете приставката **3**, както това е описано по-долу.
- ⇒ Измийте капака **2** и капачката **1** в машина за миене на чинии или като измиете по обикновения начин.

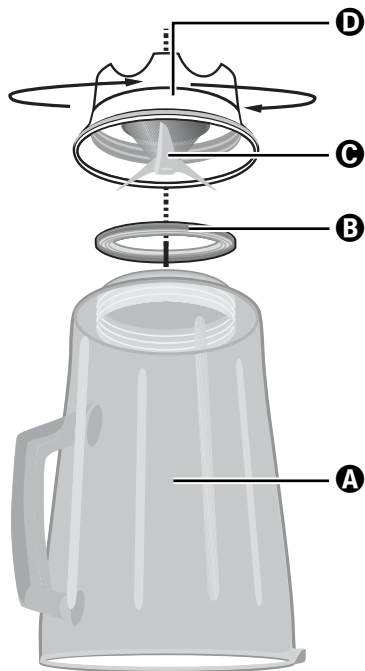
Ако измиете блендера веднага след неговото използване, ще получите в повечето случаи достатъчно хигиенично почистване и по следния алтернативен начин:

- ⇒ Налейте 750 мл вода в наставката на миксера **3** и прибавете няколко капки мек миеш препарат. Затворете капака **2** и поставете наставката на миксера **3** върху двигателния блок **7**.

Включете щепсела в контакта и натиснете няколко пъти бутон за Crush/Clean, така че режещият нож **4** да се завърти с максимални обороти във водата.

Изплакнете след това наставката **3** с чиста вода, така че да се премахнат всички остатъци от миешият препарат.

Ако замърсяванията не могат да се отделят, възможно е да отделите долната пластмасова част **3** с ножа **4** от стъклената част на приставката **3**:



- A** стъклена част
- B** уплътнителен пръстен
- C** нож
- D** пластмасова част

- ⇒ Свалете приставката **3** от двигателния блок **7**.
- ⇒ Завъртете пластмасовата част **D** на приставката **3** в посока обратна на часовниковата стрелка, така че стъклената част **A** на приставката **3** да се отдели.

Внимание!

Бъдете внимателни при боравене с ножовете **C**. Те са много остри. Опасност от нараняване!

- ⇒ Измийте основно двете части в мека сапунена вода или в машината за миене на чинии.
- ⇒ Поставете пластмасовата част **D** на приставката **3** върху стъклената част **A** на приставката **3**. Внимавайте да поставен уплътнителният пръстен **B**.

Почистване на двигателния блок

- ⇒ Използвайте суха или леко навлажнена кърпа, за да почистите повърхностите.
- ⇒ Контролирайте при всяко почистване контактният прекъсвач в държача на приставката **3** да не е блокиран от замърсявания. Ако не можете да отстраните евентуалните замърсявания с гълчето на лист хартия, обърнете се към клиентския сервиз. В никакъв случай не използвайте твърд предмет, контактният прекъсвач може да се повреди по този начин.
- ⇒ Отстранете евентуалните замърсявания от долната страна на двигателния блок **7** само със суха кърпа или четка за прах. Внимавайте нищо да не попада в уреда през вентилационните отвори.

След почистването

Оставете всички части да изсъхнат добре, преди да сглобите отново блендери и да го използвате.

Съхранение

- ⇒ Ако не използвате за по-продължително време блендера, почистете го основно (виж глава „Почистване“).
- ⇒ Завийте кабела **6** в предназначения за това място **8** на дното на двигателния блок **7**.
- ⇒ Съхранявайте блендера на хладно и сухо място.

Изхвърляне



В никакъв случай не изхвърляйте уреда с обикновените битови отпадъци. Този уред подлежи на европейската Директива 2012/19/EU.

Изхвърляйте уреда чрез лицензирана фирма за изхвърляне на отпадъци или общинската служба за изхвърляне на отпадъци.

Спазвайте актуално валидните разпоредби.

В случай на съмнение се свържете със службата за изхвърляне на отпадъци.



Предавайте опаковъчните материали за екологично изхвърляне.

Гаранция и сервиз

За този уред вие получавате гаранция от 3 години от датата на закупуване. Уредът е произведен старателно и е проверен добросъвестно преди доставката.

Запазете касовата бележка като доказателство за покупката. В гаранционен случай се свържете по телефона с вашия сервиз. Само по този начин може да се осигури безплатното изпращане на вашата стока.

Даването на гаранция важи само за материални или фабрични дефекти, но не и за транспортни щети, износващи се части или при повреда на лесно чупливи части, напр. ключове или акумулаторни батерии. Продуктът е предназначен единствено за домашна, а не за професионална употреба.

При непозволена и неправилна употреба, при прилагане на сила или интервенции, които не са извършени от нашия оторизиран сервизен филиал, гаранцията отпада. Законните ви права не се ограничават от тази гаранция.

Гаранционният срок не се удължава от гаранцията. Това важи и за сменени и ремонтирани части. За евентуалните, налични още при закупуването повреди и недостатъци трябва да се съобщи веднага след разопаковането, но най-късно два дена след датата на закупуване. След като изтече гаранционният срок, ремонтите трябва да се заплащат.

BG Сервизно обслужване България

Тел.: 00800 111 4920

Е-мейл: kompennass@lidl.bg

IAN 100484

Работно време на горещата линия:

понеделник до петък от 8:00 ч. – 20:00 ч.

(централноевропейско време)

Вносител

KOMPERNASS HANDELS GMBH

BURGSTRASSE 21

44867 BOCHUM

GERMANY

www.kompennass.com

Περιεχόμενα

Σελίδα

Εισαγωγή	50
Χρήση σύμφωνα με τους κανονισμούς	50
Σύνολο αποστολής	50
Περιγραφή συσκευής	50
Τεχνικές πληροφορίες	50
Υποδείξεις ασφαλείας	51
Αποσυσκευασία	53
Τοποθέτηση	53
Χειρισμός	53
Τροφοδοσία εξαρτήματος ανάμειξης και μοντάρισμα.....	53
Επιλογή βαθμίδας ταχύτητας.....	54
Γέμισμα κατά τη λειτουργία.....	54
Απομάκρυνση εξαρτήματος ανάμειξης.....	54
Χρήσιμες υποδείξεις	54
Συνταγές	55
Μιλκ-σέϊκ μπανάνα.....	55
Μιλκ-σέϊκ βανίλια.....	55
Μιλκ-σέϊκ καπουτσίνο.....	55
Τροπικό μίγμα.....	55
Μιλκ-σέϊκ καρύδια - νουγκά.....	55
Μιλκ-σέϊκ καρότο.....	55
Μιλκ-σέϊκ φραγκοστάφυλο.....	55
Μιλκ-σέϊκ Χαβάη.....	56
Φρουτώδες μίγμα ανανά - φράουλας.....	56
Κρύα σούπα της Ανδαλουσίας (Γκασπάτσο).....	56
Καθαρισμός	56
Καθαρισμός εξαρτήματος ανάμειξης.....	57
Καθαρισμός μονάδας μοτέρ.....	58
Μετά τον καθαρισμό.....	58
Φύλαξη	58
Απομάκρυνση	58
Εγγύηση & Σέρβις	59
Εισαγωγέας	59

Εισαγωγή

Συγχαρητήρια για την αγορά της νέας σας συσκευής.

Αποφασίσατε έτσι την απόκτηση ενός προϊόντος υψηλής ποιότητας. Οι οδηγίες χειρισμού είναι τμήμα αυτού του προϊόντος. Περιέχουν σημαντικές υποδείξεις για την ασφάλεια, τη χρήση και την απόρριψη. Πριν από τη χρήση του προϊόντος εξοικειωθείτε με όλες τις υποδείξεις χειρισμού και ασφάλειας. Χρησιμοποιείτε το προϊόν μόνο όπως περιγράφεται και για τα αναφερόμενα πεδία χρήσης. Σε περίπτωση παράδοσης του προϊόντος σε τρίτους, παραδίδτε και όλα τα έγγραφα.

Χρήση σύμφωνα με τους κανονισμούς

Αυτή η συσκευή προορίζεται για ...

- την ανάμειξη, δημιουργία πολτών και το ανακάτεμα τροφίμων καθώς και για κομμάτισμα για παγάκια (το λεγόμενο "Crushen"),
- αποκλειστικά για οικιακές ποσότητες και μόνο για την ιδιωτική οικιακή χρήση σε στεγνούς χώρους.

Αυτή η συσκευή δεν προορίζεται για ...

- το κομμάτισμα σκληρών τροφίμων όπως π.χ. ξηροί καρποί, κουκούτσια, μεγάλοι σπόροι ή κοτσάνια,
- επεξεργασία υλικών τα οποία δεν είναι τρόφιμα,
- τη χρήση για επαγγελματικούς ή βιομηχανικούς σκοπούς,
- τη χρήση σε υγρό περιβάλλον ή σε εξωτερικό χώρο,
- την επεξεργασία καυτών υγρών/υγρών που βράζουν.

Χρησιμοποιείτε μόνο αξεσουάρ ή ανταλλακτικά τα οποία προορίζονται για αυτή τη συσκευή. Άλλα εξαρτήματα είναι πιθανώς ανεπαρκή ή επισφαλή!

Σύνολο αποστολής


Ελέγχετε μετά την αποσυσκευασία την αποστολή για την πληρότητά της. Στο σύνολο αποστολής περιλαμβάνονται:

- 1 x Μονάδα μοτέρ με καλώδιο δικτύου και βύσμα
- 1 x Εξάρτημα ανάμειξης με σταθερά μονταρισμένη λεπίδα κοπής
- 1 x Καπάκι
- 1 x Καπάκι τροφοδοσίας
- 1 x Οδηγία χρήσεως

Περιγραφή συσκευής

- 1 Καπάκι τροφοδοσίας
- 2 Καπάκι
- 3 Εξάρτημα ανάμειξης
- 4 Λεπίδα κοπής
- 5 Διακόπτης
- 6 Καλώδιο δικτύου
- 7 Μονάδα μοτέρ
- 8 Τύλιξη καλωδίου
- 9 Διαβάθμιση

Τεχνικές πληροφορίες

Ονομαστική τάση:	220 - 240 V ~, 50 Hz
Ονομαστική απόδοση:	550 Watt
Μεγ. ποσότητα πλήρωσης:	1,75 l
Κατηγορία προστασίας :	II 
Χρόνος KB (σύντομης λειτουργίας):	3 λεπτά

Ο χρόνος σύντομης λειτουργίας δείχνει για πόσο χρόνο μπορεί κανείς να λειτουργεί μια συσκευή χωρίς να υπερθερμανθεί το μοτέρ και χωρίς να πάθει βλάβες. Μετά τον δοθέντα χρόνο KB (σύντομος χρόνος λειτουργίας) πρέπει η συσκευή να απενεργοποιηθεί τόσο έως ότου το μοτέρ φτάσει σε θερμοκρασία δωματίου.

Υποδείξεις ασφαλείας

⚠ Για την αποφυγή κινδύνου ζωής μέσω ηλεκτροπληξίας:

- Βεβαιώνετε ότι η μονάδα μοτέρ, το καλώδιο δικτύου ή το βύσμα δεν βυθίζονται ποτέ σε νερό ή σε άλλα υγρά.
- Χρησιμοποιείτε τη συσκευή αποκλειστικά σε στεγνούς χώρους, ποτέ σε εξωτερικό χώρο ή σε υγρό περιβάλλον.
- Να προσέχετε το καλώδιο τροφοδοσίας να μην βρέχεται ή υγραίνεται ποτέ κατά τη διάρκεια λειτουργίας. Να το τοποθετείτε έτσι, ώστε να μην υφίσταται περίπτωση να μαγκωθεί ή να υποστεί άλλου είδους ζημιά.
- Τα βύσματα ή καλώδια δικτύου με βλάβη πρέπει να αντικαθίστανται αμέσως από εξουσιοδοτημένο ειδικό προσωπικό ή από το τμήμα εξυπηρέτησης πελατών, ώστε να αποφεύγονται κίνδυνοι.
- Τραβάτε πάντα μετά τη χρήση το βύσμα από την πρίζα. Η απενεργοποίηση δεν αρκεί διότι υπάρχει ακόμα τάση στη συσκευή, όσο το βύσμα βρίσκεται στην υποδοχή.
- Πριν από κάθε χρήση ελέγχετε τη συσκευή για την άψογή της κατάσταση. Η συσκευή δεν επιτρέπεται να χρησιμοποιείται όταν ανιχνεύονται βλάβες, κυρίως στη μονάδα μοτέρ ή στο γυάλινο εξάρτημα ανάμειξης.
- Τραβήξτε αμέσως το βύσμα δικτύου από την πρίζα όταν αντιλαμβάνεστε ασυνήθιστους θορύβους ή οσμές ή σε περίπτωση εμφανούς δυσλειτουργίας.

⚠ Προς αποφυγή υπερθέρμανσης και κινδύνου πυρκαγιάς:

- Μη χρησιμοποιείτε τη συσκευή σε σημεία με απευθείας ηλιακή ακτινοβολία ή δημιουργία θερμότητας συσκευών που παράγουν θερμότητα.
- Ποτέ μη γεμίζετε το εξάρτημα ανάμειξης με υγρά που βράζουν! Αφήστε πρώτα αυτά τα υγρά να φτάσουν σε θερμοκρασία σώματος. Αλλιώς μπορεί η συσκευή να υπερθερμανθεί και να ραγίσει το γυαλί από το εξάρτημα ανάμειξης!
- Μη λειτουργείτε τη συσκευή εάν είναι άδεια, δηλαδή χωρίς τα συστατικά στο εξάρτημα ανάμειξης.

⚠ Προσ αποφυγή κινδύνου ατυχημάτων και τραυματισμού:

- Ποτέ μην πιάνετε στο εξάρτημα ανάμειξης, κυρίως όχι εν λειτουργία. Οι λεπίδες είναι εξαιρετικά αιχμηρές!
- Μην ανοίγετε το κάλυμμα όταν η συσκευή είναι εν λειτουργία. Αλλιώς μπορεί να πεταχτούν προς τα έξω τμήματα τροφίμων με υψηλή ταχύτητα!
- Ποτέ μην εισάγετε μέσα στο εξάρτημα ανάμειξης τμήματα από μαχαιροπίρουνα ή εξαρτήματα ανάμειξης, όσο η συσκευή είναι σε λειτουργία. Υπάρχει αυξημένος κίνδυνος τραυματισμού όταν αυτά αγγίζουν τη λεπίδα που γυρνάει πολύ γρήγορα!
- Όταν η συσκευή λειτουργεί μην την αφήνετε ανεπιτήρητη, ώστε να μπορείτε να αντιδράσετε αμέσως σε περίπτωση κινδύνου.
- Τα παιδιά πρέπει να επιτηρούνται ώστε να εξασφαλίζεται ότι δεν παίζουν με τη συσκευή.
- Μη χρησιμοποιείτε τη συσκευή για άλλους σκοπούς από τους περιγραφόμενους στις παρούσες οδηγίες.
- Η συσκευή πρέπει να αποσυνδέεται πάντα από το δίκτυο όταν δεν επιτηρείται και πριν από τη συναρμολόγηση, την αποσυναρμολόγηση ή τον καθαρισμό.
- Η συσκευή δεν επιτρέπεται να χρησιμοποιείται από παιδιά.
- Η συσκευή και το καλώδιο σύνδεσής της πρέπει να φυλάσσονται μακριά από παιδιά.
- Μπορεί να γίνεται χρήση αυτής της συσκευής από άτομα με μειωμένες φυσικές, αισθητηριακές ή νοητικές ικανότητες ή με έλλειψη εμπειρίας και/ή γνώσεων, εφόσον επιτηρούνται ή έχουν εκπαιδευτεί αναφορικά με την ασφαλή χρήση της συσκευής και έχουν κατανοήσει τους επακόλουθους κινδύνους.
- Τα παιδιά δεν επιτρέπεται να παίζουν με τη συσκευή.
- Να είστε προσεκτικοί κατά το χειρισμό της συσκευής. Οι λεπίδες είναι πολύ αιχμηρές!
- Να είστε προσεκτικοί κατά το άδειασμα του προσαρτήματος ανάμειξης! Οι λεπίδες είναι πολύ αιχμηρές!
- Να είστε προσεκτικοί κατά τον καθαρισμό της συσκευής! Οι λεπίδες είναι πολύ αιχμηρές!
- Απενεργοποιήστε τη συσκευή και αποσυνδέστε το βύσμα, προτού αλλάξετε εξαρτήματα ή πιάσετε μέρη που κινούνται κατά τη διάρκεια λειτουργίας.
- Χρησιμοποιείτε το εξάρτημα ανάμειξης μόνο με την απεσταλμένη μονάδα μοτέρ!
- Εξασφαλίζετε ότι το μπλέντερ είναι πάντα απενεργοποιημένο προτού σηκώσετε το εξάρτημα ανάμειξης από τη μονάδα μοτέρ!

Αποσυσκευασία

- Απομακρύνετε όλα τα μέρη συσκευασίας ή τις μεμβράνες προστασίας από τη συσκευή. Φυλάτε τη συσκευασία για να αποθηκεύσετε τη συσκευή προστατευμένη ή για να μπορείτε να την αποστείλετε π.χ. σε περίπτωση επίσκεψης.
- Προτού χρησιμοποιήσετε τη συσκευή βεβαιωθείτε ότι η συσκευή όπως επίσης και το καλώδιο δικτύου με το φιλ και όλα τα αξεσουάρ και μέρη της συσκευής δεν έχουν φθαρεί.
- Καθαρίζετε με προσοχή όλα τα μέρη της συσκευής πριν από την πρώτη χρήση του επιτραπέζιου μίξερ (βλέπε «Καθαρισμός»).

Τοποθέτηση

Όταν έχετε καθαρίσει όλα τα εξαρτήματα, όπως περιγράφηκε στον “Καθαρισμό”:

- ⇒ Τοποθετήστε τη συσκευή έτσι, ...
- ώστε το καλώδιο δικτύου **6** να μπορεί να οδηγηθεί μέσω της εσοχής στην πίσω πλευρά,
 - ώστε το βύσμα δικτύου να είναι άμεσα προσβάσιμο ώστε να μπορείτε να το τραβήξετε από την πρίζα σε περίπτωση κινδύνου,
 - ώστε να εδράζεται σταθερά χωρίς να γλιστρά και να ακουμπάνε καλά οι βεντούζες ώστε να μην αναποδογυρίσει η συσκευή σε περίπτωση κραδασμών,
 - ώστε το καλώδιο να **6** μην κρέμεται στο πεδίο εργασίας και να μην μπορεί να πέσει σε περίπτωση κατά λάθος τραβήγματος.

Χειρισμός

⚠ Προειδοποίηση!

Το μοτέρ απενεργοποιείται μόλις απομακρυνθεί το εξάρτημα ανάμειξης **3** από το σώμα μοτέρ **7**. Τότε ίσως παραβλέπεται το γεγονός ότι το μηχανήμα είναι ακόμα ενεργοποιημένο. Στη συνέχεια το μοτέρ εκκινείται ξαφνικά, μόλις το εξάρτημα ανάμειξης **3** μονταριστεί:

Για το λόγο αυτό:

- Εισάγετε το βύσμα στη πρίζα μόνο μόλις το εξάρτημα ανάμειξης **3** είναι γεμάτο εντελώς και έχει μονταριστεί με ασφάλεια.
- Βεβαιώνετε πριν από το μοντάρισμα πάντα ότι η συσκευή είναι απενεργοποιημένη ή ότι έχει τραβηχτεί το βύσμα.
- Πρώτα απενεργοποιήστε τη, τραβήξτε το βύσμα και περιμένετε για την ακινητοποίηση του μοτέρ πριν απομακρύνετε το εξάρτημα ανάμειξης **3**.

Τροφοδοσία εξαρτήματος ανάμειξης και μοντάρισμα

- ⇒ Αφαιρέστε το εξάρτημα ανάμειξης **3** από τη μονάδα μοτέρ **7** και απομακρύνετε το καπάκι **2**.
- ⇒ Γεμίστε το εξάρτημα ανάμειξης **3** και πιέστε στη συνέχεια το καπάκι **2** πάλι σφιχτά στο εξάρτημα ανάμειξης **3**. Προσέξτε ώστε η προεξοχή έγχυσης να είναι ασφαλισμένη στο εξάρτημα ανάμειξης **3**.
- ⇒ Εισάγετε το καπάκι **1** πλήρωσης στο άνοιγμα καπακιού και κλείστε περοστρέφοντας το δεξιόστροφα.
- ⇒ Τοποθετήστε το έτοιμο γεμισμένο και ασφαλισμένο εξάρτημα ανάμειξης **3** στο σώμα του μοτέρ **7**. Περιστρέψτε το εξάρτημα ανάμειξης **3** λίγο έως ότου μπορείτε να το πιέσετε προς τα κάτω. Μόνο όταν το εξάρτημα ανάμειξης **3** έχει τοποθετηθεί σωστά και πλήρως, μπορεί να εκκινήσει το μοτέρ.

Επιλογή βαθμίδας ταχύτητας

Όταν το εξάρτημα ανάμειξης **3** έχει γεμίσει εντελώς και στέκεται εντελώς ασφαλισμένο στο σώμα μοτέρ **7**, μπορείτε να ενεργοποιήσετε τη συσκευή.

⇒ Θέστε το διακόπτη **5** στη ...

- βαθμίδα 1-3

για υγρά ή μεσαίως σκληρότητας τρόφιμα, για ανάμειξη, δημιουργία πολτών και ανακάτεμα

- βαθμίδα 3-5

για πιο σκληρά τρόφιμα ή για κομματάσσια

- βαθμίδα Ice Crush/Clean (Θρυμματισμός πάγου/Καθαρισμός)

για σύντομη, δυνατή παλμική λειτουργία, π. χ.

για θρυμματισμό κύβων πάγου ή για καθαρισμό.

Ο διακόπτης **5** κουμπώνει σε αυτή τη θέση, ώστε

να μην υπερφορτωθεί το μοτέρ. Για αυτό

κρατήστε το διακόπτη **5** μόνο για λίγο, σε αυτή τη θέση.

i Υπόδειξη

Γεμίστε το εξάρτημα ανάμειξης **3** με το μέγιστο 180 γρ. παγάκια. Αλλιώς η συσκευή δεν κομματιάζει τα παγάκια με τον καλύτερο τρόπο.

Γέμισμα κατά τη λειτουργία

⚠ Προειδοποίηση!

Όταν θέλετε να γεμίσετε κατά τη διάρκεια της λειτουργίας, επιτρέπεται να ανοίξετε αποκλειστικά μόνο το για αυτή την εργασία, προβλεπόμενο καπάκι **1** πλήρωσης.

- Σε καμία περίπτωση μην ανοίξετε το καπάκι **2**. Μπορεί να πεταχτούν προς τα έξω τμήματα τροφίμων με υψηλή ταχύτητα!
- Ποτέ μην εισάγετε μέσα στο εξάρτημα ανάμειξης **3** τμήματα από μαχαιροπίρουνα ή εξαρτήματα ανάμειξης, όσο η συσκευή είναι σε λειτουργία. Υπάρχει αυξημένος κίνδυνος τραυματισμού όταν αυτά αγγίζουν τη λεπίδα **4** που γυρνάει πολύ γρήγορα!

Για να μπορείτε να γεμίσετε κάτι εν λειτουργία, ...

⇒ περιστρέψτε το καπάκι **1** πλήρωσης αριστερόστροφα και βγάλτε το έξω.

⇒ Συμπληρώστε τα συστατικά.

⇒ Στη συνέχεια εισάγετε το καπάκι **1** πλήρωσης πάλι στο άνοιγμα καπακιού και κλείστε περιστρέφοντας το δεξιόστροφα.

Απομάκρυνση εξαρτήματος ανάμειξης

Όταν η επεξεργασία των τροφίμων έχει ολοκληρωθεί:

⇒ Θέτετε πάντα πρώτα το διακόπτη **5** στη θέση Off („OFF“) και τραβάτε το βύσμα.

⇒ Περιμένετε πρώτα έως ότου ακινητοποιηθεί το μοτέρ, πριν σηκώσετε ίσια επάνω το εξάρτημα ανάμειξης **3**. Το δοχείο ανάμειξης **3** δεν χρειάζεται να περιστραφεί για αυτό.

Χρήσιμες υποδείξεις

- Κατά την πολτοποίηση σφιχτών υλικών για να έχετε καλύτερα αποτελέσματα, βάζετε συνεχώς μόνο μικρές μερίδες στο εξάρτημα ανάμειξης **3** αντί για μεγάλη ποσότητα μια μόνο φορά.
- Όταν επεξεργάζεστε σφιχτά υλικά, κόψτε τα σε μικρά τεμάχια (2-3 εκ.).
- Κατά την ανάμειξη υγρών συστατικών ξεκινήστε πρώτα με μια ελάχιστη ποσότητα υγρού. Στη συνέχεια βάζετε λίγο-λίγο περισσότερο υγρό από το άνοιγμα του καπακιού.
- Όταν κατά τη λειτουργία θέτετε το χέρι σας πάνω από το κλειστό μπλέντερ, μπορείτε να σταθεροποιείτε καλά τη συσκευή.
- Για το ανακάτεμα σκληρών ή πολύ πηχτών τροφίμων ίσως είναι χρήσιμο να χρησιμοποιείτε την παλμική λειτουργία ώστε να εμποδίσετε ένα κόλλημα της λεπίδας κοπής **4**.

i Υπόδειξη

Μη χρησιμοποιείτε τη συσκευή για μειώσετε την κόκκωση αλατιού μαγειρικής, ραφινάρισμένης ζάχαρης ή άσπρης ζάχαρης. Για να δημιουργήσετε π.χ. ζάχαρη άχνη.

Συνταγές

Μιλκ-σέϊκ μπανάνα

2 μπανάνες

περ. 2 ΚΣ (κουταλιά σούπας) ζάχαρη (ανάλογα με το βαθμό ωρίμανσης των μπανανών και την προσωπική γεύση)

1/2 λίτρο γάλα

1 πρέζα χυμό λεμόνι

Καθαρίστε τις μπανάνες και πολτοποιήστε τις στη βαθμίδα 2. Προσθέτετε λίγο - λίγο το γάλα, στη συνέχεια τη ζάχαρη και το χυμό λεμόνι. Αναμείξτε τα όλα τόσο έως ότου δημιουργηθεί ένα ομοιόμορφο υγρό.

Σερβίρετε το μιλκ-σέϊκ παγωμένο.

Μιλκ-σέϊκ βανίλια

1/4 λίτρο γάλα

250 γρ. παγωτό βανίλια

125 ml παγάκια

1 1/2 κγ (κουταλιά γλυκού) ζάχαρη

Θρυμματίστε τα παγάκια στη βαθμίδα Ice Crush/Clean. Γεμίστε με τα υπόλοιπα υλικά το μίξερ.

Ανακατεύετε τα πάντα στη βαθμίδα 2, έως ότου προκύψει ένα ομοιόμορφο υγρό.

Μιλκ-σέϊκ καπουτσίνο

65 ml κρύο εσπρέσσο (ή πολύ δυνατό καφέ)

65 ml γάλα

15 γρ. ζάχαρη

65 ml παγωτό βανίλια

100 ml θρυμματισμένα παγάκια

Θρυμματίστε τα παγάκια στη βαθμίδα Ice Crush/Clean. Προσθέτετε τον εσπρέσσο, το γάλα και τη ζάχαρη. Αναμείξτε τα όλα στη βαθμίδα 2, έως ότου διαλυθεί η ζάχαρη. Προσθέστε τέλος το παγωτό βανίλια και αναμείξτε τα όλα για λίγο στη βαθμίδα 1.

Τροπικό μίγμα

125 ml χυμός ανανά

60 ml χυμός παπάγια

50 ml χυμός πορτοκάλι

1/2 μικρή κονσέρβα ροδάκινα με χυμό

125 ml παγάκια

Θρυμματίστε τα παγάκια στη βαθμίδα Ice Crush/Clean.

Βάλτε όλα τα υλικά στο μίξερ και αναμείξτε τα όλα στη βαθμίδα 3.

Μιλκ-σέϊκ καρύδια - νουγκά

1/2 λίτρο γάλα

200 γρ. Κρέμα καρύδια - νουγκά

1 μπάλα παγωτό βανίλια

50 ml κρέμα

Αναμείξτε όλα τα υλικά στο μίξερ στη βαθμίδα 3, έως ότου δημιουργηθεί μια ομοιόμορφη ποσότητα.

Μιλκ-σέϊκ καρότο

300 ml χυμό μύλου

500 ml χυμό καρότων

4 ΚΣ λάδι (λάδι φύτρων σίτου ή κραμβέλαιο)

4 ΚΣ χυμού λεμονιού

Σκόνη πιπερόριζας

πιπέρι

Βάλτε το χυμό μύλου, το λάδι και το χυμό λεμονιού στο μίξερ και αναμείξτε τα όλα στη βαθμίδα 2. Στη συνέχεια προσθέστε το χυμό καρότου και αναμείξτε τα όλα στη βαθμίδα 2. Στη συνέχεια προσθέστε σύμφωνα με την προτίμηση σας σκόνη πιπερόριζας και πιπέρι.

Μιλκ-σέϊκ φραγκοστάφυλο

2 κγ μέλι

2 μπανάνες

1/4 λίτρου βουτυρόγαλα

1/4 λίτρου χυμό φραγκοστάφυλου (μαύρα)

Βάλτε όλα τα υλικά στο μίξερ και αναμείξτε τα όλα στη βαθμίδα 3.

Μιλκ-σείκ Χαβάη

4 μπανάνες
1/4 λίτρου χυμό ανανά
1/2 λίτρου γάλα
2 κουταλιές σούπας μέλι
1/4 λίτρου ρούμι

Καθαρίστε τις μπανάνες και πολτοποιήστε τις στη βαθμίδα 2. Προσθέστε τα υπόλοιπα υλικά και ανακατέψτε τα όλα στη βαθμίδα 1.

Φρουτώδες μίγμα ανανά - φράουλας

250 ml χυμός ανανά
200 γρ. φράουλες
300 ml χυμό μύλου
4 παγάκια

Θρυμματίστε τα παγάκια στη βαθμίδα Ice Crush/Clean. Πλύντε τις φράουλες και απομακρύνετε τα πράσινα φύλλα.

Πολτοποιήστε τις στη βαθμίδα 2. Στη συνέχεια προσθέστε τα υπόλοιπα υλικά και αναμειξτε στη βαθμίδα 1.

Κρύα σούπα της Ανδαλουσίας (Γκασπάτσο)

1/2 Αγγούρι
1 μεγάλη τομάτα
1 πράσινη πιπεριά
1/2 κρεμμύδι
1 σκελίδα σκόρδο
1/2 λευκό ψωμάκι
1/2 κγ αλάτι
1 κγ ξίδι από κόκκινο κρασί
1 ΚΣ ελαιόλαδο

Κόψτε τα λαχανικά σε κομμάτια μεγέθους περ. 2 εκ. Βάλτε πρώτα τις τομάτες και στη συνέχεια τα αγγούρια στο μίξερ. Πολτοποιήστε στη βαθμίδα 3. Προσθέστε τα υπόλοιπα υλικά και πολτοποιήστε/αναμειξτε τα όλα στη βαθμίδα 3, έως ότου δημιουργηθεί μια ομοιόμορφη σούπα. Σερβίρετε την με ψωμί.

❗ Υπόδειξη

Συνταγές χωρίς εγγύηση. Όλα τα υλικά και τα στοιχεία ετοιμασίας είναι τιμές βάσης. Διορθώστε αυτές τις προτάσεις συνταγών σύμφωνα με τις ατομικές σας εμπειρίες.

❗ Υπόδειξη

Σε περίπτωση δυσανεξίας στη λακτόζη σας προτείνουμε να χρησιμοποιείτε γάλα χωρίς λακτόζη. Λάβετε όμως υπόψη ότι το γάλα χωρίς λακτόζη είναι λίγο πιο γλυκό.

Καθαρισμός

⚠ Προσοχή!

Πριν καθαρίσετε το μπλέντερ και τα εξαρτήματά του:

- Εξασφαλίστε ότι η συσκευή είναι απενεργοποιημένη και ότι το βύσμα έχει τραβηχτεί.



Σε καμία περίπτωση δεν επιτρέπεται το σώμα του μοτέρ να βυθιστεί σε νερό ή άλλα υγρά. Έτσι μπορεί να προκληθεί κίνδυνος θανάτου μέσω ηλεκτροπληξίας και να πάθει βλάβη η συσκευή.

- Μην ανοίγετε ποτέ το περίβλημα της συσκευής. Αλλιώς ίσως προκληθεί κίνδυνος θανάτου μέσω ηλεκτροπληξίας.
- Ποτέ μην αποσυναρμολογείτε τη λεπίδα 4 και επίσης ποτέ μην πιάνετε στο εξάρτημα ανάμειξης 3. Οι λεπίδες είναι 4 εξαιρετικά αιχμηρές!
- Μη χρησιμοποιείτε διαλυτικά ή τριβικά μέσα για τις πλαστικές επιφάνειες, αλλιώς αυτές μπορεί να χαλάσουν.

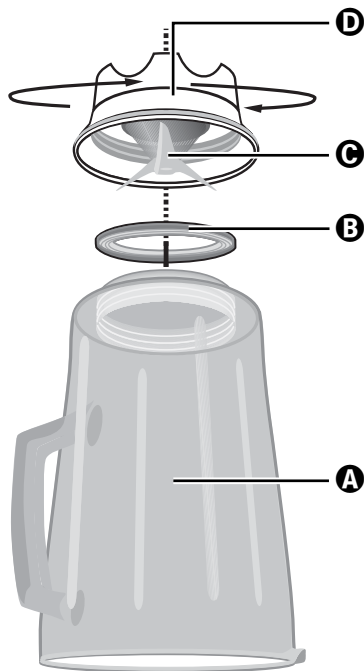
Καθαρισμός εξαρτήματος ανάμειξης

- ⇒ Καθαρίζετε το εξάρτημα ανάμειξης **3** μόνο με μια βούρτσα καθαρισμού με μεγάλη λαβή, έτσι ώστε να μην τραυματίσετε στις λεπίδες **4**.
- ⇒ Σε σκληρές ακαθαρσίες μπορείτε επίσης να καθαρίσετε το εξάρτημα ανάμειξης **3** και στο πλυντήριο πιάτων. Γι' αυτό αποσυναρμολογείτε πάντα το εξάρτημα ανάμειξης, **3** όπως περιγράφεται παρακάτω.
- ⇒ Καθαρίζετε το καπάκι και το καπάκι **2** πλήρωσης στο πλυντήριο πιάτων ή όπως πλένετε φυσιολογικά τα πιάτα **1**.

Όταν καθαρίζετε το μπλέντερ αμέσως μετά τη χρήση, επιτυγχάνετε στις περισσότερες περιπτώσεις έναν επαρκή υγιεινό καθαρισμό μέσω της ακόλουθης εναλλακτικής:

- ⇒ Γεμίστε το εξάρτημα ανάμειξης **3** με 750 ml νερό και προσθέστε μερικές σταγόνες ενός ήπιου καθαριστικού μέσου. Κλείστε το καπάκι **2** και τοποθετήστε το εξάρτημα ανάμειξης **3** στο μπλοκ κινητήρα **7**. Εισάγετε το βύσμα στην πρίζα και πιέστε μερικές φορές το κουμπί λειτουργίας Ice Crush/Clean (Θρυμματισμός πάγου/ Καθαρισμός), έτσι ώστε η λεπίδα κοπής **4** να περνάει με το μέγιστο αριθμό στροφών μέσα από το νερό. Στη συνέχεια ξεπλύνετε το εξάρτημα ανάμειξης **3** με πολύ καθαρό νερό, έτσι ώστε να απομακρυνθούν όλα τα υπολείμματα καθαριστικού μέσου.

Εάν η βρομιά δε διαλύεται, μπορείτε να λασκάρετε το κάτω πλαστικό τμήμα του εξαρτήματος ανάμειξης **3** με τις λεπίδες **4** από το γυάλινο τμήμα **3**:



- A** Γυάλινο τμήμα
- B** Δακτύλιος στεγανοποίησης
- C** Μαχαίρι
- D** Πλαστικό τμήμα

- ⇒ Παίρνετε το εξάρτημα ανάμειξης **3** από το σώμα μοτέρ **7**.
- ⇒ Περιστρέψτε το πλαστικό τμήμα **D** του εξαρτήματος ανάμειξης **3** αριστερόστροφα, έτσι ώστε να μπορεί να λασκάρει από το γυάλινο τμήμα **A** του εξαρτήματος ανάμειξης **3**.

Προσοχή!

Να είστε προσεκτικοί με τις λεπίδες **C**. Είναι πολύ αιχμηρές. Κίνδυνος τραυματισμού!

- ⇒ Καθαρίζετε και τα δύο τμήματα λεπτομερώς σε ήπιο διάλυμα νερού με σαπούνι ή στο πλυντήριο πιάτων.
- ⇒ Τοποθετήστε πάλι το πλαστικό τμήμα **D** του εξαρτήματος ανάμειξης **3** επάνω στο γυάλινο τμήμα **A** του εξαρτήματος ανάμειξης **3**. Προσέχετε ώστε ο δακτύλιος στεγανοποίησης **B** να έχει τοποθετηθεί.

Καθαρισμός μονάδας μοτέρ

- ⇒ Χρησιμοποιείτε ένα στεγνό ή το πολύ ελαφρά νωπό πανί, για να καθαρίζετε τις πλαστικές επιφάνειες.
- ⇒ Ελέγχετε σε κάθε καθαρισμό ότι ο διακόπτης επαφής στην υποδοχή για το εξάρτημα ανάμειξης **3** δεν είναι μπλοκαρισμένος μέσω υπολειμμάτων από βρομιές. Όταν δεν μπορείτε να διαλύσετε ενδεχόμενα μπλοκαρίσματα με τη γωνία ενός φύλλου χαρτιού, απευθυνθείτε στο τμήμα εξυπηρέτησης πελατών. Σε καμία περίπτωση μη χρησιμοποιείτε σκληρό αντικείμενο διότι ο διακόπτης επαφής θα μπορούσε έτσι να χαλάσει.
- ⇒ Απομακρύνετε ενδεχόμενες ακαθαρσίες στην κάτω πλευρά της μονάδας μοτέρ **7** αποκλειστικά με ένα στεγνό πανί ή με ένα πινέλο απομάκρυνσης σκόνης. Προσέχετε ώστε τίποτα να μην φτάνει μέσα από τα ανοίγματα αερισμού στη συσκευή.

Μετά τον καθαρισμό

Αφήνετε όλα τα εξαρτήματα να στεγνώνουν πάλι καλά, πριν συναρμολογήσετε και χρησιμοποιήσετε το μπλέντερ.

Φύλαξη

- ⇒ Όταν δε χρησιμοποιείτε το μπλέντερ για μεγάλο χρονικό διάστημα, καθαρίζετε το λεπτομερώς (βλέπε Κεφάλαιο “Καθαρισμός”).
- ⇒ Τυλίξτε το καλώδιο δικτύου **6** γύρω από τη διάταξη τυλίξης καλωδίου **8** στο δάπεδο της μονάδας μοτέρ **7**.
- ⇒ Φυλάτε το μπλέντερ σε ένα ψυχρό, στεγνό χώρο.

Απομάκρυνση



Σε καμία περίπτωση μην πετάζετε τη συσκευή στα οικιακά απορρίμματα. Αυτό το προϊόν υπόκειται στην Ευρωπαϊκή Οδηγία 2012/19/EU.

Απομακρύνετε τη συσκευή μέσω μιας εγκεκριμένης επιχείρησης απόρριψης ή μέσω της κοινοτικής επιχείρησης απόρριψης. Προσέχετε τις τρέχουσες ισχύουσες προδιαγραφές. Σε περίπτωση αμφιβολιών ελάτε σε επαφή με την επιχείρηση απόρριψης.



Απομακρύνετε όλα τα υλικά συσκευασίας με έναν φιλικό προς το περιβάλλον τρόπο.

Εγγύηση & Σέρβις

Έχετε για αυτή τη συσκευή 3 χρόνια εγγύηση από την ημερομηνία αγοράς. Η συσκευή κατασκευάστηκε και ελέγχθηκε προσεκτικά πριν από την αποστολή.

Παρακαλούμε φυλάξτε την απόδειξη ταμείου ως απόδειξη για την αγορά. Παρακαλούμε επικοινωνήστε τηλεφωνικά με την υπηρεσία σέρβις σε περίπτωση εγγύησης. Μόνο έτσι μπορεί να εξασφαλιστεί μια δωρεάν αποστολή του εμπορεύματός σας.

Η απόδοση εγγύησης ισχύει μόνο για σφάλματα υλικού ή κατασκευής, όχι όμως για ζημιές από τη μεταφορά, για εξαρτήματα φθοράς ή για βλάβες σε εύθραυστα εξαρτήματα, π.χ. διακόπτες ή συσσωρευτές. Το προϊόν προορίζεται μόνο για την ιδιωτική και όχι για την επαγγελματική χρήση.

Σε περίπτωση κακής μεταχείρισης και ακατάλληλης χρήσης, σε χρήση βίας και σε παρεμβάσεις οι οποίες δεν διεξήχθησαν από το εξουσιοδοτημένο μας τμήμα σέρβις, η εγγύηση παύει να ισχύει. Τα νομικά σας δικαιώματα δεν περιορίζονται μέσω αυτής της εγγύησης.

Ο χρόνος εγγύησης δεν επεκτείνεται μέσω της απόδοσης εγγύησης. Αυτό ισχύει και για εξαρτήματα τα οποία έχουν αντικατασταθεί ή επισκευαστεί. Ενδεχόμενες ήδη υπάρχουσες κατά την αγορά, ζημιές και ελλείψεις πρέπει να αναφέρονται αμέσως μετά την αποσυσκευασία, το αργότερο όμως δύο ημέρες μετά την ημερομηνία αγοράς. Επισκευές που εμφανίζονται μετά τη λήξη του χρόνου εγγύησης χρεώνονται.

 Σέρβις Ελλάδα

Tel.: 801 5000 019 (0,03 EUR/Min.)

E-Mail: kompennass@lidl.gr

IAN 100484

Τηλεφωνικό κέντρο (Hotline):

Δευτέρα έως Παρασκευή, 8:00 – 20:00 (CET)

Εισαγωγέας

KOMPENASS HANDELS GMBH

BURGSTRASSE 21

44867 BOCHUM

GERMANY

www.kompennass.com

Inhaltsverzeichnis	Seite
Einleitung	62
Bestimmungsgemäßer Gebrauch	62
Lieferumfang	62
Gerätebeschreibung	62
Technische Daten	62
Sicherheitshinweise	63
Auspacken	65
Aufstellen	65
Bedienen	65
Mixaufsatz befüllen und montieren.....	65
Geschwindigkeitsstufe wählen.....	65
Einfüllen im Betrieb.....	66
Mixaufsatz abnehmen.....	66
Nützliche Hinweise	66
Rezepte	67
Bananen-Shake.....	67
Vanille-Shake.....	67
Cappuccino-Shake.....	67
Tropical-Mix.....	67
Nuss-Nougat-Shake.....	67
Möhren-Shake.....	67
Johannisbeer-Mix.....	67
Hawaii-Shake.....	68
Fruchtiger Ananas-Erdbeer-Mix.....	68
Andalusische kalte Suppe (Gazpacho).....	68
Reinigen	68
Mixaufsatz reinigen.....	69
Motorblock reinigen.....	70
Nach dem Reinigen.....	70
Aufbewahren	70
Entsorgen	70
Garantie und Service	70
Importeur	71

Standmixer

Einleitung

Herzlichen Glückwunsch zum Kauf Ihres neuen Gerätes.

Sie haben sich damit für ein hochwertiges Produkt entschieden. Die Bedienungsanleitung ist Bestandteil dieses Produkts. Sie enthält wichtige Hinweise für Sicherheit, Gebrauch und Entsorgung. Machen Sie sich vor der Benutzung des Produkts mit allen Bedien- und Sicherheitshinweisen vertraut. Benutzen Sie das Produkt nur wie beschrieben und für die angegebenen Einsatzbereiche. Händigen Sie alle Unterlagen bei Weitergabe des Produkts an Dritte mit aus.

Bestimmungsgemäßer Gebrauch

Dieses Gerät ist ausschließlich bestimmt für ...

- das Mischen, Pürieren und Rühren von Lebensmitteln sowie Zerkleinern von Eiswürfeln (sog. "Crushen"),
- haushaltsübliche Mengen und nur in privaten Haushalten in trockenen Räumen.

Dieses Gerät ist nicht bestimmt für ...

- das Zerkleinern von harten Lebensmittelanteilen wie z.B. Nüsse, Kerne, große Körner oder Stiele,
- das Verarbeiten von Materialien, die nicht Lebensmittel sind,
- den Einsatz für gewerbliche oder industrielle Zwecke,
- die Verwendung in feuchter Umgebung oder im Freien,
- das Verarbeiten von heißen/kochenden Flüssigkeiten.

Verwenden Sie nur Zubehör- und Ersatzteile, die für dieses Gerät bestimmt sind. Andere Teile sind möglicherweise nicht ausreichend geeignet oder sicher!

Lieferumfang


Kontrollieren Sie nach dem Auspacken die Lieferung auf Vollständigkeit. Im Lieferumfang enthalten ist:

- 1 x Motorblock, mit Netzkabel und Netzstecker
- 1 x Mixaufsatz, mit fest montiertem Schneidmesser
- 1 x Deckel
- 1 x Dosierkappe
- 1 x Bedienungsanleitung

Gerätebeschreibung

- 1 Dosierkappe
- 2 Deckel
- 3 Mixaufsatz
- 4 Schneidmesser
- 5 Schalter
- 6 Netzkabel
- 7 Motorblock
- 8 Kabelaufwicklung
- 9 Skala

Technische Daten

Nennspannung:	220 - 240 V~, 50 Hz
Nennleistung:	550 Watt
Max. Einfüllmenge:	1,75 l
Schutzklasse:	II 
KB-Zeit:	3 Minuten

Die KB-Zeit (Kurzbetriebszeit) gibt an, wie lange man ein Gerät betreiben kann, ohne dass der Motor überhitzt und Schaden nimmt. Nach der angegebenen KB-Zeit muss das Gerät solange ausgeschaltet werden, bis sich der Motor auf Raumtemperatur abgekühlt hat.

Sicherheitshinweise

⚠ Um Lebensgefahr durch elektrischen Schlag zu vermeiden:

- Stellen Sie sicher, dass der Motorblock, das Netzkabel oder der Netzstecker niemals in Wasser oder andere Flüssigkeiten getaucht wird.
- Verwenden Sie das Gerät ausschließlich in trockenen Räumen, niemals im Freien oder in feuchter Umgebung.
- Achten Sie darauf, dass im Betrieb das Netzkabel niemals nass oder feucht wird. Führen Sie es so, dass es nicht eingeklemmt oder anderweitig beschädigt werden kann.
- Lassen Sie beschädigte Netzstecker oder Netzkabel sofort von autorisiertem Fachpersonal oder dem Kundenservice austauschen, um Gefährdungen zu vermeiden.
- Ziehen Sie nach Gebrauch immer den Stecker aus der Steckdose. Ausschalten alleine genügt nicht, weil noch immer Netzspannung im Gerät anliegt, solange der Netzstecker in der Steckdose steckt.
- Kontrollieren Sie vor jedem Gebrauch das Gerät auf seinen einwandfreien Zustand. Das Gerät darf nicht verwendet werden, wenn Schäden erkennbar sind, insbesondere an dem Motorblock oder gläsernen Mixaufsatz.
- Ziehen Sie sofort den Netzstecker aus der Steckdose, wenn Sie eine ungewöhnliche Geräusch- oder Geruchsentwicklung wahrnehmen oder bei erkennbarer Fehlfunktion.

⚠ Um Überhitzung und Brandgefahr zu vermeiden:

- Verwenden Sie das Gerät nicht im Bereich direkter Sonneneinstrahlung oder Wärmeeinwirkung hitzezeugender Geräte.
- Füllen Sie niemals kochende Flüssigkeiten oder sehr heiße Lebensmittel in den Mixaufsatz! Lassen Sie diese erst auf handwarme Temperatur abkühlen. Andernfalls kann das Gerät überhitzen und auch das Glas des Mixaufsatzes springen!
- Betreiben Sie das Gerät niemals im Leerzustand, d.h. ohne Zutaten im Mixaufsatz.

⚠ Um Unfall- und Verletzungsgefahr zu vermeiden:

- Greifen Sie niemals in den Mixaufsatz, insbesondere nicht im Betrieb.
Die Messer sind extrem scharf!
- Öffnen Sie nicht den Deckel, wenn das Gerät in Betrieb ist. Andernfalls können Lebensmittelteile mit hoher Geschwindigkeit herausfliegen!
- Führen Sie niemals Besteckteile oder Rührgegenstände in den Mixaufsatz, solange das Gerät in Betrieb ist. Es besteht erhebliche Verletzungsgefahr, wenn diese das sich sehr schnell drehende Messer berühren!
- Lassen Sie das Gerät nicht unbeaufsichtigt arbeiten, um bei Gefahr sofort reagieren zu können.
- Kinder sollten beaufsichtigt werden, um sicherzustellen, dass sie nicht mit dem Gerät spielen.
- Missbrauchen Sie das Gerät nicht für andere Zwecke, als in dieser Anleitung beschrieben.
- Das Gerät ist bei nicht vorhandener Aufsicht und vor dem Zusammenbau, dem Auseinandernehmen oder Reinigen stets vom Netz zu trennen.
- Das Gerät darf nicht von Kindern benutzt werden.
- Das Gerät und seine Anschlussleitung sind von Kindern fernzuhalten.
- Dieses Gerät kann von Personen mit reduzierten physischen, sensorischen oder mentalen Fähigkeiten oder Mangel an Erfahrung und/oder Wissen benutzt werden, wenn sie beaufsichtigt oder bezüglich des sicheren Gebrauchs des Gerätes unterwiesen wurden und die daraus resultierenden Gefahren verstanden haben.
- Kinder dürfen nicht mit dem Gerät spielen.
- Seien Sie vorsichtig beim Umgang mit dem Gerät. Die Messer sind sehr scharf!
- Gehen Sie vorsichtig beim Leeren des Mixaufsatzes vor! Die Messer sind sehr scharf!
- Gehen Sie vorsichtig beim Reinigen des Gerätes vor! Die Messer sind sehr scharf!
- Schalten Sie das Gerät aus und ziehen Sie den Netzstecker, bevor Sie Zubehör wechseln oder Teile anfassen, die sich während des Betriebs bewegen.
- Verwenden Sie den Mixaufsatz nur mit dem mitgelieferten Motorblock!
- Stellen Sie sicher, dass der Mixer immer ausgeschaltet ist, bevor Sie ihn vom Motorblock heben!

Auspacken

- Entfernen Sie alle Verpackungsteile oder Schutzfolien vom Gerät. Bewahren Sie die Verpackung auf, um das Gerät geschützt lagern oder einsenden zu können, z.B. im Reparaturfall.
- Bevor Sie das Gerät verwenden, überzeugen Sie sich davon, dass das Gerät unbeschädigt ist, ebenso das Netzkabel mit Netzstecker und alle Zubehör- und Geräteteile.
- Reinigen Sie sorgfältig alle Bestandteile vor dem ersten Gebrauch des Standmixers (siehe "Reinigen").

Aufstellen

Wenn Sie alle Teile gereinigt haben, wie unter "Reinigen" beschrieben:

- ⇨ Stellen Sie das Gerät so auf, ...
- dass das Netzkabel **6** durch die Aussparung an der Rückseite geführt wird,
 - dass der Netzstecker sofort erreichbar ist, um diesen bei Gefahr aus der Steckdose ziehen zu können,
 - dass es stabil und rutschfest steht, so dass die Saugnäpfe Halt finden, damit bei Vibrationen das Gerät nicht umkippt,
 - dass das Netzkabel **6** nicht in den Arbeitsbereich ragt und durch versehentliches Ziehen daran das Gerät umkippen kann.

Bedienen

Warnung!

Der Motor schaltet sich aus, sobald der Mixaufsatz **3** vom Motorblock **7** entfernt wird. Es wird dann vielleicht übersehen, dass die Maschine noch eingeschaltet ist. Der Motor startet dann unvermutet, sobald der Mixaufsatz **3** montiert wird:

Deshalb:

- Stecken Sie den Netzstecker erst dann in die Steckdose, sobald der Mixaufsatz **3** fertig befüllt und verschlossen montiert ist.
- Vergewissern Sie sich vor dem Montieren stets, dass das Gerät ausgeschaltet oder der Netzstecker gezogen ist.
- Schalten Sie erst aus, ziehen Sie den Netzstecker und warten Sie den Stillstand des Motors ab, bevor Sie den Mixaufsatz **3** abnehmen.

Mixaufsatz befüllen und montieren

- ⇨ Nehmen Sie den Mixaufsatz **3** vom Motorblock **7** und entfernen Sie den Deckel **2**.
- ⇨ Befüllen Sie den Mixaufsatz **3** und drücken Sie anschließend den Deckel **2** wieder fest auf den Mixaufsatz **3**. Achten Sie darauf, dass auch die Ausgießnase am Mixaufsatz **3** verschlossen ist.
- ⇨ Stecken Sie die Dosierkappe **1** in die Deckelöffnung und drehen Sie diese im Uhrzeigersinn zu.
- ⇨ Setzen Sie den fertig befüllten und verschlossenen Mixaufsatz **3** auf den Motorblock **7**. Drehen Sie den Mixaufsatz **3** leicht, bis Sie diesen herunter drücken können. Nur wenn der Mixaufsatz **3** bündig aufgesetzt ist, kann der Motor starten.

Geschwindigkeitsstufe wählen

Wenn der Mixaufsatz **3** fertig befüllt und vollständig verschlossen auf dem Motorblock **7** steht, können Sie das Gerät einschalten.

⇨ Stellen Sie den Schalter **5** auf ...

- **Stufe 1-3**

für flüssige oder mittelfeste Lebensmittel, zum Mischen, Pürieren und Rühren

- **Stufe 3-5**

für festere Lebensmittel oder zum Zerkleinern

- **Stufe Ice Crush/Clean**

für kurzen, kraftvollen Impulsbetrieb, z.B. zum Crushen von Eiswürfeln oder zur Reinigung. Der Schalter **5** rastet in dieser Stellung nicht ein, um den Motor nicht zu überlasten. Halten Sie den Schalter **5** deshalb nur kurz in dieser Stellung.

Mixaufsatz abnehmen

Wenn die Bearbeitung der eingefüllten Lebensmittel beendet ist:

⇨ Stellen Sie immer erst den Schalter **5** in Aus-Stellung („OFF“) und ziehen Sie den Netzstecker.

⇨ Warten Sie erst den Stillstand des Motors ab, bevor Sie den Mixaufsatz **3** gerade nach oben herausheben. Der Mixaufsatz **3** braucht dabei nicht gedreht zu werden.

Nützliche Hinweise

- Um beim Pürieren fester Zutaten beste Ergebnisse zu erzielen, geben Sie nach und nach nur kleine Portionen in den Mixaufsatz **3**, anstatt eine große Menge auf einmal einzufüllen.
- Wenn Sie feste Zutaten verarbeiten, schneiden Sie diese in kleine Stücke (2-3 cm).
- Beim Mixen flüssiger Zutaten beginnen Sie zunächst mit einer geringen Menge Flüssigkeit. Geben Sie dann nach und nach mehr Flüssigkeit durch die Deckelöffnung hinzu.
- Wenn Sie bei laufendem Betrieb Ihre Hand oben auf den verschlossenen Standmixer legen, können Sie das Gerät damit gut stabilisieren.
- Für das Rühren von festen oder sehr dickflüssigen Lebensmitteln kann es nützlich sein, die Stufe Ice Crush/Clean zu verwenden, um ein Festsetzen des Schneidmessers **4** zu verhindern.

i Hinweis

Benutzen Sie das Gerät nicht, um die Körnung von Speisesalz, Raffinadezucker oder weißem Zucker zu verringern. Zum Beispiel, um Puderzucker herzustellen.

i Hinweis

Befüllen Sie den Mixaufsatz **3** mit maximal 180 g Eiswürfeln. Ansonsten zerkleinert das Gerät die Eiswürfel nicht optimal.

Einfüllen im Betrieb

⚠ Warnung!

Wenn Sie bei laufendem Betrieb etwas einfüllen möchten, dürfen Sie ausschließlich die dafür eigens vorgesehene Dosierkappe **1** öffnen.

- Öffnen Sie keinesfalls den Deckel **2**. Es können Lebensmittelteile mit hoher Geschwindigkeit herausfliegen!
- Führen Sie niemals Besteckteile oder Rührgegenstände in den Mixaufsatz **3**, solange das Gerät in Betrieb ist. Es besteht erhebliche Verletzungsgefahr, wenn diese das sich sehr schnell drehende Schneidmesser **4** berühren!

Um bei laufendem Betrieb etwas einfüllen zu können, ...

⇨ drehen Sie die Dosierkappe **1** entgegen dem Uhrzeigersinn auf und nehmen diese heraus.

⇨ Füllen Sie die Zutaten ein.

⇨ Anschließend stecken Sie die Dosierkappe **1** wieder in die Deckelöffnung und drehen Sie diese im Uhrzeigersinn zu.

Rezepte

Bananen-Shake

- 2 Bananen
- ca. 2 Esslöffel Zucker (je nach Reifegrad der Bananen und persönlichem Geschmack)
- 1/2 Liter Milch
- 1 Spritzer Zitronensaft

Schälen Sie die Bananen und pürieren Sie sie auf Stufe 2. Geben Sie nach und nach die Milch, dann den Zucker und den Zitronensaft hinzu. Mixen Sie alles so lange, bis eine gleichmäßige Flüssigkeit entsteht.

Servieren Sie den Shake eisgekühlt.

Vanille-Shake

- 1/4 Liter Milch
- 250 g Vanilleeis
- 125 ml Eiswürfel
- 1 1/2 Teelöffel Zucker

Crushen Sie die Eiswürfel mit der Stufe Ice Crush/Clean. Füllen Sie die restlichen Zutaten in den Mixer. Mixen Sie alles so lange auf Stufe 2, bis eine gleichmäßige Flüssigkeit entsteht.

Cappucino-Shake

- 65 ml kalten Espresso (oder sehr starken Kaffee)
- 65 ml Milch
- 15 g Zucker
- 65 ml Vanille Eis
- 100 ml gecrushte Eiswürfel

Crushen Sie die Eiswürfel mit der Stufe Ice Crush/Clean. Geben Sie den Espresso, die Milch und den Zucker hinzu. Mixen Sie alles auf der Stufe 2, bis sich der Zucker aufgelöst hat. Geben Sie zum Schluss das Vanilleeis hinzu und mixen Sie alles kurz auf der Stufe 1 durch.

Tropical-Mix

- 125 ml Ananassaft
- 60 ml Papayasaft
- 50 ml Orangensaft
- 1/2 kleine Dose Pfirsiche mit Saft
- 125 ml Eiswürfel

Crushen Sie die Eiswürfel mit der Stufe Ice Crush/Clean.

Geben Sie alle Zutaten in den Mixer und mischen Sie alles auf Stufe 3 durch.

Nuss-Nougat-Shake

- 1/2 Liter Milch
- 200 g Nuss-Nougat-Creme
- 1 Kugel Vanilleeis
- 50 ml Sahne

Vermengen Sie alle Zutaten im Mixer auf Stufe 3, bis alles gleichmäßig vermischt ist.

Möhren-Shake

- 300 ml Apfelsaft
- 500 ml Möhrensaft
- 4 Esslöffel Öl (Weizenkeim- oder Rapsöl)
- 4 Esslöffel Zitronensaft
- Ingwerpulver
- Pfeffer

Geben Sie den Apfelsaft, das Öl und den Zitronensaft in den Mixer und mischen Sie alles auf Stufe 2. Geben Sie dann den Möhrensaft hinzu und mixen Sie alles auf Stufe 2 durch. Schmecken Sie dann den Shake mit Ingwerpulver und Pfeffer ab.

Johannisbeer-Mix

- 2 Teelöffel Honig
- 2 Bananen
- 1/4 Liter Buttermilch
- 1/4 Liter Johannisbeersaft (schwarz)

Geben Sie alle Zutaten in den Mixer und mixen Sie alles auf Stufe 3 durch.

Hawaii-Shake

4 Bananen
1/4 Liter Ananassaft
1/2 Liter Milch
2 EL Honig
1/4 Liter Rum

Schälen Sie die Bananen und pürieren Sie sie auf Stufe 2. Geben Sie die weiteren Zutaten hinzu und vermengen Sie alles auf Stufe 1.

Fruchtiger Ananas-Erdbeer-Mix

250 ml Ananassaft
200 g Erdbeeren
300 ml Apfelsaft
4 Eiswürfel

Crushen Sie die Eiswürfel mit der Stufe Ice Crush/Clean. Waschen Sie die Erdbeeren und entfernen Sie das Grün. Pürieren Sie sie auf Stufe 2. Geben Sie dann die restlichen Zutaten hinzu und mixen Sie alles auf Stufe 1.

Andalusische kalte Suppe (Gazpacho)

1/2 Gurke
1 Fleischtomate
1 Grüne Paprika
1/2 Zwiebel
1 Knoblauchzehe
1/2 weißes Brötchen
1/2 Teelöffel Salz
1 Teelöffel Rotweinessig
1 Esslöffel Olivenöl

Schneiden Sie das Gemüse in ca. 2 cm große Stücke. Geben Sie zuerst die Tomatenstücke und danach die Gurke in den Mixer. Pürieren Sie diese auf Stufe 3. Fügen Sie die restlichen Zutaten hinzu und pürieren/durchmengen Sie alles auf Stufe 3, bis eine gleichmäßige Suppe entsteht. Servieren Sie das ganze mit Brot.

Hinweis

Rezepte ohne Gewähr. Alle Zutaten- und Zubereitungsangaben sind Anhaltswerte. Ergänzen Sie diese Rezeptvorschläge um Ihre persönlichen Erfahrungswerte.

Hinweis

Bei Laktose-Intoleranz empfehlen wir Ihnen laktosefreie Milch zu verwenden. Bedenken Sie dabei jedoch, dass laktosefreie Milch ein wenig süßer ist.

Reinigen

Vorsicht!

Bevor Sie den Standmixer und seine Teile reinigen:

- Stellen Sie sicher, dass das Gerät ausgeschaltet und der Netzstecker gezogen ist.



Auf keinen Fall darf der Motorblock **7** in Wasser oder andere Flüssigkeiten getaucht werden. Hierdurch kann Lebensgefahr durch elektrischen Schlag entstehen und das Gerät kann beschädigt werden.

- Öffnen Sie niemals das Gehäuse des Gerätes. Andernfalls kann Lebensgefahr bestehen durch elektrischen Schlag.
- Demontieren Sie niemals das Schneidmesser **4** und greifen Sie auch niemals in den Mixaufsatz **3**. Das Schneidmesser **4** ist extrem scharf!
- Verwenden Sie keine Lösungs- oder Scheuermittel für die Kunststoffflächen, diese können andernfalls beschädigt werden.

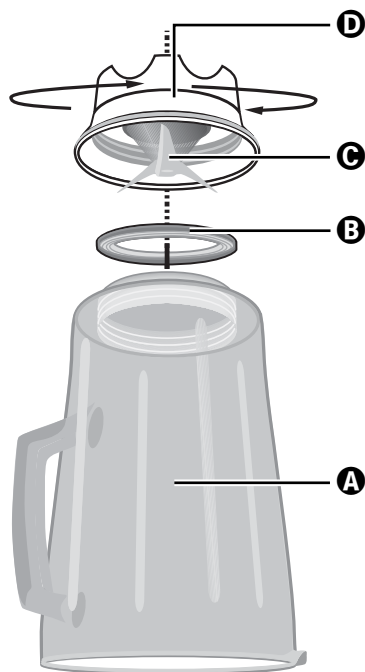
Mixaufsatz reinigen

- ⇨ Reinigen Sie den Mixaufsatz **3** nur mit einer langstieligen Spülbürste, so dass Sie sich nicht am Schneidmesser **4** verletzen können.
- ⇨ Bei hartnäckiger Verschmutzung können Sie den Mixaufsatz **3** auch in der Spülmaschine reinigen lassen. Demontieren Sie dafür immer den Mixaufsatz **3**, wie später beschrieben.
- ⇨ Reinigen Sie den Deckel **2** und die Dosierkappe **1** in der Spülmaschine oder beim normalen Geschirrspülen.

Wenn Sie direkt nach der Benutzung den Standmixer reinigen, erzielen Sie eine in den meisten Fällen ausreichende hygienische Reinigung durch folgende Alternative:

- ⇨ Füllen Sie den Mixaufsatz **3** mit 750 ml Wasser und geben Sie einige Tropfen eines milden Spülmittels dazu. Schließen den Deckel **2** und setzen den Mixaufsatz **3** auf den Motorblock **7**. Stecken Sie den Netzstecker in die Steckdose und betätigen Sie ein paar Mal den Ice Crush/Clean-Betrieb, so dass das Schneidmesser **4** mit maximaler Drehzahl durch das Wasser pflügt. Spülen Sie danach den Mixaufsatz **3** mit viel klarem Wasser aus, so dass alle Spülmittelreste beseitigt sind.

Sollte sich der Schmutz nicht lösen, können Sie den unteren Plastikteil des Mixaufsatzes **3** mit dem Schneidmesser **4** vom Glasteil des Mixaufsatzes **3** lösen:



- A** Glasteil
- B** Dichtungsring
- C** Messer
- D** Plastikteil

- ⇨ Nehmen Sie den Mixaufsatz **3** vom Motorblock **7**.
- ⇨ Drehen Sie das Plastikteil **D** des Mixaufsatzes **3** gegen den Uhrzeigersinn, so dass es sich vom Glasteil **A** des Mixaufsatzes **3** lösen lässt.

⚠ Achtung!

Gehen Sie vorsichtig mit den Messern **C** um. Sie sind sehr scharf. Verletzungsgefahr!

- ⇒ Reinigen Sie beide Teile gründlich in milder Seifenlauge oder in der Spülmaschine.
- ⇒ Setzen Sie das Plastikteil **D** des Mixaufsatzes **3** wieder auf den Glasteil **A** des Mixaufsatzes **3**. Achten Sie darauf, dass der Dichtungsring **B** eingesetzt ist.

Motorblock reinigen

- ⇒ Verwenden Sie ein trockenes oder höchstens leicht angefeuchtetes Tuch, um die Oberflächen zu reinigen.
- ⇒ Kontrollieren Sie bei jeder Reinigung, dass der Kontaktschalter in der Aufnahme für den Mixaufsatz **3** nicht durch Schmutzreste blockiert ist. Wenn Sie eventuelle Blockierungen nicht mit der Ecke von einem Blatt Papier lösen können, wenden Sie sich an den Kundendienst. Verwenden Sie auf keinen Fall einen harten Gegenstand, der Kontaktschalter könnte dadurch beschädigt werden.
- ⇒ Entfernen Sie eventuelle Verschmutzungen an der Unterseite des Motorblocks **7** ausschließlich mit einem trockenen Tuch oder einem Staubpinsel. Achten Sie darauf, dass nichts durch die Lüftungsöffnungen in das Gerät gelangt.

Nach dem Reinigen

Lassen Sie alle Teile wieder gut trocknen, bevor Sie den Standmixer wieder zusammensetzen und verwenden.

Aufbewahren

- ⇒ Wenn Sie den Standmixer längere Zeit nicht verwenden, reinigen Sie ihn gründlich (siehe Kapitel „Reinigen“).
- ⇒ Wickeln Sie das Netzkabel **6** um die Kabelaufwicklung **8** am Boden des Motorblocks **7**.
- ⇒ Bewahren Sie den Standmixer an einem kühlen, trockenen Ort auf.

Entsorgen



Werfen Sie das Gerät keinesfalls in den normalen Hausmüll. Dieses Produkt unterliegt der europäischen Richtlinie 2012/19/EU.

Entsorgen Sie das Gerät über einen zugelassenen Entsorgungsbetrieb oder über Ihre kommunale Entsorgungseinrichtung.

Beachten Sie die aktuell geltenden Vorschriften.

Setzen Sie sich im Zweifelsfall mit Ihrer Entsorgungseinrichtung in Verbindung.



Führen Sie alle Verpackungsmaterialien einer umweltgerechten Entsorgung zu.

Garantie und Service

Sie erhalten auf dieses Gerät 3 Jahre Garantie ab Kaufdatum. Das Gerät wurde sorgfältig produziert und vor Anlieferung gewissenhaft geprüft.

Bitte bewahren Sie den Kassenbon als Nachweis für den Kauf auf. Bitte setzen Sie sich im Garantiefall mit Ihrer Servicestelle telefonisch in Verbindung. Nur so kann eine kostenlose Einsendung Ihrer Ware gewährleistet werden.

Die Garantieleistung gilt nur für Material- oder Fabrikationsfehler, nicht aber für Transportschäden, Verschleißteile oder für Beschädigungen an zerbrechlichen Teilen, z. B. Schalter oder Akkus. Das Produkt ist lediglich für den privaten und nicht für den gewerblichen Gebrauch bestimmt.

Bei missbräuchlicher und unsachgemäßer Behandlung, Gewaltanwendung und bei Eingriffen, die nicht von unserer autorisierten Service-Niederlassung vorgenommen wurden, erlischt die Garantie. Ihre gesetzlichen Rechte werden durch diese Garantie nicht eingeschränkt.

Die Garantiezeit wird durch die Gewährleistung nicht verlängert. Dies gilt auch für ersetzte und reparierte Teile. Eventuell schon beim Kauf vorhandene Schäden und Mängel müssen sofort nach dem Auspacken gemeldet werden, spätestens aber zwei Tage nach Kaufdatum. Nach Ablauf der Garantiezeit anfallende Reparaturen sind kostenpflichtig.

DE Service Deutschland

Tel.: 0800 5435 111

(Kostenfrei aus dem dt. Festnetz/Mobilfunknetz)

E-Mail: kompennass@lidl.de

IAN 100484

AT Service Österreich

Tel.: 0820 201 222 (0,15 EUR/Min.)

E-Mail: kompennass@lidl.at

IAN 100484

CH Service Schweiz

Tel.: 0842 665566 (0,08 CHF/Min.,

Mobilfunk max. 0,40 CHF/Min.)

E-Mail: kompennass@lidl.ch

IAN 100484

Erreichbarkeit Hotline:

Montag bis Freitag von 8:00 Uhr - 20:00 Uhr (MEZ)

Importeur

KOMPERNASS HANDELS GMBH

BURGSTRASSE 21

44867 BOCHUM

GERMANY

www.kompennass.com



KOMPERNASS HANDELS GMBH

BURGSTRASSE 21

44867 BOCHUM

DEUTSCHLAND / GERMANY

www.kompernass.com

Last Information Update · Stanje informacija · Versiunea informațiilor

Актуалност на информацията · Έκδοση των πληροφοριών

Stand der Informationen: 04 / 2014 · Ident.-No.: SSM550D1-032014-1

IAN 100484