

SILVERCREST®



www.lidl-service.com



BLENDER SSM 550 D1

GB

BLENDER

Operating instructions

HU

TURMIXGÉP

Használati utasítás

CZ

MIXÉR

Návod k obsluze

DE AT CH

STANDMIXER

Bedienungsanleitung

PL

MIKSER STOJĄCY

Instrukcja obsługi

SI

STOJEČI MEŠALNIK

Navodila za uporabo

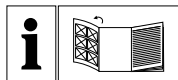
SK

MIXÉR

Návod na obsluhu

IAN 100484

PL HU SI CZ SK



GB

Before reading, unfold the page containing the illustrations and familiarise yourself with all functions of the device.

PL

Przed przeczytaniem proszę rozłożyć stronę z ilustracjami, a następnie proszę zapoznać się z wszystkimi funkcjami urządzenia.

HU

Olvadás előtt kattintson az ábrát tartalmazó oldalra és végezetül ismerje meg a készülék mindegyik funkcióját.

SI

Pred branjem odprite stran s slikami in se nato seznanite z vsemi funkcijami naprave.

CZ

Před čtením si otevřete stranu s obrázky a potom se seznámte se všemi funkcemi přístroje.

SK

Pred čítaním si odklopte stranu s obrázkami a potom sa oboznámte so všetkými funkciami prístroja.

DE AT CH

Klappen Sie vor dem Lesen die Seite mit den Abbildungen aus und machen Sie sich anschließend mit allen Funktionen des Gerätes vertraut.

GB	Operating instructions	Page	1
PL	Instrukcja obsługi	Strona	13
HU	Használati utasítás	Oldal	25
SI	Navodila za uporabo	Stran	37
CZ	Návod k obsluze	Strana	49
SK	Návod na obsluhu	Strana	61
DE/AT/CH	Bedienungsanleitung	Seite	73



CONTENT	PAGE
Introduction	2
Intended Use	2
Items supplied	2
Appliance description	2
Technical data	2
Safety Notices	3
Unpacking	5
Preparing for use	5
Operation	5
Filling and mounting the mixer jug.....	5
Selecting operating speeds.....	5
Filling when in use.....	6
Removing the mixer.....	6
Useful tips	6
Recipes	7
Banana Shake.....	7
Vanilla Shake.....	7
Cappucino Shake.....	7
Tropical Mix.....	7
Nut-Nougat Shake.....	7
Carrot Shake.....	7
Blackcurrant Mix.....	7
Hawaii Shake.....	8
Fruity Pineapple-Strawberry Mix.....	8
Andalusian Cold Soup (Gazpacho).....	8
Cleaning	8
Cleaning the mixer.....	9
Cleaning the motor block.....	10
After cleaning.....	10
Storage	10
Disposal	10
Warranty & Service	10
Importer	11

Blender

Introduction

Congratulations on the purchase of your new appliance.

You have clearly decided in favour of a quality product. These operating instructions are a part of this product. They contain important information in regard to safety, use and disposal. Before using the product, familiarise yourself with all of these operating and safety instructions. Use the product only as described and only for the specified areas of application. In addition, pass these documents on, together with the product, to any future owner.

Intended Use

This appliance is intended for ...

- the mixing, blending and stirring of foodstuffs as well as the crushing of ice cubes,
- exclusively for normal domestic amounts and only for private use in a domestic environment in dry rooms.

This appliance is not intended for ...

- the hacking of hard foodstuffs, such as nuts, seeds, large kernels or stalks,
- the processing of materials that are not foodstuffs,
- utilisation for commercial or industrial purposes,
- for use in moist environments or outdoors,
- processing hot/boiling liquids.

Use only the accessories and spare parts that are specified for this appliance. Other parts are possibly not sufficiently suitable or safe!

Items supplied

After unpacking, check to ensure all items are available. Being supplied are:

- 1 x Motor block, with power cable and plug
- 1 x Mixer jug, with permanently assembled cutters
- 1 x Lid
- 1 x Filling cap
- 1 x Operating instruction

Appliance description

- 1 Filling cap
- 2 Cover
- 3 Mixer jug
- 4 Cutter
- 5 Switch
- 6 Power cable
- 7 Motor block
- 8 Cable storage
- 9 Scale

Technical data

Nominal voltage: 220 - 240 V ~, 50 Hz

Nominal power

consumption: 550 Watt

Max. capacity: 1.75 l

Protection class: II

CO time: 3 Minutes

The C.O. Time (Continuous Operation) details how long an appliance may be used without the motor overheating and being damaged. When the specified C.O. Time has been reached, the appliance must be switched off until the motor has cooled itself down.

Safety Notices

⚠ To avoid the risk of a potentially fatal electric shock:

- Ensure that the motor block, the power cable and the power plug are never submerged in water or other fluids.
- Only use the appliance in dry rooms, never use it outdoors or in moist environments.
- Make sure that the power cable never becomes wet or damp during operation. Lay the cable such that it does not get clamped or otherwise damaged.
- Arrange for defective power plugs and/or cables to be replaced at once by qualified technicians or our Customer Service Department.
- Always remove the plug from the power socket after use. Switching off the appliance is not sufficient because the appliance receives power as long as the power plug is connected to the socket.
- Check to ensure that the appliance is in a service-able condition before taking it into use. The appliance may not be used if there is recognisable damage on it, especially to the motor block and the glass mixing jug.
- Immediately remove the plug from the socket should you hear or smell anything unexpected from the appliance when it is in use or there is an evident malfunction.

⚠ To avoid overheating and the risk of fire:

- Do not use the appliance in locations with direct sunlight or in the vicinity of heat generating appliances.
- NEVER fill the mixing jug with boiling fluids or other foods!
Allow these to cool to a handwarm temperature. Otherwise, the appliance could overheat and/ or the glass of the mixing jug could crack!
- NEVER operate the appliance when it is empty, i.e. without ingredients in the mixing attachment.

⚠ To reduce the risk of fire or injury:

- NEVER insert your hand or fingers in the mixing jug, especially when it is in use. The cutters are extremely sharp!
- DO NOT open the cover when the appliance is in operation. Should you do so, pieces of the foodstuff could be thrown out at high speeds!
- Do not insert cutlery items or mixing tools into the mixing jug when the appliance is in use. There is a considerable risk of injury should these make contact with the swiftly rotating cutters!
- In order to be able to react immediately in the event of danger, always have the appliance under supervision when it is in use.
- Children should be supervised to ensure that they do not play with the appliance.
- Never use the appliance for purposes other than those described in these instructions.
- The appliance should always be disconnected from the mains when not supervised and before assembly, disassembly or cleaning.
- This appliance shall not be used by children.
- The appliance and its connecting cable must be kept away from children.
- This appliance may be used by people with reduced physical, sensory or mental capabilities or lack of experience and/or knowledge if they are supervised and have been instructed in how to use the appliance safely and have understood the potential risks.
- Children must not play with the appliance.
- Be careful when handling the appliance. The blades are very sharp!
- Take care when emptying the blender jug! The blades are very sharp!
- Take care when cleaning the appliance! The blades are very sharp!
- Switch the appliance off and disconnect the plug from the power supply before changing accessories or getting hold of parts that move during operation.
- Use the mixer jug only with the supplied motor block!
- Always make sure that the blender is switched off before removing the mixer jug from the motor block!

Unpacking

- Remove all packaging materials or protective foils from the appliance. Retain the packaging, so that you can store the appliance with protection or send it by post, e.g. should it need repair.
- Before taking the appliance into use, check to ensure that it is free of damage, check also that the power cable and plug as well as all accessories and appliance parts are undamaged.
- Carefully clean all components before taking the appliance into use for the first time (see "Cleaning").

Preparing for use

When all components have been cleaned as described under "Cleaning":

- ⇒ Position the appliance such that, ...
- that the power cable **6** passes through the recess at the rear of the appliance,
 - the power plug is immediately accessible, so that it can be quickly withdrawn in the event of danger,
 - that it is stable and not liable to slip, and such that the suction cups find a firm hold so that the appliance cannot tip over due to vibration,
 - that the power cable **6** is not in the working area and thus not presenting a risk of being inadvertently snagged and tipping the appliance over.

Operation

⚠ Warning!

The motor switches itself off as soon as the mixer jug **3** is removed from the motor block **7**. It could then be overlooked that the appliance is still switched on. The motor will thus start of its own accord as soon as the mixer jug **3** is replaced on it:

Therefore:

- First insert the power plug into the wall socket when the mixer jug **3** is filled and mounted with its lid fitted and closed.
- Before mounting the mixing jug always check to see that the appliance is switched off or that the power plug has been removed.
- Before removing the mixer jug **3**, switch the appliance off, remove the power plug and wait for the motor to stop revolving.

Filling and mounting the mixer jug

- ⇒ Take the mixer jug **3** from the motor block **7** and remove the cover **2**.
- ⇒ Fill the mixer jug **3** and then press the cover **2** firmly back onto the mixer jug **3**. Ensure that the pourer nose on the mixer jug **3** is also closed.
- ⇒ Insert the filling cap **1** into the lid opening and secure it by turning it clockwise.
- ⇒ Place the ready filled and sealed mixer jug **3** onto the motor block **7**. Lightly turn the mixer jug **3** until you can press it down. The motor can start only when the mixer jug **3** is securely positioned.

Selecting operating speeds

When the mixer jug **3** is filled, completely sealed and securely fitted to the motor block **7**, you can then switch the appliance on.

⇨ Place the switch 5 on ...

- **Level 1 - 3**

for fluid or soft foodstuffs, for mixing, blending and stirring

- **Level 3 - 5**

for firmer foodstuffs or for hacking

- **Level Ice Crush/Clean**

for short, powerful impulse operation, e.g. for crushing icecubes or when cleaning. So as not to overburden the motor, the switch 5 does not engage in this position. Hence, hold the switch 5 in this position for short periods only.

i Note

Fill the mixer jug 3 with a maximum of 180 g of ice cubes. If filled with more than this, the appliance cannot optimally crush them.

Filling when in use

⚠ Warning!

Should you wish to insert further foodstuffs during operation, you may **ONLY** open the filling cap 1 provided for this purpose.

- Under no circumstance should you open the cover 2. Pieces of the foodstuff could be thrown out at high speeds!
- Do not insert cutlery items or mixing tools into the mixer jug 3 when the appliance is in use. There is a considerable risk of injury should these make contact with the swiftly rotating cutters 4!

To insert something when the appliance is in operation, ...

⇨ turn the filling cap 1 anti-clockwise and remove it.

⇨ Fill in the ingredients.

⇨ Afterwards, replace the filling cap 1 into the lid and secure it by turning it clockwise.

Removing the mixer

When the processing of the foodstuffs is complete:

⇨ Always first place the switch 5 into the OFF position ("OFF") and remove the power plug.

⇨ Wait until the motor has come to a complete standstill before lifting the mixer jug 3 straight up. The mixer jug 3 does not need to be turned.

Useful tips

- The best results when blending firm ingredients are achieved by placing small portions one after the other into the mixer jug 3 instead of inserting a single large portion.
- When processing firm ingredients, cut them into small pieces (2-3 cm).
- When mixing liquid ingredients begin first of all with a small measure of fluids. Gradually add more fluids to the mixture through the filling cap.
- The appliance can be stabilised by placing your hand on top of the closed liquidiser during operation.
- For the stirring of firm or very viscous foodstuffs it can be beneficial to use the impulse-operation, which helps avoid a blocking of the cutters 4.

i Note

Do not use the appliance to crush grains of cooking salt, refined sugar or white sugar. For example, to make powdered sugar.

Recipes

Banana Shake

2 Bananas

approx. 2 Tbsp. Sugar (depending on the ripeness of the bananas and personal taste)

1/2 l. Milk

1 Dash of lemon juice

Peel the bananas and liquidise them with Level 2.

First gradually add the milk, then the sugar and lemon juice. Continue mixing everything until a smooth and uniform liquid results.

Serve the shake chilled.

Vanilla Shake

1/4 l. milk

250 g Vanilla ice cream

125 ml Icecubes

1 1/2 Tsp Sugar

Crush the ice cubes with the level Ice Crush/Clean.

Place the remaining ingredients into the mixer.

Mix everything at Level 2 until the liquid has a smooth consistency

Cappucino Shake

65 ml cold Espresso (or a very strong coffee)

65 ml Milk

15 g Sugar

65 ml Vanilla ice cream

100 ml crushed Icecubes

Crush the ice cubes with the level Ice Crush/Clean.

Add the espresso, milk and sugar. Mix everything together with level 2 until the sugar has dissolved.

Finally, add the vanilla ice cream and then briefly mix everything together using level 1.

Tropical Mix

125 ml Pineapple juice

60 ml Papaya juice

50 ml Orange juice

1/2 small tin of Peaches with juice

125 ml Icecubes

Crush the ice cubes with the level Ice Crush/Clean. Place all ingredients into the mixer and blend them together using level 3.

Nut-Nougat Shake

1/2 l. Milk

200 g Nut-Nougat spread

1 ball of Vanilla ice cream

50 ml cream

Combine all ingredients in a mixer and use level 3 until everything is evenly blended together.

Carrot Shake

300 ml Apple juice

500 ml Carrot juice

4 Tbsp Cooking oil (Wheat germ oil or rapeseed oil)

4 Tbsp of Lemon juice

Ginger powder

Pepper

Place the apple juice, cooking oil and lemon juice into the mixer and blend everything together using level 2. Then, add the carrot juice and mix it all together using level 2. To finish, add the ginger powder and pepper to taste.

Blackcurrant Mix

2 Tsp Honey

2 Bananas

1/4 l. Buttermilk

1/4 l. Blackcurrant juice

Place all ingredients into the mixer and blend them together using level 3.

Hawaii Shake

4 Bananas
1/4 l. Pineapple juice
1/2 l. Milk
2 tbsp. Honey
1/4 l. Rum

Peel the bananas and liquidise them using Level 2. Then add the other ingredients and mix everything together using level 1.

Fruity Pineapple-Strawberry Mix

250 ml Pineapple juice
200 g Strawberries
300 ml Apple juice
4 Ice cubes

Crush the ice cubes with the level Ice Crush/Clean. Wash the strawberries and remove the green parts. Liquidise them using level 2. Then add the remaining ingredients and mix everything together using level 1.

Andalusian Cold Soup (Gazpacho)

1/2 Cucumber
1 Beef tomato
1 Green pepper
1/2 Onion
1 Garlic clove
1/2 White bread roll
1/2 Tsp Salt
1 Tsp Red wine vinegar
1 Tbsp Olive oil

Cut the vegetables into pieces approx. 2 cm in size. First place the tomatoes and then the cucumber into the mixer. Liquidise them using level 3. Add the remaining ingredients and then liquidise/blend them all together at level 3 until a smooth soup is created.
Serve the soup with bread.

Note

These recipes are provided subject to change. All ingredients and preparation information are guiding values. Expand these recipe suggestions based on your personal experiences.


Note

For cases of lactose intolerance, we recommend you use a lactose-free milk. Keep in mind, however, that lactose-free milk is a little sweeter.

Cleaning

Caution!

Before starting to clean the liquidiser and its components:

- Ensure that the motor is switched off and the power plug removed from the socket.
-  Under no circumstance may the motor block **7** be submersed in water or other fluids. This could result in you receiving a fatal electric shock and the appliance could be damaged.
- Never open the housing of the appliance. This brings with it the risk of receiving a fatal electric shock.
- Never disassemble the cutters **4** and never reach into the mixer jug **3**. The cutters **4** are extremely sharp!
- Do not use solvents or abrasive cleaners on the plastic surfaces, they could be damaged by them.

Cleaning the mixer

- ⇒ So that you do not injure yourself on the cutters **4**, clean the mixer jug **3** only with a long handled dishwasher brush.
- ⇒ In a case of stubborn soiling, the mixer jug **3** can also be cleaned in a dishwasher. For this, always take the mixer jug **3** apart, as described later.
- ⇒ Clean the cover **2** and the filling cap **1** in a dishwasher or with the normal washing up.

If you clean the liquidiser directly after use, you can often achieve a satisfactory and hygienic level of cleaning with the following alternative:

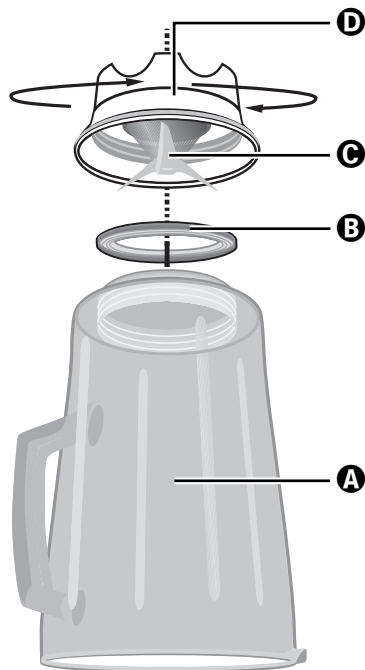
If you clean the liquidiser directly after use, you can often achieve a satisfactory and hygienic level of cleaning with the following alternative:

- ⇒ Fill the mixer jug **3** with 750 ml of water and add a few drops of mild detergent. Close the cover **2** and fit the mixer jug **3** onto the motor block **7**.

Insert the plug into a mains power socket and activate the Ice Crush/Clean operation a few times, such that the cutter **4** ploughs through the water at full speed.

Afterwards, rinse the mixer jug **3** out with lots of clean water to ensure that all detergent residues have been removed.

Should this not dislodge the soiling, you can separate the lower plastic part of the mixer jug **3** (with the cutters **4**) from the the glass part of the mixer jug **3**:



- A** Glass element
- B** Sealing ring
- C** Cutting blade
- D** Plastic element

- ⇒ Remove the mixer jug **3** from the motor block **7**.
- ⇒ Turn the plastic element **D** of the mixer jug **3** anti-clockwise, such that it allows itself to be released from the glass element **A** of the mixer jug **3**.

⚠ Attention!

Take care with the cutting blades **C**. They are very sharp. Risk of injury!

- ⇒ Clean both parts thoroughly in a mild soapy solution or in a dishwasher.
- ⇒ Replace the plastic element **D** of the mixer jug **3** back onto the glass element **A**. Ensure that the sealing ring **B** is correctly fitted.

Cleaning the motor block

- ⇒ Use a dry cloth or, at the most, a lightly moistened one for cleaning the plastic surfaces.
- ⇒ At every cleaning check that the contact switch in the receptor for the mixer jug **3** is not blocked by soiling residues. If you cannot dislodge any blockages with the corner of a piece of paper, make contact with Customer Services. Under no circumstances should you use a hard object, this could damage the contact switch.
- ⇒ Remove any possible residues on the underside of the motor block **7** only with a dry cloth or a stiff bristled brush. Ensure that nothing can enter through the ventilation opening of the appliance.

After cleaning

Allow all parts to dry well before re-assembling and re-using the liquidiser.

Storage

- ⇒ If you do not intend to use the liquidiser for an extended period, clean it thoroughly (see chapter "Cleaning").
- ⇒ Wrap the power cable **6** around the cable storage **8** on the base of the motor block **7**.
- ⇒ Store the liquidiser at a cool and dry location.

Disposal



Do not dispose of the appliance in your normal domestic waste. This product is subject to the European guideline 2012/19/EU.

Dispose of the appliance through an approved disposal centre or at your community waste facility. Observe the currently applicable regulations. In case of doubt, please contact your waste disposal centre.



Dispose of all packaging materials in an environmentally responsible manner.

Warranty & Service

The warranty for this appliance is for 3 years from the date of purchase. The appliance has been manufactured with care and meticulously examined before delivery.

Please retain your receipt as proof of purchase. In the event of a warranty claim, please make contact by telephone with our Service Department. Only in this way can a post-free despatch for your goods be assured.

The warranty covers only claims for material and manufacturing defects, but not for transport damage, for wearing parts or for damage to fragile components, e.g. buttons or batteries. This product is for private use only and is not intended for commercial use. The warranty is void in the case of abusive and improper handling, use of force and internal tampering not carried out by our authorized service branch. Your statutory rights are not restricted in any way by this warranty.

The warranty period will not be extended by repairs made under warranty. This applies also to replaced and repaired parts. Any damage and defects extant on purchase must be reported immediately after unpacking the appliance, at the latest, two days after the purchase date. Repairs made after the expiration of the warranty period are subject to payment.

 **Service Great Brita**

Tel.: 0871 5000 720 (£ 0.10/Min.)

E-Mail: kompernass@lidl.co.uk

IAN 100484

Hotline availability:

Monday to Friday 08:00 - 20:00 (CET)

Importer

KOMPERNASS HANDELS GMBH

BURGSTRASSE 21

44867 BOCHUM

GERMANY

www.kompernass.com

SPIS TRESCI

STRONA

Wprowadzenie	14
Użytkowanie zgodne z przeznaczeniem	14
Zakres dostawy	14
Opis urządzenia	14
Dane techniczne	14
Wskazówki bezpieczeństwa	15
Rozpakowanie	17
Ustawianie	17
Obsługa	17
Napełnianie i zakładanie nasadki miksującej	17
Wybór stopnia prędkości	17
Napełnianie podczas pracy	18
Zdejmowanie nasadki miksującej	18
Przydatne wskazówki	18
Przepisy	19
Szejk bananowy	19
Szejk waniliowy	19
Szejk Cappucino	19
Koktajl tropikalny	19
Szejk z nugatem orzechowym	19
Szejk marchewkowy	19
Koktajl porzeczkowy	19
Szejk po hawajsku	20
Owocowy koktajl ananasowo-truskawkowy	20
Zupa andaluzyjska na zimno (Gazpacho)	20
Czyszczenie	20
Czyszczenie nasadki miksującej	21
Czyszczenie bloku silnika	22
Po zakończeniu czyszczenia	22
Przechowywanie	22
Utylizacja	22
Gwarancja i serwis	22
Importer	23

Mikser stojący

Wprowadzenie

Gratulujemy Ci zakupu naszego urządzenia. Jest to produkt wysokiej jakości. Instrukcja obsługi stanowi część tego produktu. Zawiera ona ważne wskazówki dotyczące bezpieczeństwa, użytkowania i utylizacji urządzenia. Przed przystąpieniem do użytkowania produktu zapoznaj się z wszystkimi wskazówkami obsługi i bezpieczeństwa. Używaj produkt zgodnie z opisem i w podanych obszarach użytkowania. W razie przekazania produktu następnej osobie, nie zapomnij dołączyć również instrukcji obsługi.

Użytkowanie zgodne z przeznaczeniem

Do czego jest przeznaczone to urządzenie ...

- mieszanie, ucieranie i ubijanie produktów spożywczych, jak również rozdrabnianie kostek lodu (kruszenie),
- obróbka wyłącznie ilości na domowe potrzeby i do użytku prywatnego w suchych pomieszczeniach.

Do czego nie jest przeznaczone to urządzenie ...

- rozdrabnianie twardych części produktów spożywczych, takich jak np. orzechy, pestki, duże ziarna lub todygi,
- obróbka materiałów innych niż produkty spożywcze,
- zastosowanie do celów komercyjnych lub przemysłowych,
- użytkowanie w wilgotnym otoczeniu lub na wolnym powietrzu,
- przygotowywanie gorących/gotujących się płynów.

Używaj wyłącznie części zamiennych i akcesoriów przeznaczonych do tego urządzenia. Inne części mogą być niewystarczająco dopasowane lub niebezpieczne!

Zakres dostawy


Po rozpakowaniu urządzenia sprawdź, czy w zestawie znajdują się wszystkie części. Zakres dostawy obejmuje:

- 1 x blok silnika, z kablem i wtyczką sieciową
- 1 x nasadka miksująca, z zamontowanym na stałe nożem tnącym
- 1 x pokrywa
- 1 x przykrywka otworu wlotowego
- 1 x instrukcja obsługi

Opis urządzenia

- 1 przykrywka otworu wlotowego
- 2 pokrywa
- 3 nasadka miksująca
- 4 nóż tnący
- 5 włącznik
- 6 kabel sieciowy
- 7 blok silnika
- 8 schowek na kabel zasilający
- 9 skala

Dane techniczne

Napięcie nominalne:	220 - 240 V ~, 50 Hz
Moc znamionowa:	550 W
Maksymalne napełnienie:	1,75 l
Klasa ochrony:	II 
Czas pracy ciągłej:	3 minuty

Czas pracy określa, jak długo można używać urządzenie bez zagrożenia przegrzaniem silnika i tym samym jego uszkodzenia. Po upływie podanego czasu PK urządzenie należy wyłączyć i odczekać aż do całkowitego ostygnięcia silnika.

Wskazówki bezpieczeństwa

⚠ Aby uniknąć zagrożenia porażenia prądem elektrycznym:

- Upewnij się, że blok silnika, kabel sieciowy ani wtyczka nie są zanurzone w wodzie ani innej cieczy.
- Korzystaj z urządzenia wyłącznie w suchych pomieszczeniach, nigdy na wolnym powietrzu ani w wilgotnych pomieszczeniach.
- Zwróć uwagę, czy kabel w trakcie użytkowania urządzenia nie był wilgotny ani mokry. Kabel układać w taki sposób, aby nie został on zakleszczony lub uszkodzony w inny sposób.
- Naprawę uszkodzonej wtyczki lub kabla sieciowego zleć niezwłocznie wykwalifikowanemu personelowi lub serwisowi klienta.
- Po zakończeniu używania należy zawsze wyciągnąć wtyczkę z gniazdka. Samo wyłączenie urządzenia nie wystarczy, gdyż jest ono nadal podłączone do napięcia sieci, dopóki wtyczka sieciowa znajduje się w gniazdku.
- Przed każdym użyciem sprawdź stan urządzenia. Nie używać urządzenia w przypadku wykrycia w nim usterek, w szczególności w bloku silnika lub szklanej nasadce miksującej.
- W przypadku stwierdzenia nietypowych odgłosów pracy urządzenia lub zauważenia usterek jak najszybciej wyciągnij wtyczkę z gniazdka.

⚠ Aby zapobiec przegrzaniu i niebezpieczeństwu pożaru:

- Nigdy nie używaj urządzenia w obszarze bezpośredniego działania promieni słonecznych ani oddziaływania ciepłego przez urządzenia wytwarzające ciepło.
- Nigdy nie wlewaj do nasadki miksującej wrzących płynów! Najpierw odczekaj, aż ostygną. W przeciwnym razie urządzenie może się przegrzać a szkło nasadki miksującej pęknąć!
- Nigdy nie używaj urządzenia bez uprzedniego dodania składników, np. bez składników w końcówce miksującej.

⚠ Aby zapobiec niebezpieczeństwu wypadku i obrażeń:

- Nigdy nie wkładaj ręk do nasadki miksującej, szczególnie podczas pracy urządzenia. Noże są bardzo ostre!
- Nigdy nie otwieraj pokrywy, gdy urządzenie znajduje się w trakcie pracy. Przy otwartej pokrywie kawałki produktów spożywczych mogłyby zostać wyrzucone z dużą prędkością!
- Nigdy nie wkładaj do nasadki miksującej sztućców ani żadnych przyrządów do mieszania podczas pracy urządzenia. Występuje poważne niebezpieczeństwo odniesienia obrażeń gdy włożone przedmioty dotkną obracających się z dużą prędkością noży.
- By mieć możliwość szybkiego zareagowania w razie niebezpiecznej sytuacji, nigdy nie zostawiaj pracującego urządzenia bez nadzoru.
- Nie można pozwolić dzieciom na zabawę urządzeniem.
- Nie używaj urządzenia do innych celów niż opisane w tej instrukcji.
- Przy braku nadzoru oraz przed montażem, złożeniem, rozłożeniem lub czyszczeniem należy zawsze odłączyć urządzenie od zasilania sieciowego.
- Dzieci nie mogą posługiwać się urządzeniem.
- Urządzenie oraz jego kabel zasilający należy trzymać poza zasięgiem dzieci.
- To urządzenie może być używane przez osoby o zmniejszonych zdolnościach fizycznych, sensorycznych lub umysłowych lub też osoby nieposiadające odpowiedniego doświadczenia i/lub wiedzy, wyłącznie pod nadzorem lub po przeszkoleniu w zakresie bezpiecznego używania urządzenia oraz wynikających z niego zagrożeń.
- Dzieci nie mogą bawić się urządzeniem.
- Zachowaj ostrożność podczas posługiwania się urządzeniem. Ostrza są bardzo ostre!
- Podczas opróżniania pojemnika do miksowania zachowaj ostrożność! Ostrza są bardzo ostre!
- Podczas czyszczenia urządzenia zachowaj ostrożność! Ostrza są bardzo ostre!
- Zanim zaczniesz zmieniać akcesoria lub dotkniesz części, które w trakcie pracy urządzenia się poruszają, wyłącz urządzenie i wyjmij wtyczkę sieciową z gniazda.
- Nasadkę miksującą należy używać wyłącznie z dołączonym do niej blokiem silnika.
- Należy się upewnić, aby mikser był zawsze wyłączony, zanim zaczniesz zdejmować się nasadkę miksującą z bloku silnika!

Rozpakowanie

- Zdejmij z urządzenia wszystkie elementy opakowania lub folie ochronne. Zachowaj opakowanie w celu bezpiecznego przechowywania urządzenia lub umożliwienia jego odesłania, np. w razie naprawy.
- Zanim przystąpisz do korzystania z urządzenia upewnij się, czy urządzenie, w tym jego kabel sieciowy z wtyczką oraz wszystkie akcesoria i elementy wyposażenia nie uległy uszkodzeniu.
- Przed pierwszym użyciem miksera starannie wymyj wszystkie elementy (zobacz „Czyszczenie”).

Ustawianie

Po wyczyszczeniu wszystkich części, jak opisano w rozdziale „Czyszczenie”:

- ⇒ Jak należy ustawić urządzenie, ...
- by kabel sieciowy ⑥ wychodził przez otwór z tyłu,
 - wtyczka musi się znajdować w łatwo dostępnym miejscu, by móc ją szybko wyciągnąć z gniazdka w razie wystąpienia niebezpieczeństwa.
 - by stało ono stabilnie na podstawie, by umożliwić przyssanie się przyssawek i w ten sposób uniemożliwić przewrócenie się urządzenia po wystąpieniu drgań.
 - kabel ⑥ nie może sięgać do obszaru roboczego, ponieważ przypadkowe pociągnięcie za kabel mogłoby spowodować przewrócenie urządzenia.

Obsługa

⚠ Ostrzeżenie!

Silnik wyłączy się, gdy tylko nasadka miksująca ③ zostanie zdjęta z bloku silnika ⑦. Można przy tym zapomnieć, że urządzenie pozostaje nadal włączone. Silnik zacznie pracować, zaraz po założeniu nasadki miksującej ③:

Dlatego:

- Podłączaj wtyczkę do gniazdka dopiero wtedy, gdy nasadka miksująca ③ będzie do końca zapełniona i założona z zamknięciem.
- Zawsze przed przystąpieniem do zamontowania upewnij się, że urządzenie jest wyłączone lub wtyczka wyciągnięta z gniazdka.
- Najpierw wyłącz urządzenie, wyciągnij wtyczkę z gniazdka i odczekaj do zatrzymania silnika, i dopiero potem zdejmij nasadkę miksującą ③.

Napełnianie i zakładanie nasadki miksującej

- ⇒ Sejměte nástavec mixéru ③ z motorového bloku ⑦ a sundějte víko ②.
- ⇒ Naplňte nástavec mixéru ③ a vzápětí natlačte opět víko ② na nástavec mixéru ③. Zvróć uwagę na to, czy dziubek w nasadce miksującej ③ jest zamknięty.
- ⇒ W otwór pokrywy włóż przykrywkę otworu wlotowego ① i obróć ją w kierunku zgodnym z ruchem wskazówek zegara.
- ⇒ Napełnij i zamknij nasadkę miksującą ③ załóż na blok silnika ⑦. Przekręć lekko nasadkę miksującą ③, aż będzie ją można docisnąć. Silnik może się uruchomić tylko wtedy, gdy nasadka miksująca ③ będzie dokładnie osadzona.

Wybór stopnia prędkości

Urządzenie można włączyć dopiero po zapełnieniu, zamknięciu i założeniu na blok silnika ⑦ nasadki miksującej ③.

⇒ Ustawienia przełącznika 5 prędkości ...

- Stopień 1-3

do płynnych i średniostatych produktów spożywczych, do mieszania, przecierania i ubijania

- Stopień 3-5

do statych produktów spożywczych lub do rozdrabniania

- Stopień Ice Crush/Clean

do krótkotrwałej, intensywnej pracy impulsowej, np. do kruszenia kostek lodu lub do czyszczenia. Przełącznik 5 nie blokuje się w tym położeniu, żeby nie powodować zbyt nadmiernego przeciążania silnika. Z tego powodu przełącznik 5 przytrzymaj chwilę w tym położeniu.

i Wskazówka

W nasadce miksującej 3 mieści się maksymalnie 180 g kostek lodu. Urządzenie nie przerobi optymalnie większej ilości kostek lodu.

Napełnianie podczas pracy

⚠ Ostrzeżenie!

By uzupełnić składniki podczas pracy, należy to wykonywać wyłącznie przez przewidzianą do tego przykrywkę otworu wlotowego 1.

- Nigdy nie otwieraj pokrywy 2. Przy otwartej pokrywie kawałki produktów spożywczych mogłyby zostać wyrzucone z dużą prędkością!
- Nigdy nie wkładaj do nasadki miksującej 3 sztućców ani żadnych przyrządów do mieszania podczas pracy urządzenia. Występuje poważne niebezpieczeństwo odniesienia obrażeń gdy włożone przedmioty dotkną obracających się z dużą prędkością noży 4.

Uzupełnianie produktów podczas pracy urządzenia, ...

⇒ obróć przykrywkę otworu wlotowego 1 w kierunku odwrotnym do ruchu wskazówek zegara i zdejmij ją.

⇒ Wypełnij składników.

⇒ następnie włóż przykrywkę otworu wlotowego 1 i obróć ją w kierunku zgodnym z ruchem wskazówek zegara.

Zdejmowanie nasadki miksującej

Po zakończeniu obróbki umieszczonych produktów spożywczych:

⇒ Najpierw zawsze ustaw przełącznik w położeniu wyłączenia 5 („0”), a następnie wyciągnij wtyczkę z gniazdka.

⇒ Odczekaj do całkowitego zatrzymania silnika, i dopiero wtedy zdejmij nasadkę miksującą 3. Przystawka miksująca 3 nie wymaga przy tym obracania.

Przydatne wskazówki

- Aby podczas przecierania statych składników osiągnąć lepsze wyniki, należy dodawać je do przystawki miksującej 3 po kolei w małych porcjach, zamiast wkładania jednorazowo sporej ilości.
- Podczas obróbki składników statych, należy pokroić je na drobniejsze kawałki (2-3 cm).
- Podczas miksowania składników płynnych miksowanie należy rozpocząć przede wszystkim z nieznaną ilością płynu. Następnie należy dodawać coraz więcej płynu przez otwór w pokrywie.
- Przykładając rękę do górnej części zamkniętego miksera można skutecznie usztywnić urządzenie.
- Przy ubijaniu statych lub bardzo gęstych produktów spożywczych może przydać się tryb impulsowy, który zapobiega zablokowaniu noża 4 tnącego.

i Wskazówka

Nie używaj urządzenia do rozdrabniania soli ani do robienia cukru pudru z cukru rafinowanego lub cukru białego.

Przepisy

Szejk bananowy

2 banany
około 2 łyżek cukru
(w zależności od stopnia dojrzałości bananów i własnych preferencji smakowych)
1/2 litra mleka
1 pryśnięcie soku z cytryny

Banany obieramy ze skórki i miksujemy na 2 stopniu prędkości. Stopniowo dodajemy mleko, następnie cukier i sok z cytryny. Całość miksujemy dotąd, aż powstanie jednorodny napój. Szejk podajemy mocno zmrożony.

Szejk waniliowy

1/4 litra mleka
250 g lodów waniliowych
125 ml kostek lodu
1 1/2 łyżeczki cukru

Kostki lodu kruszymy na stopniu Ice Crush/Clean. Dodajemy pozostałe produkty do miksera. Miksować wszystko na stopniu 2, aż powstanie jednolity płyn.

Szejk Cappucino

65 ml zimnej kawy Espresso
(lub bardzo mocnej zwykłej kawy)
65 ml mleka
15 g cukru
65 ml lodów waniliowych
100 ml skruszonych kostek lodu

Kostki lodu kruszymy na stopniu Ice Crush/Clean. Dodajemy kawę Espresso, mleko i cukier. Całość miksujemy na 2 stopniu, aż cukier się rozpuści. Na końcu dodajemy lody waniliowe i miksujemy przez chwilę na 1 stopniu.

Koktajl tropikalny

125 ml soku ananasowego
60 ml soku z papai
50 ml soku pomarańczowego
1/2 mała puszka brzoskwiń z sokiem
125 ml kostek lodu

Kostki lodu kruszymy na stopniu Ice Crush/Clean. Wkładamy wszystkie składniki do miksera i całość mieszamy na stopniu 3.

Szejk z nugatem orzechowym

1/2 litra mleka
200 g nugatu orzechowego
1 gałka lodów waniliowych
50 ml śmietany

Wszystkie składniki mieszamy w mikserze na stopniu 3, aż do powstania jednorodnego napoju.

Szejk marchewkowy

300 ml soku jabłkowego
500 ml soku marchwiowego
4 łyżki oleju (z kielków pszenicznych lub rzepakowego)
4 łyżki soku z cytryny
Imbir w proszku
Pieprz

Sok jabłkowy, olej i sok z cytryny umieszczamy w mikserze i wszystko mieszamy na 2 stopniu. Następnie dolewamy soku marchwiowego i mieszamy dalej na 2 stopniu. Szejk doprawiamy imbirem w proszku i pieprzem.

Koktajl porzeczkowy

2 łyżeczki miodu
2 banany
1/4 litra maślanki
1/4 litra soku porzeczkowego
(z czarnych porzeczek)

Wkładamy wszystkie składniki do miksera i całość mieszamy na 3 stopniu.

Szejk po hawajsku

- 4 banany
- 1/4 litra soku ananasowego
- 1/2 litra mleka
- 2 łyżki stołowe miodu
- 1/4 litra rumu

Banany obieramy ze skórki i miksujemy na 2 stopniu prędkości. Dodajemy pozostałe składniki i całość mieszamy na 1 stopniu.

Owocowy koktajl ananasowo-truskawkowy

- 250 ml soku ananasowego
- 200 g truskawek
- 300 ml soku jabłkowego
- 4 kostki lodu

Kostki lodu kruszymy na stopniu Ice Crush/Clean. Truskawki myjemy i oddzielamy szypułki. Miksujemy na 2 stopniu. Następnie dodajemy pozostałe składniki i całość miksujemy na 1 stopniu.

Zupa andaluzyjska na zimno (Gazpacho)

- 1/2 ogórka
- 1 mięsisty pomidor
- 1 zielona papryka
- 1/2 cebula
- 1 ząbek czosnku
- 1/2 butki pszennej
- 1/2 łyżeczki soli
- 1 łyżeczka czerwonego octu winnego
- 1 łyżka oliwy z oliwek

Warzywa kroimy na kawałki o wielkości 2 cm. Do miksera wkładamy najpierw pomidory, a następnie ogórki. Warzywa miksujemy na 3 stopniu. Dodajemy pozostałe składniki i miksujemy/mieszamy całość na 3 stopniu, aż do uzyskania jednorodnej konsystencji zupy. Zupę podajemy z chlebem.

Wskazówka

Przepisy bez gwarancji. Wszystkie składniki i dane o przygotowaniu są wartościami orientacyjnymi. Uzupełnij niniejsze przepisy własnymi dodatkami.

Wskazówka

W przypadku nietolerancji laktozy zalecamy stosowanie mleka bezlaktozowego. Należy przy tym pamiętać, że mleko bezlaktozowe jest nieco słodsze.


Czyszczenie




Ostrożnie!

Przed przystąpieniem do czyszczenia miksera i jego elementów:

- Należy się upewnić, czy urządzenie jest wyłączone i wtyczka sieciowa jest wyjęta z gniazdka.



Bloku silnika  nie można w żadnym wypadku zanurzać w wodzie ani nie narażać w żaden innych sposób na działanie wilgoci. Może stwarzać to niebezpieczeństwo śmiertelnego porażenia prądem elektrycznym i uszkodzenia urządzenia.

- Nigdy nie otwieraj obudowy urządzenia. Inaczej zachodzi niebezpieczeństwo wypadku lub śmiertelne niebezpieczeństwo porażenia prądem.
- Nigdy nie zdejmuj noży  ani nigdy nie wkładaj rąk do nasadki miksującej . Noże  są bardzo ostre!
- Nigdy nie używaj rozpuszczalników ani środków szorujących do powierzchni z tworzywa sztucznego. Groziłoby to ich uszkodzeniem.

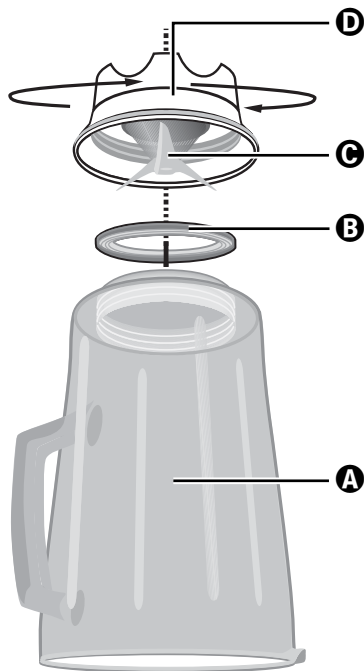
Czyszczenie nasadki miksującej

- ⇒ Nasadkę miksującą **3** czyść wyłącznie szczotką na długim drążku, by uniknąć dotykania noży **4** rękoma.
- ⇒ W celu usunięcia zaschniętych resztek produktów, nasadkę miksującą **3** można wymyć w zmywarce do naczyń. W tym celu nasadkę miksującą **3** zawsze rozłóż, jak opisano poniżej.
- ⇒ Pokrywkę **2** i przykrywkę otworu wlotowego **1** myj w zmywarce lub w zlewie.

Przy zachowaniu zasady mycia miksera bezpośrednio po użyciu, w większości wypadków uzyskuje się dostateczną czystość higieniczną poprzez następującą alternatywę:

- ⇒ Do końcówki miksującej **3** wlej 750 ml wody i dodaj kilka kropel łagodnego płynu do mycia naczyń. Załóż pokrywkę **2** i umieść końcówkę miksującą **3** na bloku silnika **7**. Podłącz wtyczkę do gniazdka sieciowego i kilka razy uruchom urządzenie w trybie Ice Crush/Clean tak, by noże tnące **4** z maksymalną prędkością przepłukały się w wodzie. Następnie końcówkę miksującą **3** przepłucz obficie wodą, aż do usunięcia pozostałości płynu do mycia naczyń.

Jeśli zanieczyszczenia nie zostaną usunięte, można odkręcić od części szklanej nasadki miksującej **3** dolny element plastikowy z nożami **4**:



- A** szklana część
- B** pierścień uszczelniający
- C** nóż
- D** plastikowa część

- ⇒ Zdejmij nasadkę miksującą **3** z bloku silnika **7**.
- ⇒ Otváčajte plastovú časť **D** nástavce mixéru **3** proti smeru hodinových ručičiek tak, že se dá uvoľniť ze sklené časti **A** nástavce mixéru **3**.

Uwaga!

Postępuj ostrożnie podczas czyszczenia noży **C**.
Noże są bardzo ostre. Zagrożenie odniesienia obrażeń!

- ⇒ Oba elementy wyczyść starannie wodą z płynem do mycia lub w zmywarce do naczyń.
- ⇒ Plastikowy element **D** załóż ponownie na część szklaną **A** nasadki miksującej **3**. Pamiętaj o prawidłowym założeniu pierścienia uszczelniającego **B**.

Czyszczenie bloku silnika

- ⇒ Do czyszczenia używaj suchej lub najwyżej delikatnie zwilżonej szmatki.
- ⇒ Przy każdym czyszczeniu sprawdź, czy resztki zanieczyszczeń nie blokują przełącznika stykowego w mocowaniu nasadki miksującej **3**. Gdy nie można usunąć kartką papieru ewentualnych zanieczyszczeń w narożnikach, zwrócić się do serwisu. Nigdy nie używaj twardych przedmiotów, ponieważ mogłyby one zniszczyć przełącznik stykowy.
- ⇒ Ewentualne zabrudzenia pod blokiem silnika **7** usuwaj wyłącznie suchą szmatką lub pędzelkiem. Uważaj, by przez otwory wentylacyjne do środka urządzenia nie przedostały się żadne przedmioty.

Po zakończeniu czyszczenia

Przed złożeniem miksera do ponownego użytku dokładnie wysusz wszystkie elementy.

Przechowywanie

- ⇒ Jeśli zamierzasz odstawić mikser na dłuższy okres czasu, dokładnie go wyczyść (patrz rozdział „Czyszczenie”).
- ⇒ Zwiń kabel sieciowy **6** w schowku **8** pod blokiem silnika **7**.
- ⇒ Mikser trzymaj w chłodnym, suchym miejscu.

Utylizacja



Urządzenia nie należy wyrzucać wraz z normalnymi odpadami domowymi. Niniejszy produkt podlega działaniom, przewidzianym w przepisach dyrektywy europejskiej 2012/19/EU.

Urządzenie należy usuwać w akredytowanych zakładach utylizacji odpadów lub komunalnych zakładach utylizacji odpadów.

Należy przestrzegać aktualnie obowiązujących przepisów. W razie pytań i wątpliwości odnośnie zasad utylizacji należy skontaktować się z najbliższym zakładem utylizacji odpadów.



Materiał opakowaniowy należy przekazywać do utylizacji zgodnie z przepisami o ochronie środowiska.

Gwarancja i serwis

Urządzenie objęte jest 3-letnią gwarancją, licząc od daty zakupu. Urządzenie zostało starannie wyprodukowane i poddane skrupulatnej kontroli przed wysyłką. Paragon należy zachować jako dowód dokonania zakupu. W przypadku roszczeń gwarancyjnych należy skontaktować się telefonicznie z serwisem. Tylko w ten sposób można zagwarantować bezpłatną wysyłkę zakupionego produktu. Gwarancja obejmuje wyłącznie wady materiałowe i fabryczne, natomiast nie obejmuje szkód powstałych podczas transportu, części ulegających zużyciu ani uszkodzeń części łatwo łamliwych/podatnych na uszkodzenia mechaniczne, np. wyłączników, akumulatorów. Produkt przeznaczony jest wyłącznie do użytku domowego, a nie do zastosowań profesjonalnych.

Gwarancja traci ważność w przypadku niewłaściwego używania urządzenia, używania niezgodnego z przeznaczeniem, użycia siły lub ingerencji w urządzenie dokonywanej poza naszymi autoryzowanymi punktami serwisowymi. Niniejsza gwarancja nie ogranicza ustawowych praw nabywcy urządzenia.

Okres gwarancji nie ulega wydłużeniu o czas trwania usługi gwarancyjnej. Dotyczy to również wymienionych i naprawionych części. Szkody i wady zauważone już w chwili zakupu należy zgłosić od razu po rozpakowaniu, nie później niż po upływie dwóch dni od daty zakupu. Po upływie okresu gwarancyjnego wszystkie naprawy będą wykonywane płatnie.

 **Serwis Polska**

Tel.: 22 397 4996

E-Mail: kompernass@lidl.pl

IAN 100484

Czas pracy infolinii:

od poniedziałku do piątku, w godzinach

08:00 - 20:00 czasu środkowoeuropejskiego

Importer

KOMPERNASS HANDELS GMBH

BURGSTRASSE 21

44867 BOCHUM

GERMANY

www.kompernass.com

TARTALOMJEGYZÉK

OLDALSZÁM

Bevezető	26
Rendeltetésszerű használat	26
A csomag tartalma	26
A készülék leírása	26
Műszaki adatok	26
Biztonsági utasítások	27
Kicsomagolás	29
Felállítás	29
Kezelés	29
A turmixedény megtöltése és rászzerelése	29
A sebességfokozat kiválasztása	29
Üzemelés közbeni betöltés	30
A turmixedény levétele	30
Hasznos tudnivalók	30
Receptek	31
Banánturmix	31
Vaníliaturmix	31
Cappucino turmix	31
Tropical-Mix	31
Mogyorónugátos turmix	31
Sárgarépa turmix	31
Ribizlis turmix	31
Hawaii turmix	32
Gyümölcsös ananászos-epres turmix	32
Andalúziai hideg leves (Gazpacho)	32
Tisztítás	32
A turmixedény tisztítása	33
A motoregység tisztítása	34
Tisztítás után	34
Tárolás	34
Ártalmatlanítás	34
Garancia és szerviz	34
Gyártja	35

Turmixgép

Bevezető

Gratulálunk új készüléke megvásárlásához.

Vásárlásával kiváló minőségű termék mellett döntött. A használati útmutató a termék része. Fontos tudnivalókat tartalmaz a biztonságra, használatra és ártalmatlanításra vonatkozólag. A termék használata előtt ismerkedjen meg a használati és biztonsági utasításokkal. Csak a leírtak szerint és a megadott célokra használja a terméket. A készülék harmadik személynek történő továbbadásakor adja a termékhez valamennyi leírást is.

Rendeltetésszerű használat

A készülék az alábbi célokra használható:

- élelmiszerek keverésére, pürésítésére és kavaráására, valamint jégkocka aprítására (ún. tört jéghez)
- kizárólag háztartásban hagyományos mennyiségben és csak magán házi használatra, száraz helyiségekben.

A készülék nem használható az alábbi célokra:

- kemény élelmiszerek aprítására, mint pl. csonthéjasok, magvak, nagy magok vagy szárak,
- nem élelmiszerek minősülő anyagok megmunkálására,
- kereskedelmi vagy ipari célokra,
- nedves környezetben vagy a szabadban való használatra,
- forró/forrásban lévő folyadékok feldolgozására.

Csak olyan tartozékokat és alkatrészeket használjon, amelyek ehhez a készülékhez készültek. Más alkatrészek esetleg nem eléggé felelnek meg vagy nem eléggé biztonságosak!

A csomag tartalma

Miután kicsomagolta a készüléket, ellenőrizze, hogy minden hiánytalan-e. A csomag tartalma:

- 1 x motoregység, hálózati vezetékkel és csatlakozóval
- 1 x turmixedény, fixen felszerelt vágókéssel
- 1 x fedél
- 1 x betöltőkupak
- 1 x használati útmutató

A készülék leírása

- 1 betöltőkupak
- 2 fedél
- 3 turmixedény
- 4 vágókés
- 5 kapcsoló
- 6 hálózati vezeték
- 7 motoregység
- 8 vezetékfelcsésvélő
- 9 mérce

Műszaki adatok

Névleges feszültség:	220 - 240 V~, 50 Hz
Névleges teljesítmény:	550 W
Max. betölthető mennyiség:	1,75 l
Védettségi osztály :	II <input type="checkbox"/>
Folyamatos használat:	3 perc

A rövid üzemeltetési idő azt jelzi, hogy mennyi ideig lehet üzemeltetni a készüléket a motor túlhevülése és károsodása nélkül. A megadott rövid üzemeltetési idő lejártá után a készüléket ki kell kapcsolni, amíg a motor szobahőmérsékletűre le nem hűl.

Biztonsági utasítások

⚠ Az elektromos áramütés okozta életveszély elkerülése érdekében:

- Gondoskodjon arról, hogy a motoregység, a hálózati kábel vagy a csatlakozó sohasem kerüljön vízbe vagy más folyadékba.
- A készüléket kizárólag száraz helyiségekben használja, soha nem a szabadban vagy nedves környezetben működtetni.
- Ügyeljen arra, hogy a hálózati vezeték ne legyen vizes vagy nedves üzemeltetés közben. Úgy helyezze el a vezetéket, hogy az ne szorulhasson be és más módon se sérülhessen meg.
- A veszélyek elkerülése érdekében a sérült hálózati csatlakozót vagy vezetéket azonnal cseréltesse ki engedéllyel rendelkező szakemberrel vagy az ügyfélszolgálattal.
- Használat után mindig húzza ki a csatlakozót a konnektorból. A kikapcsolás magában nem elegendő, mert a készülékben mindaddig hálózati feszültség van, amíg a hálózati csatlakozó be van dugva a konnektorba.
- Használat előtt mindig ellenőrizze, hogy a termék kifogástalan állapotban van-e. A készüléket nem szabad használni, ha látható kár keletkezett benne, különösen akkor, ha az a motoregységen vagy az üvegedényen van.
- Azonnal húzza ki a csatlakozót a konnektorból, ha szokatlan zajt ill. kellemetlen szagot észlel, vagy ha hibás működésre lesz figyelmes.

⚠ A túlhevülés és a tűzveszély elkerülésének érdekében:

- Ne használja a készüléket közvetlen napsugárzásnak vagy hőképző készülékek hőhatásának kitéve.
- Soha ne töltsön a turmixedénybe forró folyadékot! Először várja meg, amíg az langyosra kihűl. Máskülönben a készülék túlhevülhet és a turmixedény üvege is elpattanhat!
- Soha ne használja a készüléket üresen, azaz a turmixedényben mindig legyen valami.

⚠ Baleset- és sérülésveszély elkerülése érdekében:

- Soha ne nyúljon bele a turmixedénybe, különösen üzemelés közben ne.
A kés rendkívül éles!
- Ne nyissa fel a fedelet a készülék működése közben. Máskülönben az élelmiszer részei nagy sebességgel kirepülhetnek!
- Soha ne nyúljon evőeszközzel vagy keverő-kanállal a turmixedénybe a készülék működése közben. Súlyos balesetveszély áll fenn, ha ezek hozzáérintenek a gyorsan forgó késhez!
- Ne hagyja a készüléket felügyelet nélkül működni, hogy veszély esetén azonnal tudjon reagálni.
- Vigyázni kell a gyermekekre, hogy ne játsszanak a készülékkel.
- Ne használja a készüléket az ebben az útmutatóban leírtaktól eltérő célra.
- A készüléket felügyelet nélkül hagyva és az összeszerelés, a szétszedés vagy a tisztítás előtt mindig válassza le a hálózatról.
- A készüléket gyermekeknek nem szabad használni.
- A készüléket és csatlakozóvezetékét gyermekektől távol kell tartani.
- Ezt a készüléket korlátozott testi, érzékelési vagy szellemi képességgel rendelkező illetve tapasztalat és ismeret híján lévő személyek használhatják, ha felügyelet alatt állnak vagy a készülék biztonságos használatára betanították őket és az abból eredő veszélyeket megértették.
- Gyermekeknek nem szabad a készülékkel játszani.
- Legyen óvatos a készülék használata közben. A kések nagyon élesek!
- Óvatosan végezze a mixerfeltét üritését! A kések nagyon élesek!
- Óvatosan végezze a készülék tisztítását! A kések nagyon élesek!
- Kapcsolja ki a készüléket és húzza ki a hálózati csatlakozót, mielőtt tartozékokat cserél vagy olyan részekhez nyúl, amelyek működés közben mozognak.
- A turmixedényt csak a tartozékként kapott motoregységgel használja!
- Gondoskodjon arról, hogy a turmixgép legyen mindig kikapcsolva, mielőtt a turmixedényt leemeli a motoregységről!

Kicsomagolás

- Vegyen le a készülékről minden csomagolóanyagot és védőfóliát. Őrizze meg a csomagolást, hogy a készülék védetten legyen elrakva, vagy hogy abban tudja beküldeni, ha javítani kell.
- A készülék használata előtt győződjön meg arról, hogy a készülék nem sérült-e meg, valamint vizsgálja meg a kábelt, csatlakozót és valamennyi tartozék- és készülékrészt.
- Az első használat előtt alaposan tisztítsa meg a turmix valamennyi alkatrészét (lásd a „Tisztítás” fejezetnél).

Felállítás

Ha valamennyi alkatrészt megtisztította a „Tisztítás” fejezetben leírtak alapján,

- ⇒ állítsa fel a készüléket úgy, ...
- a kábelt **6** bújtsa át a hátoldalon lévő nyíláson,
 - hogy a csatlakozó azonnal elérhető legyen, ha veszély esetén ki kellene húzni a konnektorból.
 - hogy stabilan és csúszásmentesen álljon, hogy a tapadókorongok megtapadjanak, és a készülék nehogy felboruljon rezgés közben.
 - hogy a vezeték **6** ne nyúljon bele a munkaterületbe és nehogy véletlenül meghúzza a készülék eldőljön.

Kezelés

⚠ Figyelmeztetés!

A motor azonnal kikapcsol, ha leveszi a motoregységről **7** a turmixedényt **3**. Esetleg nem venné észre, hogy a gép még be van kapcsolva. Nem is gondolná, hogy a motor újra beindul, ha visszahelyezi a turmixedényt **3**.

Ezért:

- Csak akkor dugja be a csatlakozót a konnektorba, ha a turmixedényt **3** készre töltötte és lezárta.
- Összeszerelés előtt győződjön meg mindig arról, hogy a készülék ki van-e kapcsolva vagy hogy ki van-e húzva a csatlakozó.
- Először kapcsolja ki, húzza ki a csatlakozót és várja meg, amíg a motor megáll, mielőtt levénné a turmixedényt **3**.

A turmixedény megtöltése és rászzerelése

- ⇒ Vegye le a turmixot **3** a motoregységről **7** és vegye le a fedelét **2**.
- ⇒ Töltse meg a turmixot **3**, majd nyomja rá a fedelet **2**. Ügyeljen arra, hogy a turmixedényen **3** lévő kiöntő fül **3** le legyen zárva.
- ⇒ Dugja a betöltőkupakot **1** a fedél nyílásába és csukja be az óramutató járásával egy irányban.
- ⇒ Helyezze a készre töltött és lezárt turmixedényt **3** a motoregységre **7**. Enyhén fordítsa el a turmixedényt **3**, amíg le tudja nyomni. A motor csak akkor tud elindulni, ha a turmixedény **3** megfelelően illeszkedik.

A sebességfokozat kiválasztása

Ha a turmixedény **3** a motoregységre **7** helyezve meg van töltve és teljesen le van zárva, be lehet kapcsolni a készüléket.

⇒ Állítsa a kapcsolót **5** ...

- **1-3 fokozatra**
folyékony vagy közepesen szilárd élelmiszerekhez, keveréshez, pürésítéshez és kavaráshoz
- **3-5 fokozatra**
szilárdabb élelmiszerekhez vagy aprításához
- **Ice Crush/Clean fokozat**
rövid, erőteljes impulzus üzemmódhoz, pl. jégkocka aprításához vagy tisztításához. A kapcsoló **5** ebben a helyzetben nem akad be, hogy ne terhelje túl a motort. Ezért csak rövid ideig tartsa a kapcsolót **5** ebben a helyzetben.

i Tudnivaló

A keverőtálba **3** legfeljebb 180 g jégkockát töltsön. Ellenkező esetben a készülék nem aprítja fel a jégkockákat megfelelően.

Üzemelés közbeni betöltés

⚠ Figyelmeztetés!

Ha üzemelés közben szeretne még valamit betölteni, csak az erre alkalmas betöltőkupakot **1** nyithatja fel.

- Semmiképpen se a fedelet nyissa fel **2**! Máskülönben az élelmiszer darabjai nagy sebességgel ki-repülhetnek az edényből!
- A készülék működése közben soha ne nyúljon evőeszközzel vagy keverőkanállal a turmixedénybe **3**. Súlyos balesetveszély áll fenn, ha ezek hozzáérnének a gyorsan forgó késhez **4**!

Ha üzemelés közben valamit be szeretne tölteni, ...

- ⇒ fordítsa el a betöltőkupakot **1** az óramutató járásával ellentétes irányban és vegye ki.
- ⇒ Töltse ki a hozzávalókat.
- ⇒ Ezután ismét dugja a betöltőkupakot **1** a fedél nyílásába és csukja be az óramutató járásával megegyező irányban.

A turmixedény levétele

Ha a betöltött élelmiszer feldolgozása befejeződött:

- ⇒ Először mindig állítsa a kapcsolót **5** KI állásba („0”) és húzza ki a csatlakozót a konnektorból.
- ⇒ Várja meg, amíg a motor teljesen megáll, mielőtt egyenesen leemelné a turmixedényt **3**. Eközben a turmixfejet **3** nem kell elfordítani.

Hasznos tudnivalók

- Annak érdekében, hogy jól sikerüljön a szilárd hozzávalók pürésítése, egyenként csak kis adagokat töltsön a turmixedénybe **3**, nem pedig nagy mennyiséget egyszerre.
- Ha szilárd hozzávalókat dolgoz fel, aprítsa fel őket (2-3 cm).
- Folyékony hozzávalók turmixolásakor először mindig kis mennyiségű folyadékkal kezdje, majd a fedél nyílásán keresztül mindig töltsön bele egy kis folyadékot.
- A készüléket jól lehet rögzíteni, ha üzemelés közben kezét a lezárt turmixgépre helyezi.
- Szilárd vagy nagyon sűrű élelmiszerek keverésekor hasznos lehet, ha pulzáló üzemmódot használ, nehogy elakadjon a vágókés **4**.

i Tudnivaló

Ne használja a készüléket étkezési só, finomított cukor vagy fehércukor darálására, pl. porcukor előállítására.

Receptek

Banánturmix

2 banán

kb. 2 ek. cukor (a banán érettségétől és személyes ízlésünktől függően)

1/2 l tej

pár csepp citromlé

Hámozza meg a banánt és pépesítse a 2-es fokozaton. Lassan adja hozzá a tejet, majd a cukrot és végül a citromlevet. Mindezt addig keverje, míg egyenletes folyadék nem lesz.

Jéghidegre hűtve kínálja.

Vaníliaturmix

1/4 l tej

25 dkg vaníliafagylalt

1,25 dl jégkocka

1 1/2 tk. cukor

Törje össze jégkockát Ice Crush/Clean fokozaton.

Tegye a többi hozzávalót a turmixgépbbe. Mindezt addig keverje, míg egyenletes folyadék nem lesz.

Addig keverjen mindent a 2. fokozaton, amíg egyenletes folyadékot nem kap.

Cappucino turmix

65 ml hideg presszókávét

(vagy nagyon erős kávé)

65 ml tej

15 g cukor

65 ml vaníliafagylalt

1 dl aprított jégkocka

Törje össze jégkockát Ice Crush/Clean fokozaton.

Tegye hozzá a presszókávét, a tejet és a cukrot.

Mindezt keverje össze a 2-es fokozaton, míg a cukor fel nem oldódott. A végén adja hozzá a vaníliafagylaltot és mindent keverjen össze röviden 1-es fokozaton.

Tropical-Mix

125 ml ananászlé

60 ml papayalé

1/2 dl narancslé

1/2 kis doboz őszibarack lével

1,25 dl jégkocka

Törje össze jégkockát Ice Crush/Clean fokozaton.

Tegye a hozzávalókat a turmixba és keverje össze őket 3-as fokozaton.

Mogyorónugátos turmix

1/2 l tej

200 g mogyorónugát krém

1 gombóc vaníliafagylalt

0,5 dl tejszín

Keverje össze a hozzávalókat a turmixban 3-as fokozaton, míg minden egyenletesen el nem keveredett.

Sárgarépa turmix

3 dl almalé

5 dl sárgarépalé

4 ek. olaj (búzacsíra- vagy repceolaj)

4 ek. citromlé

gyömbérpor

bors

Tegye a turmixba az almalevet, az olajat és a citromlevet és keverje össze őket 2-es fokozaton. Ezután adja hozzá a sárgarépalévet és mindent keverjen össze 2-es fokozaton. Ízesítse a turmixot gyömbérporral és borsal.

Ribizlis turmix

2 tk. méz

2 banán

1/4 l író

1/4 l ribizlilé (fekete ribizliből)

Tegye a hozzávalókat a turmixba és keverje össze őket 3-as fokozaton.

Hawaii turmix

4 banán
1/4 l ananászlé
1/2 l tej
2 evőkanál méz
1/4 l rum

Hámozza meg a banánt és pépesítse 2-es fokozaton. Tegye hozzá a többi hozzávalót és mindent keverjen össze 1-es fokozaton. .

Gyümölcsös ananászos-epres turmix

250 ml ananászlé
200 g eper
3 dl almálé
4 jégkocka

Törje össze jégkockát Ice Crush/Clean fokozaton. Mossa meg az epret és vegye le a szárát. Pépesítse 2-es fokozaton. Tegye hozzá a többi hozzávalót és mindent keverjen össze 1-es fokozaton.

Andalúziai hideg leves (Gazpacho)

fél uborka
1 nagy húsos paradicsom
1 zöld paprika
1/2 fej hagyma
1 gerezd fokhagyma
fél fehér zsemle
fél tk. só
1 tk. vörösborecet
1 ek. olívaolaj

Vágja fel a zöldséget kb. 2 cm vastag darabokra. Először tegye bele a turmixba a paradicsomot, majd az uborkát. Pépesítse 3-as fokozaton. Adja hozzá a többi hozzávalót és pépesítse/keverje el az összeset 3-as fokozaton, míg egyenletes levest nem kap belőle.

Az egészet kenyérrel tálalja.

Tanács

A receptek sikerét nem garantáljuk. Valamennyi hozzávaló és elkészítési mód adata csak hozzávetőleges érték. Egésztse ki a receptajánlatokat személyes tapasztalataival.

Tanács

Laktóz intolerancia esetén laktózmentes tejet ajánlunk hozzá. Ha ilyen tejet használ, vegye figyelembe, hogy a laktózmentes tej kicsit édesebb.


Tisztítás




Vigyázat!

Mielőtt megtisztítaná a turmixgépet és részeit:

- Győződjön meg arról, hogy a készülék ki van kapcsolva és a hálózati csatlakozó ki van húzva.



A készüléket soha ne merítse vízbe vagy más folyadékba ! Áramütés veszélye miatt életveszély állhat fenn és a készülék megsérülhet.

- Soha ne nyissa ki a készülékházat! Ellenkező esetben halálos áramütés veszélye áll fenn.
- Soha ne szerelje le a kést  és ne nyúljon a turmixedénybe . A kés  rendkívül éles!
- Ne használjon oldószert vagy súrolószert a műanyag felületekhez, mert azok esetleg megsérülhetnek.

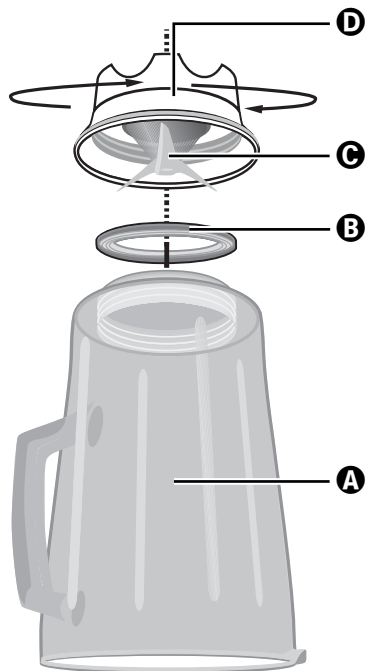
A turmixedény tisztítása

- ⇨ A turmixedényt **3** csak hosszúnyelű mosogatókefével tisztítsa, nehogy megsértse magát a késsel **4**.
- ⇨ Makacsabb szennyeződések esetén a turmixedényt **3** a mosogatógépben is lehet tisztítani. Ehhez a fentiek szerint mindig szedje szét a turmixedényt **3**.
- ⇨ A fedelet **2** és a betöltőkupakot **1** mosogatógépben tisztítsa vagy kézzel mossa el.

Ha a turmixgépet közvetlenül használat után tisztítja, a legtöbb esetben az alábbi módon elegendő higiénikus tisztaságot ér el az alábbi módon:

- ⇨ Töltse fel a mixert **3** 750 ml vízzel és tegyen bele pár csepp mosogatószer. Csukja le a fedelet **2** és tegye a mixert **3** a motorblokkra **7**. Dugja be a csatlakozót a dugaszoló aljba és nyomja meg párszor az Ice Crush/Clean üzemmód gombját, hogy a vágókés **4** maximális fordulatszámmal forogjon a vízben. Ezután tiszta vízzel öblítse el a mixert **3**, hogy ne maradjon benne mosogatószer.

Ha nem oldódna a szennyeződés, a turmixedény **3** alsó műanyag részét le lehet szedni a kést **4** tartalmazó üvegrészről:



- A** üvegrész
- B** Tesniaci krúžok
- C** Nôž
- D** Plastový diel

- ⇨ Vegye le a turmixedényt **3** a motoregységről **7**.
- ⇨ Csavarja el a turmix **3** a műanyag részét **D** az óramutató járásával ellentétes irányba, hogy le lehessen venni a turmix **3** üveges részéről **A**.

Figyelem!

Óvatosan bánjon a késsel **C**, mert nagyon éles. Sérülésveszély!

- ⇒ Mindkét részt alaposan tisztítsa meg enyhé szappanos vízben vagy a mosogatógépben.
- ⇒ A turmixedény **3** műanyag részét **D** helyezze a turmixedény **3** üveg részére **A**. Ügyeljen arra, hogy a tömítőgyűrű **B** bent legyen.

A motoregység tisztítása

- ⇒ A műanyagfelületek tisztítására használjon száraz vagy legfeljebb enyhén nedves kendőt.
- ⇒ Tisztításkor mindig ellenőrizze, hogy a érintkezőkapcsoló a turmixedény **3** befogójában nincsen-e eltömődve valamilyen szennyeződés által. Ha a szennyeződést nem lehet eltávolítani egy párpilap sarkával, forduljon ügyfélszolgálatunkhoz. Semmiképpen ne használjon kemény tárgyat, mert az kárt tehet az érintkező kapcsolóban.
- ⇒ A motoregység **7** alján lévő esetleges szennyeződések kizárólag száraz kendővel vagy porszívóval távolítsa el. Ügyeljen arra, hogy semmi se kerüljön a készülék szellőzőnyílásába.

Tisztítás után

Valamennyi részt jól szárítsa meg, mielőtt újra összerakná és használná a turmixgépet.

Tárolás

- ⇒ Ha hosszabb ideig nem használja a turmixgépet, alaposan tisztítsa meg (lásd a „Tisztítás” részben leírtak alapján).
- ⇒ Csatolja a hálózati vezetékét **6** a motoregység **7** talpán lévő vezetékcsévére **8**.
- ⇒ A turmixgépet száraz és hűvös helyen tárolja.

Ártalmatlanítás



Semmi esetre se dobja a készüléket a háztartási hulladékba. Jelen termékre a 2012/19/EU számú európai utasítás rendelkezési vonatkoznak.

A készüléket engedélyezett hulladékgyűjtő helyen vagy a helyi hulladéktároló üzemnél tudja kidobni.

Vegye figyelembe az érvényben lévő idevonatkozó előírásokat. Ha kérdése merülne fel, vegye fel a kapcsolatot a hulladékfeldolgozó vállalattal.



A csomagolóanyagot juttassa környezetvé-
dő ártalmatlanítóhelyre.

Garancia és szerviz

A készülékre 3 év garanciát adunk a vásárlás dátumától számítva. A készüléket gondosan gyártottuk, és szállítás előtt lelkiismeretesen ellenőriztük.

Kérjük, a vásárlás igazolására őrizze meg a pénztári blokkot. Kérjük, garanciaigény esetén vegye fel a kapcsolatot telefonon az Ön közelében lévő szervizzel. Csak ebben az esetben garantálhatjuk, hogy ingyen tudja beküldeni az árut.

A garancia csak anyag- és gyártási hibára vonatkozik, nem pedig szállítási kárra, kopásra vagy törékeny részek (pl. kapcsoló vagy elem) sérülésére. A termék kizárólag magánhasználatra, nem üzleti használatra készült.

A garancia érvényét veszti visszaélészerű vagy szakavatlan kezelés, erőszak alkalmazása vagy olyan beavatkozások esetén, amelyeket nem engedélyezett szervizelő üzleteink hajtottak végre. Az ön törvényes jogait ez a garancia nem korlátozza. A garanciaidő nem hosszabbodik a jótállással. Ez a kicserélt vagy javított alkatrészekre is érvényes.

Az esetlegesen már a megvételkor meglévő károkat és hiányosságokat azonnal kicsomagolás után, legkésőbb két nappal a vétel dátumától számítva jelezni kell. A garanciális idő lejárta után esedékes javítások térítéskötelesek.

 Szerviz Magyarország

Tel.: 0640 102785

E-Mail: kompernass@lidl.hu

IAN 100484

Az ügyfélszolgálati forródrót elérhetősége:

hétfőtől péntekig 8.00 és 20.00 óra között

(közép-európai idő szerint)

Gyártja

KOMPERNASS HANDELS GMBH

BURGSTRASSE 21

44867 BOCHUM

GERMANY

www.kompernass.com

KAZALO VSEBINE

STRAN

Uvod	38
Predvidena uporaba	38
Obseg dobave	38
Opis naprave	38
Tehnični podatki	38
Varnostni napotki	39
Jemanje iz embalaže	41
Namestititev	41
Uporaba	41
Polnjenje in namestititev mešalnega nastavka	41
Izbira stopnje hitrosti	42
Polnjenje med delovanjem	42
Odstranitev mešalnega nastavka	42
Koristni napotki	42
Recepti	43
Banantin frape	43
Vanilijev frape	43
Frage Cappuccino	43
Napitek s tropskimi sadeži	43
Lešnikov frape	43
Korenčkov frape	43
Ribezov napitek	43
Frage Hawaii	44
Osvežilni napitek z ananasom in jagodami	44
Andaluzijska hladna juha (gazpačo)	44
Čiščenje	44
Čiščenje mešalnega nastavka	45
Čiščenje motornega bloka	46
Po čiščenju	46
Shranjevanje	46
Odstranitev	46
Proizvajalec	46
Servis	46
Garancijski list	47

Stoječi mešalnik

Uvod

Iskrene čestitke ob nakupu vaše nove naprave. Odločili ste se za kakovosten izdelek. Ta navodila za uporabo so sestavni del vašega izdelka. Vsebujejo pomembne napotke za njegovo varnost, uporabo in odstranitev. Preden izdelek začnete uporabljati, si preberite vse napotke za njegovo varno uporabo. Izdelek uporabljajte samo na opisani način in le za navedena področja uporabe. Ob predaji naprave tretji osebi zraven priložite tudi vso dokumentacijo.

Predvidena uporaba

Ta naprava je namenjena za ...

- mešanje in tlačenje živil ter sekljanje ledenih kock (t.i. "Crushen"),
- izključno za v gospodinjstvu običajne količine in le za privatno uporabo doma, v suhih prostorih.

Ta naprava ni namenjena za ...

- sekljanje trdih živil, kot so oreški, jedrca, velika zrna ali peclji,
- predelavo materialov, ki niso živila,
- uporabo za obrtne in industrijske namene,
- uporabo v vlažni okolici ali na prostem,
- obdelavo vročih/vrelih tekočin.

Uporabite le dele pribora in nadomestne dele, ki so namenjeni za to napravo. Drugi deli mogoče niso dovolj primerni ali varni!

Obseg dobave


Po razpakiranju preverite, ali so prisotni čisto vsi deli. Komplet obsega:

- 1 x motorni blok, z omrežnim kablom in omrežnim vtičem
- 1 x mešalni nastavek, s fiksno montiranim rezilom
- 1 x pokrov
- 1 x polnilni pokrovček
- 1 x navodila za uporabo

Opis naprave

- 1 Polnilni pokrovček
- 2 Pokrov
- 3 Mešalni nastavek
- 4 Rezilo
- 5 Stikalo
- 6 Električni kabel
- 7 Motorni blok
- 8 Navitje kabla
- 9 Skala

Tehnični podatki

Nazivna napetost:	220 - 2 40 V ~, 50 Hz
Nazivna moč:	550 W
Maks. kapaciteta za polnjenje:	1,75 l
Razred zaščite:	II 
Čas kratkotrajne uporabe:	3 minute

Čas kratkotrajne uporabe pomeni najdaljši čas delovanja motorja, preden se motor pregreje in poškoduje. Ko čas najdaljšega enkratnega delovanja poteče, je potrebno napravo izklopiti in pustiti izklopljeno tako dolgo, dokler se motor ne ohladi na sobno temperaturo.

Varnostni napotki

⚠ Da se izognete smrtni nevarnosti zaradi električnega udara:

- Preprečujte potopitev motornega bloka, omrežnega kabla ali omrežnega vtiča v vodo ali druge tekočine.
- Napravo uporabljajte izključno v suhih prostorih, nikoli pa ne na prostem ali v vlažni okolici.
- Zmeraj pazite na to, da se omrežni kabel ne namoči ali navlaži. Kabel speljite tako, da se nikjer ne zatika in da se ga ne da poškodovati na kak drugačen način.
- Poškodovane omrežne vtiče ali omrežne kable naj vam takoj zamenja pooblaščen strokovno osebje ali servisna služba, da se izognete nevarnosti.
- Po uporabi vtič zmeraj potegnite iz vtičnice. Izkllop sam ne zadostuje, ker je aparat pod električno napetostjo, dokler je električni vtič priključen v električno vtičnico.
- Pred vsako uporabo napravo preverite glede njenega brezhibnega stanja. Naprave ne smete uporabljati, če je na njej vidna škoda, še posebej na motornem bloku ali steklenem mešalnem nastavku.
- Omrežni vtič takoj potegnite iz vtičnice, če zaznate nastajanje neobičajnega hrupa ali vonja ali odkrijete napake pri delovanju.

⚠ Za preprečevanje nevarnosti pregretja in požara:

- Naprave ne uporabljajte na območju direktnih sončnih žarkov ali toplotnega vpliva naprav, ki proizvajajo vročino.
- V mešalni nastavek nikoli ne dajajte vrelih snovi! Pustite jih, da se najprej ohladijo na sobno temperaturo. Drugače se naprava lahko pregreje in steklo mešalnega nastavka počí!
- Naprava nikoli ne sme delovati prazna, torej brez sestavin v mešalnem nastavku.

⚠ Za preprečevanje nevarnosti požara in poškodb:

- Nikoli ne segajte v mešalni nastavek, še posebej ne med obratovanjem. Rezila so izjemno ostr!
- Med delovanjem naprave ne odpirajte pokrova. Drugače lahko ven priletijo kosi živila z visoko hitrostjo!
- V mešalni nastavek nikoli ne vstavljajte delov pribora ali mešalne priprave, dokler naprava deluje. Obstaja bistvena nevarnost poškodb, če ti pridejo v stik z zelo hitrimi rezili, ki se vrtijo!
- Naprave ne puščajte delovati brez nadzora, da lahko v primeru nevarnosti takoj reagirate.
- Otroke je treba nadzorovati, da preprečite igro z napravo.
- Naprave nikoli ne zlorablajte za druge namene, kot so opisani v teh navodilih.
- Kadar naprava ni pod nadzorom in preden jo začnete sestavljati, razstavljati ali čistiti, jo vedno ločite od omrežja.
- Otroci naprave ne smejo uporabljati.
- Napravo in njen priključni kabel je treba hraniti zunaj dosega otrok.
- Osebe z omejenimi fizičnimi, zaznavnimi ali duševnimi sposobnostmi ali s pomanjkljivimi izkušnjami in/ali znanjem smejo to napravo uporabljati le, če jih pri tem nekdo nadzoruje ali jih je poučil o varni uporabi naprave in so razumele nevarnosti, ki izhajajo iz tega.
- Otroci se ne smejo igrati z napravo.
- Pri delu z napravo bodite previdni. Rezila so zelo ostr!
- Bodite previdni pri praznjenju nastavka za mešanje! Rezila so zelo ostr!
- Bodite previdni pri čiščenju naprave! Rezila so zelo ostr!
- Napravo izklopite in izvlecite električni vtič iz vtičnice, preden začnete menjavati pribor ali primete za dele, ki se med delovanjem premikajo.
- Mešalni nastavek uporabljajte samo s priloženim motornim blokom!
- Vedno preverite, ali je mešalnik izklopljen, preden mešalni nastavek dvignete z motornega bloka!

Jemanje iz embalaže

- Z naprave odstranite vso embalažo in zaščitno folijo. Embalažo shranite, da napravo lahko zaščitite pri shranjevanju ali pošiljanju, npr. v primeru potrebnega popravila.
- Pred uporabo naprave preverite, ali je ta nepoškodovana, ravno tako preverite omrežni kabel z omrežnim vtičem in vse dele pribora in naprave.
- Pred prvo uporabo stoječega mešalnika skrbno očistite vse njegove sestavne dele (glejte pod "Čiščenje").

Namestitev

Ko ste očistili vse dele, kot je opisano pod "Čiščenje":

- ⇒ Napravo postavite tako, ...
- da omrežni kabel **6** speljete skozi odprtino na hrbtni strani,
 - da je omrežni vtič takoj dosegljiv, da ga v primeru nevarnosti lahko potegnete iz vtičnice,
 - da stoji stabilno in ne drsi, tako da se sesalni nastavki dobro oprijemajo podlage in se naprava ne more prevrniti zaradi tresenja,
 - da kabel **6** ne sega v delovno območje in se zaradi nehotenega potega zanj naprava ne more zvrniti.

Uporaba

⚠ **Opozorilo!**

Motor se izklopi, kakor hitro mešalni nastavek **3** odstranite z motornega bloka **7**. Pri tem je možno spregledati, da je stroj še vklopljen. Motor se potem nepričakovano zažene, kakor hitro je mešalni nastavek **3** montiran.

Zato:

- Omrežni vtič v vtičnico vtaknite šele, ko je mešalni nastavek **3** napolnjen in popolnoma zaprt.
- Pred montažo se zmeraj prepričajte, da je naprava izklopljena ali omrežni vtič potegnjjen iz vtičnice.
- Napravo najprej izklopite, omrežni vtič potegnite ven in potem počakajte, da se motor zaustavi, preden mešalni nastavek **3** snamete.

Polnjenje in namestitev mešalnega nastavka

- ⇒ Snemite mešalni nastavek **3** z motornega bloka **7** in odstranite pokrov **2**.
- ⇒ Mešalni nastavek **3** napolnite, potem pa pokrov **2** ponovno trdno pritisnite na mešalni nastavek **3**. Pazite na to, da je zaprt tudi nastavek za izlivanje na mešalnem nastavku **3**.
- ⇒ Polnilni pokrovček **1** vtaknite v odprtino v pokrovu in ga privijte v smeri urnega kazalca.
- ⇒ Napolnjen in zaprt mešalni nastavek **3** namestite na motorni blok **7**. Mešalni nastavek **3** rahlo zasukajte, dokler ga ne morete pritisniti navzdol. Samo, ko je mešalni nastavek **3** nameščen stično in brez rež, motor lahko zaženete.

Izbira stopnje hitrosti

Ko je mešalni nastavek ❸ napolnjen in popolnoma zaprt in se nahaja na motornem bloku ❷, napravo lahko vklopite.

⇨ Stikalo ❹ prestavite na ...

- stopnja 1–3

za tekoča ali srednje trdna živila, za mešanje in tlačenje

- stopnja 3–5

za trdnejša živila ali za sekljanje

- stopnja Ice Crush/Clean

za kratko, močno impulzno obratovanje, npr. za drobljenje ledenih kock ali za čiščenje.

Stikalo ❹ se v tem položaju ne zaskoči in tako ne pride do preobremenitve motorja. Zato stikalo ❹ v tem položaju držite le na kratko.

❶ **Napotek**

Mešalni nastavek ❸ napolnite z največ 180 g ledenih kock. Drugače naprava ledenih kock ne bo v celoti zdrobila.

Polnjenje med delovanjem

⚠ **Opozorilo!**

Če bi med delovanjem radi še kaj dodali, smete pri tem odpreti izključno le za to predviden polnilni pokrovček ❶.

- Pokrova ❷ nikakor ne odpirajte. Drugače lahko ven priletijo kosi živila z visoko hitrostjo!
- V mešalni nastavek ❸ nikoli ne vstavljajte delov pribora ali mešalne priprave, dokler naprava deluje. Obstaja bistvena nevarnost poškodb, če ti pridejo v stik z zelo hitrimi rezili ❹, ki se vrtijo!

Za dolivanje med delovanjem, ...

⇨ polnilni pokrovček ❶ odvijte v obratni smeri urnega kazalca in ga odzemetite.

⇨ Izpolnite sestavin.

⇨ Potem polnilni pokrovček ❶ ponovno vtaknite v odprtino v pokrovu in ga privijte v smeri urnega kazalca.

Odstranitev mešalnega nastavka

Ko je obdelava živil v mešalnem nastavku končana:

⇨ Zmeraj najprej stikalo ❹ prestavite v položaj za izklop („OFF“) in omrežni vtič vtaknite v vtičnico.

⇨ Najprej počakajte, da se motor zaustavi, preden mešalni nastavek ❸ snamete v smeri navzgor.

Mešalnega nastavka ❸ pri tem ni treba obračati.

Koristni napotki

- Za doseganje najboljših rezultatov pri tlačenju trdnih sestavin enega za drugim v mešalni nastavek ❸ dajajte manjše deleže, namesto da bi naenkrat dodali veliko količino.
- Pri predelavi trdnih sestavin te narežite na manjše kose (2–3 cm).
- Pri mešanju tekočih sestavin najprej začnite z manjšo količino tekočine. Skozi odprtino v pokrovu potem počasi dodajajte še ostanek tekočine.
- Če med tekočim delovanjem na zaprt stoječi mešalnik položite roko, tako napravo lahko dobro stabilizirate.
- Pri mešanju trdnih ali zelo gostih živil je lahko koristna uporaba pulznega obratovanja, da preprečite zaustavitev in zataknitev rezila ❹.

❶ **Napotek**

Naprave ne uporabljajte za drobljenje jedilne soli, trsnega sladkorja ali belega sladkorja. Na primer za izdelavo sladkorja v prahu.

Recepti

Bananin frape

2 banani

pribl. 2 jedilni žlici sladkorja (količina je odvisna od zrelosti banan in osebnega okusa)

1/2 litra mleka

1 brizg limoninega soka

Olupite banane in jih zmečkajte na stopnji 2. Postopoma jim dodajajte mleko, nato pa dodajte še sladkor in limonin sok. Vse skupaj mešajte tako dolgo, dokler ne nastane enakomerno zmešana tekočina. Frape postrezite ledeno mrzel.

Vanilijev frape

1/4 litra mleka

250 g vanilijevega sladoleda

125 ml ledenih kock

1 1/2 čajne žličke sladkorja

Zdrobite ledene kocke na stopnji Ice Crush/Clean. Ostale sestavine dajte v mešalnik. Vse skupaj tako dolgo mešajte na stopnji 2, da nastane enakomerna tekočina.

Frage Cappucino

65 ml hladnega espressa (ali zelo močne kave)

65 ml mleka

15 g sladkorja

65 ml vanilijevega sladoleda

100 ml zdrobljenih ledenih kock

Zdrobite ledene kocke na stopnji Ice Crush/Clean. Dodajte jim espresso, mleko in sladkor. Vse skupaj zmešajte na stopnji 2, dokler se sladkor ne raztopi. Na koncu dodajte vanilijev sladkor in vse skupaj premešajte na stopnji 1.

Napitek s tropskimi sadeži

125 ml ananasovega soka

60 ml papajinega soka

50 ml pomarančnega soka

1/2 manjša konzerva z breskvami v soku

125 ml ledenih kock

Zdrobite ledene kocke na stopnji Ice Crush/Clean. Vse sestavine dajte v mešalnik in vse skupaj premešajte na stopnji 3.

Lešnikov frape

1/2 litra mleka

200 g lešnikovega namaza

1 kepica vanilijevega sladoleda

50 ml smetane

Zmešajte vse sestavine v mešalniku na stopnji 3, dokler niso enakomerno pomešane med sabo.

Korenčkov frape

300 ml jabolčnega soka

500 ml korenčkovega soka

4 jedilne žlice olja (olja iz pšeničnih kalčkov ali repičnega olja)

4 jedilne žlice limoninega soka

Mleti ingver

Poper

Dajte jabolčni sok, olje in limonin sok v mešalnik in vse skupaj zmešajte na stopnji 2. Potem dodajte korenčkov sok in vse skupaj premešajte na stopnji 2. Frape začinite z mletim ingverjem in poprom.

Ribezov napitek

2 čajni žlički medu

2 banani

1/4 litra pinjenca

1/4 litra ribezovega soka (črni ribez)

Vse sestavine dajte v mešalnik in vse skupaj premešajte na stopnji 3.

Frape Hawaii

- 4 banane
- 1/4 litra ananasovega soka
- 1/2 litra mleka
- 2 jedilni žlici medu
- 1/4 litra ruma

Olupite banane in jih zmečkajte na stopnji 2. Dodajte še ostale sestavine in vse skupaj zmešajte na stopnji 1.

Osvežilni napitek z ananasom in jagodami

- 250 ml ananasovega soka
- 200 g jagod
- 300 ml jabolčnega soka
- 4 ledene kocke

Zdrobite ledene kocke na stopnji Ice Crush/Clean. Operite jagode in odstranite zelene dele. Zmečkajte jih na stopnji 2. Potem dodajte preostale sestavine in vse skupaj premešajte na stopnji 1.

Andaluzijska hladna juha (gazpačo)

- 1/2 kumare
- 1 mesnati paradižnik
- 1 zelena paprika
- 1/2 čebule
- 1 strok česna
- 1/2 bele žemljice
- 1/2 čajne žličke soli
- 1 čajna žlička rdečega vinskega kisa
- 1 jedilna žlica olivnega olja

Narežite zelenjavo na okrog 2 cm velike koščke. Dajte v mešalnik koščke paradižnika, nato pa še koščke kumare. Zmečkajte jih na stopnji 3. Dodajte preostale sestavine in vse skupaj zmečkajte/premešajte na stopnji 3, tako da nastane enakomerno zmešana juha.

Juho postrežite s kruhom.

Napotek

Vsi recepti so brez zagotovila za uspeh. Vse sestavine in podatki o pripravi so okvirne navedbe. Predloge za recepte lahko dopolnite s svojimi izkušnjami.






Napotek

V primeru občutljivosti na mlečni sladkor vam priporočamo uporabo mleka brez laktoze. Pri tem pa velja, da je mleko brez laktoze malce slajšega okusa.

Čiščenje

Previdno!

Preden stoječi mešalnik in njegove dele začnete čistiti:

- Zagotovite, da je naprava izklopljena in omrežni vtič potegnen iz vtičnice.
-  Motornega bloka  nikakor ne smete potopiti v vodo ali druge tekočine. Drugače lahko pride do smrtne nevarnosti zaradi električnega udara in poškodbe naprave.
- Ohišja naprave nikoli ne odpirajte. Drugače lahko pride do smrtne nevarnosti zaradi električnega udara.
- Rezila  nikoli ne demontirajte in nikoli ne segajte v mešalni nastavek . Rezila  so izjemno ostr!
- Ne uporabljajte topil ali grobih čistil za površine iz umetne snovi, ker bi se te lahko poškodovale.

Čiščenje mešalnega nastavka

- ⇒ Mešalni nastavek **3** čistite le s pomivalno krtačo z dolgim ročajem, da se na rezilu **4** ne morete poškodovati.
- ⇒ V primeru trdovratne umazanije mešalni nastavek **3** lahko očistite tudi v pomivalnem stroju. Mešalni nastavek **3** v ta namen zmeraj razstavite, kot je opisano spodaj.
- ⇒ Pokrov **2** in polnilni pokrovček **1** očistite v pomivalnem stroju ali med normalnim pomivanjem posode.

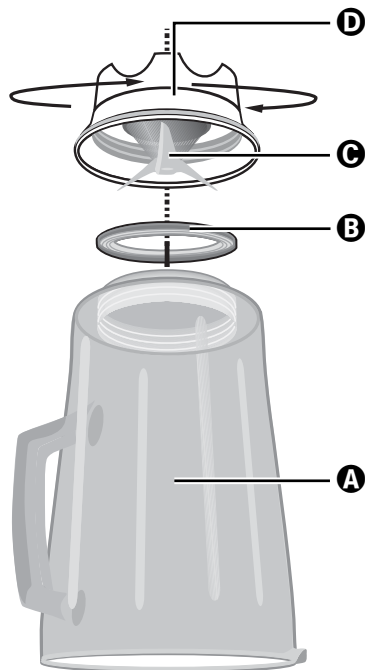
Če takoj po uporabi želite očistiti stoječi mešalnik, lahko zadostno higiensko čiščilo v večini primerov dosežete z naslednjo alternativo:

- ⇒ Mešalni nastavek **3** napolnite s 750 ml vode in dodajte nekaj kapljic blagega sredstva za pomivanje. Zaprite pokrov **2** in mešalni nastavek **3** namestite na motorni blok **7**.

Vtaknite omrežni vtič v vtičnico in nekajkrat sprožite delovanje za drobljenje ledu/čiščenje, tako da rezilo **4** vodo premeša z največjim številom vrtljajev.

Potem mešalni nastavek **3** izperite z veliko čiste vode, da tako odstranite vse ostanke sredstva za pomivanje.

Če se umazanija ne bi dala odstraniti, lahko spodnji plastični del mešalnega nastavka **3** z rezili **4** ločite od steklenega dela mešalnega nastavka **3**:



- A** Stekleni del
- B** Okroglo tesnilo
- C** Rezilo
- D** Plastični del

- ⇒ Mešalni nastavek **3** odstranite z motornega bloka **7**.
- ⇒ Obrnite plastični del **D** mešalnega nastavka **3** v obratni smeri urnega kazalca, tako da ga lahko ločite od steklenega dela **A** mešalnega nastavka **3**.

Pozor!

Z rezili **C** ravnajte zelo previdno. So zelo ostra. Nevarnost poškodbe!

- ⇒ Oba dela temeljito očistite v blagem čistilu ali v pomivalnem stroju.
- ⇒ Plastični del **D** mešalnega nastavka **3** ponovno namestite na stekleni del **A** mešalnega nastavka **3**. Pazite na to, da je tesnilo **B** vstavljeno.

Čiščenje motornega bloka

- ⇒ Uporabite suho ali le malce navlaženo krpo, da očistite površine iz umetne snovi.
- ⇒ Pri vsakem čiščenju preverite, da kontaktno stikalo v sprejemnem nastavku za mešalni nastavek **3** ni blokirano zaradi ostankov umazanije. Če morebitnih blokad ne bi mogli odstraniti z robom papirja, se obrnite na servisno službo. Nikakor ne uporabljajte trdih predmetov, ker bi se kontaktno stikalo zaradi tega lahko poškodovalo.
- ⇒ Morebitno umazanijo na spodnji strani motornega bloka **7** odstranite izključno s suho krpo ali čopičem za prah. Pazite na to, da skozi prezračevalne odprtine na napravi vanjo ne morejo zaiti tujki.

Po čiščenju

Vse dele pustite, da se dobro posušijo, preden stojечи mešalnik ponovno sestavite in uporabite.

Shranjevanje

- ⇒ Če stojече mešalnika dlje časa ne uporabljate, ga temeljito očistite (glejte poglavje „Čiščenje“).
- ⇒ Omrežni kabel **6** navijte okoli navitja kabla **8** na dnu motornega bloka **7**.
- ⇒ Stojечи mešalnik uporabljajte na hladnem, suhem mestu.

Odstranitev



Naprave v nobenem primeru ne odvzrite v običajne hišne smeti. Ta proizvod je podvržen evropski Direktivi 2012/19/EU.

Napravo oddajte pri podjetju, registriranem za predelavo odpadkov, ali pri svojem komunalnem podjetju za predelavo odpadkov. Upoštevajte trenutno veljavne predpise. V primeru dvoma se obrnite na svoje podjetje za predelavo odpadkov.



Embalazo oddajte za okolju primerno odstranitev.

Proizvajalec

KOMPERNASS HANDELS GMBH
BURGSTRASSE 21
44867 BOCHUM
GERMANY
www.kompernass.com

Servis

 **Servis Slovenija**

Tel.: 080080917

E-Mail: kompernass@lidl.si

IAN 100484

Dosegljivost telefonske službe za stranke:

Od ponedeljka do petka od 8:00 do 20:00 (po srednjeevropskem času)

Garancijski list

1. S tem garancijskim listom jamčimo Kompernass Handels GmbH, da bo izdelek v garancijskem roku ob normalni in pravilni uporabi brezhibno deloval in se zavezujemo, da bomo ob izpolnitih spodaj navedenih pogojih odpravili morebitne pomanjkljivosti in okvare zaradi napak v materialni izdelavi oz. po svoji presoji izdelek zamenjali ali vrnili kupnino.
2. Garancija je veljavna na ozemlju Republike Slovenije.
3. Garancijski rok za proizvod je 3 leta od dneva nabave.
4. Kupec je dolžan okvaro javiti pooblaščenemu servisu oz. se informirati o nadaljnjih postopkih na zgoraj navedeni telefonski številki. Svetujemo vam, da pred tem natančno preberete navodila o sestavi in uporabi izdelka.
5. Kupec je dolžan pooblaščenemu servisu predložiti garancijski list in račun, kot potrdilo in dokazilo o nakupu.
6. V primeru, da proizvod popravlja nepooblaščen servis ali oseba, kupec ne more uveljavljati zahtevkov iz te garancije.
7. Vzroki za okvaro oz. nedelovanje izdelka morajo biti lastnosti stvari same, in ne vzroki, ki so zunaj proizvajalčeve oz. prodajalčeve sfere. Kupec ne more uveljavljati zahtevkov iz te garancije, če se ni držal priloženih navodil za sestavo in uporabo izdelka ali, če je izdelek kakorkoli spremenjen ali nepravilno vzdrževan.
8. Jamčimo servisiranje in rezervne dele za minimalno dobo, ki je zahtevana s strani zakonodaje.
9. Obrabni deli oz. potrošni material so izvzeti iz garancije.
10. Vsi potrebni podatki za uveljavljanje garancije se nahajajo na dveh ločenih dokumentih (garancijski list, račun).
11. Ta garancija proizvajalca ne izključuje pravic potrošnika, ki izhajajo iz odgovornosti prodajalca za napake na blagu.

Prodajalec:

Lidl d.o.o.k.d., Pod lipami 1, SI-1218 Komenda

OBSAH

STRANA

Úvod	50
Účel použití	50
Obsah balení	50
Popis přístroje	50
Technické údaje	50
Bezpečnost	51
Vybalení	53
Umístění	53
Obsluha	53
Naplnění a montáž mixovacího nástavce	53
Volba rychlosti	54
Plnění za provozu	54
Sejmutí mixovacího nástavce	54
Užitečné pokyny	54
Recepty	55
Banánový shake	55
Vanilkový shake	55
Cappuccino shake	55
Tropical mix	55
Nugátovo-ořechový shake	55
Mrkvový shake	55
Rybízový mix	55
Hawaii shake	56
Ovocný ananasovo-jahodový mix	56
Andaluská studená polévka (gazpacho)	56
Čištění	56
Čištění mixovacího nástavce	57
Čištění bloku motoru	58
Po čištění	58
Úschova	58
Likvidace	58
Záruka & servis	58
Dovozce	59

Úvod

Gratulujeme!

Vám k zakoupení nového přístroje. Vaším nákupem jste si vybrali kvalitní výrobek. Návod k obsluze je součástí tohoto výrobku. Obsahuje důležité pokyny a upozornění ohledně bezpečnosti, použití a likvidace. Před použitím výrobku si dobře přečtěte provozní a bezpečnostní pokyny. Výrobek používejte pouze předepsaným způsobem a v uvedených oblastech použití. Při předávání výrobku třetím osobám předávejte i tyto podklady.

Účel použití

Tento přístroj je určen k ...

- míchání a rozmělnění potravin a drcení ledových kostek (tzv. ice-crash),
- soukromému domácímu použití v suchých místnostech, pro potraviny v běžném množství.

Tento přístroj není určen ke...

- drcení tvrdých potravin, jako např. ořechů, jader, velkých zrnin nebo stonků rostlin,
- zpracování materiálů, které nejsou potravinami,
- živnostenské nebo průmyslové použití,
- použití ve vlhkém prostředí nebo venku,
- zpracování horkých/vroucích tekutin.

Používejte pouze příslušenství a náhradní díly, které jsou určeny pro tento přístroj. Jiné díly nemusí být dostatečně vhodné nebo bezpečné!

Obsah balení

Po vybalení zkontrolujte kompletnost dodávky.


Balení obsahuje:

- 1x blok motoru se síťovým kabelem a zástrčkou
- 1x mixovací nástavec s pevně namontovaným řezacím nožem
- 1x víko
- 1x plnicí kryt
- 1x návod k obsluze

Popis přístroje

- 1 Plnicí kryt
- 2 Víko
- 3 Mixovací nástavec
- 4 Řezací nůž
- 5 Spínač
- 6 Síťový kabel
- 7 Blok motoru
- 8 Navíjení kabelu
- 9 Stupnice

Technické údaje

Jmenovité napětí:	220 - 240 V ~, 50 Hz
Jmenovitý výkon:	550 Watt
Max. možnost naplnění:	1,75 l
Třída ochrany:	II 
Doba nepřetržitého mixování:	3 minuty

Krátká provozní doba udává, jak dlouho je možné s přístrojem pracovat, aniž by se přehřál, a tím poškodil motor. Po uplynutí udané krátké provozní doby musí zůstat přístroj vypnutý do té doby, než motor zchladne.

⚠ Abyste zabránili ohrožení života úderem elektrickým proudem:

- Zajistěte, aby nikdy nedošlo k ponoření bloku motoru, síťového kabelu nebo síťové zástrčky do vody nebo do jiné tekutiny.
- Používejte přístroj výhradně v suchých místnostech, nikdy venku nebo ve vlhkém prostředí.
- Dbejte na to, aby přívodní kabel během provozu nikdy neprovlhnul. Veďte jej tak, aby se nikde nemohl zachytit nebo jinak poškodit.
- Poškozené zástrčky nebo síťový kabel nechte ihned vyměnit autorizovanými odborníky nebo zákaznickým servisem - vyhněte se tím nebezpečí.
- Po použití zástrčku vždy vytáhněte ze zásuvky. Samotné vypnutí nestačí, neboť je-li zástrčka zapojena do síťové zásuvky, je v přístroji stále síťové napětí.
- Před každým použitím zkontrolujte, jestli je přístroj v bezvadném stavu. Přístroj nelze použít, je-li na něm patrné poškození, zvláště na bloku motoru nebo skleněném mixovacím nástavci.
- Bude-li přístroj vydávat neobvyklé zvuky nebo zápach, resp. nebude-li správně fungovat, vytáhněte ihned zástrčku ze zásuvky.

Abyste zabránili přehřátí a nebezpečí požáru:

- Nepoužívejte přístroj v místě přímého slunečního záření nebo v tepelném dosahu zařízení generujících teplo.
- Nikdy do mixovacího nástavce nelijte vařící tekutiny! Nechte je nejprve zchladnout na vlažnou teplotu. Jinak se může přístroj přehřát a sklo mixovacího nástavce může prasknout!
- Neprovozujte nikdy přístroj v prázdném stavu, t.j. bez přísad v mixovacím nástavci.

⚠ Abyste zabránili nebezpečí úrazu a zranění:

- Nesahejte nikdy do mixovacího nástavce, zejména ne za provozu. Nože jsou extrémně ostré!
- Pokud je zařízení v chodu, víko neotvírejte. V opačném případě mohou kousky potravin vysokou rychlostí vylétnout z nástavce!
- Nikdy nestrkejte do nástavce části příborů nebo vařečky, dokud je přístroj v provozu. Hrozí nebezpečí vážného zranění, pokud se tyto předměty dotknou rychle se otáčejících nožů!
- Nenechávejte přístroj pracovat bez dohledu, abyste v případě nebezpečí mohli ihned zareagovat.
- Dohlížejte na děti, aby si s přístrojem nehrály.
- Nepoužívejte přístroj nikdy pro jiné účely, než je popsáno v tomto návodu.
- Přístroj se při chybějícím dohledu a před montáží, demontáží nebo čištěním musí vždy odpojit od sítě.
- Přístroj nesmějí používat děti.
- Přístroj a jeho přípojný kabel se musí uchovávat mimo dosah dětí.
- Osoby s omezenými fyzickými, smyslovými nebo mentálními schopnostmi či nedostatkem zkušeností a/nebo znalostí mohou používat tento přístroj pouze tehdy, pokud jsou pod dohledem nebo pokud byly poučeny o bezpečném používání přístroje a pokud porozuměly z toho vyplývajícím nebezpečím.
- Děti si nesmí hrát s přístrojem.
- Buďte opatrní při manipulaci s přístrojem. Nože jsou velmi ostré!
- Buďte opatrní při vyprazdňování mixéru! Nože jsou velmi ostré!
- Buďte opatrní při čištění přístroje! Nože jsou velmi ostré!
- Vypněte přístroj a vytáhněte síťovou zástrčku ze zásuvky ještě předtím, než vyměníte příslušenství nebo se dotknete dílů, které byly během provozu v pohybu.
- Mixovací nástavec používejte pouze s dodaným blokem motoru!
- Před sejmutím mixovacího nástavce z bloku motoru se vždy ujistěte, že je mixér vypnutý!

Vybalení

- Odstraňte z přístroje všechny části balení nebo ochranné fólie. Obal uschovejte pro chráněné skladování, nebo zaslání, např. v případě potřeby opravy.
- Před použitím přístroje se ujistěte, zda není přístroj poškozený, také zkontrolujte síťový kabel se zástrčkou a veškeré příslušenství a součásti přístroje.
- Před prvním použitím stabilního mixéru vyčistěte pečlivě všechny součásti (viz "Čištění").

Umístění

Jakmile jste vyčistili všechny díly, jak je uvedeno v kapitole „Čištění“:

- ⇒ Umístěte přístroj tak, aby, ...
- napájecí kabel **6** je vedený vývrtem na zadní straně,
 - zástrčka byla okamžitě dosažitelná, aby mohla být v případě nebezpečí ihned vytažena ze zásuvky,
 - stál stabilně a nemohl proklouznout, a aby se přísavky mohly dobře uchytit napevno, a aby v případě vibrací nedošlo k převrácení spotřebiče,
 - aby kabel **6** nezasahoval do pracovní oblasti a nehrozilo převrnutí přístroje v důsledku nechtěného zachycení kabelu.

Obsluha

⚠ Výstraha!

Motor se vypne, jakmile je mixovací nástavec **3** odstraněn z bloku motoru **7**. Je možné přehlednout, že je přístroj stále zapnutý. Motor se pak nečekaně zapne, jakmile se mixovací nástavec **3** opět namontuje.

Proto:

- Strčte zástrčku do zásuvky až tehdy, jakmile je nástavec **3** naplněn a namontován.
- Vždy se před montáží ujistěte, že je přístroj vypnutý nebo je zástrčka vytažena ze zásuvky.
- Přístroj nejprve vypněte, vytáhněte zástrčku a vyčkejte, až se motor zastaví, než sejmete mixovací nástavec **3**.

Naplnění a montáž mixovacího nástavce

- ⇒ Sejměte nástavec mixéru **3** z motorového bloku **7** a sundejte víko **2**.
- ⇒ Naplňte nástavec mixéru **3** a vzápětí natlačte opět víko **2** na nástavec mixéru **3**. Dbejte na to, aby byl na mixovacím nástavci **3** uzavřen také výlevkový zobáček.
- ⇒ Nasadte plnicí kryt **1** na otvor ve víku a otočte jím ve směru otáčení hodinových ručiček.
- ⇒ Naplněný a uzavřený mixovací nástavec **3** nasadíte na blok motoru **7**. Lehce nástavcem **3** otočte, až jej můžete zatlačit dolů. Pouze když je nástavec řádně nasazen **3**, může se motor spustit.

Volba rychlosti

Jakmile je nástavec ③ naplněn, zcela uzavřen a nasažen na blok motoru ⑦, můžete přístroj zapnout.

⇒ Nastavte přepínač ⑤ na ...

- stupeň 1-3

pro tekuté a středně tuhé potraviny, pro směšování, rozmělnění a míchání

- stupeň 3-5

pro tužší potraviny nebo pro drcení

- stupeň Ice Crush/Clean

Pro krátký, silný pulsní režim, např. pro drcení kostek ledu nebo čištění. Pro nezatížení motoru nezaklapne přepínač ⑤ do této polohy. Držte proto přepínač ⑤ v této poloze pouze krátce.

ⓘ Upozornění

Naplňte mixovací nástavec ③ minimálně 180 g ledových kostek. Jinak přístroj ledové kostky optimálně nerozdrví.

Plnění za provozu

⚠ Výstraha!

Chcete-li do nástavce něco přidat za provozu, smíte otevřít pouze k tomu určený plnicí kryt ①.

- V žádném případě neotvírejte víko ②. V opačném případě mohou části potravin vysokou rychlostí vyletět z nástavce!
- Nikdy nestrkejte do nástavce ③ části příborů nebo vařečky, dokud je přístroj v provozu. Hrozí nebezpečí vážného zranění, pokud se tyto předměty dotknou rychle se otáčejících nožů ④!

Abyste do nástavce mohli něco přidat za provozu,...

⇒ otáčejte plnicím krytem ① proti směru otáčení hodinových ručiček a vyjměte jej.

⇒ Vyplňte složkách.

⇒ Poté nasadte plnicí kryt ① opět na otvor ve víku a otočte jím ve směru otáčení hodinových ručiček.

Sejmutí mixovacího nástavce

Jakmile je zpracování potravin ukončeno:

⇒ Vždy nejprve přepněte přepínač ⑤ do polohy VYP. („OFF“) a vytáhněte zástrčku ze zásuvky.

⇒ Než mixovací nástavec ③ vyjmete přímo nahoru, vyčkejte na zastavení motoru. Nástavcem ③ pro mixování přitom není třeba otáčet.

Užitečné pokyny

- Aby bylo možno při rozmělnění pevných potravin dosáhnout těch nejlepších výsledků, do nástavce ③ postupně přidávejte jen malé dávky a nepřidávejte najednou velká množství.
- Pokud zpracováváte pevné potraviny, rozkrájejte je na malé kousky (2-3 cm).
- Při mixování tekutých přísad nejprve začněte malým množstvím tekutiny. Pak postupně otvorem v krytu přidávejte více tekutiny.
- Přístroj můžete za chodu stabilizovat tím, že nahoru na uzavřený mixér položíte ruce.
- Pro míchání tuhých nebo velmi hustých potravin může být výhodné použít impulsní provoz, aby se tak zabránilo zadření nože ④.

ⓘ Upozornění

Nepoužívejte přístroj ke mletí hrubých zrn jedlé soli, rafinovaného nebo bílého cukru, například na výrobu práškového cukru.

Recepty

Banánový shake

2 banány

cca. 2 polévkové lžice cukru (v závislosti na zralosti banánů a podle osobní chuti)

1/2 litru mléka

1 střík citronové šťávy

Oloupejte banány a rozmixujte je na stupni 2. Přilévejte postupně mléko a potom k tomu přidejte cukr a citronovou šťávu. Mixujte vše tak dlouho, dokud se celá masa nerozmixuje na homogenní tekutinu. Shake podávejte chlazený.

Vanilkový shake

1/4 litru mléka

250 g vanilkové zmrzliny

125 ml ledových kostek

1 1/2 lžičky cukru

Ledové kostky nechte rozdrtit stupněm Ice Crush/Clean. Dejte zbývající přísady do mixéru. Mixujte vše na stupni 2 tak dlouho, dokud se nevytvoří rovnoměrná tekutina.

Cappucino shake

65 ml studeného espressa (nebo velmi silné kávy)

65 ml mléka

15 g cukru

65 ml vanilkové zmrzliny

100 ml rozdrčených ledových kostek

Ledové kostky nechte rozdrtit stupněm Ice Crush/Clean. Přidejte k tomu espresso, mléko a cukr. Mixujte vše na stupni 2, dokud se cukr nerozpustí. Nakonec přidejte trochu vanilkové zmrzliny a vše promixujte krátce na stupni 1.

Tropical mix

125 ml ananasového džusu

60 ml šťávy papája

50 ml pomerančové šťávy

1/2 malá plechovka broskví se šťávou

125 ml ledových kostek

Ledové kostky nechte rozdrtit stupněm Ice Crush/Clean. Dejte všechny přísady do mixéru a dobře vše promixujte na stupni 3.

Nugátovo-ořechový shake

1/2 litru mléka

200 g nugátovo-oříškového krému

1 kopeček vanilkové zmrzliny

50 ml smetany

Všechny přísady promixujte na stupni 3, dokud se vše dobře nepromixuje.

Mrkvový shake

300 ml jablečné šťávy

500 ml mrkvové šťávy

4 polévkové lžice oleje

(olej z pšeničných klíčků nebo řepkový olej)

4 polévkové lžice citronové šťávy

zázvorový prášek

pepř

Dejte do mixéru jablečnou šťávu, olej a citronovou šťávu a mixujte vše na stupni 2. Poté přidejte mrkvovou šťávu a opět mixujte vše na stupni 2. Poté dochuťte shake zázvorovým práškem a pepřem.

Rybízový mix

2 lžičky medu

2 banány

1 / 4 litru podmáslí

1 / 4 litru rybízové šťávy (z černého rybízu)

Dejte všechny přísady do mixéru a dobře vše promixujte na stupni 3.

Hawaii shake

- 4 banány
- 1/4 litru ananasového džusu
- 1/2 litru mléka
- 2 polévkové lžíce medu
- 1/4 litru rumu

Oloupejte banány a rozmixujte je na stupni 2. Přidejte k tomu další přísady a vše dobře promixujte na stupni 1.

Ovocný ananasovo-jahodový mix

- 250 ml ananasového džusu
- 200 g jahod
- 300 ml jablečné šťávy
- 4 kostky ledu

Ledové kostky nechte rozdrtit stupněm Ice Crush/Clean. Jahody dobře umyjte a odstraňte stopky. Poté je rozmixujte na stupni 2. Přidejte k tomu další přísady a vše dobře promixujte na stupni 1.

Andaluská studená polévka (gazpacho)

- 1/2 okurky
- 1 rajče
- 1 zelená paprika
- 1/2 cibule
- 1 stroužek česneku
- 1/2 housky, bílého chleba
- 1/2 lžičky soli
- 1 lžička červeného vinného octu
- 1 polévková lžíce olivového oleje

Zeleninu nakrájejte na cca. 2 cm velké kusy. Do mixéru dejte nejdříve rajčata a potom přidejte okurky. Rozmixujte vše na stupni 3. Poté přidejte zbývající přísady a nechte vše dobře promixovat na stupni 3, dokud není polévka hotová. Podávejte s chlebem.

Upozornění

Recepty jsou bez záruky. Všechny údaje o přísadách a o přípravě jsou jen orientační. Doplňte tyto navrhované recepty o své vlastní zkušenosti.

Upozornění

V případě známé nesnášenlivosti laktózy doporučujeme použít mléko bez laktózy. Myslete však na to, že mléko bez laktózy je o něco sladší.

Čištění

Pozor!

Než se pustíte do čištění mixéru a jeho dílů:

- Ujistěte se, že je zařízení vypnuté a zástrčka je vytažená.



Blok motoru **7** se v žádném případě nesmí ponořovat do vody nebo jiných tekutin. Hrozí tak nebezpečí ohrožení života úderem elektrickým proudem a přístroj se může poškodit.

- Nikdy neotvírejte plášť přístroje. Jinak by mohlo dojít k nebezpečí nehody a ohrožení života v důsledku zásahu elektrického proudu.
- Nože **4** nikdy nedemontujte a také nikdy nesahejte do mixovacího nástavce **3**. Nože **4** jsou extrémně ostré!
- Na plochy z umělé hmoty nepoužívejte žádná ředidla ani abraziva. Jinak by mohlo dojít k jejich poškození.

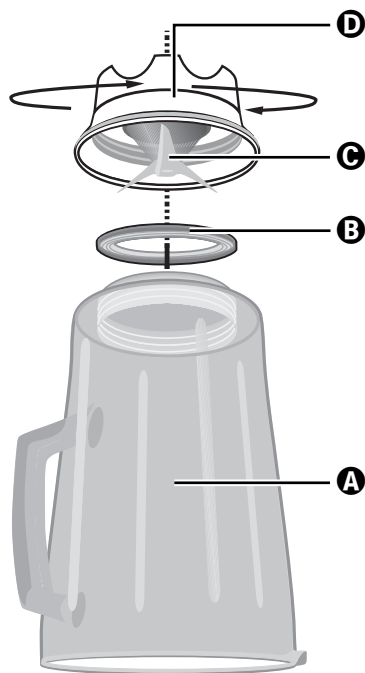
Čištění mixovacího nástavce

- ⇒ Nástavec ③ čistíte jen kartáčem na nádobí s dlouhou rukojetí, tak abyste se nemohli zranit o nože ④.
- ⇒ V případě tvrdších nečistot můžete nástavec ③ nechat vyčistit i v myčce. Rozeberte mixovací nástavec ③ vždy k tomu tak, jak je níže popsáno.
- ⇒ Víko ② a plnicí kryt ① čistíte v myčce nebo při normálním mytí nádobí.

Čističe-li mixér ihned po použití, dosáhnete ve většině případů dostatečného hygienického vyčištění následující alternativou:

- ⇒ Nalijte do mixérového nástavce ③ 750 ml vody a přidejte několik kapek jemného mycího prostředku. Uzavřete jej víkem ② a nasadte mixérový nástavec ③ na motorový blok ⑦. Síťovou zástrčku zastrčte do zásuvky a Ice Crush/Clean uveďte několikrát do provozu ta, aby řezací nůž ④ brázdil vodu maximálním počtem otáček. Poté mixovací nástavec ③ vypláchněte velkým množstvím čisté vody, dokud se neodstraní veškeré zbytky mycího prostředku.

Pokud špína nepovolí, můžete uvolnit dolní plastovou část nástavce ③ s noži ④ od skleněné části nástavce ③:



- ① skleněná část
- ② těsnicí kroužek
- ③ nůž
- ④ plastová část

- ⇒ Odeberte nástavec ③ z bloku motoru ⑦.
- ⇒ Otáčejte plastovou část ④ nástavce mixéru ③ proti směru hodinových ručiček tak, že se dá uvolnit ze skleněné části ① nástavce mixéru ③.

Pozor!

S noži **Ⓒ** manipulujte opatrně. Jsou velmi ostré.
Nebezpečí poranění!

- ⇒ Oba díly řádně omyjte ve slabém mýdlovém roztoku nebo v myčce.
- ⇒ Nasadíte plastový díl **Ⓓ** nástavce **Ⓒ** opět na skleněný díl **Ⓐ**. Dbejte na to, aby byl nasazen **Ⓒ** těsnicí prstenec **Ⓑ**.

Čištění bloku motoru

- ⇒ Na čištění umělohmotných ploch používejte suchý nebo jen lehce navlhčený hadřík.
- ⇒ Při každém čištění zkontrolujte, aby kontaktní spínač v uložení nástavce **Ⓒ** nebyl zablokován zbytky nečistot. Nemůžete-li tyto zbytky nečistot odstranit růžkem listu papíru, obraťte se na zákaznický servis. V žádném případě nepoužijte tvrdý předmět, kontaktní spínač by se s tím mohl poškodit.
- ⇒ Odstraňte případné nečistoty na spodní straně bloku motoru **Ⓙ** výhradně suchým hadříkem nebo prachovým štětečkem. Zajistěte, aby nepronikly větracími otvory do přístroje.

Po čištění

Všechny díly nechte dobře oschnout, než mixér opět smontujete a použijete.

Úschova

- ⇒ Nepoužíváte-li mixér delší dobu, řádně jej vyčistěte (viz kapitolu „Čištění“).
- ⇒ Síťový kabel **Ⓔ** navíňte kolem dna bloku motoru **Ⓙ** na navíječ kabele **Ⓚ**.
- ⇒ Mixér uchovávejte na chladném a suchém místě.

Likvidace



V žádném případě nevyhazujte přístroj do běžného domovního odpadu. Tento výrobek musí plnit ustanovení evropské směrnice 2012/19/EU.

Zlikvidujte přístroj prostřednictvím firmy na likvidaci s příslušným povolením nebo zařízení na likvidaci komunálního odpadu.

Dodržujte aktuální platné předpisy. V případě pochybností kontaktujte příslušnou firmu, která se zabývá likvidací odpadu.



Veškeré obalové materiály nechte zlikvidovat v souladu s ekologickými předpisy.

Záruka & servis

Na tento přístroj platí tříletá záruka od data zakoupení. Přístroj byl vyroben s nejvyšší pečlivostí a před odesláním prošel výstupní kontrolou.

Uchovávejte si, prosím, pokladní lístek jako doklad o nákupu. V případě uplatňování záruky kontaktujte telefonicky Vaši servisní službu. Pouze tak může být zajištěno bezplatné zaslání Vašeho zboží.

Záruka se vztahuje pouze na chyby materiálu nebo výrobní závady, ale ne na škody, vzniklé při přepravě, ne na součásti, podléhající rychlému opotřebení nebo na poškození křehkých dílů, jako jsou např. spínače nebo akumulátory. Výrobek je určen pouze pro privátní použití, ne průmyslové. Při nesprávném a neodborném využívání, při použití násilí a při zásazích, které nebyly provedeny našimi autorizovanými servisními provozovny, záruční nároky zanikají. Vaše práva vyplývající ze zákona touto zárukou nejsou omezena. Záruční doba se zárukou neprodouží. Toto platí také pro náhradní díly a opravené součásti. Případné škody a vady, existující už při koupi, se musí hlásit ihned po vybalení, nejspozději však do dvou dnů od data nákupu. Po uplynutí záruční doby se provedené opravy musí zaplatit.

 **Servis Česko**

Tel.: 800143873

E-Mail: kompernass@lidl.cz

IAN 100484

Dostupnost horké linky:

pondělí až pátek 8:00 hod. - 20:00 hod. (SEČ)

Dovozce

KOMPERNASS HANDELS GMBH

BURGSTRASSE 21

44867 BOCHUM

GERMANY

www.kompernass.com

OBSAH

STRANA

Úvod	62
Používanie primerané účelu	62
Obsah dodávky	62
Opis Prístroja	62
Technické údaje	62
Bezpečnostné pokyny	63
Vybalenie	65
Umiestnenie	65
Ovládanie	65
Plnenie a montovanie mixážneho nástavca	65
Voľba otáčok	65
Napíňanie počas prevádzky	66
Vybratie mixážneho nástavca	66
Užitočné pokyny	66
Recepty	67
Banánový koktail	67
Vanilkový koktail	67
Cappucinový koktail	67
Tropický mix	67
Orieškovo nugátový koktail	67
Mrkvový koktail	67
Ríbezľový mix	67
Havajský koktail	68
Ananásovo-jahodový mix	68
Studená andalúzska polievka (gazpacho)	68
Čistenie	68
Čistenie mixážneho nástavca	69
Čistenie bloku motora	70
Po čistení	70
Uskladnenie	70
Likvidácia	70
Záruka a servis	70
Dovozca	71

Úvod

Srdečne vám gratulujeme ku kúpe tohto nového prístroja.

Rozhodli ste sa tým pre vysokokvalitný výrobok. Návod na používanie je súčasťou tohto výrobku. Obsahuje dôležité pokyny týkajúce sa bezpečnosti, používania a likvidácie zariadenia. Pred používaním tohto výrobku sa oboznámte so všetkými pokynmi na ovládanie a bezpečnostnými pokynmi. Výrobok používajte iba tak, ako je tu opísané a iba v tých oblastiach použitia, ktoré sú tu uvedené. Pri odovzdávaní výrobku tretej osobe s ním odovzdajte aj všetky podklady.

Používanie primerané účelu

Tento prístroj je určený na ...

- miešanie, pasírovanie a šľahanie potravín, ako aj na výrobu ľadovej drte z kociek ľadu,
- výlučne v domácnosti používané množstvá a len na súkromné používanie v domácnosti a v suchých priestoroch.

Tento prístroj nie je určený na ...

- drvenie tvrdých kusov potravín, ako sú napr. orechy, jadierka, veľké zrná alebo stonky,
- spracovávanie materiálov, ktoré nie sú potravinami,
- používanie na priemyselné alebo komerčné účely,
- používanie vo vlhkom prostredí alebo vonku,
- pracovanie horúcich/variácií sa tekutín.

Používajte len príslušenstvo a náhradné diely, ktoré sú určené pre tento prístroj. Iné diely nemusia byť dostatočne vhodné alebo bezpečné!

Obsah dodávky


Po vybalení skontrolujte, či balenie obsahuje všetky potrebné časti. Súčasťou dodávky je:

- 1 x blok motora so sieťovou šnúrou a zástrčkou
- 1 x mixážny nástavec s pevne namontovaným nožom
- 1 x kryt
- 1 x plniace veko
- 1 x návod na používanie

Opis Prístroja

- 1 Plniace veko
- 2 Kryt
- 3 Mixážny nástavec
- 4 Nôž
- 5 Spínač
- 6 Sieťová šnúra
- 7 Blok motora
- 8 Navíjače kábla
- 9 Stupnica

Technické údaje

Sieťové napätie:	220 - 240 V ~, 50 Hz
Menovitý výkon:	550 W
Max. náplň:	1,75 l
Trieda ochrany:	II 
Krátkodobá prevádzka:	3 minúty

Krátkodobá prevádzka udáva, ako dlho sa dá prevádzkovať prístroj bez toho, aby sa motor prehrial a došlo k jeho poškodeniu. Po udanej dobe krátkodobej prevádzky musí prístroj zostať vypnutý dovtedy, než motor vychladne na izbovú teplotu.

Bezpečnostné pokyny

⚠ Aby ste predišli nebezpečenstvu ohrozenia života zásahom elektrického prúdu:

- Zabezpečte, aby sa blok motora, sieťová šnúra a sieťová zástrčka nikdy nepo-
nárali do vody ani do iných tekutín.
- Prístroj používajte výlučne v suchých priestoroch, nikdy ho nepoužívajte vonku
alebo vo vlhkom prostredí.
- Dbajte na to, aby prírodný kábel počas prevádzky nikdy nebol mokrý ani vlhký.
Umiestnite ho tak, aby sa nemohol nikde privrieť ani iným spôsobom poškodiť.
- Poškodenú sieťovú šnúru alebo zástrčku nechajte ihneď vymeniť oprávnenému
odborníkovi alebo v zákazníckom servise, aby ste sa vyhli ohrozeniu zdravia.
- Po použití zástrčku vždy vytiahnite zo zásuvky. Samotné vypnutie nie je postač-
ujúce, pretože pokiaľ je zástrčka v zásuvke, v zariadení je stále ešte napätie.
- Pred každým použitím skontrolujte výrobok, či je v bezchybnom stave. Prístroj
sa nesmie používať, keď sú na ňom viditeľné poškodenia, predovšetkým poško-
denia na bloku motora alebo na sklenom mixážnom nástavci.
- Ihneď vytiahnite sieťovú zástrčku z elektrickej zásuvky, keď si všimnete, že sa
vytvára neobvyklý dym alebo zápach, alebo zistíte nesprávne fungovanie prí-
stroja.

⚠ Aby ste zabránili prehriatiu a nebezpečenstvu vzniku požiaru:

- Nepoužívajte prístroj na miestach, kam dopadajú priame slnečné lúče alebo kde
pôsobí teplo zo zariadení vyžarujúcich teplo.
- Nikdy nedávajte vriace tekutiny do mixážneho nástavca! Najprv ich nechajte
vychladnúť na teplotu tela. V opačnom prípade sa môže prístroj prehriať a prípad-
ne aj odpadnúť sklo z mixážneho nástavca!
- Nikdy nepoužívajte prístroj naprázdno, t. j. bez surovín v mixážnom nástavci.

⚠ Aby ste predišli úrazu a poraneniu:

- Nikdy nesiahajte rukou do mixážneho nástavca, hlavne nie počas prevádzky. Nože sú mimoriadne ostré!
- Neotvárajte kryt, keď je prístroj v prevádzke. V opačnom prípade môžu kúsky potravín vyletieť veľkou rýchlosťou von!
- Nikdy nedávajte do mixážneho nástavca časti príboru ani predmety na miešanie, kým je prístroj v prevádzke. Ak sa dotknú veľmi rýchlo sa otáčajúcich nožov, hrozí vážne nebezpečenstvo poranenia!
- Nechávajte prístroj v chode bez dozoru, aby ste mohli v prípade nebezpečenstva rýchlo zareagovať.
- Na deti treba dohliadať, aby sa zabezpečilo, že sa nebudú hrať s prístrojom.
- Nepoužívajte elektrický spotrebič na iné účely, ako je popísané v tomto návode.
- Pokiaľ nie je elektrický spotrebič pod dohľadom a pred zložením, rozoberaním alebo čistením ho vždy odpojte od siete.
- Tento elektrický spotrebič nesmú používať deti.
- Elektrický spotrebič a jeho prípojný kábel musíte uchovávať mimo dosahu detí.
- Tento elektrický spotrebič môžu používať osoby so zníženými fyzickými, senzorkými alebo mentálnymi schopnosťami, prípadne s nedostatočnými skúsenosťami alebo znalosťami, ak sú pod dozorom alebo boli dostatočne poučené o bezpečnom používaní prístroja a pochopili z toho vyplývajúce riziká.
- Deti sa z elektrickým spotrebičom nesmú hrať.
- Pri zaobchádzaní s elektrickým spotrebičom postupujte opatrne! Nože sú veľmi ostré!
- Pri vyprázdňovaní misky postupujte opatrne! Nože sú veľmi ostré!
- Pri čistení elektrického spotrebiča postupujte opatrne! Nože sú veľmi ostré!
- Skôr než začnete s výmenou príslušenstva alebo sa dotknete dielov, ktoré sa počas prevádzky pohybujú, elektrický spotrebič vypnite a zástrčku vytiahnite z elektrickej zásuvky.
- Nástavec používajte len s dodaným blokom motora!
- Skôr než zdvihnete nástavec od bloku motora presvedčte sa, že mixér je vždy vypnutý!

Vybalenie

- Odstráňte z prístroja všetky časti obalu a ochranné fólie. Odložte si obal, aby ste mohli prístroj uskladniť chránený a aby ste ho mohli poslať na prípadnú opravu.
- Pred používaním prístroja sa presvedčte, že je nepoškodený, že má nepoškodenú sieťovú šnúru so zástrčkou a že sú nepoškodené aj všetky ostatné diely prístroja a jeho príslušenstvo.
- Pred prvým používaním mixéra starostlivo vyčistite všetky jeho diely (pozri „Čistenie“).

Umiestnenie

Po vyčistení všetkých dielov tak, ako je opísané v časti „Čistenie“:

⇒ Postavte prístroj tak, ...

- aby sieťová šnúra ⑥ prechádzala cez priehlbinu na zadnej strane,
- aby bola elektrická zástrčka stále dostupná, aby ste ju mohli v prípade nebezpečenstva rýchlo vytiahnuť zo zásuvky.
- aby stál stabilne a bez šmýkania, aby sa prísavky pevne prichytili a aby sa prístroj pri vibráciách neprevrátil.
- aby kábel ⑥ nezasahoval do pracovného priestoru a aby sa prípadným nechceným potiahnutím zaň prístroj nemohol prevrátiť.

Ovládanie

⚠ Varovanie!

Motor sa vypne, len čo oddelíte mixážny nástavec ③ od bloku motora ⑦. Pritom si možno ani nevšimnete, že je stroj ešte zapnutý. Motor sa potom ihneď spustí, len čo namontujete mixážny nástavec ③:

Preto:

- Zasuňte sieťovú zástrčku do zásuvky až potom, keď je mixážny nástavec ③ celkom naplnený a v zatvorenom stave namontovaný.
- Pred montážou sa vždy ubezpečte, že je prístroj vypnutý alebo sieťová zástrčka vytiahnutá.
- Pred odmontovaním mixážneho nástavca ③ najprv prístroj vypnite, vytiahnite sieťovú zástrčku a vyčkajte, kým sa motor celkom zastaví.

Plnenie a montovanie mixážneho nástavca

- ⇒ Snímite mixážny nástavec ③ z bloku motora ⑦ a dajte dolu veko ②.
- ⇒ Naplňte mixážny nástavec ③ a potom znova pevne natlačte veko ② na mixážny nástavec ③. Dajte pozor na to, aby bol aj vylievací otvor na mixážnom nástavci ③ zatvorený.
- ⇒ Zasuňte plniace veko ① do otvoru v kryte a otočte ho v smere hodinových ručičiek.
- ⇒ Naplnený a zatvorený mixážny nástavec ③ nasadíte na blok motora ⑦. Mierne pootočte mixážny nástavec ③, aby ste ho mohli zatlačiť nadol. Motor sa dá spustiť, len keď je mixážny nástavec ③ pevne nasadený.

Voľba otáčok

Keď je mixážny nástavec ③ naplnený a v úplne zatvorenom stave nasadený na bloku motora ⑦, môžete prístroj zapnúť.

⇨ Nastavte prepínač 5 na ...

- **Stupeň 1-3**

pre tekuté alebo stredne tuhé potraviny, na miešanie, pasírovanie a šľahanie

- **Stupeň 3-5**

pre tuhšie potraviny alebo na drvenie

- **Stupeň Ice Crush/Clean (drvenie ľadu a čistenie)**

na krátku a mohutnú impulznú prevádzku, napr. na drvenie kociek ľadu alebo na čistenie.

Spínač 5 sa v tejto polohe nezaaretuje, aby nedošlo k preťaženiu motora. Preto držte spínač 5 v tejto polohe len krátko.

i Upozornenie

Do mixážneho nástavca 3 dajte maximálne 180 g ľadových kociek. Ak by ste ich dali viac, prístroj nerozdrtí ľadové kocky optimálne.

Naplnenie počas prevádzky

⚠ Varovanie!

Keď chcete za chodu motora niečo doplniť, môžete otvoriť výlučne len na tento účel určené plniace veko 1.

- V žiadnom prípade neotvárajte kryt 2. Kúsky potravín by mohli vyletieť veľkou rýchlosťou von!
- Nikdy nedávajte do mixážneho nástavca 3 časti príboru ani predmety na miešanie, kým je prístroj v prevádzke. Ak sa dotknú veľmi rýchlo sa otáčajúcich nožov 4, hrozí vážne nebezpečenstvo poranenia!

Ak chcete za chodu motora niečo doplniť, ...

⇨ otočte plniace veko 1 proti smeru hodinových ručičiek a vyberte ho von.

⇨ Vyplňte zložiek.

⇨ Potom zasuňte plniace veko 1 znova do otvoru v kryte a otočte ho v smere hodinových ručičiek.

Vybratie mixážneho nástavca

Po skončení spracovávanía vložených potravín:

⇨ Dajte vždy najprv vypínač 5 do polohy VYP. („OFF“) a vyťahnite sieťovú zástrčku.

⇨ Najprv vyčkajte, až sa motor celkom zastaví, až potom vyťahnite mixážny nástavec 3 priamo nahor. Nástavec 3 pritom nemusíte otáčať.

Užitočné pokyny

- Aby ste pri príprave pyrú z pevných prísad dosiahli tie najlepšie výsledky, pridávajte do nástavca postupne viacero malých porcií namiesto toho, aby ste naraz naplnili nástavec 3 veľkým množstvom prísad.
- Keď spracováate pevné prísady, nakrájajte ich na malé kúsky (2 – 3 cm).
- Pri mixovaní tekutých prísad začnite najskôr s menším množstvom tekutiny. Postupne pridávajte cez otvor v kryte viac a viac tekutiny.
- Keď za chodu motora dáte ruku hore na zatvorený mixér, môžete tým prístroj dobre stabilizovať.
- Pri miešaní tuhých alebo veľmi hustých potravín môže byť užitočné použiť impulznú prevádzku, čím zabránite zachyteniu noža 4.

i Upozornenie

Nepoužívajte prístroj na to, aby ste zmenšili veľkosť zrn soli, alebo rôznych druhov cukru, napríklad na získanie práškoveho cukru.

Recepty

Banánový koktail

2 banány
asi 2 polievkové lyžice cukru
(podľa zrelosti banánov
a osobnej chuti)
1/2 l mlieka
strek citrónovej šľavy

Olúpte banány a urobte z nich pyré na stupni 2.
Postupne pridávajte mlieko, potom cukor nakoniec
citrónovú šľavu. Všetko mixujte tak dlho, až vznikne
rovnomerná tekutina.
Koktail servírujte vychladený.

Vanilkový koktail

1/4 l mlieka
250 g vanilkovej zmrzliny
125 ml ľadových kociek
1 1/2 čajové lyžičky cukru

Rozdrvte ľadové kocky na stupni Ice Crush/Clean.
Pridajte zvyšné suroviny do mixéra. Na stupni 2
mixujte tak dlho, kým nevznikne homogénna tekutina.

Cappucinový koktail

65 ml chladnej kávy espresso
(alebo veľmi silnej kávy)
65 ml mlieka
15 g cukru
65 ml vanilkovej zmrzliny
100 ml rozdrvených ľadových kociek

Rozdrvte ľadové kocky na stupni Ice Crush/Clean.
Pridajte k nim kávu espresso, mlieko a cukor. Všetko
mixujte na stupni 2, kým sa cukor nerozpustí. Na
záver pridajte vanilkovú zmrzlinu a všetko krátko
zmixujte na stupni 1.

Tropický mix

125 ml ananásovej šľavy
60 ml papájovej šľavy
50 ml pomarančovej šľavy
1/2 malá konzerva broskní so šľavou
125 ml ľadových kociek

Rozdrvte ľadové kocky na stupni Ice Crush/Clean.
Pridajte do mixéra všetky suroviny a všetko zmixujte
na stupni 3.

Orieškovo nugátový koktail

1/2 l mlieka
200 g orieškovo nugátového krému
1 porcia vanilkovej zmrzliny
50 ml smotany

Zmiešajte všetky suroviny v mixéri na stupni 3, až je
všetko rovnomerne rozmixované.

Mrkvový koktail

300 ml jablkovej šľavy
500 ml mrkvovej šľavy
4 polievková lyžica oleja
(olej z pšeničných klíčkov alebo repkový)
4 polievkové lyžice citrónovej šľavy
sušený zázvor
korenie

Dajte do mixéra jablkovú šľavu, olej a citrónovú šľa-
vu, potom všetko zmixujte na stupni 2. Potom pridaj-
te mrkvovú šľavu a všetko premiešajte na stupni 2.
Na záver dochuťte mrkvový koktail sušeným záz-
vorom a korením.

Ríbežľový mix

2 čajová lyžička medu
2 banány
1/4 l cmaru
1/4 l šľavy z čiernych ríbežlí

Dajte do mixéra všetky suroviny a všetko zmixujte
na stupni 3.

Havajský koktail

- 4 banány
- 1/4 l ananásovej šťavy
- 1/2 l mlieka
- 2 PL medu
- 1/4 l rumu

Olúpte banány a urobte z nich pyrė na stupni 2. Pridajte k nim ostatnė suroviny a všetko zmixujte na stupni 1.

Ananásovo-jahodový mix

- 250 ml ananásovej šťavy
- 200 g jahod
- 300 ml jablkovej šťavy
- 4 kocky ľadu

Rozdrvte ľadovė kocky na stupni Ice Crush/Clean. Umyte jahody a odstrãňte z nich stopky. Urobte z nich pyrė na stupni 2. Potom k nim pridajte zvyšnė suroviny a všetko zmixujte na stupni 1.

Studená andalúzska polievka (gazpacho)

- 1/2 uhorky
- 1 mäsitá rajčina
- 1 zelená paprika
- 1/2 cibuľa
- 1 strúčik cesnaku
- 1/2 bielej žemle
- 1/2 čajovej lyžičky soli
- 1 čajovã lyžička octu z červeného vína
- 1 polievkovã lyžica olivového oleja

Pokrájajte zeleninu na asi 2 cm veľké kúsky. Najprv dajte do mixéra rajčiny a potom uhorky. Urobte z nich pyrė na stupni 3. Pridajte k nim zvyšnė suroviny a všetko zmixujte na stupni 3, až vznikne rovnomernã zmes polievky.

Polievku servírujte s chlebom.

Upozornenie

Recepty bez záruky. Všetky údaje o surovinách a príprave sú orientačné. Doplňte si tieto recepty o vaše vlastné, už odskúšané.

Upozornenie

Ak niekto neznãša laktózu, odporúčame použiť bezlaktózovė mlieko. Majte však pritom na pamäti, že bezlaktózovė mlieko je o niečo sladšie než obyčejné.


Čistenie




Pozor!

Pred čistením mixéra a jeho jednotlivých dielov:

- Zabezpečte, aby bol prístroj vypnutý a sieťovã zástrčka vytiahnutã zo siete.



V žiadnom prípade sa nesmie blok motora  ponárať do vody ani do iných tekutín. Prítomnosť hrozí smrteľné nebezpečenstvo od zásahu elektrickým prúdom a prístroj sa môže poškodiť.

- Nikdy neotvárajte skrinku prístroja. V opačnom prípade existuje nebezpečenstvo úrazu elektrickým prúdom!
- Nikdy neodmontovávajújte nože  a nikdy nesiahajte do mixážneho nástavca . Nože  sú mimoriadne ostré!
- Na umelohmotné plochy nepoužívajte žiadne rozpúšťadlá ani čistiaci piesok, pretože inak by ste ich mohli poškodiť.

Čistenie mixážneho nástavca

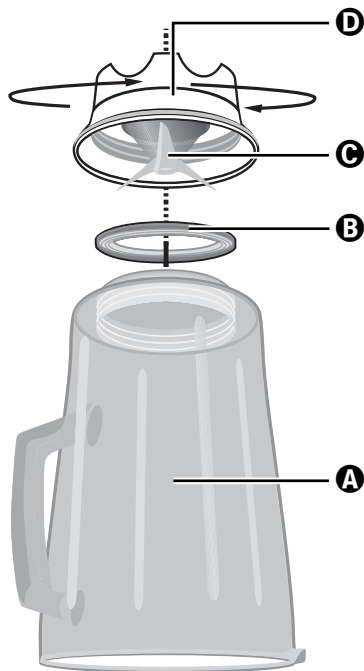
- ⇒ Mixážny nástavec **3** čistíte len kefou na umývanie s dlhou rúčkou, aby ste sa nemohli poraniť o nože **4**.
- ⇒ V prípade odolávajúcich nečistôt môžete mixážny nástavec **3** vyčistiť aj v umývačke riadu. Preto vždy rozoberte mixážny nástavec **3** podľa ďalej uvedeného opisu.
- ⇒ Kryt **2** a plniace veko **1** vyčistíte v umývačke riadu alebo pri bežnom umývaní riadu.

Keď čistíte mixér hneď po použití, dosiahnete vo väčšine prípadov postačujúce hygienické vyčistenie nasledujúcim spôsobom:

- ⇒ Naplňte mixážny nástavec **3** vodou s objemom 750 ml a pridajte do nej niekoľko kvapiek jemného prostriedku na umývanie. Zatvorte veko **2** a nasadte mixážny nástavec **3** na blok motora **7**. Zasuňte sieťovú zástrčku do elektrickej zásuvky a niekoľkokrát stlačte tlačidlo Ice Crush/Clean, aby sa nože **4** roztočili v najvyšších otáčkach vo vode.

Potom vypláchnite mixážny nástavec **3** dostatočným množstvom čistej vody, aby ste odstránili všetky zvyšky umývacieho prostriedku.

Ak sa ani tak nečistota neuvolní, môžete oddeliť spodný plastový diel mixážneho nástavca **3** s nožmi **4** od sklenej časti nástavca **3**:



- A** Sklený diel
- B** Tesniaci krúžok
- C** Nôž
- D** Plastový diel

- ⇒ Oddelíte mixážny nástavec **3** od bloku motora **7**.
- ⇒ Otáčajte plastový diel **D** mixážneho nástavca **3** proti smeru hodinových ručičiek tak, aby sa dal uvoľniť zo skleného dielu **A** mixážneho nástavca **3**.

Pozor!

Opatrne manipulujte s nožmi **C**. Sú veľmi ostré.
Nebezpečenstvo poranenia!

- ⇒ Oba diely poriadne vyčistíte v miernom mydlovom roztoku alebo v umývačke riadu.
- ⇒ Nasadíte plastový diel **D** mixážneho nástavca **3** znova na sklený diel **A** mixážneho nástavca **3**. Dajte pozor na to, aby bol nasadený tesniaci krúžok **E**.

Čistenie bloku motora

- ⇒ Na čistenie povrchov z umelej hmoty používajte len suchú alebo najvyšš mierne navlhčenú utierku.
- ⇒ Pri každom čistení kontrolujte, či nie je kontaktný spínač vo vyhlbenine pre mixážny nástavec **3** zanesený zvyškami nečistôt. Ak nemôžete prípadné prekážky uvoľniť rohom listu papiera, obráťte sa na zákaznícky servis. V žiadnom prípade nepoužite tvrdý predmet, lebo by sa tým mohol kontaktný spínač poškodiť.
- ⇒ Prípadné nečistoty na spodnej strane bloku motora **7** odstráňte výlučne suchou handrou alebo štetcom na prach. Dajte pozor na to, aby sa nič nedostalo do prístroja cez vetracie otvory.

Po čistení

Nechajte všetky diely znova dobre vyschnúť, než mixér poskladáte a budete používať.

Uskladnenie

- ⇒ Keď nebudete mixér po dlhšiu dobu používať, poriadne ho vyčistíte (pozri kapitola „Čistenie“).
- ⇒ Oviňte sieťovú šnúru **6** okolo kolíkov na navíjanie kábla **8** na spodnej časti bloku motora **7**.
- ⇒ Uskladnite mixér na suchom a chladnom mieste.

Likvidácia



Prístroj v žiadnom prípade nevyhadzujte do normálneho domového odpadu. Tento výrobok podlieha európskej smernici 2012/19/EU.

Zlikvidujte prístroj v príslušnom zariadení (firme) na likvidáciu odpadu.

Dodržiňte aktuálne platné predpisy. V prípade pochybností sa obráťte na zariadenia na likvidáciu odpadu.



Všetok baliaci materiál zlikvidujte ekologickým spôsobom.

Záruka a servis

Na tento prístroj máte trojročnú záruku od dátumu nákupu. Prístroj bol starostlivo vyrobený a pred expedíciou dôkladne vyskúšaný.

Ušchovajte si, prosím, účtenku ako dôkaz o nákupe. V prípade uplatňovania záruky sa spojte s opravovňou telefonicky. Len tak sa dá zabezpečiť bezplatné zaslanie tovaru.

Záruka platí len na chyby materiálu a výroby, nie na poškodenia spôsobené prepravou, opotrebením ani na poškodenia krehkých častí, ako sú spínače alebo akumulátory. Výrobok je určený výlučne na súkromné používanie a nie na komerčné účely.

Záruka prestáva platiť pri zaobchádzaní nezodpovedajúcom účelu, pri neprimeranom zaobchádzaní, pri používaní násilia a pri zásahoch, ktoré neurobil nami autorizovaný servis. Práva vyplývajúce zo záruka nie sú touto zárukou obmedzené.

Záručná doba sa nepredlžuje o dobu trvania záručných opráv. To platí aj na vymenené alebo opravené diely. Prípadné poškodenia a nedostatky zistené už pri nákupe musíte ohlásiť ihneď po vybalení, najneskoršie však do dvoch dní od dátumu zakúpenia. V prípade opráv spadajúcich do obdobia po uplynutí záručnej doby ste povinní uhradiť vzniknuté náklady.

 **Servis Slovensko**

Tel.: 0850 232001

E-Mail: kompernass@lidl.sk

IAN 100484

Dostupnosť hotline:

pondelok až piatok od 8:00 hod. - 20:00 hod.

(SEČ)

Dovozca

KOMPERNASS HANDELS GMBH

BURGSTRASSE 21

44867 BOCHUM

GERMANY

www.kompernass.com

INHALTSVERZEICHNIS	SEITE
Einleitung	74
Bestimmungsgemäßer Gebrauch	74
Lieferumfang	74
Gerätebeschreibung	74
Technische Daten	74
Sicherheitshinweise	75
Auspacken	77
Aufstellen	77
Bedienen	77
Mixaufsatz befüllen und montieren.....	77
Geschwindigkeitsstufe wählen.....	77
Einfüllen im Betrieb.....	78
Mixaufsatz abnehmen.....	78
Nützliche Hinweise	78
Rezepte	79
Bananen-Shake.....	79
Vanille-Shake.....	79
Cappuccino-Shake.....	79
Tropical-Mix.....	79
Nuss-Nougat-Shake.....	79
Möhren-Shake.....	79
Johannisbeer-Mix.....	79
Hawaii-Shake.....	80
Fruchtiger Ananas-Erdbeer-Mix.....	80
Andalusische kalte Suppe (Gazpacho).....	80
Reinigen	80
Mixaufsatz reinigen.....	81
Motorblock reinigen.....	82
Nach dem Reinigen.....	82
Aufbewahren	82
Entsorgen	82
Garantie und Service	82
Importeur	83

Standmixer

Einleitung

Herzlichen Glückwunsch zum Kauf Ihres neuen Gerätes.

Sie haben sich damit für ein hochwertiges Produkt entschieden. Die Bedienungsanleitung ist Bestandteil dieses Produkts. Sie enthält wichtige Hinweise für Sicherheit, Gebrauch und Entsorgung. Machen Sie sich vor der Benutzung des Produkts mit allen Bedien- und Sicherheitshinweisen vertraut. Benutzen Sie das Produkt nur wie beschrieben und für die angegebenen Einsatzbereiche. Händigen Sie alle Unterlagen bei Weitergabe des Produkts an Dritte mit aus.

Bestimmungsgemäßer Gebrauch

Dieses Gerät ist ausschließlich bestimmt für ...

- das Mischen, Pürieren und Rühren von Lebensmitteln sowie Zerkleinern von Eiswürfeln (sog. "Crushen"),
- haushaltsübliche Mengen und nur in privaten Haushalten in trockenen Räumen.

Dieses Gerät ist nicht bestimmt für ...

- das Zerkleinern von harten Lebensmittelanteilen wie z.B. Nüsse, Kerne, große Körner oder Stiele,
- das Verarbeiten von Materialien, die nicht Lebensmittel sind,
- den Einsatz für gewerbliche oder industrielle Zwecke,
- die Verwendung in feuchter Umgebung oder im Freien,
- das Verarbeiten von heißen/kochenden Flüssigkeiten.

Verwenden Sie nur Zubehör- und Ersatzteile, die für dieses Gerät bestimmt sind. Andere Teile sind möglicherweise nicht ausreichend geeignet oder sicher!

Lieferumfang


Kontrollieren Sie nach dem Auspacken die Lieferung auf Vollständigkeit. Im Lieferumfang enthalten ist:

- 1 x Motorblock, mit Netzkabel und Netzstecker
- 1 x Mixaufsatz, mit fest montiertem Schneidmesser
- 1 x Deckel
- 1 x Dosierkappe
- 1 x Bedienungsanleitung

Gerätebeschreibung

- 1 Dosierkappe
- 2 Deckel
- 3 Mixaufsatz
- 4 Schneidmesser
- 5 Schalter
- 6 Netzkabel
- 7 Motorblock
- 8 Kabelaufwicklung
- 9 Skala

Technische Daten

Nennspannung:	220 - 240 V~, 50 Hz
Nennleistung:	550 Watt
Max. Einfüllmenge:	1,75 l
Schutzklasse:	II 
KB-Zeit:	3 Minuten

Die KB-Zeit (Kurzbetriebszeit) gibt an, wie lange man ein Gerät betreiben kann, ohne dass der Motor überhitzt und Schaden nimmt. Nach der angegebenen KB-Zeit muss das Gerät solange ausgeschaltet werden, bis sich der Motor auf Raumtemperatur abgekühlt hat.

Sicherheitshinweise

⚠ Um Lebensgefahr durch elektrischen Schlag zu vermeiden:

- Stellen Sie sicher, dass der Motorblock, das Netzkabel oder der Netzstecker niemals in Wasser oder andere Flüssigkeiten getaucht wird.
- Verwenden Sie das Gerät ausschließlich in trockenen Räumen, niemals im Freien oder in feuchter Umgebung.
- Achten Sie darauf, dass im Betrieb das Netzkabel niemals nass oder feucht wird. Führen Sie es so, dass es nicht eingeklemmt oder anderweitig beschädigt werden kann.
- Lassen Sie beschädigte Netzstecker oder Netzkabel sofort von autorisiertem Fachpersonal oder dem Kundenservice austauschen, um Gefährdungen zu vermeiden.
- Ziehen Sie nach Gebrauch immer den Stecker aus der Steckdose. Ausschalten alleine genügt nicht, weil noch immer Netzspannung im Gerät anliegt, solange der Netzstecker in der Steckdose steckt.
- Kontrollieren Sie vor jedem Gebrauch das Gerät auf seinen einwandfreien Zustand. Das Gerät darf nicht verwendet werden, wenn Schäden erkennbar sind, insbesondere an dem Motorblock oder gläsernen Mixaufsatz.
- Ziehen Sie sofort den Netzstecker aus der Steckdose, wenn Sie eine ungewöhnliche Geräusch- oder Geruchsentwicklung wahrnehmen oder bei erkennbarer Fehlfunktion.

⚠ Um Überhitzung und Brandgefahr zu vermeiden:

- Verwenden Sie das Gerät nicht im Bereich direkter Sonneneinstrahlung oder Wärmeeinwirkung hitzezeugender Geräte.
- Füllen Sie niemals kochende Flüssigkeiten oder sehr heiße Lebensmittel in den Mixaufsatz! Lassen Sie diese erst auf handwarme Temperatur abkühlen. Andernfalls kann das Gerät überhitzen und auch das Glas des Mixaufsatzes springen!
- Betreiben Sie das Gerät niemals im Leerzustand, d.h. ohne Zutaten im Mixaufsatz.

⚠ Um Unfall- und Verletzungsgefahr zu vermeiden:

- Greifen Sie niemals in den Mixaufsatz, insbesondere nicht im Betrieb.
Die Messer sind extrem scharf!
- Öffnen Sie nicht den Deckel, wenn das Gerät in Betrieb ist. Andernfalls können Lebensmittelteile mit hoher Geschwindigkeit herausfliegen!
- Führen Sie niemals Besteckteile oder Rührgegenstände in den Mixaufsatz, solange das Gerät in Betrieb ist. Es besteht erhebliche Verletzungsgefahr, wenn diese das sich sehr schnell drehende Messer berühren!
- Lassen Sie das Gerät nicht unbeaufsichtigt arbeiten, um bei Gefahr sofort reagieren zu können.
- Kinder sollten beaufsichtigt werden, um sicherzustellen, dass sie nicht mit dem Gerät spielen.
- Missbrauchen Sie das Gerät nicht für andere Zwecke, als in dieser Anleitung beschrieben.
- Das Gerät ist bei nicht vorhandener Aufsicht und vor dem Zusammenbau, dem Auseinandernehmen oder Reinigen stets vom Netz zu trennen.
- Das Gerät darf nicht von Kindern benutzt werden.
- Das Gerät und seine Anschlussleitung sind von Kindern fernzuhalten.
- Dieses Gerät kann von Personen mit reduzierten physischen, sensorischen oder mentalen Fähigkeiten oder Mangel an Erfahrung und/oder Wissen benutzt werden, wenn sie beaufsichtigt oder bezüglich des sicheren Gebrauchs des Gerätes unterwiesen wurden und die daraus resultierenden Gefahren verstanden haben.
- Kinder dürfen nicht mit dem Gerät spielen.
- Seien Sie vorsichtig beim Umgang mit dem Gerät. Die Messer sind sehr scharf!
- Gehen Sie vorsichtig beim Leeren des Mixaufsatzes vor! Die Messer sind sehr scharf!
- Gehen Sie vorsichtig beim Reinigen des Gerätes vor! Die Messer sind sehr scharf!
- Schalten Sie das Gerät aus und ziehen Sie den Netzstecker, bevor Sie Zubehör wechseln oder Teile anfassen, die sich während des Betriebs bewegen.
- Verwenden Sie den Mixaufsatz nur mit dem mitgelieferten Motorblock!
- Stellen Sie sicher, dass der Mixer immer ausgeschaltet ist, bevor Sie ihn vom Motorblock heben!

Auspacken

- Entfernen Sie alle Verpackungsteile oder Schutzfolien vom Gerät. Bewahren Sie die Verpackung auf, um das Gerät geschützt lagern oder einstecken zu können, z.B. im Reparaturfall.
- Bevor Sie das Gerät verwenden, überzeugen Sie sich davon, dass das Gerät unbeschädigt ist, ebenso das Netzkabel mit Netzstecker und alle Zubehör- und Geräteteile.
- Reinigen Sie sorgfältig alle Bestandteile vor dem ersten Gebrauch des Standmixers (siehe "Reinigen").

Aufstellen

Wenn Sie alle Teile gereinigt haben, wie unter "Reinigen" beschrieben:

- ⇒ Stellen Sie das Gerät so auf, ...
 - dass das Netzkabel **6** durch die Aussparung an der Rückseite geführt wird,
 - dass der Netzstecker sofort erreichbar ist, um diesen bei Gefahr aus der Steckdose ziehen zu können,
 - dass es stabil und rutschfest steht, so dass die Saugnäpfe Halt finden, damit bei Vibrationen das Gerät nicht umkippt,
 - dass das Netzkabel **6** nicht in den Arbeitsbereich ragt und durch versehentliches Ziehen daran das Gerät umkippen kann.

Bedienen

Warnung!

Der Motor schaltet sich aus, sobald der Mixaufsatz **3** vom Motorblock **7** entfernt wird. Es wird dann vielleicht übersehen, dass die Maschine noch eingeschaltet ist. Der Motor startet dann unvermutet, sobald der Mixaufsatz **3** montiert wird:

Deshalb:

- Stecken Sie den Netzstecker erst dann in die Steckdose, sobald der Mixaufsatz **3** fertig befüllt und verschlossen montiert ist.
- Vergewissern Sie sich vor dem Montieren stets, dass das Gerät ausgeschaltet oder der Netzstecker gezogen ist.
- Schalten Sie erst aus, ziehen Sie den Netzstecker und warten Sie den Stillstand des Motors ab, bevor Sie den Mixaufsatz **3** abnehmen.

Mixaufsatz befüllen und montieren

- ⇒ Nehmen Sie den Mixaufsatz **3** vom Motorblock **7** und entfernen Sie den Deckel **2**.
- ⇒ Befüllen Sie den Mixaufsatz **3** und drücken Sie anschließend den Deckel **2** wieder fest auf den Mixaufsatz **3**. Achten Sie darauf, dass auch die Ausgießnase am Mixaufsatz **3** verschlossen ist.
- ⇒ Stecken Sie die Dosierkappe **1** in die Deckelöffnung und drehen Sie diese im Uhrzeigersinn zu.
- ⇒ Setzen Sie den fertig befüllten und verschlossenen Mixaufsatz **3** auf den Motorblock **7**. Drehen Sie den Mixaufsatz **3** leicht, bis Sie diesen herunter drücken können. Nur wenn der Mixaufsatz **3** bündig aufgesetzt ist, kann der Motor starten.

Geschwindigkeitsstufe wählen

Wenn der Mixaufsatz **3** fertig befüllt und vollständig verschlossen auf dem Motorblock **7** steht, können Sie das Gerät einschalten.

⇨ Stellen Sie den Schalter **5** auf ...

- **Stufe 1-3**

für flüssige oder mittelfeste Lebensmittel, zum Mischen, Pürieren und Rühren

- **Stufe 3-5**

für festere Lebensmittel oder zum Zerkleinern

- **Stufe Ice Crush/Clean**

für kurzen, kraftvollen Impulsbetrieb, z.B. zum Crushen von Eiswürfeln oder zur Reinigung. Der Schalter **5** rastet in dieser Stellung nicht ein, um den Motor nicht zu überlasten. Halten Sie den Schalter **5** deshalb nur kurz in dieser Stellung.

i Hinweis

Befüllen Sie den Mixaufsatz **3** mit maximal 180 g Eiswürfeln. Ansonsten zerkleinert das Gerät die Eiswürfel nicht optimal.

Einfüllen im Betrieb

⚠ Warnung!

Wenn Sie bei laufendem Betrieb etwas einfüllen möchten, dürfen Sie ausschließlich die dafür eigens vorgesehene Dosierkappe **1** öffnen.

- Öffnen Sie keinesfalls den Deckel **2**. Es können Lebensmittelteile mit hoher Geschwindigkeit herausfliegen!
- Führen Sie niemals Besteckteile oder Rührgegenstände in den Mixaufsatz **3**, solange das Gerät in Betrieb ist. Es besteht erhebliche Verletzungsgefahr, wenn diese das sich sehr schnell drehende Schneidmesser **4** berühren!

Um bei laufendem Betrieb etwas einfüllen zu können, ...

- ⇨ drehen Sie die Dosierkappe **1** entgegen dem Uhrzeigersinn auf und nehmen diese heraus.
- ⇨ Füllen Sie die Zutaten ein.
- ⇨ Anschließend stecken Sie die Dosierkappe **1** wieder in die Deckelöffnung und drehen Sie diese im Uhrzeigersinn zu.

Mixaufsatz abnehmen

Wenn die Bearbeitung der eingefüllten Lebensmittel beendet ist:

- ⇨ Stellen Sie immer erst den Schalter **5** in Aus-Stellung („OFF“) und ziehen Sie den Netzstecker.
- ⇨ Warten Sie erst den Stillstand des Motors ab, bevor Sie den Mixaufsatz **3** gerade nach oben herausheben. Der Mixaufsatz **3** braucht dabei nicht gedreht zu werden.

Nützliche Hinweise

- Um beim Pürieren fester Zutaten beste Ergebnisse zu erzielen, geben Sie nach und nach nur kleine Portionen in den Mixaufsatz **3**, anstatt eine große Menge auf einmal einzufüllen.
- Wenn Sie feste Zutaten verarbeiten, schneiden Sie diese in kleine Stücke (2-3 cm).
- Beim Mixen flüssiger Zutaten beginnen Sie zunächst mit einer geringen Menge Flüssigkeit. Geben Sie dann nach und nach mehr Flüssigkeit durch die Deckelöffnung hinzu.
- Wenn Sie bei laufendem Betrieb Ihre Hand oben auf den verschlossenen Standmixer legen, können Sie das Gerät damit gut stabilisieren.
- Für das Rühren von festen oder sehr dickflüssigen Lebensmitteln kann es nützlich sein, die Stufe Ice Crush/Clean zu verwenden, um ein Festsetzen des Schneidmessers **4** zu verhindern.

i Hinweis

Benutzen Sie das Gerät nicht, um die Körnung von Speisesalz, Raffinadezucker oder weißem Zucker zu verringern. Zum Beispiel, um Puderzucker herzustellen.

Rezepte

Bananen-Shake

2 Bananen

ca. 2 Esslöffel Zucker (je nach Reifegrad der Bananen und persönlichem Geschmack)

1/2 Liter Milch

1 Spritzer Zitronensaft

Schälen Sie die Bananen und pürieren Sie sie auf Stufe 2. Geben Sie nach und nach die Milch, dann den Zucker und den Zitronensaft hinzu. Mixen Sie alles so lange, bis eine gleichmäßige Flüssigkeit entsteht.

Servieren Sie den Shake eisgekühlt.

Vanille-Shake

1/4 Liter Milch

250 g Vanilleeis

125 ml Eiswürfel

1 1/2 Teelöffel Zucker

Crushen Sie die Eiswürfel mit der Stufe Ice Crush/Clean. Füllen Sie die restlichen Zutaten in den Mixer. Mixen Sie alles so lange auf Stufe 2, bis eine gleichmäßige Flüssigkeit entsteht.

Cappucino-Shake

65 ml kalten Espresso (oder sehr starken Kaffee)

65 ml Milch

15 g Zucker

65 ml Vanille Eis

100 ml gecrushte Eiswürfel

Crushen Sie die Eiswürfel mit der Stufe Ice Crush/Clean. Geben Sie den Espresso, die Milch und den Zucker hinzu. Mixen Sie alles auf der Stufe 2, bis sich der Zucker aufgelöst hat. Geben Sie zum Schluss das Vanilleeis hinzu und mixen Sie alles kurz auf der Stufe 1 durch.

Tropical-Mix

125 ml Ananassaft

60 ml Papayasaft

50 ml Orangensaft

1/2 kleine Dose Pfirsiche mit Saft

125 ml Eiswürfel

Crushen Sie die Eiswürfel mit der Stufe Ice Crush/Clean.

Geben Sie alle Zutaten in den Mixer und mischen Sie alles auf Stufe 3 durch.

Nuss-Nougat-Shake

1/2 Liter Milch

200 g Nuss-Nougat-Creme

1 Kugel Vanilleeis

50 ml Sahne

Vermengen Sie alle Zutaten im Mixer auf Stufe 3, bis alles gleichmäßig vermischt ist.

Möhren-Shake

300 ml Apfelsaft

500 ml Möhrensaft

4 Esslöffel Öl (Weizenkeim- oder Rapsöl)

4 Esslöffel Zitronensaft

Ingwerpulver

Pfeffer

Geben Sie den Apfelsaft, das Öl und den Zitronensaft in den Mixer und mischen Sie alles auf Stufe 2. Geben Sie dann den Möhrensaft hinzu und mixen Sie alles auf Stufe 2 durch. Schmecken Sie dann den Shake mit Ingwerpulver und Pfeffer ab.

Johannisbeer-Mix

2 Teelöffel Honig

2 Bananen

1/4 Liter Buttermilch

1/4 Liter Johannisbeersaft (schwarz)

Geben Sie alle Zutaten in den Mixer und mixen Sie alles auf Stufe 3 durch.

Hawaii-Shake

- 4 Bananen
- 1/4 Liter Ananassaft
- 1/2 Liter Milch
- 2 EL Honig
- 1/4 Liter Rum

Schälen Sie die Bananen und pürieren Sie sie auf Stufe 2. Geben Sie die weiteren Zutaten hinzu und vermengen Sie alles auf Stufe 1.

Fruchtiger Ananas-Erdbeer-Mix

- 250 ml Ananassaft
- 200 g Erdbeeren
- 300 ml Apfelsaft
- 4 Eiswürfel

Crushen Sie die Eiswürfel mit der Stufe Ice Crush/Clean. Waschen Sie die Erdbeeren und entfernen Sie das Grün. Pürieren Sie sie auf Stufe 2. Geben Sie dann die restlichen Zutaten hinzu und mixen Sie alles auf Stufe 1.

Andalusische kalte Suppe (Gazpacho)

- 1/2 Gurke
- 1 Fleischtomate
- 1 Grüne Paprika
- 1/2 Zwiebel
- 1 Knoblauchzehe
- 1/2 weißes Brötchen
- 1/2 Teelöffel Salz
- 1 Teelöffel Rotweinessig
- 1 Esslöffel Olivenöl

Schneiden Sie das Gemüse in ca. 2 cm große Stücke. Geben Sie zuerst die Tomatenstücke und danach die Gurke in den Mixer. Pürieren Sie diese auf Stufe 3. Fügen Sie die restlichen Zutaten hinzu und pürieren/durchmengen Sie alles auf Stufe 3, bis eine gleichmäßige Suppe entsteht. Servieren Sie das ganze mit Brot.

Hinweis

Rezepte ohne Gewähr. Alle Zutaten- und Zubereitungsangaben sind Anhaltswerte. Ergänzen Sie diese Rezeptvorschläge um Ihre persönlichen Erfahrungswerte.

Hinweis


Bei Laktose-Intoleranz empfehlen wir Ihnen laktosefreie Milch zu verwenden. Bedenken Sie dabei jedoch, dass laktosefreie Milch ein wenig süßer ist.

Reinigen

Vorsicht!

Bevor Sie den Standmixer und seine Teile reinigen:

- Stellen Sie sicher, dass das Gerät ausgeschaltet und der Netzstecker gezogen ist.

 Auf keinen Fall darf der Motorblock **7** in Wasser oder andere Flüssigkeiten getaucht werden. Hierdurch kann Lebensgefahr durch elektrischen Schlag entstehen und das Gerät kann beschädigt werden.

- Öffnen Sie niemals das Gehäuse des Gerätes. Andernfalls kann Lebensgefahr bestehen durch elektrischen Schlag.
- Demontieren Sie niemals das Schneidmesser **4** und greifen Sie auch niemals in den Mixaufsatz **3**. Das Schneidmesser **4** ist extrem scharf!
- Verwenden Sie keine Lösungs- oder Scheuermittel für die Kunststoffflächen, diese können andernfalls beschädigt werden.

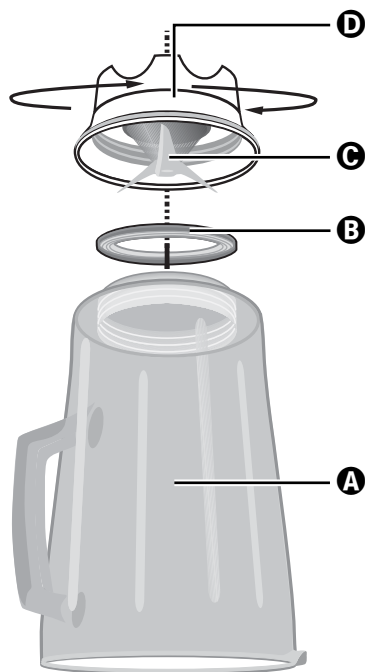
Mixaufsatz reinigen

- ⇨ Reinigen Sie den Mixaufsatz **3** nur mit einer langstieligen Spülbürste, so dass Sie sich nicht am Schneidmesser **4** verletzen können.
- ⇨ Bei hartnäckiger Verschmutzung können Sie den Mixaufsatz **3** auch in der Spülmaschine reinigen lassen. Demontieren Sie dafür immer den Mixaufsatz **3**, wie später beschrieben.
- ⇨ Reinigen Sie den Deckel **2** und die Dosierkappe **1** in der Spülmaschine oder beim normalen Geschirrspülen.

Wenn Sie direkt nach der Benutzung den Standmixer reinigen, erzielen Sie eine in den meisten Fällen ausreichende hygienische Reinigung durch folgende Alternative:

- ⇨ Füllen Sie den Mixaufsatz **3** mit 750 ml Wasser und geben Sie einige Tropfen eines milden Spülmittels dazu. Schließen den Deckel **2** und setzen den Mixaufsatz **3** auf den Motorblock **7**. Stecken Sie den Netzstecker in die Steckdose und betätigen Sie ein paar Mal den Ice Crush/Clean-Betrieb, so dass das Schneidmesser **4** mit maximaler Drehzahl durch das Wasser pflügt. Spülen Sie danach den Mixaufsatz **3** mit viel klarem Wasser aus, so dass alle Spülmittelreste beseitigt sind.

Sollte sich der Schmutz nicht lösen, können Sie den unteren Plastikteil des Mixaufsatzes **3** mit dem Schneidmesser **4** vom Glasteil des Mixaufsatzes **3** lösen:



- A** Glasteil
- B** Dichtungsring
- C** Messer
- D** Plastikteil

- ⇨ Nehmen Sie den Mixaufsatz **3** vom Motorblock **7**.
- ⇨ Drehen Sie das Plastikteil **D** des Mixaufsatzes **3** gegen den Uhrzeigersinn, so dass es sich vom Glasteil **A** des Mixaufsatzes **3** lösen lässt.

⚠ Achtung!

Gehen Sie vorsichtig mit den Messern **C** um. Sie sind sehr scharf. Verletzungsgefahr!

- ⇒ Reinigen Sie beide Teile gründlich in milder Seifenlauge oder in der Spülmaschine.
- ⇒ Setzen Sie das Plastikteil **D** des Mixaufsatzes **3** wieder auf den Glasteil **A** des Mixaufsatzes **3**. Achten Sie darauf, dass der Dichtungsring **B** eingesetzt ist.

Motorblock reinigen

- ⇒ Verwenden Sie ein trockenes oder höchstens leicht angefeuchtetes Tuch, um die Oberflächen zu reinigen.
- ⇒ Kontrollieren Sie bei jeder Reinigung, dass der Kontaktschalter in der Aufnahme für den Mixaufsatz **3** nicht durch Schmutzreste blockiert ist. Wenn Sie eventuelle Blockierungen nicht mit der Ecke von einem Blatt Papier lösen können, wenden Sie sich an den Kundendienst. Verwenden Sie auf keinen Fall einen harten Gegenstand, der Kontaktschalter könnte dadurch beschädigt werden.
- ⇒ Entfernen Sie eventuelle Verschmutzungen an der Unterseite des Motorblocks **7** ausschließlich mit einem trockenen Tuch oder einem Staubpinsel. Achten Sie darauf, dass nichts durch die Lüftungsöffnungen in das Gerät gelangt.

Nach dem Reinigen

Lassen Sie alle Teile wieder gut trocknen, bevor Sie den Standmixer wieder zusammensetzen und verwenden.

Aufbewahren

- ⇒ Wenn Sie den Standmixer längere Zeit nicht verwenden, reinigen Sie ihn gründlich (siehe Kapitel „Reinigen“).
- ⇒ Wickeln Sie das Netzkabel **6** um die Kabelaufwicklung **8** am Boden des Motorblocks **7**.
- ⇒ Bewahren Sie den Standmixer an einem kühlen, trockenen Ort auf.

Entsorgen



Werfen Sie das Gerät keinesfalls in den normalen Hausmüll. Dieses Produkt unterliegt der europäischen Richtlinie 2012/19/EU.

Entsorgen Sie das Gerät über einen zugelassenen Entsorgungsbetrieb oder über Ihre kommunale Entsorgungseinrichtung.

Beachten Sie die aktuell geltenden Vorschriften.

Setzen Sie sich im Zweifelsfall mit Ihrer Entsorgungseinrichtung in Verbindung.



Führen Sie alle Verpackungsmaterialien einer umweltgerechten Entsorgung zu.

Garantie und Service

Sie erhalten auf dieses Gerät 3 Jahre Garantie ab Kaufdatum. Das Gerät wurde sorgfältig produziert und vor Anlieferung gewissenhaft geprüft.

Bitte bewahren Sie den Kassenbon als Nachweis für den Kauf auf. Bitte setzen Sie sich im Garantiefall mit Ihrer Servicestelle telefonisch in Verbindung. Nur so kann eine kostenlose Einsendung Ihrer Ware gewährleistet werden.

Die Garantieleistung gilt nur für Material- oder Fabrikationsfehler, nicht aber für Transportschäden, Verschleißteile oder für Beschädigungen an zerbrechlichen Teilen, z. B. Schalter oder Akkus. Das Produkt ist lediglich für den privaten und nicht für den gewerblichen Gebrauch bestimmt.

Bei missbräuchlicher und unsachgemäßer Behandlung, Gewaltanwendung und bei Eingriffen, die nicht von unserer autorisierten Service-Niederlassung vorgenommen wurden, erlischt die Garantie. Ihre gesetzlichen Rechte werden durch diese Garantie nicht eingeschränkt.

Die Garantiezeit wird durch die Gewährleistung nicht verlängert. Dies gilt auch für ersetzte und reparierte Teile. Eventuell schon beim Kauf vorhandene Schäden und Mängel müssen sofort nach dem Auspacken gemeldet werden, spätestens aber zwei Tage nach Kaufdatum. Nach Ablauf der Garantiezeit anfallende Reparaturen sind kostenpflichtig.

DE Service Deutschland

Tel.: 0800 5435 111

(Kostenfrei aus dem dt. Festnetz/Mobilfunknetz)

E-Mail: kompernass@lidl.de

IAN 100484

AT Service Österreich

Tel.: 0820 201 222 (0,15 EUR/Min.)

E-Mail: kompernass@lidl.at

IAN 100484

CH Service Schweiz

Tel.: 0842 665566 (0,08 CHF/Min.,

Mobilfunk max. 0,40 CHF/Min.)

E-Mail: kompernass@lidl.ch

IAN 100484

Erreichbarkeit Hotline:

Montag bis Freitag von 8:00 Uhr - 20:00 Uhr (MEZ)

Importeur

KOMPERNASS HANDELS GMBH

BURGSTRASSE 21

44867 BOCHUM

GERMANY

www.kompernass.com

KOMPERNASS HANDELS GMBH

BURGSTRASSE 21

44867 BOCHUM

DEUTSCHLAND / GERMANY

www.kompernass.com

Last Information Update · Stan informacij · Információk állása
Stanje informacij · Stav informací · Stav informácií · Stand der
Informationen: 04 / 2014 · Ident.-No.: SSM550D1-032014-1

IAN 100484

