



FILE BELT SANDER PBF 400 A1

GB IE

FILE BELT SANDER

Operation and Safety Notes
Translation of the original instructions

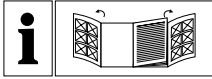
DE AT CH

BANDFEILE

Bedienungs- und Sicherheitshinweise
Originalbetriebsanleitung

IAN 115720

GB IE



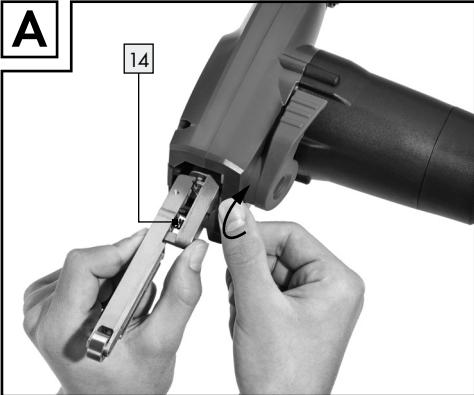
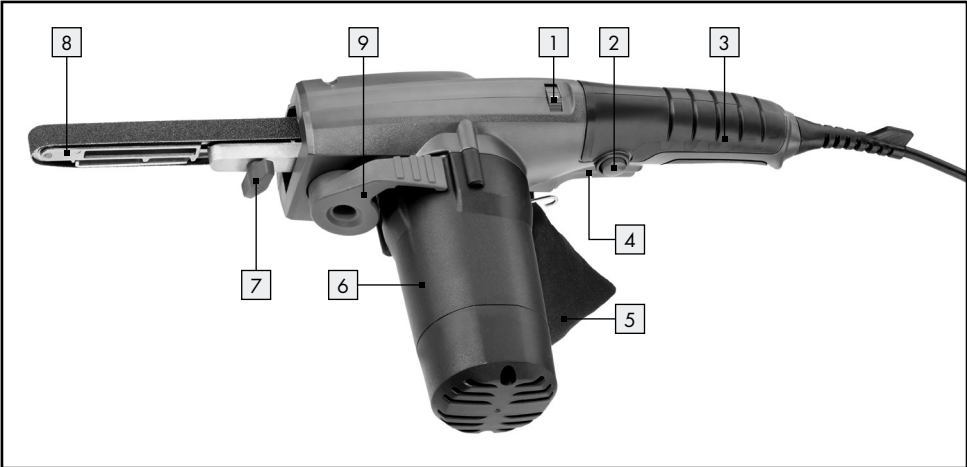
GB IE

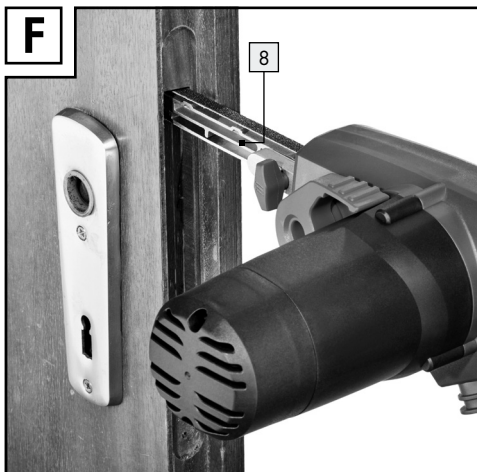
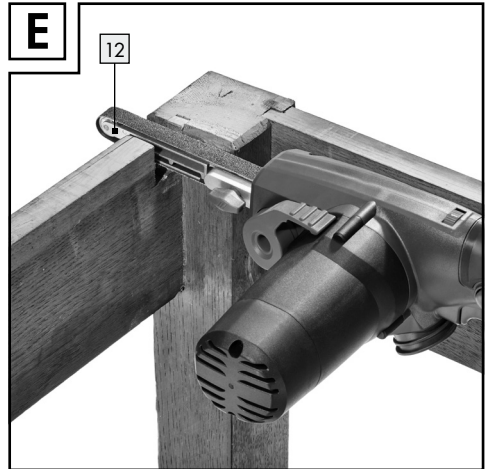
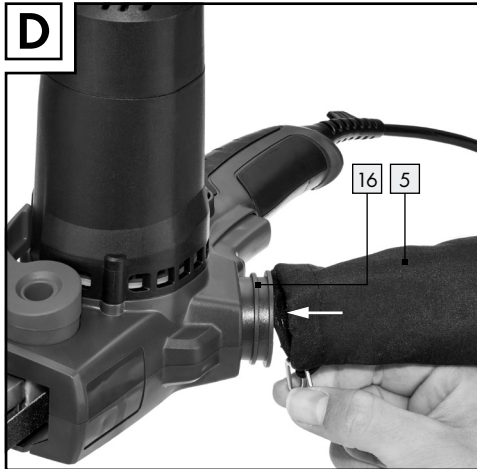
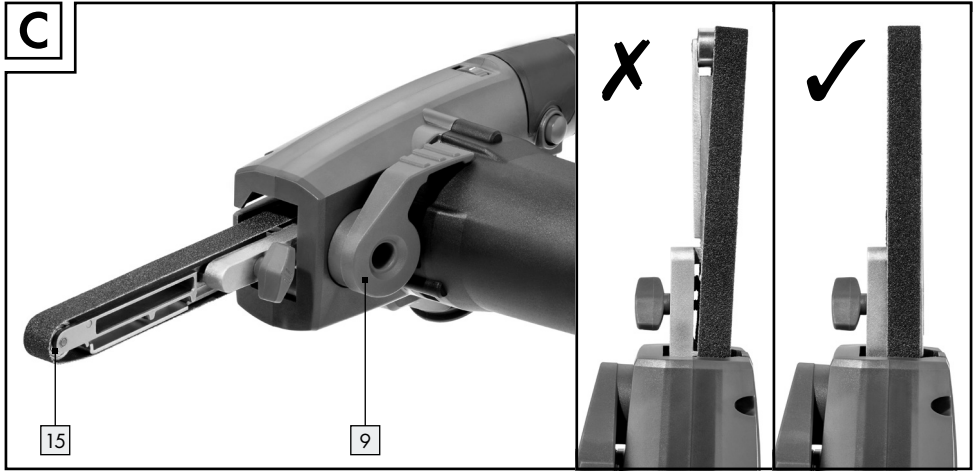
Before reading, unfold both pages containing illustrations and familiarise yourself with all functions of the device.

DE AT CH

Klappen Sie vor dem Lesen die beiden Seiten mit den Abbildungen aus und machen Sie sich anschließend mit allen Funktionen des Gerätes vertraut.

GB / IE	Operation and Safety Notes	Page	5
DE / AT / CH	Bedienungs- und Sicherheitshinweise	Seite	13





Introduction

Intended use.....	Page 6
Features	Page 6
Scope of delivery	Page 6
Technical Data	Page 6

General power tool safety warnings

1. Work area safety	Page 7
2. Electrical safety	Page 7
3. Personal safety	Page 7
4. Power tool use and care.....	Page 8
5. Service	Page 8
Safety instructions for band files	Page 8

Start-up

Installing the grinding frame	Page 9
Changing the grinding frame	Page 9
Clamping / changing the abrasive belt	Page 10
Dust extraction	Page 10

Operation

Switching on and off	Page 10
Selecting the speed and abrasive belt	Page 11
Tips and tricks	Page 11

Maintenance and Cleaning Page 11**Service centre** Page 11**Warranty** Page 11**Disposal** Page 12**Translation of the original declaration of conformity /
Manufacturer** Page 12

File belt sander PBF 400 A1

● **Introduction**

We congratulate you on the purchase of your new device. You have chosen a high quality product. The instructions for use are part of the product. They contain important information concerning safety, use and disposal. Before using the product, please familiarise yourself with all of the safety information and instructions for use. Only use the unit as described and for the specified applications. If you pass the product on to anyone else, please ensure that you also pass on all the documentation with it.

● **Intended use**

The band file is designed for filing, particularly hard to reach areas, of wood, plastic, metal and filler, as well as painted surfaces. Be sure to use different grits for working on the different materials and to also adjust the speed according to the material. The device is not intended for commercial use. Any other uses, and/or modifications to the tool are considered improper use and may result in serious hazards. The manufacturer is not liable for any damages caused by improper use.

● **Features**

- 1 Speed control
- 2 Locking button
- 3 Handle
- 4 ON/OFF switch
- 5 Dust bag
- 6 Side handle
- 7 Mounting and adjusting screw
- 8 Grinding frame, large
- 9 Clamping lever
- 10 Extraction adapter
- 11 Abrasive belt
- 12 Grinding frame, small
- 13 Grinding frame, angled
- 14 Spring

- 15 Front roller
- 16 Adapter connection

● **Scope of delivery**

- 1 File belt sander PBF 400 A1
- 5 Abrasive belts for metal, wood, 8 x 455 mm (2 x 60 grit, 2 x 80 grit, 1 x 120 grit)
- 5 Abrasive belts for metal, wood, 13 x 455 mm (2 x 60 grit, 2 x 80 grit, 1 x 120 grit)
- 1 Dust bag
- 1 Extraction adapter (for external dust collection)
- 1 Straight frame, 8 mm
- 1 Straight frame, 13 mm
- 1 Angled frame, 13 mm
- 1 Carrying case
- 1 Set of instructions for use

● **Technical Data**

File belt sander PBF 400 A1

- Rated voltage: 230 V~ 50 Hz
- Rated power input: 400 W
- Idle speed: n_0 2350–3600 rpm
- Idle belt speed: 1070–1650 m/min
- Abrasive belt: 8 x 455 mm and 13 x 455 mm
- Protection class: II/□

Noise and vibration data:

Measured sound value determined according to EN ISO 4871. The A-rated noise levels of the electrical power tool are typically at:
Sound pressure level L_{pA} : 82 dB(A)
Sound power level L_{WA} : 93 dB(A)
Uncertainty K: 3 dB

Wear ear protection!

The total vibration (vector sum of three directions) is calculated in accordance with EN 60745:
Vibration emission value: $a_h = 4.0 \text{ m/s}^2$
Uncertainty K = 1.5 m/s^2

Note: The vibration emission value specified in these instructions was measured in accordance with an EN 60745 standardised measurement procedure and can be used to compare tools. The vibration emission value specified can also serve as a preliminary assessment of the exposure.

⚠ WARNING! Different uses of the power tool give rise to different vibration emission values and in many cases they may exceed the values specified in these instructions. It is easy to underestimate the vibration load if the power tool is used regularly in particular circumstances.

Try to keep the vibration loads as low as possible. Measures to reduce the vibration load are, e.g. wearing gloves during use and limiting the working time. All states of operation must be included (e.g. times when the power tool is switched off and times where the power tool is switched on but running without load).

● General power tool safety warnings



⚠ WARNING! Read all safety warnings and all instructions.

Failure to follow the warnings and instructions may result in electric shock, fire and/or serious injury.

Save all warnings and instructions for future reference.

The term “power tool” in the warnings refers to your mains-operated (corded) power tool or battery-operated (cordless) power tool.

1. Work area safety

- a) **Keep work area clean and well lit.**
Cluttered or dark areas invite accidents.
- b) **Do not operate power tools in explosive atmospheres, such as in the presence of flammable liquids, gases or dust.**
Power tools create sparks which may ignite the dust or fumes.

- c) **Keep children and bystanders away while operating a power tool.** *Distractions can cause you to lose control.*

2. Electrical safety

- a) **Power tool plugs must match the outlet. Never modify the plug in any way. Do not use any adapter plugs with earthed (grounded) power tools.** *Unmodified plugs and matching outlets will reduce risk of electric shock.*
- b) **Avoid body contact with earthed or grounded surfaces, such as pipes, radiators, ranges and refrigerators.** *There is an increased risk of electric shock if your body is earthed or grounded.*
- c) **Do not expose power tools to rain or wet conditions.** *Water entering a power tool will increase the risk of electric shock.*
- d) **Do not abuse the cord. Never use the cord for carrying, pulling or unplugging the power tool. Keep cord away from heat, oil, sharp edges or moving parts.** *Damaged or entangled cords increase the risk of electric shock.*
- e) **When operating a power tool outdoors, use an extension cord suitable for outdoor use.** *Use of a cord suitable for outdoor use reduces the risk of electric shock.*
- f) **If operating a power tool in a damp location is unavoidable, use a residual current device (RCD) protected supply.** *Use of an RCD reduces the risk of electric shock.*

3. Personal safety

- a) **Stay alert, watch what you are doing and use common sense when operating a power tool. Do not use a power tool while you are tired or under the influence of drugs, alcohol or medication.** *A moment of inattention while operating power tools may result in serious personal injury.*
- b) **Use personal protective equipment. Always wear eye protection.** *Protective*

equipment such as dust mask, non-skid safety shoes, hard hat, or hearing protection used for appropriate conditions will reduce personal injuries.

- c) **Prevent unintentional starting. Ensure the switch is in the off-position before connecting to power source and / or battery pack, picking up or carrying the tool.** Carrying power tools with your finger on the switch or energising power tools that have the switch on invites accidents.
- d) **Remove any adjusting key or wrench before turning the power tool on.** A wrench or a key left attached to a rotating part of the power tool may result in personal injury.
- e) **Do not overreach. Keep proper footing and balance at all times.** This enables better control of the power tool in unexpected situations.
- f) **Dress properly. Do not wear loose clothing or jewellery. Keep your hair, clothing and gloves away from moving parts.** Loose clothes, jewellery or long hair can be caught in moving parts.
- g) **If devices are provided for the connection of dust extraction and collection facilities, ensure these are connected and properly used.** Use of dust collection can reduce dust-related hazards.

4. Power tool use and care

- a) **Do not force the power tool. Use the correct power tool for your application.** The correct power tool will do the job better and safer at the rate for which it was designed.
- b) **Do not use the power tool if the switch does not turn it on and off.** Any power tool that cannot be controlled with the switch is dangerous and must be repaired.
- c) **Disconnect the plug from the power source and / or the battery pack from the power tool before making any adjustments, changing accessories, or storing power tools.** Such preventive safety measures reduce the risk of starting the power tool accidentally.

- d) **Store idle power tools out of the reach of children and do not allow persons unfamiliar with the power tool or these instructions to operate the power tool.**

Power tools are dangerous in the hands of untrained users.

- e) **Maintain power tools. Check for misalignment or binding of moving parts, breakage of parts and any other condition that may affect the power tool's operation. If damaged, have the power tool repaired before use.** Many accidents are caused by poorly maintained power tools.
- f) **Keep cutting tools sharp and clean.** Properly maintained cutting tools with sharp cutting edges are less likely to bind and are easier to control.
- g) **Use the power tool, accessories and tool bits etc. in accordance with these instructions, taking into account the working conditions and the work to be performed.** Use of the power tool for operations different from those intended could result in a hazardous situation.

5. Service

- a) **Have your power tool serviced by a qualified repair person using only identical replacement parts.** This will ensure that the safety of the power tool is maintained.

● Safety instructions for band files

- **Hold the device by the insulated handle surfaces as the sanding belt could strike the device's own mains lead.** Damaging a live wire could result in the metal parts of the device also becoming live and could lead to an electric shock.
- **DANGER OF FIRE FROM FLYING SPARKS!** Sanding metal creates flying sparks. For this reason, always make sure that nobody is placed in any danger and that there are no inflammable materials near the working area.

- When undertaking prolonged sanding of wood, and in particular when working on materials that give rise to dusts that are hazardous to health, the sander must be connected to a suitable external dust extraction device.
- Ensure that there is adequate ventilation when working on plastic, paint, varnish etc.
- The band file is designed for dry grinding wood, plastic, metal and filler, as well as painted surfaces. Only use the device for dry grinding.
- Do not sand materials containing asbestos. Asbestos is a known carcinogen.
- **⚠ WARNING!** Sanding e.g. lead paint, some types of wood and metal can release harmful / toxic dust. Touching or breathing in these dusts can present a danger to the user or persons nearby. Use suitable personal protective equipment such as dust mask, etc. to prevent this risk.

⚠ WARNING! POISONOUS DUSTS!

Sanding paints containing lead, some types of wood and metal for example may give rise to hazardous or poisonous dusts and represents a risk to the health of the person operating the device and to anyone near the work area. Wear safety glasses and a dust protection mask!

- Securely support the workpiece. Use clamps or a vice to grip the workpiece firmly. This is much safer than holding it with your hand.
- Never support yourself by placing your hands near or in front of the device or the workpiece surface. A slip can result in injury.
- If a dangerous situation arises, pull the mains plug immediately out of the mains socket.
- Always work with the mains lead leading away from the rear of the device.
- Avoid contact with the moving sanding belt.
- Do not work on moistened materials or damp surfaces.
- Always switch on the device before placing it against the workpiece. After sanding, lift the device from the workpiece before switching it off.
- When working always hold the device securely with both hands. Always keep proper footing and balance.
- Switch the device off and allow it to come to a complete standstill before you put it down.

- When taking a break from your work, before carrying out any tasks on the device itself (e.g. changing the sanding belt) and when you are not using the device, always pull the mains plug out of the mains socket.

● Start-up

Note: the small grinding frame **12** is designed for fine jobs, cutting and carving (see Fig. E).

The large grinding frame **8** is suitable for general applications, slotting and making joints (see Fig. F). The angled grinding frame **13** is suitable for grooving and sanding the middle of the work piece and confined areas. Also use it to smooth bent areas (see Fig. G).

● Installing the grinding frame

- Attach the desired grinding frame **8**, **12**, **13**.
- Insert the spring **14** into the mounting hole.
- Tighten the adjusting screw **7** on the device until the grinding frame **8**, **12**, **13** is in line with the tool (see Fig. A).

● Changing the grinding frame

⚠ WARNING! RISK OF INJURY! Always unplug from the mains before working on the band file.

- Unscrew the adjusting screw **7** from the device. Be sure not to lose the spring **14**.
- Remove the grinding frame **8**.
- Remove the spring **14**.
- Insert the spring **14** into the mounting hole.
- Attach the desired grinding frame **12**, **13**.
- Tighten the adjusting screw **7** on the device until the grinding frame **12**, **13** is in line with the tool (see Fig. A).

● Clamping / changing the abrasive belt

⚠ WARNING! RISK OF INJURY! Always unplug from the mains before working on the band file.

- Loosen the clamping device for the abrasive belt by moving the clamping lever **9** forward (see Fig. B). The abrasive belt **11** can be removed.
- Slide the new abrasive belt **11** through the slot in the housing of the tool. Important: The direction of the arrow on the inside of the abrasive belt **11** and the housing of the tool must match.
- Slip the abrasive belt **11** over the rear and front roller **15**.
- Push the clamping lever **9** back into the starting position.

Manually adjusting the abrasive belt:

If the path of the belt does not straighten after switching on, it may need to be adjusted manually.

- To do so, turn the adjusting screw **7** until the abrasive belt **11** is centred.

IMPORTANT: Be sure the abrasive belt **11** does not grind into the housing. Regularly check the path of the belt and adjust with the adjusting screw **7** if necessary (see Fig. C).

● Dust extraction

⚠ WARNING! EXPLOSION HAZARD!

A special dust extractor must be used for explosive dust / air mixtures.

FIRE HAZARD DUE TO SPARKING! Do not use dust extraction (dust bag **5** or vacuum) when grinding metal.

⚠ WARNING! FIRE HAZARD! Fire hazard when using electric devices with dust bag or connected to a vacuum via dust extraction! Unfavourable conditions, e.g. sparking - when grinding metal or metal pieces in wood - wood dust inside the dust bag (or inside the dust bag of the vacuum) can spontaneously ignite. This can particularly occur if the wood dust comes is mixed with paint particles or other chemicals and the ground product is hot

after long work periods. Therefore be sure to avoid the ground materials and the device from overheating and always empty the dust bag resp. the dust bag of the vacuum before taking breaks.



Wear a dust mask!

Dust extraction by dust bag (see Fig. D):

- Compress the handles of the wire ring on the dust bag **5** to make it larger.
- Slip the dust bag **5** onto the adapter connection **16**.

Uninstalling / removing the dust bag:

- Compress the handles of the wire ring on the dust bag **5** to make it larger. Remove the dust bag **5** from the device.

Adapter for external extraction

Connecting:

- Place the extraction adapter **10** onto the file so the teeth fit into the designated notches. Now turn the extraction adapter **10** clockwise to tighten.
- Slide the hose of a reliable dust extractor (e.g. workshop vacuum) onto the extraction adapter **10**.

Removal:

- Pull the hose out of the dust extraction unit.
- Turn the extraction adapter **10** counter-clockwise and remove from the file.

● Operation

● Switching on and off

When operating the device you can select between intermittent or continuous operation:

Switching on temporary operation:

- Push the ON / OFF switch **4**.

Switching off temporary operation:

- Release the ON/OFF switch **[4]**.

Engaging continuous operation:

- Press and hold the ON/OFF switch **[4]** and press the locking button **[2]**.

Disabling continuous operation:

- Press the ON/OFF switch **[4]** and release.

● Selecting the speed and abrasive belt

You can select the speed using the speed control **[1]**. The optimal belt speed depends on the material you will be working on. Always determine the respective best speed yourself on a test piece.

● Tips and tricks

- Never use the same abrasive belt for wood and metal.
- Worn or torn abrasive belts can damage the work piece. Therefore, regularly replace the abrasive belts.
- Only hang the abrasive belts to store, as folds etc. render them useless.

● Maintenance and Cleaning

⚠ WARNING! RISK OF INJURY! Always unplug from the mains before working on the band file.

The band file is maintenance-free.

- Clean the device immediately after finishing your work.
- Use a dry cloth to clean the device. Never use petrol, solvent or cleaners which attack plastic.

Emptying / cleaning the dust bag:

- Compress the handles of the wire ring on the dust bag **[5]** to make it larger. Remove the dust bag **[5]** from the device.
- Tap the dust bag **[5]** to completely empty it, then reattach it to the adapter connection **[16]**.

- Always keep the vents clear.
- Remove dust clinging to the device with a brush.

● Service centre

- **⚠ WARNING!** Have your device repaired only by qualified specialist personnel using original manufacturer parts only. This will ensure that your device remains safe to use.
- **⚠ WARNING!** If the power cable of this tool is damaged, it must be replaced by the manufacturer or its customer service, or a similarly qualified person, to prevent hazards.

Note: Spare parts not listed (e.g. carbon brushes, switches) can be ordered through our call centre.

● Warranty

The warranty for this appliance is for 3 years from the date of purchase. The appliance has been manufactured with care and meticulously examined before delivery. Please retain your receipt as proof of purchase. In the event of a warranty claim, please make contact by telephone with our Service Department. Only in this way can a post-free despatch for your goods be assured.

The warranty covers only claims for material and manufacturing defects, but not for transport damage, for wearing parts or for damage to fragile components, e.g. buttons or batteries. This product is for private use only and is not intended for commercial use.

The warranty is void in the case of abusive and improper handling, use of force and internal tampering not carried out by our authorized service branch. Your statutory rights are not restricted in any way by this warranty.

The warranty period will not be extended by repairs made under warranty. This applies also to replaced and repaired parts. Any damage and defects extant

on purchase must be reported immediately after unpacking the appliance, at the latest, two days after the purchase date. Repairs made after the expiration of the warranty period are subject to payment.

GB

Service Great Britain

Tel.: 0871 5000 720
(0.10 GBP / Min.)

e-mail: kompernass@lidl.co.uk

IAN 115720

IE

Service Ireland

Tel: 1890 930 034
(0.08 EUR / Min. (peak))
0.06 EUR / Min. (off peak))

e-mail: kompernass@lidl.ie

IAN 115720

● Disposal



The packaging is wholly composed of environmentally-friendly materials that can be disposed of at a local recycling centre.



Do not dispose of electrical power tools with the household rubbish!

In accordance with European Directive 2012/19/EU (covering waste electrical and electronic equipment) and its transposition into national legislation, worn out electrical power tools must be collected separately and taken for environmentally compatible recycling.

Contact your local refuse disposal authority for more details of how to dispose of your worn out electrical devices.

● Translation of the original declaration of conformity / Manufacturer C€

We, KOMPERNASS HANDELS GMBH, the person responsible for documents: Mr Semi Uguzlu, BURGSTRASSE 21, 44867 BOCHUM, GERMANY, hereby declare that this product complies with the following standards, normative documents and EU directives:

Machinery Directive
(2006 / 42 / EC)

EU Low Voltage Directive
(2006 / 95 / EC)

Electromagnetic Compatibility
(2004 / 108 / EC)

RoHS Directive (2011 / 65 / EU)

Applicable harmonized standards

EN 60745-1:2009/A11:2010
EN 60745-2-4:2009/A11:2011
EN 62233:2008
EN 55014-1:2006/A2:2011
EN 55014-2:1997/A2:2008
EN 61000-3-2:2014
EN 61000-3-3:2013

Type / Description of product:

File belt sander PBF 400 A1

Date of manufacture (DOM): 07-2015

Serial number: IAN 115720

Bochum, 31.07.2015

A handwritten signature in black ink, appearing to read 'Semi Uguzlu'.

Semi Uguzlu
- Quality Manager -

We reserve the right to make technical modifications in the course of further development.

Einleitung

Bestimmungsgemäßer Gebrauch.....	Seite 14
Ausstattung.....	Seite 14
Lieferumfang.....	Seite 14
Technische Daten.....	Seite 14

Allgemeine Sicherheitshinweise für Elektrowerkzeuge

1. Arbeitsplatz-Sicherheit.....	Seite 15
2. Elektrische Sicherheit.....	Seite 15
3. Sicherheit von Personen.....	Seite 16
4. Verwendung und Behandlung des Elektrowerkzeugs.....	Seite 16
5. Service.....	Seite 17
Sicherheitshinweise für Bandfeilen.....	Seite 17

Inbetriebnahme

Schleifrahmen montieren.....	Seite 18
Schleifrahmen wechseln.....	Seite 18
Schleifband einspannen / wechseln.....	Seite 18
Staubabsaugung.....	Seite 19

Bedienung

Ein- und ausschalten.....	Seite 19
Drehzahl und Schleifband wählen.....	Seite 20
Tipps und Tricks.....	Seite 20

Wartung und Reinigung..... Seite 20

Service..... Seite 20

Garantie..... Seite 20

Entsorgung..... Seite 21

Original-EG-Konformitätserklärung / Hersteller..... Seite 21

Bandfeile PBF 400 A1

● **Einleitung**

Wir beglückwünschen Sie zum Kauf Ihres neuen Gerätes. Sie haben sich damit für ein hochwertiges Produkt entschieden. Die Bedienungsanleitung ist Teil dieses Produkts. Sie enthält wichtige Hinweise für Sicherheit, Gebrauch und Entsorgung. Machen Sie sich vor der Benutzung des Produkts mit allen Bedien- und Sicherheitshinweisen vertraut. Benutzen Sie das Produkt nur wie beschrieben und für die angegebenen Einsatzbereiche. Händigen Sie alle Unterlagen bei Weitergabe des Produkts an Dritte mit aus.

● **Bestimmungsgemäßer Gebrauch**

Die Bandfeile ist für Feilarbeiten, besonders an schwer zugänglichen Stellen, an Holz, Kunststoff, Metall und Spachtelmasse sowie lackierten Oberflächen ausgelegt. Beachten Sie bitte, dass Sie zur Bearbeitung der verschiedenen Materialien entsprechende Schleifbänder mit unterschiedlicher Körnung einsetzen und die Drehzahl ebenfalls dem Material anpassen. Das Gerät ist nicht für den gewerblichen Einsatz bestimmt. Jede andere Verwendung oder Veränderung der Maschine gilt als nicht bestimmungsgemäß und birgt erhebliche Unfallgefahren. Für aus bestimmungswidriger Verwendung entstandene Schäden übernimmt der Hersteller keine Haftung.

● **Ausstattung**

- 1 Drehzahlregler
- 2 Feststelltaste
- 3 Handgriff
- 4 EIN-/ AUS-Schalter
- 5 Staubbeutel
- 6 seitlicher Handgriff
- 7 Montage- und Justierschraube
- 8 Schleifrahmen, groß
- 9 Spannhebel

- 10 Absaugadapter
- 11 Schleifband
- 12 Schleifrahmen, klein
- 13 Schleifrahmen, gewinkelt
- 14 Feder
- 15 vordere Rolle
- 16 Adapteranschluss

● **Lieferumfang**

- 1 Bandfeile PBF 400 A1
- 5 Schleifbänder für Metall, Holz, 8 x 455 mm
(2 x 60er Körnung, 2 x 80er Körnung,
1 x 120er Körnung)
- 5 Schleifbänder für Metall, Holz 13 x 455 mm
(2 x 60er Körnung, 2 x 80er Körnung,
1 x 120er Körnung)
- 1 Staubbeutel
- 1 Absaugadapter (zur externen Staubabsaugung)
- 1 gerader Rahmen, 8 mm
- 1 gerader Rahmen, 13 mm
- 1 angewinkelter Rahmen, 13 mm
- 1 Tragekoffer
- 1 Bedienungsanleitung

● **Technische Daten**

Bandfeile PBF 400 A1

- Nennspannung: 230 V~ 50 Hz
- Nennaufnahme: 400 W
- Leerlaufdrehzahl: n_0 2350–3600 min⁻¹
- Leerlauf-Bandgeschwindigkeit: 1070–1650 m/min
- Schleifband: 8 x 455 mm und 13 x 455 mm
- Schutzklasse: II/□

Geräusch- und Vibrationsinformationen:

- Messwert für Geräusch ermittelt entsprechend EN ISO 4871. Der A-bewertete Geräuschpegel des Elektrowerkzeugs beträgt typischerweise:
- Schalldruckpegel L_{pA} : 82 dB(A)
 - Schallleistungspegel L_{WA} : 93 dB(A)
 - Unsicherheit K: 3 dB

Gehörschutz tragen!

Schwingungsgesamtwerte (Vektorsumme dreier Richtungen) ermittelt entsprechend EN 60745:
Schwingungsemissionswert: a_h 4,0 m/s²
Unsicherheit K = 1,5 m/s²

Hinweis: Der in diesen Anweisungen angegebene Schwingungsemissionswert ist entsprechend einem in EN 60745 genormten Messverfahren gemessen worden und kann für den Gerätevergleich verwendet werden. Der angegebene Schwingungsemissionswert kann auch zu einer einleitenden Einschätzung der Aussetzung verwendet werden.

⚠️ WARNUNG! Der Schwingungsemissionswert wird sich entsprechend dem Einsatz des Elektrowerkzeugs verändern und kann in manchen Fällen über dem in diesen Anweisungen angegebenen Wert liegen. Die Schwingungsbelastung könnte unterschätzt werden, wenn das Elektrowerkzeug regelmäßig in solcher Weise verwendet wird.

Versuchen Sie, die Belastung durch Vibrationen so gering wie möglich zu halten. Beispielhafte Maßnahmen zur Verringerung der Vibrationsbelastung sind das Tragen von Handschuhen beim Gebrauch des Werkzeuges und die Begrenzung der Arbeitszeit. Dabei sind alle Anteile des Betriebszyklus zu berücksichtigen (beispielsweise Zeiten, in denen das Elektrowerkzeug abgeschaltet ist, und solche, in denen es zwar eingeschaltet ist, aber ohne Belastung läuft).

● Allgemeine Sicherheitshinweise für Elektrowerkzeuge



⚠️ WARNUNG! Lesen Sie alle Sicherheitshinweise und Anweisungen.

Versäumnisse bei der Einhaltung der Sicherheitshinweise und Anweisungen können elektrischen Schlag, Brand und / oder schwere Verletzungen verursachen.

Bewahren Sie alle Sicherheitshinweise und Anweisungen für die Zukunft auf!

Der in den Sicherheitshinweisen verwendete Begriff „Elektrowerkzeug“ bezieht sich auf netzbetriebene

Elektrowerkzeuge (mit Netzkabel) und auf akkubetriebene Elektrowerkzeuge (ohne Netzkabel).

1. Arbeitsplatz-Sicherheit

- Halten Sie Ihren Arbeitsbereich sauber und gut beleuchtet.** Unordnung und unbeleuchtete Arbeitsbereiche können zu Unfällen führen.
- Arbeiten Sie mit dem Elektrowerkzeug nicht in explosionsgefährdeter Umgebung, in der sich brennbare Flüssigkeiten, Gase oder Stäube befinden.** Elektrowerkzeuge erzeugen Funken, die den Staub oder die Dämpfe entzünden können.
- Halten Sie Kinder und andere Personen während der Benutzung des Elektrowerkzeugs fern.** Bei Ablenkung können Sie die Kontrolle über das Gerät verlieren.

2. Elektrische Sicherheit

- Der Anschlussstecker des Elektrowerkzeuges muss in die Steckdose passen. Der Stecker darf in keiner Weise verändert werden. Verwenden Sie keine Adapterstecker gemeinsam mit schutzgeerdeten Elektrowerkzeugen.** Unveränderte Stecker und passende Steckdosen verringern das Risiko eines elektrischen Schlages.
- Vermeiden Sie Körperkontakt mit geerdeten Oberflächen, wie von Rohren, Heizungen, Herden und Kühlschränken.** Es besteht ein erhöhtes Risiko durch elektrischen Schlag, wenn Ihr Körper geerdet ist.
- Halten Sie Elektrowerkzeuge von Regen oder Nässe fern.** Das Eindringen von Wasser in ein Elektrogerät erhöht das Risiko eines elektrischen Schlages.
- Zweckentfremden Sie das Kabel nicht, um das Elektrowerkzeug zu tragen, aufzuhängen oder um den Stecker aus der Steckdose zu ziehen. Halten Sie das Kabel fern von Hitze, Öl, scharfen Kanten oder sich bewegenden Geräteteilen.** Beschädigte oder verwickelte Kabel erhöhen das Risiko eines elektrischen Schlages.

- e) **Wenn Sie mit einem Elektrowerkzeug im Freien arbeiten, verwenden Sie nur Verlängerungskabel, die auch für den Außenbereich zugelassen sind.** Die Anwendung eines für den Außenbereich geeigneten Verlängerungskabels verringert das Risiko eines elektrischen Schlages.
- f) **Wenn der Betrieb des Elektrowerkzeuges in feuchter Umgebung nicht vermeidbar ist, verwenden Sie einen Fehlerstromschutzschalter.** Der Einsatz eines Fehlerstromschutzschalters vermindert das Risiko eines elektrischen Schlages.

3. Sicherheit von Personen

- a) **Seien Sie stets aufmerksam, achten Sie darauf, was Sie tun und gehen Sie mit Vernunft an die Arbeit mit einem Elektrowerkzeug. Benutzen Sie kein Elektrowerkzeug, wenn Sie müde sind oder unter dem Einfluss von Drogen, Alkohol oder Medikamenten stehen.** Ein Moment der Unachtsamkeit beim Gebrauch des Elektrowerkzeuges kann zu ernsthaften Verletzungen führen.
- b) **Tragen Sie persönliche Schutzausrüstung und immer eine Schutzbrille.** Das Tragen persönlicher Schutzausrüstung wie Staubmaske, rutschfeste Sicherheitsschuhe, Schutzhelm oder Gehörschutz, je nach Art und Einsatz des Elektrowerkzeuges, verringert das Risiko von Verletzungen.
- c) **Vermeiden Sie eine unbeabsichtigte Inbetriebnahme. Vergewissern Sie sich, dass das Elektrowerkzeug ausgeschaltet ist, bevor Sie es an die Stromversorgung und/ oder den Akku anschließen, es aufnehmen oder tragen.** Wenn Sie beim Tragen des Elektrowerkzeuges den Finger am Schalter haben oder das Gerät bereits eingeschaltet an die Stromversorgung anschließen, kann dies zu Unfällen führen.
- d) **Entfernen Sie Einstellwerkzeuge oder Schraubenschlüssel, bevor Sie das Elektrowerkzeug einschalten.** Ein Werkzeug oder Schlüssel, der sich in einem drehenden Geräteteil befindet, kann zu Verletzungen führen.
- e) **Vermeiden Sie eine abnormale Körperhaltung. Sorgen Sie für einen sicheren Stand und halten Sie jederzeit das Gleichgewicht.** Dadurch können Sie das Elektrowerkzeug in unerwarteten Situationen besser kontrollieren.
- f) **Tragen Sie geeignete Kleidung. Tragen Sie keine weite Kleidung oder Schmuck. Halten Sie Haare, Kleidung und Handschuhe fern von sich bewegenden Teilen.** Lockere Kleidung, Schmuck oder lange Haare können von sich bewegenden Teilen erfasst werden.
- g) **Wenn Staubabsaug- und -auffangeinrichtungen montiert werden können, vergewissern Sie sich, dass diese angeschlossen sind und richtig verwendet werden.** Die Verwendung einer Staubabsaugung kann Gefährdungen durch Staub verringern.

4. Verwendung und Behandlung des Elektrowerkzeugs

- a) **Überlasten Sie das Gerät nicht. Verwenden Sie für Ihre Arbeit das dafür bestimmte Elektrowerkzeug.** Mit dem passenden Elektrowerkzeug arbeiten Sie besser und sicherer im angegebenen Leistungsbereich.
- b) **Benutzen Sie kein Elektrowerkzeug, dessen Schalter defekt ist.** Ein Elektrowerkzeug, das sich nicht mehr ein- oder ausschalten lässt, ist gefährlich und muss repariert werden.
- c) **Ziehen Sie den Stecker aus der Steckdose und/ oder entfernen Sie den Akku, bevor Sie Geräteeinstellungen vornehmen, Zubehörteile wechseln oder das Gerät weglegen.** Diese Vorsichtsmaßnahme verhindert den unbeabsichtigten Start des Elektrowerkzeuges.
- d) **Bewahren Sie unbenutzte Elektrowerkzeuge außerhalb der Reichweite von Kindern auf. Lassen Sie Personen das Gerät nicht benutzen, die mit diesem**

nicht vertraut sind oder diese Anweisungen nicht gelesen haben. *Elektrowerkzeuge sind gefährlich, wenn sie von unerfahrenen Personen benutzt werden.*

- e) **Pflegen Sie Elektrowerkzeuge mit Sorgfalt. Kontrollieren Sie, ob bewegliche Teile einwandfrei funktionieren und nicht klemmen, ob Teile gebrochen oder so beschädigt sind, dass die Funktion des Elektrowerkzeuges beeinträchtigt ist. Lassen Sie beschädigte Teile vor dem Einsatz des Gerätes reparieren.** *Viele Unfälle haben ihre Ursache in schlecht gewarteten Elektrowerkzeugen.*
- f) **Halten Sie Schneidwerkzeuge scharf und sauber.** *Sorgfältig gepflegte Schneidwerkzeuge mit scharfen Schneidkanten verklemmen sich weniger und sind leichter zu führen.*
- g) **Verwenden Sie Elektrowerkzeug, Zubehör, Einsatzwerkzeuge usw. entsprechend diesen Anweisungen. Berücksichtigen Sie dabei die Arbeitsbedingungen und die auszuführende Tätigkeit.** *Der Gebrauch von Elektrowerkzeugen für andere als die vorgesehenen Anwendungen kann zu gefährlichen Situationen führen.*

5. Service

- a) **Lassen Sie Ihr Elektrowerkzeug nur von qualifiziertem Fachpersonal und nur mit Original-Ersatzteilen reparieren.** *Damit wird sichergestellt, dass die Sicherheit des Elektrowerkzeugs erhalten bleibt.*

● Sicherheitshinweise für Bandfeilen

- **Halten Sie das Gerät an den isolierten Griffflächen, da das Schleifband das eigene Netzkabel treffen kann.** Das Beschädigen einer spannungsführenden Leitung kann metallene Geräteteile unter Spannung setzen und zu einem elektrischen Schlag führen.
- **BRANDGEFAHR DURCH FUNKENFLUG!** Wenn Sie Metalle schleifen entsteht Funkenflug.

Achten Sie deshalb unbedingt darauf, dass keine Personen gefährdet werden und sich keine brennbaren Materialien in der Nähe des Arbeitsbereiches befinden.

- Schließen Sie beim Bearbeiten von Holz und insbesondere wenn Materialien bearbeitet werden, bei denen gesundheitsgefährdende Stäube entstehen, das Gerät an eine geeignete externe Absaugvorrichtung an.
- Sorgen Sie bei der Bearbeitung von Kunststoffen, Farben, Lacken etc. für ausreichende Belüftung.
- Die Bandfeile ist für trockenes Schleifen von Holz, Kunststoff, Metall und Spachtelmasse sowie lackierten Oberflächen ausgelegt. Das Gerät darf nur für Trockenschliff verwendet werden.
- Asbesthaltiges Material darf nicht bearbeitet werden. Asbest gilt als krebserregend.
- **⚠️ WARNUNG!** Beim Schleifen von z. B. bleihaltigen Anstrichen, einigen Holzarten und Metall können schädliche / giftige Stäube entstehen. Die Berührung oder das Einatmen dieser Stäube kann eine Gefährdung für die Bedienperson oder in der Nähe befindliche Personen darstellen. Verwenden Sie geeignete persönliche Schutzausrüstungen, wie Staubschutzmaske, usw., um die Gefährdung zu vermeiden.
- **⚠️ WARNUNG! GIFTIGE STÄUBE!** Die beim Schleifen von z. B. bleihaltigen Anstrichen, einigen Holzarten und Metallen entstehenden schädlichen / giftigen Stäube stellen eine Gesundheitsgefährdung für die Bedienperson oder in der Nähe befindliche Personen dar. Tragen Sie Schutzbrille und Staubschutzmaske!
- Sichern Sie das Werkstück. Benutzen Sie Spannvorrichtungen / Schraubstock, um das Werkstück festzuhalten. Es ist damit sicherer gehalten, als mit Ihrer Hand.
- Stützen Sie auf keinen Fall die Hände neben oder vor dem Gerät und der zu bearbeitenden Fläche ab, da bei einem Abrutschen Verletzungsgefahr besteht.
- Ziehen Sie bei Gefahr sofort den Netzstecker aus der Steckdose.
- Führen Sie das Netzkabel immer nach hinten vom Gerät weg.
- Vermeiden Sie den Kontakt mit dem laufenden Schleifband.

- Bearbeiten Sie keine angefeuchteten Materialien oder feuchte Flächen.
- Führen Sie das Gerät immer eingeschaltet gegen das Werkstück. Heben Sie das Gerät nach der Bearbeitung vom Werkstück ab und schalten Sie es erst dann aus.
- Halten Sie das Gerät während der Arbeit immer fest mit beiden Händen. Sorgen Sie für einen sicheren Stand.
- Lassen Sie das Gerät vollständig zum Stillstand kommen und schalten Sie es aus, bevor Sie es ablegen.
- Ziehen Sie bei Arbeitspausen, vor allen Arbeiten am Gerät (z. B. Wechsel des Schleifpapiers) und bei Nichtgebrauch immer den Netzstecker aus der Steckdose.

● Inbetriebnahme

Hinweis: Der kleine Schleifrahmen [12] ist für feinere Arbeiten, zum Schneiden und zum Schnitzen konzipiert (s. Abb. E).

Der große Schleifrahmen [8] ist für allgemeine Anwendungen geeignet, zum Auskerben und zur Herstellung von Verbindungen (s. Abb. F).

Der gewinkelte Schleifrahmen [13] ist zum Furchen und Schleifen in der Mitte der Werkstücke und in begrenzten Bereichen geeignet. Benutzen Sie ihn auch, um gekrümmte Flächen zu glätten (s. Abb. G).

● Schleifrahmen montieren

- Setzen Sie den gewünschten Schleifrahmen [8], [12], [13] ein.
- Setzen Sie die Feder [14] in das Montageloch ein.
- Schrauben Sie die Justierschraube [7] am Gerät fest, bis sich der Schleifrahmen [8], [12], [13] in einer Linie mit dem Werkzeug befindet (siehe Abb. A).

● Schleifrahmen wechseln

▲ **WARNUNG! VERLETZUNGSGEFAHR!**

Ziehen Sie den Netzstecker immer aus der Steckdose, bevor Sie Arbeiten an der Bandfeile durchführen.

- Schrauben Sie die Justierschraube [7] vom Gerät ab. Achten Sie dabei darauf, dass Sie nicht die Feder [14] verlieren.
- Entfernen Sie den Schleifrahmen [8].
- Entfernen Sie die Feder [14].
- Setzen Sie die Feder [14] wieder in das Montageloch ein.
- Setzen Sie den gewünschten Schleifrahmen [12], [13] ein.
- Schrauben Sie die Justierschraube [7] wieder am Gerät fest, bis sich der Schleifrahmen [12], [13] in einer Linie mit dem Werkzeug befindet (s. Abb. A).

● Schleifband einspannen / wechseln

▲ **WARNUNG! VERLETZUNGSGEFAHR!**

Ziehen Sie den Netzstecker immer aus der Steckdose, bevor Sie Arbeiten an der Bandfeile durchführen.

- Lösen Sie die Spannvorrichtung für das Schleifband, indem Sie den Spannhebel [9] nach vorne schieben (siehe Abb. B). Das Schleifband [11] lässt sich entnehmen.
- Schieben Sie das neue Schleifband [11] durch den Schlitz im Gerätegehäuse. Wichtig: Die Pfeilrichtungen auf der Innenseite des Schleifbandes [11] und am Gerätegehäuse müssen übereinstimmen.
- Führen Sie das Schleifband [11] über die hintere und vordere Rolle [15].
- Drücken Sie den Spannhebel [9] wieder in die Ausgangsposition.

Schleifband manuell justieren:

Wird der Bandlauf nach dem Einschalten nicht zentriert, müssen Sie den Bandlauf ggf. manuell nachstellen.

- Drehen Sie dazu die Justierschraube [7], bis das Schleifband [11] zentriert läuft.

WICHTIG: Achten Sie unbedingt darauf, dass sich das Schleifband [11] nicht am Gehäuse einschleift. Prüfen Sie regelmäßig den Bandlauf und regeln Sie ihn, wenn nötig, mit der Justierschraube [7] nach (siehe Abb. C).

● Staubabsaugung

⚠️ WARNUNG! EXPLOSIONSGEFAHR! Bei explosivem Staub / Luftgemisch müssen Sie einen dazu speziell geeigneten Absauger verwenden.

BRANDGEFAHR DURCH FUNKENFLUG!

Verwenden Sie beim Schleifen von Metallen keine Staubabsaugung (Staubbeutel [5] oder Staubsauger).

⚠️ WARNUNG! BRANDGEFAHR! Beim Arbeiten mit Elektrogeräten, die über einen Staubbeutel verfügen oder durch eine Staubabsaugvorrichtung mit dem Staubsauger verbunden werden können, besteht Brandgefahr! Unter ungünstigen Bedingungen, wie z. B. bei Funkenflug - beim Schleifen von Metall oder Metallresten in Holz - kann sich Holzstaub im Staubbeutel (oder im Staubbeutel des Staubsaugers) selbst entzünden. Dies kann insbesondere dann geschehen, wenn der Holzstaub mit Lackresten oder anderen chemischen Stoffen vermischt ist und das Schleifgut nach langem Arbeiten heiß ist. Vermeiden Sie deshalb unbedingt eine Überhitzung des Schleifguts und des Gerätes und entleeren Sie vor Arbeitspausen stets den Staubbeutel bzw. den Staubbeutel des Staubsaugers.



**Tragen Sie eine
Staubschutzmaske!**

Staubabsaugung mit Staubbeutel (siehe Abb. D):

- Drücken Sie die Griffe des Drahrings am Staubbeutel [5] zusammen, sodass sich sein Umfang vergrößert.
- Stecken Sie den Staubbeutel [5] nun auf den Adapteranschluss [16].

Staubbeutel demontieren / abnehmen:

- Drücken Sie die Griffe des Drahrings am Staubbeutel [5] zusammen, sodass sich sein Umfang vergrößert. Ziehen Sie den Staubbeutel [5] vom Gerät ab.

Adapter zur Fremdsaugung

Anschließen:

- Stecken Sie den Absaugadapter [10] auf die Feile, sodass seine Zähne in die vorgesehenen Kerben passen. Drehen Sie nun den Absaugadapter [10] im Uhrzeigersinn fest.
- Schieben Sie den Schlauch einer zulässigen Staubsaugvorrichtung (z. B. eines Werkstattstaubsaugers) auf den Absaugadapter [10].

Entnehmen:

- Ziehen Sie den Schlauch der Staubsaugvorrichtung ab.
- Drehen Sie den Absaugadapter [10] gegen den Uhrzeigersinn und ziehen Sie ihn von der Feile ab.

● Bedienung

● Ein- und ausschalten

Sie können beim Betrieb der Bandfeile zwischen Moment- und Dauerbetrieb auswählen.

Momentbetrieb einschalten:

- Drücken Sie den EIN-/ AUS-Schalter [4].

Momentbetrieb ausschalten:

- Lassen Sie den EIN-/ AUS-Schalter [4] los.

Dauerbetrieb einschalten:

- Drücken Sie den EIN-/ AUS-Schalter [4], halten Sie ihn gedrückt und drücken Sie die Feststelltaste [2].

Dauerbetrieb ausschalten:

- Drücken Sie den EIN-/ AUS-Schalter [4] und lassen Sie ihn los.

● Drehzahl und Schleifband wählen

Mit dem Drehzahlregler **1** können Sie die Drehzahl wählen. Die optimale Bandgeschwindigkeit ist abhängig von dem zu bearbeitenden Material. Ermitteln Sie die jeweils beste Drehzahl immer selbst in einem praktischen Versuch.

● Tipps und Tricks

- Niemals mit demselben Schleifband Holz und Metall bearbeiten.
- Verschlossene oder eingerissene Schleifbänder können das Werkstück beschädigen. Wechseln Sie die Schleifbänder deshalb rechtzeitig aus.
- Bewahren Sie Schleifbänder nur hängend auf, da sie durch Knicke etc. unbrauchbar werden.

● Wartung und Reinigung

⚠️ WARNUNG! VERLETZUNGSGEFAHR!

Ziehen Sie den Netzstecker immer aus der Steckdose, bevor Sie Arbeiten an der Bandfeile durchführen.

Die Bandfeile ist wartungsfrei.

- Reinigen Sie das Gerät direkt nach Abschluss der Arbeit.
- Verwenden Sie zur Reinigung des Gerätes ein trockenes Tuch und keinesfalls Benzin, Lösungsmittel oder Reiniger, die Kunststoff angreifen.

Staubbeutel entleeren / reinigen:

- Drücken Sie die Griffe des Drahrings am Staubbeutel **5** zusammen, sodass sich sein Umfang vergrößert. Ziehen Sie den Staubbeutel **5** vom Gerät ab.
- Leeren Sie den Staubbeutel **5** vollständig durch Ausklopfen und stecken Sie ihn anschließend wieder auf den Adapteranschluss **16**.
- Halten Sie Lüftungsöffnungen immer frei.
- Entfernen Sie anhaftenden Schleifstaub mit einem Pinsel.

● Service

- **⚠️ WARNUNG!** Lassen Sie Ihre Geräte von der Servicestelle oder einer Elektrofachkraft und nur mit Original-Ersatzteilen reparieren. Damit wird sichergestellt, dass die Sicherheit des Gerätes erhalten bleibt.
- **⚠️ WARNUNG!** Wenn die Netzanschlussleitung dieses Gerätes beschädigt wird, muss sie durch den Hersteller oder seinen Kundendienst oder eine ähnlich qualifizierte Person ersetzt werden, um Gefährdungen zu vermeiden.

Hinweis: Nicht aufgeführte Ersatzteile (wie z.B. Kohlebürsten, Schalter) können Sie über unsere Callcenter bestellen.

● Garantie

Sie erhalten auf dieses Gerät 3 Jahre Garantie ab Kaufdatum. Das Gerät wurde sorgfältig produziert und vor Anlieferung gewissenhaft geprüft. Bitte bewahren Sie den Kassenbon als Nachweis für den Kauf auf. Bitte setzen Sie sich im Garantiefall mit Ihrer Servicestelle telefonisch in Verbindung. Nur so kann eine kostenlose Einsendung Ihrer Ware gewährleistet werden.

Die Garantieleistung gilt nur für Material- oder Fabrikationsfehler, nicht aber für Transportschäden, Verschleißteile oder für Beschädigungen an zerbrechlichen Teilen, z. B. Schalter oder Akkus. Das Produkt ist lediglich für den privaten und nicht für den gewerblichen Gebrauch bestimmt.

Bei missbräuchlicher und unsachgemäßer Behandlung, Gewaltanwendung und bei Eingriffen, die nicht von unserer autorisierten Service-Niederlassung vorgenommen wurden, erlischt die Garantie. Ihre gesetzlichen Rechte werden durch diese Garantie nicht eingeschränkt.

Die Garantiezeit wird durch die Gewährleistung nicht verlängert. Dies gilt auch für ersetzte und reparierte Teile. Eventuell schon beim Kauf vorhandene Schäden

und Mängel müssen sofort nach dem Auspacken gemeldet werden, spätestens aber zwei Tage nach Kaufdatum. Nach Ablauf der Garantiezeit anfallende Reparaturen sind kostenpflichtig.

DE

Service Deutschland

Tel.: 0800 5435 111

E-Mail: kompernass@lidl.de

IAN 115720

AT

Service Österreich

Tel.: 0820 201 222

(0,15 EUR/Min.)

E-Mail: kompernass@lidl.at

IAN 115720

CH

Service Schweiz

Tel.: 0842 665566

(0,08 CHF/Min., Mobilfunk
max. 0,40 CHF/Min.)

E-Mail: kompernass@lidl.ch

IAN 115720

● Entsorgung



Die Verpackung besteht aus umweltfreundlichen Materialien, die Sie über die örtlichen Recyclingstellen entsorgen können.



Werfen Sie Elektrowerkzeuge nicht in den Hausmüll!

Gemäß Europäischer Richtlinie 2012/19/EU über Elektro- und Elektronik-Altgeräte und Umsetzung in nationales Recht müssen verbrauchte Elektrowerkzeuge getrennt gesammelt und einer umweltgerechten Wiederverwertung zugeführt werden.

Möglichkeiten zur Entsorgung des ausgedienten Gerätes erfahren Sie bei Ihrer Gemeinde- oder Stadtverwaltung.

● Original-EG-Konformitätserklärung / Hersteller CE

Wir, KOMPERNASS HANDELS GMBH, Dokumentenverantwortlicher: Herr Semi Uguzlu, BURGSTRASSE 21, 44867 BOCHUM, DEUTSCHLAND, erklären hiermit, dass dieses Produkt mit den folgenden Normen, normativen Dokumenten und EG-Richtlinien übereinstimmt:

**Maschinenrichtlinie
(2006 / 42 / EC)**

**EG-Niederspannungsrichtlinie
(2006 / 95 / EC)**

**Elektromagnetische Verträglichkeit
(2004 / 108 / EC)**

RoHS Richtlinie (2011 / 65 / EU)

angewandte harmonisierte Normen

EN 60745-1:2009/A11:2010
EN 60745-2-4:2009/A11:2011
EN 62233:2008
EN 55014-1:2006/A2:2011
EN 55014-2:1997/A2:2008
EN 61000-3-2:2014
EN 61000-3-3:2013

Typ / Gerätebezeichnung:

Bandfeile PBF 400 A1

**Herstellungsjahr: 07-2015
Seriennummer: IAN 115720**

Bochum, 31.07.2015

Semi Uguzlu
- Qualitätsmanager -

Technische Änderungen im Sinne der Weiterentwicklung sind vorbehalten.

KOMPERNASS HANDELS GMBH

BURGSTRASSE 21
44867 BOCHUM
GERMANY

Last Information Update · Stand
der Informationen: 07/2015
Ident.-No.: PBF400A1072015-6

IAN 115720

