



[www.lidl-service.com](http://www.lidl-service.com)



## DEMOLITION HAMMER PAH 1300 A1

GB IE CY

### DEMOLITION HAMMER

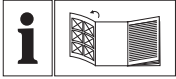
Translation of the original instructions

DE AT CH

### ABBRUCHHAMMER

Originalbetriebsanleitung

IAN 277023



GB IE CY

Before reading, unfold the page containing the illustrations and familiarise yourself with all functions of the device.

---

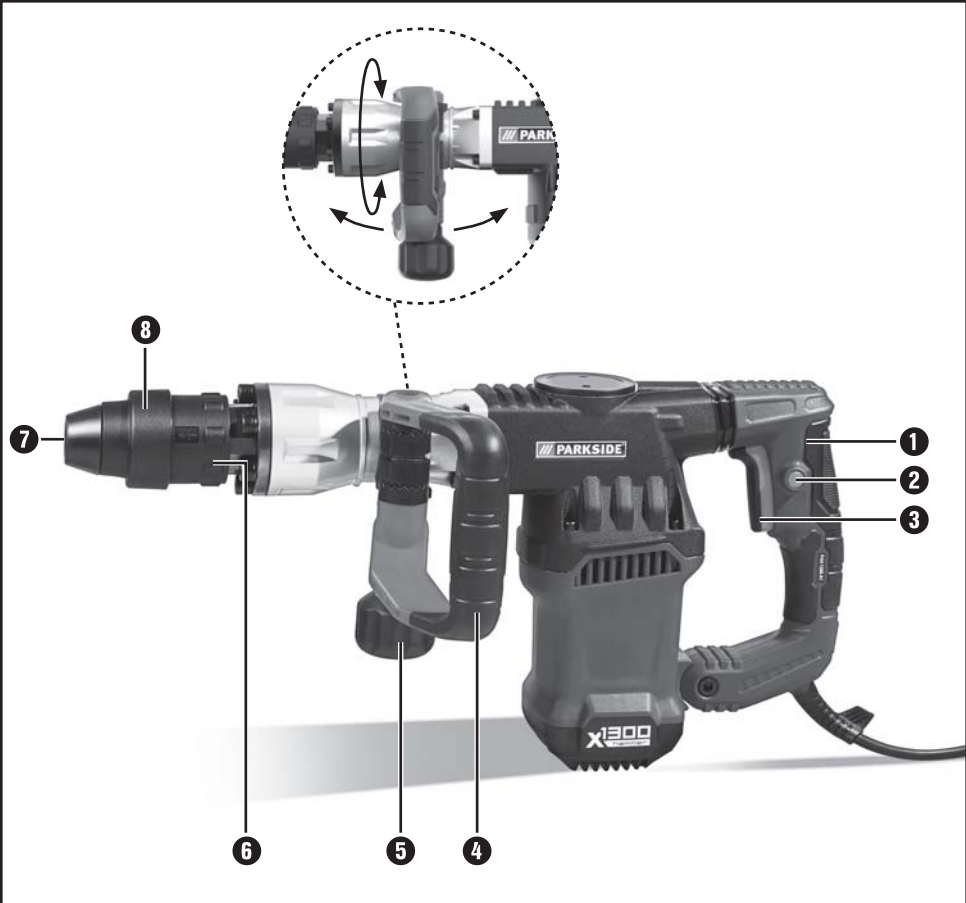
DE AT CH

Klappen Sie vor dem Lesen die Seite mit den Abbildungen aus und machen Sie sich anschließend mit allen Funktionen des Gerätes vertraut.

---

GB/IE/CY	Translation of the original instructions	Page	1
DE/AT/CH	Originalbetriebsanleitung	Seite	9

---



# Contents

<b>Introduction</b> .....	<b>2</b>
Intended use .....	2
Depicted components .....	2
Package contents .....	2
Technical data .....	2
<b>General Power Tool Safety Warnings</b> .....	<b>3</b>
1. Work area safety .....	3
2. Electrical safety .....	3
3. Personal safety .....	3
4. Power tool use and care .....	4
5. Service .....	4
Appliance-specific safety instructions for hammers .....	4
<b>Installation</b> .....	<b>5</b>
Additional handle: .....	5
Fitting a tool: .....	5
Removing a tool: .....	5
Adjust chisel position: .....	5
<b>Operation</b> .....	<b>5</b>
Switching on and off .....	5
<b>Maintenance and cleaning</b> .....	<b>5</b>
<b>Disposal</b> .....	<b>6</b>
<b>Warranty</b> .....	<b>6</b>
<b>Service</b> .....	<b>7</b>
<b>Importer</b> .....	<b>7</b>
<b>Translation of the original Conformity Declaration</b> .....	<b>7</b>

## DEMOLITION HAMMER PAH 1300 A1

### Introduction

Congratulations on the purchase of your new appliance. You have selected a high-quality product. The operating instructions are part of this product. They contain important information on safety, usage and disposal. Before using the product, please familiarise yourself with all operating and safety instructions. Use the product only as described and for the specified areas of application. Please also pass on these operating instructions to any future owner.

### Intended use

The demolition hammer PAH 1300 A1 is suitable for chiselling into concrete, stone and plaster.

Any other usage of or modification to the appliance is deemed to be improper and carries a significant risk of accidents.

The manufacturer accepts no responsibility for damage(s) attributable to misuse.

The appliance is not intended for commercial use.

### Depicted components

- ➊ Handle (rubberised grip)
- ➋ Locking switch
- ➌ ON/OFF switch
- ➍ Additional handle
- ➎ Knurled nut for additional handle
- ➏ Chisel adjustment ring
- ➐ Tool holder
- ➑ Locking collar
- ➒ Pointed chisel
- ➓ Flat chisel

### Package contents

- 1 demolition hammer PAH 1300 A1
- 1 additional handle (pre-assembled)
- 1 flat chisel
- 1 pointed chisel
- 1 carrying case
- 1 set of operating instructions

### Technical data

Nominal power:	1300 W
Rated voltage:	230 V ~ 50 Hz (alternating current)
Stroke rate:	3800 bpm
Impact energy:	15 Joules
Tool fitting:	SDS MAX
Protection class:	II/▣ (double shielded)

### Noise emission value:

Noise measurement value determined in accordance with EN 60745. The A-rated noise level of the power tool is typically as follows:

### Chiselling:

Sound pressure level:	$L_{pA} = 87 \text{ dB (A)}$
Uncertainty K:	3 dB
Sound power level:	$L_{WA} = 98 \text{ dB (A)}$
Uncertainty K:	3 dB

### Wear hearing protection!



Guaranteed sound power level  
LWA in dB.

### Total vibration value:

Total vibration values (vector total of three directions) determined in accordance with EN 60745:

### Main handle:

Chiselling:  $a_{h(\text{Cheq})} = 21.2 \text{ m/s}^2$ ,  $K = 1.5 \text{ m/s}^2$

### Auxiliary handle:

Chiselling:  $a_{h(\text{Cheq})} = 22.7 \text{ m/s}^2$ ,  $K = 1.5 \text{ m/s}^2$

**NOTE**

- ▶ The vibration level specified in these instructions has been measured in accordance with a standardised measuring procedure and can be used to make equipment comparisons. The specified vibration emission value can also be used to make an initial exposure estimate.

**⚠ WARNING!**

- ▶ The vibration level varies in accordance with the use of the power tool and may be higher than the value specified in these instructions in some cases. Regular use of the electric tool in such a way may cause the user to underestimate the vibration. Try to keep the vibration loads as low as possible. Measures to reduce the vibration load are, e.g. wearing gloves and limiting the working time. Wherein all states of operation must be included (e.g. times when the power tool is switched off and times where the power tool is switched on but running without load).



**General Power Tool**



**Safety Warnings**

**⚠ WARNING!**

- ▶ Read all safety warnings and all instructions. Failure to follow the warnings and instructions may result in electric shock, fire and/or serious injury.

**Save all warnings and instructions for future reference.**

The term "power tool" in the warnings refers to your mains-operated (corded) power tool or battery-operated (cordless) power tool.

**1. Work area safety**

- a) **Keep work area clean and well lit.** Cluttered or dark areas invite accidents.
- b) **Do not operate power tools in explosive atmospheres, such as in the presence of flammable liquids, gases or dust.** Power tools create sparks which may ignite the dust or fumes.
- c) **Keep children and bystanders away while operating a power tool.** Distractions can cause you to lose control.

**2. Electrical safety**

- a) **Power tool plugs must match the outlet. Never modify the plug in any way. Do not use any adapter plugs with earthed (grounded) power tools.** Unmodified plugs and matching outlets will reduce risk of electric shock.
- b) **Avoid body contact with earthed or grounded surfaces, such as pipes, radiators, ranges and refrigerators.** There is an increased risk of electric shock if your body is earthed or grounded.
- c) **Do not expose power tools to rain or wet conditions.** Water entering a power tool will increase the risk of electric shock.
- d) **Do not abuse the cord. Never use the cord for carrying, pulling or unplugging the power tool. Keep cord away from heat, oil, sharp edges or moving parts.** Damaged or entangled cords increase the risk of electric shock.
- e) **When operating a power tool outdoors, use an extension cord suitable for outdoor use.** Use of a cord suitable for outdoor use reduces the risk of electric shock.
- f) **If operating a power tool in a damp location is unavoidable, use a residual current device (RCD) protected supply.** Use of an RCD reduces the risk of electric shock.

**3. Personal safety**

- a) **Stay alert, watch what you are doing and use common sense when operating a power tool. Do not use a power tool while you are tired or under the influence of drugs, alcohol or medication.** A moment of inattention while operating power tools may result in serious personal injury.

- b) **Use personal protective equipment. Always wear eye protection.** Protective equipment such as dust mask, non-skid safety shoes, hard hat, or hearing protection used for appropriate conditions will reduce personal injuries.
- c) **Prevent unintentional starting. Ensure the switch is in the off position before connecting to power source and/or battery pack, picking up or carrying the tool.** Carrying power tools with your finger on the switch or energising power tools that have the switch on invites accidents.
- d) **Remove any adjusting key or wrench before turning the power tool on.** A wrench or a key left attached to a rotating part of the power tool may result in personal injury.
- e) **Do not overreach. Keep proper footing and balance at all times.** This enables better control of the power tool in unexpected situations.
- f) **Dress properly. Do not wear loose clothing or jewellery. Keep your hair, clothing and gloves away from moving parts.** Loose clothes, jewellery or long hair can be caught in moving parts.
- g) **If devices are provided for the connection of dust extraction and collection facilities, ensure these are connected and properly used.** Use of dust collection can reduce dust-related hazards.
- d) **Store idle power tools out of the reach of children and do not allow persons unfamiliar with the power tool or these instructions to operate the power tool.** Power tools are dangerous in the hands of untrained users.
- e) **Maintain power tools. Check for misalignment or binding of moving parts, breakage of parts and any other condition that may affect the power tool's operation. If damaged, have the power tool repaired before use.** Many accidents are caused by poorly maintained power tools.
- f) **Keep cutting tools sharp and clean.** Properly maintained cutting tools with sharp cutting edges are less likely to bind and are easier to control.
- g) **Use the power tool, accessories and tool bits etc. in accordance with these instructions, taking into account the working conditions and the work to be performed.** Use of the power tool for operations different from those intended could result in a hazardous situation.

#### **4. Power tool use and care**

- a) **Do not force the power tool. Use the correct power tool for your application.** The correct power tool will do the job better and safer at the rate for which it was designed.
- b) **Do not use the power tool if the switch does not turn it on and off.** Any power tool that cannot be controlled with the switch is dangerous and must be repaired.
- c) **Disconnect the plug from the power source and/or the battery pack from the power tool before making any adjustments, changing accessories, or storing power tools.** Such preventive safety measures reduce the risk of starting the power tool accidentally.

#### **5. Service**

- a) **Have your power tool serviced by a qualified repair person using only identical replacement parts.** This will ensure that the safety of the power tool is maintained.

#### **Appliance-specific safety instructions for hammers**

-  **Wear hearing protection.** The effect of noise can lead to hearing loss.
- **Use the additional handles supplied with the appliance.** Loss of control can lead to injuries.
- **Hold the appliance by the insulated handles when you are carrying out work during which the deployed tool may come into contact with concealed power cables or its own power cable.** Contact with a "live" wire may make exposed metal parts of the power tool "live" and could give the operator an electric shock.
-  **Wear a dust mask.**

## Installation

### Additional handle:

- ◆ You can position the additional handle **4** as you wish.
- ◆ Undo the knurled nut **5**.
- ◆ Swing the additional handle **4** around the appliance axis or 180° forward or backward into the desired position (see foldout page).
- ◆ Retighten the knurled nut **5**.

### Fitting a tool:

- ◆ Pull the locking sleeve **8** backwards.
- ◆ Insert the tool with a rotating movement in the tool holder **7** until it clicks into itself.
- ◆ Release the locking sleeve **8**.  
This locks the holder.  
Check that the tool is properly locked by pulling it. The system has radial play because of the design.

### Removing a tool:

- ◆ Pull the locking sleeve **8** backwards and pull the tool out of the tool holder **7**.



### Adjust chisel position:

- ◆ You can adjust the flat chisel **10** in optimal working position.
- ◆ Place the flat chisel **10** into the tool holder **7**.
- ◆ Push the chisel adjustment ring **6** forward and turn with the chisel adjustment ring **6** the flat chisel **10** to the required position.
- ◆ Release the chisel adjustment ring **6** and turn him until it clicks.

## Operation

### Switching on and off

During operation, you can choose between instantaneous and continuous operation.

#### Switching to instantaneous operation:

- ◆ Press the ON/OFF switch **3**.

#### Switching off instantaneous operation:

- ◆ Release the ON/OFF switch **3**.

#### Switching to continuous operation:

- ◆ Press the ON/OFF switch **3** and lock it in this position with the locking switch **2**.

#### Switching off continuous operation:

- ◆ Press the ON/OFF switch **3** and release it again.

## Maintenance and cleaning



**WARNING! RISK OF INJURY!** Switch the appliance off and remove the power plug before starting any work on the appliance.

- The appliance must always be kept clean, dry and free from oil or grease.
- Use a soft, dry cloth to clean the housing.
- Clean the tool holder **7** regularly:
- ◆ Before fitting a tool into the tool holder **7**, grease it lightly.

### **WARNING!**

- If the replacement of the supply cord is necessary, this has to be done by the manufacturer or his agent in order to avoid a safety hazard.



## Disposal



The packaging is made from environmentally friendly material and can be disposed of at your local recycling plant.



**Do not dispose of power tools in your normal household waste!**

European Directive 2012/19/EU requires that worn-out power tools be collected separately and recycled in an environmentally compatible manner.

Your local community or municipal authorities can provide information on how to dispose of the worn-out appliance.

## Warranty

This appliance is provided with a 3-year warranty valid from the date of purchase. The appliance has been manufactured with care and inspected meticulously prior to delivery.

Please retain your receipt as proof of purchase. In the event of a warranty claim, please contact your Customer Service unit by telephone. This is the only way to guarantee free return of your goods.

### NOTE

- ▶ The warranty only covers claims for material and manufacturing defects, not for transport damage, worn parts or damage to fragile components such as buttons or rechargeable batteries.

This appliance is intended solely for private use and not for commercial purposes. The warranty shall be deemed void in cases of misuse or improper handling, use of force and modifications/repairs which have not been carried out by one of our authorised Service centres.

Your statutory rights are not restricted by this warranty. The warranty period is not prolonged by repairs effected under the warranty. This also applies to replaced and repaired components.

Any damage and defects present at the time of purchase must be reported immediately after unpacking, but no later than two days after the date of purchase.

Repairs carried out after expiry of the warranty period shall be subject to charge.

## Service

**GB Service Great Britain**  
 Tel.: 0871 5000 720 (£ 0.10/Min.)  
 E-Mail: kompernass@lidl.co.uk  
 IAN 277023

**IE Service Ireland**  
 Tel.: 1890 930 034  
 (0,08 EUR/Min., (peak))  
 (0,06 EUR/Min., (off peak))  
 E-Mail: kompernass@lidl.ie  
 IAN 277023

**CY Service Cyprus**  
 Tel.: 8009 4409  
 E-Mail: kompernass@lidl.com.cy  
 IAN 277023

## Importer

KOMPERNASS HANDELS GMBH  
 BURGSTRASSE 21  
 44867 BOCHUM  
 GERMANY  
 www.kompernass.com

## Translation of the original Conformity Declaration

We, KOMPERNASS HANDELS GMBH, documents officer: Mr. Semi Uguzlu, BURGSTR. 21, 44867 BOCHUM, Deutschland, hereby declare that this product complies with the following standards, normative documents and the EC directives:

**Machinery Directive  
 (2006/42/EC)**

**EMC (Electromagnetic Compatibility)  
 (2014/30/EU)**

**RoHS Directive  
 (2011/65/EU)**

**Noise Directive  
 (2000 / 14 / EC)  
 (2005 / 88 / EC)**

### Applied harmonised standards:

EN 60745-1:2009/A11:2010  
 EN 60745-2-6:2010  
 EN 55014-1:2006/A2:2011  
 EN 55014-2:1997/A2:2008  
 EN 61000-3-2:2014  
 EN 61000-3-3:2013

### Type designation of machine:

Demolition hammer PAH 1300 A1

### Year of manufacture: 03-2016

### Serial number: IAN 277023

Bochum, 12/01/2016




Semi Uguzlu  
 - Quality Manager -

The right to effect technical changes in the context of further development is reserved.



# Inhaltsverzeichnis

<b>Einleitung</b> .....	<b>10</b>
Bestimmungsgemäßer Gebrauch .....	10
Abgebildete Komponenten .....	10
Lieferumfang .....	10
Technische Daten .....	10
<b>Allgemeine Sicherheitshinweise für Elektrowerkzeuge</b> .....	<b>11</b>
1. Arbeitsplatz-Sicherheit .....	11
2. Elektrische Sicherheit .....	11
3. Sicherheit von Personen .....	12
4. Verwendung und Behandlung des Elektrowerkzeugs .....	12
5. Service .....	13
Gerätespezifische Sicherheitshinweise für Hämmer .....	13
<b>Montage</b> .....	<b>13</b>
Zusatz-Handgriff: .....	13
Werkzeug einsetzen: .....	13
Werkzeug entnehmen: .....	13
Meißelposition verstellen: .....	13
<b>Inbetriebnahme</b> .....	<b>14</b>
Ein- und ausschalten .....	14
<b>Wartung und Reinigung</b> .....	<b>14</b>
<b>Entsorgung</b> .....	<b>14</b>
<b>Garantie</b> .....	<b>14</b>
<b>Service</b> .....	<b>15</b>
<b>Importeur</b> .....	<b>15</b>
<b>Original-Konformitätserklärung</b> .....	<b>15</b>

## **ABBRUCHHAMMER PAH 1300 A1**

### **Einleitung**

Wir beglückwünschen Sie zum Kauf Ihres neuen Gerätes. Sie haben sich damit für ein hochwertiges Produkt entschieden. Die Bedienungsanleitung ist Teil dieses Produkts. Sie enthält wichtige Hinweise für Sicherheit, Gebrauch und Entsorgung. Machen Sie sich vor der Benutzung des Produkts mit allen Bedien- und Sicherheitshinweisen vertraut. Benutzen Sie das Produkt nur wie beschrieben und für die angegebenen Einsatzbereiche. Händigen Sie alle Unterlagen bei Weitergabe des Produkts an Dritte mit aus.

### **Bestimmungsgemäßer Gebrauch**

Der Abbruchhammer PAH 1300 A1 ist geeignet zum Meißeln in Beton, Gestein und Verputz.

Jede andere Verwendung oder Veränderung des Gerätes gilt als nicht bestimmungsgemäß und birgt erhebliche Unfallgefahren.

Für aus bestimmungswidriger Verwendung entstandene Schäden übernimmt der Hersteller keine Haftung.

Das Gerät ist nicht für den gewerblichen Einsatz bestimmt.

### **Abgebildete Komponenten**

- ➊ Handgriff (Gummierte Grifffläche)
- ➋ Feststellschalter
- ➌ EIN- / AUS-Schalter
- ➍ Zusatz-Handgriff
- ➎ Rändelmutter für Zusatzhandgriff
- ➏ Meißelverstellring
- ➐ Werkzeugaufnahme
- ➑ Verriegelungshülse
- ➒ Spitzmeißel
- ➓ Flachmeißel

### **Lieferumfang**

- 1 Abbruchhammer PAH 1300 A1
- 1 Zusatz-Handgriff (vormontiert)
- 1 Flachmeißel
- 1 Spitzmeißel
- 1 Tragekoffer
- 1 Bedienungsanleitung

### **Technische Daten**

Nennleistung:	1300 W
Nennspannung:	230 V ~ 50 Hz (Wechselstrom)
Schlagzahl:	3800 min <sup>-1</sup>
Schlagenergie:	15 Joule
Aufnahme:	SDS MAX
Schutzklasse:	II/□ (Doppelisolierung)

### **Geräuschemissionswert:**

Messwert für Geräusch ermittelt entsprechend EN 60745. Der A-bewertete Geräuschpegel des Elektrowerkzeugs beträgt typischerweise:

#### **Meißeln:**

Schalldruckpegel:	$L_{pA} = 87 \text{ dB(A)}$
Unsicherheit K:	3 dB
Schalleistungspegel:	$L_{WA} = 98 \text{ dB(A)}$
Unsicherheit K:	3 dB

### **Gehörschutz tragen!**



Garantierter Schalleistungspegel  
LWA in dB.

### **Schwingungsgesamtwert:**

Schwingungsgesamtwerte (Vektorsumme dreier Richtungen) ermittelt entsprechend EN 60745:

#### **Hauptgriff:**

Meißeln:  $a_{h(\text{Cheq})} = 21,2 \text{ m/s}^2$ ,  $K = 1,5 \text{ m/s}^2$

#### **Zusatzhandgriff :**

Meißeln:  $a_{h(\text{Cheq})} = 22,7 \text{ m/s}^2$ ,  $K = 1,5 \text{ m/s}^2$

**HINWEIS**

- ▶ Der in diesen Anweisungen angegebene Schwingungspegel ist entsprechend einem genormten Messverfahren gemessen worden und kann für den Gerätevergleich verwendet werden. Der angegebene Schwingungsemissionswert kann auch zu einer einleitenden Einschätzung der Aussetzung verwendet werden.

**⚠️ WARNUNG!**

- ▶ Der Schwingungspegel wird sich entsprechend dem Einsatz des Elektrowerkzeugs verändern und kann in manchen Fällen über dem in diesen Anweisungen angegebenen Wert liegen. Die Schwingungsbelastung könnte unterschätzt werden, wenn das Elektrowerkzeug regelmäßig in solcher Weise verwendet wird. Versuchen Sie, die Belastung durch Vibrationen so gering wie möglich zu halten. Beispielhafte Maßnahmen zur Verringerung der Vibrationsbelastung sind das Tragen von Handschuhen beim Gebrauch des Werkzeugs und die Begrenzung der Arbeitszeit. Dabei sind alle Anteile des Betriebszyklus zu berücksichtigen (beispielsweise Zeiten, in denen das Elektrowerkzeug abgeschaltet ist, und solche, in denen es zwar eingeschaltet ist, aber ohne Belastung läuft).



**Allgemeine Sicherheitshinweise für Elektrowerkzeuge**



**⚠️ WARNUNG!**

- ▶ **Lesen Sie alle Sicherheitshinweise und Anweisungen.** Versäumnisse bei der Einhaltung der Sicherheitshinweise und Anweisungen können elektrischen Schlag, Brand und/oder schwere Verletzungen verursachen.

**Bewahren Sie alle Sicherheitshinweise und Anweisungen für die Zukunft auf.**

Der in den Sicherheitshinweisen verwendete Begriff „Elektrowerkzeug“ bezieht sich auf netzbetriebene Elektrowerkzeuge (mit Netzkabel) und auf akkubetriebene Elektrowerkzeuge (ohne Netzkabel).

**1. Arbeitsplatz-Sicherheit**

- Halten Sie Ihren Arbeitsbereich sauber und gut beleuchtet.** Unordnung und unbeleuchtete Arbeitsbereiche können zu Unfällen führen.
- Arbeiten Sie mit dem Elektrowerkzeug nicht in explosionsgefährdeter Umgebung, in der sich brennbare Flüssigkeiten, Gase oder Stäube befinden.** Elektrowerkzeuge erzeugen Funken, die den Staub oder die Dämpfe entzünden können.
- Halten Sie Kinder und andere Personen während der Benutzung des Elektrowerkzeugs fern.** Bei Ablenkung können Sie die Kontrolle über das Gerät verlieren.

**2. Elektrische Sicherheit**

- Der Anschlussstecker des Elektrowerkzeuges muss in die Steckdose passen.** Der Stecker darf in keiner Weise verändert werden. **Verwenden Sie keine Adapterstecker gemeinsam mit schutzgeerdeten Elektrowerkzeugen.** Unveränderte Stecker und passende Steckdosen verringern das Risiko eines elektrischen Schlages.
- Vermeiden Sie Körperkontakt mit geerdeten Oberflächen, wie von Rohren, Heizungen, Herden und Kühlschränken.** Es besteht ein erhöhtes Risiko durch elektrischen Schlag, wenn Ihr Körper geerdet ist.

- c) Halten Sie Elektrowerkzeuge von Regen oder Nässe fern. Das Eindringen von Wasser in ein Elektrogerät erhöht das Risiko eines elektrischen Schlages.
- d) Zweckenfremden Sie das Kabel nicht, um das Elektrowerkzeug zu tragen, aufzuhängen oder um den Stecker aus der Steckdose zu ziehen. Halten Sie das Kabel fern von Hitze, Öl, scharfen Kanten oder sich bewegenden Geräteteilen. Beschädigte oder verwickelte Kabel erhöhen das Risiko eines elektrischen Schlages.
- e) Wenn Sie mit einem Elektrowerkzeug im Freien arbeiten, verwenden Sie nur Verlängerungskabel, die auch für den Außenbereich zugelassen sind. Die Anwendung eines für den Außenbereich geeigneten Verlängerungskabels verringert das Risiko eines elektrischen Schlages.
- f) Wenn der Betrieb des Elektrowerkzeuges in feuchter Umgebung nicht vermeidbar ist, verwenden Sie einen Fehlerstromschutzschalter. Der Einsatz eines Fehlerstromschutzschalters vermindert das Risiko eines elektrischen Schlages.
- d) Entfernen Sie Einstellwerkzeuge oder Schraubenschlüssel, bevor Sie das Elektrowerkzeug einschalten. Ein Werkzeug oder Schlüssel, der sich in einem drehenden Geräteteil befindet, kann zu Verletzungen führen.
- e) Vermeiden Sie eine abnormale Körperhaltung. Sorgen Sie für einen sicheren Stand und halten Sie jederzeit das Gleichgewicht. Dadurch können Sie das Elektrowerkzeug in unerwarteten Situationen besser kontrollieren.
- f) Tragen Sie geeignete Kleidung. Tragen Sie keine weite Kleidung oder Schmuck. Halten Sie Haare, Kleidung und Handschuhe fern von sich bewegenden Teilen. Lockere Kleidung, Schmuck oder lange Haare können von sich bewegenden Teilen erfasst werden.
- g) Wenn Staubabsaug- und -auffangeinrichtungen montiert werden können, vergewissern Sie sich, dass diese angeschlossen sind und richtig verwendet werden. Die Verwendung einer Staubabsaugung kann Gefährdungen durch Staub verringern.

### 3. Sicherheit von Personen

- a) Seien Sie stets aufmerksam, achten Sie darauf, was Sie tun und gehen Sie mit Vernunft an die Arbeit mit einem Elektrowerkzeug. Benutzen Sie kein Elektrowerkzeug, wenn Sie müde sind oder unter dem Einfluss von Drogen, Alkohol oder Medikamenten stehen. Ein Moment der Unachtsamkeit beim Gebrauch des Elektrowerkzeuges kann zu ernsthaften Verletzungen führen.
- b) Tragen Sie persönliche Schutzausrüstung und immer eine Schutzbrille. Das Tragen persönlicher Schutzausrüstung wie Staubmaske, rutschfeste Sicherheitsschuhe, Schutzhelm oder Gehörschutz, je nach Art und Einsatz des Elektrowerkzeuges, verringert das Risiko von Verletzungen.
- c) Vermeiden Sie eine unbeabsichtigte Inbetriebnahme. Vergewissern Sie sich, dass das Elektrowerkzeug ausgeschaltet ist, bevor Sie es an die Stromversorgung und/oder den Akku anschließen, es aufnehmen oder tragen. Wenn Sie beim Tragen des Elektrowerkzeuges den Finger am Schalter haben oder das Gerät bereits eingeschaltet an die Stromversorgung anschließen, kann dies zu Unfällen führen.

### 4. Verwendung und Behandlung des Elektrowerkzeugs


- a) Überlasten Sie das Gerät nicht. Verwenden Sie für Ihre Arbeit das dafür bestimmte Elektrowerkzeug. Mit dem passenden Elektrowerkzeug arbeiten Sie besser und sicherer im angegebenen Leistungsbereich.
- b) Benutzen Sie kein Elektrowerkzeug, dessen Schalter defekt ist. Ein Elektrowerkzeug, das sich nicht mehr ein- oder ausschalten lässt, ist gefährlich und muss repariert werden.
- c) Ziehen Sie den Stecker aus der Steckdose und/oder entfernen Sie den Akku, bevor Sie Geräteeinstellungen vornehmen, Zubehörteile wechseln oder das Gerät weglegen. Diese Vorsichtsmaßnahme verhindert den unbeabsichtigten Start des Elektrowerkzeuges.
- d) Bewahren Sie unbenutzte Elektrowerkzeuge außerhalb der Reichweite von Kindern auf. Lassen Sie Personen das Gerät nicht benutzen, die mit diesem nicht vertraut sind oder diese Anweisungen nicht gelesen haben. Elektrowerkzeuge sind gefährlich, wenn sie von unerfahrenen Personen benutzt werden.

- e) Pflegen Sie Elektrowerkzeuge mit Sorgfalt. Kontrollieren Sie, ob bewegliche Teile einwandfrei funktionieren und nicht klemmen, ob Teile gebrochen oder so beschädigt sind, dass die Funktion des Elektrowerkzeuges beeinträchtigt ist. Lassen Sie beschädigte Teile vor dem Einsatz des Gerätes reparieren. Viele Unfälle haben ihre Ursache in schlecht gewarteten Elektrowerkzeugen.
- f) Halten Sie Schneidwerkzeuge scharf und sauber. Sorgfältig gepflegte Schneidwerkzeuge mit scharfen Schneidkanten verkleben sich weniger und sind leichter zu führen.
- g) Verwenden Sie Elektrowerkzeug, Zubehör, Einsatzwerkzeuge usw. entsprechend diesen Anweisungen. Berücksichtigen Sie dabei die Arbeitsbedingungen und die auszuführende Tätigkeit. Der Gebrauch von Elektrowerkzeugen für andere als die vorgesehenen Anwendungen kann zu gefährlichen Situationen führen.

## 5. Service

- a) Lassen Sie Ihr Elektrowerkzeug nur von qualifiziertem Fachpersonal und nur mit Original-Ersatzteilen reparieren. Damit wird sichergestellt, dass die Sicherheit des Elektrowerkzeugs erhalten bleibt.

## Gerätespezifische Sicherheitshinweise für Hämmer

-  Tragen Sie Gehörschutz. Die Einwirkung von Lärm kann Gehörverlust bewirken.
- Benutzen Sie mit dem Gerät gelieferte Zusatzhandgriffe. Der Verlust der Kontrolle kann zu Verletzungen führen.
- Halten Sie das Gerät an den isolierten Griffflächen, wenn Sie Arbeiten ausführen, bei denen das Einsatzwerkzeug verborgene Stromleitungen oder das eigene Netzkabel treffen kann. Der Kontakt mit einer spannungsführenden Leitung kann auch metallene Geräteteile unter Spannung setzen und zu einem elektrischen Schlag führen.
-  Tragen Sie eine Staubschutzmaske.

## Montage

### Zusatz-Handgriff:

- ◆ Sie können den Zusatz-Handgriff 4 beliebig schwenken.
- ◆ Lösen Sie die Rändelmutter 5.
- ◆ Schwenken Sie den Zusatz-Handgriff 4 um die Geräteachse und/oder um 180° nach vorne oder hinten in die gewünschte Position (siehe Ausklappseite).
- ◆ Ziehen Sie die Rändelmutter 5 wieder fest.

### Werkzeug einsetzen:

- ◆ Ziehen Sie die Verriegelungshülse 8 nach hinten.
- ◆ Setzen Sie das Werkzeug mit einer drehenden Bewegung in die Werkzeugaufnahme 7 ein, bis es selbst einrastet.
- ◆ Lassen Sie die Verriegelungshülse 8 los. Dadurch wird die Aufnahme verriegelt. Überprüfen Sie durch Ziehen des Werkzeugs die einwandfreie Verriegelung. Das Werkzeug hat systembedingt ein radiales Spiel.

### Werkzeug entnehmen:

- ◆ Ziehen Sie die Verriegelungshülse 8 des Werkzeugs nach hinten und ziehen Sie das Werkzeug aus der Werkzeugaufnahme 7 heraus.

### Meißelposition verstellen:

- ◆ Sie können den Flachmeißel 10 in eine für Sie optimale Arbeitsposition verstellen.
- ◆ Setzen Sie den Flachmeißel 10 in die Werkzeugaufnahme 7 ein.
- ◆ Schieben Sie den Meißelverstellung 6 nach vorne und drehen Sie mit dem Meißelverstellung 6 den Flachmeißel 10 in die erforderliche Position.
- ◆ Lassen Sie den Meißelverstellung 6 los und drehen Sie ihn bis er einrastet.



## Inbetriebnahme

### Ein- und ausschalten

Sie können beim Betrieb zwischen Moment- und Dauerbetrieb auswählen.

#### Momentbetrieb einschalten:

- ◆ Drücken Sie den EIN-/AUS-Schalter **3**.

#### Momentbetrieb ausschalten:

- ◆ Lassen Sie den EIN-/AUS-Schalter **3** los.

#### Dauerbetrieb einschalten:

- ◆ Drücken Sie den EIN- / AUS-Schalter **3** und stellen Sie ihn im gedrückten Zustand mit dem Feststellschalter **2** fest.

#### Dauerbetrieb ausschalten:

- ◆ Drücken Sie den EIN- / AUS-Schalter **3** und lassen Sie ihn wieder los.

## Wartung und Reinigung



**WARNUNG! VERLETZUNGSGEFAHR!**  
Schalten Sie vor allen Arbeiten am Gerät das Gerät aus und ziehen Sie den Netzstecker.

- Das Gerät muss stets sauber, trocken und frei von Öl oder Schmierfetten sein.
- Verwenden Sie zum Reinigen des Gehäuses ein trockenes Tuch.
- Säubern Sie regelmäßig die Werkzeugaufnahme **7**:
- ◆ Fetten Sie vor dem Einsetzen des Werkzeugs die Werkzeugaufnahme **7** leicht ein.

### **⚠️ WARNUNG!**

- Wenn die Anschlussleitung des Elektrowerkzeugs beschädigt ist, muss sie durch eine speziell vorgeschaltete Anschlussleitung ersetzt werden, die über die Kundendienstorganisation erhältlich ist.

## Entsorgung



Die Verpackung besteht aus umweltfreundlichen Materialien, die Sie über die örtlichen Recyclingstellen entsorgen können.



**Werfen Sie Elektrowerkzeuge nicht in den Hausmüll!**

Gemäß Europäischer Richtlinie 2012/19/EU müssen verbrauchte Elektrowerkzeuge getrennt gesammelt und einer umweltgerechten Wiederverwertung zugeführt werden.

Möglichkeiten zur Entsorgung des ausgedienten Gerätes erfahren Sie bei Ihrer Gemeinde- oder Stadtverwaltung.

## Garantie

Sie erhalten auf dieses Gerät 3 Jahre Garantie ab Kaufdatum. Das Gerät wurde sorgfältig produziert und vor Anlieferung gewissenhaft geprüft.

Bitte bewahren Sie den Kassenbon als Nachweis für den Kauf auf. Bitte setzen Sie sich im Garantiefall mit Ihrer Servicestelle telefonisch in Verbindung. Nur so kann eine kostenlose Einsendung Ihrer Ware gewährleistet werden.

### **HINWEIS**

- ▶ Die Garantieleistung gilt nur für Material- oder Fabrikationsfehler, nicht aber für Transportschäden, Verschleißteile oder für Beschädigungen an zerbrechlichen Teilen, z. B. Schalter oder Akkus.

Das Produkt ist lediglich für den privaten und nicht für den gewerblichen Gebrauch bestimmt. Bei missbräuchlicher und unsachgemäßer Behandlung, Gewaltanwendung und bei Eingriffen, die nicht von unserer autorisierten Service-Niederlassung vorgenommen wurden, erlischt die Garantie.

Ihre gesetzlichen Rechte werden durch diese Garantie nicht eingeschränkt. Die Garantiezeit wird durch die Gewährleistung nicht verlängert. Dies gilt auch für ersetzte und reparierte Teile.

Eventuell schon beim Kauf vorhandene Schäden und Mängel müssen sofort nach dem Auspacken gemeldet werden, spätestens aber zwei Tage nach Kaufdatum. Nach Ablauf der Garantiezeit anfallende Reparaturen sind kostenpflichtig.

## Service

- DE Service Deutschland**  
 Tel.: 0800 5435 111  
 E-Mail: kompernass@lidl.de  
IAN 277023
- AT Service Österreich**  
 Tel.: 0820 201 222 (0,15 EUR/Min.)  
 E-Mail: kompernass@lidl.at  
IAN 277023
- CH Service Schweiz**  
 Tel.: 0842 665566 (0,08 CHF/Min.,  
 Mobilfunk max. 0,40 CHF/Min.)  
 E-Mail: kompernass@lidl.ch  
IAN 277023

## Importeur

KOMPERNASS HANDELS GMBH  
 BURGSTRASSE 21  
 44867 BOCHUM  
 GERMANY  
 www.kompernass.com

## Original-Konformitätserklärung

Wir, KOMPERNASS HANDELS GMBH, Dokumentenverantwortlicher: Herr Semi Uguzlu, BURGSTR. 21, 44867 BOCHUM, Deutschland, erklären hiermit, dass dieses Produkt mit den folgenden Normen, normativen Dokumenten und EG-Richtlinien übereinstimmt:

- Maschinenrichtlinie (2006 / 42 / EC)**
- Elektromagnetische Verträglichkeit (2014 / 30 / EU)**
- RoHS Richtlinie (2011 / 65 / EU)**
- Richtlinie für Geräuschemission (2000 / 14 / EC)**  
**(2005 / 88 / EC)**

### Angewandte harmonisierte Normen:

- EN 60745-1:2009/A11:2010
- EN 60745-2-6:2010
- EN 55014-1:2006/A2:2011
- EN 55014-2:1997/A2:2008
- EN 61000-3-2:2014
- EN 61000-3-3:2013

### Typbezeichnung der Maschine:

Abbruchhammer PAH 1300 A1

### Herstellungsjahr: 03-2016

### Seriennummer: IAN 277023

Bochum, 12.01.2016




Semi Uguzlu

- Qualitätsmanager -

Technische Änderungen im Sinne der Weiterentwicklung sind vorbehalten.



**KOMPERNASS HANDELS GMBH**

BURGSTRASSE 21

44867 BOCHUM

DEUTSCHLAND / GERMANY

[www.kompernass.com](http://www.kompernass.com)

Last Information Update · Stand der Informationen:

02 / 2016 · Ident.-No.: PAH1300A1-022016-2

IAN 277023