



JIGSAW PSTK 800 B2

(GB) (CY)

JIGSAW

Translation of original operation manual

(RO)

FERĂSTRĂU PENDULAR

Traducerea instrucțiunilor de utilizare original

(GR) (CY)

ΣΕΓΑ ΤΑΛΑΝΤΩΣΗΣ

Μετάφραση των αυθεντικών οδηγιών λειτουργίας

(HR)

NJIŠUĆA UBODNA PILA

Prijevod originalnih uputa za uporabu

(BG)

МАХАЛЕН ПРОБОДЕН ТРИОН

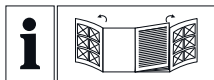
Превод на оригиналното ръководство за експлоатация

(DE) (AT) (CH)

PENDELHUBSTICHSÄGE

Originalbetriebsanleitung

IAN 282403



GB CY

Before reading, unfold both pages containing illustrations and familiarise yourself with all functions of the device.

HR

Rasklopite prije čitanja obje stranice sa slikama i nakon toga se upoznaćete sa svim funkcijama uređaja.

RO

Înainte de a citi instrucțiunile, priviți ambele pagini cu imagini și familiarizați-vă cu toate funcțiile aparatului.

BG

Преди да прочетете отворете двете страници с фигурите и след това се запознайте с всички функции на уреда.

GR CY

Πριν ξεκινήσετε την ανάγνωση, ανοίξτε τη σελίδα με τις εικόνες και εξοικειωθείτε με όλες τις λειτουργίες της συσκευής.

DE AT CH

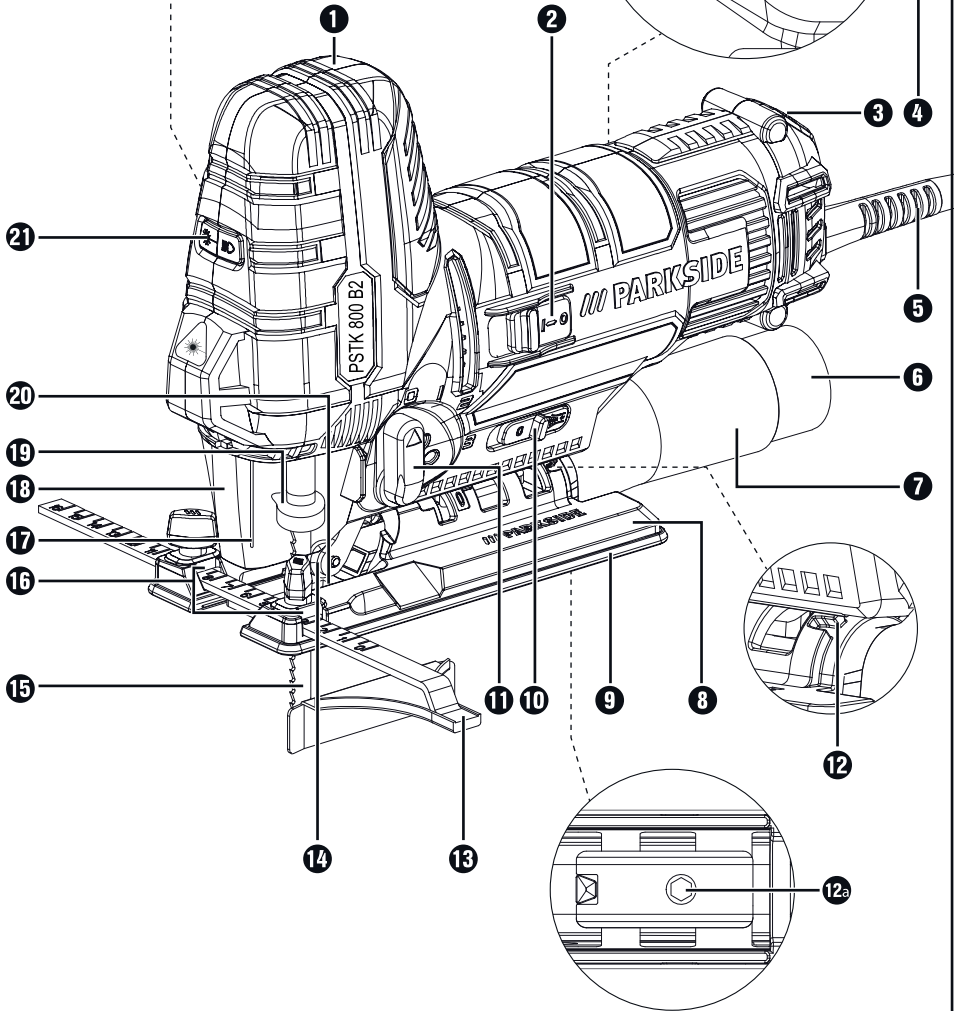
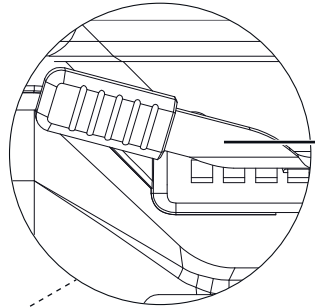
Klappen Sie vor dem Lesen die beiden Seiten mit den Abbildungen aus und machen Sie sich anschließend mit allen Funktionen des Gerätes vertraut.

GB/CY	Translation of the original instructions	Page	1
HR	Prijevod originalnih uputa za uporabu	Stranica	11
RO	Traducerea instrucțiunilor de utilizare original	Pagina	21
BG	Превод на оригиналното ръководство за експлоатация	Страница	31
GR/CY	Μετάφραση των αυθεντικών οδηγιών λειτουργίας	Σελίδα	43
DE/AT/CH	Originalbetriebsanleitung	Seite	53

LASER
2



P max. < 1 mW · λ: 650 nm · EN 60825-1:2014



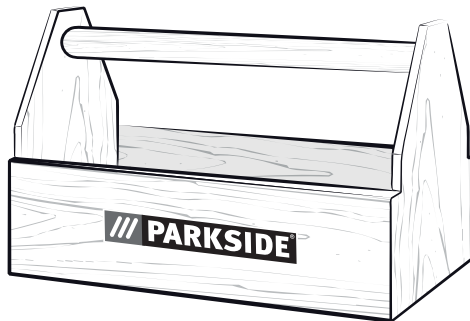
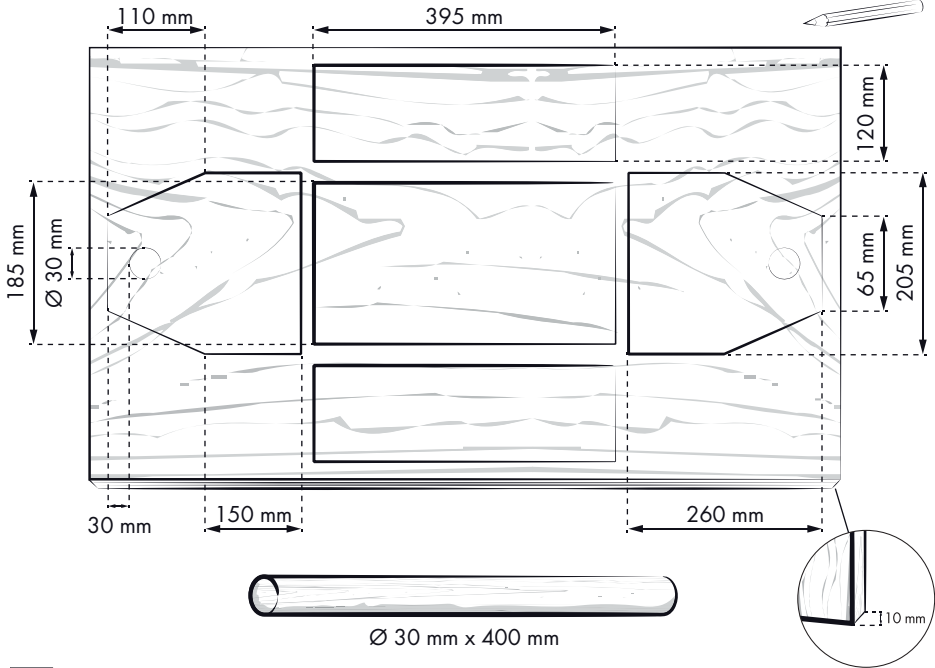
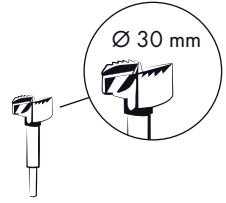
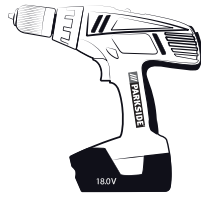
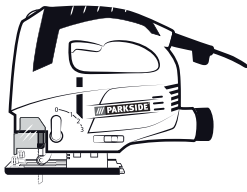


Table of Contents

Introduction	2
Proper use	2
Features	2
Package contents	2
Technical details	2
General Power Tool Safety Warnings	3
1. Work area safety	3
2. Electrical safety	3
3. Personal safety	3
4. Power tool use and care	4
5. Service	4
Safety instructions specifically for jigsaws	4
Original accessories/additional equipment	5
Information on saw blades	5
Initial operation	6
Fitting/changing the saw blade	6
Fitting the guide fence	6
Connecting the sawdust extraction appliance	6
Fitting the splinter guard	6
Operation	6
Setting the cutting angle	6
Setting the stroke rate	6
Setting the pendulum stroke	7
Switching on/off	7
Switching the laser/working light on/off	7
Sawdust blowing function	7
Maintenance and Cleaning	7
Kompnass Handels GmbH warranty	8
Service	9
Importer	9
Disposal	9
Translation of the original Conformity Declaration	10

JIGSAW PSTK 800 B2

Introduction



Congratulations on the purchase of your new appliance. You have selected a high-quality product. The operating instructions are part of this product. They contain important information on safety, use and disposal. Before using the product, familiarise yourself with all operating and safety instructions. Use this product only as described and only for the specified areas of application. Please also pass these operating instructions on to any future owner(s).

Proper use

This appliance is suitable for straight and curved cuts as well as mitre cuts of up to 45° on angular workpieces made of plastic, wood and light metal. This appliance is exclusively intended for private use in dry rooms. Observe the information on saw blade types. Any other usage of or modification to the appliance is deemed to be improper usage and carries the risk of serious personal injury. The manufacturer accepts no responsibility for damage(s) arising out of usage contrary to the instructions specified below.

Features

- 1 Knob handle
- 2 ON/OFF switch
- 3 Stroke rate adjusting wheel
- 4 Clamping lever
- 5 Power cable
- 6 Reducer
- 7 Extraction connector
- 8 Baseplate
- 9 Sliding shoe
- 10 Switch for sawdust blower
- 11 Pendulum stroke switch
- 12 Tothing
- 12a Clamping screw
- 13 Guide fence
- 14 Guide roller
- 15 Saw blade
- 16 Insertion openings (each incl. clamping screw)

- 17 Guard
- 18 Pivoting guard
- 19 Quick-release chuck
- 20 Splinter guard
- 21 ON/OFF switch laser/working light

Package contents

- 1 jigsaw incl. extraction connector
- 1 guide fence
- 1 reducer
- 1 operating manual
- 3 saw blades for woodwork
- 1 saw blade for metalwork

Technical details

Jigsaw:	Parkside PSTK 800 B2
Rated voltage:	230 V ~ 50 Hz (Alternating Current)
Rated input:	800 W
No-load speed:	n_0 : 0 - 3100 rpm
Cutting depth:	wood/metal: 80/8 mm
Pendulum stroke:	3 stages and fine cut adjustment
Diagonal cuts:	0° / 22,5° / 45° left/right
Protection class:	II/□ (double insulation)

Noise and vibration data:

Noise measurement determined in accordance with EN 60745. The A-rated noise level of the electric tool is typically:

Noise emission value:

Sound pressure level:	$L_{pA} = 90$ dB(A)
Uncertainty K:	$K_{pA} = 3$ dB
Sound power level:	$L_{wA} = 101$ dB(A)
Uncertainty K:	$K_{wA} = 3$ dB

Wear ear protection!

Vibration total values (trax vector sum) determined according to EN 60745:

Vibration emission value:

Cutting boards $a_{h,B}$:	10.2 m/s ²
Uncertainty K:	1.5 m/s ²
Cutting sheet metal: $a_{h,M}$:	11.9 m/s ²
Uncertainty K:	1.5 m/s ²

⚠ WARNING!

- ▶ The vibration level specified in these instructions has been measured in accordance with the standardised measuring procedure specified in EN 60745 and can be used to make equipment comparisons. The specified vibration emission value can also be used to make an initial exposure estimate. The vibration level varies in accordance with the use of the electric tool and may be higher than the value specified in these instructions in some cases. The vibration load could be underestimated if the electric tool is regularly used in such a way.

NOTE

- ▶ Try to keep the vibration loads as low as possible. Measures to reduce the vibration load are, e.g. wearing gloves and limiting the working time. Wherein all states of operation must be included (e.g. times when the power tool is switched off and times where the power tool is switched on but running without load).

⚠ General Power Tool Safety Warnings

⚠ WARNING!

- ▶ Read all safety warnings and all instructions. Failure to follow the warnings and instructions may result in electric shock, fire and/or serious injury.

Save all warnings and instructions for future reference.

The term “power tool” in the warnings refers to your mains-operated (corded) power tool or battery-operated (cordless) power tool.

1. Work area safety

- a) **Keep work area clean and well lit.** Cluttered or dark areas invite accidents.
- b) **Do not operate power tools in explosive atmospheres, such as in the presence of flammable liquids, gases or dust.** Power tools create sparks which may ignite the dust or fumes.

- c) **Keep children and bystanders away while operating a power tool.** Distractions can cause you to lose control.

2. Electrical safety

- a) **Power tool plugs must match the outlet. Never modify the plug in any way. Do not use any adapter plugs with earthed (grounded) power tools.** Unmodified plugs and matching outlets will reduce risk of electric shock.
- b) **Avoid body contact with earthed or grounded surfaces, such as pipes, radiators, ranges and refrigerators.** There is an increased risk of electric shock if your body is earthed or grounded.
- c) **Do not expose power tools to rain or wet conditions.** Water entering a power tool will increase the risk of electric shock.
- d) **Do not abuse the cord. Never use the cord for carrying, pulling or unplugging the power tool. Keep cord away from heat, oil, sharp edges or moving parts.** Damaged or entangled cords increase the risk of electric shock.
- e) **When operating a power tool outdoors, use an extension cord suitable for outdoor use.** Use of a cord suitable for outdoor use reduces the risk of electric shock.
- f) **If operating a power tool in a damp location is unavoidable, use a residual current device (RCD) protected supply.** Use of an RCD reduces the risk of electric shock.

3. Personal safety

- a) **Stay alert, watch what you are doing and use common sense when operating a power tool. Do not use a power tool while you are tired or under the influence of drugs, alcohol or medication.** A moment of inattention while operating power tools may result in serious personal injury.
- b) **Use personal protective equipment. Always wear eye protection.** Protective equipment such as dust mask, non-skid safety shoes, hard hat, or hearing protection used for appropriate conditions will reduce personal injuries.

- c) **Prevent unintentional starting.** Ensure the switch is in the off-position before connecting to power source and/or battery pack, picking up or carrying the tool. Carrying power tools with your finger on the switch or energising power tools that have the switch on invites accidents.
- d) **Remove any adjusting key or wrench before turning the power tool on.** A wrench or a key left attached to a rotating part of the power tool may result in personal injury.
- e) **Do not overreach. Keep proper footing and balance at all times.** This enables better control of the power tool in unexpected situations.
- f) **Dress properly. Do not wear loose clothing or jewellery. Keep your hair, clothing and gloves away from moving parts.** Loose clothes, jewellery or long hair can be caught in moving parts.
- g) **If devices are provided for the connection of dust extraction and collection facilities, ensure these are connected and properly used.** Use of dust collection can reduce dust-related hazards.
- e) **Maintain power tools. Check for misalignment or binding of moving parts, breakage of parts and any other condition that may affect the power tool's operation. If damaged, have the power tool repaired before use.** Many accidents are caused by poorly maintained power tools.
- f) **Keep cutting tools sharp and clean.** Properly maintained cutting tools with sharp cutting edges are less likely to bind and are easier to control.
- g) **Use the power tool, accessories and tool bits etc. in accordance with these instructions, taking into account the working conditions and the work to be performed.** Use of the power tool for operations different from those intended could result in a hazardous situation.

5. Service

- a) **Have your power tool serviced by a qualified repair person using only identical replacement parts.** This will ensure that the safety of the power tool is maintained.

4. Power tool use and care

- a) **Do not force the power tool. Use the correct power tool for your application.** The correct power tool will do the job better and safer at the rate for which it was designed.
- b) **Do not use the power tool if the switch does not turn it on and off.** Any power tool that cannot be controlled with the switch is dangerous and must be repaired.
- c) **Disconnect the plug from the power source and/or the battery pack from the power tool before making any adjustments, changing accessories, or storing power tools.** Such preventive safety measures reduce the risk of starting the power tool accidentally.
- d) **Store idle power tools out of the reach of children and do not allow persons unfamiliar with the power tool or these instructions to operate the power tool.** Power tools are dangerous in the hands of untrained users.
- **Hold the electric tool by the insulated handles when you are carrying out work during which the electric tool may come into contact with concealed power cables or its own power cable.** Contact with a live cable may also cause metal parts of the appliance to become live and lead to electric shock.
- **Keep your hands away from the sawing area.** Do not reach underneath the workpiece. Contact with the saw blade may result in injury.
- **Keep your hands away from the stroke rod and the quick-release chuck.** Contact with these components may result in a crushing injury.
- **Always switch on the electrical power tool before applying it to the workpiece.** Otherwise, there is a risk of a kickback.
- **When sawing, ensure that the baseplate 8 is in contact with the workpiece.**

Safety instructions specifically for jigsaws

- After completing your work, switch the electric tool off and do not pull the saw blade **15** out of the cut until the tool has come to a standstill. This avoids kickbacks, and allows you to put the tool down safely.
- Only use undamaged saw blades that are in perfect working order. Bent and blunt saw blades can break or cause a kickback.
- Do not try and slow the saw blade **15** down after switching off by applying lateral pressure. The saw blade **15** can be damaged, break or cause a kickback.
- Immobilise the workpiece securely. Use clamps/vices to hold the workpiece firmly. This is much safer than simply holding it in your hand.
- Always run the power cord away from the appliance to the rear.
- Never work on moistened materials or wet surfaces.
- **Hazards caused by dust!** When working for extended periods on wood and, in particular, materials that produce dusts that are hazardous to health, connect the appliance to an appropriate dust extraction appliance.
- Wear a dust mask.
- Ensure there is sufficient ventilation.



WARNING! Protect yourself from laser radiation!



P max.: < 1 mW • λ: 650 nm • EN 60825-1:2014

- Never look directly into the laser beam or into the opening from which it emerges.

! WARNING!

- ▶ Looking at a laser beam through optical instruments (e.g. magnifying glasses etc.) can cause eye injuries.
 - ▶ Caution! If operating and adjustment equipment is used or procedures other than those specified here are carried out, this may result in hazardous radiation exposure.
- Never aim the laser beam at reflective surfaces, people or animals. Even brief visual contact with a laser beam can result in eye injuries.

Original accessories/additional equipment

- **Only use the accessories and additional equipment that are specified in the operating instructions and are compatible with the appliance.**

Information on saw blades

The Parkside basic equipment includes saw blades for use with wood and metal.

- 3 saw blades for general wood cuts
- 1 saw blade for light metals up to 3 mm

NOTE

- ▶ You can also use any other saw blades provided they are fitted with a suitable mounting (single-lug shank).

Saw blade type

suitable	unsuitable

Initial operation

Fitting/changing the saw blade

Always remove the plug from the power socket before working on the appliance.

- ◆ Remove the pivoting guard **18**.
- ◆ Turn the quick-release chuck **19** and hold it in this position.
- ◆ Press the required saw blade into the quick-release chuck **19** as far as the limit stop.
- ◆ Release the quick-release chuck **19** – it must return to its initial position. The saw blade is now locked.
- **WARNING!** The saw blade teeth must point forwards at this point (see foldout page)!
- ◆ Replace the pivoting guard **18** back onto the device.

Fitting the guide fence

The guide fence **13** can be fixed on the left or right of the appliance.

- ◆ Undo both the clamping screws on the insertion openings **16**.
- ◆ Push the guide fence **13** into the insertion openings **16**.
- ◆ Retighten the two clamping screws.

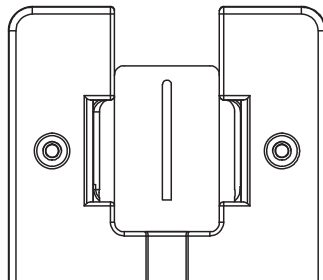
Connecting the sawdust extraction appliance

- ◆ Push the reducer **6** into the extraction connector **7** until it is secured.
- ◆ Attach an approved dust and sawdust extractor to the reducer **6** or extraction connector **7** directly.

Fitting the splinter guard

The splinter guard **20** can prevent the tearing up of the surface when sawing wood. The splinter guard **20** can only be used with certain sawblade types and only at a cutting angle of 0°.

- ◆ Press the splinter guard **20** into the sliding shoe **9** from below (arrow facing upwards).



Operation

Setting the cutting angle

- ◆ Push the clamping lever **4** forward and pull the baseplate **8** to the front.
- ◆ Adjust the cutting angle to 0° / 22,5° / 45° with the aid of the markings on the baseplate **8**. Push the baseplate **8** to the rear so that the locking pin engages in the toothing **12**.
- ◆ Push the clamping lever **4** backwards.

NOTE

- ▶ With a cutting angle of 22,5° / 45°, the pivoting guard **18** must be removed beforehand! If the baseplate **8** cannot be locked well by clamping lever **4**, remove the extraction connector **7**, then tighten the clamping screw **12a** with hex key.

Setting the stroke rate

- ◆ Use the stroke rate preselection adjusting wheel **3** to set the required stroke rate.

Setting the pendulum stroke

- ◆ You can use the pendulum stroke switch **11** to set the pendulum movement of the saw blade **15**. You can achieve fine, clean cut edges without pendulum movement (setting "0"). Switch the pendulum movement off when working on thin workpieces. You can achieve an increasingly fast workrate with activated pendulum stroke (settings 1-3).

Switching on/off

Switching the appliance on:

Slide the ON/OFF switch **2** forward to the position "I".

Switching the appliance off:

Slide the ON/OFF switch **2** backward to the position "0".

Switching the laser/working light on/off


On/off switch:

Press the ON/OFF switch **21** until the required function is active.

LASER and WORKING LIGHT → WORKING LIGHT → LASER → SWITCH OFF

Sawdust blowing function

Switching the sawdust blowing function on:

- ◆ Slide the sawdust blower function switch **10** in the position .

Supporting the extraction function:

- ◆ Slide the sawdust blower function switch **10** in the position "0".

Maintenance and Cleaning



WARNING! RISK OF INJURY!

Switch the appliance off and remove the power plug before starting any work.

- The appliance must always be clean, dry and free from oil or grease.
- To clean the casing, use a soft dry cloth.

WARNING!

- To avoid potential risks, damaged mains cables should be replaced by the manufacturer, their customer service department or a similarly qualified person.
- Replace the saw blade **15** as soon as its teeth are blunt and proper sawing is therefore no longer possible.
- Clean the appliance after completing your sawing work.
- Remove any dirt (e.g. sawdust). If necessary, clean the saw blade mounting with a brush or blow it out with compressed air.

Kompernass Handels GmbH

warranty

Dear Customer,

This appliance has a 3-year warranty valid from the date of purchase. If this product has any faults, you, the buyer, have certain statutory rights. Your statutory rights are not restricted in any way by the warranty described below.

Warranty conditions

The validity period of the warranty starts from the date of purchase. Please keep your original receipt in a safe place. This document will be required as proof of purchase.

If any material or production fault occurs within three years of the date of purchase of the product, we will either repair or replace the product for you at our discretion. This warranty service is dependent on you presenting the defective appliance and the proof of purchase (receipt) and a short written description of the fault and its time of occurrence.

If the defect is covered by the warranty, your product will either be repaired or replaced by us. The repair or replacement of a product does not signify the beginning of a new warranty period.

Warranty period and statutory claims for defects

The warranty period is not prolonged by repairs effected under the warranty. This also applies to replaced and repaired components. Any damage and defects present at the time of purchase must be reported immediately after unpacking. Repairs carried out after expiry of the warranty period shall be subject to a fee.

Scope of the warranty

This appliance has been manufactured in accordance with strict quality guidelines and inspected meticulously prior to delivery.

The warranty covers material faults or production faults. The warranty does not extend to product parts subject to normal wear and tear or fragile parts such as switches, batteries, baking moulds or parts made of glass.

The warranty does not apply if the product has been damaged, improperly used or improperly maintained. The directions in the operating instructions for the product regarding proper use of the product are to be strictly followed. Uses and actions that are discouraged in the operating instructions or which are warned against must be avoided.

This product is intended solely for private use and not for commercial purposes. The warranty shall be deemed void in cases of misuse or improper handling, use of force and modifications/repairs which have not been carried out by one of our authorised Service centres.

Warranty claim procedure

To ensure quick processing of your case, please observe the following instructions:

- Please have the till receipt and the item number (e.g. IAN 12345) available as proof of purchase.
- You will find the item number on the type plate, an engraving on the front page of the instructions (bottom left), or as a sticker on the rear or bottom of the appliance.
- If functional or other defects occur, please contact the service department listed either by **telephone** or by **e-mail**.
- You can return a defective product to us free of charge to the service address that will be provided to you. Ensure that you enclose the proof of purchase (till receipt) and information about what the defect is and when it occurred.



You can download these instructions along with many other manuals, product videos and software on www.lidl-service.com.

Service

GB Service Great Britain

Tel.: 0871 5000 720 (£ 0.10/Min.)

E-Mail: kompernass@lidl.co.uk

CY Service Cyprus

Tel.: 8009 4409

E-Mail: kompernass@lidl.com.cy

IAN 282403

Importer

Please note that the following address is not the service address. Please use the service address provided in the operating instructions.

KOMPERNASS HANDELS GMBH

BURGSTRASSE 21

DE-44867 BOCHUM

GERMANY

www.kompernass.com

Disposal



The packaging is made from environmentally friendly material and can be disposed of at your local recycling plant.



Do not dispose of electric tools in your normal domestic waste!

As required by European Directive 2012/19/EU, worn-out electric tools must be collected separately and fed into an environmentally compatible recycling process.

Your local communal or municipal authorities can provide information on how to dispose of the worn-out appliance.

Translation of the original Conformity Declaration

We, KOMPERNASS HANDELS GMBH, Custodian of Documents: Mr. Semi Uguzlu, BURGSTR. 21, DE - 44867 BOCHUM, GERMANY, hereby declare that this product complies with the following standards, normative documents and the EC directives:

**Machinery Directive
(2006 / 42 / EC)**

**EMC (Electromagnetic Compatibility)
(2014 / 30 / EU)**

**RoHS Directive
(2011 / 65 / EU)***

*The manufacturer bears the full responsibility for compliance with this conformity declaration. The object of the declaration described above complies with the requirements of the Directive 2011/65/EU of the European Parliament and Council of 8 June 2011 on the limitations of use of certain dangerous substances in electrical and electronic appliances.

Applied harmonised standards:

EN 60745-1:2009 / A11: 2010

EN 60745-2-11: 2010

EN 55014-1:2006 / A2: 2011

EN 55014-2:2015

EN 61000-3-2: 2014

EN 61000-3-3: 2013

Type designation of machine:

Jigsaw PSTK 800 B2

Year of manufacture: 12-2016

Serial number: IAN 282403

Bochum, 14/12/2016



Semi Uguzlu

- Quality Manager -

Subject to technical changes in the course of further developments.

Sadržaj

Uvod	12
Namjenska uporaba	12
Oprema	12
Opseg isporuke	12
Tehnički podaci	12
Opće sigurnosne napomene za uporabu električnog alata	13
1. Sigurnost radnog mjesta	13
2. Električna sigurnost	13
3. Sigurnost osoba	14
4. Korištenje i rukovanje električnim alatom	14
5. Servis	15
Sigurnosne napomene specifične za ubodne pile	15
Originalni pribor/dodatni uređaji	15
Informacije o listovima pile	16
Puštanje u pogon	16
Montiranje/zamjena reznog lista	16
Montiranje paralelnog graničnika	16
Priključivanje usisivača za piljevinu	16
Montaža zaštite od kidanja ivera	16
Rukovanje	17
Podешavanje kuta reza	17
Podешavanje broja uboda	17
Podешavanje progresivnog hoda	17
Uključivanje/isključivanje	17
Uključivanje/isključivanje lasera/radnog svjetla	17
Funkcija ispuhivanja piljevine	17
Održavanje i čišćenje	17
Jamstvo tvrtke Kompernass Handels GmbH	18
Servis	19
Uvoznik	19
Zbrinjavanje	19
Prijevod originalne izjave o sukladnosti	19

NJIŠUĆA UBODNA PILA PSTK 800 B2

Uvod



Čestitamo na kupnji Vašeg novog uređaja. Time ste se odlučili za vrlo kvalitetan proizvod. Upute za rukovanje sastavni su dio ovog proizvoda. One sadrže važne napomene za sigurnost, rukovanje i zbrinjavanje. Prije uporabe uređaja upoznajte se sa svim pripadajućim uputama za uporabu i svim sigurnosnim napomenama. Proizvod koristite isključivo na opisani način i u navedenim područjima uporabe. U slučaju predaje proizvoda trećim osobama, priložite i predajte svu njegovu dokumentaciju.

Namjenska uporaba

Uređaj je prikladan za ravne rezove i rezanje krivulja kao i za rezove pod kutom do 45° na uglastim izratcima od plastike, drveta i laganih metala. Uređaj je namijenjen isključivo za privatnu uporabu u suhim prostorima. Pridržavajte se uputa o tipu reznih listova. Svaki drugi način uporabe i svaka izmjena uređaja smatra se nenamjenskom i krije znatnu opasnost od nezgode. Proizvođač ne preuzima odgovornost od štete nastale uslijed korištenja uređaja protivno njegovoj namjeni.

Oprema

- 1 Okrugla ručka
- 2 Prekidač UKLJ/ISKLJ
- 3 Kotačić za odabir broja uboda
- 4 Zatezna poluga
- 5 Mrežni kabel
- 6 Redukcijski nastavak
- 7 Usisni nastavak
- 8 Donja ploča
- 9 Klizna papučica
- 10 Prekidač uređaja za ispuhivanje piljevine
- 11 Prekidač progresivnog hoda
- 12 Nazubljenje
- 12a Stezni vijak
- 13 Paralelni graničnik
- 14 Valjak vodilice
- 15 Rezni list
- 16 Otvori za umetanje (svaki s vijkom za zatezanje)

- 17 Zaštitni luk
- 18 Zaštitna kupola
- 19 Čeljust za brzo zatezanje
- 20 Rasipanju
- 21 Prekidač UKLJ/ISKLJ laser/radno svjetlo

Opseg isporuke

- 1 Njišuća ubodna pila
- 1 Paralelni graničnik
- 1 Reduktor
- 1 Upute za uporabu
- 3 Rezna lista za obradu drveta
- 1 Rezni list za obradu metala

Tehnički podaci

Njišuća ubodna pila: Parkside PSTK 800 B2

Nazivni napon:	230 V ~ 50 Hz (izmjenična struja)
Nazivna snaga:	800 W
Broj uboda u praznom hodu:	n_0 : 0 - 3 100 min ⁻¹
Dubina reza:	drvo/metal: 80/8 mm
Progresivni hod:	3 stupnja i precizno podešavanje reza
Kosi rezovi:	0° / 22,5° / 45° lijevo/ desno
Klasa zaštite:	II/III (dvostruko oklopljen)

Informacije o buci i vibracijama:

Vrijednost buke izmjerena sukladno normi EN 60745. A - standardna razina emisije buke električnog alata:

Vrijednost emisije buke:

Razina zvučnog tlaka:	$L_{pA} = 90$ dB(A)
Odstupanje K:	$K_{pA} = 3$ dB
Razina jačine zvuka:	$L_{wA} = 101$ dB(A)
Odstupanje K:	$K_{wA} = 3$ dB

Nosite zaštitu za uši!

Vrijednosti ukupnih vibracija (zbroy vektora triju smjerova) izračunat u skladu s normom EN 60745:

Ukupna vrijednost vibracija:

Piljenje ploča od iverice $a_{h,B}$	$= 10,2$ m/s ²
Odstupanje K	$= 1,5$ m/s ²
Piljenje metalnog lima $a_{h,M}$	$= 11,9$ m/s ²
Odstupanje K	$= 1,5$ m/s ²

⚠ UPOZORENJE!

- ▶ Razina vibracija navedena u ovim uputama izmjerena je u skladu s normom EN 60745 za proceduru mjerenja i može se koristiti za uspoređivanje uređaja. Navedena razina emisije vibracija može se koristiti i za uvodnu procjenu izloženosti. Razina vibracija mijenja se ovisno o uporabi električnog alata i u mnogim slučajevima može biti iznad vrijednosti navedene u ovim uputama. Vibracijsko opterećenje može se i potcijeniti ako se električni alat redovito koristi na takav način.

NAPOMENA

- ▶ Nastojte održavati što manje opterećenje vibracijama. Primjerne mjere za smanjenje opterećenja vibracijama su nošenje rukavica prilikom uporabe uređaja i ograničenje radnog vremena. Pritom morate uzeti u obzir sve sastavne dijelove ciklusa pogona (primjerice razdoblja u kojima je električni uređaj isključen, kao i razdoblja u kojima je uređaj uključen ali radi bez opterećenja).



Opće sigurnosne napomene za uporabu električnog alata

⚠ UPOZORENJE!

- ▶ Pročitajte sve sigurnosne napomene i napomene za uporabu. Nepridržavanje sigurnosnih napomena i uputa može uzrokovati strujni udar, požar i/ili dovesti do teških ozljeda.

Sačuvajte sve sigurnosne napomene i upute za buduću uporabu.

Pojam „električni alat“ koji se koristi u sigurnosnim napomenama odnosi se na električni alat s mrežnim napajanjem (s mrežnim kabelom) i na električni alat s pogonom na baterije (bez mrežnog kabela).

1. Sigurnost radnog mjesta

- Vaše radno mjesto držite čistim i dobro osvijetljenim. Neuredno i neosvijetljeno radno područje može uzrokovati nezgode.
- Električni alat ne koristite u eksplozivnom okruženju u kojem se nalaze zapaljive tekućine, plinovi ili prašina. Električni uređaji stvaraju iskre koje mogu zapaliti prašinu ili pare.
- Djecu i druge osobe držite podalje tijekom korištenja električnog alata. U slučaju odvlačenja pažnje možete izgubiti kontrolu nad uređajem.

2. Električna sigurnost

- Utikač električnog alata mora pristajati u utičnicu. Utikač se ni na koji način ne smije mijenjati. Ne koristite adapterske utikače s uzemljenim električnim alatom. Neizmijenjeni utikači i odgovarajuće utičnice umanjuju rizik od strujnog udara.
- Izbjegavajte tjelesni kontakt s uzemljenim površinama kao što su cijevi, sustavi grijanja, štednjaci ili hladnjaci. Rizik od strujnog udara veći je kada je vaše tijelo uzemljeno.
- Električni alat zaštitite od kiše i vlage. Prodiranje vode u električni uređaj povećava rizik od strujnog udara.
- Ne koristite kabel za druge namjene, primjerice za nošenje uređaja, vješanje uređaja ili izvlačenje utikača iz utičnice. Kabel uređaja držite podalje od izvora topline, ulja, oštih bridova i pokretnih dijelova uređaja. Oštećeni ili zapetljani kabeli povećavaju rizik od strujnog udara.
- Ako električni alat koristite na otvorenom, koristite samo produžne kabele koji su odobreni za uporabu na otvorenom. Uporaba takve vrste produžnog kabela prikladnog za uporabu na otvorenom umanjuje rizik od strujnog udara.
- Ako nije moguće izbjeći uporabu električnog alata u vlažnom okruženju, koristite fido sklopku. Korištenje fido sklopke smanjuje rizik od strujnog udara.

3. Sigurnost osoba

- a) Uvijek budite pažljivi i pazite na ono što radite, i električnim alatom rukujte razumno. Električni alat ne koristite ako ste umorni ili pod utjecajem droga, alkohola ili lijekova. Samo jedan trenutak nepažnje za vrijeme uporabe električnog alata može dovesti do ozbiljnih ozljeda.
- b) Nosite osobnu zaštitnu opremu i uvijek nosite zaštitne naočale. Nošenje osobne zaštitne opreme kao što je maska protiv prašine, nošenje sigurnosnih cipela s potplatima koji ne klize, zaštitnih rukavica, zaštitne kacige ili zaštite za sluh – ovisno o vrsti i namjeni električnog alata – umanjuje rizik od ozljeda.
- c) Izbjegavajte nehotično uključivanje uređaja. Uvjerite se da je električni alat isključen prije nego ga priključite na napajanje i/ili bateriju, uhvatite ili nosite. Ako prilikom nošenja uređaja prst držite na prekidaču UKLJ/ISKLJ ili uključeni uređaj uključite u struju, može doći do nezgode.
- d) Alat za podešavanje ili ključeve za matice uklonite prije uključivanja električnog alata. Alat ili ključ koji se nalazi u rotirajućem dijelu uređaja mogu dovesti do ozljeda.
- e) Izbjegavajte neprirodan položaj tijela. Pobrižite se da čvrsto stojite i održavajte ravnotežu u svakom trenutku. Na taj ćete način moći bolje kontrolirati električni alat u neočekivanim situacijama.
- f) Nosite prikladnu odjeću. Ne nosite široku odjeću ili nakit. Kosu, odjeću i rukavice držite podalje od pokretnih dijelova. Pokretni dijelovi mogu zahvatiti ležernu, široku odjeću, nakit ili kosu.
- g) Ako je moguće montirati usisivač i sustav za prihvat piljevine, uvjerite se da su priključeni i da se ispravno koriste. Uporaba usisivača može smanjiti ugroženost prašinom.

4. Korištenje i rukovanje električnim alatom

- a) Ne preopterećujte uređaj. Koristite električni alat prikladan za vrstu posla koji obavljate. Prikladnim električnim alatom moći ćete bolje i sigurnije raditi u navedenom području.
- b) Ne koristite električne alate s oštećenim prekidačima. Električni alat koji ne možete uključiti i isključiti opasan je i treba ga popraviti.
- c) Izvucite utikač iz utičnice i/ili odstranite bateriju prije nego što započnete podešavati uređaj, mijenjati pribor ili odložite uređaj. Ova mjera predostrožnosti onemogućuje nehotično uključivanje uređaja.
- d) Električni alat koji se ne koristi čuvajte izvan dohvata djece. Osobama koje nisu upoznate s načinom rada uređaja ili nisu pročitale upute nemojte dozvoliti da koriste uređaj. Električni alat je opasan ako njime rukuju osobe bez iskustva.
- e) Pažljivo održavajte električni alat. Provjerite funkcioniraju li svi pokretni dijelovi uređaja besprijekorno i da možda nisu zaglavljani, provjerite da dijelovi uređaja eventualno nisu odlomljeni ili da dijelovi nisu do te mjere oštećeni, da ometaju funkcionalnost električnog alata. Prije uporabe uređaja oštećene dijelove dajte popraviti. Uzrok brojnih nezgoda su loše održavani električni alati.
- f) Sav alat za rezanje održavajte oštrim i čistim. Pažljivo održavani alat za rezanje s oštrim oštrocima rjeđe se zaglavљуje i lakše se navodi.
- g) Električni alat, pribor i drugi alat koristite prema odgovarajućim uputama. Pritom u obzir uvijek uzmite i uvjete rada, kao i vrstu posla koji treba obaviti. Uporaba električnog alata u druge svrhe osim ovdje opisanih može uzrokovati opasne situacije.

5. Servis

- a) **Popravak električnog alata prepustite isključivo kvalificiranim stručnjacima i koristite samo originalne zamjenske dijelove.** Na taj način osiguravate trajnu sigurnost električnog alata.

Sigurnosne napomene specifične za ubodne pile

- **Prilikom izvođenja radova prilikom kojih alat može zahvatiti skrivene naponske vodove ili vlastiti mrežni kabel, električni alat držite samo za izoliranu površinu namijenjenu za pridržavanje.** Kontakt s vodom pod naponom može pod napon dovesti i metalne dijelove uređaja te uzrokovati strujni udar.
- Ruke držite podalje od zone piljenja. Nikada ne stavljajte ruke ispod izratka. U slučaju kontakta s reznim listom, postoji opasnost od ozljeda.
- **Ruke držite podalje od radilice i od čeljusti za brzo zatezanje.** U slučaju kontakta s dijelovima uređaja postoji opasnost od prignječenja.
- Električni alat mora biti uključen prilikom uvođenja reznog lista u izradak. U protivnom postoji opasnost od povratnog udara.
- Pazite da donja ploča **8** naliježe prilikom piljenja.
- Nakon završetka radnog koraka isključite električni alat i rezni list **15** izvucite iz izratka tek nakon što se potpuno zaustavi. Na taj ćete način izbjeći povratni udar i moći ćete sigurno odložiti električni alat.
- Upotrebljavajte isključivo oštre i besprijeorne rezne listove. Savijeni ili tupi rezni listovi mogu puknuti ili uzrokovati povratni udar.
- Ne kočite rezni list **15** nakon isključivanja pritiskanjem u stranu. Rezni list **15** se može oštetiti, puknuti, ili uzrokovati povratni udar.
- Osigurajte izradak. Koristite uređaje za stezanje/škripac kako biste učvrstili izradak. Na taj način on će imati čvršći oslonac nego u ruci.
- Mrežni kabel uvijek postavite prema nazad iza uređaja.
- Ne obrađujte navlažene materijale ili vlažne površine.

- **Opasnost od prašine!** U slučaju dugotrajnije obrade drveta, a posebice kada obrađujete materijale čijom obradom nastaje štetna prašina, uređaj priključite na prikladan sustav za usisavanje prašine.

- Nosite masku za zaštitu od prašine!
- Pobrinite se za dostatno prozračivanje.



UPOZORENJE! Zaštite se od laserskog zračenja:



P max.: < 1 mW • λ: 650 nm • EN 60825-1:2014

- Nikada ne gledajte neposredno u lasersku zraku, odnosno u izlazni otvor lasera.



UPOZORENJE!

- ▶ Promatranje izlaza laserske zrake pomoću optičkih instrumenata (npr. lupe, povećala, i sl.) može uzrokovati ozljede oka.
- ▶ Oprez! Ako koristite druge uređaje za rukovanje ili namještanje koji nisu navedeni ili izvodite druge postupke, to može dovesti do opasnog zračenja.

- Lasersku zraku nikada ne usmjeravajte na reflektirajuće površine, osobe ili životinje. Čak i kratak kontakt oka s laserskom zrakom može dovesti do oštećenja očiju.

Originalni pribor/dodatni uređaji

- **Koristite samo pribor i dodatne uređaje navedene u uputama za uporabu, odnosno čiji su nastavci kompatibilni s uređajem.**



OPREZ



UPOZORENJE: Mogućnost strujnog udara !
Ne otvarati kućište proizvoda !

Informacije o listovima pile

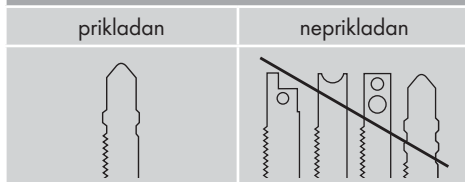
Osnovna Parkside oprema već sadrži rezne listove za obradu drveta i metala.

- 3 rezna lista za uobičajenu obradu drveta
- 1 rezni list za lagane metale do 3 mm debljine

NAPOMENA

- ▶ Možete koristiti bilo koji drugi rezni list, pod uvjetom da ima odgovarajući univerzalni prihvatnik (utor s jednim grebenom).

Tip reznog lista



Puštanje u pogon

Montiranje/zamjena reznog lista

Prije bilo kakvih radova izvucite utikač iz mrežne utičnice.

- ◆ Uklonite zaštitnu kupolu **18**.
- ◆ Okrenite čeljust za brzo zatezanje **19** i držite okrenutom.
- ◆ Željeni rezni list umetnite u čeljust za brzo zatezanje **19** do graničnika.
- ◆ Pustite čeljust za brzo zatezanje **19** koja se nakon toga mora vratiti u izvorni položaj. Rezni list je sada zaključan.
- **POZOR!** Zubi reznog lista pritom moraju pokazivati prema naprijed (vidi isklopnu stranicu)!
- ◆ Zaštitnu kupolu **18** ponovo postavite na uređaj.

Montiranje paralelnog graničnika

Paralelni graničnik **13** može se na uređaj pričvrstiti lijevo ili desno.

- ◆ Otpustite oba stezna vijka otvora za umetanje **16**.
- ◆ Gurnite paralelni graničnik **13** u otvore za umetanje **16**.
- ◆ Ponovno zategnite oba stezna vijka.

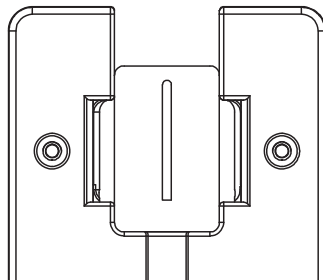
Priključivanje usisivača za piljevinu

- ◆ Utaknite nastavak za redukciju **6** u usisni nastavak **7** sve dok čvrsto ne sjedne.
- ◆ Na nastavak za redukciju **6** priključite dozvoljeni uređaj za usisavanje prašine i piljevine ili izravno na usisavanje **7**.

Montaža zaštite od kidanja ivera

Zaštita od kidanja ivera **20** može spriječiti kidanje površine prilikom piljenja drveta. Zaštita od kidanja ivera **20** može se koristiti samo za određene tipove lista pile i samo kada je kut rezanja 0°.

- ◆ Zaštitu od kidanja ivera **20** s donje strane pritisnite u donju ploču **9** (ispupčenje prema gore).



Rukovanje

Podšavanje kuta reza

- ◆ Gurnite zateznu polugu **4** prema naprijed i povucite donju ploču **8** prema natrag.
- ◆ Podesite kut reza $0^\circ / 22,5^\circ / 45^\circ$ pomoću oznaka na donjoj ploči **8**. Donju ploču **8** gurnite prema naprijed kako bi poluga za zaključavanje ulegla u nazubljenje **12**.
- ◆ Gurnite zateznu polugu **4** prema nazad.

NAPOMENA

- ▶ Kod kuta rezanja od $22,5^\circ / 45^\circ$ zaštitna kupola **13** mora prethodno biti uklonjena! Ako je osnovna ploča **8** ne mogu zaključati i pomoću stezanja ručice **4**, izvadite ekstrakciju konektor **7**, a zatimategnite stezni vijak **12a** sa hex ključ.

Podšavanje broja uboda

- ◆ Pomoću kotačića za odabir broja uboda **3** podesite željeni broj uboda.

Podšavanje progresivnog hoda

- ◆ Pomoću prekidača progresivnog hoda **11** moguće je podesiti kretanje reznog lista **15**. Bez progresivnog hoda (položaj „0”) postići ćete precizne i čiste rezne rubove. Kod tankih izradaka isključite progresivni hod. Pomoću uključenog progresivnog hoda (položaj 1 - 3) postići ćete progresivno brži napredak prilikom rezanja.

Uključivanje/isključivanje

Uključivanje uređaja:

Prekidač UKLJ/ISKLJ **2** gurnite u položaj „1”.

Isključivanje uređaja:

Prekidač UKLJ/ISKLJ **2** gurnite u položaj „0”.

Uključivanje/isključivanje lasera/ radnog svjetla


Prekidač Uklj/Isklj:

Pritisnite prekidač UKLJ/ISKLJ **21** dok se ne aktivira željena funkcija.

LASER i RADNO SVJETLO → RADNO SVJETLO → LASER → ISKLJUČENO

Funkcija ispuhivanja piljevine

Uključivanje funkcije ispuhivanja piljevine:

- ◆ Prekidač uređaja za ispuhivanje piljevine **10** gurnite prema .

Podrška funkcije usisavanja:

- ◆ Gurnite prekidač uređaja za ispuhivanje piljevine **10** prema „0”.

Održavanje i čišćenje



UPOZORENJE! OPASNOST OD OZLJEDA! Prije radova na uređaju isti obavezno isključite i izvucite utikač iz utičnice.

- Uređaj mora uvijek biti čist, suh, i na njemu ne smije biti ulja niti masnoće.
- Za čišćenje kućišta koristite suhu krpu.



UPOZORENJE!

- Ako dođe do oštećenja mrežnog kabela, isti mora zamijeniti proizvođač, servis za kupce ili slična kvalificirana osoba, kako bi se izbjegle opasnosti.
- Rezni list **15** zamijenite čim zupci otupe, i više nije moguće izvođenje idealnog reza.
- Nakon izvođenja rada rezanja uređaj očistite.
- Odstranite prljavštinu (npr. piljevinu). Po potrebi čeljust za rezne listove očistite pomoću kista ili ispušite komprimiranim zrakom.

Jamstvo tvrtke Kompernass Handels GmbH

Poštovani kupci,

Za ovaj uređaj odobrava se jamstvo u trajanju od 3 godine od datuma kupnje. U slučaju nedostataka ovoga proizvoda, Vama pripadaju zakonska prava na teret prodavača proizvoda. U nastavku izloženo jamstvo ne ograničava ova zakonska prava.

Uvjeti jamstva

Jamstveni rok započinje danom kupnje. Molimo Vas da dobro sačuvate originalni račun. Ovaj dokument je potreban kao dokaz o kupnji.

Ako u roku od tri godine od dana kupnje ovog proizvoda dođe do greške u materijalu ili izradi, proizvod ćemo - prema našem izboru - besplatno popraviti ili zamijeniti. Za takvo ispunjenje jamstvene obaveze potrebno je unutar trogodišnjeg roka uređaj s nedostatkom i dokaz o kupnji (račun) predložiti i pismeno ukratko opisati u čemu se sastoji greška proizvoda i kada se pojavila.

Ako je kvar pokriven našim jamstvom, poslat ćemo Vam popravljen ili novi proizvod. Popravkom ili zamjenom proizvoda ne započinje novi jamstveni rok.

Jamstveni rok i zakonsko pravo u slučaju nedostataka

Korištenje prava na jamstvo ne produžuje jamstveni rok. To vrijedi i za zamijenjene i popravljene dijelove. Štete i nedostatke koji eventualno postoje već prilikom kupnje treba javiti neposredno nakon raspakiranja. Nakon isteka jamstvenog roka izvršeni popravci se naplaćuju.

Opseg jamstva

Uređaj je pažljivo proizveden sukladno strogim smjernicama u pogledu kvalitete i prije isporuke brižljivo provjeren.

Ovo jamstvo vrijedi za greške u materijalu i izradi. Jamstvo ne obuhvaća dijelove proizvoda koji su izloženi normalnom trošenju i stoga se mogu smatrati potrošnim dijelovima, niti oštećenja lomljivih dijelova, npr. prekidača, baterija, kalupa za pečenje ili dijelova izrađenih od stakla.

Ovo jamstvo propada ako je proizvod oštećen, i ako nije stručno korišten ili servisiran. Za stručno korištenje proizvoda potrebno je točno poštivati sve naputke navedene u uputama za uporabu.

Uporabne namjene i radnje, koje se u uputama ne preporučuju ili na koje se upozorava, obavezno se moraju izbjegavati.

Proizvod je namijenjen isključivo za privatnu, nekomercijalnu uporabu. Jamstvo prestaje vrijediti u slučaju zlorabe, nenamjenskog korištenja, primjene sile i zahvata na uređaju koje nije obavila za to ovlaštena podružnica servisa.

Realizacija u slučaju jamstvenog zahtjeva

Kako bismo zajamčili brzu obradu Vašeg zahtjeva, molimo slijedite sljedeće napomene:

- Molimo Vas da za sve upite u pripravnosti držite blagajnički račun i broj artikla (npr. IAN 12345) kao dokaz o kupnji.
- Broj artikla možete pronaći na tipskoj pločici u obliku gravure, na naslovnoj stranici Vaših uputa (dolje lijevo) ili u obliku naljepnice na stražnjoj ili donjoj strani.
- Ako dođe do smetnji u radu ili drugih nedostataka, najprije **telefonski ili preko elektronske pošte** kontaktirajte servisni odjel naveden u nastavku.
- Proizvod registriran kao neispravan onda možete zajedno s priloženim dokazom o kupnji (blagajnički račun) i s opisom nedostatka i kada se pojavio, besplatno poslati na dobivenu adresu servisa.



Na stranici www.lidl-service.com možete preuzeti ove i mnoge druge priručnike, videosnimke o proizvodu i softver.

Servis

Servis Hrvatska
 Tel.: 0800 777 999
 E-Mail: kompernass@lidl.hr
 IAN 282403

Uvoznik

Molimo obratite pozornost na to, da adresa navedena u nastavku nije adresa servisa. Najprije kontaktirajte navedenu ispostavu servisa.

Lidl Hrvatska d.o.o. k.d.,
 Ulica kneza Ljudevita Posavskog 53,
 HR-10410 Velika Gorica, Hrvatska

Proizvođač:

KOMPERNASS HANDELS GMBH
 BURGSTRASSE 21
 DE-44867 BOCHUM
 NJEMAČKA
 www.kompernass.com

Zbrinjavanje



Ambalaža se sastoji od materijala koji ne štete okolišu koji se mogu zbrinuti preko mjesnih ispostava za recikliranje.



Električne alate ne bacajte s kućnim otpadom!

U skladu s europskom direktivom 2012/19/EU stari električni alati moraju se prikupiti odvojeno i zbrinuti na ekološki prihvatljiv način.

Mogućnosti za zbrinjavanje starih uređaja možete saznati u gradskom ili općinskom poglavarstvu.

Prijevod originalne izjave o sukladnosti

Mi, tvrtka KOMPERNASS HANDELS GMBH, osoba odgovorna za dokumentaciju: g. Semi Uguzlu, BURGSTR. 21, DE - 44867 BOCHUM, NJEMAČKA, ovime izjavljujemo da ovaj proizvod zadovoljava sljedeće norme, normativne dokumente i direktive EU:

**Direktiva o strojevima
 (2006/42/EC)**

**Direktiva o elektromagnetskoj podnošljivosti
 (2014/30/EU)**

**Direktiva RoHS (direktiva o opasnim tvarima)
 (2011/65/EU)***

*Isključivu odgovornost za izdavanje ove izjave o sukladnosti nosi proizvođač. Gore opisani predmet izjave ispunjava propise direktive 2011/65/EU Europskog parlamenta i vijeća od 8. lipnja 2011. za ograničenje uporabe određenih opasnih tvari u električnim i elektronskim uređajima.

Primijenjene harmonizirane norme:

EN 60745-1:2009/A11: 2010
 EN 60745-2-11: 2010
 EN 55014-1:2006/A2: 2011
 EN 55014-2:2015
 EN 61000-3-2: 2014
 EN 61000-3-3: 2013

Oznaka tipa stroja:

Njišuća ubodna pila PSTK 800 B2

Godina proizvodnje: 12-2016

Serijski broj: IAN 282403

Bochum, 14.12.2016.

Semi Uguzlu

- Voditelj odjela kvalitete -

Zadržavam pravo na tehničke izmjene u svrhu daljnjeg razvoja proizvoda.



Cuprins

Introducere	22
Utilizarea conform destinației	22
Dotare	22
Furnitura	22
Date tehnice	22
Indicații generale de siguranță pentru sculele electrice	23
1. Siguranța zonei de lucru	23
2. Siguranța electrică	23
3. Siguranța persoanelor	24
4. Utilizarea și manevrarea sculei electrice	24
5. Service	25
Indicații de siguranță specifice pentru ferăstraiele pentru găuri	25
Accesorii / aparate auxiliare originale	25
Informații privind pânzele de ferăstrău	26
Punerea în funcțiune	26
Montarea / înlocuirea pânzei de ferăstrău	26
Montarea riglei de ghidare	26
Conectarea dispozitivului de aspirare a așchiilor	26
Mount splintering	26
Deservirea	27
Reglarea unghiului de tăiere	27
Reglarea numărului de curse	27
Reglarea cursei pendulare	27
Pornirea / oprirea	27
Pornirea și oprirea laserului / luminii de lucru	27
Funcția de suflare a așchiilor	27
Întreținerea și curățarea	27
Garanția Kompernass Handels GmbH	28
Service-ul	29
Importator	29
Eliminarea	29
Traducerea declarației de conformitate originale	30

FERĂSTRĂU PENDULAR PSTK 800 B2

Introducere



Vă felicităm pentru cumpărarea noului dvs. aparat. Ați decis să alegeți un produs de calitate superioară. Instrucțiunile de utilizare fac parte integrantă din acest produs. Acestea cuprind informații importante pentru siguranță, utilizare și eliminare. Înainte de utilizarea produsului familiarizați-vă cu toate indicațiile privind utilizarea și siguranța. Utilizați acest produs numai în modul descris și numai în scopurile menționate. În cazul transmiterii produsului unei alte persoane, predați-i toate documentele aferente acestuia.

Utilizarea conform destinației

Aparatul este adecvat pentru tăierea dreaptă, curbă și de îmbinare în colț până la 45° a pieselor cu muchii ascuțite din material plastic, lemn și metal ușor. Acest aparat este destinat exclusiv uzului privat, în spații uscate. Respectați indicațiile cu privire la tipurile de pânze de ferăstrău. Orice altă utilizare sau modificare a aparatului este considerată a fi neconformă și atrage pericole considerabile de accidentare. Producătorul nu își asumă răspunderea pentru prejudiciile rezultate în urma unei utilizări care contravine destinației.

Dotare

- 1 Mâner tip buton
- 2 Comutator PORNIT/OPRIT
- 3 Rotiță de preselecție a curselor
- 4 Pârghie de tensionare
- 5 Cablu de alimentare
- 6 Piesă de reducere
- 7 Ștuț de aspirație
- 8 Placă de bază
- 9 Patină
- 10 Comutator dispozitiv de suflare a așchiilor
- 11 Comutator pentru cursa pendulară
- 12 Dantură
- 13 Șurubul de fixare
- 14 Riglă de ghidare
- 15 Rolă de ghidare
- 16 Pânză de ferăstrău

- 16 Orificii de introducere (inclusiv șurub de fixare)
- 17 Etrier de protecție
- 18 Capac de protecție
- 19 Mandrină cu prindere rapidă
- 20 Așchiere
- 21 Comutator PORNIT/OPRIT laser/lumină de lucru

Furnitura

- 1 ferăstrău pendular cu ștuțuri de aspirație
- 1 riglă de ghidare
- 1 reductor
- 1 exemplar instrucțiuni de utilizare
- 3 pânze de ferăstrău pentru prelucrarea lemnului
- 1 pânză de ferăstrău pentru prelucrarea metalului

Date tehnice

Ferăstrău pendular: Parkside PSTK 800 B2

- Tensiune nominală: 230 V ~ 50 Hz
(curent alternativ)
- Consum nominal: 800 W
- Curse fără sarcină: n_0 : 0 - 3100 min⁻¹
- Adâncime de tăiere: lemn / metal: 80/8 mm
- Cursă pendulară: 3 trepte și reglaj pentru tăiere fină
- Tăiere oblică: 0° / 22,5° / 45° stânga / dreapta
- Clasa de protecție: II / (dublu ecranat)

Informații privind zgomotele și vibrațiile:

Valoarea măsurată pentru zgomot determinată conform EN 60745. Nivelul de zgomot evaluat A al sculei electrice este în mod tipic de:

Valoarea de emisie a zgomotului:

- Nivelul presiunii acustice: $L_{pA} = 90$ dB(A)
- Incertitudine K: $K_{pA} = 3$ dB
- Nivelul puterii acustice: $L_{wA} = 101$ dB(A)
- Incertitudine K: $K_{wA} = 3$ dB

Purtați echipament de protecție ureche!

Valori totale vibrații (suma vectorială a trei direcții) determinate conform EN 60745:

Valoarea totală a vibrațiilor:

- Tăierea plăcilor aglomerate $a_{h,B} = 10,2$ m/s²
- Incertitudine K = 1,5 m/s²
- Tăierea tablei metalice $a_{h,M} = 11,9$ m/s²
- Incertitudine K = 1,5 m/s²

AVERTIZARE!

- ▶ Nivelul vibrațiilor indicat în aceste instrucțiuni a fost măsurat conform unei proceduri standardizate de măsurare specificată în EN 60745 și poate fi utilizat pentru compararea aparatelor. Valoarea indicată a vibrațiilor emise poate fi utilizată și pentru o evaluare introductivă a expunerii. Nivelul vibrațiilor se va modifica în funcție de utilizarea sculei electrice, iar în anumite cazuri se poate afla peste valoarea indicată în aceste instrucțiuni. Expunerea la vibrații ar putea fi subapreciată dacă scula electrică este utilizată regulat într-un asemenea mod.

INDICAȚIE

- ▶ Încercați să mențineți sarcina prin vibrații la un nivel cât mai redus. Măsurile ilustrative pentru reducerea expunerii la vibrații sunt purtarea mănușilor în timpul utilizării sculei și limitarea timpului de lucru. În acest scop, trebuie luate în considerare toate componentele ciclului de funcționare (de exemplu perioadele în care scula electrică a fost oprită și perioadele în care, deși a fost pornită, a funcționat fără sarcină).



Indicații generale de siguranță pentru sculele electrice

AVERTIZARE!

- ▶ Citiți toate indicațiile de siguranță și instrucțiunile. Nerespectarea indicațiilor de siguranță și a instrucțiunilor poate cauza electrocutare, incendiu și/sau răni grave.

Păstrați toate indicațiile de siguranță și instrucțiunile pentru consultarea ulterioară.

Noțiunea de „sculă electrică” utilizată în indicațiile de siguranță se referă la sculele electrice alimentate de la rețea (cu cablu de alimentare) și la sculele electrice cu acumulatori (fără cablu de alimentare).

1. Siguranța zonei de lucru

- Păstrați zona de lucru curată și bine iluminată.** Dezordinea și zonele de lucru iluminate necorespunzător pot conduce la accidentări.
- Nu lucrați cu scula electrică în zone cu potențial exploziv în care se găsesc lichide, gaze sau pulberi inflamabile.** Sculele electrice produc scânteii care pot aprinde pulberea sau vaporii.
- În timpul utilizării sculei electrice țineți la distanță copiii și alte persoane.** Dacă sunteți distras, puteți pierde controlul asupra aparatului.

2. Siguranța electrică

- Fișa de racord a sculei electrice trebuie să se potrivească în priză. Ștecărul nu trebuie modificat în niciun fel.**
Nu folosiți niciun fel de adaptoare împreună cu sculele electrice legate la pământ. Ștecărele nemodificate și prizele adecvate reduc riscul de electrocutare.
- Evitați contactul corporal cu suprafețele împământate cum sunt cele ale conductelor, caloriferelor, aragazelor și frigiderelor.** În cazul în care contactul există, riscul de electrocutare este crescut.
- Nu expuneți sculele electrice ploii sau umezelii.** Pătrunderea apei într-un aparat electric crește riscul de electrocutare.
- Nu utilizați cablul într-un scop pentru care nu a fost destinat, de exemplu pentru a transporta sau pentru a agăța scula electrică sau pentru a scoate ștecărul din priză. Feriți cablul de temperaturi ridicate, ulei, muchii ascuțite sau de piese ale aparatului aflate în mișcare.** Cablurile deteriorate sau încurcate cresc riscul de electrocutare.
- Atunci când lucrați cu o sculă electrică în aer liber, utilizați numai cabluri prelungitoare care sunt admise pentru uzul în exterior.** Utilizarea unui cablu prelungitor adecvat pentru uzul în exterior reduce riscul de electrocutare.

- f) Dacă utilizarea sculei electrice într-un mediu umed este inevitabilă, utilizați un întrerupător de protecție contra curenților vagabonzi. Utilizarea unui întrerupător de protecție contra curenților vagabonzi reduce riscul de electrocutare.

3. Siguranța persoanelor

- a) Fiți mereu precaut, fiți atent la ceea ce faceți și acționați în mod rațional atunci când lucrați cu o sculă electrică. Nu utilizați sculele electrice dacă sunteți obosit sau dacă vă aflați sub influența drogurilor, alcoolului sau a medicamentelor. Un moment de neatenție în timpul utilizării sculei electrice poate duce la răni grave.
- b) Purtați echipament individual de protecție și întotdeauna ochelari de protecție. Purtarea de echipament individual de protecție precum mască antipraf, încălțăminte de protecție antiderapantă, cască de protecție sau echipament de protecție a auzului, în funcție de tipul și utilizarea sculei electrice, reduce riscul de rănire.
- c) Evitați punerea în funcțiune neintenționată. Asigurați-vă că scula electrică este oprită înainte de a o conecta la alimentarea cu curent și/sau la acumulator, de a o lua în mână sau de a o transporta. Transportul sculei electrice cu degetul pe comutator sau conectarea aparatului deja pornit la alimentarea cu curent poate provoca accidentări.
- d) Îndepărtați sculele de reglare sau șurubelnițele înainte de a porni scula electrică. O sculă sau o cheie care se află într-o piesă rotativă a aparatului poate provoca răni.
- e) Evitați pozițiile anormale ale corpului. Asigurați o poziție fixă și păstrați-vă echilibrul în orice moment. Astfel puteți controla mai bine scula electrică în situații neașteptate.
- f) Purtați îmbrăcăminte adecvată. Nu purtați îmbrăcăminte largă sau bijuterii. Feriți părul, îmbrăcăminte și mânușile de componentele mobile. Îmbrăcăminte largă, bijuteriile sau părul lung pot fi agățate de componentele mobile.
- g) Dacă pot fi montate dispozitive de aspirare și de captare a prafului, asigurați-vă că acestea sunt conectate și că sunt utilizate corect. Utilizarea unui dispozitiv de aspirare a prafului poate reduce pericolurile provocate de praf.

4. Utilizarea și manevrarea sculei electrice

- a) Nu suprasolicitați aparatul. Utilizați pentru lucrarea dvs. scula electrică destinată respectivei lucrări. Cu scula electrică adecvată lucrați mai bine și mai sigur în domeniul de putere specificat.
- b) Nu utilizați scule electrice al căror comutator este defect. O sculă electrică a cărei pornire sau oprire nu mai este posibilă, este periculoasă și trebuie reparată.
- c) Scoateți ștecărul din priză și/sau îndepărtați acumulatorul înainte de a efectua reglaje la aparat, de a schimba accesoriile sau de a pune aparatul deoparte. Această măsură de precauție împiedică pornirea neintenționată a sculei electrice.
- d) Păstrați sculele electrice neutilizate în locuri inaccesibile copiilor. Nu permiteți ca aparatul să fie utilizat de persoane care nu sunt familiarizate cu aparatul sau care nu au citit aceste instrucțiuni. Sculele electrice sunt periculoase dacă sunt utilizate de persoane fără experiență.
- e) Îngrijiiți cu atenție sculele electrice. Verificați dacă componentele mobile funcționează ireproșabil și dacă nu se blochează, dacă există componente rupte sau deteriorate în așa fel încât să fie afectată funcționarea sculei electrice. Înainte de utilizarea aparatului solicitați repararea componentelor deteriorate. Multe dintre accidente sunt provocate de întreținerea necorespunzătoare a sculelor electrice.
- f) Mențineți sculele de tăiere ascuțite și curate. Sculele de tăiere îngrijite cu atenție, cu muchii de tăiere ascuțite se blochează mai rar și sunt mai ușor de controlat.

- g) **Utilizați sculele electrice, accesoriile, capetele atașabile etc. conform acestor instrucțiuni. În același timp aveți în vedere condițiile de muncă și activitatea pe care trebuie să o executați.** Utilizarea sculelor electrice pentru alte aplicații decât cele prevăzute poate duce la situații periculoase.

5. Service

- a) **Solicitați repararea sculei dvs. electrice numai de către personal calificat și numai cu piese de schimb originale.** Astfel se asigură menținerea siguranței sculei electrice.

Indicații de siguranță specifice pentru ferăstraiele pentru găuri

- **Țineți scula electrică de suprafețele izolate de prindere atunci când executați lucrări în cadrul cărora scula electrică poate intra în contact cu cabluri electrice ascunse sau cu propriul cablu de alimentare.** Contactul cu un cablu conducător de tensiune poate pune sub tensiune și componentele metalice ale aparatului, putând provoca electrocutarea.
- Nu apropiați mâinile de zona de tăiere. Nu introduceți mâinile sub piesa de prelucrat. Pericol de rănire la contactul cu pânza de ferăstrău.
- **Nu apropiați mâinile de tija percutoare și mandrina cu prindere rapidă.** Pericol de strivire la contactul cu componentele.
- Conectați scula electrică întotdeauna înaintea utilizării pe piesa de prelucrat. În caz contrar există pericol de recul.
- La tăiere asigurați-vă că placa de bază **8** se află în contact cu piesa.
- Oprii scula electrică după încheierea procesului de lucru și scoateți pânza de ferăstrău **15** din tăietură numai după oprirea acesteia. În acest mod se evită reculul, iar scula electrică poate fi așezată în siguranță.
- Utilizați numai pânze de ferăstrău nedeteriorate și în stare perfectă. Pânzele de ferăstrău curbate și tocite se pot rupe sau pot provoca recul.
- Nu încetiniți pânza de ferăstrău **15** după oprirea acesteia prin exercitarea unei presiuni laterale. Pânza de ferăstrău **15** se poate deteriora, rupe sau poate provoca recul.

- Asigurați piesa de prelucrat. Utilizați dispozitive de prindere/menghină pentru a fixa piesa de prelucrat. În acest mod piesa este mai bine fixată decât cu mâna.
- Dirijați cablul de alimentare întotdeauna în spațiile aparatului.
- Nu prelucrați materiale umezite sau suprafețe umede.
- **Pericol din cauza prafului!** În cazul prelucrării pe o durată mai îndelungată a lemnului și în special a materialelor generatoare de pulberi periculoase pentru sănătate, aparatul se va conecta la un dispozitiv adecvat de aspirare a prafului.
- Purtați o mască de protecție împotriva prafului!
- Asigurați o aerisire suficientă.



AVERTIZARE! Protejați-vă de radiația laser:



P max.: < 1 mW • λ: 650 nm • EN 60825-1:2014

- Nu priviți direct în raza laser sau în orificiul din care este generată aceasta.

⚠ AVERTIZARE!

- ▶ Privirea unei raze laser prin intermediul unui instrument optic (de exemplu lupte etc.) poate provoca leziuni oculare.
- ▶ Precauție! Dacă sunt utilizate alte dispozitive de comandă sau de reglare ori sunt realizate alte proceduri decât cele specificate aici, acest lucru poate duce la efecte periculoase ale razei laser.

- Nu orientați niciodată raza laser asupra suprafețelor reflectorizante, persoanelor sau animalelor. Chiar și un contact vizual scurt cu raza laser poate provoca leziuni oculare.

Accesorii / aparate auxiliare originale

- **Utilizați numai accesorii și aparate auxiliare indicate în instrucțiunile de utilizare, resp. a căror prindere este compatibilă cu aparatul.**

Informații privind pânzele de ferăstrău

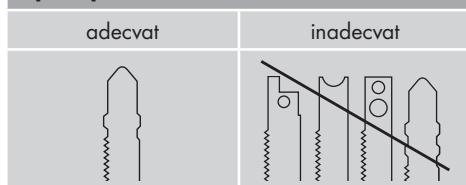
Din dotarea de bază Parkside fac parte deja pânze de ferăstrău pentru aplicațiile principale pentru lemn și metal.

- 3 pânze de ferăstrău pentru operațiuni generale de tăiere a lemnului
- 1 pânză de ferăstrău pentru metale ușoare de până la 3 mm

INDICAȚIE

- ▶ Puteți utiliza orice pânză de ferăstrău, cu condiția ca acestea să fie echipate cu dispozitivul de fixare adecvat (tijă cu o camă).

Tip de pânză de ferăstrău



Punerea în funcțiune

Montarea / înlocuirea pânzei de ferăstrău

Înainte de a efectua orice lucrări la aparat, scoateți ștecărul din priză.

- ◆ Îndepărtați capacul de protecție **18**.
- ◆ Rotiți mandrina cu prindere rapidă **19** și mențineți-o în poziție.
- ◆ Împingeți pânză de ferăstrău necesară până la capăt în mandrina cu prindere rapidă **19**.
- ◆ Eliberați mandrina cu prindere rapidă **19**, aceasta trebuie să revină în poziția inițială. Acum pânză de ferăstrău este blocată.
- **ATENȚIE!** Dinții pânzei de ferăstrău trebuie să fie orientați în față (a se vedea pagina pliată)!
- ◆ Așezați din nou capacul de protecție **18** pe aparat.

Montarea riglei de ghidare

Rigla de ghidare **13** se poate fixa în stânga sau în dreapta aparatului.

- ◆ Desfaceți ambele șuruburi de fixare ale orificiilor de introducere **16**.
- ◆ Împingeți rigla de ghidare **13** în orificiile de introducere **16**.
- ◆ Înșurubați la loc șuruburile de fixare.

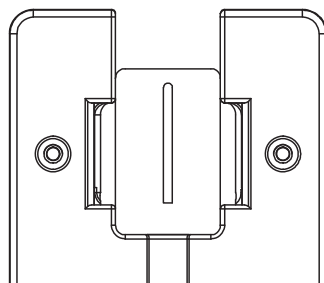
Conectarea dispozitivului de aspirare a așchiilor

- ◆ Introduceți piesa de reducere **6** în ștuțul de aspirație **7** până la fixarea acesteia.
- ◆ Conectați un dispozitiv aprobat de aspirare a prafului și așchiilor la piesa de reducere **6** sau direct la aspirația **7**.

Mount splintering

Aschiere **20** poate preveni destrămarea suprafeței în imp ce tăierea lemnului. Aschiere **20** poate fi folosit numai pentru anumite tipuri de lame de ferăstrău și numai la un unghi de tăiere de 0 °.

- ◆ Glisați **20** din partea aschiere fata a pantofului **9** (săgeata).



Deservirea

Reglarea unghiului de tăiere

- ◆ Împingeți pârghia de tensionare **4** în față și trageți placa de bază **8** în spate.
- ◆ Reglați unghiul de tăiere la 0° / 22,5° / 45° cu ajutorul marcajelor de pe placa de bază **8**. Împingeți placa de bază **8** în față, astfel încât știftul de blocare să se fixeze în dantură **12**.
- ◆ Glisați în spate pârghia de tensionare **4**.

INDICAȚIE

- ▶ La un unghi de tăiere de 22,5° / 45°, mai întâi trebuie îndepărtat capacul de protecție **18**! În cazul în care placa de bază **8** nu poate fi blocat bine de prindere levier **4**, scoateți conectorul de extracție **7**, apoi strângeți șurubul de fixare **12a** cu cheie hexagonală.

Reglarea numărului de curse

- ◆ Reglați numărul de curse dorit cu ajutorul roțiței de preselecție a curselor **3**.

Reglarea cursei pendulare

- ◆ Cu ajutorul comutatorului pentru cursa pendulară **11** poate fi reglată mișcarea pendulară a pânzei de ferăstrău **15**. Muchii de tăiere fine și curate pot fi obținute fără mișcarea pendulară (poziția „0”). Opriti cursa pendulară atunci când prelucrați piese subțiri. Activarea cursei pendulare (poziția 1 - 3) permite obținerea unui ritm de lucru mai rapid.

Pornirea / oprirea

Pornirea aparatului:

Glisați comutatorul PORNIT / OPRIT **2** în poziția „I”.

Oprirea aparatului:

Glisați comutatorul PORNIT / OPRIT **2** în poziția „0”.

Pornirea și oprirea laserului / luminii de lucru

Comutator Pornit/Oprit:

Apăsăți comutatorul PORNIT/OPRIT **21** până la activarea funcției dorite.

LASER și LUMINĂ DE LUCRU → LUMINĂ DE LUCRU → LASER → DECONECTARE

Funcția de suflare a așchiilor

Pornirea funcției de suflare a așchiilor:

- ◆ Glisați în spate comutatorul dispozitivului de suflare a așchiilor **10** .

Susținerea funcției de aspirare:

- ◆ Glisați în față comutatorul dispozitivului de suflare a așchiilor **10** „O”.

Întreținerea și curățarea



AVERTIZARE! PERICOL DE RĂNIRE!

Înainte de toate lucrărilor la aparat opriți aparatul și scoateți ștecărul din priză.

- Aparatul trebuie să fie permanent curat, uscat și să nu prezinte ulei sau unsori.
- Pentru curățarea carcasei utilizați o lavetă uscată.



AVERTIZARE!

- Pentru a evita orice risc, la defectarea cablului de alimentare al aparatului, acesta trebuie înlocuit de către producător, serviciul clienți al acestuia sau de către o altă persoană calificată.
- Înlocuiți pânda de ferăstrău **15** imediat ce dantura acesteia se tocește, iar tăierea corespunzătoare nu mai poate fi asigurată.
- Curățați aparatul după lucrările de tăiere.
- Îndepărtați impuritățile (de exemplu rumegușul). Curățați suportul pânzei de ferăstrău, dacă este cazul, cu o pensulă sau prin purjarea de aer comprimat.

Garanția Kompennass Handels GmbH

Stimate client,

Pentru acest aparat se acordă o garanție de 3 ani de la data cumpărării. În cazul în care produsul prezintă defecte, beneficiați de drepturi legale față de vânzătorul produsului. Aceste drepturi legale nu sunt limitate prin garanția noastră prezentată în cele ce urmează.

Condiții de garanție

Perioada de garanție începe de la data cumpărării. Păstrați cu grijă bonul fiscal original. Acesta este necesar pentru a dovedi cumpărarea.

Dacă în decurs de trei ani de la data cumpărării acestui produs apare un defect de material sau de fabricație, produsul va fi reparat sau înlocuit de către noi – la alegerea noastră – în mod gratuit. Garanția presupune ca în timpul perioadei de trei ani să se prezinte aparatul defect și dovada cumpărării (bonul fiscal), precum și o scurtă descriere în scris, în care să se specifice în ce constă defectul și când a apărut acesta.

Dacă defectul este acoperit de garanția noastră, veți primi înapoi produsul reparat sau unul nou. Odată cu reparația sau înlocuirea produsului nu începe o nouă perioadă de garanție.

Perioada de garanție și pretențiile legale privind defectele

Perioada de garanție nu este prelungită după efectuarea reparațiilor realizate în perioada de garanție. Acest lucru este valabil și pentru piesele înlocuite și reparate.

Eventualele deteriorări și deficiențe prezente deja la cumpărare trebuie semnalate imediat după dezambalarea produsului. Reparațiile necesare după expirarea perioadei de garanție se efectuează contra cost.

Domeniul de aplicare a garanției

Aparatul a fost produs cu grijă, în conformitate cu orientările stricte privind calitatea și verificat cu rigurozitate înaintea livrării.

Garanția se acordă în caz de defecte de material sau de fabricație. Această garanție nu se extinde asupra componentelor produsului care sunt expuse uzurii normale și care, prin urmare, pot fi considerate piese de uzură sau asupra deteriorărilor apărute la componentele fragile, de exemplu comutatoare, acumulatori, forme de copt sau componente realizate din sticlă.

Această garanție se pierde în cazul în care produsul a fost deteriorat, a fost utilizat sau întreținut în mod necorespunzător. Pentru utilizarea corespunzătoare a produsului trebuie respectate cu strictețe toate indicațiile prezentate în instrucțiunile de utilizare. Trebuie evitate în mod obligatoriu utilizările și acțiunile nerecomandate sau care fac obiectul unor avertizări în cadrul instrucțiunilor de utilizare.

Aparatul este destinat numai uzului privat și nu utilizărilor comerciale. În cazul manevrării abuzive sau necorespunzătoare, al uzului de forță și al intervențiilor care nu au fost realizate de către filiala noastră autorizată de service, garanția își pierde valabilitatea.

Procedura de acordare a garanției

Pentru a se asigura prelucrarea rapidă a solicitării dvs., urmați instrucțiunile de mai jos:

- Pentru toate solicitările păstrați la îndemână bonul fiscal și numărul articolului (de exemplu IAN 12345) ca dovadă a cumpărării.
- Numărul articolului poate fi consultat pe plăcuța de caracteristici, pe o gravură, pe coperta instrucțiunilor (în partea stângă, jos) sau pe autocolantul de pe partea din spate sau de jos.
- În cazul în care apar defecte funcționale sau alte defecțiuni, contactați mai întâi **telefonic** sau **prin e-mail** departamentul de service menționat în continuare.
- Apoi puteți expedia produsul înregistrat ca fiind defect la adresa de service care v-a fost comunicată, fără a plăti taxe poștale, anexând dovada cumpărării (bonul fiscal) și indicând în ce constă defectul și când a apărut acesta.



Acest manual, precum și multe altele, videoclipuri cu produsele și software-uri pot fi descărcate de pe www.lidl-service.com. Perioadei de garanție se efectuează contra cost.

Service-ul

RO Service România
 Tel.: 0800896637
 E-Mail: kompennass@lidl.ro
IAN 282403

Importator

Vă rugăm să aveți în vedere faptul că următoarea adresă nu reprezintă o adresă pentru service. Contactați mai întâi centrul de service indicat.

KOMPENASS HANDELS GMBH
 BURGSTRASSE 21
 DE-44867 BOCHUM
 GERMANIA
www.kompennass.com

Eliminarea



Ambalajul este format din materiale ecologice pe care le puteți elimina prin intermediul centrelor locale de reciclare.



Nu aruncați sculele electrice la gunoii menajer!

Conform Directivei europene 2012/19/EU, sculele electrice uzate trebuie colectate separat și eliminate la un punct de reciclare ecologic.

Informații despre posibilitățile de eliminare a aparatului uzat pot fi obținute de la administrația locală.

Traducerea declarației de conformitate originale

KOMPERNASS HANDELS GMBH, responsabil cu documentația: dl Semi Uguzlu, BURGSTR. 21, DE - 44867 BOCHUM, GERMANIA, declară prin prezenta că acest produs corespunde următoarelor norme, documente normative și directive CE:

**Directiva privind echipamentele tehnice
(2006 / 42 / EC)**

**Directiva privind compatibilitatea
electromagnetică
(2014/30/EU)**

**Directiva privind restricțiile de utilizare a anumitor substanțe periculoase în echipamentele
electrice și electronice
(2011 / 65 / EU)***

*Responsabilitatea privind redactarea prezentei declarații de conformitate revine exclusiv producătorului. Obiectul declarației descris anterior corespunde prevederilor Directivei 2011/65/EU a Parlamentului European și a Consiliului din 8 iunie 2011 privind restricțiile de utilizare a anumitor substanțe periculoase în echipamentele electrice și electronice.

Norme armonizate aplicate:

EN 60745-1:2009 / A11: 2010

EN 60745-2-11: 2010

EN 55014-1:2006 / A2: 2011

EN 55014-2:2015

EN 61000-3-2: 2014

EN 61000-3-3: 2013

Denumirea tipului mașinii:

Ferăstrău pendular PSTK 800 B2

Anul de fabricație: 12-2016

Număr de serie: IAN 282403

Bochum, 14.12.2016



Semi Uguzlu

- Manager calitate -

Ne rezervăm dreptul asupra modificărilor tehnice în scopul dezvoltării ulterioare.

Съдържание

Въведение	32
Употреба по предназначение	32
Оборудване	32
Окомплектовка на доставката	32
Технически характеристики	32
Общи указания за безопасност за електрически инструменти.	33
1. Безопасност на работното място	33
2. Електрическа безопасност	33
3. Безопасност на хората	34
4. Употреба и обслужване на електрическия инструмент	34
5. Сервиз	35
Указания за безопасност, специфични за прободни триони	35
Оригинални принадлежности/допълнителни уреди	36
Информация относно режещите ножове	36
Пускане в експлоатация.	36
Монтаж/Смяна на режещ нож	36
Монтаж на паралелния водач	36
Свързване на уреда за изсмукване на стърготини	36
Монтаж на устройството за защита от трески	37
Работа с уреда	37
Настройка на ъгла на рязане	37
Настройка на броя ходове	37
Настройка на махалното движение	37
Включване/Изключване	37
Включване/Изключване на лазерната/работната светлина	37
Функция за издухване на стърготини	37
Техническо обслужване и почистване	38
Гаранция.	38
Сервизно обслужване	40
Вносител	40
Предаване за отпадъци	41
Превод на оригиналната декларация за съответствие	41

МАХАЛЕН ПРОБОДЕН ТРИОН PSTK 800 B2

Въведение



Поздравяваме ви за покупката на вашия нов уред. Избрали сте висококачествен продукт. Ръководството за потребителя е част от този продукт. То съдържа важни указания относно безопасността, употребата и предаването за отпадъци. Преди да използвате продукта, се запознайте с всички указания за обслужване и безопасност. Използвайте продукта единствено според описанието и за указаните области на приложение. Предавайте продукта на трети лица заедно с цялата документация.

Употреба по предназначение

Уредът е предназначен за прави и извити разрези, както и за разрези под наклон до 45° на многостенни детайли от пластмаса, дърво и лек метал. Уредът е предназначен само за битова употреба в сухи помещения. Спазвайте указанията за типовете режещи ножове. Всяка друга употреба или промяна на уреда се счита за нецелесъобразна и крие значителни опасности от злополука. За повреди вследствие на употреба, която не отговаря на предназначението, производителят не поема отговорност.

Оборудване

- 1 Опора
- 2 Превключвател за включване/изключване
- 3 Регулатор за задаване на брой ходове
- 4 Затегателна ръчка
- 5 Кабел за свързване към мрежата
- 6 Преходна муфа
- 7 Смукателен шуцер
- 8 Основна плоча
- 9 Опорна обувка
- 10 Превключвател за издухване на стърготини
- 11 Превключвател за махалното движение
- 12 Зъбен венец
- 13 Затваряне на винт
- 14 Паралелен водач
- 15 Водеща ролка
- 16 Режещ нож

- 16 Отвори за вкарване (с фиксиращи винтове)
- 17 Защитна скоба
- 18 Защитен капак
- 19 Бързозатягащ патронник
- 20 Осколки
- 21 Превключвател за включване/изключване на лазерна/работна светлина

Окомплектовка на доставката

- 1 махален прободен трион вкл. смукателен шуцер
- 1 паралелен водач
- 1 редуктор
- 1 ръководство за експлоатация
- 3 режещи ножа за обработка на дърво
- 1 режещ нож за обработка на метал

Технически характеристики

Махален прободен трион:	Parkside PSTK 800 B2
Номинално напрежение:	230 V ~ 50 Hz (променлив ток)
Номинална консумирана мощност:	800 W
Брой ходове при празен ход:	$n_0: 0 - 3100 \text{ min}^{-1}$
Дълбочина на рязане:	Дърво/Метал: 80/8 mm
Махално движение:	3 степени и настройка за прецизно рязане
Наклонени разрези:	0° / 22,5° / 45° наляво/налясно
Клас на защита:	II/□ (двойно екраниран)

Данни за шум и вибрации:

Измерената стойност за шум е определена съгласно EN 60745. Измереното по скала „A“ ниво на шума на електрическия инструмент обикновено възлиза на:

Стойност на шумовите емисии:

Ниво на звука:	$L_{pA} = 90 \text{ dB(A)}$
Възможна неточност на измерването K:	$K_{pA} = 3 \text{ dB}$

Ниво на звукова

мощност: $L_{WA} = 101 \text{ dB(A)}$

Възможна неточност

на измерването K: $K_{WA} = 3 \text{ dB}$

Носете антифони!

Сумарни стойности на вибрациите (векторна сума от трите посоки), определени съгласно EN 60745:

Сумарна стойност на вибрациите:

Рязане на плочи от дървесни частици

$a_{h,B} = 10,2 \text{ m/s}^2$

Възможна неточност на измерването

$K = 1,5 \text{ m/s}^2$

Рязане на метален лист

$a_{h,M} = 11,9 \text{ m/s}^2$

Възможна неточност на измерването

$K = 1,5 \text{ m/s}^2$

ПРЕДУПРЕЖДЕНИЕ!

- Посоченото в тези указания ниво на вибрациите е измерено съгласно нормиран в EN 60745 метод на измерване и може да се използва за сравняване на уреди. Посочената стойност на вибрационните емисии може да се използва и за начална оценка на експозицията. Нивото на вибрациите се променя според употребата на електрическия инструмент и в някои случаи може да е над посочената в тези указания стойност. Вибрационното натоварване може да бъде подценено, ако електрическият инструмент се използва редовно по този начин.

УКАЗАНИЕ

- Постарайте се да поддържате вибрационното натоварване максимално ниско. Примерни мерки за намаляване на вибрационното натоварване са носене на ръкавици при употреба на инструмента и ограничаване на работното време. При това трябва да се вземат предвид всички части на работния цикъл (напр. периодите, през които електрическият инструмент е изключен, както и периодите, през които инструментът е включен, но работи без натоварване).



Общи указания за безопасност за електрически инструменти

ПРЕДУПРЕЖДЕНИЕ!

- Прочетете всички указания за безопасност и инструкции. Пропуски при спазването на указанията за безопасност и инструкциите могат да причинят токов удар, пожар и/или тежки наранявания.

Запазете всички указания за безопасност и инструкции за бъдещи справки.

Използваният в указанията за безопасност термин „електрически инструмент“ се отнася за работещи със захранване от мрежата електрически инструменти (със захранващ кабел) и за работещи с акумулаторни батерии електрически инструменти (без захранващ кабел).

1. Безопасност на работното място

- Поддържайте работното си място чисто и добре осветено. Безпорядък и неосветени работни места могат да причинят злополуки.
- Не работете с електрическия инструмент в потенциално експлозивна среда, в която има запалими течности, газове или прахове. Електрическите инструменти образуват искри, които могат да запалят праха или парите.
- По време на ползване на електрическия инструмент дръжте на разстояние деца и други лица. При отвлечане на вниманието е възможно да загубите контрол над инструмента.

2. Електрическа безопасност

- Свързващият щепсел на електрическия инструмент трябва да е подходящ за контакта. Щепселът не трябва да се променя по никакъв начин. Не използвайте преходни щепсели заедно със защитно заземните електрически инструменти. Щепселите, по които не са правени промени, и подходящите електрически контакти намаляват риска от токов удар.

- б) Избягвайте контакт на тялото със заземени повърхности, като например тръби, радиатори, печки и хладилници. Съществува повишен риск от токов удар, когато тялото ви е заземено.
- в) Пазете електрическите инструменти от дъжд и влага. Проникването на вода в електрически уред повишава риска от токов удар.
- г) Не променяйте предназначението на кабела, например за носене или окачване на електрическия инструмент с него или за дърпане на щепсела от контакта. Пазете кабела от нагриване, масло, остри ръбове или движещи се части на уреда. Повредени или оплетени кабели увеличават риска от токов удар.
- д) Когато работите на открито с електрически инструмент, използвайте само удължители, които са разрешени за ползване на открито. Употребата на годни за работа на открито удължители намалява риска от токов удар.
- е) Когато работата с електрическия инструмент във влажна обстановка е неизбежна, използвайте прекъсвач с дефектнотокова защита. Използването на прекъсвач с дефектнотокова защита намалява риска от токов удар.

3. Безопасност на хората

- а) Винаги бъдете внимателни, съсредоточете се върху това, което извършвате, и подхождайте разумно към работата с електрически инструменти. Не използвайте електрически инструмент, когато сте уморени или сте под въздействието на наркотици, алкохол или медикаменти. Един момент невнимание при работа с електрическия инструмент може да доведе до сериозни наранявания.
- б) Използвайте лични предпазни средства и винаги носете защитни очила. Използването на лични предпазни средства като прахозащитна маска, устойчиви на плъзгане защитни обувки, каска или антифони – в зависимост от вида и приложението на електрическия инструмент – намалява риска от наранявания.

- в) Избягвайте неволно пускане. Уверете се, че електрическият инструмент е изключен, преди да го свържете към електрозахранването и/или акумулатора, да го вземете или носите. Когато при носене на електрическия инструмент държите пръста си на превключвателя или свържете вече включен уред към електрозахранването, са възможни злополуки.
- г) Отстранявайте инструментите за настройка или гачните ключове, преди да включите електрическия инструмент. Намиращ се във въртяща се част на уреда инструмент или ключ може да причини наранявания.
- д) Избягвайте неестествено положение на тялото. Заемете стабилна позиция и пазете винаги равновесие. Така ще можете да контролирате по-добре електрическия инструмент в неочаквани ситуации.
- е) Носете подходящо работно облекло. Не носете широки дрехи или бижута. Дръжте косите, облеклото и ръкавиците си далеч от движещи се части. Свободните дрехи, бижутата и дългите коси могат да бъдат захванати от движещи се части.
- ж) Ако е възможно монтиране на прахосмукачки и прахоуловители, се уверете, че са свързани и се използват правилно. Използването на прахосмукачка може да намали опасностите поради наличие на прах.

4. Употреба и обслужване на електрическия инструмент

- а) Не претоварвайте електрическия инструмент. За работата си използвайте предназначения за нея електрически инструмент. С подходящия електрически инструмент ще работите по-добре и по-безопасно в посочения работен диапазон.
- б) Не използвайте електрически инструмент с повреден превключвател. Електрически инструмент, който не може да се включва и изключва, е опасен и трябва да се ремонтира.
- в) Изключете щепсела от контакта и/или отстранете акумулаторната батерия, преди да предприемете настройки на уреда, да смените принадлежности или да оставите

уред. Тази предпазна мярка предотвратява неволното пускане на електрическия инструмент.

- г) Когато не използвате електрическите инструменти, ги съхранявайте извън обсега на деца. Не позволявайте използването на уреда от лица, които не са запознати с него или не са прочели тези указания. Електрическите инструменти са опасни, ако се използват от лица без опит.
- д) Поддържайте старателно електрическите инструменти. Проверявайте дали движещите се части функционират правилно и не се заклиняват, дали има счупени части или части, които са повредени така, че съществува опасност за функционирането на електрическия инструмент. Преди използването на уреда повредените части трябва да се ремонтират. Причина за много злополуки е лоша поддръжка на електрическите инструменти.
- е) Поддържайте режещите инструменти остри и чисти. Старателно поддържаните режещи инструменти с остри режещи ръбове се заклиняват по-рядко и се направляват по-лесно.
- ж) Използвайте електрическия инструмент, принадлежностите, сменяемите инструменти и т.н. в съответствие с тези указания. Вземайте под внимание работните условия и извършваната дейност. Употребата на електрически инструменти за други, различни от предвидените приложения може да доведе до опасни ситуации.

5. Сервиз

- а) Електрическият инструмент трябва да се ремонтира само от квалифицирани специалисти и само с оригинални резервни части. С това се гарантира, че безопасността на електрическия инструмент ще бъде запазена.

Указания за безопасност, специфични за прободни триони

- Дръжте електрическия инструмент за изолираните повърхности на ръкохватката, когато извършвате работи, при които електрическият инструмент може да докосне скрити електрически проводници или своя

захранващ кабел. Контактът с намиращ се под напрежение проводник може да захрани с напрежение и металните части на уреда и да причини токов удар.

- Пазете ръцете си далеч от мястото на рязане. Не посягайте под обработвания детайл. При контакт с режещия нож има опасност от нараняване.
- Дръжте ръцете си далече от повдигащия лост и бързозатягащия патронник. При контакт с компонентите на уреда съществува опасност от притискане.
- Подвеждайте само включен електрически инструмент към детайла. В противен случай съществува опасност от откат.
- Обърнете внимание на това, че основната плоча **8** трябва да е легнала стабилно по време на рязане.
- След завършване на работа, изключете електрическия инструмент и извадете режещия нож **15** от разреза едва след като е спрял да се движи. По този начин предотвратявате откат и можете да оставите безопасно електрическия инструмент.
- Използвайте само неповредени и изправни режещи ножове. Изкривени и изтъпени режещи ножове могат да се счупят или да причинят откат.
- Не спирайте режещия нож **15** след изключване на инструмента чрез натискането му настрани в разреза. Режещият нож **15** може да бъде повреден, да се счупи или да причини откат.
- Фиксирайте обработвания детайл. Използвайте фиксиращи приспособления/менгеме, за да фиксирате обработвания детайл. Те го държат по-стабилно, отколкото ръката ви.
- Винаги отвеждайте кабела за свързване към мрежата в посока назад от уреда.
- Не обработвайте навлажнени материали и влажни повърхности.
- Опасност от прах! При по-продължителна обработка на дърво и особено при обработка на материали, отделящи вредни за здравето прахове, свържете уреда към подходящо съоръжение за изсмукване на прах.

- Носете прахозащитна маска!
- Осигурете достатъчно добро проветряване.



ПРЕДУПРЕЖДЕНИЕ! Пазете се от лазерното лъчение:



P max.: < 1 mW • λ: 650 nm • EN 60825-1:2014

- Не гледайте директно в лазерния лъч или в отвора, от който излиза.

⚠ ПРЕДУПРЕЖДЕНИЕ!

- ▶ Наблюдението на лазерния изход с оптични инструменти (например лупа, увеличителни стъкла и др.) е свързано с опасност за зрението.
- ▶ Повишено внимание! Ако се използват други, различни от посочените тук устройства за обслужване и настройка или начини на работа, това може да доведе до опасно въздействие на лъчението.

- Никога не насочвайте лазерния лъч към отразяващи повърхности, хора или животни. Дори кратък зрителен контакт с лазерния лъч може да доведе до увреждане на очите.

Оригинални принадлежности/ допълнителни уреди

- Използвайте само принадлежности и допълнителни уреди, които са посочени в ръководството за потребителя респ. чийто захват е съвместим с уреда.

Информация относно режещите ножове

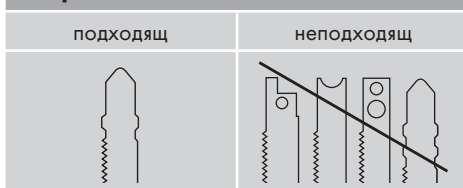
В стандартното оборудване на Parkside са включени режещи ножове за основни приложения в дърво и метал.

- 3 режещи ножа за общи разрези в дърво
- 1 режещ нож за леки метали до 3 mm

УКАЗАНИЕ

- ▶ Можете да използвате всякакъв режещ нож, при условие че разполага с подходящ захват (едногръбична опашка).

Тип режещ нож



Пускане в експлоатация

Монтаж/Смяна на режещ нож

Преди всички работи по уреда изключвайте щепсела от контакта.

- ◆ Отстранете защитния капак **18**.
- ◆ Завъртете бързозатягащия патронник **19** и го задръжте завъртан.
- ◆ Вкарайте необходимия режещ нож до упор в бързозатягащия патронник **19**.
- ◆ Отпуснете бързозатягащия патронник **19**, той трябва да се върне в изходната си позиция. Режещият нож е блокиран.

- **ВНИМАНИЕ!** При това зъбите на режещия нож трябва да сочат напред (вж. разгъващата се страница!)

- ◆ Отново поставете защитния капак **18** на уреда.

Монтаж на паралелния водач

Паралелният водач **16** може да се фиксира отляво или отдясно на уреда.

- ◆ Развийте двата фиксиращи винта на отвори-те за вкарване **16**.
- ◆ Поставете паралелния водач **16** в отворите за вкарване **16**.
- ◆ Затегнете отново двата фиксиращи винта.

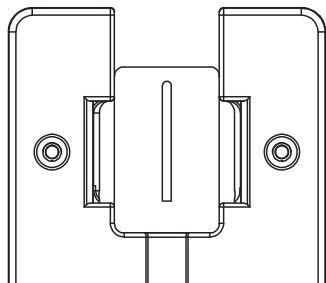
Свързване на уреда за изсмукване на стърготини

- ◆ Поставете преходната муфа **6** в смукателния щуцер **7** така, че да се затегне.
- ◆ Свържете разрешен за ползване уред за изсмукване на прах и стърготини към преходната муфа **6** или директно към смукателната **7**.

Монтаж на устройството за защита от трески

Устройството за защита от трески **20** може да предотврати откъсването на трески от повърхността при рязане на дърво. Устройството за защита от трески **20** може да се използва само при определени типове режещи ножове и само при ъгъл на рязане от 0°.

- ◆ Натиснете устройството за защита от трески **20** отдолу в опорна обувка **9** (с резката нагоре).



Работа с уреда

Настройка на ъгъла на рязане

- ◆ Преместете затегателната ръчка **4** напред и издърпайте основната плоча **8** назад.
- ◆ Настройте ъгъла на рязане 0° / 22,5° / 45° с помощта на маркировката върху основната плоча **8**. За фиксиране на блокиращия щифт в зъбния венец **12** преместете основната плоча **8** напред.
- ◆ Преместете затегателната ръчка **4** назад.

УКАЗАНИЕ

- ▶ При ъгъл на рязане 22,5° / 45° защитният капак **18** трябва да се отстрани предварително! Ако основната плоча **8** не може да бъде заключена и чрез прикрепване лост **4**, извадете екстракция съединителя **7**, след това затегнете затягащия винт **12a** с шестстенен ключ.

Настройка на броя ходове

- ◆ С помощта на въртящия се регулатор за задаване на броя ходове **3** настройте желания брой ходове.

Настройка на махалното движение

- ◆ С превключвателя за махалното движение **11** можете да настроите махалното движение на режещия нож **15**. Без махално движение (положение „0“) постигате прецизни и чисти ръбове на разреза. При тънки обработвани детайли изключете махалното движение. При активирано махално движение (положение 1 – 3) постигате все по-бърз работен резултат.

Включване/Изключване

Включване на уреда:

Преместете превключвателя за включване/изключване **2** на позиция „1“.

Изключване на уреда:

Преместете превключвателя за включване/изключване **2** на позиция „0“.

Включване/Изключване на лазерната/работната светлина

Превключвател за включване/изключване:

Натискайте превключвателя за включване/изключване **21** до активиране на желаната функция.

ЛАЗЕРНА И РАБОТНА СВЕТЛИНА → РАБОТНА СВЕТЛИНА → ЛАЗЕР → ИЗКЛЮЧВАНЕ

Функция за издухване на стърготини

Включване на функцията за издухване на стърготини:

- ◆ Преместете превключвателя за издухване на стърготини **10** .

Поддържане на функцията за изсмукване:

- ◆ Преместете превключвателя за издухване на стърготини **10** „0“.

Техническо обслужване и почистване



ПРЕДУПРЕЖДЕНИЕ! ОПАСНОСТ ОТ НАРАНЯВАНЕ! Преди всякакви работи по уреда изключвайте уреда и издърпвайте щепсела от контакта.

- Уредът трябва да е винаги чист, сух и без замърсявания от масло или смазки.
- За почистване на корпуса използвайте суха кърпа.

⚠ ПРЕДУПРЕЖДЕНИЕ!

- Ако кабелът за свързване към мрежата на този уред се повреди, той трябва да се смени от производителя, неговия сервиз или лице с подходяща квалификация, за да се предотвратят евентуални опасности.
- Сменяйте режещия нож **15**, веднага щом неговите зъби се изтъпят и с него повече не може да се извършва безупречно рязане.
- След завършване на работата по рязането почистете уреда.
- Отстранете замърсяванията (например стъргодини от рязането). При необходимост почистете захвата на режещия нож с четка или чрез издухване със състен въздух.

Гаранция

Уважаеми клиенти,

за този уред получавате 3 години гаранция от датата на покупката. В случай на несъответствие на продукта с договора за продажба Вие имате законно право да предявите рекламация пред продавача на продукта при условията и в сроковете, определени в чл.112-115* от Закона за защита на потребителите. Вашите права, произтичащи от посочените разпоредби, не се ограничават от нашата по-долу представена търговска гаранция и независимо от нея продавачът на продукта отговаря за липсата на съответствие на потребителската стока с договора за продажба съгласно Закона за защита на потребителите.

Гаранционни условия

Гаранционният срок започва да тече от датата на покупката. Пазете добре

оригиналната касова бележка. Този документ е необходим като доказателство за покупката. Ако в рамките на три години от датата на закупуване на този продукт се появи дефект на материала или производствен дефект, продуктът ще бъде безплатно ремонтиран или заменен – по наш избор. Гаранцията предполага в рамките на тригодишния гаранционен срок да се представят дефектния уред и касовата бележка (касовият бон) и писмено да се обясни в какво се състои дефектът и кога е възникнал. Ако дефектът е покрит от нашата гаранция, Вие ще получите обратно ремонтирания или нов продукт. С ремонта или смяната на продукта не започва да тече нов гаранционен срок.

Гаранционен срок и законови претенции при дефекти

Гаранционната услуга не удължава гаранционния срок. Това важи също и за сменените и ремонтирани части. За евентуално наличните повреди и дефекти още при покупката трябва да се съобщи веднага след разопаковането. Евентуалните ремонти след изтичане на гаранционния срок са срещу заплащане.

Обхват на гаранцията

Уредът е произведен грижливо според строгите изисквания за качество и добросъвестно изпитан преди доставка. Гаранцията важи за дефекти на материала или производствени дефекти. Гаранцията не обхваща частите на продукта, които подлежат на нормално износване, поради което могат да бъдат разглеждани като бързо износващи се части (например филтри или приставки) или повредите на чупливи части (например прекъсвачи, батерии или такива произведени от стъкло). Гаранцията отпада, ако уредът е повреден поради неправилно използване или в резултат на неосъществяване на техническа поддръжка. За правилната употреба на продукта трябва точно да се спазват всички указания в упътването за обслужване.

Предназначение и действия, които не се препоръчват от упътването за експлоатация или за които то предупреждава, трябва задължително да се избягват. Продуктът е предназначен само за частна, а не за стопанска употреба. При злоупотреба и неправилно третиране, употреба на сила и при интервенции, които не са извършени от клона на нашия оторизиран сервиз, гаранцията отпада.

Процедура при гаранционен случай

За да се гарантира бърза обработка на Вашия случай, следвайте следните указания:

- За всички запитвания подгответе касовата бележка и идентификационния номер (IAN 000000) като доказателство за покупката.
- Вземете артикулния номер от фабричната табелка.
- При възникване на функционални или други дефекти първо се свържете по телефона или чрез имейл с долупосочения сервизен отдел. След това ще получите допълнителна информация за уреждането на Вашата рекламация.

- След съгласуване с нашия сервиз можете да изпратите дефектния продукт на посочения Ви адрес на сервиза безплатно за Вас, като приложите касовата бележка (касовия бон) и посочите в какво се състои дефектът и кога е възникнал. За да се избегнат проблеми с приемането и допълнителни разходи, задължително използвайте само адреса, който Ви е посочен. Осигурете изпращането да не е като експресен товар или като друг специален товар. Изпратете уреда заедно с всички принадлежности, доставени при покупката, и осигурете достатъчно сигурна транспортна опаковка.

Ремонтен сервиз / извънгаранционно обслужване

Ремонти извън гаранцията можете да възложите на клона на нашия сервиз срещу заплащане. Той с удоволствие ще Ви направи предварителна калкулация. Можем да обработваме само уреди, които са достатъчно опаковани и изпратени с платени транспортни разходи.

Внимание: Изпратете Вашия уред на клона на нашия сервиз почистен и с указание за дефекта. Уредите, изпратени с неплатени транспортни разходи – с наложен платеж, като експресен или друг специален товар – не се приемат.

Ние ще извършим безплатно изхвърлянето на изпратените от Вас дефектни уреди.

Сервизно обслужване

BG Сервизно обслужване България

Тел.: 00800 111 4920

Е-мейл: kompernass@lidl.bg

IAN 282403

Вносител

Моля, обърнете внимание, че следващият адрес не е адрес на сервиза.

Първо се свържете с горепосочения сервизен център.

KOMPERNASS HANDELS GMBH

BURGSTRASSE 21

DE-44867 BOCHUM

GERМАНИЯ

www.kompernass.com

* Чл. 112.

- (1) При несъответствие на потребителската стока с договора за продажба потребителята има право да предяви рекламация, като поиска от продавача да приведе стоката в съответствие с договора за продажба. В този случай потребителят може да избира между извършване на ремонт на стоката или замяната ѝ с нова, освен ако това е невъзможно или изборният от него начин за обезщетение е непропорционален в сравнение с другия.
- (2) Смята се, че даден начин за обезщетяване на потребителя е непропорционален, ако неговото използване налага разходи на продавача, които в сравнение с другия начин за обезщетяване са неразумни, като се вземат предвид:
 1. стойността на потребителската стока, ако нямаше липса на несъответствие;
 2. значимостта на несъответствието;
 3. възможността да се предложи на потребителя друг начин на обезщетяване, който не е свързан със значителни неудобства за него.

Чл. 113.

- (1) Когато потребителската стока не съответства на договора за продажба, продавачът е длъжен да я приведе в съответствие с договора за продажба.
- (2) Привеждането на потребителската стока в съответствие с договора за продажба трябва да се извърши в рамките на един месец, считано от предявяването на рекламацията от потребителя.
- (3) След изтичането на срока по ал. 2 потребителят има право да развали договора и да му бъде възстановена заплатената сума или да иска намаляване на цената на потребителската стока съгласно чл. 114.
- (4) Привеждането на потребителската стока в съответствие с договора за продажба е безплатно за потребителя. Той не дължи разходи за експедиране на потребителската стока или за материали и труд, свързани с ремонта ѝ, и не трябва да понася значителни неудобства.
- (5) Потребителят може да иска и обезщетение за претърпените вследствие на несъответствието вреди.

Чл. 114.

- (1) При несъответствие на потребителската стока с договора за продажба и когато потребителят не е удовлетворен от решаването на рекламацията по чл. 113, той има право на избор между една от следните възможности:
 1. разваляне на договора и възстановяване на заплатената от него сума;
 2. намаляване на цената.
- (2) Потребителят не може да претендира за възстановяване на заплатената сума или за намаляване цената на стоката, когато търговецът се съгласи да бъде извършена замяна на потребителската стока с нова или да се поправи стоката в рамките на един месец от предявяване на рекламацията от потребителя.

- (3) Търговецът е длъжен да удовлетвори искане за разваляне на договора и да възстанови заплатената от потребителя сума, когато след като е удовлетворил три рекламации на потребителя чрез извършване на ремонт на една и съща стока, в рамките на срока на гаранцията по чл. 115, е налице следваща поява на несъответствие на стоката с договора за продажба. (4) (Предишна ал. 3 - ДВ, бр. 61 от 2014 г., в сила от 25.07.2014 г.) Потребителят не може да претендира за разваляне на договора, ако несъответствието на потребителската стока с договора е незначително.

Чл. 115.

- (1) Потребителят може да упражни правото си по този раздел в срок до две години, считано от доставянето на потребителската стока.
- (2) Срокът по ал. 1 спира да тече през времето, необходимо за поправката или замяната на потребителската стока или за постигане на споразумение между продавача и потребителя за решаване на спора.
- (3) Упражняването на правото на потребителя по ал. 1 не е обвързано с никакъв друг срок за предявяване на иск, различен от срока по ал. 1.

Предаване за отпадъци



Опаковката е произведена от екологични материали, които могат да се предават в местните пунктове за рециклиране.



Не изхвърляйте електрически инструменти заедно с битовите отпадъци!

Съгласно европейската директива 2012/19/EU излезлите от употреба електрически инструменти трябва да се събират отделно и да се предават за екологосъобразно рециклиране.

Информация относно предаването за отпадъци на излезлия от употреба уред можете да получите от вашата общинска или градска управа.

Превод на оригиналната декларация за съответствие

Ние, KOMPERNASS HANDELS GMBH, отговорник за документацията: г-н Семи Угузлу, BURGSTR. 21, DE - 44867 BOCHUM, ГЕРМАНИЯ, декларираме, че този продукт съответства на следните стандарти, нормативни документи и директиви на ЕО:

Директива относно машините (2006/42/ЕС)

Електромагнитна съвместимост (2014/30/EU)

Директива относно ограничението за употребата на определени опасни вещества в електрическото и електронното оборудване (ЕЕО) (2011/65/EU)*

*Издаването на тази декларация за съответствие е на собствена отговорност на производителя.

Гореописаният предмет на Декларацията отговаря на разпоредбите на Директивата 2011/65/EU на Европейския парламент и на Съвета от 8 юни 2011 г. относно ограничението за употребата на определени опасни вещества в електрическото и електронното оборудване.

Приложени хармонизирани стандарти:

EN 60745-1:2009/A11: 2010

EN 60745-2-11: 2010

EN 55014-1:2006/A2: 2011

EN 55014-2:2015

EN 61000-3-2: 2014

EN 61000-3-3: 2013

Типово обозначение на машината:

Махален прободен трион PSTK 800 B2

Година на производство: 12-2016

Сериен номер: IAN 282403

Бохум, 14.12.2016 г.

Семи Угузлу

- Мениджър качество -

Запазено право на технически изменения с цел усъвършенстване.



Περιεχόμενα

Εισαγωγή	44
Προβλεπόμενη χρήση	44
Εξοπλισμός	44
Παραδοτέος εξοπλισμός.....	44
Τεχνικά χαρακτηριστικά	44
Γενικές υποδείξεις ασφαλείας για ηλεκτρικά εργαλεία	45
1. Ασφάλεια στο χώρο εργασίας.....	45
2. Ηλεκτρική ασφάλεια.....	45
3. Ασφάλεια από μόν	46
4. Χρήση και χειρισμός του ηλεκτρικού εργαλείου	46
5. Σέρβις	47
Συγκεκριμένες υποδείξεις ασφαλείας για σέγες	47
Γνήσια εξαρτήματα/συμπληρωματικές συσκευές.....	48
Πληροφορίες σχετικά με τις λεπίδες	48
Θέση σε λειτουργία	48
Τοποθέτηση/Αλλαγή λεπίδας	48
Τοποθέτηση παράλληλου αναστολέα	48
Σύνδεση διάταξης απορρόφησης ρινιδιών.....	48
Τοποθέτηση προστασίας ροκανιδιών	49
Χειρισμός	49
Ρύθμιση γωνίας κοπής	49
Ρύθμιση αριθμού εμβολισμών	49
Ρύθμιση εμβολισμού ταλάντωσης	49
Ενεργοποίηση / Απενεργοποίηση.....	49
Ενεργοποίηση/απενεργοποίηση λείζερ / λυχνίας εργασίας	49
Λειτουργία εκφύσησης ρινιδιών.....	49
Συντήρηση και καθαρισμός	50
Εγγύηση της Kompennass Handels GmbH	50
Σέρβις	51
Εισαγωγέας	51
Απόρριψη	52
Μετάφραση της Πρωτότυπης Δήλωση συμμόρφωσης	52

ΣΕΓΑ ΜΠΑΤΑΡΙΑΣ ΜΕ ΤΑΛΑΝΤΩΣΗ PSTK 800 B2

Εισαγωγή



Συγχαρητήρια για την αγορά της νέας σας συσκευής. Αποφασίσατε έτσι για την απόκτηση ενός προϊόντος υψηλής ποιότητας.

Οι οδηγίες χρήσης είναι τμήμα αυτού του προϊόντος. Περιέχουν σημαντικές υποδείξεις για την ασφάλεια, τη χρήση και την απόρριψη. Πριν από τη χρήση του προϊόντος, εξοικειωθείτε με όλες τις υποδείξεις χειρισμού και ασφάλειας. Χρησιμοποιείτε το προϊόν μόνο όπως περιγράφεται και για τους αναφερόμενους τομείς χρήσης. Παραδώστε όλα τα έγγραφα σε περίπτωση παράδοσης του προϊόντος σε τρίτους.

Προβλεπόμενη χρήση

Η συσκευή είναι κατάλληλη για ευθείες και καμπυλωτές κοπές, καθώς και κοπές λοξότμησης έως 45° σε τεμάχια επεξεργασίας με γωνίες από πλαστικό, ξύλο και ελαφρό μέταλλο. Η συσκευή προορίζεται αποκλειστικά για ιδιωτική χρήση σε ξηρούς χώρους. Τηρείτε τις υποδείξεις σχετικά με τους τύπους λεπίδων. Κάθε άλλη χρήση ή μετατροπή της συσκευής ισχύει ως μη σύμφωνη με τους κανονισμούς και ενέχει σημαντικούς κινδύνους ατυχημάτων. Για βλάβες από χρήση μη σύμφωνη με τους κανονισμούς ο κατασκευαστής δεν αναλαμβάνει καμία ευθύνη.

Εξοπλισμός

- 1 Λαβή
- 2 Διακόπτης ON/OFF
- 3 Τροχίσκος προεπιλογής αριθμού εμβολισμών
- 4 Μοχλός τάνυσης
- 5 Καλώδιο δικτύου
- 6 Εξάρτημα συστολής
- 7 Στόμιο αναρρόφησης
- 8 Βάση
- 9 Πέδιλο ολίσθησης
- 10 Διακόπτης διάταξης εκφύσησης ρινιδιών
- 11 Διακόπτης εμβολισμού ταλάντωσης
- 12 Οδόντωση
- 12a βίδα σύσφιξης

- 13 Παράλληλος αναστολέας
- 14 Τροχός οδηγός
- 15 Λεπίδα
- 16 Στόμια εισαγωγής (έκαστο με βίδα ρύθμισης)
- 17 Αψίδα προστασίας
- 18 Προστατευτικό κάλυμμα
- 19 Δίσκος ταχείας σύσφιξης
- 20 Διάσπαση
- 21 Διακόπτης ON/OFF λέιζερ/λυχνίας εργασίας

Παραδοτέος εξοπλισμός

1 ΣΕΓΑ ΜΠΑΤΑΡΙΑΣ ΜΕ ΤΑΛΑΝΤΩΣΗ

συμπεριλ. στομίου αναρρόφησης

1 Παράλληλος αναστολέας

1 Μειωτήρα

1 Οδηγίες χρήσης

3 Λεπίδες επεξεργασίας ξύλου

1 Λεπίδα επεξεργασίας μετάλλου

Τεχνικά χαρακτηριστικά

Σέγα με ταλάντωση: Parkside PSTK 800 B2
Ονομαστική τάση: 230 V ~ 50 Hz
 (Εναλλασσόμενο ρεύμα)

Ονομαστική απορροφούμενη ισχύς: 800 W

Αριθμός εμβολισμών

στο ρελαντί: $n_0: 0 - 3100 \text{ min}^{-1}$

Βάθος κοπής: Ξύλο / Μέταλλο: 80/8 χιλ.

Εμβολισμός ταλάντωσης: 3 βαθμίδες και ρύθμιση

κοπής ακριβείας

Λοξοτομές: 0° / 22,5° / 45°

αριστερά/δεξιά

Κατηγορία προστασίας: II/□ (διπλή θωράκιση)

Πληροφορίες θορύβου και κραδασμών:

Τιμή μέτρησης για θόρυβο διακριβωμένη σύμφωνα με το EN 60745. Το επίπεδο θορύβου Α-στάθμισης του ηλεκτρικού εργαλείου ανέρχεται συνήθως:

Τιμή εκπομπών θορύβου:

Στάθμη ηχητικής πίεσης: $L_{PA} = 90 \text{ dB(A)}$

Αβεβαιότητα Κ: $K_{PA} = 3 \text{ dB}$

Επιτρεπόμενη στάθμη θορύβου: $L_{WA} = 101 \text{ dB(A)}$

Αβεβαιότητα Κ: $K_{WA} = 3 \text{ dB}$

Να φοράτε ωτοασπίδες!

Ολικές τιμές κραδασμών (διανυσματικό άθροισμα τριών κατευθύνσεων) υπολογισμένες κατά EN 60745:

Συνολική τιμή κραδασμών:

Πριόνισμα μοριοσανίδων $a_{h,B} = 10,2 \text{ m/s}^2$

Αβειαιότητα $K = 1,5 \text{ m/s}^2$

Πριόνισμα μεταλλικών ελασμάτων $a_{h,M} = 11,9 \text{ m/s}^2$

Αβειαιότητα $K = 1,5 \text{ m/s}^2$

ΠΡΟΕΙΔΟΠΟΙΗΣΗ!

- Το αναφερόμενο σε αυτές τις οδηγίες επίπεδο κραδασμών έχει μετρηθεί σύμφωνα με μια τυποποιημένη στο EN 60745 διαδικασία μέτρησης και μπορεί να χρησιμοποιείται για τη σύγκριση συσκευών. Η αναφερόμενη τιμή εκπομπής κραδασμών μπορεί επίσης να χρησιμοποιείται για μια αρχική εκτίμηση της έκθεσης. Το επίπεδο κραδασμών θα αλλάξει σύμφωνα με τη χρήση του ηλεκτρικού εργαλείου και σε ορισμένες περιπτώσεις μπορεί να βρίσκεται πάνω από την αναφερόμενη σε αυτές τις οδηγίες τιμή. Το φορτίο κραδασμών θα μπορούσε να υποτιμηθεί, εάν το ηλεκτρικό εργαλείο χρησιμοποιείται τακτικά με αυτό τον τρόπο.

ΥΠΟΔΕΙΞΗ

- Προσπαθείτε να κρατάτε την επιβάρυνση λόγω δονήσεων όσο το δυνατόν μικρότερη. Παραδειγματικά μέτρα μείωσης της επιβάρυνσης λόγω δονήσεων είναι η χρήση γαντιών κατά τη χρήση του εργαλείου και ο περιορισμός του χρόνου εργασίας. Εδώ πρέπει να συνυπολογίζονται όλα τα μέρη του κύκλου εργασίας (παραδείγματος χάριν χρόνοι, κατά τους οποίους το ηλεκτρικό εργαλείο είναι απενεργοποιημένο, και χρόνοι, κατά τους οποίους είναι μεν ενεργοποιημένο, αλλά λειτουργεί χωρίς φορτίο).



Γενικές υποδείξεις ασφαλείας για ηλεκτρικά εργαλεία

ΠΡΟΕΙΔΟΠΟΙΗΣΗ!

- Διαβάστε όλες τις υποδείξεις ασφαλείας και τις οδηγίες. Παραλείψεις κατά την πήρηση των υποδείξεων ασφαλείας και των οδηγιών μπορούν να προκαλέσουν ηλεκτροπληξία, πυρκαγιά και/ή σοβαρούς τραυματισμούς.

Φυλάξτε όλες τις υποδείξεις ασφαλείας και τις οδηγίες για το μέλλον.

Ο χρησιμοποιούμενος σε αυτές τις υποδείξεις ασφαλείας όρος "Ηλεκτρικό εργαλείο" αναφέρεται σε ηλεκτρικά εργαλεία (με καλώδιο) που λειτουργούν με ρεύμα και σε ηλεκτρικά εργαλεία (χωρίς καλώδιο) που λειτουργούν μέσω συσσωρευτή.

1. Ασφάλεια στο χώρο εργασίας

- Διατηρείτε το χώρο εργασίας σας καθαρό και καλά φωτισμένο. Η ακαταστασία και οι μη φωτισμένοι χώροι εργασίας μπορούν να οδηγήσουν σε ατυχήματα.
- Μην εργάζεστε με το ηλεκτρικό εργαλείο σε περιβάλλον όπου υπάρχει κίνδυνος έκρηξης, εύφλεκτα υγρά, αέρια ή σκόνες. Τα ηλεκτρικά εργαλεία δημιουργούν σπινθήρες, οι οποίοι μπορούν να προκαλέσουν ανάφλεξη στη σκόνη ή στους ατμούς.
- Κρατάτε τα παιδιά και άλλα άτομα μακριά κατά τη χρήση του ηλεκτρικού εργαλείου. Σε περίπτωση διάσπασης της προσοχής μπορεί να χάσετε τον έλεγχο της συσκευής.

2. Ηλεκτρική ασφάλεια

- Το βύσμα σύνδεσης του ηλεκτρικού εργαλείου πρέπει να ταιριάζει στην πρίζα. Το βύσμα δεν επιτρέπεται να τροποποιηθεί με κανέναν τρόπο. Μην χρησιμοποιείτε βύσματα ανταπόρων μαζί με γειωμένα ηλεκτρικά εργαλεία. Τα βύσματα που δεν έχουν τροποποιηθεί και οι κατάλληλες πρίζες μειώνουν τον κίνδυνο ηλεκτροπληξίας.

- β) Αποφεύγετε τη σωματική επαφή με γειωμένες επιφάνειες, όπως σωλήνες, θερμαντικά σώματα, εστίες και ψυγεία. Υπάρχει αυξημένος κίνδυνος λόγω ηλεκτροπληξίας όταν το σώμα σας είναι γειωμένο.
- γ) Κρατάτε τα ηλεκτρικά εργαλεία μακριά από βροχή ή υγρασία. Η διείσδυση νερού σε μια ηλεκτρική συσκευή αυξάνει τον κίνδυνο ηλεκτροπληξίας.
- δ) Μη χρησιμοποιείτε το καλώδιο άσκοπα, π.χ. για να μεταφέρετε το ηλεκτρικό εργαλείο, να το κρεμάσετε ή για να τραβήξετε το βύσμα από την πρίζα. Κρατάτε το καλώδιο μακριά από υψηλές θερμοκρασίες, λάδια, αιχμηρές άκρες ή κινούμενα τμήματα της συσκευής. Τα φθαρμένα ή μπερδεμένα καλώδια αυξάνουν τον κίνδυνο ηλεκτροπληξίας.
- ε) Όταν εργάζεστε με ένα ηλεκτρικό εργαλείο σε εξωτερικό χώρο, χρησιμοποιείτε μόνο καλώδια επέκτασης, τα οποία έχουν εγκριθεί για εξωτερικούς χώρους. Η χρήση κατάλληλου καλωδίου επέκτασης για εξωτερικό χώρο μειώνει τον κίνδυνο ηλεκτροπληξίας.
- στ) Εάν δεν μπορεί να αποφευχθεί η λειτουργία του ηλεκτρικού εργαλείου σε υγρό περιβάλλον, χρησιμοποιείτε διακόπτη ασφαλείας. Η χρήση διακόπτη ασφαλείας μειώνει τον κίνδυνο ηλεκτροπληξίας.

3. Ασφάλεια ατόμων

- α) Να είστε πάντα προσεκτικοί, προσέχετε τι κάνετε και χρησιμοποιείτε τη λογική όταν εργάζεστε με ένα ηλεκτρικό εργαλείο. Μη χρησιμοποιείτε ηλεκτρικά εργαλεία εάν είστε κουρασμένοι ή υπό την επήρεια ναρκωτικών, αλκοόλ ή φαρμάκων. Ένα μόνο λεπτό απροσεξίας κατά τη χρήση του ηλεκτρικού εργαλείου αρκεί για να οδηγήσει σε σοβαρούς τραυματισμούς.
- β) Φοράτε ατομικό προστατευτικό εξοπλισμό και πάντα γυαλιά προστασίας. Όταν φοράτε ατομικό προστατευτικό εξοπλισμό, όπως μάσκα για τη σκόνη, αντιολισθητικά υποδήματα ασφαλείας, κράνος ή προστασία για την ακοή, ανάλογα με το είδος και τη χρήση του ηλεκτρικού εργαλείου, μειώνεται ο κίνδυνος τραυματισμών.
- γ) Αποφεύγετε μια μη ηθελημένη θέση σε λειτουργία. Βεβαιώνεστε ότι το ηλεκτρικό εργαλείο έχει απενεργοποιηθεί, προτού το συνδέσετε στην τροφοδοσία ρεύματος και/ή το συσσωρευτή, το σηκώσετε ή το μεταφέρετε. Όταν μεταφέρετε το ηλεκτρικό εργαλείο και έχετε το δάχτυλο στο διακόπτη ή εάν έχετε συνδέσει την ήδη ενεργοποιημένη συσκευή στην παροχή ρεύματος, αυτό μπορεί να οδηγήσει σε ατυχήματα.
- δ) Απομακρύνετε εργαλεία ρύθμισης ή μηχανικά κλειδιά πριν ενεργοποιήσετε το ηλεκτρικό εργαλείο. Ένα εργαλείο ή κλειδί, το οποίο βρίσκεται σε ένα περιστρεφόμενο τμήμα της συσκευής, μπορεί να οδηγήσει σε τραυματισμούς.
- ε) Αποφεύγετε μια λάθος στάση του σώματος. Φροντίστε για μια ασφαλή στάση και διατηρείτε πάντα την ισορροπία. Έτσι μπορείτε να ελέγχετε το ηλεκτρικό εργαλείο καλύτερα σε μη αναμενόμενες καταστάσεις.
- στ) Φοράτε κατάλληλο ρουχισμό. Μη φοράτε μακριά ρούχα ή κοσμήματα. Κρατάτε τα μαλλιά, τα ρούχα και τα γάντια μακριά από κινούμενα τμήματα. Τα χαλαρά ρούχα, τα κοσμήματα ή τα μακριά μαλλιά μπορούν να πιαστούν από κινούμενα τμήματα.
- ζ) Εάν μπορούν να συναρμολογηθούν διατάξεις απορρόφησης και συλλογής σκόνης, βεβαιώνεστε ότι αυτές έχουν συνδεθεί και χρησιμοποιούνται σωστά. Η χρήση μιας διάταξης απορρόφησης σκόνης μπορεί να μειώσει τους κινδύνους από τη σκόνη.

4. Χρήση και χειρισμός του ηλεκτρικού εργαλείου

- α) Μην υπερφορτώνετε τη συσκευή. Χρησιμοποιείτε για την εργασία σας το αντίστοιχο ηλεκτρικό εργαλείο. Με το κατάλληλο ηλεκτρικό εργαλείο εργάζεστε καλύτερα και ασφαλέστερα στο δοθέν πεδίο απόδοσης.
- β) Μη χρησιμοποιείτε ηλεκτρικά εργαλεία, των οποίων ο διακόπτης είναι ελαττωματικός. Ένα ηλεκτρικό εργαλείο, το οποίο δεν μπορεί πλέον να ενεργοποιηθεί ή απενεργοποιηθεί, είναι επικίνδυνο και πρέπει να επισκευαστεί.
- γ) Τραβάτε το βύσμα από την πρίζα και/ή απομακρύνετε το συσσωρευτή πριν διεξάγετε ρυθμίσεις στη συσκευή, πριν αλλάξετε εξαρτήμα-

τα ή πριν φυλάξετε τη συσκευή. Αυτό το μέτρο ασφαλείας εμποδίζει τη μη ηθελημένη εκκίνηση του ηλεκτρικού εργαλείου.

- δ) Φυλάτε τα μη χρησιμοποιούμενα ηλεκτρικά εργαλεία εκτός εμβέλειας των παιδιών. Μην επιτρέπετε να χρησιμοποιούν τη συσκευή άτομα, τα οποία δεν έχουν εξοικειωθεί μαζί της ή δεν έχουν διαβάσει αυτές τις οδηγίες. Τα ηλεκτρικά εργαλεία είναι επικίνδυνα όταν χρησιμοποιούνται από άπειρα άτομα.
- ε) Φροντίζετε τα ηλεκτρικά εργαλεία με προσοχή. Ελέγχετε εάν τα κινούμενα τμήματα λειτουργούν σωστά και δεν κολλάνε, εάν κάποια μέρη έχουν σπάσει ή παρουσιάζουν τέτοια βλάβη, ώστε να επηρεάζεται η λειτουργία του ηλεκτρικού εργαλείου. Τα εξαρτήματα με βλάβη πρέπει να επισκευάζονται πριν από τη χρήση της συσκευής. Η απία πολλών ατυχημάτων οφείλεται στην κακή συντήρηση των ηλεκτρικών εργαλείων.
- στ) Διατηρείτε τα εργαλεία κοπής αιχμηρά και καθαρά. Τα προσεκτικά φροντισμένα εργαλεία κοπής με αιχμηρές ακμές κοπής κολλάνε λιγότερο και είναι ευκολότερα στο χειρισμό.
- ζ) Χρησιμοποιείτε το ηλεκτρικό εργαλείο, τα εξαρτήματα, τα εργαλεία χρήσης, κλπ., σύμφωνα με αυτές τις οδηγίες. Λαμβάνετε υπόψη τις συνθήκες εργασίας και την προς διεξαγωγή ενέργεια. Η χρήση ηλεκτρικών εργαλείων για διαφορετικές από τις προβλεπόμενες χρήσεις μπορεί να οδηγήσει σε επικίνδυνες καταστάσεις.

5. Σέρβις

- α) Το ηλεκτρικό σας εργαλείο πρέπει να επισκευάζεται μόνο από εξειδικευμένο ειδικό προσωπικό και μόνο με γνήσια ανταλλακτικά. Έτσι διατηρείται η ασφάλεια του ηλεκτρικού εργαλείου.

Συγκεκριμένες υποδείξεις ασφαλείας για σέγες

- Πιάνετε το ηλεκτρικό εργαλείο από τις μονωμένες λαβές όταν διεξάγετε εργασίες, κατά τις οποίες το ηλεκτρικό εργαλείο μπορεί να συναντήσει κρυμμένους αγωγούς ρεύματος ή το ίδιο το καλώδιο δικτύου. Η επαφή με έναν ρευματοφόρο αγωγό θέτει υπό τάση ακόμη και μεταλλικά τμήματα της συσκευής, προκαλώντας ηλεκτροπληξία.

- Κρατάτε τα χέρια σας μακριά από την περιοχή πριονίσματος. Μην πιάνετε κάτω από το τεμάχιο επεξεργασίας. Σε περίπτωση επαφής με τη λεπίδα υπάρχει κίνδυνος τραυματισμού.
- Κρατάτε τα χέρια σας μακριά από την ανυψωτική ράβδο και το δίσκο ταχείας σύσφιξης. Σε περίπτωση επαφής με τα στοιχεία αυτά υπάρχει κίνδυνος σύνθλιψης.
- Οδηγείτε το ηλεκτρικό εργαλείο προς το τεμάχιο επεξεργασίας μόνο όταν αυτό είναι ενεργοποιημένο. Αλλιώς υπάρχει κίνδυνος αντεπιστροφής.
- Η βάση **8** πρέπει να εφαρμόζει κατά το πριόνισμα.
- Μετά το τέλος της εργασίας, απενεργοποιείτε το ηλεκτρικό εργαλείο και απομακρύνετε τη λεπίδα **15** από την τομή μόνο αφού έχει ακινητοποιηθεί. Έτσι, αποφεύγετε πιθανή αντεπιστροφή και μπορείτε να αποθηκεύσετε το ηλεκτρικό εργαλείο με ασφάλεια.
- Χρησιμοποιείτε πάντα λεπίδες που δεν έχουν υποστεί φθορά και λειτουργούν άσπρα. Τυχόν στραβωμένες και στομωμένες λεπίδες μπορεί να σπάσουν ή να προκαλέσουν αντεπιστροφή.
- Μετά την απενεργοποίηση, μην ακινητοποιείτε τη λεπίδα **15** πιέζοντάς τη στο πλάι. Η λεπίδα **15** μπορεί να καταστραφεί, να σπάσει ή να προκαλέσει αντεπιστροφή.
- Ασφαλιζετε το τεμάχιο επεξεργασίας. Για να σταθεροποιήσετε το τεμάχιο επεξεργασίας χρησιμοποιείτε διατάξεις σύσφιξης/μέγγενη. Έτσι, συγκρατείται με μεγαλύτερη ασφάλεια από ότι με το χέρι.
- Απομακρύνετε το καλώδιο δικτύου από τη συσκευή, οδηγώντας το πάντα προς τα πίσω.
- Μην επεξεργάζεστε υλικά ή επιφάνειες με υγρασία.
- Κίνδυνος λόγω σκόνης! Σε περιπτώσεις μακράς επεξεργασίας ξύλου και κυρίως επεξεργασίας υλικών, κατά την οποία δημιουργούνται επικίνδυνες για την υγεία σκόνες, συνδέετε τη συσκευή σε κατάλληλη διάταξη απορρόφησης σκόνης.
- Φοράτε μάσκα προστασίας από τη σκόνη!
- Φροντίζετε για επαρκή αερισμό.



ΠΡΟΕΙΔΟΠΟΙΗΣΗ! Προστατεύεστε από την ακτινοβολία λέιζερ:



P max.: < 1 mW • λ: 650 nm • EN 60825-1:2014

- Μην κοιτάτε απευθείας στην ακτίνα λέιζερ ή στο άνοιγμα από το οποίο εξέρχεται.

⚠ ΠΡΟΕΙΔΟΠΟΙΗΣΗ!

- ▶ Το κοίταγμα του στομίου εξόδου της ακτίνας με οπτικά εργαλεία (π.χ. με φακό, μεγεθυντικούς φακούς, κτλ.) συνδέεται με κινδύνους για τα μάτια.
- ▶ Προσοχή! Εάν χρησιμοποιούνται διαφορετικές από τις εδώ αναφερόμενες διατάξεις χειρισμών ή ρύθμισης ή εάν διεξάγονται άλλες διαδικασίες, αυτό μπορεί να οδηγήσει σε επικίνδυνη επίδραση της ακτινοβολίας.
- Ποτέ μην κατευθύνετε την ακτίνα λέιζερ σε ανακλώμενες επιφάνειες, άτομα ή ζώα. Μία και μόνο σύντομη οπτική επαφή με την ακτίνα λέιζερ μπορεί να προκαλέσει βλάβες στα μάτια.

Γνήσια εξαρτήματα/συμπληρωματικές συσκευές

- Χρησιμοποιείτε μόνο εξαρτήματα και συμπληρωματικές συσκευές που αναφέρονται στις οδηγίες χρήσης ή που οι υποδοχές τους είναι συμβατές με τη συσκευή.

Πληροφορίες σχετικά με τις λεπίδες

Ο βασικός εξοπλισμός της σέγας Parkside περιλαμβάνει ήδη λεπίδες για βασικές εφαρμογές σε ξύλο και μέταλλο.

- 3 λεπίδες για γενικές κοπές ξύλου
- 1 λεπίδα για ελαφρά μέταλλα έως 3 χιλ.

ΥΠΟΔΕΙΞΗ

- ▶ Μπορείτε να χρησιμοποιήσετε κάθε άλλη λεπίδα, υπό την προϋπόθεση ότι διαθέτει την κατάλληλη υποδοχή (μονός εκκεντροφόρος άξονας).

Τύπος λεπίδας

κατάλληλος	ακατάλληλος

Θέση σε λειτουργία

Τοποθέτηση/Αλλαγή λεπίδας

Πριν από όλες τις εργασίες στη συσκευή, τραβάτε το βύσμα από την πρίζα.

- ◆ Απομακρύνετε το προστατευτικό κάλυμμα **18**.
- ◆ Περιστρέψτε το δίσκο ταχείας σύσφιξης **19** και κρατήστε τον έτσι.
- ◆ Πιέστε τέρμα την απαιτούμενη λεπίδα μέσα στο δίσκο ταχείας σύσφιξης **19**.
- ◆ Αφήστε ελεύθερο το δίσκο ταχείας σύσφιξης **19**. Θα πρέπει να επιστρέφει στην αρχική θέση του. Η λεπίδα είναι πλέον ασφαλισμένη.
- **ΠΡΟΣΟΧΗ!** Οι οδοντώσεις της λεπίδας πρέπει τότε να δείχνουν προς τα εμπρός (βλ. αναδιπλούμενη σελίδα)!
- ◆ Τοποθετήστε πάλι το προστατευτικό κάλυμμα **18** επάνω στη συσκευή.

Τοποθέτηση παράλληλου αναστολέα

Ο παράλληλος αναστολέας **13** μπορεί να στερεωθεί αριστερά ή δεξιά της συσκευής.

- ◆ Λύστε τις δύο βίδες ρύθμισης των στομιών εισαγωγής **15**.
- ◆ Σπρώξτε τον παράλληλο αναστολέα **13** μέσα στα στόμια εισαγωγής **16**.
- ◆ Βιδώστε πάλι καλά τις δύο βίδες ρύθμισης.

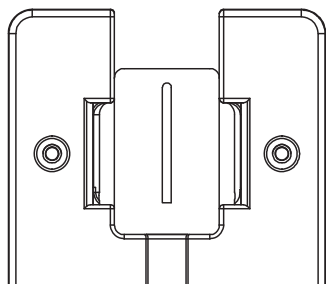
Σύνδεση διάταξης απορρόφησης ρινιδιών

- ◆ Εισάγετε το εξάρτημα συστολής **6** στο στόμιο αναρρόφησης **7** έως ότου κουμπώσει καλά.
- ◆ Συνδέστε μια εγκεκριμένη διάταξη απορρόφησης σκόνης και ρινιδιών στο εξάρτημα συστολής **6** ή απευθείας στο αναρρόφηση **7**.

Τοποθέτηση προστασίας ροκανιδιών

Η προστασία ροκανιδιών **20** μπορεί να εμποδίσει σκίσιμο της επιφάνειας κατά το πριόνισμα του ξύλου. Η προστασία ροκανιδιών **20** μπορεί να χρησιμοποιείται μόνο σε συγκεκριμένους τύπους λεπίδων πριονιού και μόνο σε μια γωνία κοπής 0°.

- ♦ Πιέστε την προστασία ροκανιδιών **20** από κάτω στη βάση **9** (εγκοπή προς τα επάνω).



Χειρισμός

Ρύθμιση γωνίας κοπής

- ♦ Ωθήστε το μοχλό τάνυσης **4** προς τα εμπρός και τραβήξτε τη βάση **8** προς τα πίσω.
- ♦ Ρυθμίστε τη γωνία κοπής 0°/22,5°/45° με τη βοήθεια των σημάνσεων στη βάση **8**. Σπρώξτε τη βάση **8** προς τα εμπρός, ώστε ο πείρος ασφάλισης να ασφαλίσει στην οδόντωση **12**.
- ♦ Ωθήστε το μοχλό τάνυσης **4** προς τα πίσω.

ΥΠΟΔΕΙΞΗ

- Σε μια γωνία κοπής 22,5°/45°, πρέπει προηγουμένως να απομακρυνθεί το προστατευτικό κάλυμμα **18**! Εάν η πλάκα βάσης **8** δεν μπορεί να κλειδωθεί καλά από το μοχλό σύσφιξης **4**, αφαιρέστε το βύσμα εξόρυξη **7**, στη συνέχεια, σφίξτε τη βίδα σύσφιξης **12a** με εξαγωγικό κλειδί.

Ρύθμιση αριθμού εμβολισμών

- ♦ Με τον τροχίσκο προεπιλογής αριθμού εμβολισμών **3** ρυθμίστε τον επιθυμητό αριθμό εμβολισμών.

Ρύθμιση εμβολισμού ταλάντωσης

- ♦ Με το διακόπτη εμβολισμού ταλάντωσης **11** μπορείτε να ρυθμίσετε την ταλαντούμενη κίνηση της λεπίδας **15**. Χωρίς ταλαντούμενη κίνηση (Θέση «0») οι ακμές κοπής είναι λεπτές και καθαρές. Στα λεπτά τεμάχια επεξεργασίας απενεργοποιείτε τον εμβολισμό ταλάντωσης. Όταν ο εμβολισμός ταλάντωσης είναι ενεργοποιημένος (Θέση 1-3) επιτυγχάνετε ολοένα γρηγορότερη πρόοδο εργασιών.

Ενεργοποίηση / Απενεργοποίηση

Ενεργοποίηση συσκευής:

Ωθήστε το διακόπτη ON/OFF **2** στη θέση «1».

Απενεργοποίηση συσκευής:

Ωθήστε το διακόπτη ON/OFF **2** στη θέση «0».

Ενεργοποίηση/απενεργοποίηση λείζερ / λυχνίας εργασίας

Διακόπτης ON/OFF:

Πιέστε το διακόπτη ON/OFF **21**, έως ότου ενεργοποιηθεί η επιθυμητή λειτουργία.

ΛΕΙΖΕΡ και ΛΥΧΝΙΑ ΕΡΓΑΣΙΑΣ →
ΛΥΧΝΙΑ ΕΡΓΑΣΙΑΣ → ΛΕΙΖΕΡ →
ΑΠΕΝΕΡΓΟΠΟΙΗΣΗ

Λειτουργία εκφύσησης ρινιδιών

Ενεργοποίηση λειτουργίας εκφύσησης ρινιδιών:

- ♦ Σπρώξτε το διακόπτη διάταξης εκφύσησης ρινιδιών **10** προς τα .

Υποστήριξη λειτουργίας απορρόφησης:

- ♦ Σπρώξτε το διακόπτη διάταξης εκφύσησης ρινιδιών **10** προς τα «0».

Συντήρηση και καθαρισμός



ΠΡΟΕΙΔΟΠΟΙΗΣΗ! ΚΙΝΔΥΝΟΣ ΤΡΑΥΜΑΤΙΣΜΟΥ! Πριν από όλες τις εργασίες απενεργοποιείτε τη συσκευή και τραβάτε το βύσμα από την πρίζα.

- Η συσκευή πρέπει να είναι πάντα καθαρή, στεγνή και ελεύθερη από λάδια ή λίπος.
- Για τον καθαρισμό του περιβλήματος χρησιμοποιείτε ένα στεγνό πανί.

⚠ ΠΡΟΕΙΔΟΠΟΙΗΣΗ!

- Εάν το καλώδιο σύνδεσης αυτής της συσκευής παρουσιάσει βλάβη, πρέπει να αντικατασταθεί από τον κατασκευαστή ή το τμήμα εξυπηρέτησης πελατών ή ένα αντιστοίχως εξειδικευμένο άτομο, ώστε να αποφεύγονται κίνδυνοι.
- Αντικαθιστάτε τη λεπίδα **B**, μόλις η οδόντωση της στομώσει και συνεπώς δεν είναι πλέον εφικτή η απρόσκοπτη εργασία πριονίσματος.
- Ο καθαρισμός της συσκευής πρέπει να διεξάγεται μετά το τέλος της εργασίας πριονίσματος.
- Απομακρύνετε ακαθαρσίες (π.χ. από πριονίδια). Καθαρίζετε, εάν χρειάζεται, την υποδοχή των λεπίδων με ένα πινέλο ή με πεπιεσμένο αέρα.

Εγγύηση της **Kompnass Handels GmbH**

Αξιότιμη πελάτισσα, αξιότιμε πελάτη,

Η παρούσα συσκευή διατίθεται 3 χρόνια εγγύηση από την ημερομηνία αγοράς. Στην περίπτωση ελλείψεων στο προϊόν έχετε νομικά δικαιώματα έναντι του πωλητή του προϊόντος. Αυτά τα νομικά δικαιώματα δεν περιορίζονται μέσω της κατωτέρω αναφερόμενης εγγύησης.

Προϋποθέσεις εγγύησης

Η περίοδος εγγύησης ξεκινάει κατά την ημερομηνία αγοράς. Φυλάξτε καλά την πρωτότυπη απόδειξη ταμείου. Αυτό το έγγραφο απαιτείται ως απόδειξη για την αγορά.

Εάν, εντός τριών ετών από την ημερομηνία αγοράς, προκύψει στο προϊόν αυτό σφάλμα υλικού ή κατασκευής, κατόπιν κρίσης μας, επισκευάζουμε ή αντικαθιστούμε το προϊόν για εσάς δωρεάν.

Η παρούσα εγγύηση προϋποθέτει ότι εντός της περιόδου τριών ετών η ελαττωματική συσκευή και η απόδειξη αγοράς (απόδειξη ταμείου) θα υποβληθούν μαζί με σύντομη περιγραφή σχετικά με το που βρίσκεται η έλλειψη και πότε προέκυψε.

Εάν το ελάττωμα καλύπτεται από την εγγύησή μας, θα λάβετε το επισκευασμένο ή ένα νέο προϊόν.

Περίοδος εγγύησης και νομικές απαιτήσεις λόγω ελλείψεων

Ο χρόνος εγγύησης δεν παρατείνεται μέσω της παροχής εγγύησης. Αυτό ισχύει και για εξαρτήματα, τα οποία έχουν αντικατασταθεί και επισκευαστεί. Ενδεχόμενες ήδη υπάρχουσες ζημιές και ελλείψεις κατά την αγορά πρέπει να γνωστοποιούνται αμέσως μετά την αποσυσκευασία. Μετά τη λήξη του χρόνου εγγύησης, τυχόν εμφανιζόμενες επισκευές χρεώνονται.

Εύρος εγγύησης

Η συσκευή κατασκευάστηκε σύμφωνα με αυστηρές οδηγίες ποιότητας και ελέγχθηκε προσεκτικά πριν από την αποστολή.

Η απόδοση εγγύησης ισχύει για σφάλματα υλικού ή κατασκευής. Η παρούσα εγγύηση δεν εκτείνεται σε τμήματα του προϊόντος, τα οποία εκτίθενται σε φυσιολογική φθορά και έτσι μπορεί να θεωρούνται εξαρτήματα φθοράς ή για ζημιές σε εύθραυστα εξαρτήματα, π.χ. διακόπτες, συσσωρευτές, ταψιά ή εξαρτήματα που είναι κατασκευασμένα από γυαλί.

Η παρούσα εγγύηση ακυρώνεται εάν προκληθεί ζημιά στο προϊόν, εάν δεν γίνεται σωστή χρήση ή συντήρηση. Για μια σωστή χρήση του προϊόντος πρέπει να τηρούνται επακριβώς οι αναφερόμενες υποδείξεις στις οδηγίες χειρισμού. Σκοποί χρήσης και χειρισμοί που δεν συνιστώνται ή για τους οποίους υπάρχει προειδοποίηση πρέπει απαραίτητα να αποφεύγονται.

Το προϊόν προορίζεται μόνο για ιδιωτική και όχι για επαγγελματική χρήση. Σε περίπτωση κακής μεταχείρισης και ακατάλληλης χρήσης, χρήσης βίας και παρεμβάσεων, οι οποίες δεν διεξήχθησαν από το εξουσιοδοτημένο μας τμήμα σέρβις, η εγγύηση παύει να ισχύει.

Διαδικασία σε περίπτωση εγγύησης

Για την εξασφάλιση γρήγορης επεξεργασίας του ζητήματός σας, τηρείτε τις ακόλουθες υποδείξεις:

- Για όλες τις ερωτήσεις έχετε έτοιμη την απόδειξη αγοράς και τον κωδικό προϊόντος (π.χ. IAN 12345) ως απόδειξη για την αγορά.
- Μπορείτε να βρείτε τον κωδικό προϊόντος στην πινακίδα τύπου, χαραγμένο, στην πρώτη σελίδα των οδηγιών σας (κάτω αριστερά) ή σε αυτοκόλλητο στην πίσω ή κάτω πλευρά.
- Εάν προκύψουν σφάλματα λειτουργίας ή άλλες ελλείψεις, επικοινωνήστε κατ' αρχήν με το ακόλουθο αναφερόμενο τμήμα σέρβις **τηλεφωνικά** ή **με E-Mail**.
- Ένα προϊόν που θεωρείται ελαττωματικό μπορείτε να το αποστείλετε ατελώς στην αναφερόμενη διεύθυνση του σέρβις επισυνάπτοντας την απόδειξη αγοράς (απόδειξη ταμείου) και αναφέροντας που βρίσκεται η έλλειψη και τότε εμφανίστηκε.



Στην ιστοσελίδα www.lidl-service.com μπορείτε να κατεβάσετε το παρόν και πολλά άλλα εγχειρίδια, βίντεο προϊόντων και λογισμικό.

Σέρβις

GR Σέρβις Ελλάδα

Tel.: 801 5000 019 (0,03 EUR/Min.)

E-Mail: kompnass@lidl.gr

IAN 282403

CY Σέρβις Κύπρος

Tel.: 8009 4409

E-Mail: kompnass@lidl.com.cy

IAN 282403

Εισαγωγέας

Η ακόλουθη διεύθυνση δεν είναι διεύθυνση σέρβις. Επικοινωνήστε, κατ' αρχήν, με την αναφερόμενη υπηρεσία σέρβις.

KOMPERNASS HANDELS GMBH

BURGSTRASSE 21

DE-44867 BOCHUM

GERMANIA

www.kompnass.com

Απόρριψη



Η συσκευασία αποτελείται από φιλικά προς το περιβάλλον υλικά, τα οποία μπορείτε να απορρίψετε μέσω των τοπικών σημείων ανακύκλωσης.



Μην απορρίπτετε τα ηλεκτρικά εργαλεία στα οικιακά απορρίμματα!

Σύμφωνα με την Ευρωπαϊκή Οδηγία 2012/19/EU, τα χρησιμοποιημένα ηλεκτρικά εργαλεία πρέπει να συλλέγονται χωριστά και να οδηγούνται σε μια φιλική για το περιβάλλον επαναχρησιμοποίηση.

Για τις δυνατότητες απόρριψης των αχρηστευμένων συσκευών ενημερώσεστε από τη διαχείριση της κοινότητας ή της πόλης σας.

Μετάφραση της Πρωτότυπης Δήλωση συμμόρφωσης

Εμείς, η KOMPENASS HANDELS GMBH, Υπεύθυνος τεκμηρίωσης: Κύριος Semi Uguzlu, BURGSTR. 21, DE - 44867 BOCHUM, ΓΕΡΜΑΝΙΑ, δηλώνουμε δια της παρούσης ότι το παρόν προϊόν συμφώνει με τα ακόλουθα πρότυπα, τα κανονιστικά έγγραφα και τις οδηγίες της ΕΚ: **Οδηγία περί μηχανών (2006/42/EC)**

Ηλεκτρομαγνητική συμβατότητα (2014/30/EU)

Οδηγία RoHS (Σχετικά με τον περιορισμό χρήσης συγκεκριμένων επικίνδυνων ουσιών στον ηλεκτρικό και ηλεκτρονικό εξοπλισμό) (2011/65/EU)*

*Ο κατασκευαστής φέρει αποκλειστική ευθύνη για τη σύνταξη αυτής της δήλωσης συμμόρφωσης. Το ανωτέρω περιγραφόμενο αντικείμενο της δήλωσης πληροί τις προδιαγραφές της οδηγίας 2011/65/EC του Ευρωπαϊκού Κοινοβουλίου και του Συμβουλίου της 8ης Ιουνίου 2011 σχετικά με τον περιορισμό της χρήσης συγκεκριμένων επικίνδυνων υλικών σε ηλεκτρικές και ηλεκτρονικές συσκευές.

Εφαρμοσμένα εναρμονισμένα πρότυπα:

EN 60745-1:2009 / A11: 2010

EN 60745-2-11: 2010

EN 55014-1:2006 / A2: 2011

EN 55014-2:2015

EN 61000-3-2: 2014

EN 61000-3-3: 2013

Ονομασία τύπου του μηχανήματος:

ΣΕΓΑ ΜΠΑΤΑΡΙΑΣ ΜΕ ΤΑΛΑΝΤΩΣΗ

PSTK 800 B2

Έτος κατασκευής: 12-2016

Αύξων αριθμός: IAN 282403

Bochum, 14/12/2016



Semi Uguzlu

- Διευθυντής ποιότητας -

Με την επιφύλαξη τεχνικών αλλαγών υπό την έννοια της συνεχούς ανάπτυξης.

Inhaltsverzeichnis

Einleitung	54
Bestimmungsgemäßer Gebrauch	54
Ausstattung	54
Lieferumfang	54
Technische Daten	54
Allgemeine Sicherheitshinweise für Elektrowerkzeuge	55
1. Arbeitsplatz-Sicherheit	55
2. Elektrische Sicherheit	55
3. Sicherheit von Personen	56
4. Verwendung und Behandlung des Elektrowerkzeugs	56
5. Service	57
Gerätespezifische Sicherheitshinweise für Stichsägen	57
Originalzubehör/-zusatzgeräte	57
Informationen zu Sägeblättern	58
Inbetriebnahme	58
Sägeblatt montieren / wechseln	58
Parallelanschlag montieren	58
Spanabsaugung anschließen	58
Spanreißschutz montieren	58
Bedienung	59
Schnittwinkel einstellen	59
Hubzahl einstellen	59
Pendelhub einstellen	59
Einschalten / Ausschalten	59
Laser / Arbeitslicht ein-/ausschalten	59
Spanblasfunktion	59
Wartung und Reinigung	59
Garantie der Kompernaß Handels GmbH	60
Service	61
Importeur	61
Entsorgung	61
Original-Konformitätserklärung	62

PENDELHUBSTICHSÄGE

PSTK 800 B2

Einleitung



Wir beglückwünschen Sie zum Kauf Ihres neuen Gerätes. Sie haben sich damit für ein hochwertiges Produkt entschieden. Die Bedienungsanleitung ist Teil dieses Produkts. Sie enthält wichtige Hinweise für Sicherheit, Gebrauch und Entsorgung. Machen Sie sich vor der Benutzung des Produkts mit allen Bedien- und Sicherheitshinweisen vertraut. Benutzen Sie das Produkt nur wie beschrieben und für die angegebenen Einsatzbereiche. Händigen Sie alle Unterlagen bei Weitergabe des Produkts an Dritte mit aus.

Bestimmungsgemäßer Gebrauch

Das Gerät ist für gerade und kurvige Schnitte sowie Gehrungsschnitte bis 45° an kantigen Werkstücken aus Kunststoff, Holz und Leichtmetall geeignet. Das Gerät ist ausschließlich für den privaten Gebrauch in trockenen Räumen zugelassen. Beachten Sie die Hinweise zu Sägeblatttypen. Jede andere Verwendung oder Veränderung des Gerätes gilt als nicht bestimmungsgemäß und birgt erhebliche Unfallgefahren. Für aus bestimmungswidriger Verwendung entstandene Schäden übernimmt der Hersteller keine Haftung.

Ausstattung

- 1 Knaufgriff
- 2 EIN-/AUS-Schalter
- 3 Stellrad Hubzahlvorwahl
- 4 Spannhebel
- 5 Netzkabel
- 6 Reduzierstück
- 7 Absaugstutzen
- 8 Fußplatte
- 9 Gleitschuh
- 10 Schalter Späneblasvorrichtung
- 11 Pendelhubschalter
- 12 Verzahnung
- 12a Klemmschraube
- 13 Parallelanschlag
- 14 Führungsrolle
- 15 Sägeblatt
- 16 Einschuböffnungen (jeweils inkl. Feststellschraube)
- 17 Schutzbügel
- 18 Schutzhaube

- 19 Schnellspannfutter
- 20 Spanreißschutz
- 21 EIN-/AUS-Schalter Laser/Arbeitslicht

Lieferumfang

- 1 Pendelhubstichsäge inkl. Absaugstutzen
- 1 Parallelanschlag
- 1 Reduzierstück
- 1 Betriebsanleitung
- 3 Sägeblätter zur Holzbearbeitung
- 1 Sägeblatt zur Metallbearbeitung

Technische Daten

Pendelhubstichsäge: Parkside PSTK 800 B2

Nennspannung:	230 V ~ 50 Hz (Wechselstrom)
Nennaufnahme:	800 W
Leerlauf-Hubzahl:	n_0 : 0 - 3100 min ⁻¹
Schnitttiefe:	Holz/Metall: 80/8 mm
Pendelhub:	3 Stufen und Feinschnitt-Einstellung
Schrägschnitte:	0°/22,5°/45° links/rechts
Schutzklasse:	II/□ (Doppelisolierung)

Geräusch- und Vibrationsinformationen:

Messwert für Geräusch ermittelt entsprechend EN 60745. Der A-bewertete Geräuschpegel des Elektrowerkzeugs beträgt typischerweise:

Geräuschemissionswert:

Schalldruckpegel:	$L_{pA} = 90$ dB (A)
Unsicherheit K:	$K_{pA} = 3$ dB
Schalleistungspegel:	$L_{wA} = 101$ dB (A)
Unsicherheit K:	$K_{wA} = 3$ dB

Gehörtschutz tragen!

Schwingungsgesamtwerte (Vektorsumme dreier Richtungen) ermittelt entsprechend EN 60745:

Schwingungsgesamtwert:

Sägen von Spannplatten $a_{h,B} = 10,2$ m/s ²
Unsicherheit K = 1,5 m/s ²
Sägen von Metallblech $a_{h,M} = 11,9$ m/s ²
Unsicherheit K = 1,5 m/s ²

WARNUNG!

- ▶ Der in diesen Anweisungen angegebene Schwingungspegel ist entsprechend einem in EN 60745 genormten Messverfahren gemessen worden und kann für den Gerätevergleich verwendet werden. Der angegebene Schwingungsemissionswert kann auch zu einer einleitenden Einschätzung der Aussetzung verwendet werden. Der Schwingungspegel wird sich entsprechend dem Einsatz des Elektrowerkzeugs verändern und kann in manchen Fällen über dem in diesen Anweisungen angegebenen Wert liegen. Die Schwingungsbelastung könnte unterschätzt werden, wenn das Elektrowerkzeug regelmäßig in solcher Weise verwendet wird.

HINWEIS

- ▶ Versuchen Sie, die Belastung durch Vibrationen so gering wie möglich zu halten. Beispielhafte Maßnahmen zur Verringerung der Vibrationsbelastung sind das Tragen von Handschuhen beim Gebrauch des Werkzeugs und die Begrenzung der Arbeitszeit. Dabei sind alle Anteile des Betriebszyklus zu berücksichtigen (beispielsweise Zeiten, in denen das Elektrowerkzeug abgeschaltet ist, und solche, in denen es zwar eingeschaltet ist, aber ohne Belastung läuft).



Allgemeine Sicherheitshinweise für Elektrowerkzeuge

WARNUNG!

- ▶ Lesen Sie alle Sicherheitshinweise und Anweisungen. Versäumnisse bei der Einhaltung der Sicherheitshinweise und Anweisungen können elektrischen Schlag, Brand und/oder schwere Verletzungen verursachen.

Bewahren Sie alle Sicherheitshinweise und Anweisungen für die Zukunft auf.

Der in den Sicherheitshinweisen verwendete Begriff „Elektrowerkzeug“ bezieht sich auf netzbetriebene Elektrowerkzeuge (mit Netzkabel) und auf akkubetriebene Elektrowerkzeuge (ohne Netzkabel).

1. Arbeitsplatz-Sicherheit

- Halten Sie Ihren Arbeitsbereich sauber und gut beleuchtet.** Unordnung und unbeleuchtete Arbeitsbereiche können zu Unfällen führen.
- Arbeiten Sie mit dem Elektrowerkzeug nicht in explosionsgefährdeter Umgebung, in der sich brennbare Flüssigkeiten, Gase oder Stäube befinden.** Elektrowerkzeuge erzeugen Funken, die den Staub oder die Dämpfe entzünden können.
- Halten Sie Kinder und andere Personen während der Benutzung des Elektrowerkzeugs fern.** Bei Ablenkung können Sie die Kontrolle über das Gerät verlieren.

2. Elektrische Sicherheit

- Der Anschlussstecker des Elektrowerkzeugs muss in die Steckdose passen. Der Stecker darf in keiner Weise verändert werden.** Verwenden Sie keine Adapterstecker gemeinsam mit schutzgeerdeten Elektrowerkzeugen. Unveränderte Stecker und passende Steckdosen verringern das Risiko eines elektrischen Schlages.
- Vermeiden Sie Körperkontakt mit geerdeten Oberflächen, wie von Rohren, Heizungen, Herden und Kühlschränken.** Es besteht ein erhöhtes Risiko durch elektrischen Schlag, wenn Ihr Körper geerdet ist.
- Halten Sie Elektrowerkzeuge von Regen oder Nässe fern.** Das Eindringen von Wasser in ein Elektrogerät erhöht das Risiko eines elektrischen Schlages.
- Zweckentfremden Sie das Kabel nicht, um das Elektrowerkzeug zu tragen, aufzuhängen oder um den Stecker aus der Steckdose zu ziehen. Halten Sie das Kabel fern von Hitze, Öl, scharfen Kanten oder sich bewegenden Geräteteilen.** Beschädigte oder verwickelte Kabel erhöhen das Risiko eines elektrischen Schlages.
- Wenn Sie mit einem Elektrowerkzeug im Freien arbeiten, verwenden Sie nur Verlängerungskabel, die auch für den Außenbereich zugelassen sind.** Die Anwendung eines für den Außenbereich geeigneten Verlängerungskabels verringert das Risiko eines elektrischen Schlages.

- f) Wenn der Betrieb des Elektrowerkzeuges in feuchter Umgebung nicht vermeidbar ist, verwenden Sie einen Fehlerstromschutzschalter. Der Einsatz eines Fehlerstromschutzschalters vermindert das Risiko eines elektrischen Schlages.

3. Sicherheit von Personen

- a) Seien Sie stets aufmerksam, achten Sie darauf, was Sie tun und gehen Sie mit Vernunft an die Arbeit mit einem Elektrowerkzeug. Benutzen Sie kein Elektrowerkzeug, wenn Sie müde sind oder unter dem Einfluss von Drogen, Alkohol oder Medikamenten stehen. Ein Moment der Unachtsamkeit beim Gebrauch des Elektrowerkzeuges kann zu ernsthaften Verletzungen führen.
- b) Tragen Sie persönliche Schutzausrüstung und immer eine Schutzbrille. Das Tragen persönlicher Schutzausrüstung wie Staubmaske, rutschfeste Sicherheitsschuhe, Schutzhelm oder Gehörschutz, je nach Art und Einsatz des Elektrowerkzeuges, verringert das Risiko von Verletzungen.
- c) Vermeiden Sie eine unbeabsichtigte Inbetriebnahme. Vergewissern Sie sich, dass das Elektrowerkzeug ausgeschaltet ist, bevor Sie es an die Stromversorgung und/oder den Akku anschließen, es aufnehmen oder tragen. Wenn Sie beim Tragen des Elektrowerkzeuges den Finger am Schalter haben oder das Gerät bereits eingeschaltet an die Stromversorgung anschließen, kann dies zu Unfällen führen.
- d) Entfernen Sie Einstellwerkzeuge oder Schraubenschlüssel, bevor Sie das Elektrowerkzeug einschalten. Ein Werkzeug oder Schlüssel, der sich in einem drehenden Geräteteil befindet, kann zu Verletzungen führen.
- e) Vermeiden Sie eine abnormale Körperhaltung. Sorgen Sie für einen sicheren Stand und halten Sie jederzeit das Gleichgewicht. Dadurch können Sie das Elektrowerkzeug in unerwarteten Situationen besser kontrollieren.
- f) Tragen Sie geeignete Kleidung. Tragen Sie keine weite Kleidung oder Schmuck. Halten Sie Haare, Kleidung und Handschuhe fern von sich bewegenden Teilen. Lockere Kleidung, Schmuck oder lange Haare können von sich bewegenden Teilen erfasst werden.

- g) Wenn Staubabsaug- und -auffangeinrichtungen montiert werden können, vergewissern Sie sich, dass diese angeschlossen sind und richtig verwendet werden. Die Verwendung einer Staubabsaugung kann Gefährdungen durch Staub verringern.

4. Verwendung und Behandlung des Elektrowerkzeugs

- a) Überlasten Sie das Gerät nicht. Verwenden Sie für Ihre Arbeit das dafür bestimmte Elektrowerkzeug. Mit dem passenden Elektrowerkzeug arbeiten Sie besser und sicherer im angegebenen Leistungsbereich.
- b) Benutzen Sie kein Elektrowerkzeug, dessen Schalter defekt ist. Ein Elektrowerkzeug, das sich nicht mehr ein- oder ausschalten lässt, ist gefährlich und muss repariert werden.
- c) Ziehen Sie den Stecker aus der Steckdose und/oder entfernen Sie den Akku, bevor Sie Geräteeinstellungen vornehmen, Zubehörteile wechseln oder das Gerät weglegen. Diese Vorsichtsmaßnahme verhindert den unbeabsichtigten Start des Elektrowerkzeuges.
- d) Bewahren Sie unbenutzte Elektrowerkzeuge außerhalb der Reichweite von Kindern auf. Lassen Sie Personen das Gerät nicht benutzen, die mit diesem nicht vertraut sind oder diese Anweisungen nicht gelesen haben. Elektrowerkzeuge sind gefährlich, wenn sie von unerfahrenen Personen benutzt werden.
- e) Pflegen Sie Elektrowerkzeuge mit Sorgfalt. Kontrollieren Sie, ob bewegliche Teile einwandfrei funktionieren und nicht klemmen, ob Teile gebrochen oder so beschädigt sind, dass die Funktion des Elektrowerkzeuges beeinträchtigt ist. Lassen Sie beschädigte Teile vor dem Einsatz des Gerätes reparieren. Viele Unfälle haben ihre Ursache in schlecht gewarteten Elektrowerkzeugen.
- f) Halten Sie Schneidwerkzeuge scharf und sauber. Sorgfältig gepflegte Schneidwerkzeuge mit scharfen Schneidkanten verklemmen sich weniger und sind leichter zu führen.
- g) Verwenden Sie Elektrowerkzeug, Zubehör, Einsatzwerkzeuge usw. entsprechend diesen Anweisungen. Berücksichtigen Sie dabei die

Arbeitsbedingungen und die auszuführende Tätigkeit. Der Gebrauch von Elektrowerkzeugen für andere als die vorgesehenen Anwendungen kann zu gefährlichen Situationen führen.

5. Service

- a) Lassen Sie Ihr Elektrowerkzeug nur von qualifiziertem Fachpersonal und nur mit Original-Ersatzteilen reparieren. Damit wird sichergestellt, dass die Sicherheit des Elektrowerkzeugs erhalten bleibt.

Gerätespezifische Sicherheitshinweise für Stichsägen

- Halten Sie das Elektrowerkzeug an den isolierten Griffflächen, wenn Sie Arbeiten ausführen, bei denen das Elektrowerkzeug verborgene Stromleitungen oder das eigene Netzkabel treffen kann. Der Kontakt mit einer spannungsführenden Leitung kann auch metallene Geräteteile unter Spannung setzen und zu einem elektrischen Schlag führen.
- Halten Sie die Hände vom Sägebereich fern. Greifen Sie nicht unter das Werkstück. Bei Kontakt mit dem Sägeblatt besteht Verletzungsgefahr.
- Halten Sie die Hände von der Hubstange und dem Schnellspannfutter fern. Bei Kontakt mit den Bauteilen besteht Quetschungsgefahr.
- Führen Sie das Elektrowerkzeug nur eingeschaltet gegen das Werkstück. Es besteht sonst die Gefahr eines Rückschlages.
- Achten Sie darauf, dass die Fußplatte **8** beim Sägen aufliegt.
- Schalten Sie nach Beendigung des Arbeitsvorgangs das Elektrowerkzeug aus und ziehen Sie das Sägeblatt **15** erst dann aus dem Schnitt, wenn dieses zum Stillstand gekommen ist. So vermeiden Sie einen Rückschlag und können das Elektrowerkzeug sicher ablegen.
- Verwenden Sie nur unbeschädigte und einwandfreie Sägeblätter. Verbogene und stumpfe Sägeblätter können brechen oder einen Rückschlag verursachen.
- Bremsen Sie das Sägeblatt **15** nach dem Ausschalten nicht durch seitliches Gegendrücken ab. Das Sägeblatt **15** kann beschädigt werden, brechen oder einen Rückschlag verursachen.

- Sichern Sie das Werkstück. Benutzen Sie Spannvorrichtungen/Schraubstock, um das Werkstück festzuhalten. Es ist damit sicherer gehalten, als mit Ihrer Hand.
- Führen Sie das Netzkabel immer nach hinten vom Gerät weg.
- Bearbeiten Sie keine angefeuchteten Materialien oder feuchte Flächen.
- **Gefährdung durch Staub!** Schließen Sie bei längerem Bearbeiten von Holz und insbesondere wenn Materialien bearbeitet werden, bei denen gesundheitsgefährdende Stäube entstehen, das Gerät an eine geeignete Staubabsaugvorrichtung an.
- Tragen Sie eine Staubschutzmaske!
- Sorgen Sie für ausreichende Belüftung.



WARNING! Schützen Sie sich vor Laserstrahlung:



P max.: < 1 mW • λ: 650 nm • EN 60825-1:2014

- Schauen Sie nicht direkt in den Laserstrahl, bzw. in die Öffnung, aus der er austritt.

! WARNING!

- ▶ Das Betrachten des Laserausgangs mit optischen Instrumenten (z.B. Lupe, Vergrößerungsgläsern, u.ä.) ist mit einer Augengefährdung verbunden.
- ▶ Vorsicht! Wenn andere als die hier angegebenen Bedienungs- oder Justiereinrichtungen benutzt oder andere Verfahrensweisen ausgeführt werden, kann dies zu gefährlicher Strahlungseinwirkung führen.

- Richten Sie den Laserstrahl niemals auf reflektierende Flächen, Personen oder Tiere. Bereits ein kurzer Sichtkontakt mit dem Laserstrahl kann zu Augenschäden führen.

Originalzubehör / -zusatzgeräte

- Benutzen Sie nur Zubehör und Zusatzgeräte, die in der Bedienungsanleitung angegeben sind bzw. deren Aufnahme mit dem Gerät kompatibel ist.

Informationen zu Sägeblättern

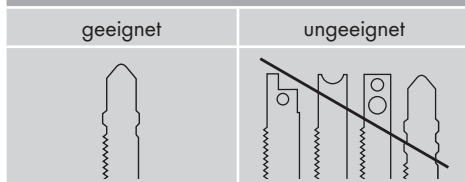
Die Parkside-Grundausrüstung beinhaltet bereits Sägeblätter für Hauptanwendungen in Holz und Metall.

- 3 Sägeblätter für allgemeine Holzschnitte
- 1 Sägeblatt für Leichtmetalle bis 3 mm

HINWEIS

- ▶ Sie können jedes Sägeblatt verwenden, vorausgesetzt, es ist mit der passenden Aufnahme (Einnockenschaft) versehen.

Sägeblatttyp



Inbetriebnahme

Sägeblatt montieren / wechseln

Ziehen Sie vor allen Arbeiten am Gerät den Netzstecker aus der Steckdose.

- ◆ Entfernen Sie die Schutzhaube **18**.
- ◆ Drehen Sie das Schnellspannfutter **19** und halten Sie es gedreht.
- ◆ Drücken Sie das benötigte Sägeblatt bis zum Anschlag in das Schnellspannfutter **19**.
- ◆ Lassen Sie das Schnellspannfutter **19** los, es muss in seine Ausgangsposition zurückkehren. Das Sägeblatt ist nun verriegelt.
- **ACHTUNG!** Die Zähne des Sägeblattes müssen dabei nach vorne zeigen (Siehe Ausklappseite)!
- ◆ Setzen Sie die Schutzhaube **18** wieder auf das Gerät.

Parallelanschlag montieren

Der Parallelanschlag **13** kann links oder rechts am Gerät befestigt werden.

- ◆ Lösen Sie die beiden Feststellschrauben der Einschuböffnungen **15**.
- ◆ Schieben Sie den Parallelanschlag **13** in die Einschuböffnungen **15**.
- ◆ Schrauben Sie die beiden Feststellschrauben wieder fest.

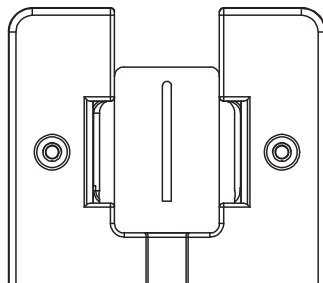
Spanabsaugung anschließen

- ◆ Stecken Sie das Reduzierstück **6** in den Absaugstutzen **7** bis dieses festklemmt.
- ◆ Schließen Sie eine zugelassene Staub- und Spanabsaugung an das Reduzierstück **6** oder direkt an den Absaugstutzen **7** an.

Spanreißschutz montieren

Der Spanreißschutz **20** kann ein Ausreißen der Oberfläche beim Sägen von Holz verhindern. Der Spanreißschutz **20** kann nur bei bestimmten Sägeblatttypen und nur bei einem Schnittwinkel von 0° verwendet werden.

- ◆ Schieben Sie den Spanreißschutz **20** von vorne in den Gleitschuh **9** (Pfeil nach oben).



Bedienung

Schnittwinkel einstellen

- ◆ Schieben Sie den Spannhebel **4** nach vorne und schieben Sie die Fußplatte **8** nach vorne.
- ◆ Stellen Sie den Schnittwinkel $0^\circ / 22,5^\circ / 45^\circ$ mit Hilfe der Markierungen an der Fußplatte **8** ein. Schieben Sie die Fußplatte **8** nach hinten, damit der Arretierstift in die Verzahnung **12** einrastet.
- ◆ Schieben Sie den Spannhebel **4** nach hinten.

HINWEIS

- ▶ Bei einem Schnittwinkel von $22,5^\circ / 45^\circ$, muss die Schutzhaube **18** vorher entfernt werden! Wenn die Fußplatte **8** nicht gut durch den Spannhebel **4** gesperrt wird, entfernen Sie den Absaugstutzen **7** und ziehen Sie die Klemmschraube **12a** mit einem Innensechskant-schlüssel fest.

Hubzahl einstellen

- ◆ Stellen Sie mit dem Stellrad Hubzahlwahl **3** die gewünschte Hubzahl ein.

Pendelhub einstellen

- ◆ Sie können mit dem Pendelhubschalter **11** die Pendelbewegung des Sägeblattes **15** einstellen. Ohne Pendelbewegung (Stellung „0“) erzielen Sie feine und saubere Schnittkanten. Stellen Sie bei dünnen Werkstücken den Pendelhub ab. Mit aktiviertem Pendelhub (Stellung 1 - 3) erzielen Sie einen zunehmend schnelleren Arbeitsfortschritt.

Einschalten / Ausschalten

Gerät einschalten:

Schieben Sie den EIN-/AUS-Schalter **2** in die Position „I“.

Gerät ausschalten:

Schieben Sie den EIN-/AUS-Schalter **2** in die Position „0“.

Laser / Arbeitslicht ein-/ausschalten

Ein-/Ausschalter:

Drücken Sie den EIN-/AUS-Schalter **21** bis die gewünschte Funktion aktiv ist.

LASER und ARBEITSLICHT → ARBEITSLICHT → LASER → AUSSCHALTEN

Spanblasfunktion

Spanblasfunktion einschalten:

- ◆ Schieben Sie den Schalter Späneblasvorrichtung **10** in die Position .

Absaugfunktion unterstützen:

- ◆ Schieben Sie den Schalter Späneblasvorrichtung **10** in die Position „O“.

Wartung und Reinigung



WARNUNG! VERLETZUNGSGEFAHR!

Schalten Sie vor allen Arbeiten am Gerät das Gerät aus und ziehen Sie den Netzstecker.

- Das Gerät muss stets sauber, trocken und frei von Öl oder Schmierfetten sein.
- Verwenden Sie zum Reinigen des Gehäuses ein trockenes Tuch.



WARNUNG!

- Wenn die Netzanschlussleitung dieses Gerätes beschädigt wird, muss sie durch den Hersteller oder seinen Kundendienst oder eine ähnlich qualifizierte Person ersetzt werden, um Gefährdungen zu vermeiden.
- Wechseln Sie das Sägeblatt **15** aus, sobald dessen Zahnung stumpf ist und damit keine einwandfreie Sägearbeit mehr durchführbar ist.
- Führen Sie die Reinigung des Gerätes im Anschluss an Ihre Sägearbeit durch.
- Entfernen Sie Verschmutzungen (z.B. durch Sägespäne). Reinigen Sie die Sägeblattaufnahme ggf. mit einem Pinsel oder durch Ausblasen mit Druckluft.

Garantie der Kompernaß Handels GmbH

Sehr geehrte Kundin, sehr geehrter Kunde,

Sie erhalten auf dieses Gerät 3 Jahre Garantie ab Kaufdatum. Im Falle von Mängeln dieses Produkts stehen Ihnen gegen den Verkäufer des Produkts gesetzliche Rechte zu. Diese gesetzlichen Rechte werden durch unsere im Folgenden dargestellte Garantie nicht eingeschränkt.

Garantiebedingungen

Die Garantiefrist beginnt mit dem Kaufdatum. Bitte bewahren Sie den Original-Kassenbonn gut auf. Diese Unterlage wird als Nachweis für den Kauf benötigt.

Tritt innerhalb von drei Jahren ab dem Kaufdatum dieses Produkts ein Material- oder Fabrikationsfehler auf, wird das Produkt von uns – nach unserer Wahl – für Sie kostenlos repariert oder ersetzt. Diese Garantieleistung setzt voraus, dass innerhalb der Drei-Jahres-Frist das defekte Gerät und der Kaufbeleg (Kassenbonn) vorgelegt und schriftlich kurz beschrieben wird, worin der Mangel besteht und wann er aufgetreten ist.

Wenn der Defekt von unserer Garantie gedeckt ist, erhalten Sie das reparierte oder ein neues Produkt zurück. Mit Reparatur oder Austausch des Produkts beginnt kein neuer Garantiezeitraum.

Garantiezeit und gesetzliche Mängelansprüche

Die Garantiezeit wird durch die Gewährleistung nicht verlängert. Dies gilt auch für ersetzte und reparierte Teile. Eventuell schon beim Kauf vorhandene Schäden und Mängel müssen sofort nach dem Auspacken gemeldet werden. Nach Ablauf der Garantiezeit anfallende Reparaturen sind kostenpflichtig.

Garantieumfang

Das Gerät wurde nach strengen Qualitätsrichtlinien sorgfältig produziert und vor Auslieferung gewissenhaft geprüft.

Die Garantieleistung gilt für Material- oder Fabrikationsfehler. Diese Garantie erstreckt sich nicht auf Produktteile, die normaler Abnutzung ausgesetzt sind und daher als Verschleißteile angesehen werden können oder für Beschädigungen an zerbrechlichen Teilen, z. B. Schalter, Akkus, Backformen oder Teile die aus Glas gefertigt sind.

Diese Garantie verfällt, wenn das Produkt beschädigt, nicht sachgemäß benutzt oder gewartet wurde. Für eine sachgemäße Benutzung des Produkts sind alle in der Bedienungsanleitung aufgeführten Anweisungen genau einzuhalten. Verwendungszwecke und Handlungen, von denen in der Bedienungsanleitung abgeraten oder vor denen gewarnt wird, sind unbedingt zu vermeiden.

Das Produkt ist nur für den privaten und nicht für den gewerblichen Gebrauch bestimmt. Bei missbräuchlicher und unsachgemäßer Behandlung, Gewaltanwendung und bei Eingriffen, die nicht von unserer autorisierten Service-Niederlassung vorgenommen wurden, erlischt die Garantie.

Abwicklung im Garantiefall

Um eine schnelle Bearbeitung ihres Anliegens zu gewährleisten, folgen Sie bitte den folgenden Hinweisen:

- Bitte halten Sie für alle Anfragen den Kassenbon und die Artikelnummer (z. B. IAN 12345) als Nachweis für den Kauf bereit.
- Die Artikelnummer entnehmen Sie bitte dem Typenschild, einer Gravur, auf dem Titelblatt ihrer Anleitung (unten links) oder als Aufkleber auf der Rück- oder Unterseite.
- Sollten Funktionsfehler oder sonstige Mängel auftreten, kontaktieren Sie zunächst die nachfolgend benannte Serviceabteilung **telefonisch** oder per **E-Mail**.
- Ein als defekt erfasstes Produkt können Sie dann unter Beifügung des Kaufbelegs (Kassenbon) und der Angabe, worin der Mangel besteht und wann er aufgetreten ist, für Sie portofrei an die Ihnen mitgeteilte Service-Anschrift übersenden.



Auf www.lidl-service.com können Sie diese und viele weitere Handbücher, Produktvideos und Software herunterladen.

Service

- DE Service Deutschland**
Tel.: 0800 5435 111 (Kostenfrei aus dem dt. Festnetz/Mobilfunknetz)
E-Mail: kompernass@lidl.de
- AT Service Österreich**
Tel.: 0820 201 222 (0,15 EUR/Min.)
E-Mail: kompernass@lidl.at
- CH Service Schweiz**
Tel.: 0842 665566 (0,08 CHF/Min., Mobilfunk max. 0,40 CHF/Min.)
E-Mail: kompernass@lidl.ch

IAN 282403

Importeur

Bitte beachten Sie, dass die folgende Anschrift keine Serviceanschrift ist. Kontaktieren Sie zunächst die benannte Servicestelle.

KOMPERNASS HANDELS GMBH
BURGSTRASSE 21
DE-44867 BOCHUM
DEUTSCHLAND
www.kompernass.com

Entsorgung



Die Verpackung besteht aus umweltfreundlichen Materialien, die Sie über die örtlichen Recyclingstellen entsorgen können.



Werfen Sie Elektrowerkzeuge nicht in den Hausmüll!

Gemäß Europäischer Richtlinie 2012/19/EU müssen verbrauchte Elektrowerkzeuge getrennt gesammelt und einer umweltgerechten Wiederverwertung zugeführt werden.

Möglichkeiten zur Entsorgung des ausgesiedelten Gerätes erfahren Sie bei Ihrer Gemeinde- oder Stadtverwaltung.

Original-Konformitätserklärung

Wir, KOMPERNASS HANDELS GMBH, Dokumentenverantwortlicher: Herr Semi Uguzlu, BURGSTR. 21, DE - 44867 BOCHUM, DEUTSCHLAND, erklären hiermit, dass dieses Produkt mit den folgenden Normen, normativen Dokumenten und EG-Richtlinien übereinstimmt:

**Maschinenrichtlinie
(2006 / 42 / EG)**

**Elektromagnetische Verträglichkeit
(2014 / 30 / EU)**

**RoHS Richtlinie
(2011 / 65 / EU)***

*Die alleinige Verantwortung für die Ausstellung dieser Konformitätserklärung trägt der Hersteller. Der oben beschriebene Gegenstand der Erklärung erfüllt die Vorschriften der Richtlinie 2011/65/EU des Europäischen Parlaments und des Rates vom 8. Juni 2011 zur Beschränkung der Verwendung bestimmter gefährlicher Stoffe in Elektro- und Elektronikgeräten.

Angewandte harmonisierte Normen:

EN 60745-1:2009 / A11: 2010

EN 60745-2-11: 2010

EN 55014-1:2006 / A2: 2011

EN 55014-2:2015

EN 61000-3-2: 2014

EN 61000-3-3: 2013

Typbezeichnung der Maschine:

Pendelhubstichsäge PSTK 800 B2

Herstellungsjahr: 12-2016

Seriennummer: IAN 282403

Bochum, 14.12.2016



Semi Uguzlu

- Qualitätsmanager -

Technische Änderungen im Sinne der Weiterentwicklung sind vorbehalten.



KOMPERNASS HANDELS GMBH

BURGSTRASSE 21
DE-44867 BOCHUM
GERMANY
www.kompernass.com

Last Information Update · Stanje informacija · Versiunea informațiilor
Актуалност на информацията · Έκδοση των πληροφοριών
Stand der Informationen: 12/2016 · Ident.-No.: PSTK800B2-122016-1

IAN 282403