



## **POWER SANDER PPS 200 A1**

GB IE NI

### **POWER SANDER**

Translation of the original instructions

DE AT CH

### **PENTASCHLEIFER**

Originalbetriebsanleitung

**IAN 289615**



GB IE NI

Before reading, unfold the page containing the illustrations and familiarise yourself with all functions of the device.

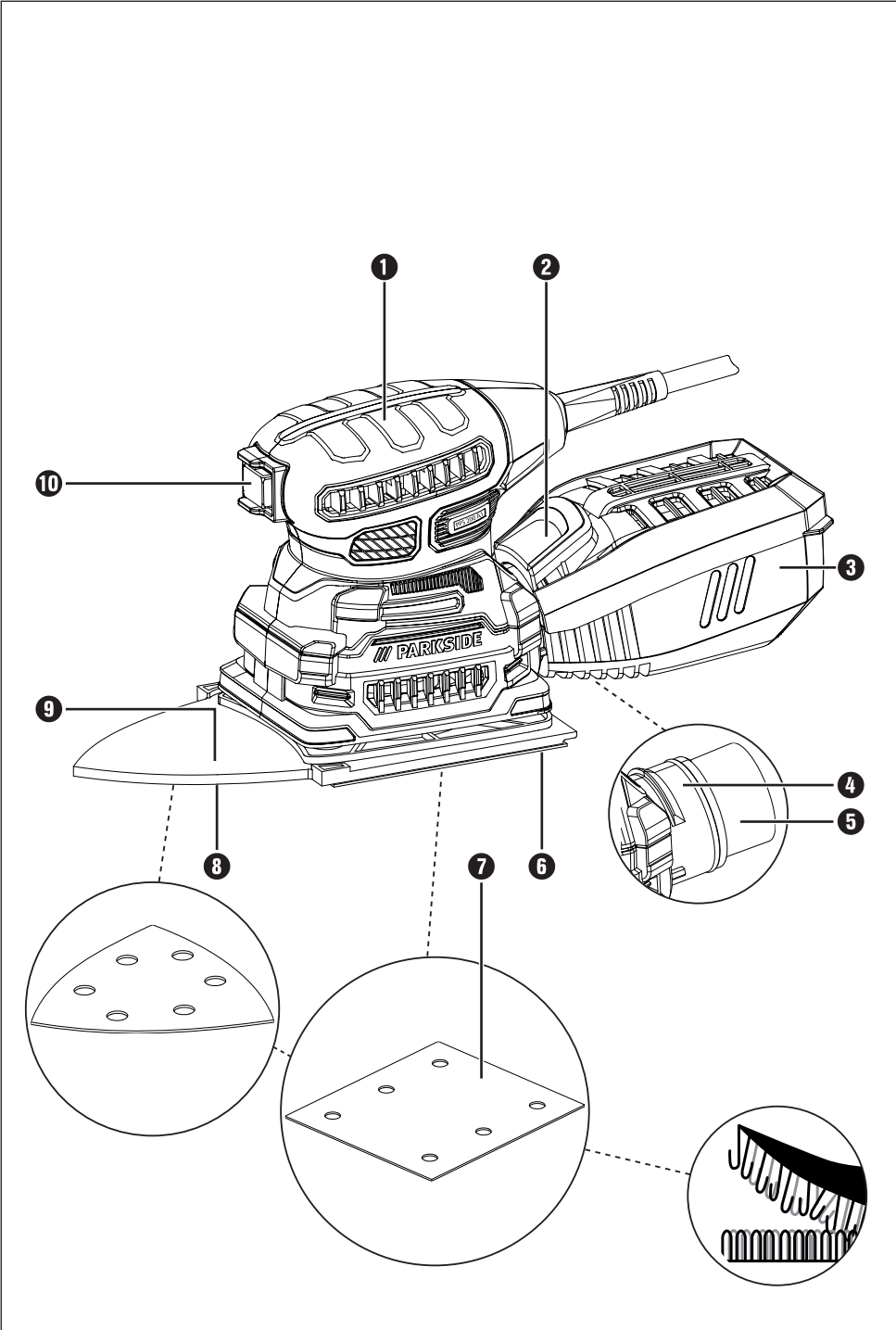
---

DE AT CH

Klappen Sie vor dem Lesen die Seite mit den Abbildungen aus und machen Sie sich anschließend mit allen Funktionen des Gerätes vertraut.

GB/IE/NI	Translation of the original instructions	Page	1
DE/AT/CH	Originalbetriebsanleitung	Seite	11

---



# Contents

<b>Introduction</b> .....	<b>2</b>
Intended use .....	2
Features .....	2
Package contents .....	2
Technical data .....	2
<b>General Power Tool Safety Warnings</b> .....	<b>3</b>
1. Work area safety .....	3
2. Electrical safety .....	3
3. Personal safety .....	3
4. Power tool use and care .....	4
5. Service .....	4
Appliance-specific safety instructions .....	4
Original accessories/auxiliary equipment .....	5
<b>Operation</b> .....	<b>5</b>
Switching on and off .....	5
Fitting the sanding sheet .....	5
Extracting dust .....	6
Work instructions, tips and tricks .....	6
<b>Maintenance and cleaning</b> .....	<b>7</b>
<b>Kompernass Handels GmbH warranty</b> .....	<b>7</b>
<b>Service</b> .....	<b>8</b>
<b>Importer</b> .....	<b>8</b>
<b>Disposal</b> .....	<b>8</b>
<b>Translation of the original Conformity Declaration</b> .....	<b>9</b>

## POWER SANDER PPS 200 A1

### Introduction

Congratulations on the purchase of your new appliance. You have chosen a high-quality product. The operating instructions are part of this product. They contain important information about safety, usage and disposal. Before using the product, please familiarise yourself with all operating and safety instructions. Use the product only as described and for the range of applications specified. Please also pass these operating instructions on to any future owner.

### Intended use

This appliance is intended for the dry sanding of wood, metal and paintwork. Any other uses of the appliance are considered improper and carry the risk of serious personal injury. The manufacturer accepts no responsibility for damage(s) attributable to misuse. This appliance is not intended for commercial use.

### Features

- ❶ Grip
- ❷ Release button
- ❸ Dust collector
- ❹ Nozzle (suction)
- ❺ Adapter for external vacuum extraction
- ❻ Sanding plate (rectangular)
- ❼ Sanding sheet
- ❽ Sanding plate (triangle bottom)
- ❾ Sanding plate (triangle top)
- ❿ ON/OFF switch

### Package contents

- 1 Power sander PPS 200 A1
- 3 Sanding sheets (120 grain)
- 1 dust collector
- 1 adapter for external vacuum extraction
- 1 set of operating instructions

### Technical data

Nominal voltage:	230 V ~ 50 Hz (AC)
Nominal power input:	200 W
Nominal speed:	$n_0$ 14000 rpm
Nominal oscillation speed:	$n_0$ 28000 rpm
Sanding sheet dimensions:	rectangular 114 x 102 mm Triangle 93 x 93 x 93 mm
Protection class:	II/□ (Double insulation)

### Noise and vibration data:

Noise measurement value determined in accordance with EN 60745. The A-rated noise level of the power tool is typically as follows:

Sound pressure level  $L_{PA}$ : 78.5 dB (A)

Sound power level  $L_{WA}$ : 89.5 dB (A)

Uncertainty K: 3 dB



### Wear hearing protection!

Vibration values (vector total of three directions) determined in accordance with EN 60745:

Vibration emission value  $a_h = 5.71 \text{ m/s}^2$

Uncertainty K =  $1.5 \text{ m/s}^2$

### NOTE

- The vibration level specified in these instructions has been measured in accordance with the standardised measuring procedure specified in EN 60745 and can be used to make equipment comparisons. The specified vibration emission value can also be used to make an initial exposure estimate.

**⚠ WARNING!**

- ▶ The vibration level varies depending on the use of the power tool and may be higher than the value specified in these instructions in some cases. Regular use of the power tool in this way may cause the user to underestimate the vibration. Try to keep the vibration loads as low as possible. Measures to reduce the vibration load are, e.g. wearing gloves and limiting the working time. Wherein all states of operation must be included (e.g. times when the power tool is switched off and times where the power tool is switched on but running without load).



## General Power Tool Safety Warnings



**⚠ WARNING!**

- ▶ **Read all safety warnings and all instructions.** Failure to follow the warnings and instructions may result in electric shock, fire and/or serious injury.

**Save all warnings and instructions for future reference.**

The term "power tool" in the warnings refers to your mains-operated (corded) power tool or battery-operated (cordless) power tool.

### 1. Work area safety

- a) **Keep work area clean and well lit.** Cluttered or dark areas invite accidents.
- b) **Do not operate power tools in explosive atmospheres, such as in the presence of flammable liquids, gases or dust.** Power tools create sparks which may ignite the dust or fumes.
- c) **Keep children and bystanders away while operating a power tool.** Distractions can cause you to lose control.

### 2. Electrical safety

- a) **Power tool plugs must match the outlet. Never modify the plug in any way. Do not use any adapter plugs with earthed (grounded) power tools.** Unmodified plugs and matching outlets will reduce risk of electric shock.
- b) **Avoid body contact with earthed or grounded surfaces, such as pipes, radiators, ranges and refrigerators.** There is an increased risk of electric shock if your body is earthed or grounded.
- c) **Do not expose power tools to rain or wet conditions.** Water entering a power tool will increase the risk of electric shock.
- d) **Do not abuse the cord. Never use the cord for carrying, pulling or unplugging the power tool. Keep cord away from heat, oil, sharp edges or moving parts.** Damaged or entangled cords increase the risk of electric shock.
- e) **When operating a power tool outdoors, use an extension cord suitable for outdoor use.** Use of a cord suitable for outdoor use reduces the risk of electric shock.
- f) **If operating a power tool in a damp location is unavoidable, use a residual current device (RCD) protected supply.** Use of an RCD reduces the risk of electric shock.

### 3. Personal safety

- a) **Stay alert, watch what you are doing and use common sense when operating a power tool. Do not use a power tool while you are tired or under the influence of drugs, alcohol or medication.** A moment of inattention while operating power tools may result in serious personal injury.
- b) **Use personal protective equipment. Always wear eye protection.** Protective equipment such as dust mask, non-skid safety shoes, hard hat, or hearing protection used for appropriate conditions will reduce personal injuries.
- c) **Prevent unintentional starting. Ensure the switch is in the off-position before connecting to power source and/or battery pack, picking up or carrying the tool.** Carrying power tools with your finger on the switch or energising power tools that have the switch on invites accidents.

- d) Remove any adjusting key or wrench before turning the power tool on. A wrench or a key left attached to a rotating part of the power tool may result in personal injury.
- e) Do not overreach. Keep proper footing and balance at all times. This enables better control of the power tool in unexpected situations.
- f) Dress properly. Do not wear loose clothing or jewellery. Keep your hair, clothing and gloves away from moving parts. Loose clothes, jewellery or long hair can be caught in moving parts.
- g) If devices are provided for the connection of dust extraction and collection facilities, ensure these are connected and properly used. Use of dust collection can reduce dust-related hazards.

#### 4. Power tool use and care

- a) Do not force the power tool. Use the correct power tool for your application. The correct power tool will do the job better and safer at the rate for which it was designed.
- b) Do not use the power tool if the switch does not turn it on and off. Any power tool that cannot be controlled with the switch is dangerous and must be repaired.
- c) Disconnect the plug from the power source and/or the battery pack from the power tool before making any adjustments, changing accessories, or storing power tools. Such preventive safety measures reduce the risk of starting the power tool accidentally.
- d) Store idle power tools out of the reach of children and do not allow persons unfamiliar with the power tool or these instructions to operate the power tool. Power tools are dangerous in the hands of untrained users.
- e) Maintain power tools. Check for misalignment or binding of moving parts, breakage of parts and any other condition that may affect the power tool's operation. If damaged, have the power tool repaired before use. Many accidents are caused by poorly maintained power tools.
- f) Keep cutting tools sharp and clean. Properly maintained cutting tools with sharp cutting edges are less likely to bind and are easier to control.

- g) Use the power tool, accessories and tool bits etc. in accordance with these instructions, taking into account the working conditions and the work to be performed. Use of the power tool for operations different from those intended could result in a hazardous situation.

#### 5. Service

- a) Have your power tool serviced by a qualified repair person using only identical replacement parts. This will ensure that the safety of the power tool is maintained.
- b) Always arrange for the replacement of the plug or the power cord to be carried out by the manufacturer of the appliance or by his approved customer services. This will ensure that the safety of the power tool is maintained.

#### Appliance-specific safety instructions

To avoid the risk of injury or fire as well as health risks:

- When working outdoors, connect the appliance via a fault current circuit breaker with a maximum tripping current of 30 mA.
- Use only an extension cable approved for outdoor use.
- Secure the workpiece! Use clamps/vice to hold the workpiece firmly in place. This is much safer than simply holding it in your hand.
- In case of danger, remove the plug from the socket immediately.
- Always route the power cable towards the rear, away from the appliance.
- **RISK OF FIRE DUE TO FLYING SPARKS!**  
Sanding metal generates sparks. Ensure that nobody can be put at risk and that no combustible materials are located in the immediate vicinity of where you are working.

**⚠ WARNING! TOXIC DUST!**

- ▶ Dusts from materials such as leaded paint, some types of wood and metal can be harmful to your health. Contact with or inhalation of these dusts can represent a health hazard for the person operating the appliance and other people in the vicinity.

**⚠ WARNING!  
RISKS DUE TO DUST!**

- ▶ When working for extended periods of time on wood and, in particular, materials that produce dust which is hazardous to health, connect the appliance to an appropriate external dust extraction appliance. **Wear safety goggles and a protective dust mask!**
- Provide sufficient ventilation when working on plastics, paints, lacquers, etc.
- Do not soak the materials or the area to be processed with liquids containing solvents.
- Avoid sanding lead paint or other harmful materials.
- Materials containing asbestos must not be processed. Asbestos is a known carcinogen.
- The device is designed for the dry surface sanding of wood, plastic, metal and plaster and painted surfaces.
- Never work on moistened materials or damp surfaces. Water entering a power tool will increase the risk of electric shock.
- Always hold the appliance firmly with two hands while working.
- Do not rest your hands next to or in front of the appliance and the area being worked as there is a risk of injury if you slip.
- Always switch the appliance off and allow the sanding sheet **7** to stop oscillating before putting the appliance down.
- Always remove the plug from the power socket during work breaks, when adjusting the appliance (e.g. changing the sanding sheet) and when it is no longer in use.

- The appliance must always be kept clean, dry and free from oil or grease.

**Original accessories/auxiliary equipment**

- Use only the additional equipment and accessories specified in the operating instructions. Using attachments or accessory tools other than those recommended in the operating instructions can lead to a risk of injury.

**Operation**

**Switching on and off**

**Switching on:**

- ◆ Press the ON/OFF switch **10** to position "I".

**Switching off:**

- ◆ Press the ON/OFF switch **10** to position "0".

**Fitting the sanding sheet**

**⚠ WARNING!**

- ▶ Always remove the plug from the mains power socket before carrying out any work on the appliance.

**NOTE**

- ▶ Before fitting a new sanding sheet **7**, remove any dust and dirt from the sanding plate **6**, **8** and **9**.
- ▶ Ensure that the extraction holes on the sanding sheet match up with those on the sander plate.
- ◆ Position the sanding sheet **7** flush on one side of the sanding pad **6**, **8** and **9**.
- ◆ Then place the sanding sheet **7** on the sanding pad **6**, **8** and **9** and press it firmly into place.

Different materials require different grain sizes. You can find out which grain is suitable for which work in our non-binding recommendations in "Work instructions, tips and tricks".



## Extracting dust

**Wear a dust mask!**

### **⚠ WARNING! RISK OF FIRE!**

- ▶ When working with power tools that are fitted with a dust collector **3** or can be connected to a vacuum cleaner via the vacuum cleaner adapter, there is a risk of fire! In unfavourable conditions, e.g. when sparks are flying while sanding metal or metal residues in wood, wood dust in the dust sack (or in the vacuum cleaner dust bag) can spontaneously ignite. This is a particular risk if the wood dust is mixed with paint residues or other chemicals and the workpiece has become hot after being worked for a long time. Therefore, do not allow the workpiece to overheat and always empty the dust collector **3** or the dust bag in the vacuum cleaner before taking a break from work.

**Dust extraction with dust collector:**

### **Attaching the dust collector:**

- ▶ Push the dust collector **3** onto the appliance.

### **Removing the dust collector:**

- ▶ Press the release button **2** and pull the dust collector **3** upwards off the appliance.

### **NOTE**

- ▶ To ensure optimum extraction, regularly empty and shake out the dust collector **3**.
- ▶ Perforated sanding sheets are required for dust extraction.

**Dust extraction using an external extraction device**

### **Connection:**

- ▶ To remove dust using a vacuum cleaner, push the suction hose of a suitable dust extraction device (e.g. a workshop vacuum cleaner) onto the nozzle **4**.

### **NOTE**

- ▶ If necessary, use the adapter **5** by pushing it into the nozzle **4**.

### **Removal:**

- ▶ Pull the hose of the vacuum cleaner off the nozzle **4** or adapter **5**.

### **Work instructions, tips and tricks**

- ▶ Move the appliance parallel to the surface and in a flat circular motion or alternatively lengthwise and across the surface.
- ▶ Do not press the appliance down. The sanding sheets will get clogged and the sanding performance will deteriorate.
- ▶ Clean the sanding sheet **7** every once in a while using a vacuum cleaner.
- ▶ Never use the same sanding sheet **7** for sanding different materials (such as wood and then metal).

In the table below, you will find some recommended values which will help you determine which sanding sheet **7** to use for which job.

Wood	Sanding sheet/grain
Working wood	40-240
Pre-sanding, e.g. of unfinished, unplanned beams and planks	40, 60
Surface sanding	80, 100, 120
Fine sanding of hardwoods	180, 240

Paint/varnish	Sanding sheet/grain
Working of coats of paint/varnish or primers such as filler	40-320
Removal of paint	40, 60
Sanding undercoat	80, 100, 120
Final sanding of primers before painting	180, 240, 320

## Maintenance and cleaning

### **⚠ WARNING! RISK OF INJURY!**

- ▶ Always remove the plug from the mains power socket before carrying out any work on the appliance.
- Always clean the appliance directly after completion of work.
- Do not use any sharp objects to clean the appliance. Do not allow any liquids to get into the appliance.
- Use a cloth to clean the housing. Never use petrol, solvents or cleaning agents that can damage plastic. A vacuum cleaner is required for thorough cleaning of the appliance.
- Ventilation openings must never be obstructed.
- Remove any adhering grinding dust with a brush.

## Kompernass Handels GmbH warranty

Dear Customer,

This appliance has a 3-year warranty valid from the date of purchase. If this product has any faults, you, the buyer, have certain statutory rights. Your statutory rights are not restricted in any way by the warranty described below.

### **Warranty conditions**

The validity period of the warranty starts from the date of purchase. Please keep your original receipt in a safe place. This document will be required as proof of purchase.

If any material or production fault occurs within three years of the date of purchase of the product, we will either repair or replace the product for you at our discretion. This warranty service is dependent on you presenting the defective appliance and the proof of purchase (receipt) and a short written description of the fault and its time of occurrence.

If the defect is covered by the warranty, your product will either be repaired or replaced by us. The repair or replacement of a product does not signify the beginning of a new warranty period.

### **Warranty period and statutory claims for defects**

The warranty period is not prolonged by repairs effected under the warranty. This also applies to replaced and repaired components. Any damage and defects present at the time of purchase must be reported immediately after unpacking. Repairs carried out after expiry of the warranty period shall be subject to a fee.

## Scope of the warranty

This appliance has been manufactured in accordance with strict quality guidelines and inspected meticulously prior to delivery.

The warranty covers material faults or production faults. The warranty does not extend to product parts subject to normal wear and tear or fragile parts such as switches, batteries, baking moulds or parts made of glass.

The warranty does not apply if the product has been damaged, improperly used or improperly maintained. The directions in the operating instructions for the product regarding proper use of the product are to be strictly followed. Uses and actions that are discouraged in the operating instructions or which are warned against must be avoided.

This product is intended solely for private use and not for commercial purposes. The warranty shall be deemed void in cases of misuse or improper handling, use of force and modifications/repairs which have not been carried out by one of our authorised Service centres.

## Warranty claim procedure

To ensure quick processing of your case, please observe the following instructions:

- Please have the till receipt and the item number (e.g. IAN 12345) available as proof of purchase.
- You will find the item number on the type plate, an engraving on the front page of the instructions (bottom left), or as a sticker on the rear or bottom of the appliance.
- If functional or other defects occur, please contact the service department listed either by **telephone** or by **e-mail**.
- You can return a defective product to us free of charge to the service address that will be provided to you. Ensure that you enclose the proof of purchase (till receipt) and information about what the defect is and when it occurred.



You can download these instructions along with many other manuals, product videos and software on [www.lidl-service.com](http://www.lidl-service.com).

## Service

**GB Service Great Britain**  
Tel.: 0871 5000 720 (£ 0.10/Min.)  
E-Mail: [kompennass@lidl.co.uk](mailto:kompennass@lidl.co.uk)

**IE Service Ireland**  
Tel.: 1890 930 034  
(0,08 EUR/Min., (peak))  
(0,06 EUR/Min., (off peak))  
E-Mail: [kompennass@lidl.ie](mailto:kompennass@lidl.ie)

IAN 289615

## Importer

Please note that the following address is not the service address. Please use the service address provided in the operating instructions.

KOMPENASS HANDELS GMBH  
BURGSTRASSE 21  
DE-44867 BOCHUM  
GERMANY  
[www.kompennass.com](http://www.kompennass.com)

## Disposal



The packaging is made from environmentally friendly material and can be disposed of at your local recycling plant.



**Do not dispose of power tools in your normal household waste!**

In accordance with European Directive 2012/19/EU on Waste Electrical and Electronic Equipment and its integration into national law, used power tools must be disposed of separately and recycled in an environmentally friendly manner.

Your local community or municipal authorities can provide information on how to dispose of the appliance.

## Translation of the original Conformity Declaration

We, KOMPERNASS HANDELS GMBH, document officer: Mr Semi Uguzlu, BURGSTR. 21, DE - 44867 BOCHUM, GERMANY, hereby declare that this product complies with the following standards, normative documents and EC directives:

**Machinery Directive  
(2006/42/EC)**

**EMC (Electromagnetic Compatibility)  
(2014/30/EU)**

**RoHS Directive  
(2011 / 65 / EU)\***

\*The manufacturer bears the full responsibility for compliance with this conformity declaration. The object of the declaration described above complies with the requirements of the Directive 2011/65/EU of the European Parliament and Council of 8 June 2011 on the limitations of use of certain dangerous substances in electrical and electronic appliances.

### Applied harmonised standards:

EN 60745-1:2009/A11:2010

EN 60745-2-4:2009/A11:2011

EN 62233:2008

EN 55014-1:2006/A2:2011

EN 55014-2:2015

EN 61000-3-2:2014

EN 61000-3-3:2013

### Type/appliance designation:

Power sander PPS 200 A1

**Year of manufacture: 06-2017**

**Serial number: IAN 289615**

Bochum, 01/06/2017



Semi Uguzlu

- Quality Manager -

We reserve the right to make technical changes in the context of further product development.



# Inhaltsverzeichnis

<b>Einleitung</b> .....	<b>12</b>
Bestimmungsgemäßer Gebrauch .....	12
Ausstattung .....	12
Lieferumfang .....	12
Technische Daten .....	12
<b>Allgemeine Sicherheitshinweise für Elektrowerkzeuge</b> .....	<b>13</b>
1. Arbeitsplatz-Sicherheit .....	13
2. Elektrische Sicherheit .....	13
3. Sicherheit von Personen .....	14
4. Verwendung und Behandlung des Elektrowerkzeugs .....	14
5. Service .....	15
Gerätespezifische Sicherheitshinweise .....	15
Originalzubehör / -zusatzgeräte .....	16
<b>Bedienung</b> .....	<b>16</b>
Ein- und ausschalten .....	16
Schleifblatt befestigen .....	16
Staub absaugen .....	16
Arbeitshinweise, Tipps und Tricks .....	17
<b>Wartung und Reinigung</b> .....	<b>17</b>
<b>Garantie der Kompernaß Handels GmbH</b> .....	<b>18</b>
<b>Service</b> .....	<b>19</b>
<b>Importeur</b> .....	<b>19</b>
<b>Entsorgung</b> .....	<b>19</b>
<b>Original-Konformitätserklärung</b> .....	<b>20</b>

## PENTASCHLEIFER PPS 200 A1

### Einleitung

Wir beglückwünschen Sie zum Kauf Ihres neuen Gerätes. Sie haben sich damit für ein hochwertiges Produkt entschieden. Die Bedienungsanleitung ist Teil dieses Produkts. Sie enthält wichtige Hinweise für Sicherheit, Gebrauch und Entsorgung. Machen Sie sich vor der Benutzung des Produkts mit allen Bedien- und Sicherheitshinweisen vertraut. Benutzen Sie das Produkt nur wie beschrieben und für die angegebenen Einsatzbereiche. Händigen Sie alle Unterlagen bei Weitergabe des Produkts an Dritte mit aus.

### Bestimmungsgemäßer Gebrauch

Das Gerät ist zum trockenen Schleifen von Holz, Kunststoffen und Lacken geeignet. Jede andere Verwendung oder Veränderung gilt als nicht bestimmungsgemäß und birgt erhebliche Unfallgefahren. Für aus bestimmungswidriger Verwendung entstandene Schäden übernimmt der Hersteller keine Haftung. Das Gerät ist nicht für den gewerblichen Einsatz bestimmt.

### Ausstattung

- 1 Grifffläche
- 2 Entriegelungstaste
- 3 Staubfangbox
- 4 Anschluss (Absaugung)
- 5 Adapter für externe Staubabsaugung
- 6 Schleifplatte (Viereck)
- 7 Schleifblatt
- 8 Schleifplatte (Dreieck unten)
- 9 Schleifplatte (Dreieck oben)
- 10 EIN- / AUS-Schalter

### Lieferumfang

- 1 Pentaschleifer PPS 200 A1
- 3 Schleifblätter (Körnung 120)
- 1 Staubfangbox
- 1 Adapter für externe Staubabsaugung
- 1 Bedienungsanleitung

### Technische Daten

Nennspannung:	230 V ~ 50 Hz (Wechselstrom)
Nennaufnahme:	200 W
Nennzahl:	$n_0$ 14000 min <sup>-1</sup>
Nennschwingzahl:	$n_0$ 28000 min <sup>-1</sup>
Schleifblattabmessungen:	Viereck 114 x 102 mm Dreieck 93 x 93 x 93 mm
Schutzklasse:	II/Ⓜ (Doppelsolierung)

### Geräusch- und Vibrationsinformationen:

Messwert für Geräusch ermittelt entsprechend EN 60745. Der A-bewertete Geräuschpegel des Elektrowerkzeugs beträgt typischerweise:

Schalldruckpegel  $L_{PA}$ : 78,5 dB (A)

Schallleistungspegel  $L_{WA}$ : 89,5 dB (A)

Unsicherheit K: 3 dB



### Gehörschutz tragen!

Schwingungswerte (Vektorsumme dreier Richtungen) ermittelt entsprechend EN 60745:

Schwingungsemissionswert  $a_h = 5,71 \text{ m} / \text{s}^2$

Unsicherheit K = 1,5 m / s<sup>2</sup>

### HINWEIS

- Der in diesen Anweisungen angegebene Schwingungspegel ist entsprechend einem in EN 60745 genormten Messverfahren gemessen worden und kann für den Gerätevergleich verwendet werden. Der angegebene Schwingungsemissionswert kann auch zu einer einleitenden Einschätzung der Aussetzung verwendet werden.

### **WARNUNG!**

- ▶ Der Schwingungspegel wird sich entsprechend dem Einsatz des Elektrowerkzeugs verändern und kann in manchen Fällen über dem in diesen Anweisungen angegebenen Wert liegen. Die Schwingungsbelastung könnte unterschätzt werden, wenn das Elektrowerkzeug regelmäßig in solcher Weise verwendet wird. Versuchen Sie, die Belastung durch Vibrationen so gering wie möglich zu halten. Beispielhafte Maßnahmen zur Verringerung der Vibrationsbelastung sind das Tragen von Handschuhen beim Gebrauch des Werkzeugs und die Begrenzung der Arbeitszeit. Dabei sind alle Anteile des Betriebszyklus zu berücksichtigen (beispielsweise Zeiten, in denen das Elektrowerkzeug abgeschaltet ist, und solche, in denen es zwar eingeschaltet ist, aber ohne Belastung läuft).



## Allgemeine Sicherheitshinweise für Elektrowerkzeuge

### **WARNUNG!**

- ▶ **Lesen Sie alle Sicherheitshinweise und Anweisungen.** Versäumnisse bei der Einhaltung der Sicherheitshinweise und Anweisungen können elektrischen Schlag, Brand und/oder schwere Verletzungen verursachen.

### **Bewahren Sie alle Sicherheitshinweise und Anweisungen für die Zukunft auf.**

Der in den Sicherheitshinweisen verwendete Begriff „Elektrowerkzeug“ bezieht sich auf netzbetriebene Elektrowerkzeuge (mit Netzkabel) und auf akkubetriebene Elektrowerkzeuge (ohne Netzkabel).

### **1. Arbeitsplatz-Sicherheit**

- a) Halten Sie Ihren Arbeitsbereich sauber und gut beleuchtet. Unordnung und unbeleuchtete Arbeitsbereiche können zu Unfällen führen.
- b) Arbeiten Sie mit dem Elektrowerkzeug nicht in explosionsgefährdeter Umgebung, in der sich brennbare Flüssigkeiten, Gase oder Stäube befinden. Elektrowerkzeuge erzeugen Funken, die den Staub oder die Dämpfe entzünden können.

- c) Halten Sie Kinder und andere Personen während der Benutzung des Elektrowerkzeugs fern. Bei Ablenkung können Sie die Kontrolle über das Gerät verlieren.

### **2. Elektrische Sicherheit**

- a) Der Anschlussstecker des Elektrowerkzeugs (bzw. Netzteils) muss in die Steckdose passen. Der Stecker darf in keiner Weise verändert werden. Verwenden Sie keine Adapterstecker gemeinsam mit schutzgeerdeten Elektrowerkzeugen. Unveränderte Stecker und passende Steckdosen verringern das Risiko eines elektrischen Schlages.
- b) Vermeiden Sie Körperkontakt mit geerdeten Oberflächen, wie von Rohren, Heizungen, Herden und Kühlschränken. Es besteht ein erhöhtes Risiko durch elektrischen Schlag, wenn Ihr Körper geerdet ist.
- c) Halten Sie Elektrowerkzeuge von Regen oder Nässe fern. Das Eindringen von Wasser in ein Elektrogerät erhöht das Risiko eines elektrischen Schlages.
- d) Zweckentfremden Sie das Kabel nicht, um das Elektrowerkzeug zu tragen, aufzuhängen oder um den Stecker aus der Steckdose zu ziehen. Halten Sie das Kabel fern von Hitze, Öl, scharfen Kanten oder sich bewegenden Geräteteilen. Beschädigte oder verwickelte Kabel erhöhen das Risiko eines elektrischen Schlages.
- e) Wenn Sie mit einem Elektrowerkzeug im Freien arbeiten, verwenden Sie nur Verlängerungskabel, die auch für den Außenbereich zugelassen sind. Die Anwendung eines für den Außenbereich geeigneten Verlängerungskabels verringert das Risiko eines elektrischen Schlages.
- f) Wenn der Betrieb des Elektrowerkzeugs in feuchter Umgebung nicht vermeidbar ist, verwenden Sie einen Fehlerstromschutzschalter. Der Einsatz eines Fehlerstromschutzschalters vermindert das Risiko eines elektrischen Schlages.



### 3. Sicherheit von Personen

- a) Seien Sie stets aufmerksam, achten Sie darauf, was Sie tun und gehen Sie mit Vernunft an die Arbeit mit einem Elektrowerkzeug. Benutzen Sie kein Elektrowerkzeug, wenn Sie müde sind oder unter dem Einfluss von Drogen, Alkohol oder Medikamenten stehen. Ein Moment der Unachtsamkeit beim Gebrauch des Elektrowerkzeuges kann zu ernsthaften Verletzungen führen.
- b) Tragen Sie persönliche Schutzausrüstung und immer eine Schutzbrille. Das Tragen persönlicher Schutzausrüstung wie Staubmaske, rutschfeste Sicherheitsschuhe, Schutzhelm oder Gehörschutz, je nach Art und Einsatz des Elektrowerkzeuges, verringert das Risiko von Verletzungen.
- c) Vermeiden Sie eine unbeabsichtigte Inbetriebnahme. Vergewissern Sie sich, dass das Elektrowerkzeug ausgeschaltet ist, bevor Sie es an die Stromversorgung und / oder den Akku anschließen, es aufnehmen oder tragen. Wenn Sie beim Tragen des Elektrowerkzeuges den Finger am Schalter haben oder das Gerät bereits eingeschaltet an die Stromversorgung anschließen, kann dies zu Unfällen führen.
- d) Entfernen Sie Einstellwerkzeuge oder Schraubenschlüssel, bevor Sie das Elektrowerkzeug einschalten. Ein Werkzeug oder Schlüssel, der sich in einem drehenden Geräteteil befindet, kann zu Verletzungen führen.
- e) Vermeiden Sie eine abnormale Körperhaltung. Sorgen Sie für einen sicheren Stand und halten Sie jederzeit das Gleichgewicht. Dadurch können Sie das Elektrowerkzeug in unerwarteten Situationen besser kontrollieren.
- f) Tragen Sie geeignete Kleidung. Tragen Sie keine weite Kleidung oder Schmuck. Halten Sie Haare, Kleidung und Handschuhe fern von sich bewegenden Teilen. Lockere Kleidung, Schmuck oder lange Haare können von sich bewegenden Teilen erfasst werden.
- g) Wenn Staubabsaug- und -auffangeinrichtungen montiert werden können, vergewissern Sie sich, dass diese angeschlossen sind und richtig verwendet werden. Die Verwendung einer Staubabsaugung kann Gefährdungen durch Staub verringern.

### 4. Verwendung und Behandlung des Elektrowerkzeugs

- a) Überlasten Sie das Gerät nicht. Verwenden Sie für Ihre Arbeit das dafür bestimmte Elektrowerkzeug. Mit dem passenden Elektrowerkzeug arbeiten Sie besser und sicherer im angegebenen Leistungsbereich.
- b) Benutzen Sie kein Elektrowerkzeug, dessen Schalter defekt ist. Ein Elektrowerkzeug, das sich nicht mehr ein- oder ausschalten lässt, ist gefährlich und muss repariert werden.
- c) Ziehen Sie den Stecker aus der Steckdose und / oder entfernen Sie den Akku, bevor Sie Geräteeinstellungen vornehmen, Zubehörteile wechseln oder das Gerät weglegen. Diese Vorsichtsmaßnahme verhindert den unbeabsichtigten Start des Elektrowerkzeuges.
- d) Bewahren Sie unbenutzte Elektrowerkzeuge außerhalb der Reichweite von Kindern auf. Lassen Sie Personen das Gerät nicht benutzen, die mit diesem nicht vertraut sind oder diese Anweisungen nicht gelesen haben. Elektrowerkzeuge sind gefährlich, wenn sie von unerfahrenen Personen benutzt werden.
- e) Pflegen Sie Elektrowerkzeuge mit Sorgfalt. Kontrollieren Sie, ob bewegliche Teile einwandfrei funktionieren und nicht klemmen, ob Teile gebrochen oder so beschädigt sind, dass die Funktion des Elektrowerkzeuges beeinträchtigt ist. Lassen Sie beschädigte Teile vor dem Einsatz des Gerätes reparieren. Viele Unfälle haben ihre Ursache in schlecht gewarteten Elektrowerkzeugen.
- f) Halten Sie Schneidwerkzeuge scharf und sauber. Sorgfältig gepflegte Schneidwerkzeuge mit scharfen Schneidkanten verklemmen sich weniger und sind leichter zu führen.
- g) Verwenden Sie Elektrowerkzeug, Zubehör, Einsatzwerkzeuge usw. entsprechend diesen Anweisungen. Berücksichtigen Sie dabei die Arbeitsbedingungen und die auszuführende Tätigkeit. Der Gebrauch von Elektrowerkzeugen für andere als die vorgesehenen Anwendungen kann zu gefährlichen Situationen führen.

## 5. Service

- a) Lassen Sie Ihr Elektrowerkzeug nur von qualifiziertem Fachpersonal und nur mit Original-Ersatzteilen reparieren. Damit wird sichergestellt, dass die Sicherheit des Elektrowerkzeugs erhalten bleibt.
- b) Lassen Sie den Austausch des Steckers oder der Anschlussleitung immer vom Hersteller des Elektrowerkzeugs oder seinem Kundendienst ausführen. Damit wird sichergestellt, dass die Sicherheit des Elektrowerkzeugs erhalten bleibt.

## Gerätespezifische Sicherheitshinweise

### Um Verletzungs- und Brandgefahr sowie Gesundheitsgefährdungen zu vermeiden:

- Schließen Sie, wenn Sie im Freien arbeiten, das Gerät über einen Fehlerstrom (FI)-Schutzschalter mit maximal 30 mA Auslösestrom an.
- Verwenden Sie nur ein für den Außenbereich zugelassenes Verlängerungskabel.
- Sichern Sie das Werkstück. Benutzen Sie Spannvorrichtungen / Schraubstock, um das Werkstück festzuhalten. Es ist damit sicherer gehalten, als mit Ihrer Hand.
- Ziehen Sie bei Gefahr sofort den Netzstecker aus der Steckdose.
- Führen Sie das Netzkabel immer nach hinten vom Gerät weg.
- **BRANDGEFAHR DURCH FUNKENFLUG !**  
Wenn Sie Metalle schleifen, entsteht Funkenflug. Achten Sie deshalb unbedingt darauf, dass keine Personen gefährdet werden und sich keine brennbaren Materialien in der Nähe des Arbeitsbereiches befinden.

### **⚠️ WARNUNG! GIFTIGE STÄUBE!**

- ▶ Stäube von Materialien wie bleihaltigem Anstrich, einigen Holzarten und Metall können gesundheitsschädlich sein. Die Berührung oder das Einatmen dieser Stäube kann eine Gefährdung für die Bedienperson oder in der Nähe befindliche Personen darstellen.

### **⚠️ WARNUNG! GEFÄHRDUNG DURCH STAUB!**

- ▶ Schließen Sie bei längerem Bearbeiten von Holz und insbesondere wenn Materialien bearbeitet werden, bei denen gesundheitsgefährdende Stäube entstehen, das Gerät an eine geeignete externe Staubabsaugvorrichtung an. Tragen Sie Schutzbrille und Staubschutzmaske!
- Sorgen Sie bei der Bearbeitung von Kunststoffen, Farben, Lacken, etc. für ausreichende Belüftung.
- Tränken Sie Materialien oder zu bearbeitende Flächen nicht mit lösungsmittelhaltigen Flüssigkeiten.
- Vermeiden Sie das Schleifen von bleihaltigen Farben oder anderen gesundheitsschädlichen Materialien.
- Asbesthaltiges Material darf nicht bearbeitet werden. Asbest gilt als krebserregend.
- Das Gerät ist für trockenes Flächenschleifen von Holz, Kunststoff, Metall und Spachtelmasse sowie lackierten Oberflächen ausgelegt.
- Bearbeiten Sie keine angefeuchteten Materialien oder feuchte Flächen. Das Eindringen von Wasser in ein Elektrogerät erhöht das Risiko eines elektrischen Schlags.
- Halten Sie das Gerät während der Arbeit immer fest mit beiden Händen.
- Stützen Sie auf keinen Fall die Hände neben oder vor dem Gerät und der zu bearbeitenden Fläche ab, da bei einem Abrutschen Verletzungsgefahr besteht.
- Das Gerät immer ausschalten und das Schleifblatt **7** ausschwingen lassen, bevor Sie das Gerät ablegen.
- Ziehen Sie bei Arbeitspausen, vor allen Arbeiten am Gerät (z. B. Wechsel des Schleifpapiers) und bei Nichtgebrauch immer den Netzstecker aus der Steckdose.
- Das Gerät muss stets sauber, trocken und frei von Öl oder Schmierfetten sein.

## Originalzubehör / -zusatzgeräte

- Benutzen Sie nur Zubehör und Zusatzgeräte, die in der Bedienungsanleitung angegeben sind. Der Gebrauch anderer als in der Bedienungsanleitung empfohlener Einsatzwerkzeuge oder anderen Zubehörs kann eine Verletzungsgefahr für Sie bedeuten.

## Bedienung

### Ein- und ausschalten

#### Einschalten:

- ◆ Drücken Sie den Schalter EIN / AUS **10** in die Position „I“.

#### Ausschalten:

- ◆ Drücken Sie den Schalter EIN / AUS **10** in die Position „O“.

### Schleifblatt befestigen

#### ⚠ WARNUNG!

- ▶ Bevor Sie Arbeiten am Gerät durchführen, ziehen Sie immer den Netzstecker aus der Steckdose.

#### HINWEIS

- ▶ Entfernen Sie vor dem Befestigen eines neuen Schleifblattes **7** Staub und Schmutz von der Schleifplatte **6**, **8** und **9**.
- ▶ Achten Sie auf Übereinstimmung der Absauglöcher am Schleifblatt und Schleifplatte.
- ◆ Setzen Sie das Schleifblatt **7** an einer Seite der Schleifplatte **6**, **8** und **9** bündig an.
- ◆ Legen Sie das Schleifblatt **7** anschließend auf die Schleifplatte **6**, **8** und **9** auf und drücken Sie es fest.

Verschiedene Materialien benötigen unterschiedliche Körnungen, welche Körnung für welche Arbeiten geeignet ist, lesen Sie in unseren unverbindlichen Empfehlungen unter „Arbeitshinweise, Tipps und Tricks“.

## Staub absaugen

### Tragen Sie eine Staubschutzmaske!

#### ⚠ WARNUNG! BRANDGEFAHR!

- ▶ Beim Arbeiten mit Elektrowerkzeugen, die über eine Staubfangbox **3** verfügen oder durch eine Staubabsaugvorrichtung mit dem Staubsauger verbunden werden können, besteht Brandgefahr! Unter ungünstigen Bedingungen, wie z. B. bei Funkenflug, beim Schleifen von Metall oder Metallresten in Holz, kann sich Holzstaub im Staubsack (oder im Staubbeutel des Staubsaugers) selbst entzünden. Dies kann insbesondere dann geschehen, wenn der Holzstaub mit Lackresten oder anderen chemischen Stoffen vermischt ist und das Schleifgut nach langem Arbeiten heiß ist. Vermeiden Sie deshalb unbedingt eine Überhitzung des Schleifguts und des Gerätes und entleeren Sie vor Arbeitspausen stets die Staubfangbox **3** bzw. den Staubbeutel des Staubsaugers.

### Staubabsaugung mit Staubfangbox:

#### Staubfangbox aufsetzen:

- ◆ Schieben Sie die Staubfangbox **3** auf das Gerät.

#### Staubfangbox abnehmen:

- ◆ Drücken Sie die Entriegelungstaste **2** und ziehen Sie die Staubfangbox **3** vom Gerät ab.

#### HINWEIS

- ▶ Um eine optimale Absaugleistung zu gewährleisten, die Staubfangbox **3** rechtzeitig leeren und ausklopfen.
- ▶ Für die Staubabsaugung brauchen Sie gelochte Schleifblätter.

### Staubabsaugung per Fremdabsaugung

#### Anschließen:

- ◆ Zur Staubabsaugung mittels Staubsauger schieben Sie den Saugschlauch einer zulässigen Staubabsaugvorrichtung (z. B. eines Werkstattstaubsaugers) in den Anschluss **4**.

**HINWEIS**

- Verwenden Sie falls nötig den Adapter **5**, indem Sie ihn in den Anschluss **4** schieben.

**Entnehmen:**

- ◆ Ziehen Sie den Schlauch der Staubsaugvorrichtung vom Anschluss **4**, bzw ggf. vom Adapter **5** ab.

**Arbeitshinweise, Tipps und Tricks**

- ◆ Bewegen Sie das Gerät parallel, flächig kreisend oder wechselnd längs und quer.
- ◆ Das Gerät nicht aufdrücken. Die Schleifblätter setzen sich zu und verschlechtern somit die Schleifleistung.
- ◆ Reinigen Sie hin und wieder das Schleifblatt **7** mit dem Staubsauger.
- ◆ Schleifen Sie nie mit dem gleichen Schleifblatt **7** unterschiedliche Materialien (z. B. Holz und anschließend Metall).

In der nachfolgenden Tabelle finden Sie unverbindliche Werte, die Ihnen die Ermittlung des Schleifblattes **7** erleichtern.

Holz	Schleifblatt / Körnung
<b>Bearbeitung von Holz</b>	<b>40-240</b>
Vorschleifen z. B. von rauhen, ungehobelten Balken und Brettern	40, 60
Planschleifen	80, 100, 120
Feinschleifen harter Hölzer	180, 240

Farbe / Lacke	Schleifblatt / Körnung
<b>Bearbeitung von Farb- / Lackschichten oder Grundierungen wie Füller und Spachtel</b>	<b>40-320</b>
Abschleifen von Farbe	40, 60
Schleifen von Vorstreichfarbe	80, 100, 120
Endschliff von Grundierungen vor der Lackierung	180, 240, 320

**Wartung und Reinigung**

**⚠️ WARNUNG! VERLETZUNGSGEFAHR!**

- Bevor Sie Arbeiten am Gerät durchführen, ziehen Sie immer den Netzstecker aus der Steckdose.
- Reinigen Sie das Gerät, direkt nach Abschluss der Arbeit.
- Keine scharfen Gegenstände zur Reinigung des Gerätes verwenden. Es dürfen keine Flüssigkeiten in das Innere des Gerätes gelangen.
- Verwenden Sie zum Reinigen des Gehäuses ein Tuch. Verwenden Sie auf keinen Fall Benzin, Lösungsmittel oder Reiniger, die Kunststoff angreifen. Zur gründlichen Reinigung des Gerätes wird ein Staubsauger benötigt.
- Lüftungsöffnungen müssen immer frei sein.
- Entfernen Sie anhaftenden Schleifstaub mit einem Pinsel.

## Garantie der Kompernaß Handels GmbH

Sehr geehrte Kundin, sehr geehrter Kunde,

Sie erhalten auf dieses Gerät 3 Jahre Garantie ab Kaufdatum. Im Falle von Mängeln dieses Produkts stehen Ihnen gegen den Verkäufer des Produkts gesetzliche Rechte zu. Diese gesetzlichen Rechte werden durch unsere im Folgenden dargestellte Garantie nicht eingeschränkt.

### Garantiebedingungen

Die Garantiefrist beginnt mit dem Kaufdatum. Bitte bewahren Sie den Original-Kassenbonn gut auf. Diese Unterlage wird als Nachweis für den Kauf benötigt.

Tritt innerhalb von drei Jahren ab dem Kaufdatum dieses Produkts ein Material- oder Fabrikationsfehler auf, wird das Produkt von uns – nach unserer Wahl – für Sie kostenlos repariert oder ersetzt. Diese Garantieleistung setzt voraus, dass innerhalb der Drei-Jahres-Frist das defekte Gerät und der Kaufbeleg (Kassenbonn) vorgelegt und schriftlich kurz beschrieben wird, worin der Mangel besteht und wann er aufgetreten ist.

Wenn der Defekt von unserer Garantie gedeckt ist, erhalten Sie das reparierte oder ein neues Produkt zurück. Mit Reparatur oder Austausch des Produkts beginnt kein neuer Garantiezeitraum.

### Garantiezeit und gesetzliche Mängelansprüche

Die Garantiezeit wird durch die Gewährleistung nicht verlängert. Dies gilt auch für ersetzte und reparierte Teile. Eventuell schon beim Kauf vorhandene Schäden und Mängel müssen sofort nach dem Auspacken gemeldet werden. Nach Ablauf der Garantiezeit anfallende Reparaturen sind kostenpflichtig.

### Garantieumfang

Das Gerät wurde nach strengen Qualitätsrichtlinien sorgfältig produziert und vor Auslieferung gewissenhaft geprüft.

Die Garantieleistung gilt für Material- oder Fabrikationsfehler. Diese Garantie erstreckt sich nicht auf Produktteile, die normaler Abnutzung ausgesetzt sind und daher als Verschleißteile angesehen werden können oder für Beschädigungen an zerbrechlichen Teilen, z. B. Schalter, Akkus, Backformen oder Teile die aus Glas gefertigt sind.

Diese Garantie verfällt, wenn das Produkt beschädigt, nicht sachgemäß benutzt oder gewartet wurde. Für eine sachgemäße Benutzung des Produkts sind alle in der Bedienungsanleitung aufgeführten Anweisungen genau einzuhalten. Verwendungszwecke und Handlungen, von denen in der Bedienungsanleitung abgeraten oder vor denen gewarnt wird, sind unbedingt zu vermeiden.

Das Produkt ist nur für den privaten und nicht für den gewerblichen Gebrauch bestimmt. Bei missbräuchlicher und unsachgemäßer Behandlung, Gewaltanwendung und bei Eingriffen, die nicht von unserer autorisierten Service-Niederlassung vorgenommen wurden, erlischt die Garantie.

### Abwicklung im Garantiefall

Um eine schnelle Bearbeitung Ihres Anliegens zu gewährleisten, folgen Sie bitte den folgenden Hinweisen:

- Bitte halten Sie für alle Anfragen den Kassenbonn und die Artikelnummer (z. B. IAN 12345) als Nachweis für den Kauf bereit.
- Die Artikelnummer entnehmen Sie bitte dem Typenschild, einer Gravur, auf dem Titelblatt Ihrer Anleitung (unten links) oder als Aufkleber auf der Rück- oder Unterseite.
- Sollten Funktionsfehler oder sonstige Mängel auftreten, kontaktieren Sie zunächst die nachfolgend benannte Serviceabteilung **telefonisch** oder per **E-Mail**.
- Ein als defekt erfasstes Produkt können Sie dann unter Beifügung des Kaufbelegs (Kassenbonn) und der Angabe, worin der Mangel besteht und wann er aufgetreten ist, für Sie portofrei an die Ihnen mitgeteilte Service-Anschrift übersenden.



Auf [www.lidl-service.com](http://www.lidl-service.com) können Sie diese und viele weitere Handbücher, Produktvideos und Software herunterladen.

## Service

### DE Service Deutschland

Tel.: 0800 5435 111 (Kostenfrei aus dem dt. Festnetz/Mobilfunknetz)  
E-Mail: [kompernass@lidl.de](mailto:kompernass@lidl.de)

### AT Service Österreich

Tel.: 0820 201 222 (0,15 EUR/Min.)  
E-Mail: [kompernass@lidl.at](mailto:kompernass@lidl.at)

### CH Service Schweiz

Tel.: 0842 665566 (0,08 CHF/Min., Mobilfunk max. 0,40 CHF/Min.)  
E-Mail: [kompernass@lidl.ch](mailto:kompernass@lidl.ch)

IAN 289615

## Importeur

Bitte beachten Sie, dass die folgende Anschrift keine Serviceanschrift ist. Kontaktieren Sie zunächst die benannte Servicestelle.

KOMPERNASS HANDELS GMBH  
BURGSTRASSE 21  
DE-44867 BOCHUM  
DEUTSCHLAND  
[www.kompernass.com](http://www.kompernass.com)

## Entsorgung



Die Verpackung besteht aus umweltfreundlichen Materialien, die Sie über die örtlichen Recyclingstellen entsorgen können.



**Werfen Sie Elektrowerkzeuge nicht in den Hausmüll!**

Gemäß Europäischer Richtlinie 2012/19/EU über Elektro- und Elektronik-Altgeräte und Umsetzung in nationales Recht müssen verbrauchte Elektrowerkzeuge getrennt gesammelt und einer umweltgerechten Wiederverwertung zugeführt werden.

Möglichkeiten zur Entsorgung des ausgedienten Gerätes erfahren Sie bei Ihrer Gemeinde- oder Stadtverwaltung.

## Original-Konformitätserklärung

Wir, KOMPERNASS HANDELS GMBH, Dokumentenverantwortlicher: Herr Semi Uguzlu, BURGSTR. 21, DE - 44867 BOCHUM, DEUTSCHLAND, erklären hiermit, dass dieses Produkt mit den folgenden Normen, normativen Dokumenten und EG-Richtlinien übereinstimmt:

**Maschinenrichtlinie  
(2006 / 42 / EG)**

**Elektromagnetische Verträglichkeit  
(2014 / 30 / EU)**

**RoHS Richtlinie  
(2011 / 65 / EU)\***

\*Die alleinige Verantwortung für die Ausstellung dieser Konformitätserklärung trägt der Hersteller. Der oben beschriebene Gegenstand der Erklärung erfüllt die Vorschriften der Richtlinie 2011/65/EU des Europäischen Parlaments und des Rates vom 8. Juni 2011 zur Beschränkung der Verwendung bestimmter gefährlicher Stoffe in Elektro- und Elektronikgeräten.

### Angewandte harmonisierte Normen:

EN 60745-1:2009/A11:2010

EN 60745-2-4:2009/A11:2011

EN 62233:2008

EN 55014-1:2006/A2:2011

EN 55014-2:2015

EN 61000-3-2:2014

EN 61000-3-3:2013

### Typ/ Gerätebezeichnung:

Pentaschleifer PPS 200 A1

**Herstellungsjahr: 06-2017**

**Seriennummer: IAN 289615**

Bochum, 01.06.2017



Semi Uguzlu

- Qualitätsmanager -

Technische Änderungen im Sinne der Weiterentwicklung sind vorbehalten.

**KOMPERNASS HANDELS GMBH**

BURGSTRASSE 21

DE - 44867 BOCHUM

GERMANY

[www.kompennass.com](http://www.kompennass.com)

Last Information Update · Stand der Informationen:

06/2017 Ident.-No.: PPS200A1-062017-1

IAN 289615