

# SILVER CREST®



[www.lidl-service.com](http://www.lidl-service.com)



## RECHARGEABLE FLOOR SWEEPER SABD 3.7 LI C2

GB IE NI CY

### RECHARGEABLE FLOOR SWEEPER

Operating instructions

DE AT CH

### AKKU-BESEN

Bedienungsanleitung

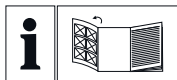
GR CY

### ΕΠΑΝΑΦΟΡΤΙΖΟΜΕΝΗ ΣΚΟΥΠΑ

Οδηγίες χρήσης

IAN 290965

GB IE NI  
CY



GB IE NI CY

Before reading, unfold the page containing the illustrations and familiarise yourself with all functions of the device.

---

GR CY

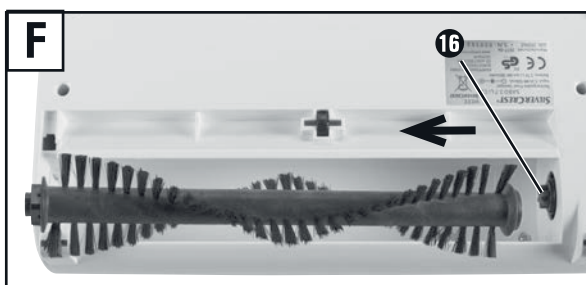
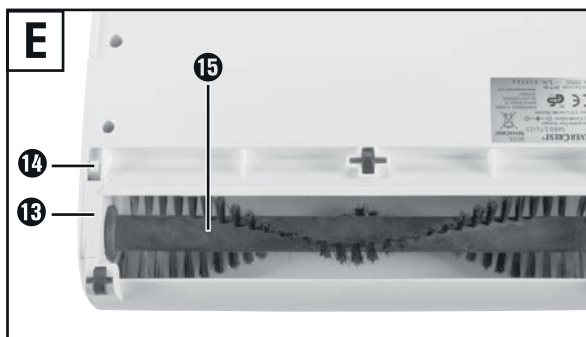
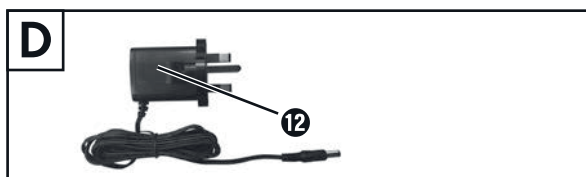
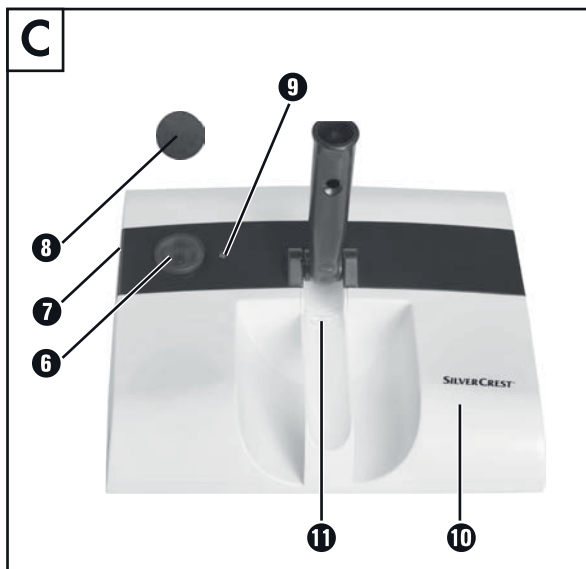
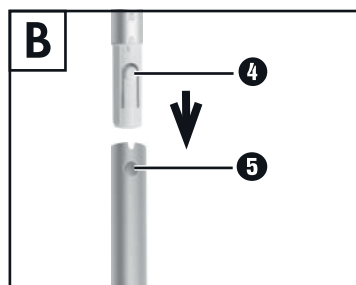
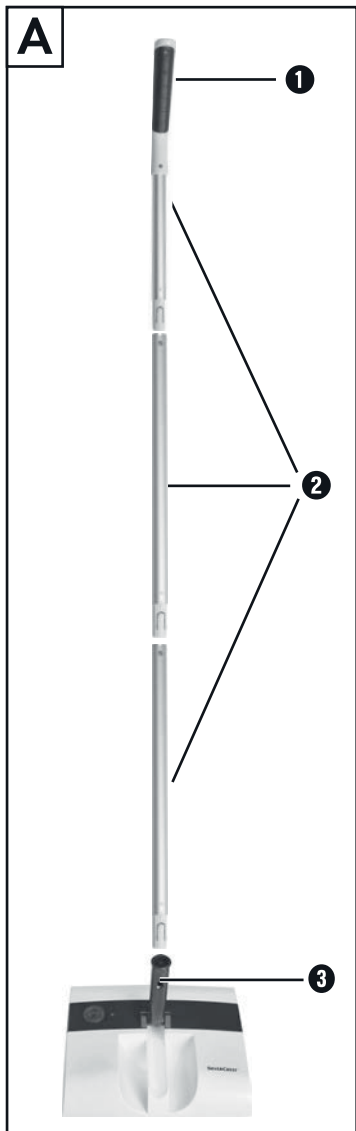
Πριν ξεκινήσετε την ανάγνωση, ανοίξτε τη σελίδα με τις εικόνες και εξοικειωθείτε με όλες τις λειτουργίες της συσκευής.

---

DE AT CH

Klappen Sie vor dem Lesen die Seite mit den Abbildungen aus und machen Sie sich anschließend mit allen Funktionen des Gerätes vertraut.

GB/IE/NI/CY	Operating instructions	Page	1
GR/CY	Οδηγίες χρήσης	Σελίδα	9
DE/AT/CH	Bedienungsanleitung	Seite	17



## Contents

<b>Introduction</b> .....	<b>2</b>
<b>Intended use</b> .....	<b>2</b>
<b>Package contents</b> .....	<b>2</b>
<b>Appliance description</b> .....	<b>2</b>
<b>Technical data</b> .....	<b>2</b>
<b>Safety information</b> .....	<b>3</b>
<b>Before first use</b> .....	<b>4</b>
Assembly of the cordless sweeper .....	4
Charging the battery .....	5
<b>Working with the cordless sweeper</b> .....	<b>5</b>
<b>Cleaning and Care</b> .....	<b>5</b>
Housing .....	6
Dirt container .....	6
Rotary brush .....	6
<b>Storage</b> .....	<b>6</b>
<b>Troubleshooting</b> .....	<b>6</b>
<b>Disposal</b> .....	<b>7</b>
Disposal of the appliance .....	7
Disposal of the battery charger .....	7
Disposal of packaging .....	7
<b>Kompernass Handels GmbH warranty</b> .....	<b>7</b>
Service .....	8
Importer .....	8

## Introduction

Congratulations on the purchase of your new appliance.

You have selected a high-quality product. The operating instructions are part of this product. They contain important information about safety, usage and disposal. Before using the product, please familiarise yourself with all operating and safety instructions. Use the product only as described and for the range of applications specified. Please also pass these operating instructions on to any future owner.

## Intended use

This appliance is intended only for sweeping dry dirt in dry, enclosed rooms.

The appliance is intended exclusively for domestic use.

Not for commercial use. Use the appliance only as described in this manual.

## Package contents

- Rechargeable Floor Sweeper
- Charger
- Handle (3 handle elements, of which one with handgrip)
- Operating instructions

## Appliance description

Figure A:

- 1 Grip
- 2 Handle (3 elements)
- 3 Holder

Figure B:

- 4 Button on push-in connection
- 5 Recess on handle

Figure C:

- 6 On/Off switch
- 7 Charging socket
- 8 Plastic cap/transport securing appliance
- 9 Charge indicator

10 Dirt container

11 Release knob

Figure D:

12 Charger

Figure E:

13 Cover

14 Catch

15 Rotary brush

Figure F:

16 Driveshaft

## Technical data

### Charger

Input: 100 - 240 V ~, 50 / 60 Hz, 0.1 A max.

Output: 5.3 V = (direct current) 500 mA

Type designation: GPE003W-053050-3

Protection class: II/□

Efficiency class 5: **V**

Manufacturer: Golden Profit Electronics LTD

Polarity of coaxial connector:



Limited power source (LPS) 2.65 W

The power supply complies with the requirements for a limited power source (LPS) as per EN 60950-1.

### Cordless sweeper

Input voltage/current: 5.3 V = 500 mA

Battery working voltage: 3.7 V

Battery: lithium ion battery  
1 x 3.7 V, 1800 mAh

Polarity:

Charging time with empty battery Akku: 5 hrs.

Operating time with full battery charge (depending on floor covering): approx. 50 min.

## Safety information

### **⚠ DANGER – RISK OF ELECTRICAL SHOCK!**

- ▶ Never charge the appliance with a damaged mains adapter!  
To avoid risks, replace a damaged power adapter immediately.  
To do this, contact Customer Services.
- ▶ To avoid risks, arrange to have damaged power cables and/or plugs replaced as soon as possible by a qualified specialist.



Do not use the mains adapter outside.

- ▶ Ensure that the power cable does not become wet or moist during use.  
Route the cable in such a way that it cannot be crushed or damaged.

### **⚠ WARNING! RISK OF INJURY!**

- ▶ Operate the appliance only with the supplied accessories.
- ▶ Do not use the appliance to sweep exposed concrete, gravel or similar surfaces.
- ▶ Do not use the appliance to clean deep-pile carpets or wet floor coverings.
- ▶ This appliance may be used by children aged 8 years and above or by persons with limited physical, sensory or mental capabilities or lack of experience and knowledge, provided that they are under supervision or have been told how to use the appliance safely and are aware of the potential risks.
- ▶ Do not allow children to use the appliance as a plaything.
- ▶ Cleaning and user maintenance tasks may not be carried out by children unless they are supervised.
- ▶ Only use this appliance for its intended purpose as described in this operating instructions.

## ⚠ WARNING! RISK OF INJURY!

- ▶ This product contains rechargeable batteries. Do not throw the batteries into a fire and do not subject them to high temperatures. There is a risk of explosion!
- ▶ Do not use the appliance as a toy.
- ▶ Never leave children unsupervised in the vicinity of the appliance!

## ATTENTION! PROPERTY DAMAGE!

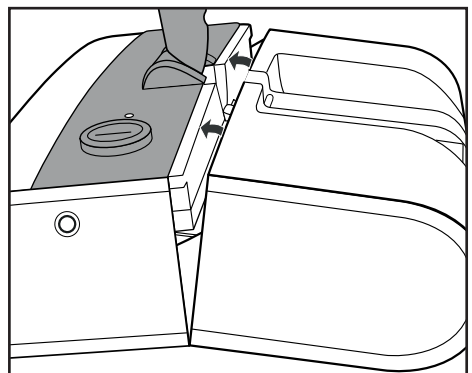
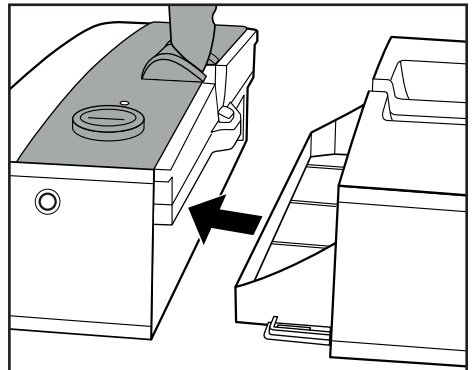
- ▶ Only charge the appliance with the mains adapter/charger supplied (Type GPE003W-053050-3)!
- ▶ Only this cordless sweeper may be charged with the supplied battery charger; the charger is not suitable for other batteries.
- ▶ Never attempt to recharge non-rechargeable batteries.

## Before first use

- Remove the packaging material from the appliance including the plastic cap ⑧, which safeguards the on/off switch ⑥ from unintentional pressure during transport.

## Assembly of the cordless sweeper

- Attach the handle ②:
  - Fit the 3 handle elements ② together by pushing the push-in connection into the handle. Press the knob ④ on the push-in connection inwards and push it into the handle so that the head ④ engages in the recess on the handle ⑤. The handle elements are now firmly fixed together (see Figure B on the foldout page).
  - Push the assembled handle ② with the push-in connection into the holder ③ on the appliance and rotate the handle until it engages.
- Fitting the dirt container ⑩ on the appliance:



- Push the dirt container **10** into the appliance with a slight tilting movement. Ensure that the dirt container **10** engages in the push-in connection **11**.

## Charging the battery

To ensure that the battery reaches its full performance potential, it is necessary to charge the battery for around 5 hours before the first use. Further charges will take up to 5 hours depending on the discharge level of the battery.

With a fully charged battery, the appliance provides an operating time of 50 minutes before recharging will be again required.

### ATTENTION! PROPERTY DAMAGE!

- ▶ Only use the charger **12** supplied.
- ▶ Operate the appliance only with the battery fitted.
- ▶ Never attempt to remove the battery to recharge it.
- ▶ Do not attempt to open the battery housing or dismantle the battery. This will destroy it.

- 1) To charge the battery, ensure that the cordless sweeper is switched off. If necessary, switch it off using the on/off switch **6**.

### NOTE

Do not use the cordless sweeper when it is connected to the charger **12**!

- 2) Insert the battery charger plug **12** into the charging socket **7** on the appliance and then plug the mains plug into a mains socket.
- 3) While the battery is charging, the charge indicator **9** lights up red. If this is not the case, check the connectors and whether the cordless sweeper is switched off.
- 4) Once the battery is fully charged, the charge indicator **9** lights up green. You can now use the appliance with full power again.
- 5) First unplug the charger **12** from the mains power socket and then the charger plug **12** from the charging socket **7** on the appliance.

## Working with the cordless sweeper

### ⚠ WARNING! RISK OF INJURY!

Make sure you keep the rotating brush **15**, rods and appliance openings away from your face and body.

### NOTE

Never use the appliance without the dirt container **10** attached. The dirt will simply be swirled up!

- Press the on/off switch **6** to switch the cordless sweeper on.
- Move the cordless sweeper backwards and forwards across the floor.
- If you press the on/off button **6** again, the appliance will switch off

You can leave the handle **2** engaged in the vertical position during breaks.

### NOTE

On some kinds of carpets, the cordless sweeper may clatter or jump. If this is the case, work slowly and in the opposite direction to the carpet pile.

## Cleaning and Care

### ⚠ DANGER – RISK OF ELECTRICAL SHOCK!

- ▶ Do not clean the appliance while charging it. Always disconnect the battery charger **12** from the mains power socket before cleaning the appliance!



NEVER immerse the appliance in water or any other liquid!

### ⚠ WARNING! RISK OF INJURY!

Ensure that the appliance is not accidentally switched on without the dirt container **10** attached or while cleaning the rotary brush **15**. Risk of injury!



## ATTENTION! PROPERTY DAMAGE!

- ▶ Do not use abrasive or aggressive cleaning materials. These may damage the surfaces.

## Housing

- Wipe off the appliance housing with a damp cloth. If required, use a mild washing-up liquid on the cloth.
- Ensure that the appliance is completely dry before reconnecting it with the battery charger 12.

## Dirt container

To ensure that the performance of the cordless sweeper does not deteriorate, empty the dirt container 10 after every use.

- Press the push-in connection 11 on the dirt container 10 and pull it off.
- Empty the dirt container 10 and push it back onto the appliance so that it sits firmly on the appliance and clicks into place on the release knob 11.

## Rotary brush

If the rotary brush 15 stops turning because of a severe dirt accumulation or because threads have caught around it, proceed as follows:

Dismount the rotary brush 15. While doing this, observe Figures E and F on the fold-out page in this instruction manual:

- 1) Turn the cordless sweeper around and hold it so that the rotary brush 15 is facing you.
- 2) Pull the hook on the locking appliance 14 and take the side cover 13 off.
- 3) Pull the rotary brush 15 upwards out of the appliance and then pull it out to the side.
- 4) Remove any dirt (on both sides of the brush bristles) and clean the rotary brush 15. To do this, take a damp cloth and wipe the individual bristle bundles from the inside to the outside.

Replace the rotary brush 15.

- 1) Push the round side of the rotary brush 15 onto the drive shaft 16.
- 2) In Push the square end of the rotary brush 15 into the housing so that the rotary brush 15 sits straight in the housing again.
- 3) Replace the cover 13 and screw it down firmly. Ensure that the locking appliance engages properly.

## Storage

### ATTENTION! PROPERTY DAMAGE!

- ▶ Ensure that the appliance is switched off before putting it away. Otherwise the battery could be damaged by excessive discharging.
- Store the cleaned appliance in a clean, dust-free and dry place.

## Troubleshooting

### The appliance will not start.

- The battery is discharged. Recharge the appliance.
- The appliance is defective. Contact the Customer Service department.

### The rotary brush 15 generates loud noises when revolving.

- The rotary brush 15 is soiled. Clean the rotary brush 15.
- The rotary brush 15 is not inserted properly. Check whether the rotary brush 15 is correctly fitted and correct the fitting if required.

## Disposal

### Disposal of the appliance



**Never dispose of the appliance in your normal domestic waste. This product is subject to the provisions of European Directive 2012/19/EU.**

Dispose of the appliance via an approved disposal company or your municipal waste facility. Please comply with all applicable regulations. Please contact your waste disposal centre if you are in any doubt.

#### NOTE

- ▶ The integrated rechargeable battery in this appliance cannot be removed for disposal.

### Disposal of the battery charger



**Do not dispose of the battery charger in your normal domestic waste. This product is subject to the provisions of European Directive 2012/19/EU.**

Dispose of the battery charger via an approved disposal company or your municipal waste facility. Please comply with all applicable regulations. Please contact your waste disposal facility if you are in any doubt.

### Disposal of packaging

The packaging protects the device from damage during transport. The packaging materials have been selected for their environmental friendliness and ease of disposal, and are therefore recyclable.



Returning the packaging to the material cycle conserves raw materials and reduces the amount of waste that is generated. Dispose of packaging materials which are no longer needed in accordance with applicable local regulations.



The packaging of this appliance is made of card.

## Kompnass Handels GmbH warranty

Dear Customer,

This appliance has a 3-year warranty valid from the date of purchase. If this product has any faults, you, the buyer, have certain statutory rights. Your statutory rights are not restricted in any way by the warranty described below.

### Warranty conditions

The validity period of the warranty starts from the date of purchase. Please keep your original receipt in a safe place. This document will be required as proof of purchase.

If any material or production fault occurs within three years of the date of purchase of the product, we will either repair or replace the product for you at our discretion. This warranty service is dependent on you presenting the defective appliance and the proof of purchase (receipt) and a short written description of the fault and its time of occurrence.

If the defect is covered by the warranty, your product will either be repaired or replaced by us. The repair or replacement of a product does not signify the beginning of a new warranty period.

## Warranty period and statutory claims for defects

The warranty period is not prolonged by repairs effected under the warranty. This also applies to replaced and repaired components. Any damage and defects present at the time of purchase must be reported immediately after unpacking. Repairs carried out after expiry of the warranty period shall be subject to a fee.

## Scope of the warranty

This appliance has been manufactured in accordance with strict quality guidelines and inspected meticulously prior to delivery.

The warranty covers material faults or production faults. The warranty does not extend to product parts subject to normal wear and tear or fragile parts such as switches, batteries, baking moulds or parts made of glass.

The warranty does not apply if the product has been damaged, improperly used or improperly maintained. The directions in the operating instructions for the product regarding proper use of the product are to be strictly followed. Uses and actions that are discouraged in the operating instructions or which are warned against must be avoided.

This product is intended solely for private use and not for commercial purposes. The warranty shall be deemed void in cases of misuse or improper handling, use of force and modifications/repairs which have not been carried out by one of our authorised Service centres.

## Warranty claim procedure

To ensure quick processing of your case, please observe the following instructions:

- Please have the till receipt and the item number (e.g. IAN 12345) available as proof of purchase.
- You will find the item number on the type plate, an engraving on the front page of the instructions (bottom left), or as a sticker on the rear or bottom of the appliance.
- If functional or other defects occur, please contact the service department listed either by **telephone** or by **e-mail**.

- You can return a defective product to us free of charge to the service address that will be provided to you. Ensure that you enclose the proof of purchase (till receipt) and information about what the defect is and when it occurred.



You can download these instructions along with many other manuals, product videos and software on [www.lidl-service.com](http://www.lidl-service.com).

## Service

### GB Service Great Britain

Tel.: 0871 5000 720 (£ 0.10/Min.)

E-Mail: [kompernass@lidl.co.uk](mailto:kompernass@lidl.co.uk)

### IE Service Ireland

Tel.: 1 890 930 034

(0,08 EUR/Min., (peak))

(0,06 EUR/Min., (off peak))

E-Mail: [kompernass@lidl.ie](mailto:kompernass@lidl.ie)

### CY Service Cyprus

Tel.: 8009 4409

E-Mail: [kompernass@lidl.com.cy](mailto:kompernass@lidl.com.cy)

IAN 290965

## Importer

Please note that the following address is not the service address. Please use the service address provided in the operating instructions.

KOMPERNASS HANDELS GMBH

BURGSTRASSE 21

DE-44867 BOCHUM

GERMANY

[www.kompernass.com](http://www.kompernass.com)

## Περιεχόμενα

<b>Εισαγωγή</b> .....	<b>10</b>
<b>Προβλεπόμενη χρήση</b> .....	<b>10</b>
<b>Παραδοτέος εξοπλισμός</b> .....	<b>10</b>
<b>Περιγραφή συσκευής</b> .....	<b>10</b>
<b>Τεχνικά χαρακτηριστικά</b> .....	<b>10</b>
<b>Υποδείξεις ασφαλείας</b> .....	<b>11</b>
<b>Πριν την πρώτη χρήση</b> .....	<b>12</b>
Συναρμολόγηση της επαναφορτιζόμενης σκούπας .....	12
Φόρτιση συσσωρευτή .....	13
<b>Εργασία με το επαναφορτιζόμενο σκουπάκι</b> .....	<b>13</b>
<b>Καθαρισμός και φροντίδα</b> .....	<b>13</b>
Περιβλημα .....	14
Δοχείο ακαθαρσιών .....	14
Κύλινδρος βούρτσας .....	14
<b>Φύλαξη</b> .....	<b>14</b>
<b>Διόρθωση σφαλμάτων</b> .....	<b>14</b>
<b>Απόρριψη</b> .....	<b>15</b>
Απόρριψη συσκευής .....	15
Απόρριψη φορτιστή .....	15
Απόρριψη της συσκευασίας .....	15
<b>Εγγύηση της Kompernass Handels GmbH</b> .....	<b>15</b>
Σέρβις .....	16
Εισαγωγέας .....	16

## Εισαγωγή

Συγχαρητήρια για την αγορά της νέας σας συσκευής. Αποφασίσατε έτσι για την απόκτηση ενός προϊόντος υψηλής ποιότητας. Οι οδηγίες χρήσης είναι τμήμα αυτού του προϊόντος. Περιέχουν σημαντικές υποδείξεις για την ασφάλεια, τη χρήση και την απόρριψη. Πριν από τη χρήση του προϊόντος, εξοικειωθείτε με όλες τις υποδείξεις χειρισμού και ασφάλειας. Χρησιμοποιείτε το προϊόν μόνο όπως περιγράφεται και για τους αναφερόμενους τομείς χρήσης. Παραδώστε όλα τα έγγραφα σε περίπτωση παράδοσης του προϊόντος σε τρίτους.

## Προβλεπόμενη χρήση

Αυτή η συσκευή προορίζεται αποκλειστικά για το σκούπισμα ξηρής σκόνης σε ξηρούς κλειστούς χώρους. Η συσκευή προορίζεται αποκλειστικά για ιδιωτική χρήση. Μη χρησιμοποιείτε τη συσκευή για επαγγελματικούς σκοπούς. Χρησιμοποιείτε τη συσκευή μόνο όπως περιγράφεται στις παρούσες οδηγίες.

## Παραδοτέος εξοπλισμός

- Επαναφορτιζόμενη σκούπα
- Φορτιστής
- Ράβδος (3 στοιχεία ράβδου, εκ των οποίων ένα με λαβή)
- Οδηγίες χρήσης

## Περιγραφή συσκευής

Εικόνα A:

- 1 Λαβή
- 2 Ράβδος (3 στοιχεία)
- 3 Στήριγμα

Εικόνα B:

- 4 Κουμπί στη σύνδεση
- 5 Εγκοπή στη ράβδο

Εικόνα C:

- 6 Διακόπτης On/Off
- 7 Υποδοχή φόρτισης
- 8 Πλαστικό πώμα/Ασφάλεια μεταφοράς
- 9 Ένδειξη φόρτισης
- 10 Δοχείο ακαθαρσιών

- 11 Κουμπί απασφάλισης

Εικόνα D:



- 12 Φορτιστής

Εικόνα E:

- 13 Κάλυμμα
  - 14 Ασφάλεια
  - 15 Κύλινδρος βούρτσας
- Εικόνα F:
- 16 Άξονας κίνησης

## Τεχνικά χαρακτηριστικά

### Φορτιστής

Εισόδος:	100 - 240 V ~, 50 / 60 Hz, 0,1 A max.
Εξόδος:	5,3 V --- (Συνεχές ρεύμα) 500 mA
Περιγραφή τύπου:	GPE003W-053050-3
Κατηγορία προστασίας:	II / 
Κατηγορία απόδοσης 5:	
Κατασκευαστής:	Golden Profit Electronics LTD

Πολικότητα του κοίλου

βύσματος:



Limited Power Source (LPS) 2,65 W

Η τροφοδοσία τάσης πληροί τις προϋποθέσεις περιορισμένης ισχύος σε πηγές ρεύματος (Limited Power Source, LPS) σύμφωνα με το πρότυπο EN 60950-1.

### Επαναφορτιζόμενο σκουπάκι

Τάση/ρεύμα εισόδου:	5,3 V --- 500 mA
Τάση λειτουργίας συσσωρευτή:	3,7 V
Συσσωρευτής:	λιθίου-iónτων 1 x 3,7 V, 1800 mAh

Πολικότητα:



Χρόνος φόρτισης με  
άδειο συσσωρευτή:

5 ώρες.

Χρόνος λειτουργίας σε πλήρη φόρτιση  
συσσωρευτή (αναλόγως της επένδυσης  
δαπέδου): περ. 50 λεπτά

## Υποδείξεις ασφαλείας

### **⚠ ΚΙΝΔΥΝΟΣ ΗΛΕΚΤΡΟΠΛΗΞΙΑΣ!**

- ▶ Ποτέ μη φορτίζετε τη συσκευή με φθαρμένο τροφοδοτικό! Αντικαθιστάτε αμέσως τα φθαρμένα τροφοδοτικά, ώστε να αποφεύγετε κινδύνους. Για το σκοπό αυτό, απευθυνθείτε στο τμήμα εξυπηρέτησης πελατών.
- ▶ Η αντικατάσταση φθαρμένων βυσμάτων ή καλωδίων στο τροφοδοτικό πρέπει να πραγματοποιείται άμεσα από εξουσιοδοτημένο ειδικό προσωπικό, ώστε να αποφεύγονται κίνδυνοι.



Μη χρησιμοποιείτε τον προσαρμογέα δικτύου σε εξωτερικούς χώρους.

- ▶ Προσέχετε ώστε κατά τη λειτουργία το καλώδιο να μη βρέχεται ή υγραίνεται. Περνάτε το κατά τέτοιο τρόπο, ώστε να μην πιάνεται ή φθείρεται.

### **⚠ ΠΡΟΕΙΔΟΠΟΙΗΣΗ! ΚΙΝΔΥΝΟΣ ΤΡΑΥΜΑΤΙΣΜΟΥ!**

- ▶ Χρησιμοποιείτε τη συσκευή μόνο με τα επισυναπτόμενα εξαρτήματα.
- ▶ Μη χρησιμοποιείτε τη συσκευή για να σκουπίσετε ζεπλυμένο μπετόν, έρμα και παρόμοιες επιφάνειες.
- ▶ Μη χρησιμοποιείτε τη συσκευή για να καθαρίσετε χαλιά με ψηλό πέλος και υγρές επενδύσεις δαπέδου.
- ▶ Αυτή η συσκευή επιτρέπεται να χρησιμοποιείται από παιδιά άνω των 8 ετών, καθώς και από άτομα με περιορισμένες φυσικές, αισθητηριακές ή νοητικές ικανότητες ή ελλείψεις από άποψη εμπειρίας και γνώσεων, εφόσον επιτηρούνται ή έχουν ενημερωθεί αναφορικά με την ασφαλή χρήση της συσκευής και κατανοούν τους προκύπτοντες κινδύνους.
- ▶ Τα παιδιά δεν επιτρέπεται να παίζουν με τη συσκευή.
- ▶ Ο καθαρισμός και η συντήρηση χρήστη δεν επιτρέπεται να διεξάγονται από παιδιά, χωρίς επιτήρηση.
- ▶ Χρησιμοποιείτε αυτή τη συσκευή μόνο για τη σύμφωνη με τους κανονισμούς χρήση σύμφωνα με την περιγραφή σε αυτές τις οδηγίες χρήσης.

## ⚠ ΠΡΟΕΙΔΟΠΟΙΗΣΗ! ΚΙΝΔΥΝΟΣ ΤΡΑΥΜΑΤΙΣΜΟΥ!

- ▶ Αυτό το προϊόν περιλαμβάνει επαναφορτιζόμενους συσσωρευτές. Μην πετάτε τους συσσωρευτές στη φωτιά και μην τους εκθέτετε σε υψηλές θερμοκρασίες. Υπάρχει κίνδυνος έκρηξης!
- ▶ Μη χρησιμοποιείτε τη συσκευή ως παιχνίδι.
- ▶ Μην αφήνετε μικρά παιδιά χωρίς επιτήρηση με τη συσκευή.

## ΠΡΟΣΟΧΗ! ΥΛΙΚΕΣ ΖΗΜΙΕΣ!

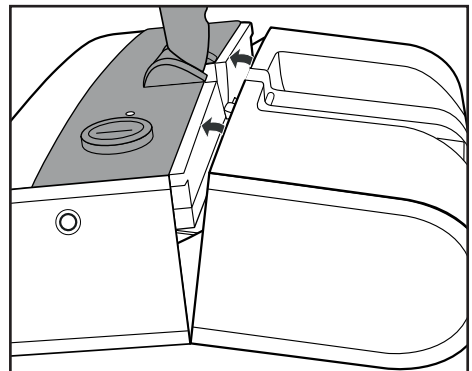
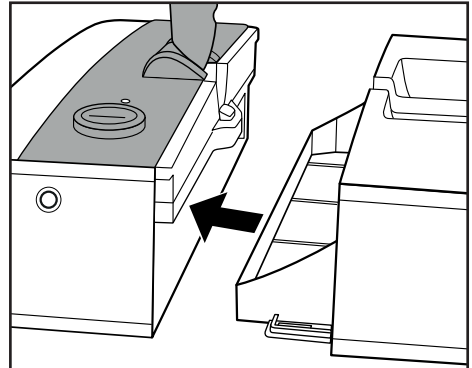
- ▶ Φορτίζετε τη συσκευή μόνο με τον επισυναπτόμενο προσαρμογέα δικτύου/το φορτιστή (τύπος GPE003W-053050-3)!
- ▶ Με τον παραδοτέο φορτιστή επιτρέπεται να φορτίζεται αποκλειστικά το επαναφορτιζόμενο σκουπάκι, ο φορτιστής δεν ενδείκνυται για άλλους συσσωρευτές.
- ▶ Ποτέ μην προσπαθείτε να φορτίσετε μη επαναφορτιζόμενες μπαταρίες.

## Πριν την πρώτη χρήση

- Απομακρύνετε όλα τα υλικά συσκευασίας από τη συσκευή, καθώς και το πλαστικό πώμα ❸ που ασφαλίσει το διακόπτη On/Off ❹ από κατά λάθος πάτημα κατά τη μεταφορά.

## Συναρμολόγηση της επαναφορτιζόμενης σκούπας

- Τοποθετήστε τη ράβδο ❷:
  - Ενώστε τα 3 στοιχεία της ράβδου ❷, σπρώχνοντας τη σύνδεση μέσα στη ράβδο. Πιέστε το κουμπί ❹ στη σύνδεση και σπρώξτε τη κατά τέτοιο τρόπο μέσα στη ράβδο, ώστε το κουμπί ❹ να ασφαλίσει στην εγκόπη της ράβδου ❺. Τα στοιχεία της ράβδου είναι πλέον καλά συνδεδεμένα (βλ. Εικόνα Β στην αναδιπλούμενη σελίδα).
  - Περάστε τη συναρμολογημένη ράβδο ❷ με τη σύνδεση μέσα στο στήριγμα ❸ της συσκευής και περιστρέψτε τη ράβδο, έως ότου ασφαλίσει.
- Τοποθετήστε το δοχείο ακαθαρσιών ❶ στη συσκευή.



- Σπρώξτε το δοχείο ακαθαρσιών **10** μέσα στη συσκευή με μία ελαφριά κλίση. Το δοχείο ακαθαρσιών **10** θα πρέπει να ασφαλίσει στο κουμπί απασφάλισης **11**.

## Φόρτιση συσσωρευτή

Προκειμένου για να διατηρήσει ο συσσωρευτής πλήρη αποδοτικότητα, πρέπει, πριν την πρώτη χρήση, να φορτιστεί για περ. 5 ώρες. Οι περαιτέρω φορτίσεις χρειάζονται έως και 5 ώρες, αναλόγως της εκφόρτισης του συσσωρευτή.

Όταν ο συσσωρευτής είναι πλήρως φορτισμένος, η συσκευή διασφαλίζει λειτουργία διάρκειας περ. 50 λεπτών, προτού χρειαστεί εκ νέου φόρτιση.

### ΠΡΟΣΟΧΗ! ΥΛΙΚΕΣ ΖΗΜΙΕΣ!

- ▶ Χρησιμοποιείτε μόνο τον εσώκλειστο φορτιστή **12**.
- ▶ Λειτουργείτε τη συσκευή μόνο με τον ενσωματωμένο συσσωρευτή.
- ▶ Μην προσπαθείτε να αποσυναρμολογήσετε το συσσωρευτή για τη φόρτιση.
- ▶ Μην προσπαθείτε να ανοίξετε το περίβλημα του συσσωρευτή ή να τον τεμαχίσετε, διότι ο συσσωρευτής θα καταστραφεί.

- 1) Για να φορτίσετε το συσσωρευτή, βεβαιωθείτε ότι το επαναφορτιζόμενο σκουπάκι είναι απενεργοποιημένο. Εάν χρειαστεί, απενεργοποιήστε το από το διακόπτη On/Off **6**.

### ΥΠΟΔΕΙΞΗ

Μη χρησιμοποιείτε το επαναφορτιζόμενο σκουπάκι, όταν η συσκευή είναι συνδεδεμένη με το φορτιστή **12**!

- 2) Τοποθετήστε το βύσμα του φορτιστή **12** στην υποδοχή φόρτισης **7** της συσκευής και στη συνέχεια το βύσμα σε μία πρίζα.
- 3) Κατά τη διαδικασία φόρτισης, ανάβει η κόκκινη ένδειξη φόρτισης **9**. Εάν αυτό δε συμβαίνει, ελέγξτε τις συνδέσεις και εάν το επαναφορτιζόμενο σκουπάκι είναι απενεργοποιημένο.
- 4) Μόλις ο συσσωρευτής φορτίσει, η ένδειξη φόρτισης **9** ανάβει πράσινη. Τώρα μπορείτε να χρησιμοποιήσετε τη συσκευή με πλήρη ισχύ.
- 5) Αποσυνδέστε το φορτιστή **12** από την πρίζα και το βύσμα του φορτιστή **12** από την υποδοχή φόρτισης **7** στη συσκευή.

## Εργασία με το επαναφορτιζόμενο σκουπάκι

### ⚠ ΠΡΟΕΙΔΟΠΟΙΗΣΗ! ΚΙΝΔΥΝΟΣ ΤΡΑΥΜΑΤΙΣΜΟΥ!

Διατηρείτε τον περιστρεφόμενο κύλινδρο βούρτσας **15**, τις ράβδους και τα ανοίγματα της συσκευής μακριά από το πρόσωπο και το σώμα.

### ΥΠΟΔΕΙΞΗ

Μη χρησιμοποιείτε ποτέ τη συσκευή εάν έχετε αφαιρέσει το δοχείο ακαθαρσιών **10**. Αυτό θα σκόρπιζε απλά τις ακαθαρσίες!

- Πιέστε το διακόπτη On/Off **6**, για να ενεργοποιήσετε το επαναφορτιζόμενο σκουπάκι.
- Οδηγήστε, τώρα, το επαναφορτιζόμενο σκουπάκι μπροστά και πίσω επάνω στο έδαφος.
- Πιέζοντας ξανά το διακόπτη On/Off **6** η συσκευή απενεργοποιείται.

Κατά τα διαλείμματα, μπορείτε να ασφαλίσετε τη ράβδο **2** σε κάθετη θέση.


### ΥΠΟΔΕΙΞΗ

Σε ορισμένα είδη χαλιών, το επαναφορτιζόμενο σκουπάκι μπορεί να κάνει θόρυβο ή να αναπηδά. Σε αυτήν την περίπτωση, πρέπει να το λειτουργείτε αργά και σε αντίθετη φορά.

## Καθαρισμός και φροντίδα

### ⚠ ΚΙΝΔΥΝΟΣ ΗΛΕΚΤΡΟΠΛΗΘΙΑΣ!

- ▶ Μην καθαρίζετε τη συσκευή κατά τη διάρκεια της διαδικασίας φόρτισης. Αποσυνδέετε πάντα το φορτιστή **12** πριν τον καθαρισμό της συσκευής από την πρίζα!

 Ποτέ μη βυθίζετε τη συσκευή σε νερό ή σε άλλα υγρά!



## **⚠ ΠΡΟΕΙΔΟΠΟΙΗΣΗ! ΚΙΝΔΥΝΟΣ ΤΡΑΥΜΑΤΙΣΜΟΥ!**

Προσέχετε ώστε η συσκευή να μην ενεργοποιείται κατά λάθος, εάν έχει αφαιρεθεί το δοχείο ακαθαρσιών **10** ή κατά τον καθαρισμό του κυλίνδρου βούρτσας **15**. Κίνδυνος τραυματισμού!

## **ΠΡΟΣΟΧΗ! ΥΛΙΚΕΣ ΖΗΜΙΕΣ!**

► Μη χρησιμοποιείτε τριβικά ή επιθετικά απορροπαντικά. Αυτά μπορεί να φθείρουν τις επιφάνειες.

## **Περιβλήμα**

- Σκουπίζετε το περίβλημα της συσκευής με ένα νωπό πανί. Εάν χρειαστεί, βάλτε ένα ήπιο απορροπαντικό στο πανί.
- Προσέξτε ώστε η συσκευή να είναι πλήρως στεγνή, προτού τη συνδέσετε πάλι με το φορτιστή **12**.

## **Δοχείο ακαθαρσιών**

Προκειμένου να διατηρήσετε την αποδοτικότητα της επαναφορτιζόμενης σκούπας, αδειάζετε το δοχείο ακαθαρσιών **10** μετά από κάθε χρήση.

- Πιέστε το κουμπί απασφάλισης **11** του δοχείου ακαθαρσιών **10** και αφαιρέστε το.
- Αδειάστε το δοχείο ακαθαρσιών **10** και σπρώξτε το πάλι στη συσκευή, μέχρι να καθίσει καλά και να ασφαλίσει στο κουμπί απασφάλισης **11**.

## **Κυλίνδρος βούρτσας**

Εάν ο κύλινδρος βούρτσας **15** δεν περιστρέφεται πλέον, διότι έχουν συσσωρευτεί μεγάλες ακαθαρσίες ή κλωστές, προχωρήστε ως εξής:

Αποσυναρμολογήστε τον κύλινδρο βούρτσας **15**. Προσέξτε σχετικά την Εικόνα Ε και F στην αναδιπλούμενη σελίδα αυτών των οδηγιών χρήσης:

- 1) Γυρίστε από την άλλη το επαναφορτιζόμενο σκουπάκι και κρατήστε το έτσι, ώστε ο κύλινδρος βούρτσας **15** να δείχνει προς τα εσάς.
- 2) Τραβήξτε το άγκιστρο της ασφάλειας **14** και αφαιρέστε το πλαϊνό κάλυμμα **13**.
- 3) Τραβήξτε τον κύλινδρο της βούρτσας **15** προς τα επάνω έξω από το περίβλημα και στη συνέχεια προς το πλάι.

- 4) Απομακρύνετε τις ακαθαρσίες (και από τις δύο πλευρές των τριχών) και καθαρίστε τον κύλινδρο της βούρτσας **15**. Για το σκοπό αυτό, χρησιμοποιήστε ένα νωπό πανί και σκουπίστε από μέσα προς τα έξω τις μεμονωμένες δέσμες τριχών.

Τοποθετήστε πάλι τον κύλινδρο της βούρτσας **15**:

- 1) Σπρώξτε τη στρογγυλή πλευρά του κυλίνδρου της βούρτσας **15** στον άξονα μετάδοσης κίνησης **16**.
- 2) Σπρώξτε το γωνιακό άκρο του κυλίνδρου της βούρτσας **15** μέσα στο περίβλημα, ώστε ο κύλινδρος της βούρτσας **15** να κάτσει και πάλι ίσια στο περίβλημα.
- 3) Τοποθετήστε πάλι το κάλυμμα **13** επάνω στο περίβλημα. Η ασφάλεια θα πρέπει να ασφαλίζει.

## **Φύλαξη**

### **ΠΡΟΣΟΧΗ! ΥΛΙΚΕΣ ΖΗΜΙΕΣ!**

► Βεβαιωθείτε ότι η συσκευή είναι απενεργοποιημένη όταν την αποθηκεύετε. Ειδικά, ο συσσωρευτής μπορεί να καταστραφεί λόγω βαθιάς εκφόρτισης.

- Φυλάξτε την καθαρή συσκευή σε έναν καθαρό και στεγνό χώρο χωρίς σκόνη.

## **Διόρθωση σφαλμάτων**

Η συσκευή δεν εκκινείται.

- Η συσκευή έχει αποφορτιστεί. Επαναφορτίστε τη συσκευή.
- Η συσκευή είναι ελαττωματική. Απευθυνθείτε στο τμήμα σέρβις.

Ο κύλινδρος βούρτσας **15** παράγει δυνατούς θορύβους κατά την περιστροφή.

- Ο κύλινδρος βούρτσας **15** είναι βρώμικος. Καθαρίστε τον κύλινδρο βούρτσας **15**.
- Ο κύλινδρος βούρτσας **15** δεν έχει τοποθετηθεί σωστά. Ελέγξτε εάν ο κύλινδρος βούρτσας **15** έχει τοποθετηθεί σωστά και, εάν χρειάζεται, διορθώστε αναλόγως.

## Απόρριψη

### Απόρριψη συσκευής



**Σε καμία περίπτωση μην απορρίψετε τη συσκευή στα οικιακά απορρίμματα. Αυτό το προϊόν υπόκειται στην Ευρωπαϊκή Οδηγία 2012/19/ΕΥ.**

Απορρίψτε τη συσκευή μέσω μιας εγκεκριμένης επιχείρησης απόρριψης ή μέσω της κοινοτικής επιχείρησης απόρριψης. Τηρείτε τις ισχύουσες προδιαγραφές. Σε περίπτωση αμφιβολιών, επικοινωνείτε με την αρμόδια επιχείρηση απόρριψης.

#### ΥΠΟΔΕΙΞΗ

- Ο ενσωματωμένος συσσωρευτής αυτής της συσκευής δεν μπορεί να απομακρυνθεί για λόγους απόρριψης.

### Απόρριψη φορτιστή



**Σε καμία περίπτωση μην απορρίψετε το φορτιστή στα οικιακά απορρίμματα. Αυτό το προϊόν υπόκειται στην Ευρωπαϊκή Οδηγία 2012/19/ΕΥ.**

Απορρίψτε το φορτιστή μέσω μιας εγκεκριμένης επιχείρησης απόρριψης ή μέσω της κοινοτικής επιχείρησης απόρριψης. Τηρείτε τις ισχύουσες προδιαγραφές. Σε περίπτωση αμφιβολιών, επικοινωνείτε με την αρμόδια επιχείρηση απόρριψης.

### Απόρριψη της συσκευασίας

Η συσκευασία αποτελείται από φιλικά προς το περιβάλλον υλικά, τα οποία μπορείτε να απορρίψετε μέσω των τοπικών υπηρεσιών ανακύκλωσης. Η συσκευασία προστατεύει τη συσκευή από ζημιές κατά τη μεταφορά. Τα υλικά συσκευασίας έχουν επιλεγεί σύμφωνα με τους κανόνες προστασίας του περιβάλλοντος και τις τεχνικές απόρριψης και, ως εκ τούτου, είναι ανακυκλώσιμα.



Η επιστροφή της συσκευασίας σε σημεία ανακύκλωσης εξοικονομεί πρώτες ύλες και μειώνει την ποσότητα των απορριμμάτων. Απορρίψτε τα υλικά συσκευασίας που δεν χρησιμοποιούνται πλέον σύμφωνα με τις κατά τόπους ισχύουσες προδιαγραφές.



Η συσκευασία της συσκευής αποτελείται από χαρτόνι.

## Εγγύηση της Kompnass Handels GmbH

Αξιότιμη πελάτισσα, αξιότιμε πελάτη, Η παρούσα συσκευή διαθέτει 3 χρόνια εγγύηση από την ημερομηνία αγοράς. Στην περίπτωση ελλείψεων στο προϊόν έχετε νομικά δικαιώματα έναντι του πωλητή του προϊόντος. Αυτά τα νομικά δικαιώματα δεν περιορίζονται μέσω της κατωτέρω αναφερόμενης εγγύησης.

### Προϋποθέσεις εγγύησης

Η περίοδος εγγύησης ξεκινάει κατά την ημερομηνία αγοράς. Φυλάξτε καλά την πρωτότυπη απόδειξη ταμείου. Αυτό το έγγραφο απαιτείται ως απόδειξη για την αγορά.

Εάν, εντός τριών ετών από την ημερομηνία αγοράς, προκύψει στο προϊόν αυτό σφάλμα υλικού ή κατασκευής, κατόπιν κρίσης μας, επισκευάζουμε ή αντικαθιστούμε το προϊόν για εσάς δωρεάν. Η παρούσα εγγύηση προϋποθέτει ότι εντός της περιόδου τριών ετών η ελαττωματική συσκευή και η απόδειξη αγοράς (απόδειξη ταμείου) θα υποβληθούν μαζί με σύντομη περιγραφή σχετικά με το που βρίσκεται η έλλειψη και πότε προέκυψε.

Εάν το ελάττωμα καλύπτεται από την εγγύησή μας, θα λάβετε το επισκευασμένο ή ένα νέο προϊόν.

## Περίοδος εγγύησης και νομικές απαιτήσεις λόγω ελλείψεων

Ο χρόνος εγγύησης δεν παρατείνεται μέσω της παροχής εγγύησης. Αυτό ισχύει και για εξαρτήματα, τα οποία έχουν αντικατασταθεί και επισκευαστεί. Ενδεχόμενες ήδη υπάρχουσες ζημιές και ελλείψεις κατά την αγορά πρέπει να γνωστοποιούνται αμέσως μετά την αποσυσκευασία. Μετά τη λήξη του χρόνου εγγύησης, τυχόν εμφανιζόμενες επισκευές χρεώνονται.

## Εύρος εγγύησης

Η συσκευή κατασκευάστηκε σύμφωνα με αυστηρές οδηγίες ποιότητας και ελέγχθηκε προσεκτικά πριν από την αποστολή.

Η απόδοση εγγύησης ισχύει για σφάλματα υλικού ή κατασκευής. Η παρούσα εγγύηση δεν εκτείνεται σε τμήματα του προϊόντος, τα οποία εκτίθενται σε φυσιολογική φθορά και έτσι μπορεί να θεωρούνται εξαρτήματα φθοράς ή για ζημιές σε εύθραυστα εξαρτήματα, π.χ. διακόπτες, συσσωρευτές, ταψιά ή εξαρτήματα που είναι κατασκευασμένα από γυαλί.

Η παρούσα εγγύηση ακυρώνεται εάν προκληθεί ζημιά στο προϊόν, εάν δεν γίνεται σωστή χρήση ή συντήρηση. Για μια σωστή χρήση του προϊόντος πρέπει να τηρούνται επακριβώς οι αναφερόμενες υποδείξεις στις οδηγίες χειρισμού. Σκοποί χρήσης και χειρισμοί που δεν συνιστώνται ή για τους οποίους υπάρχει προειδοποίηση πρέπει απαραίτητα να αποφεύγονται.

Το προϊόν προορίζεται μόνο για ιδιωτική και όχι για επαγγελματική χρήση. Σε περίπτωση κακής μεταχείρισης και ακατάλληλης χρήσης, χρήσης βίας και παρεμβάσεων, οι οποίες δεν διεξήχθησαν από το εξουσιοδοτημένο μας τμήμα σέρβις, η εγγύηση παύει να ισχύει.

## Διαδικασία σε περίπτωση εγγύησης

Για την εξασφάλιση γρήγορης επεξεργασίας του ζητήματός σας, τηρείτε τις ακόλουθες υποδείξεις:

- Για όλες τις ερωτήσεις έχετε έτοιμη την απόδειξη αγοράς και τον κωδικό προϊόντος (π.χ. IAN 12345) ως απόδειξη για την αγορά.

- Μπορείτε να βρείτε τον κωδικό προϊόντος στην πινακίδα τύπου, χαραγμένο, στην πρώτη σελίδα των οδηγιών σας (κάτω αριστερά) ή σε αυτοκόλλητο στην πίσω ή κάτω πλευρά.
- Εάν προκύψουν σφάλματα λειτουργίας ή άλλες ελλείψεις, επικοινωνήστε κατ' αρχήν με το ακόλουθο αναφερόμενο τμήμα σέρβις **τηλεφωνικά ή με E-Mail**.
- Ένα προϊόν που θεωρείται ελαττωματικό μπορείτε να το αποστείλετε ατελώς στην αναφερόμενη διεύθυνση του σέρβις επισυνάπτοντας την απόδειξη αγοράς (απόδειξη ταμείου) και αναφέροντας που βρίσκεται η έλλειψη και τότε εμφανίστηκε.



Στην ιστοσελίδα [www.lidl-service.com](http://www.lidl-service.com) μπορείτε να κατεβάσετε το παρόν και πολλά άλλα εγχειρίδια, βίντεο προϊόντων και λογισμικό.

## Σέρβις

### GR Σέρβις Ελλάδα

Tel.: 801 5000 019 (0,03 EUR/Min.)

E-Mail: [kompennass@lidl.gr](mailto:kompennass@lidl.gr)

### CY Σέρβις Κύπρος

Tel.: 8009 4409

E-Mail: [kompennass@lidl.com.cy](mailto:kompennass@lidl.com.cy)

IAN 290965

## Εισαγωγέας

Η ακόλουθη διεύθυνση δεν είναι διεύθυνση σέρβις. Επικοινωνήστε, κατ' αρχήν, με την αναφερόμενη υπηρεσία σέρβις.

KOMPERNASS HANDELS GMBH

BURGSTRASSE 21

DE-44867 BOCHUM

GERMANIA

[www.kompennass.com](http://www.kompennass.com)

# Inhaltsverzeichnis

<b>Einleitung</b> .....	<b>18</b>
<b>Bestimmungsgemäßer Gebrauch</b> .....	<b>18</b>
<b>Lieferumfang</b> .....	<b>18</b>
<b>Gerätebeschreibung</b> .....	<b>18</b>
<b>Technische Daten</b> .....	<b>18</b>
<b>Sicherheitshinweise</b> .....	<b>19</b>
<b>Vor dem ersten Gebrauch</b> .....	<b>20</b>
Zusammenbau des Akku-Besens .....	20
Akku laden .....	21
<b>Mit dem Akku-Besen arbeiten</b> .....	<b>21</b>
<b>Reinigung und Pflege</b> .....	<b>21</b>
Gehäuse .....	22
Schmutzbehälter .....	22
Bürstenrolle .....	22
<b>Aufbewahrung</b> .....	<b>22</b>
<b>Fehler beheben</b> .....	<b>22</b>
<b>Entsorgung</b> .....	<b>23</b>
Gerät entsorgen .....	23
Ladegerät entsorgen .....	23
Verpackung entsorgen .....	23
<b>Garantie der Kompernaß Handels GmbH</b> .....	<b>23</b>
Service .....	24
Importeur .....	24

## Einleitung

Herzlichen Glückwunsch zum Kauf Ihres neuen Gerätes.

Sie haben sich damit für ein hochwertiges Produkt entschieden. Die Bedienungsanleitung ist Bestandteil dieses Produkts. Sie enthält wichtige Hinweise für Sicherheit, Gebrauch und Entsorgung. Machen Sie sich vor der Benutzung des Produkts mit allen Bedien- und Sicherheitshinweisen vertraut. Benutzen Sie das Produkt nur wie beschrieben und für die angegebenen Einsatzbereiche. Händigen Sie alle Unterlagen bei Weitergabe des Produkts an Dritte mit aus.

## Bestimmungsgemäßer Gebrauch

Dieses Gerät ist ausschließlich vorgesehen zum Kehren von trockenem Schmutz in trockenen, geschlossenen Räumen.

Dieses Gerät ist ausschließlich für den privaten Gebrauch bestimmt.

Benutzen Sie das Gerät nicht gewerblich. Nutzen Sie das Gerät nur wie in dieser Anleitung beschrieben.

## Lieferumfang

- Akku-Besen
- Ladegerät
- Stiel (3 Stiel-Elemente, davon eines mit Griff)
- Bedienungsanleitung

## Gerätebeschreibung

Abbildung A:

- 1 Griff
- 2 Stiel (3 Elemente)
- 3 Halterung

Abbildung B:

- 4 Knopf an der Steckverbindung
- 5 Aussparung am Stiel

Abbildung C:

- 6 Ein-/Aus-Schalter
- 7 Ladebuchse

- 8 Plastikkappe/Transportsicherung
- 9 Ladeanzeige
- 10 Schmutzbehälter
- 11 Entriegelungsknopf

Abbildung D:

- 12 Ladegerät

Abbildung E:



- 13 Abdeckung
- 14 Verriegelung
- 15 Bürstenrolle

Abbildung F:

- 16 Antriebswelle

## Technische Daten

### Ladegerät


Eingang:	100 - 240 V ~, 50 / 60 Hz, 0,1 A max.
Ausgang:	5,3 V $\equiv$ 500 mA
Typenbezeichnung:	GPE003W-053050-3
Schutzklasse:	II / 
Effizienzklasse 5:	
Hersteller:	Golden Profit Electronics LTD

Polarität des Hohlsteckers: 

Limited Power Source (LPS) 2,65 W

Die Spannungsversorgung entspricht den Anforderungen an eine Stromquelle begrenzter Leistung (Limited Power Source, LPS) gemäß EN 60950-1.

### Akku-Besen

Eingangsspannung/-strom:	5,3 V $\equiv$ (Gleichstrom) 500 mA
Akku - Arbeitsspannung:	3,7 V
Akku:	Lithium-Ionen Akku 1 x 3,7 V, 1800 mAh
Polarität:	
Ladezeit bei leerem Akku:	5 Std.
Betriebszeit bei voller Akkuladung (abhängig vom Bodenbelag):	ca. 50 Min

## Sicherheitshinweise

### **⚠ GEFAHR - ELEKTRISCHER SCHLAG!**

- ▶ Laden Sie das Gerät niemals mit einem beschädigten Netzteil! Tauschen Sie ein beschädigtes Netzteil sofort aus, um Gefährdungen zu vermeiden. Wenden Sie sich hierzu an den Kundenservice.
- ▶ Lassen Sie beschädigte Netzstecker oder Netzkabel am Netzteil sofort von autorisiertem Fachpersonal austauschen, um Gefährdungen zu vermeiden.



Verwenden Sie den Netzadapter nicht im Freien.

- ▶ Achten Sie darauf, dass im Betrieb das Netzkabel nicht nass oder feucht wird. Führen Sie es so, dass es nicht eingeklemmt oder beschädigt werden kann.

### **⚠ WARNUNG! VERLETZUNGSGEFAHR!**

- ▶ Betreiben Sie das Gerät nur mit dem mitgelieferten Zubehör.
- ▶ Benutzen Sie das Gerät nicht, um Waschbeton, Schotter und ähnliche Oberflächen zu kehren.
- ▶ Benutzen Sie das Gerät nicht, um hochflorige Teppiche und nasse Bodenbeläge zu säubern.
- ▶ Dieses Gerät kann von Kindern ab 8 Jahren und darüber sowie von Personen mit verringerten physischen, sensorischen oder mentalen Fähigkeiten oder Mangel an Erfahrung und Wissen benutzt werden, wenn sie beaufsichtigt oder bezüglich des sicheren Gebrauchs des Gerätes unterwiesen wurden und die daraus resultierenden Gefahren verstehen.
- ▶ Kinder dürfen nicht mit dem Gerät spielen.
- ▶ Reinigung und Benutzer-Wartung dürfen nicht von Kindern ohne Beaufsichtigung durchgeführt werden.
- ▶ Verwenden Sie dieses Gerät nur zum bestimmungsgemäßen Gebrauch gemäß Beschreibung in dieser Bedienungsanleitung.

## ⚠ **WARNUNG! VERLETZUNGSGEFAHR!**

- ▶ Dieses Produkt enthält wiederaufladbare Akkus. Werfen Sie die Akkus nicht ins Feuer und setzen Sie sie nicht hohen Temperaturen aus. Es besteht Explosionsgefahr!
- ▶ Verwenden Sie das Gerät nicht als Spielzeug.
- ▶ Lassen Sie Kinder nicht unbeaufsichtigt mit dem Gerät umgehen.

## **ACHTUNG! SACHSCHÄDEN!**

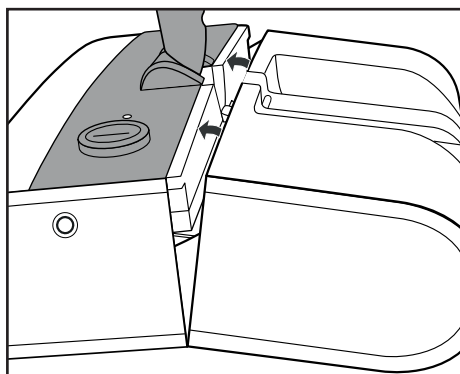
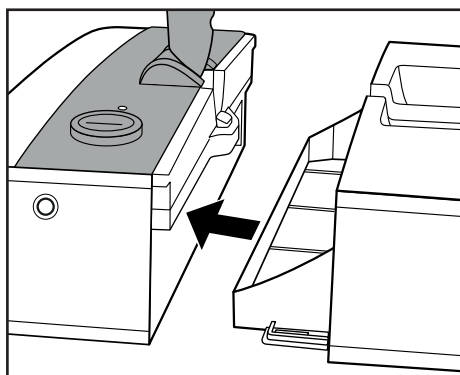
- ▶ Laden Sie das Gerät nur mit dem mitgelieferten Netzadapter/Ladegerät (Typ GPE003W-053050-3) auf!
- ▶ Mit dem beigegefügt Ladegerät darf ausschließlich der Akku-Besen geladen werden, das Ladegerät ist für andere Akkus nicht geeignet.
- ▶ Versuchen Sie niemals, nicht wiederaufladbare Batterien aufzuladen.

## **Vor dem ersten Gebrauch**

- Entfernen Sie alles Verpackungsmaterial vom Gerät, sowie die Plastikkappe **8**, die den Ein-/Aus-Schalter **6** vor unbeabsichtigtem Drücken während des Transportes sichert.

## **Zusammenbau des Akku-Besens**

- Montieren Sie den Stiel **2**:
  - Stecken Sie die 3 Stielelemente **2** zusammen, indem Sie die Steckverbindung in den Stiel schieben. Drücken Sie den Knopf **4** an der Steckverbindung ein und schieben Sie diese so in den Stiel, dass der Knopf **4** in der Aussparung am Stiel **5** einrastet. Die Stielelemente sind nun fest verbunden (siehe Abbildung B auf der Ausklappseite).
  - Stecken Sie den montierten Stiel **2** mit der Steckverbindung in die Halterung **3** des Gerätes und drehen Sie den Stiel, bis er einrastet.
- Montieren Sie den Schmutzbehälter **10** auf das Gerät:



- Schieben Sie den Schmutzbehälter **10** mit einer leichten Kippbewegung in das Gerät. Achten Sie darauf, dass der Schmutzbehälter **10** am Entriegelungsknopf **11** einrastet.

## Akku laden

Damit der Akku seine volle Leistungsfähigkeit erhält, ist es vor dem ersten Gebrauch notwendig, den Akku ca. 5 Stunden zu laden. Weitere Ladevorgänge benötigen, je nach Entladung des Akkus, bis zu 5 Stunden.

Das Gerät bietet bei voll geladenem Akku eine Betriebszeit von ca. 50 Min, bevor ein erneutes Aufladen notwendig ist.

### ACHTUNG! SACHSCHADEN!

- ▶ Verwenden Sie nur das beigegefügte Ladegerät **12**.
- ▶ Betreiben Sie das Gerät nur mit dem eingebauten Akku.
- ▶ Versuchen Sie nicht den Akku zum Aufladen auszubauen.
- ▶ Versuchen Sie nicht, die Akku-Hülle zu öffnen oder den Akku zu zerlegen, dies würde den Akku zerstören.

- 1) Um den Akku zu laden, stellen Sie sicher, dass der Akku-Besen ausgeschaltet ist. Schalten Sie ihn gegebenenfalls am Ein-/Aus-Schalter **6** aus.

### HINWEIS

Benutzen Sie den Akkubesen nicht, wenn das Gerät mit dem Ladegerät **12** verbunden ist!

- 2) Stecken Sie den Stecker des Ladegerätes **12** in die Ladebuchse **7** des Gerätes und dann den Netzstecker in eine Netzsteckdose.
- 3) Während des Ladevorgangs leuchtet die rote Ladeanzeige **9**. Sollte dies nicht der Fall sein, überprüfen Sie die Steckerverbindungen und ob der Akku-Besen ausgeschaltet ist.
- 4) Ist der Akku aufgeladen, leuchtet die Ladeanzeige **9** grün. Sie können dann das Gerät wieder mit voller Leistung benutzen.
- 5) Ziehen Sie das Ladegerät **12** aus der Netzsteckdose und den Stecker des Ladegerätes **12** aus der Ladebuchse **7** am Gerät.

## Mit dem Akku-Besen arbeiten

### ⚠️ WARNUNG! VERLETZUNGSGEFAHR!

Halten Sie die rotierende Bürstenrolle **15**, Stäbe und Geräteöffnungen fern von Gesicht und Körper.

### HINWEIS

Benutzen Sie das Gerät niemals mit abgenommenem Schmutzbehälter **10**. Der Schmutz würde nur aufgewirbelt!

- Drücken Sie den Ein-/Aus-Schalter **6**, um den Akku-Besen einzuschalten.
- Führen Sie den Akku-Besen nun vor und zurück über den Boden.
- Durch erneutes Drücken des Ein-/Aus-Schalters **6** schaltet sich das Gerät aus.

Sie können den Stiel **2** bei Arbeitsunterbrechungen in senkrechter Position eingerastet lassen.


### HINWEIS

Bei einigen Teppicharten könnte der Akku-Besen rattern oder hüpfen. Arbeiten Sie in diesem Fall langsam und in entgegengesetzter Richtung zum Teppichflor.

## Reinigung und Pflege

### ⚠️ GEFAHR - ELEKTRISCHER SCHLAG!

- ▶ Reinigen Sie das Gerät nicht während des Ladevorgangs. Ziehen Sie das Ladegerät **12** vor der Reinigung des Gerätes immer aus der Netzsteckdose!

 Tauchen Sie das Gerät niemals in Wasser oder andere Flüssigkeiten!

### ⚠️ WARNUNG! VERLETZUNGSGEFAHR!

Achten Sie darauf, dass das Gerät bei abgenommenem Schmutzbehälter **10** oder bei der Reinigung der Bürstenrolle **15** nicht unbeabsichtigt eingeschaltet wird. Verletzungsgefahr!



## ACHTUNG! SACHSCHADEN!

- ▶ Verwenden Sie keine scheuernden oder aggressiven Reinigungsmittel. Diese können die Oberflächen beschädigen!

## Gehäuse

- Wischen Sie das Gehäuse des Gerätes mit einem feuchten Tuch ab. Bei Bedarf geben Sie ein mildes Spülmittel auf das Tuch.
- Achten Sie darauf, dass das Gerät vollständig trocken ist, bevor Sie es wieder mit dem Ladegerät **12** verbinden.

## Schmutzbehälter

Um die Leistungsfähigkeit des Akku-Besens zu erhalten, leeren Sie den Schmutzbehälter **10** nach jedem Gebrauch.

- Drücken Sie den Entriegelungsknopf **11** des Schmutzbehälters **10** und ziehen Sie ihn ab.
- Leeren Sie den Schmutzbehälter **10** und schieben Sie ihn wieder so auf das Gerät, dass dieser fest sitzt und am Entriegelungsknopf **11** einrastet.

## Bürstenrolle

Sollte sich die Bürstenrolle **15** nicht mehr drehen lassen, weil sich grobe Verschmutzungen oder Fäden angesammelt haben, gehen Sie wie folgt vor:

Bauen Sie die Bürstenrolle **15** aus. Beachten Sie dazu die Abbildung E und F auf der Ausklappseite dieser Bedienungsanleitung:

- 1) Drehen Sie den Akku-Besen um und halten Sie ihn so, dass die Bürstenrolle **15** zu Ihnen zeigt.
- 2) Ziehen Sie am Haken der Verriegelung **14** und nehmen Sie die seitliche Abdeckung **13** ab.
- 3) Ziehen Sie die Bürstenrolle **15** nach oben aus dem Gehäuse und anschließend seitlich heraus.
- 4) Entfernen Sie Verschmutzungen (auf beiden Seiten der Borsten) und säubern Sie die Bürstenrolle **15**. Nehmen Sie dafür ein feuchtes Tuch und wischen von innen nach außen die einzelnen Borstenbündel ab.

Setzen Sie die Bürstenrolle **15** wieder ein:

- 1) Schieben Sie die runde Seite der Bürstenrolle **15** auf die Antriebswelle **16**.
- 2) Schieben Sie das eckige Ende der Bürstenrolle **15** in das Gehäuse, so dass die Bürstenrolle **15** wieder gerade im Gehäuse sitzt.
- 3) Setzen Sie die Abdeckung **13** wieder auf das Gehäuse. Achten Sie darauf, dass die Verriegelung einrastet.

## Aufbewahrung

### ACHTUNG! SACHSCHADEN!

- ▶ Stellen Sie sicher, dass das Gerät ausgeschaltet ist, wenn Sie es verstauen. Der Akku könnte ansonsten durch Tiefentladung beschädigt werden.

- Bewahren Sie das gereinigte Gerät an einem sauberen, staubfreien und trockenen Ort auf.

## Fehler beheben

### Das Gerät startet nicht.

- Das Gerät ist entladen. Laden Sie das Gerät erst wieder auf.
- Das Gerät ist defekt. Wenden Sie sich an den Service.

### Die Bürstenrolle **15** erzeugt beim Drehen laute Geräusche.

- Die Bürstenrolle **15** ist verschmutzt. Reinigen Sie die Bürstenrolle **15**.
- Die Bürstenrolle **15** ist nicht richtig eingesetzt. Überprüfen Sie, ob die Bürstenrolle **15** korrekt eingesetzt ist und korrigieren Sie gegebenenfalls den Einbau.

## Entsorgung

### Gerät entsorgen



**Werfen Sie das Gerät keinesfalls in den normalen Hausmüll. Dieses Produkt unterliegt der europäischen Richtlinie 2012/19/EU.**

Entsorgen Sie das Gerät über einen zugelassenen Entsorgungsbetrieb oder über Ihre kommunale Entsorgungseinrichtung. Beachten Sie die aktuell geltenden Vorschriften. Setzen Sie sich im Zweifelsfall mit Ihrer Entsorgungseinrichtung in Verbindung.

### HINWEIS

- Der integrierte Akku dieses Gerätes kann zur Entsorgung nicht entfernt werden.

### Ladegerät entsorgen



**Werfen Sie das Ladegerät keinesfalls in den normalen Hausmüll. Dieses Produkt unterliegt der europäischen Richtlinie 2012/19/EU.**

Entsorgen Sie das Ladegerät über einen zugelassenen Entsorgungsbetrieb oder über Ihre kommunale Entsorgungseinrichtung. Beachten Sie die aktuell geltenden Vorschriften. Setzen Sie sich im Zweifelsfall mit Ihrer Entsorgungseinrichtung in Verbindung.

### Verpackung entsorgen

Die Verpackung schützt das Gerät vor Transportschäden. Die Verpackungsmaterialien sind nach umweltverträglichen und entsorgungstechnischen Gesichtspunkten ausgewählt und deshalb recyclebar.



Die Rückführung der Verpackung in den Materialkreislauf spart Rohstoffe und verringert das Abfallaufkommen. Entsorgen Sie nicht mehr benötigte Verpackungsmaterialien gemäß den örtlich geltenden Vorschriften.



Die Verpackung dieses Gerätes besteht aus Pappe.

## Garantie der Kompernaß Handels GmbH

Sehr geehrte Kundin, sehr geehrter Kunde,

Sie erhalten auf dieses Gerät 3 Jahre Garantie ab Kaufdatum. Im Falle von Mängeln dieses Produkts stehen Ihnen gegen den Verkäufer des Produkts gesetzliche Rechte zu. Diese gesetzlichen Rechte werden durch unsere im Folgenden dargestellte Garantie nicht eingeschränkt.

### Garantiebedingungen

Die Garantiefrist beginnt mit dem Kaufdatum. Bitte bewahren Sie den Original-Kassenbon gut auf. Diese Unterlage wird als Nachweis für den Kauf benötigt.

Tritt innerhalb von drei Jahren ab dem Kaufdatum dieses Produkts ein Material- oder Fabrikationsfehler auf, wird das Produkt von uns – nach unserer Wahl – für Sie kostenlos repariert oder ersetzt. Diese Garantieleistung setzt voraus, dass innerhalb der Drei-Jahres-Frist das defekte Gerät und der Kaufbeleg (Kassenbon) vorgelegt und schriftlich kurz beschrieben wird, worin der Mangel besteht und wann er aufgetreten ist.

Wenn der Defekt von unserer Garantie gedeckt ist, erhalten Sie das reparierte oder ein neues Produkt zurück. Mit Reparatur oder Austausch des Produkts beginnt kein neuer Garantiezeitraum.

### Garantiezeit und gesetzliche Mängelansprüche

Die Garantiezeit wird durch die Gewährleistung nicht verlängert. Dies gilt auch für ersetzte und reparierte Teile. Eventuell schon beim Kauf vorhandene Schäden und Mängel müssen sofort nach dem Auspacken gemeldet werden. Nach Ablauf der Garantiezeit anfallende Reparaturen sind kostenpflichtig.

## Garantieumfang

Das Gerät wurde nach strengen Qualitätsrichtlinien sorgfältig produziert und vor Auslieferung gewissenhaft geprüft.

Die Garantieleistung gilt für Material- oder Fabrikationsfehler. Diese Garantie erstreckt sich nicht auf Produktteile, die normaler Abnutzung ausgesetzt sind und daher als Verschleißteile angesehen werden können oder für Beschädigungen an zerbrechlichen Teilen, z. B. Schalter, Akkus, Backformen oder Teile die aus Glas gefertigt sind.

Diese Garantie verfällt, wenn das Produkt beschädigt, nicht sachgemäß benutzt oder gewartet wurde. Für eine sachgemäße Benutzung des Produkts sind alle in der Bedienungsanleitung aufgeführten Anweisungen genau einzuhalten. Verwendungszwecke und Handlungen, von denen in der Bedienungsanleitung abgeraten oder vor denen gewarnt wird, sind unbedingt zu vermeiden.

Das Produkt ist nur für den privaten und nicht für den gewerblichen Gebrauch bestimmt. Bei missbräuchlicher und unsachgemäßer Behandlung, Gewaltanwendung und bei Eingriffen, die nicht von unserer autorisierten Service-Niederlassung vorgenommen wurden, erlischt die Garantie.

## Abwicklung im Garantiefall

Um eine schnelle Bearbeitung ihres Anliegens zu gewährleisten, folgen Sie bitte den folgenden Hinweisen:

- Bitte halten Sie für alle Anfragen den Kassenbon und die Artikelnummer (z. B. IAN 12345) als Nachweis für den Kauf bereit.
- Die Artikelnummer entnehmen Sie bitte dem Typenschild, einer Gravur, auf dem Titelblatt ihrer Anleitung (unten links) oder als Aufkleber auf der Rück- oder Unterseite.
- Sollten Funktionsfehler oder sonstige Mängel auftreten, kontaktieren Sie zunächst die nachfolgend benannte Serviceabteilung **telefonisch** oder per **E-Mail**.
- Ein als defekt erfasstes Produkt können Sie dann unter Beifügung des Kaufbelegs (Kassenbon) und der Angabe, worin der Mangel besteht und wann er aufgetreten ist, für Sie portofrei an die Ihnen mitgeteilte Service-Anschrift übersenden.



Auf [www.lidl-service.com](http://www.lidl-service.com) können Sie diese und viele weitere Handbücher, Produktvideos und Software herunterladen.

## Service

### DE Service Deutschland

Tel.: 0800 5435 111 (Kostenfrei aus dem dt. Festnetz/Mobilfunknetz)  
E-Mail: [kompernass@lidl.de](mailto:kompernass@lidl.de)

### AT Service Österreich

Tel.: 0820 201 222 (0,15 EUR/Min.)  
E-Mail: [kompernass@lidl.at](mailto:kompernass@lidl.at)

### CH Service Schweiz

Tel.: 0842 665566 (0,08 CHF/Min., Mobilfunk max. 0,40 CHF/Min.)  
E-Mail: [kompernass@lidl.ch](mailto:kompernass@lidl.ch)

IAN 290965

## Importeur

Bitte beachten Sie, dass die folgende Anschrift keine Serviceanschrift ist. Kontaktieren Sie zunächst die benannte Servicestelle.

KOMPERNASS HANDELS GMBH

BURGSTRASSE 21

DE-44867 BOCHUM

DEUTSCHLAND

[www.kompernass.com](http://www.kompernass.com)

**KOMPERNASS HANDELS GMBH**

BURGSTRASSE 21

DE-44867 BOCHUM

GERMANY

[www.kompernass.com](http://www.kompernass.com)

Last Information Update · Έκδοση των πληροφοριών

Stand der Informationen:

05/2017 · Ident.-No.: SABD3.7LIC2-032017-2

IAN 290965