

# SILVERCREST®



[www.lidl-service.com](http://www.lidl-service.com)



## ELECTRIC OVEN & GRILL SGBR 1500 C4

GB IE NI

### ELECTRIC OVEN & GRILL

Operating instructions

DE AT CH

### GRILL- UND BACKAUTOMAT

Bedienungsanleitung

IAN 303861

GB IE NI



GB IE NI

Before reading, unfold the page containing the illustrations and familiarise yourself with all functions of the device.

---

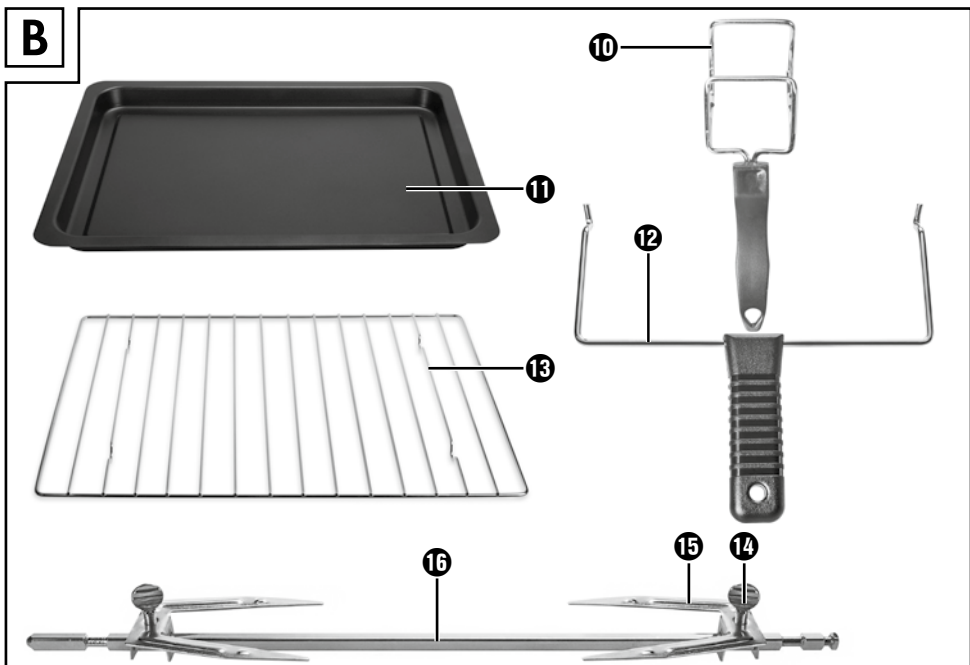
DE AT CH

Klappen Sie vor dem Lesen die Seite mit den Abbildungen aus und machen Sie sich anschließend mit allen Funktionen des Gerätes vertraut.

---

GB/IE/NI	Operating instructions	Page	1
DE/AT/CH	Bedienungsanleitung	Seite	21

---



## Contents

<b>Introduction</b> .....	<b>2</b>
<b>Proper use</b> .....	<b>2</b>
<b>Package contents</b> .....	<b>2</b>
<b>Appliance description</b> .....	<b>2</b>
<b>Technical data</b> .....	<b>2</b>
<b>Safety instructions</b> .....	<b>3</b>
<b>Setting up</b> .....	<b>6</b>
<b>Using the appliance</b> .....	<b>6</b>
Glass door .....	6
Inserting the crumb tray .....	6
Using the rotisserie .....	7
Using the baking tray/rack .....	8
<b>Before first use</b> .....	<b>8</b>
<b>Operating the appliance</b> .....	<b>9</b>
Function switch .....	9
Temperature control .....	9
Timer .....	9
<b>Grilling and baking</b> .....	<b>9</b>
<b>Grilling with the rotisserie</b> .....	<b>10</b>
<b>Cleaning and care</b> .....	<b>12</b>
<b>Storage</b> .....	<b>12</b>
<b>Troubleshooting</b> .....	<b>13</b>
<b>Disposal</b> .....	<b>14</b>
<b>Kompernass Handels GmbH warranty</b> .....	<b>14</b>
Service .....	15
Importer .....	15
<b>Recipes</b> .....	<b>16</b>

## Introduction

Congratulations on the purchase of your new appliance.

You have selected a high-quality product.

The operating instructions are part of this product.

They contain important information on safety, usage and disposal. Before using the product, familiarise yourself with all handling and safety guidelines.

Use the product only as described and for the range of applications specified. Please also pass these operating instructions on to any future owner(s).

## Proper use

The automatic oven and grill is intended for the heating, cooking and grilling of food.

This appliance is intended solely for use in private homes. Do not use it for commercial applications.

All other uses are deemed to be improper and may result in property damage or even in personal injury.

## Package contents

- ◆ Electric Oven & Grill
- ◆ 1 baking tray
- ◆ 1 rack
- ◆ 2 tongs
- ◆ Rotisserie with 2 clamps
- ◆ 1 crumb tray
- ◆ Operating instructions

### NOTE

Check contents for completeness and damage immediately after unpacking. Contact Customer Services if necessary.

## Appliance description

Figure A:

- ❶ Drive
- ❷ Temperature control
- ❸ Function switch
- ❹ Timer
- ❺ Control lamp
- ❻ Glass door
- ❼ Crumb tray
- ❽ Lower heating element
- ❾ Spit fitting

Figure B:

- ❿ Tongs (baking tray or rack)
- ⓫ Baking tray
- ⓬ Tongs (for spit)
- ⓭ rack
- ⓮ Restrainer
- ⓯ Skewer clamps
- ⓰ Rotisserie

## Technical data

Rated voltage: 220 - 240 V ~  
(alternating current),  
50/60 Hz


Power consumption: 1500 W



All of the parts of this appliance that come into contact with food are food-safe.

## Safety instructions

### **DANGER – RISK OF ELECTRIC SHOCK!**

- ▶ Do not open the housing of the appliance or attempt to repair it. Doing so can lead to risks and also invalidates the warranty. Defective appliances should be repaired by the retailer or authorized personnel only.
  - ▶ Arrange for defective power plugs and/or cables to be replaced as soon as possible by a qualified technician or by our Customer Service Department to avoid the risk of injury.
  - ▶ Do not allow any liquids to penetrate the housing. Do not expose the appliance to moisture and do not use it outdoors. Additionally, do not place fluid-filled receptacles such as flower vases on the appliance. This increases the risk of fire and of receiving an electric shock! If liquids permeate into the housing, unplug the appliance immediately and arrange for it to be repaired by a qualified technician.
  - ▶ Never touch the appliance, power cable or power plug with wet hands. There is a risk of electric shock!
-  **NEVER** immerse the appliance in water or other liquids!  
Risk of electrocution if residual liquids come into contact with live components during operation.

## **WARNING – RISK OF INJURY!**

- ▶ This appliance may be used by children of the age of 8 years or more and by persons with reduced physical, sensory or mental capabilities or lack of experience and/or knowledge if they are being supervised or have been instructed with regard to the safe use of the appliance and have understood the potential risks.
- ▶ Children must not use the appliance as a plaything.
- ▶ Cleaning and user maintenance must not be performed by children unless they are older than 8 years of age and are supervised.
- ▶ Children younger than 8 years of age must be kept away from the appliance and the power cable.
- ▶ Route the power cable in such a way that no one can tread on it or trip over it.
- ▶ Never touch the glass door or the housing during use, these can get very hot. Use oven gloves or something similar to open the glass door to avoid being burnt!
- ▶ Never touch the heating elements or the viewing window when the appliance is in use, or before it has cooled down completely. Do not reach into the cooking chamber when the appliance is in use. Wait until the appliance has cooled down. Otherwise, you could be burnt.
- ▶ Allow the appliance to cool down after use before transporting it.
- ▶ Always use oven gloves or a pot holder if you need to take hold of the appliance.



Caution! Hot surface!

**CAUTION – PROPERTY DAMAGE!**

- ▶ Do not use an external timer switch or a separate remote control system to operate the appliance.
- ▶ Never leave the appliance unattended during operation.
- ▶ Ensure that the appliance, the power cable and the plug do not come into contact with heat sources such as hotplates or naked flames.
- ▶ Only operate the appliance with the original accessories supplied.
- ▶ Do not kink or crush the mains cable.
- ▶ To disconnect, always remove the plug itself from the mains power socket, do not pull on the power cable.
- ▶ When the appliance is in use, ensure that there are no easily inflammable materials in the immediate vicinity (e.g. dishcloths, oven cloths, etc.).
- ▶ Never dry textiles or other objects on or above the appliance. This increases the risk of fire!



## Setting up

### **WARNING! RISK OF FIRE!**

- ▶ Never place the appliance beneath wall cupboards or next to curtains, cupboard walls or other flammable objects.
- ▶ Always ensure a minimum distance between the appliance and hanging cupboards, ceilings, side walls or similar of at least 10 cm above the appliance and 5 cm at the sides. For this reason the appliance may not be used, for example, in cupboards or similar. Otherwise there is likely to be insufficient ventilation for the appliance, which could cause a fire or damage.
- ▶ Always place the appliance on a heat-resistant surface. Failure to do so increases the risk of fire or of it being damaged. The area under the bottom can discolour and be damaged. Additionally, if placed on a soft upper surface, the appliance could cause permanent damage to it due to pressure indentations.

### **DANGER – ELECTRIC SHOCK!**

- ▶ Do not place the appliance immediately adjacent to sources of water, e.g. sinks or basins, or in damp cellar areas. Otherwise, there is a risk of receiving an electric shock.
- Place the appliance on a solid, level and heat-resistant surface (e.g. stainless steel worktops or natural stone worktops such as granite). Ensure there is sufficient ventilation around the appliance.
- Push the appliance up against the wall, with its rear side facing the wall. The spacers on the back must touch the wall. Ensure that the wall is made of heat-resistant material, e.g. tiles, natural stone or granite.
- Clean all components as described in the section "Cleaning and care".

## Using the appliance

### Glass door

#### **ATTENTION! DAMAGE TO PROPERTY!**

- ▶ Do not lean on the glass door **6**. Do not place any objects on the glass door **6**. This can cause damage to the hinges.
- If you are cooking especially fatty foodstuffs, this can result in increased smoke production. In this case, do not close the glass door **6** completely; instead, leave it slightly open: The glass door **6** has a latching position so that it remains open a little: if you carefully push the glass door **6** closed, it clicks into this position shortly before closing completely.
- When drying fruit (to make dried fruit), the glass door **6** should remain in the latching position to ensure that moisture can escape and that the fruit dries better.

### Inserting the crumb tray

- Push the crumb tray **7** under the lower heating element **8** so that it rests flat on the bottom of the appliance. You can use the higher bent-up side as a handle. The other, less bent side must be inserted into the appliance first.

## Using the rotisserie

### ⚠ WARNING! RISK OF INJURY!

- ▶ Always use the tongs **12** to insert the hot rotisserie **16** into the appliance or to remove it.
- You can use the two skewer clamps **15** to fix the food onto the rotisserie **16**. Loosen the restrainer **14** on the skewer clamps **15**, push them so that the food is fixed firmly in between the clamps and then screw the restrainer **14** tight again.
- First push the end of the rotisserie **16** without the notch into the drive **1** (Figure 1):

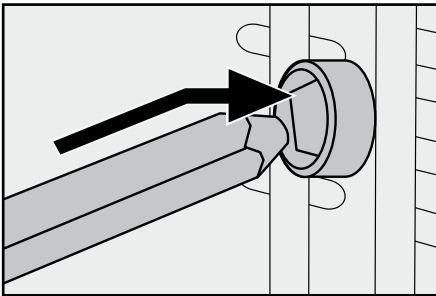


Fig. 1: Push the rotisserie **16** into the drive **1**.

- Then insert the other end of the rotisserie **16** with the deep groove in the spit fitting **9** (Figure 2):

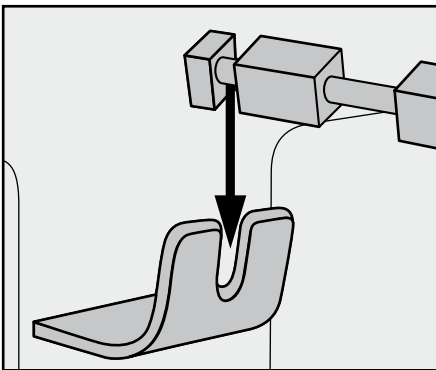


Fig. 2: Insert the rotisserie **16** in the spit fitting **9**.

### NOTE

- ▶ Always slide the baking tray **11** into the lower rail when you use the rotisserie **16**. This will collect any drips.
- To remove the hot rotisserie **16**, grip with the hooks at the end of the tongs **12** into the recesses on the rotisserie **16** (Figure 3):

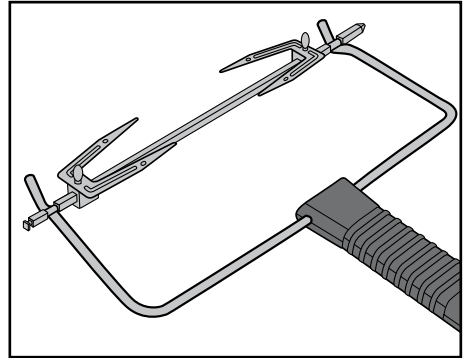


Fig. 3: Hooking the tongs **12** onto the rotisserie **16**

- First lift the left-hand side of the rotisserie **16** out of the spit fitting **9** and then pull the rotisserie **16** from the drive **1**.

## Using the baking tray/rack

### ⚠ WARNING! RISK OF INJURY!

- ▶ Always use the tongs ⑩ to insert the hot baking tray ⑪/the hot rack ⑬ into the appliance or to remove it.
- Push the baking tray ⑪/the rack ⑬ into one of the 3 rails in the cooking chamber of the appliance.

### ⚠ ATTENTION! DAMAGE TO PROPERTY!

- ▶ Never place the baking tray ⑪/the rack ⑬ directly onto the heating elements ⑧.
- To remove the hot baking tray ⑪ or the rack ⑬, hook the tongs ⑩ onto them as follows:

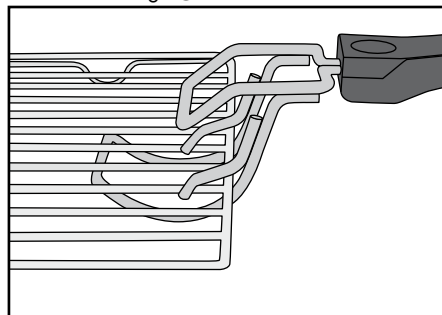


Fig. 4: Hooking the tongs ⑩ onto the rack ⑬

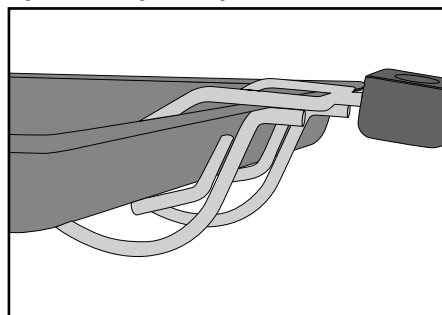



Fig. 5: Hooking the tongs ⑩ onto the baking tray ⑪

## Before first use

- 1) Insert the plug into a mains power socket.
- 2) Turn the temperature control ② clockwise to the maximum temperature (to the stop).
- 3) Turn the function switch ③ to "upper and lower heat" .
- 4) Open the glass door ⑥ leave this open for this operation.
- 5) Remove any installed accessories from the cooking chamber.
- 6) Turn the timer ④ to 20 minutes.

### NOTE

- ▶ The first time the appliance heats up, a small amount of smoke and odour may be generated due to production-related residue. This is normal and is completely harmless. Provide sufficient ventilation by opening a window, for example.

The appliance switches off automatically after 20 minutes.

If you want to interrupt the heating process prematurely, turn the temperature control ② counter-clockwise to the stop and set the timer ④ to "OFF".






- 7) Allow the appliance to cool down, then clean the appliance as described in the chapter "Cleaning and care".

The appliance is now ready for use.

## Operating the appliance

### Function switch

You can switch on the appliance with the function switch **3**, and also set 5 different functions:


Symbol	Meaning
	"Upper heat" e.g. to gratinate
	"Lower heat" e.g. for baking
	"Upper & lower heat" e.g. for baking a pizza
	"Upper heat/hot air/ roisserie" e.g. to roast poultry
	"Upper & lower heat/hot air" e.g. to reheat rolls
<b>OFF</b>	"OFF" the appliance is switched off.

### Temperature control

Use the temperature control **2** to set the desired temperature.

### Timer

Use the timer **4** to switch the device on / set the cooking time.

- Set the timer **4** to the desired cooking time. After expiry of the set time a signal tone sounds and the appliance stops heating. If the function "Upper heat/hot air/roisserie"  is selected, the roisserie **15** will also stop turning.
- If you wish to use the device without a time limit, turn the dial on the timer **4** counter-clockwise to the position "ON".

## Grilling and baking

- 1) Put the crumb tray **7** into the appliance.
- 2) Remove the rack **13** and baking tray **11** from the appliance. If required, cover these with baking paper or lightly grease the baking tray **11** with suitable baking fat.

### NOTE

- ▶ Depending on the meal, the oven must be preheated. Refer to the guidelines in the respective recipe. Preheating is useful for:
  - very short baking times,
  - crisp crusts,
  - sensitive meals that require a constant temperature, such as soufflés.
- ▶ If no preheating is required, skip step 3).

- 3) Allow the appliance to heat up for approx. 10 minutes (depending on the temperature setting) to the required temperature:
  - Select the required temperature using the temperature control **2**.
  - Select the required function with the function switch **3**.

## NOTE

- ▶ As a general rule, if you are baking or grilling with hot air you can dispense with a preheating of the grilling/cooking space.
    - Use the timer **4** to set the preheat time (approx. 10 minutes).
    - Close the glass door **6**.
- 4) Once the warm-up period is finished, place the foodstuffs on the rack **15** or the baking tray **11** and slide it in on one of the rails. Ensure that there is sufficient space between the foodstuffs and the inner walls/heating elements of the appliance.

## NOTE

- ▶ If you wish to prepare food on the rack **15** that drips excessively, then slide the baking tray **11** onto the bottom rail. By doing this, dripping fat for example will be caught and the appliance is then easier to clean.
- 5) Close the glass door **6** before starting the grilling or baking process.
- 6) If required, use the timer **4** to set the required grilling or baking time. You can set a maximal grilling/baking time of 120 minutes using the timer **4**. Alternatively, you can set the timer **4** to the "ON" position to run the appliance for an unlimited period.

## NOTE

- ▶ If the cooking time for the food is less than 20 minutes, first set the timer **4** to 40 minutes and then turn it back to the required grilling or baking time.

The control lamp **5** indicates that the appliance is now switched on. If you pre-set a baking time, the dial of the timer **4** will move towards the "OFF" position.

The appliance switches off automatically after the set period (if any); there is a beep and the control lamp **5** goes out.

## NOTE

If you want to interrupt the heating process prematurely, turn the temperature control **2** counter-clockwise to the stop and set the timer **4** to "OFF".


- 7) If you do not pre-set a baking time, you can manually stop the heating process by moving the timer **4** to "OFF".
- 8) After cooking, remove the rack **15** or the baking tray **11** using the tongs **10**.
- 9) Set the function switch **3** to "OFF".

## Grilling with the rotisserie

- 1) Put the crumb tray **7** into the appliance.
- 2) If inserted, remove the rotisserie **16** from the appliance.
- 3) Push the baking tray **11** onto the lower rail.
- 4) Fix the food to be grilled with the skewer clamps **15**. Ensure that the food in the cooking chamber can turn freely without touching the sides. The rotisserie **16** may change its direction of rotation if the food strikes against a resistance. The two depressions on the rotisserie **16** must remain freely accessible, otherwise you will not be able to grasp the rotisserie **16** with the tongs **12**.
- 5) Fit the rotisserie **16** in the cooking chamber (see chapter "Using the rotisserie").
- 6) Close the glass door **6**.

## NOTE

If you want to interrupt the heating process prematurely, turn the temperature control **2** counter-clockwise to the stop and set the timer **4** to "OFF".

- 7) Adjust the temperature control **2** to the desired temperature.
- 8) Set the function switch **3** to "Upper heat/hot air/roisserie" .
- 9) If required, set the desired grilling time at the timer **4**. Alternatively, you can set the timer **4** to the "ON" position to run the appliance for an unlimited period.  
The appliance starts the grilling process and the rotisserie **1b** starts turning.

The control lamp **5** indicates that the appliance is now switched on. If you pre-set a baking time, the dial of the timer **4** will move towards the "OFF" position.

The appliance switches off automatically after the set period (if any); there is a beep and the control lamp **5** goes out.



## NOTE

If you want to interrupt the heating process prematurely, turn the temperature control **2** counter-clockwise to the stop and set the timer **4** to "OFF".

- 10) If you do not pre-set a baking time, you can manually stop the heating process by moving the timer **4** to "OFF".
- 11) After the grilling process is completed remove the rotisserie **1b** with the help of the tongs **12**.
- 12) Set the function switch **3** to "OFF".

## EXAMPLE: GRILLED CHICKEN

### Ingredients

- ◆ Grilling chicken (approx. 1.3 kg, guts removed)
  - ◆ Spices (salt, paprika)
  - ◆ Cooking oil
- 1) Season the chicken on the inside and outside with salt and paprika powder. Brush it from the outside with heat resistant cooking oil.
  - 2) Push the chicken onto the rotisserie **1b** and fix it in place with the skewer clamps **15**. Ensure that the notches on the rotisserie **1b** remain free so that you can remove the rotisserie **1b** with the help of the tongs **12**. Depending on the shape of the chicken, it may be necessary to fasten the wings and legs with a fireproof string to stop them impacting the sides when turning.
  - 3) Push the baking tray **11** onto the lower rail.
  - 4) Preheat the appliance for about 10 minutes using the function "Upper & lower heat/hot air"  to 230 °C.
  - 5) Put the chicken on the rotisserie into the appliance using the tongs **12**.
  - 6) Set the function switch to "Upper heat/hot air/roisserie"  and close the door.
  - 7) Set the timer **4** approx. 80 minutes. The cooking time can vary depending on the size and nature of the chicken.
  - 8) Brush the chicken every now and again with some cooking oil. This will make it crispy.
  - 9) Once the set time is up, carefully remove the rotisserie with the chicken using the tongs **12**. Loosen the skewer clamps **15** and pull the chicken off the rotisserie **1b**.

## Cleaning and care

### **⚠ DANGER – ELECTRIC SHOCK!**

- ▶ Before cleaning the appliance, disconnect the plug from the mains power socket!  
Risk of electric shock!

**⚠** NEVER immerse the appliance in water or any other liquid!

### **⚠ WARNING! RISK OF INJURY!**

- ▶ Always allow the appliance to cool down before cleaning it. Otherwise there is a risk of burns!
- It is best to clean the appliance and accessories as soon as they have cooled down. This makes food residues easier to remove.

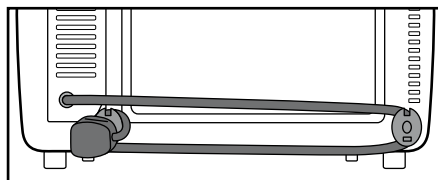
### **ATTENTION! DAMAGE TO PROPERTY!**

- ▶ Do not use abrasive or aggressive cleaning materials. These could damage the surface of the appliance!
- ▶ Do not clean the components of the appliance in a dishwasher!
- ▶ Do not clean the cooking chamber with an oven spray as this may make residues on the heating elements impossible to remove.

- Wipe the appliance with a damp cloth. If necessary, put a little mild detergent on the cloth and wipe this off afterwards with a cloth dampened with clean water. Dry everything properly.
- Clean the cooking chamber and the glass door **6** with a moist cloth. If necessary, put a little mild detergent on the cloth and wipe this off afterwards with a cloth dampened with clean water. Dry everything properly.
- Clean the tongs **10/12**, the rotisserie **16**, the skewer clamps **15**, the restrainer **14**, the baking tray **11**, the rack **13** and the crumb tray **7** in warm soapy water. Dry all parts properly after cleaning.

## Storage

- You can wind the mains cable around the spacers on the rear side of the appliance and attach the plug to one of the spacers:



- Store the cleaned appliance and its accessories in a clean, dust-free and dry location.

## Troubleshooting

Fault	Cause	Solution
The appliance is not working.	The mains plug is not connected to the mains power.	Insert the plug into a mains power socket.
	The mains power socket is defective.	Use a different mains power socket.
	The appliance is defective.	Contact Customer Services.
The control lamp <b>5</b> comes on and but the appliance does not heat up.	The function switch <b>3</b> is set to OFF.	Turn the function switch <b>3</b> to the desired function.
The cooking time of the food seems very long	The glass door <b>6</b> has been opened often to check the cooking progress.	Do not open the glass door <b>6</b> any more often than is absolutely necessary.
	The wrong temperature level has been set.	Check the temperature settings.
Smoke and smells develop during use.	There is detergent or food residue on the heating elements.	Remove the food from the appliance and continue cooking process with the glass door <b>6</b> open until the smoke stops.

If the malfunction cannot be corrected with the above suggestions, or if you have found some other kind of malfunction, please contact our Customer Service.



## Disposal



**Under no circumstance should the appliance be disposed of as standard domestic waste. This product is subject to the provisions of European Directive 2012/19/EU.**

Dispose of the appliance via an approved waste disposal company or your municipal waste disposal facility. Please observe applicable regulations.

Please contact your waste disposal facility if you are in any doubt.



Your local community or municipal authorities can provide information on how to dispose of the worn-out product.



Dispose of the packaging in an environmentally friendly manner. Note the labelling on the packaging and separate the packaging material components for disposal if necessary. The packaging material is labelled with abbreviations (a) and numbers (b) with the following meanings:  
1-7: Plastics,  
20-22: Paper and cardboard,  
80-98: Composites



The packaging is made of environmentally friendly materials which you can dispose of at your local recycling centre.

## Kompernass Handels GmbH warranty

Dear Customer,

This appliance has a 3-year warranty valid from the date of purchase. If this product has any faults, you, the buyer, have certain statutory rights. Your statutory rights are not restricted in any way by the warranty described below.

## Warranty conditions

The validity period of the warranty starts from the date of purchase. Please keep your original receipt in a safe place. This document will be required as proof of purchase.

If any material or production fault occurs within three years of the date of purchase of the product, we will either repair or replace the product for you at our discretion. This warranty service is dependent on you presenting the defective appliance and the proof of purchase (receipt) and a short written description of the fault and its time of occurrence.

If the defect is covered by the warranty, your product will either be repaired or replaced by us. The repair or replacement of a product does not signify the beginning of a new warranty period.

## Warranty period and statutory claims for defects

The warranty period is not prolonged by repairs effected under the warranty. This also applies to replaced and repaired components. Any damage and defects present at the time of purchase must be reported immediately after unpacking. Repairs carried out after expiry of the warranty period shall be subject to a fee.

## Scope of the warranty

This appliance has been manufactured in accordance with strict quality guidelines and inspected meticulously prior to delivery.

The warranty covers material faults or production faults. The warranty does not extend to product parts subject to normal wear and tear or fragile parts such as switches, batteries, baking moulds or parts made of glass.

The warranty does not apply if the product has been damaged, improperly used or improperly maintained. The directions in the operating instructions for the product regarding proper use of the product are to be strictly followed. Uses and actions that are discouraged in the operating instructions or which are warned against must be avoided.

This product is intended solely for private use and not for commercial purposes. The warranty shall be deemed void in cases of misuse or improper handling, use of force and modifications / repairs which have not been carried out by one of our authorised Service centres.

## Warranty claim procedure

To ensure quick processing of your case, please observe the following instructions:

- Please have the till receipt and the item number (e.g. IAN 12345) available as proof of purchase.
- You will find the item number on the type plate, an engraving on the front page of the instructions (bottom left), or as a sticker on the rear or bottom of the appliance.
- If functional or other defects occur, please contact the service department listed either by **telephone** or by **e-mail**.
- You can return a defective product to us free of charge to the service address that will be provided to you. Ensure that you enclose the proof of purchase (till receipt) and information about what the defect is and when it occurred.



You can download these instructions along with many other manuals, product videos and software on [www.lidl-service.com](http://www.lidl-service.com).

## Service

### GB Service Great Britain

Tel.: 0871 5000 720 (£ 0.10/Min.)

E-Mail: [kompernass@lidl.co.uk](mailto:kompernass@lidl.co.uk)

### IE Service Ireland

Tel.: 1890 930 034

(0,08 EUR/Min., (peak))

(0,06 EUR/Min., (off peak))

E-Mail: [kompernass@lidl.ie](mailto:kompernass@lidl.ie)

IAN 303861

## Importer

Please note that the following address is not the service address. Please use the service address provided in the operating instructions.

KOMPERNASS HANDELS GMBH

BURGSTRASSE 21

DE-44867 BOCHUM

GERMANY

[www.kompernass.com](http://www.kompernass.com)

## Recipes

In this section, we provide you with various sample recipes for preparing dishes. These examples are recommendations. Cooking times may vary.

These recipes are provided without guarantee. All information on ingredients and preparation is indicative only. Modify the suggested recipes to taste. We hope you enjoy the recipes and wish you "bon appetit"!

### NOTE

Take note of the preparation guidelines provided on the food packaging.

### Muffins

Ingredients for four people:

- ◆ 1 cup of flour
- ◆ 1 teaspoon of baking powder
- ◆ 1 egg
- ◆ 1 tablespoon of melted butter
- ◆ 1 cup of milk
- ◆ 3 tablespoons of sugar
- ◆ 1 pinch salt
- ◆ for variations: also nuts, chopped bananas or chocolate flakes

Preparation:

- 1) Gradually mix the flour, baking powder, egg, milk, salt and sugar together in a bowl, one by one.
- 2) Melt the butter in a saucepan and mix it into the dough.
- 3) Subject to taste, blend in the nuts, chocolate flakes or mashed bananas.
- 4) Place the prepared dough into standard muffin moulds and place them on the baking tray **11**.
- 5) Bake the muffins at 220 °C on the bottom rail using top & bottom heat for about 15 minutes.

### Hawaiian toast

Ingredients for 4 pieces of toast:

- ◆ 4 slices of toasting bread
- ◆ 1–2 tablespoons of remoulade
- ◆ 120 g cooked ham
- ◆ 1/2 tin of pineapples
- ◆ 4 slices of cheese for gratinating
- ◆ Curry

Preparation:

- ◆ Toast the bread slices.
- ◆ Spread the remoulade thinly over the pieces of toast and lay the slices of cooked ham on top.
- ◆ Lay one slice of pineapple on each piece of toast. Season with curry.
- ◆ Then place a slice of cheese over each of the pineapple slices.
- ◆ Lay the Hawaiian toasts on the rack **13** and bake at 200 °C for about 8 minutes on the upper rail using top heat.

### Baking deep-frozen pizza

Preparation:

- ◆ Place the rack **13** on the upper rail in the cooking chamber.
- ◆ Place the deep-frozen pizza (without packaging) onto the rack **13**.
- ◆ Bake the pizza, using upper and lower heat, for about 20 minutes.
- ◆ Please follow the instructions on the packaging regarding temperature.

### Spritzgebäck cookies

Ingredients:

- ◆ 125 g butter
- ◆ 125 g sugar
- ◆ 1 packet of vanilla sugar
- ◆ 1 pinch salt
- ◆ 1 egg
- ◆ 1 egg white
- ◆ 250 g flour (type 405)
- ◆ 1 teaspoon of baking powder
- ◆ Zest of half a lemon

Preparation:

- 1) Beat the butter until foamy.
- 2) Add the sugar, vanilla sugar, lemon zest and eggs.
- 3) Mix the flour, baking powder and salt and stir into the mixture using a mixing spoon.
- 4) Allow the dough to stand for about 10 minutes.
- 5) Shape the dough as desired, e.g. with the assistance of a mincer, cookie cutters or a piping bag.
- 6) Line the baking tray **11** with baking paper and place the cookies on this.
- 7) Bake the cookies on the top rail of a preheated oven at 180°C, using top and bottom heat, for about 10–15 minutes, until they are golden brown.

#### NOTE

This quantity of dough is sufficient for several baking trays **11**.

### Bread rolls

Ingredients:

- ◆ 300 g flour (or wholemeal flour)
- ◆ 2 heaped teaspoons of baking powder
- ◆ 200 g linseeds
- ◆ 1 egg
- ◆ 500 g quark or curd cheese
- ◆ 1 teaspoon of salt
- ◆ Subject to taste: caraway seeds, onions, bacon ...

Preparation:

- 1) Knead all ingredients together well and then shape into small rolls.
- 2) Line the baking tray **11** with baking paper and place the rolls on this.
- 3) Bake on the top rail at about 200°C for around 30 minutes.

#### NOTE

This quantity of dough is sufficient for several baking trays **11**.

## Meringues

Ingredients:

- ◆ 1 egg white
- ◆ Salt
- ◆ 45 g sugar

Preparation:

- 1) Place the chilled egg white into a fat-free mixing bowl. Ensure that no egg yolk is mixed in with it or the meringue will not solidify.
- 2) Beat the egg white at a slow speed, so that the bubbles formed in the meringue are not too large.
- 3) Add a pinch of salt to taste.
- 4) Gradually add in half of the sugar when the meringue starts to solidify.
- 5) Then beat it at the highest speed until stiff.
- 6) Add the remaining sugar. This allows the meringue to attain the required solidity.
- 7) Fill a piping bag fitted with a large star nozzle with the meringue mixture and squeeze out rosettes, slithers or other shapes onto a baking tray **11** lined with baking paper. Leave a little space between each shape.
- 8) Preheat the oven with grill to approx. 100° C with hot air.
- 9) Bake the meringues with hot air at approx. 100° C for about 2 hours.

## Buttered croutons

Ingredients:

- ◆ 2 slices of toasting bread
- ◆ 1 tbsp. butter

Preparation:

- 1) Cut the bread into small cubes.
- 2) Melt the butter at low heat in a saucepan and mix in the cubed bread.
- 3) Line a baking tray **11** with baking paper and distribute the bread cubes evenly on it.
- 4) Bake the bread cubes at 170° C (top heat) on the upper rail until golden brown (approx. 15-20 minutes).

### NOTE

You can also use herb or garlic butter instead of regular butter. Baking time is then reduced by about 5 minutes.

### Minced meat baguettes

Ingredients:

- ◆ 2 baguette rolls
- ◆ 250 g minced meat (half and half)
- ◆ 2 tomatoes
- ◆ 1 onion (diced)
- ◆ 2 tbsp. tomato purée
- ◆ 40 g grated Parmesan cheese
- ◆ 4 slices of cheese
- ◆ Salt and pepper

Preparation:

- 1) Slice the baguettes and hollow them out.
- 2) Mix together the minced meat, tomato paste, onion, Parmesan, some salt and a little pepper.
- 3) Shape the minced meat into four equal-sized, flat burgers and place them on the baguette halves.
- 4) Cut the tomatoes into slices and arrange them on the baguettes.
- 5) Arrange the cheese slices on the baguettes.
- 6) Place the baguettes on a baking tray **11** and then bake them on the bottom rail at about 230 °C in a preheated oven using top and bottom heat for about 20 minutes.

#### NOTE

You can also season the minced meat mixture with basil, chilli or other spices.

### Cauliflower (gratinated)

Ingredients:

- ◆ 1/2 head cauliflower (about 250 g)
- ◆ 3 lemon slices
- ◆ 1 tbsp. butter
- ◆ 1 heaped tsp. flour
- ◆ 1 tbsp. lemon juice
- ◆ 1 tbsp. slivered almonds
- ◆ 2 tbsp. gratin cheese (grated)
- ◆ Salt, pepper, nutmeg

Preparation:

- 1) Divide the cauliflower into florets and wash them.
- 2) Cook the cauliflower with the lemon slices in boiling, salted water for 8-10 minutes until the cauliflower is al dente. Retain about 150 ml of the cooking water before pouring the rest away.
- 3) Melt the butter in a saucepan and then brown the flour, while stirring continuously, for about 1 minute.
- 4) Continue stirring and pour in the cauliflower water and let it cook for about 2 minutes. If the roux gets too solid, gradually add more water until a creamy consistency is achieved. Season with lemon juice, nutmeg, salt and pepper.
- 5) Place the cauliflower in a baking dish (about 14 cm in diameter) and pour the sauce evenly over it.
- 6) Sprinkle in the cheese and almond slivers over it.
- 7) Place the baking dish on the baking tray **11**.
- 8) Bake the prepared dish at 200 °C in a preheated oven, using top and bottom heat, for about 20 minutes on the bottom rail.

## Salmon-filled flaky pastries (burek)

Ingredients:

- ◆ 1 pack of flaky pastry slices (approx. 8 pieces)
- ◆ 1 pack of smoked salmon, sliced (about 200 g)
- ◆ 1 lemon
- ◆ 1 onion
- ◆ 1 pack of cream cheese (200 g)
- ◆ Fresh dill
- ◆ Salt and pepper
- ◆ 1 egg yolk

Preparation:

- 1) Separate the puff pastry sheets and, if necessary, allow them to thaw.
- 2) Mix the cream cheese with salt, pepper and the juice of one lemon.
- 3) Finely dice the onion.
- 4) Add half of the salmon and the onion to the cream cheese mixture and mix it all coarsely with a blender.
- 5) Cut the remaining salmon into thin strips.
- 6) Add the salmon and the dill to the mixture and blend all ingredients together.
- 7) Place individual tablespoonfuls of the mixture on a flaky pastry sheet and fold them over.
- 8) Coat the resulting pouch with egg yolk.
- 9) Place the burek pieces on a baking sheet **11**. Leave sufficient space between the individual pouches because the flaky pastry will expand.
- 10) Bake the pastries on the lower rail at around 230 °C using top and bottom heat for about 25–30 minutes. The flaky pastry should turn light brown in colour.

### NOTE

The stated quantity of pastry is sufficient for several baking trays **11**.

# Inhaltsverzeichnis

<b>Einleitung</b> .....	<b>22</b>
<b>Bestimmungsgemäßer Gebrauch</b> .....	<b>22</b>
<b>Lieferumfang</b> .....	<b>22</b>
<b>Gerätebeschreibung</b> .....	<b>22</b>
<b>Technische Daten</b> .....	<b>22</b>
<b>Sicherheitshinweise</b> .....	<b>23</b>
<b>Aufstellen</b> .....	<b>26</b>
<b>Benutzung des Gerätes</b> .....	<b>26</b>
Glastür .....	26
Krümelblech einlegen .....	26
Drehspieß benutzen .....	27
Backblech/Gitterrost benutzen .....	28
<b>Vor dem ersten Gebrauch</b> .....	<b>28</b>
<b>Bedienen des Gerätes</b> .....	<b>29</b>
Funktionsschalter .....	29
Temperaturregler .....	29
Timer .....	29
<b>Grillen und Backen</b> .....	<b>29</b>
<b>Grillen mit Drehspieß</b> .....	<b>30</b>
<b>Reinigung und Pflege</b> .....	<b>32</b>
<b>Aufbewahrung</b> .....	<b>32</b>
<b>Fehlerbehebung</b> .....	<b>33</b>
<b>Entsorgung</b> .....	<b>34</b>
<b>Garantie der Kompernaß Handels GmbH</b> .....	<b>34</b>
Service .....	35
Importeur .....	35
<b>Rezepte</b> .....	<b>36</b>



## Einleitung

Herzlichen Glückwunsch zum Kauf Ihres neuen Gerätes.

Sie haben sich damit für ein hochwertiges Produkt entschieden. Die Bedienungsanleitung ist Bestandteil dieses Produkts. Sie enthält wichtige Hinweise für Sicherheit, Gebrauch und Entsorgung. Machen Sie sich vor der Benutzung des Produkts mit allen Bedien- und Sicherheitshinweisen vertraut. Benutzen Sie das Produkt nur wie beschrieben und für die angegebenen Einsatzbereiche. Händigen Sie alle Unterlagen bei Weitergabe des Produkts an Dritte mit aus.

## Bestimmungsgemäßer Gebrauch

Der Grill- und Backautomat dient ausschließlich dem Erhitzen, Garen und Grillen von Speisen.

Dieses Gerät ist ausschließlich für die Benutzung in privaten Haushalten bestimmt. Nutzen Sie es nicht gewerblich.

Jede andere Verwendung gilt als nicht bestimmungsgemäß und kann zu Sachschäden oder sogar zu Personenschäden führen.

## Lieferumfang

- ◆ Grill- und Backautomat
- ◆ 1 Backblech
- ◆ 1 Gitterrost
- ◆ 2 Zangen
- ◆ Drehspieß mit 2 Klemmen
- ◆ 1 Krümelblech
- ◆ Bedienungsanleitung

### HINWEIS

Kontrollieren Sie den Lieferumfang direkt nach dem Auspacken auf Vollständigkeit und Beschädigungen. Wenden Sie sich, wenn nötig, an den Service.

## Gerätebeschreibung

Abbildung A:

- 1 Antrieb
- 2 Temperaturregler
- 3 Funktionsschalter
- 4 Timer
- 5 Kontrollleuchte
- 6 Glastür
- 7 eingesetztes Krümelblech
- 8 untere Heizstäbe
- 9 Drehspießaufnahme

Abbildung B:

- 10 Zange (für Backblech und Gitterrost)
- 11 Backblech
- 12 Zange (für Drehspieß)
- 13 Gitterrost
- 14 Feststeller
- 15 Drehspießklemmen
- 16 Drehspieß

## Technische Daten


Nennspannung: 220 - 240 V ~  
(Wechselstrom),  
50/60 Hz

Leistungsaufnahme: 1500 W



Alle Teile dieses Gerätes, die mit Lebensmitteln in Berührung kommen, sind lebensmittelecht.

**Sicherheitshinweise****⚠ GEFAHR – ELEKTRISCHER SCHLAG!**

- ▶ Sie dürfen das Gerätegehäuse des Gerätes nicht öffnen oder reparieren. In diesem Falle ist die Sicherheit nicht gegeben und die Gewährleistung erlischt. Lassen Sie ein defektes Gerät nur vom Händler oder autorisiertem Fachpersonal reparieren.
  - ▶ Lassen Sie beschädigte Netzstecker oder Netzkabel sofort von autorisiertem Fachpersonal oder dem Kundenservice austauschen, um Gefährdungen zu vermeiden.
  - ▶ Lassen Sie keine Flüssigkeiten in das Gerätegehäuse gelangen. Sie dürfen das Gerät keiner Feuchtigkeit aussetzen und nicht im Freien benutzen. Darüber hinaus dürfen Sie keine mit Flüssigkeiten gefüllten Gegenstände, wie z. B. Vasen, auf dem Gerät abstellen. Es besteht Brandgefahr und Gefahr eines elektrischen Schlags! Falls doch einmal Flüssigkeit in das Gerätegehäuse gelangt, ziehen Sie sofort den Netzstecker des Geräts aus der Netzsteckdose und lassen Sie es reparieren.
  - ▶ Fassen Sie Gerät, Netzkabel und -stecker nie mit nassen Händen an. Es besteht sonst die Gefahr eines elektrischen Schlags.
-  Tauchen Sie das Gerät niemals in Wasser oder andere Flüssigkeiten! Hier kann Lebensgefahr durch elektrischen Schlag entstehen, wenn im Betrieb Flüssigkeitsreste auf spannungsführende Teile gelangen.

## **⚠️ WARNUNG – VERLETZUNGSGEFAHR!**

- ▶ Dieses Gerät kann von Kindern ab 8 Jahren sowie von Personen mit reduzierten physischen, sensorischen oder mentalen Fähigkeiten oder Mangel an Erfahrung und/oder Wissen benutzt werden, wenn sie beaufsichtigt oder bezüglich des sicheren Gebrauchs des Gerätes unterwiesen wurden und die daraus resultierenden Gefahren verstanden haben.
- ▶ Kinder dürfen nicht mit dem Gerät spielen.
- ▶ Reinigung und Benutzer-Wartung dürfen nicht durch Kinder durchgeführt werden, es sei denn, sie sind älter als 8 Jahre und beaufsichtigt.
- ▶ Kinder jünger als 8 Jahre sind von Gerät und Anschlussleitung fernzuhalten.
- ▶ Verlegen Sie das Netzkabel so, dass niemand darauf treten oder darüber stolpern kann.
- ▶ Berühren Sie niemals die Glastür oder das Gehäuse während der Benutzung, da diese sehr heiß werden. Verwenden Sie zum Öffnen der Glastür einen Topflappen o. Ä., um Verbrennungen zu vermeiden!
- ▶ Berühren Sie niemals die Heizstäbe oder das Sichtfenster während des Betriebs oder bevor das Gerät abgekühlt ist. Fassen Sie während des Betriebs nicht in den Garraum. Warten Sie bis das Gerät abgekühlt ist. Sie könnten sich andernfalls verbrennen.
- ▶ Lassen Sie das Gerät nach dem Gebrauch erst abkühlen, bevor Sie es transportieren.
- ▶ Benutzen Sie immer Topfhandschuhe oder Topflappen, wenn Sie mit dem heißen Gerät hantieren!



Vorsicht! Heiße Oberfläche!

**ACHTUNG – SACHSCHADEN!**

- ▶ Benutzen Sie keine externe Zeitschaltuhr oder ein separates Fernwirkssystem, um das Gerät zu betreiben.
- ▶ Lassen Sie das Gerät während des Betriebes niemals unbeaufsichtigt.
- ▶ Stellen Sie sicher, dass das Gerät, das Netzkabel oder der Netzstecker nicht mit heißen Quellen, wie Kochplatten oder offenen Flammen, in Berührung kommen.
- ▶ Betreiben Sie das Gerät ausschließlich mit dem mitgelieferten Originalzubehör.
- ▶ Knicken oder quetschen Sie das Netzkabel nicht.
- ▶ Ziehen Sie das Netzkabel stets am Stecker aus der Steckdose, ziehen Sie nicht am Kabel selbst.
- ▶ Es dürfen sich während des Betriebs keine leicht brennbaren Materialien in unmittelbarer Umgebung des Grill- und Backautomaten befinden (z. B. Geschirrhandtuch, Topflappen etc.).
- ▶ Trocknen Sie niemals Textilien oder Gegenstände auf, über oder im Gerät. Es besteht Brandgefahr.

## Aufstellen

### ⚠️ WARNUNG! BRANDGEFAHR!

- ▶ Stellen Sie das Gerät niemals unter Hängeschränke oder neben Gardinen, Schrankwänden oder anderen entzündlichen Gegenständen.
- ▶ Der Abstand des Gerätes zu Hängeschränken, Decken, seitlichen Wänden oder Ähnlichem muss nach oben hin mindestens 10 cm und seitlich jeweils 5 cm betragen. Daher darf das Gerät z. B. nicht in Schränke o. Ä. gestellt werden. Andernfalls ist keine ausreichende Belüftung des Gerätes möglich und es könnte einen Brand verursachen oder beschädigt werden.
- ▶ Stellen Sie das Gerät nur auf eine hitzebeständige Unterlage. Andernfalls besteht Brandgefahr und das Gerät kann beschädigt werden. Der Bereich unter dem Geräteboden kann sich verfärben und beschädigt werden. Darüber hinaus können bei einem weichen Untergrund dauerhafte Abdrücke in der Unterlage entstehen.

### ⚠️ GEFAHR - ELEKTRISCHER SCHLAG!

- ▶ Stellen Sie das Gerät nicht in unmittelbarer Nähe von Wasser auf, z. B. an Spülbecken, Waschwannen oder in feuchten Kellerräumen. Andernfalls besteht die Gefahr eines Stromschlags.
- Stellen Sie das Gerät auf einem festen, ebenen und hitzebeständigen Untergrund (z. B. Edeltahlarbeitsplatten oder Natursteinarbeitsplatten wie Granit) auf. Sorgen Sie für ausreichende Belüftung rund um das Gerät.
- Schieben Sie das Gerät mit der Rückseite bis an die Wand. Die Abstandhalter an der Rückseite müssen die Wand berühren. Achten Sie darauf, dass die Wand aus hitzebeständigem Material besteht, z. B. ein Fliesenspiegel, Naturstein oder Granit.
- Reinigen Sie alle Teile wie im Kapitel „Reinigung und Pflege“ beschrieben.

## Benutzung des Gerätes

### Glastür

#### ACHTUNG! SACHSCHADEN!

- ▶ Stützen Sie sich nicht auf der Glastür ❹ ab. Stellen Sie keine Gegenstände auf die Glastür ❹. Das führt zu Beschädigungen an den Scharnieren.
- Wenn Sie besonders fetthaltige Speisen zubereiten, kann es zu erhöhter Rauchentwicklung kommen. Schließen Sie in diesem Fall die Glastür ❹ nicht ganz, sondern lassen Sie sie einen Spalt breit offen stehen:  
Die Glastür ❹ hat eine Raststellung, so dass diese einen Spalt breit offen steht: Wenn Sie die Glastür ❹ vorsichtig zuklappen, rastet diese kurz vor dem Schließen in dieser Stellung ein.
- Auch beim Trocknen von Obst, um Trockenobst herzustellen, sollte die Glastür ❹ in der Raststellung stehen bleiben, damit die Feuchtigkeit entweichen kann und das Obst besser trocknet.

### Krümblech einlegen

- Schieben Sie das Krümblech ❺ unter die unteren Heizstäbe ❸, so dass es flach auf dem Geräteboden aufliegt. Die Seite, die höher gebogen ist, können Sie als Griff benutzen. Die Seite, die nicht so hoch gebogen ist, muss voran in das Gerät geschoben werden.

## Drehspieß benutzen

### ⚠️ **WARNUNG! VERLETZUNGSGEFAHR!**

- ▶ Benutzen Sie immer die Zange **12**, um den heißen Drehspieß **16** in das Gerät einzusetzen oder herauszunehmen.
- Mit den beiden Drehspießklemmen **15** können Sie das Grillgut am Drehspieß **16** fixieren. Lösen Sie die Feststeller **14** an den Drehspießklemmen **15**, verschieben Sie diese so, dass das Grillgut dazwischen fest geklemmt wird und schrauben Sie die Feststeller **14** wieder fest.
- Schieben Sie zuerst das Ende des Drehspießes **16** ohne Nut in den Antrieb **1** (Abb. 1):

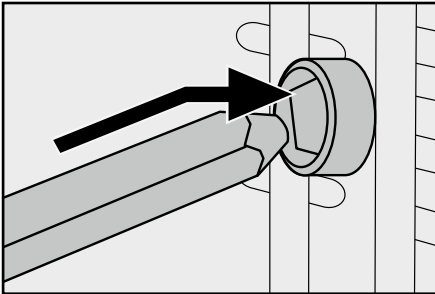


Abb. 1: Drehspieß **16** in den Antrieb **1** schieben.

- Legen Sie dann das andere Ende des Drehspießes **16** mit der tiefen Nut in die Drehspießaufnahme **9** (Abb. 2):

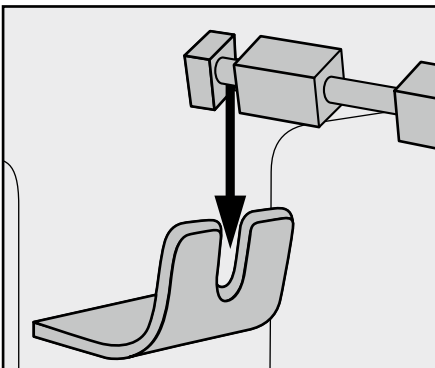


Abb. 2: Drehspieß **16** in die Drehspießaufnahme **9** legen

### HINWEIS

- ▶ Schieben Sie immer das Backblech **11** in die untere Schiene, wenn Sie den Drehspieß **16** verwenden. So werden herunterfallende Flüssigkeiten aufgefangen.
- Um den heißen Drehspieß **16** zu entnehmen, greifen Sie mit den Haken am Ende der Zange **12** in die Vertiefungen am Drehspieß **16** (Abb. 3):

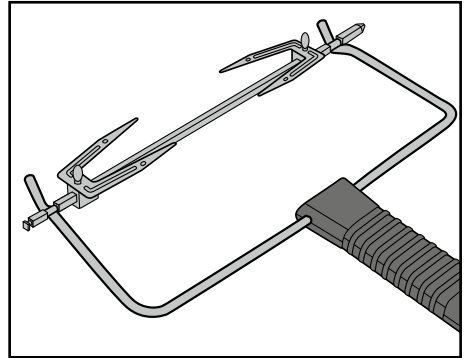


Abb. 3: Einhängen der Zange **12** beim Drehspieß **16**

- Heben Sie zuerst die linke Seite des Drehspießes **16** aus der Drehspießaufnahme **9** und ziehen Sie dann den Drehspieß **16** aus dem Antrieb **1**.

## Backblech/Gitterrost benutzen

### **⚠️ WARNUNG! VERLETZUNGSGEFAHR!**

► Benutzen Sie immer die Zange **10**, um das heiße Backblech **11**/den heißen Gitterrost **13** in das Gerät einzusetzen oder herauszunehmen.

■ Schieben Sie das Backblech **11**/den Gitterrost **13** in eine der 3 Schienen im Garraum des Gerätes.

### **ACHTUNG! SACHSCHADEN!**

► Legen Sie das Backblech **11**/den Gitterrost **13** niemals direkt auf die Heizstäbe **8**.

■ Um das heiße Backblech **11** oder den Gitterrost **13** entnehmen zu können, haken Sie die Zange **10** folgendermaßen ein:

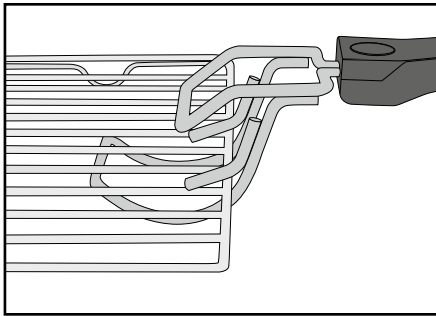


Abb. 4: Einhaken der Zange **10** beim Gitterrost **13**

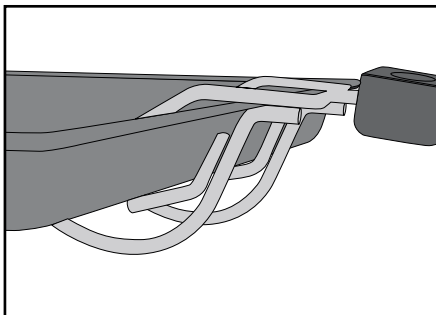



Abb. 5: Einhaken der Zange **10** beim Backblech **11**

## Vor dem ersten Gebrauch

- 1) Stecken Sie den Netzstecker in eine Netzsteckdose.
- 2) Drehen Sie den Temperaturregler **2** bis zum Anschlag im Uhrzeigersinn auf die höchste Temperatur.
- 3) Drehen Sie den Funktionsschalter **3** auf „Ober- und Unterhitze“ .
- 4) Öffnen Sie die Glastür **6** und lassen Sie diese für diesen Vorgang geöffnet.
- 5) Entnehmen Sie eventuell eingesetztes Zubehör aus dem Garraum.
- 6) Drehen Sie den Timer **4** auf 20 Minuten.

### **HINWEIS**

► Beim erstmaligen Aufheizen des Gerätes kann es durch fertigungsbedingte Rückstände zu leichter Rauch- und Geruchsentwicklung kommen. Das ist normal und völlig ungefährlich.

Sorgen Sie für ausreichende Belüftung, öffnen Sie zum Beispiel ein Fenster.

Das Gerät schaltet sich nach 20 Minuten automatisch aus.

Wenn Sie den Heizvorgang vorzeitig unterbrechen wollen, drehen Sie den Temperaturregler **2** bis zum Anschlag gegen den Uhrzeigersinn und stellen Sie den Timer **4** auf „OFF“.






- 7) Lassen Sie das Gerät abkühlen und reinigen Sie das Gerät wie im Kapitel „Reinigen und Pflegen“ beschrieben.

Das Gerät ist nun betriebsbereit.

## Bedienen des Gerätes

### Funktionsschalter

Am Funktionsschalter **3** können Sie das Gerät einschalten sowie 5 verschiedene Funktionen einstellen:


Symbol	Bedeutung
	„Unterhitze“ z. B. zum Kuchenbacken
	„Oberhitze“ z. B. zum Überbacken
	„Ober- & Unterhitze“ z. B. zum Pizza backen
	„Oberhitze/Umluft/ Drehspieß“ z. B. um Geflügel zu grillen
	„Ober- & Unterhitze/Umluft“ z. B. um Brötchen aufzubacken
OFF	„OFF“ das Gerät ist ausgeschaltet

### Temperaturregler

Am Temperaturregler **2** können Sie die gewünschte Temperatur einstellen.

### Timer

Mit Hilfe des Timers **4** können Sie das Gerät einschalten / die Garzeit einstellen:

- Stellen Sie den Timer **4** auf die gewünschte Garzeit. Nach Beendigung der eingestellten Zeit erklingt ein Signalton und das Gerät stoppt das Heizen. Falls die Funktion „Oberhitze/Umluft/Drehspieß“  gewählt ist, stoppt auch das Drehen des Drehspießes **16**.
- Wenn Sie das Gerät ohne Zeitbegrenzung betreiben wollen, drehen Sie den Drehschalter des Timers **4** gegen den Uhrzeigersinn auf die Position „ON“.

## Grillen und Backen

- 1) Legen Sie das Krümelblech **7** in das Gerät.
- 2) Nehmen Sie den Gitterrost **15** und das Backblech **11** aus dem Gerät. Legen Sie diese gegebenenfalls mit Backpapier aus bzw. bestreichen Sie das Backblech **11** mit zum Backen geeignetem Fett.

### HINWEIS

- Je nach Gericht muss der Backofen vorgeheizt werden. Halten Sie sich an die Vorgaben im jeweiligen Rezept. Das Vorheizen ist auf jeden Fall sinnvoll bei:
  - sehr kurzen Backzeiten,
  - knusprigen Krusten,
  - empfindlichen Gerichten, die eine konstante Temperatur erfordern, wie zum Beispiel Soufflés.
- Wenn kein Vorheizen nötig ist, überspringen Sie Handlungsschritt 3).

- 3) Lassen Sie das Gerät ca. 10 Minuten (je nach Temperatureinstellung) auf die gewünschte Temperatur aufheizen:
  - Wählen Sie die gewünschte Temperatur mit dem Temperaturregler **2**.
  - Anschließend wählen Sie mit dem Funktionsschalter **3** die gewünschte Funktion.



## HINWEIS

- ▶ Falls Sie die Funktion mit Umluft wählen, können Sie in der Regel auf ein Vorheizen des Grill- und Garraums verzichten.
    - Stellen Sie mit dem Timer **4** die Vorheizzeit ein (ca. 10 Minuten).
    - Schließen Sie die Glastür **6**.
- 4) Ist die Zeit abgelaufen, legen Sie das Grill- bzw. Backgut auf den Gitterrost **13** bzw. das Backblech **11** und schieben Sie es in eine der Schienen. Achten Sie dabei auf einen ausreichenden Abstand des Grill- bzw. Backguts zu den Innenwänden und den Heizstäben des Geräts.

## HINWEIS

- ▶ Wenn Sie stark tropfendes Grillgut auf dem Gitterrost **13** zubereiten, dann schieben Sie das Backblech **11** in die unterste Schiene. So wird z. B. herunter tropfendes Fett aufgefangen und das Gerät ist später leichter zu reinigen.
- 5) Schließen Sie die Glastür **6**, bevor Sie den Grill- Backvorgang starten.
- 6) Stellen Sie ggf. mit dem Timer **4** die gewünschte Grill- bzw. Backzeit ein. Die maximale mit dem Timer **4** einstellbare Grill- bzw. Backzeit beträgt 120 Minuten. Alternativ können Sie den Timer **4** auch auf die Position „ON“ stellen, um das Gerät unbegrenzte Zeit zu betreiben.

## HINWEIS

- ▶ Wenn die Garzeit Ihres Grill- bzw. Backguts weniger als 20 Minuten beträgt, stellen Sie den Timer **4** zunächst auf 40 Minuten und dann zurück auf die gewünschte Grill- bzw. Backzeit.

Die Kontrollleuchte **5** zeigt an, dass das Gerät eingeschaltet ist. Wenn Sie das Gerät mit einer voreingestellter Backzeit benutzen, bewegt sich nun der Schalter des Timers **4** auf die Position „OFF“ zu.

Das Gerät schaltet sich ggf. nach der eingestellten Zeit automatisch aus, ein Signalton erklingt und die Kontrollleuchte **5** erlischt.

## HINWEIS

Wenn Sie den Heizvorgang vorzeitig unterbrechen wollen, drehen Sie den Temperaturregler **2** bis zum Anschlag gegen den Uhrzeigersinn und stellen Sie den Timer **4** auf „OFF“.


- 7) Falls Sie das Gerät nicht mit einer voreingestellter Backzeit betreiben, stellen Sie den Timer **4** auf „OFF“, wenn Sie den Heizvorgang beenden wollen.
- 8) Entnehmen Sie nach dem Heizvorgang den Gitterrost **13** bzw. das Backblech **11** mit Hilfe der Zange **10**.
- 9) Stellen Sie den Funktionsschalter **3** auf „OFF“.

## Grillen mit Drehspieß

- 1) Legen Sie das Krümelblech **7** in das Gerät.
- 2) Falls eingesetzt, nehmen Sie den Drehspieß **16** aus dem Gerät.
- 3) Schieben Sie das Backblech **11** in die unterste Schiene.
- 4) Fixieren Sie das Grillgut mit den Drehspießklemmen **15**. Achten Sie darauf, dass das Grillgut sich frei im Garraum drehen kann, ohne im Garraum anzustoßen. Es kann passieren, dass der Drehspieß **16** die Drehrichtung wechselt, wenn das Grillgut gegen einen Widerstand stößt. Die beiden Vertiefungen, die sich am Drehspieß **16** befinden, müssen frei zugänglich bleiben, ansonsten kann man den Drehspieß **16** nicht mit der Zange **12** greifen.
- 5) Befestigen Sie den Drehspieß **16** im Garraum (siehe Kapitel „Drehspieß benutzen“).
- 6) Schließen Sie die Glastür **6**.

## HINWEIS

Wenn Sie den Heizvorgang vorzeitig unterbrechen wollen, drehen Sie den Temperaturregler **2** bis zum Anschlag gegen den Uhrzeigersinn und stellen Sie den Timer **4** auf „OFF“.

- 7) Stellen Sie am Temperaturregler **2** die gewünschte Temperatur ein.
- 8) Stellen Sie den Funktionsschalter **3** auf „Oberhitze/Umluft/Drehspieß“ .
- 9) Stellen Sie, falls gewünscht, am Timer **4** die gewünschte Grillzeit ein. Alternativ können Sie den Timer **4** auch auf die Position „ON“ stellen, um das Gerät unbegrenzte Zeit zu betreiben.

Das Gerät startet den Grillvorgang und der Drehspieß **15** dreht sich.

Die Kontrollleuchte **5** zeigt an, dass das Gerät eingeschaltet ist. Wenn Sie das Gerät mit einer voreingestellten Backzeit benutzen, bewegt sich nun der Schalter des Timers **4** auf die Position „OFF“ zu.

Das Gerät schaltet sich ggf. nach der eingestellten Zeit automatisch aus, ein Signalton erklingt und die Kontrollleuchte **5** erlischt.

## HINWEIS



Wenn Sie den Heizvorgang vorzeitig unterbrechen wollen, drehen Sie den Temperaturregler **2** bis zum Anschlag gegen den Uhrzeigersinn und stellen Sie den Timer **4** auf „OFF“.

- 10) Falls Sie das Gerät nicht mit einer voreingestellten Backzeit betreiben, stellen Sie den Timer **4** auf „OFF“, wenn Sie den Heizvorgang beenden wollen.
- 11) Entnehmen Sie nach dem Grillvorgang den Drehspieß **15** mit Hilfe der Zange **12**.
- 12) Stellen Sie den Funktionsschalter **3** auf „OFF“.

## BEISPIEL GRILLHÄHNCHEN

### Zutaten


- ◆ Grillhähnchen (ca. 1,3 kg, ausgenommen)
- ◆ Gewürze (Salz, Paprika)
- ◆ Speiseöl

- 1) Würzen Sie das Grillhähnchen von innen und außen mit Salz und Paprikapulver. Streichen Sie es von außen mit hitzebeständigem Speiseöl ein.
- 2) Schieben Sie das Grillhähnchen auf den Drehspieß **15** und fixieren Sie es mit den Drehspießklemmen **15**. Achten Sie dabei darauf, dass die Vertiefungen am Drehspieß **15** frei bleiben, damit Sie den Drehspieß **15** mit Hilfe der Zange **12** greifen können. Je nach Form des Grillhähnchens ist es nötig die Flügel und Schenkel mit einer feuerfesten Bindschnur zu fixieren, damit diese während des Drehens nicht anstoßen.
- 3) Schieben Sie das Backblech **11** in die unterste Schiene.
- 4) Heizen Sie das Gerät ca. 10 Minuten mit der Funktion „Ober- & Unterhitze/Umluft“  auf 230° C vor.
- 5) Setzen Sie das Grillhähnchen auf dem Drehspieß mit Hilfe der Zange **12** in das Gerät ein.
- 6) Stellen Sie den Funktionsschalter auf „Oberhitze/Umluft/Drehspieß“  und schließen Sie die Tür.
- 7) Stellen Sie den Timer **4** auf ca. 80 Minuten. Die Garzeit kann je nach Größe und Beschaffenheit des Grillhähnchens variieren.
- 8) Bestreichen Sie das Grillhähnchen zwischendurch immer wieder mit etwas Speiseöl. So wird es knusprig.
- 9) Wenn die eingestellte Zeit abgelaufen ist, entnehmen Sie den Grillspieß mit dem Grillhähnchen vorsichtig mit der Zange **12**. Lösen Sie die Drehspießklemmen **15** und ziehen Sie das Grillhähnchen vom Drehspieß **15**.

## Reinigung und Pflege

### ⚠ GEFAHR - ELEKTRISCHER SCHLAG!

- ▶ Ziehen Sie vor jeder Reinigung den Netzstecker aus der Netzsteckdose! Es besteht die Gefahr eines elektrischen Schlages!

 Tauchen Sie das Gerät niemals in Wasser oder andere Flüssigkeiten!

### ⚠ WARNUNG! VERLETZUNGSGEFAHR!

- ▶ Lassen Sie das Gerät immer erst abkühlen, bevor Sie es reinigen. Es besteht sonst Verbrennungsgefahr!

- Reinigen Sie das Gerät und die Zubehörteile am besten sofort nach dem Abkühlen. Dann lassen sich Lebensmittelreste leichter entfernen.

### ACHTUNG! SACHSCHADEN!

- ▶ Verwenden Sie keine scheuernden oder aggressiven Reinigungsmittel. Diese können die Oberfläche beschädigen!
- ▶ Reinigen Sie die Teile des Gerätes nicht in der Spülmaschine!
- ▶ Reinigen Sie den Garraum nicht mit einem Backofenspray, da sich Rückstände auf den Heizstäben nicht mehr entfernen lassen.

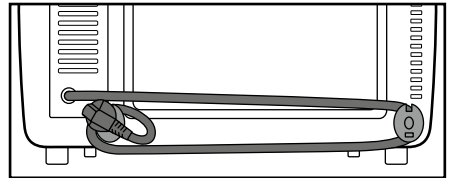
- Wischen Sie das Gerät mit einem feuchten Tuch ab. Bei Bedarf geben Sie ein mildes Spülmittel auf das Tuch und wischen Sie mit einem mit klarem Wasser befeuchteten Tuch nach. Trocknen Sie alles gut ab.

- Reinigen Sie den Garraum und die Glastür **6** mit einem feuchten Tuch. Bei Bedarf geben Sie ein mildes Spülmittel auf das Tuch und wischen Sie mit einem mit klarem Wasser befeuchteten Tuch nach. Trocknen Sie alles gut ab.

- Reinigen Sie die Zangen **10/12**, den Drehspieß **16**, die Drehspießklemmen **15**, die Feststeller **14**, das Backblech **11**, den Gitterrost **13** und das Krümelblech **7** in warmem Spülwasser. Trocknen Sie alle Teile nach der Reinigung gut ab.

## Aufbewahrung

- Sie können das Netzkabel um die Abstandhalter auf der Rückseite des Gerätes wickeln und den Stecker an einem der Abstandhalter fixieren:



- Bewahren Sie das gereinigte Gerät und seine Zubehörteile an einem sauberen, staubfreien und trockenen Ort auf.

## Fehlerbehebung

Fehler	Ursache	Lösung
Das Gerät funktioniert nicht.	Der Netzstecker ist nicht mit dem Stromnetz verbunden.	Stecken Sie den Netzstecker in eine Netzsteckdose.
	Die Netzsteckdose ist defekt.	Benutzen Sie eine andere Netzsteckdose.
	Das Gerät ist defekt.	Wenden Sie sich an den Service.
Die Kontrollleuchte <b>5</b> leuchtet, aber das Gerät heizt nicht.	Der Funktionsschalter <b>3</b> steht auf OFF.	Drehen Sie den Funktionsschalter <b>3</b> auf die gewünschte Funktion.
Die Garzeit der Speisen erscheint sehr lang.	Die Glastür <b>6</b> wurde sehr oft geöffnet, um den Garfortschritt zu kontrollieren.	Öffnen Sie die Glastür <b>6</b> nicht öfter, als unbedingt notwendig.
	Es ist eine falsche Temperatur eingestellt.	Überprüfen Sie die Temperatureinstellungen.
Während der Benutzung tritt Rauch- und Geruchsentwicklung auf.	An den Heizstäben befinden sich Reinigungs- oder Lebensmittelrückstände.	Entnehmen Sie die Speisen aus dem Gerät und führen Sie den Garvorgang mit geöffneter Glastür <b>6</b> fort, bis die Rauchentwicklung verschwunden ist.

Sollten sich die Störungen nicht mit oben stehenden Fehlerbehebungen beheben lassen oder wenn Sie andere Arten von Störungen feststellen, wenden Sie sich bitte an unseren Service.

## Entsorgung

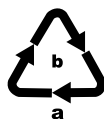


**Werfen Sie das Gerät keinesfalls in den normalen Hausmüll. Dieses Produkt unterliegt der europäischen Richtlinie 2012/19/EU.**

Entsorgen Sie das Gerät über einen zugelassenen Entsorgungsbetrieb oder über Ihre kommunale Entsorgungseinrichtung. Beachten Sie die aktuell geltenden Vorschriften. Setzen Sie sich im Zweifelsfall mit Ihrer Entsorgungseinrichtung in Verbindung.



Möglichkeiten zur Entsorgung des ausgedienten Produkts erfahren Sie bei Ihrer Gemeinde- oder Stadtverwaltung.



Entsorgen Sie die Verpackung umweltgerecht. Beachten Sie die Kennzeichnung auf den verschiedenen Verpackungsmaterialien und trennen Sie diese gegebenenfalls gesondert. Die Verpackungsmaterialien sind gekennzeichnet mit Abkürzungen (a) und Ziffern (b) mit folgender Bedeutung: 1–7: Kunststoffe, 20–22: Papier und Pappe, 80–98: Verbundstoffe



Die Verpackung besteht aus umweltfreundlichen Materialien, die Sie über die örtlichen Recyclingstellen entsorgen können.

## Garantie der Kompernaß Handels GmbH

Sehr geehrte Kundin, sehr geehrter Kunde,

Sie erhalten auf dieses Gerät 3 Jahre Garantie ab Kaufdatum. Im Falle von Mängeln dieses Produkts stehen Ihnen gegen den Verkäufer des Produkts gesetzliche Rechte zu. Diese gesetzlichen Rechte werden durch unsere im Folgenden dargestellte Garantie nicht eingeschränkt.

### Garantiebedingungen

Die Garantiefrist beginnt mit dem Kaufdatum. Bitte bewahren Sie den Original-Kassenbon gut auf. Diese Unterlage wird als Nachweis für den Kauf benötigt.

Tritt innerhalb von drei Jahren ab dem Kaufdatum dieses Produkts ein Material- oder Fabrikationsfehler auf, wird das Produkt von uns – nach unserer Wahl – für Sie kostenlos repariert oder ersetzt. Diese Garantieleistung setzt voraus, dass innerhalb der Drei-Jahres-Frist das defekte Gerät und der Kaufbeleg (Kassenbon) vorgelegt und schriftlich kurz beschrieben wird, worin der Mangel besteht und wann er aufgetreten ist.

Wenn der Defekt von unserer Garantie gedeckt ist, erhalten Sie das reparierte oder ein neues Produkt zurück. Mit Reparatur oder Austausch des Produkts beginnt kein neuer Garantiezeitraum.

### Garantiezeit und gesetzliche Mängelansprüche

Die Garantiezeit wird durch die Gewährleistung nicht verlängert. Dies gilt auch für ersetzte und reparierte Teile. Eventuell schon beim Kauf vorhandene Schäden und Mängel müssen sofort nach dem Auspacken gemeldet werden. Nach Ablauf der Garantiezeit anfallende Reparaturen sind kostenpflichtig.

## Garantieumfang

Das Gerät wurde nach strengen Qualitätsrichtlinien sorgfältig produziert und vor Auslieferung gewissenhaft geprüft.

Die Garantieleistung gilt für Material- oder Fabrikationsfehler. Diese Garantie erstreckt sich nicht auf Produktteile, die normaler Abnutzung ausgesetzt sind und daher als Verschleißteile angesehen werden können oder für Beschädigungen an zerbrechlichen Teilen, z. B. Schalter, Akkus, Backformen oder Teile die aus Glas gefertigt sind.

Diese Garantie verfällt, wenn das Produkt beschädigt, nicht sachgemäß benutzt oder gewartet wurde. Für eine sachgemäße Benutzung des Produkts sind alle in der Bedienungsanleitung aufgeführten Anweisungen genau einzuhalten. Verwendungszwecke und Handlungen, von denen in der Bedienungsanleitung abgeraten oder vor denen gewarnt wird, sind unbedingt zu vermeiden.

Das Produkt ist nur für den privaten und nicht für den gewerblichen Gebrauch bestimmt. Bei missbräuchlicher und unsachgemäßer Behandlung, Gewaltanwendung und bei Eingriffen, die nicht von unserer autorisierten Service-Niederlassung vorgenommen wurden, erlischt die Garantie.

## Abwicklung im Garantiefall

Um eine schnelle Bearbeitung ihres Anliegens zu gewährleisten, folgen Sie bitte den folgenden Hinweisen:

- Bitte halten Sie für alle Anfragen den Kassenbon und die Artikelnummer (z. B. IAN 12345) als Nachweis für den Kauf bereit.
- Die Artikelnummer entnehmen Sie bitte dem Typenschild, einer Gravur, auf dem Titelblatt ihrer Anleitung (unten links) oder als Aufkleber auf der Rück- oder Unterseite.
- Sollten Funktionsfehler oder sonstige Mängel auftreten, kontaktieren Sie zunächst die nachfolgend benannte Serviceabteilung **telefonisch** oder per **E-Mail**.
- Ein als defekt erfasstes Produkt können Sie dann unter Beifügung des Kaufbelegs (Kassenbon) und der Angabe, worin der Mangel besteht und wann er aufgetreten ist, für Sie portofrei an die Ihnen mitgeteilte Service-Anschrift übersenden.



Auf [www.lidl-service.com](http://www.lidl-service.com) können Sie diese und viele weitere Handbücher, Produktvideos und Software herunterladen.

## Service

### DE Service Deutschland

Tel.: 0800 5435 111 (Kostenfrei aus dem dt. Festnetz/Mobilfunknetz)  
E-Mail: [kompernass@lidl.de](mailto:kompernass@lidl.de)

### AT Service Österreich

Tel.: 0820 201 222 (0,15 EUR/Min.)  
E-Mail: [kompernass@lidl.at](mailto:kompernass@lidl.at)

### CH Service Schweiz

Tel.: 0842 665566 (0,08 CHF/Min., Mobilfunk max. 0,40 CHF/Min.)  
E-Mail: [kompernass@lidl.ch](mailto:kompernass@lidl.ch)

IAN 303861

## Importeur

Bitte beachten Sie, dass die folgende Anschrift keine Serviceanschrift ist. Kontaktieren Sie zunächst die benannte Servicestelle.

KOMPERNASS HANDELS GMBH

BURGSTRASSE 21

DE-44867 BOCHUM

DEUTSCHLAND

[www.kompernass.com](http://www.kompernass.com)

## Rezepte

In diesem Kapitel geben wir Ihnen einige Beispiele für die Zubereitung von Speisen. Diese Beispiele sind Empfehlungen. Die Zubereitungsdauer kann variieren.

Rezepte ohne Gewähr. Alle Zutaten- und Zubereitungsangaben sind Anhaltswerte. Ergänzen Sie diese Rezeptvorschläge um Ihre persönlichen Erfahrungswerte. Wir wünschen Ihnen auf jeden Fall gutes Gelingen und guten Appetit.

### HINWEIS

Beachten Sie Zubereitungshinweise auf der Verpackung der Lebensmittel.

### Muffins

Zutaten für vier Personen:

- ◆ 1 Tasse Mehl
- ◆ 1 Teelöffel Backpulver
- ◆ 1 Ei
- ◆ 1 Esslöffel geschmolzene Butter
- ◆ 1 Tasse Milch
- ◆ 3 Esslöffel Zucker
- ◆ 1 Prise Salz
- ◆ für verschiedene Varianten zusätzlich Nüsse, zerkleinerte Bananen oder Schokoflocken

Zubereitung:

- 1) Vermischen Sie in einer Schale Mehl, Backpulver, Ei, Milch, Salz und Zucker langsam nacheinander.
- 2) Die Butter in einem Topf schmelzen und mit dem Teig verrühren.
- 3) Je nach Geschmack mit Nüssen, Schokoflocken oder zerdrückten Bananen mischen.
- 4) Den fertigen Teig in typische Muffin-Formen geben und diese auf das Backblech ① stellen.
- 5) Die Muffins bei 220° C mit Ober- und Unterhitze etwa 15 Minuten auf der unteren Schiene backen.

### Hawaiitoast

Zutaten für 4 Toasts:

- ◆ 4 Scheiben Toast
- ◆ 1–2 Esslöffel Remoulade
- ◆ 120 g gekochter Schinken
- ◆ 1/2 Dose Ananas
- ◆ 4 Scheiben Käse zum Überbacken
- ◆ Curry

Zubereitung:

- ◆ Die Toastscheiben vortoasten.
- ◆ Anschließend dünn mit Remoulade bestreichen und mit dem gekochten Schinken belegen.
- ◆ Jeweils eine Scheibe Ananas auf den belegten Toast legen. Mit Curry würzen.
- ◆ Danach jeweils eine Scheibe Käse oben auf die Ananas legen.
- ◆ Die Hawaiitoasts auf den Gitterrost ⑬ legen und im Grill- und Backautomaten auf der oberen Schiene bei ca. 200 °C Oberhitze ca. 8 Minuten überbacken.

### Tiefgefrorene Pizza backen

Zubereitung:

- ◆ Schieben Sie den Gitterrost ⑬ in die obere Schiene des Grill- und Backraums.
- ◆ Legen Sie die tiefgefrorene Pizza ohne Verpackung auf den Gitterrost ⑬.
- ◆ Backen Sie die Pizza bei Ober- und Unterhitze ca. 20 Minuten.
- ◆ Bitte beachten Sie die Verpackungsangaben bezüglich der Temperatur.

## Spritzgebäck

Zutaten:

- ◆ 125 g Butter
- ◆ 125 g Zucker
- ◆ 1 Päckchen Vanillinzucker
- ◆ 1 Prise Salz
- ◆ 1 Ei
- ◆ 1 Eiweiß
- ◆ 250 g Mehl (Type 405)
- ◆ 1 Teelöffel Backpulver
- ◆ abgeriebene Schale einer halben Zitrone

Zubereitung:

- 1) Die Butter schaumig schlagen.
- 2) Den Zucker, den Vanillinzucker, die Zitronenschale und die Eier dazugeben.
- 3) Das Mehl, das Backpulver und das Salz mischen und mit einem Rührlöffel unter den Teig rühren.
- 4) Teig ca. 10 Minuten ruhen lassen.
- 5) Den Teig in die gewünschte Form, z. B. mit Hilfe von Fleischwolf, Ausstechformen oder Spritzbeutel, bringen.
- 6) Das Spritzgebäck auf das mit Backpapier ausgelegte Backblech **11** legen.
- 7) Das Spritzgebäck im vorgeheizten Backofen bei ca. 180°C Ober- und Unterhitze, ca. 10–15 Minuten auf der oberen Schiene, goldgelb backen.

### HINWEIS

Die Teigmenge reicht für mehrere Backbleche **11**.

## Brötchen

Zutaten:

- ◆ 300 g Mehl (oder Vollkornmehl)
- ◆ gut 2 Teelöffel Backpulver
- ◆ 200 g Leinsamen
- ◆ 1 Ei
- ◆ 500 g Quark
- ◆ 1 Teelöffel Salz
- ◆ je nach Geschmack Kümmel, Zwiebeln, Speck  
...

Zubereitung:

- 1) Alles gut durchkneten und kleine Brötchen daraus formen.
- 2) Die Brötchen auf das mit Backpapier ausgelegte Backblech **11** legen.
- 3) Bei ca. 200° C Oberhitze ungefähr 30 Minuten auf der oberen Schiene backen.

### HINWEIS

Die Teigmenge reicht für mehrere Backbleche **11**.



## Baiser

Zutaten:

- ◆ 1 Eiweiß
- ◆ Salz
- ◆ 45 g Zucker

Zubereitung:

- 1) Das gekühlte Eiweiß in eine fettfreie Rührschüssel geben. Es darf kein Eigelb damit vermischt werden, sonst wird der Eischnee nicht fest.
- 2) Das Eiweiß auf langsamer Stufe anschlagen, damit sich keine zu großen Blasen im Eischnee bilden.
- 3) Mit einer kleinen Prise Salz würzen.
- 4) Die Hälfte des Zuckers nach und nach zufügen, wenn der Eischnee anfängt fest zu werden.
- 5) Dann auf höchster Stufe steif schlagen.
- 6) Den restlichen Zucker zufügen. Dadurch erhält die Baisermasse die nötige Festigkeit.
- 7) Das Baiser in einen Spritzbeutel mit großer Sternentülle füllen und mit wenig Abstand Rosetten, Zungen oder sonstige Formen auf das mit Backpapier belegte Backblech **11** spritzen.
- 8) Den Grill- und Backautomaten auf ca. 100° C Umluft vorheizen.
- 9) Das Baiser auf der oberen Schiene bei ca. 100° C Umluft ca. 2 Stunden backen lassen.

## Buttercroutons

Zutaten:

- ◆ 2 Scheiben Toastbrot
- ◆ 1 EL Butter

Zubereitung:

- 1) Schneiden Sie das Toastbrot in kleine Würfel.
- 2) Schmelzen Sie die Butter bei sanfter Hitze in einem Topf und mischen Sie das Toastbrot unter.
- 3) Legen Sie ein Backblech **11** mit Backpapier aus und verteilen Sie die Toastbrot-Würfel gleichmäßig darauf.
- 4) Backen Sie die Toastbrot-Würfel bei ca. 170° C Oberhitze auf der oberen Schiene, bis Sie goldbraun sind (ca. 15 - 20 Minuten).

### HINWEIS

Sie können auch Kräuter- oder Knoblauchbutter anstatt der normalen Butter verwenden. Die Backzeit verringert sich dann um ca. 5 Minuten.

## Hackfleisch-Baguettes

Zutaten:

- ◆ 2 Baguette-Brötchen
- ◆ 250 g Hackfleisch (halb und halb)
- ◆ 2 Tomaten
- ◆ 1 Zwiebel (gewürfelt)
- ◆ 2 EL Tomatenmark
- ◆ 40 g geriebenen Parmesan
- ◆ 4 Scheiben Käse
- ◆ Salz und Pfeffer

Zubereitung:

- 1) Schneiden Sie die Baguettes auf und höhlen Sie sie aus.
- 2) Vermengen Sie das Gehackte, das Tomatenmark, die Zwiebel, den Parmesan, etwas Salz und etwas Pfeffer.
- 3) Formen Sie das Hackfleisch zu 4 gleich großen, möglichst flachen Frikadellen und legen Sie sie auf die Baguette-Hälften.
- 4) Schneiden Sie die Tomate in Scheiben und verteilen Sie sie auf den Baguettes.
- 5) Verteilen Sie den Käse auf den Baguettes.
- 6) Legen Sie die Baguettes auf ein Backblech **11** und backen Sie sie bei ca. 230°C im vorgeheizten Backofen bei Ober- und Unterhitze für ca. 20 Minuten auf der unteren Schiene.

### HINWEIS

Sie können das Hackfleisch auch mit Basilikum, Chili oder anderen Gewürzen abschmecken.

## Blumenkohl (überbacken)

Zutaten:

- ◆ 1/2 Kopf Blumenkohl (ca. 250 g)
- ◆ 3 Zitronenscheiben
- ◆ 1 EL Butter
- ◆ 1 gehäufte TL Mehl
- ◆ 1 EL Zitronensaft
- ◆ 1 EL Mandelstifte
- ◆ 2 EL Gratinkäse (gerieben)
- ◆ Salz, Pfeffer, Muskat

Zubereitung:

- 1) Teilen Sie den Blumenkohl in Röschen und waschen Sie diese.
- 2) Garen Sie den Blumenkohl mit den Zitronenscheiben in kochendem Salzwasser für 8-10 Minuten, so dass der Blumenkohl bissfest ist. Fangen Sie beim Abgießen ca. 150 ml des Kochwassers auf.
- 3) Lassen Sie in einem Topf die Butter schmelzen und schwitzen Sie das Mehl unter ständigem Rühren ca. 1 Minute an.
- 4) Gießen Sie unter ständigem Rühren das Kochwasser des Blumenkohls hinzu und lassen Sie es ca. 2 Minuten kochen. Wird die Mehlschwitze zu fest, geben Sie nach und nach noch etwas Wasser hinzu, bis eine sämige Konsistenz entsteht. Mit Zitronensaft, Salz, Pfeffer und Muskat würzen.
- 5) Geben Sie den Blumenkohl in eine Auflaufform (ca. 14 cm Durchmesser) und gießen Sie die Sauce gleichmäßig darüber.
- 6) Streuen Sie den Käse und die Mandelstifte darüber.
- 7) Stellen Sie die Auflaufform auf das Backblech **11**.
- 8) Überbacken Sie den Auflauf bei ca. 200°C im vorgeheizten Backofen bei Ober- und Unterhitze für ca. 20 Minuten auf der unteren Schiene.

## Blätterteigtaschen mit Lachsfüllung

Zutaten:

- ◆ 1 Pck. Blätterteigplatten (ca. 8 Stück)
- ◆ 1 Pck. Lachs, geräuchert, in Scheiben (ca. 200 g)
- ◆ 1 Zitrone
- ◆ 1 Zwiebel
- ◆ 1 Pck. Frischkäse (200 g)
- ◆ frischer Dill
- ◆ Salz und Pfeffer
- ◆ 1 Eigelb

Zubereitung:

- 1) Nehmen Sie die Blätterteigplatten auseinander und lassen Sie sie gegebenenfalls auftauen.
- 2) Vermischen Sie den Frischkäse mit Salz, Pfeffer und dem Saft einer Zitrone.
- 3) Schneiden Sie die Zwiebel in feine Würfel.
- 4) Geben Sie die Hälfte des Lachses und die Zwiebeln zu der Frischkäsemasse und pürieren Sie alles grob mit einem Stabmixer.
- 5) Schneiden Sie den restlichen Lachs in feine Streifen.
- 6) Geben Sie den Lachs und den Dill zu der Masse hinzu und vermischen Sie alles.
- 7) Geben Sie je einen Esslöffel mit der Masse auf eine Blätterteigplatte und klappen Sie diese zusammen.
- 8) Bestreichen Sie die entstandene Tasche mit Eigelb.
- 9) Legen Sie die Blätterteigtaschen auf das Backblech **11**. Lassen Sie genügend Abstand zwischen den einzelnen Taschen, da der Blätterteig aufgeht.
- 10) Die Blätterteigtaschen auf der unteren Schiene bei ca. 230° C Ober- und Unterhitze ca. 25-30 Minuten backen lassen. Der Blätterteig sollte sich leicht braun färben.

### HINWEIS

Die angegebene Menge reicht für mehrere Backbleche **11**.

**KOMPERNASS HANDELS GMBH**

BURGSTRASSE 21

DE-44867 BOCHUM

GERMANY

[www.kompernass.com](http://www.kompernass.com)

Last Information Update · Stand der Informationen:

04/2018 · Ident.-No.: SGBR1500C4-042018-1

IAN 303861