

# SILVERCREST®



[www.lidl-service.com](http://www.lidl-service.com)



## LI-ION RECHARGEABLE HANDHELD VACUUM CLEANER SAS 7.4 LI A2

(GB) (IE)

### LI-ION RECHARGEABLE HANDHELD VACUUM CLEANER

Operating instructions

(SE)

### HANDDAMMSUGARE MED LITIJONBATTERI

Bruksanvisning

(DE) (AT) (CH)

### LI-IONEN-AKKU-HANDSTAUBSAUGER

Bedienungsanleitung

(FI)

### LITIJONIONI-AKKUPÖLYNIMURI

Käyttöohje

(DK)

### HÅNDSTØVSUGER MED GENOPLADELIGT LI-ION-BATTERI

Betjeningsvejledning

IAN 96715

(FI) (SE) (DK)



GB IE

Before reading, unfold the page containing the illustrations and familiarise yourself with all functions of the device.

---

FI

Käännä ennen lukemista kuvallinen sivu esiin ja tutustu seuraavaksi laitteen kaikkiin toimintoihin.

---

SE

Vik ut bildsidan och ha den till hands när du läser igenom anvisningarna och gör dig bekant med apparatens / maskinens funktioner.

---

DK

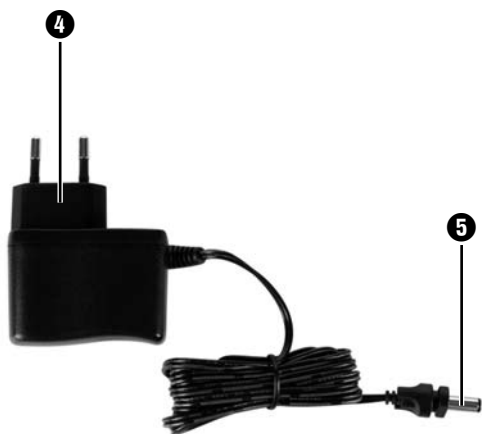
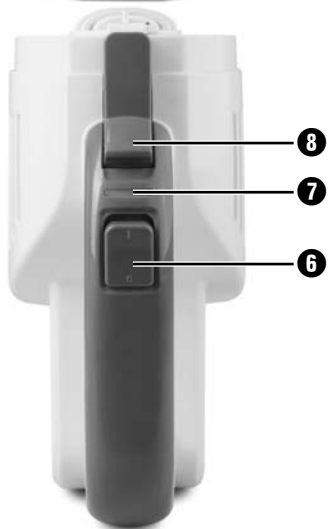
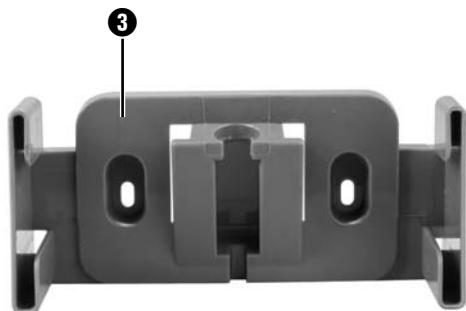
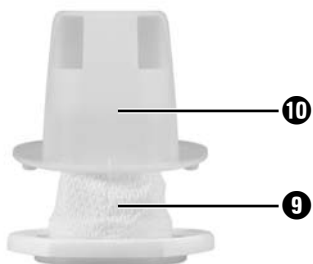
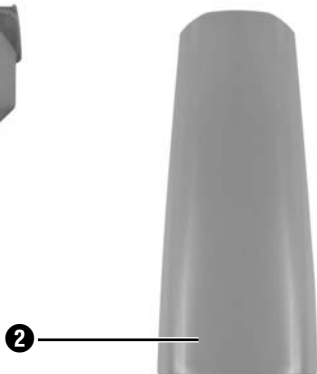
Før du læser, vend siden med billeder frem og bliv bekendt med alle apparatets funktioner.

---

DE AT CH

Klappen Sie vor dem Lesen die Seite mit den Abbildungen aus und machen Sie sich anschließend mit allen Funktionen des Gerätes vertraut.

GB/IE	Operating instructions	Page	1
FI	Käyttöohje	Sivu	11
SE	Bruksanvisning	Sidan	19
DK	Betjeningsvejledning	Side	27
DE/AT/CH	Bedienungsanleitung	Seite	35



<b>Content</b>	<b>Page</b>
Intended Usage	2
Items supplied	2
Appliance description	2
Important safety instructions	3
Technical data	5
Before taking into use	5
Information about the batteries	5
Installation of the wall holder	5
Charging	6
Operation	6
Cleaning	7
Disposal	7
Warranty and Service	8
Importer	9

# Li-Ion Rechargeable Handheld Vacuum Cleaner

---

Congratulations on the purchase of your new appliance.

You have clearly decided in favour of a quality product. These operating instructions are a part of this product. They contain important information in regard to safety, use and disposal. Before using the product, familiarise yourself with all of these operating and safety instructions. Use the product only as described and only for the specified areas of application. In addition, pass these documents on, together with the product, to any future owner.

## Intended Usage

---

This cordless hand-held vacuum cleaner may only be used to vacuum dry or wet surfaces resp. dry or wet materials and fluids. People or animals may not be vacuumed with this appliance. Any other usage of, or modification to, the appliance is deemed to be improper usage and carries the risk of serious personal injury. The manufacturer accepts no liability for damages that result from improper use of the appliance or are caused by the incorrect operation of it. The appliance is not intended for commercial use.

## Items supplied

---

Li-Ion Rechargeable Handheld Vacuum Cleaner  
Crevice nozzle  
Wet suction nozzle  
Wall holder  
Assembly material  
Power transformer  
Operating instructions

Check the items supplied directly after unpacking for completeness.

## Appliance description

---

- ❶ Wet suction nozzle
- ❷ Crevice nozzle
- ❸ Wall holder
- ❹ Power adapter
- ❺ Barrel plug
- ❻ On/Off switch
- ❼ Charge indicator lamp
- ❽ Unlocking button
- ❾ Dust filter bag
- ❿ Dust filter
- ⓫ Dirt container

### **Note:**

This appliance is supplied with non-charged batteries. The batteries must be charged for 24 hours before the first use.

## Important safety instructions

---

### **⚠ To avoid potentially fatal electric shocks:**

- Do not charge or use the appliance outdoors.
- Never use the hand vacuum cleaner if the cable, plug or casing are damaged.
- To avoid risks, arrange for damaged power cables and/or plugs to be replaced as soon as possible by a qualified specialist or by our Customer Services.
- Arrange for repairs to be carried out only by specialist workshops. Under no circumstances should you open the appliance yourself. Interferences that are not carried out by a specialist workshop could lead to physical injuries.
- Before switching the hand vacuum cleaner on, ensure that the mains voltage corresponds to the voltage indicated in the technical data for the appliance.
- Never touch the power supply or the appliance with wet or damp hands.
- Do not use the power adapter with an extension cable; connect the power adapter directly to a power socket.

### **⚠ To avoid the risk of injury:**

- Do not change any accessories while the appliance is switched on.
- Do not use the hand vacuum for vacuuming up sharp objects or glass shards.
- Never vacuum up burning matches, glowing ashes or cigarette butts.
- Do not use the hand vacuum for vacuuming up chemical products, stone dust, gypsum, cement or similar particles.
- This appliance is not suitable for use with inflammable and explosive substances or chemical and aggressive liquids.
- Always store the appliance indoors. To prevent accidents, keep the appliance in a dry location when not in use.
- Under extreme conditions, leaks in the battery cells may occur. In the event that battery fluid comes into contact with skin or eyes, the affected area must be rinsed off with water immediately. Contact a physician.

- This appliance may be used by children aged 8 over and by persons with reduced physical, sensory or mental capabilities or lack of experience and knowledge, provided that they are under supervision or have been told how to use the appliance safely and are aware of the potential risks. Children must not play with the appliance. Cleaning and user maintenance tasks may not be carried out by children unless they are supervised.

***Tips for safety:***

- Use only accessory parts recommended by the manufacturer.
- The power adapter may not be used for other purposes. Never carry the wall holder or the power adapter by the cable. Do not pull on the cable when you want to move the appliance.
- Always grip the power plug to disconnect the appliance from the power supply.
- Always be sure to keep the hand vacuum away from heating elements, ovens or other heated appliances and surfaces.
- Always make certain that the ventilation slits are open. A blocked ventilation circuit can result in overheating and damage to the appliance.
- This product contains rechargeable batteries. Do not throw the batteries into a fire and do not subject them to high temperatures. There is the risk of an explosion!
- Take special care when using the hand vacuum on stairs.
- Do not use the hand vacuum without the dust filter inserted.
- Do not use the power adapter for a different product and do not attempt to charge this appliance with a different charging station. Use only the charging station supplied with this appliance.
- Never try to recharge non-rechargeable batteries.

## Technical data

Power adapter ④	
Input voltage / - current:	100 - 240 V ~, 50/60 Hz max. 300 mA
Output voltage/ - current:	9,6 V $\equiv$ / 300 mA
Protection class:	II / $\square$
Type designation:	SAS 7.4 LI A2-1

### Appliance

Input voltage	7,4 V $\equiv$
---------------	----------------

### Batteries

Capacity:	1300 mAh
Batteries:	7,4 V (2 x 3.7 V Lithium-Ion Batteries)

## Before taking into use

- Remove all packaging materials from the appliance, particularly the protective cap over the On/Off switch ⑥.
- Place the dirt container ① onto the motor block:
  - Slide the plastic tab on the underside of the handheld vacuum cleaner into the recess in the dirt container ①.
  - Press the unlocking button ③ and slide the dirt container ① onto the motor block at the same time.
  - Let go of the unlocking button ③ so that the locking mechanism engages in the recess. The dirt container ① is now sitting securely on the motor block.

## Information about the batteries

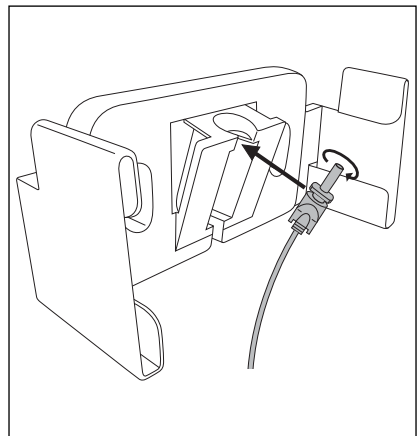
1. This hand-held vacuum cleaner is powered by rechargeable lithium-ion batteries.  
Before using the cableless hand vacuum cleaner for the first time, the batteries must be charged for at least 24 hours.
2. The batteries reach their full capacity after a charging period of 24 hours. For care of the batteries we recommend the following: after the batteries are charged, remove the power adapter ④ from the mains power socket. Reconnect the power adapter ④ again with the mains power socket when the suction power of the appliance is noticeably weaker.

## Installation of the wall holder

### **⚠ Mortal danger!**

Ensure that there are no power cables or other conduits or pipes in the wall at the location where you intend to bore the holes for the wall holder ③. It would be a potentially fatal risk to bore into a current carrying electric cable!

1. Place the barrel plug ⑤ of the power adapter ④ into the wall holder ③ as shown in the diagramme. Secure the barrel plug ⑤ by turning it.





2. Select a suitable installation location for the wall holder **3**: It should present no problem with taking the hand vacuum cleaner out of it and a mains power socket for the power adapter **4** must be accessible.
3. Bore two holes with a spacing of approx. 68 mm. Use the wall holder **3** to mark the boreholes: this will ensure the spacing is correct. The boreholes must be suitable for 5 mm wallplugs.
4. Insert the wallplugs into the boreholes and, using the screws, firmly screw the wall holder **3** to the wall.
5. You can place the nozzles on the lateral accessories holder.
6. Connect the power adapter **4** to a mains power socket.

## Charging

---

### **Note:**

Check to ensure that the on/off switch **6** has been slid back (to the position "0") before starting the charging process.

- Place the hand vacuum cleaner from above into the wall holder **3**, so that the barrel plug **5** slips into the socket on the hand vacuum cleaner. The charge indicator lamp **7** flashes red and the charging process begins.

### **Important:**

- When the hand vacuum again has enough energy to vacuum, the charge indicator lamp **7** glows green. This does not mean that the batteries are fully charged. When the charge indicator lamp **7** glows green, it means the batteries are charged to about 80%.

- When charging is complete, which with fully discharged batteries can take approx. 5 hours, the appliance automatically switches to a trickle charge (maintenance function). Nevertheless, in order to avoid possible damage to the batteries, do not leave the appliance permanently connected to the power adapter **4**.
- First recharge the batteries when the suction power of the hand vacuum cleaner is noticeably weaker and the charge indicator lamp **7** green is blinking.

### **Note:**

The hand vacuum cleaner can also be charged directly via the power adapter **4**. For this, remove the barrel plug **5** with a slight twist from the wall holder **3** and insert it into the socket on the hand vacuum cleaner.

## Operation

---

### **Warning!**

The suction opening must always be open and unblocked. Blockages lead to overheating and damage to the motor.

### **Tips:**

- Make certain that the dust filter **10** is always inserted before using the appliance.
  - As the maximum, suck up only as much liquid as will fill the dirt container **11** to the MAX mark.
1. Take the hand vacuum cleaner from the wall holder **3** or, if you do not use the wall holder **3**, remove the barrel plug **5** from the socket.
  2. If required, place the appropriate nozzle into the suction opening:
    - the crevice nozzle **2**, to clean narrow and difficult to reach locations.
    - the wet suction nozzle **1** to vacuum liquids up.

### **Note:**

After you have vacuumed up liquids, immediately clean the dirt container ①. Otherwise bacteria and microbes could form in it! Ensure that the dust filter bag ⑨ is completely dry before using the appliance again.

3. To switch the appliance on, slide the on/off switch ⑥ forwards. The charge indicator lamp ⑦ lights up green.
4. When you have finished using it, slide the on/off switch ⑥ to the rear.

### **Note:**

Place the hand vacuum cleaner into the wall holder ④ and start the charging process when the suction power is noticeably weaker and the charge indicator lamps ⑦ green is blinking.

## Cleaning

---

To achieve the best results, empty the dirt container ① and clean the dust filter ⑩ after every use.

### **Important:**

Do not use aggressive, chemical or abrasive cleaning agents. These could damage the surfaces of the appliance.

1. To open the dirt container ①, press the unlocking button ⑧ and remove the dirt container ①.
2. Remove the dust filter ⑩ from the dirt container ①.
3. Empty the dirt container ①.
4. Pull the dust filter bag ⑨ with its mounting out of the dust filter ⑩.
5. Rinse the dust filter bag ⑨ in cold water and then wait until it is completely dry again before you place it back into the dust filter ⑩. Do not dry it with hot air.

6. Place the dust filter ⑩ back into the dirt container ①. Ensure that the dust filter ⑩ is seated squarely and that the rubber lip seals the dirt container ①.
7. Replace the dirt container ① back onto the motor block:
  - Push the plastic nose on the underside of the hand vacuum cleaner into the recess on the dirt container ①.
  - Press the unlocking button ⑧ and, at the same time, slide the dirt container ① onto the motor block.
  - Release the unlocking button ⑧ so that the restraint grips into the recess. The dirt container ① now sits firmly on the motor block.
8. Clean the housing and both nozzles with a lightly moistened cloth. For stubborn soiling use a mild detergent on the cloth.
9. Dry all parts thoroughly before reusing the appliance or putting it into storage.

## Disposal

---

The appliance and the batteries must be disposed of separately.

### Disposal of the device



**Do not dispose of this appliance in your normal domestic waste. This product is subject to the provisions of European Directive 2012/19/EU.**

Dispose of the appliance through an approved disposal centre or at your community waste facility. Observe the currently applicable regulations. In a case of doubt, please contact your waste disposal centre.

## Disposal of batteries/cells



Used batteries/cells may not be disposed of in house-hold waste. Every consumer is statutorily obliged to dispose of batteries at a collection site of his community/city district or at a retail store.

The purpose of this obligation is to ensure that batteries are disposed of in a non-polluting manner. Only dispose of batteries/cells when they are fully discharged.

To dispose of the appliance in an environmentally friendly manner you must remove the battery from the appliance.

### **⚠ Risk of electric shock!**

Disconnect the appliance from the mains power supply when you remove the battery!

### **⚠ Attention! Damage to property!**

Remove the battery from the appliance **ONLY** if you want to scrap/dispose of the appliance! The appliance is permanently defective after you have removed the battery!

1. Remove the dirt container **11** from the motor unit.
2. Undo the 4 cross-head screws on the side of the motor unit and the cross-head screw on the round grill on the motor unit.
3. You can now dismantle the motor unit.
4. Snip the 3 cables connecting the printed circuit board to the blue battery pack. You can now remove the battery.
5. Dispose of the battery in an environmentally friendly manner. Please observe the currently applicable regulations. Please contact your waste disposal centre if you are in any doubt.



Dispose of all packaging materials in an environmentally friendly manner.

## Warranty and Service

---

The warranty for this appliance is for 3 years from the date of purchase. The appliance has been manufactured with care and meticulously examined before delivery.

Please retain your receipt as proof of purchase. In the event of a warranty claim, please make contact by telephone with our Service Department. Only in this way can a post-free despatch for your goods be assured.

The warranty covers only claims for material and manufacturing defects, but not for transport damage, for wearing parts or for damage to fragile components, e.g. buttons or batteries. This product is for private use only and is not intended for commercial use.

The warranty is void in the case of abusive and improper handling, use of force and internal tampering not carried out by our authorized service branch. Your statutory rights are not restricted in any way by this warranty.

The warranty period will not be extended by repairs made under warranty. This applies also to replaced and repaired parts. Any damage and defects extant on purchase must be reported immediately after unpacking the appliance, at the latest, two days after the purchase date. Repairs made after the expiration of the warranty period are subject to payment.

### **GB Service Great Britain**

Tel.: 0871 5000 720 (£ 0.10/Min.)

E-Mail: [kompernass@lidl.co.uk](mailto:kompernass@lidl.co.uk)

**IAN 96715**

### **IE Service Ireland**

Tel.: 1890 930 034

(0,08 EUR/Min., (peak))

(0,06 EUR/Min., (off peak))

E-Mail: [kompernass@lidl.ie](mailto:kompernass@lidl.ie)

**IAN 96715**

### **Hotline availability:**

Monday to Friday 08:00 - 20:00 (CET)

# Importer

---

KOMPERNASS HANDELS GMBH  
BURGSTRASSE 21  
44867 BOCHUM  
GERMANY  
[www.kompernass.com](http://www.kompernass.com)



# Sisällysluettelo

**Sivu**

<b>Määräystenmukainen käyttö</b>	<b>12</b>
<b>Toimitussisältö</b>	<b>12</b>
<b>Laitteen kuvaus</b>	<b>12</b>
<b>Tärkeitä turvaohjeita</b>	<b>13</b>
<b>Tekniset tiedot</b>	<b>15</b>
<b>Ennen ensimmäistä käyttöönottoa</b>	<b>15</b>
<b>Akkuja koskevia tietoja</b>	<b>15</b>
<b>Seinäpidikkeen asentaminen</b>	<b>15</b>
<b>Lataaminen</b>	<b>16</b>
<b>Käyttö</b>	<b>16</b>
<b>Puhdistaminen</b>	<b>17</b>
<b>Hävittäminen</b>	<b>17</b>
<b>Takuu ja huolto</b>	<b>18</b>
<b>Maahantuoja</b>	<b>18</b>

# Litiumioni- akkupölynimuri

---

Sydämellinen onnitelumme uuden laitteesi johdosta.

Olet valinnut laadukkaan tuotteen. Käyttöohje on osa tätä tuotetta. Se sisältää tärkeitä turvallisuutta, käyttöä ja hävittämistä koskevia ohjeita. Tutustu kaikkiin käyttö- ja turvaohjeisiin ennen tuotteen käyttöä. Käytä tuotetta vain kuvatulla tavalla ja vain mainittuihin käyttötarkoituksiin. Anna myös kaikki asiakirjat edelleen luovuttaessasi tuotteen eteenpäin.

## Määräystenmukainen käyttö

---

Akkupölynimuri saa käyttää vain kuivien tai märkien pitojen taikka kuivien tai märkien roskien tai nesteiden imurointiin. Rikkaimurilla ei saa imuroida ihmisiä tai eläimiä. Laitteen muu käyttö tai muuttaminen ei ole määräysten mukaista ja voi aiheuttaa huomattavan tapaturmavaaran. Valmistaja ei vastaa vahingoista, jotka aiheutuvat määräysten vastaisesta tai väärästä käytöstä.

Laitte on tarkoitettu ainoastaan kotitalouskäyttöön.

## Toimitussisältö

---

Litiumioni-akkupölynimuri

Rakosuutin

Märkäimusuutin

Seinäpidike

Asennusmateriaali

Verkkolaite

Käyttöohje

Tarkasta toimituksen täydellisyys välittömästi pakauksen avaamisen jälkeen.

## Laitteen kuvaus

---

- 1 Märkäimusuutin
- 2 Rakosuutin
- 3 Seinäpidike
- 4 Verkkolaite
- 5 Tasavirtapistoke
- 6 Virtakytkin
- 7 Latauksen merkkivalo
- 8 Avauspainike
- 9 Pölysuodatinpussi
- 10 Pölysuodatin
- 11 Likasäiliö

### Ohje:

Laitte toimitetaan akut lataamattomina. Akkuja on ladattava 24 tuntia ennen laitteen ensimmäistä käyttökertaa.

## Tärkeitä turvaohjeita

---

### **⚠ Hengenvaarallisen sähköiskun välttämiseksi:**

- Älä lataa tai käytä laitetta ulkotiloissa.
- Älä käytä rikkaimuria, jos johto, pistoke tai kotelo on vaurioitunut.
- Anna valtuutetun ammattihenkilöstön vaihtaa vaurioitunut verkkojohto tai verkkopistoke välittömästi uuteen vaarojen välttämiseksi.
- Anna korjaukset ainoastaan alan ammattikorjaamon tehtäväksi. Älä missään tapauksessa avaa laitteen koteloa itse. Muut kuin alan yrityksen suorittamat korjaukset voivat johtaa loukkaantumisiin.
- Tarkista ennen laitteen käynnistämistä, että verkkojännite vastaa laitteen teknisiin tietoihin kirjattua jännitettä.
- Älä tartu verkkolaitteeseen tai laitteeseen, jos kätesi ovat märät.
- Älä käytä verkkolaitetta jatkojohdon kanssa. Liitä verkkolaite suoraan pistorasiaan.

### **⚠ Loukkaantumisvaaran välttämiseksi:**

- Älä vaihda lisälaitteita, kun laite on käynnissä.
- Älä imuroi rikkaimurilla teräviä roskia tai lasins-iruja.
- Älä koskaan imuroi palavia tulitikkuja, hehkuvaa tuhkaa tai tupakantumpeja.
- Älä imuroi rikkaimurilla kemiallisia tuotteita, kivi-lyä, kipsiä, sementtiä tai muita vastaavia aineita.
- Laite ei sovellu syttyvien tai räjähtävien aineiden taikka kemiallisten ja aggressiivisten nesteiden imuroimiseen.
- Säilytä laitetta aina sisätiloissa. Vältä tapaturmia säilyttämällä laitetta käytön jälkeen kuivassa paikassa.
- Ääriolosuhteissa akkupesässä saattaa esiintyä vuotoja. Jos vuotava neste pääsee kosketuksiin ihon tai silmien kanssa, kyseinen kohta on huuhdeltava välittömästi puhtaalla vedellä. Hakeudu lääkäriin.



- Kahdeksan vuotta täyttäneet lapset sekä henkilöt, joiden fyysiset, aistimukselliset tai henkiset kyvyt ovat rajalliset, tai joilla ei ole riittävää kokemusta tai tietoa laitteen käytöstä, saavat käyttää laitetta vain valvonnan alaisena, tai jos heitä on opastettu laitteen turvalliseen käyttöön, ja he ovat ymmärtäneet laitteen käyttöön liittyvät vaarat. Lapset eivät saa leikkiä laitteella. Lapset eivät saa suorittaa puhdistusta ja käyttäjähuoltoa ilman valvontaa.

### ***Näin toimit turvallisesti:***

- Käytä ainoastaan valmistajan hyväksymiä lisäosia.
- Verkkolaitetta ei saa käyttää muihin tarkoituksiin. Älä koskaan kannan seinäpidikettä tai verkkolaitetta virtajohdosta. Älä siirrä laitetta vetämällä sitä johdosta.
- Irrota laite virtalähteestä aina pistokkeesta vetämällä.
- Varmista, että rikkaimuria ei aseteta suoraan lämmityslaitteen, uunien tai muiden kuumien laitteiden tai pintojen päälle.
- Varmista, että tuuletusaukkoja ei peitetä. Jos tuuletusaukot on peitetty, laite saattaa ylikuumeta ja vaurioitua.
- Tämä tuote sisältää ladattavat akut. Älä heitä akkuja tuleen äläkä altista niitä korkeille lämpötiloille.  
Räjähdysvaara!
- Ole varovainen, kun käytät rikkaimuria portaissa.
- Älä käytä rikkaimuria ilman pölysuodatinta.
- Älä käytä verkkolaitetta muissa tuotteissa, äläkä yritä ladata laitetta toisessa latauslaitteessa.  
Käytä vain tämän laitteen mukana toimitettua verkkolaitetta.
- Älä milloinkaan yritä **ladata ei- uudelleenladattavia** akkuja.

## Tekniset tiedot

### Verkkolaite 4

Tulojännite/

-virta: 100 - 240 V ~, 50/60 Hz  
max. 300 mA

Lähtöjännite/

-virta: 9,6 V === / 300 mA

Suojausluokka: II/□

Tyypimerkintä: SAS 7.4 LI A2-1

### Laite

Tulojännite 7,4 V ===

### Akut

Kapasiteetti: 1300 mAh

Akku: 7,4 V  
(2 x 3,7 V Litium-ioni-akku)

## Ennen ensimmäistä käyttöönottoa

- Poista kaikki pakkausmateriaalit tuotteesta, erityisesti virtakytkimen 6 päällä oleva suojus.
- Aseta likasäiliö 11 moottorilohkolle:
  - Työnnä rikkaimurin pohjassa oleva muovinen nokka likasäiliön 11 syvennykseen.
  - Paina lukituksen avauspainiketta 8 ja työnnä samanaikaisesti likasäiliö 11 moottorilohkolle.
  - Vapauta lukituksen vapautuspainike 8 niin, että lukitus osuu syvennykseen. Likasäiliö 11 on nyt tiiviisti moottorilohkolla.

## Akkuja koskevia tietoja

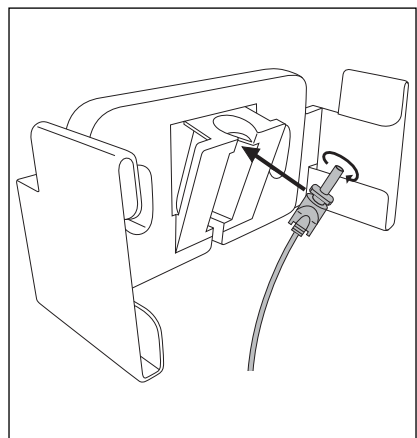
1. Käsirikkaimuria käytetään uudelleenladattavilla litium-ioni-akuilla.  
Akkuja on ladattava vähintään 24 tuntia ennen rikkaimurin ensimmäistä käyttökertaa.
2. Akut saavuttavat täyden kapasiteettinsa 24 tunnin latausajan jälkeen. Suosittelemme akkujen hoitamiseksi seuraavaa: Irrota verkkolaite 4 verkkopistorasiasta akkujen lataamisen jälkeen. Liitä verkkolaite 4 verkkopistorasiaan uudelleen vasta, kun laitteen imuteho heikkenee huomattavasti.

## Seinäpidikkeen asentaminen

### ⚠ Hengenvaara!

Varmista, ettei seinässä, johon haluat porata reiät seinäpidikettä 3 varten, kulje sähköjohtoja tai muita johtoja tai putkia. On olemassa hengenvaara, jos poraat virtaa johtavaan johtoon!

1. Aseta verkkolaitteen 4 tasavirtapistoke 5 seinäpidikkeeseen 3 seuraavassa kuvassa esitetyllä tavalla. Kiinnitä tasavirtapistoke 5 kiertämällä sitä.



- Etsi seinäpidikkeelle **3** sopiva asennuspaikka: Rikkaimuri tulee voida ottaa pidikkeestä helposti ja virtapistorasian on oltava lähellä verkkolaitetta **4** varten.
- Poraa seinään kaksi reikää n. 68 mm:n etäisyydelle toisistaan. Käytä seinätelinettä **3** reikien piirtämiseen: Näin etäisyys on laskettu oikein. Reiät on porattava 5 mm:n tulpille sopiviksi.
- Työnnä tulpat reikiin ja ruuvaa seinäpidike **3** kiinni ruuvien avulla.
- Voit työntää suuttimet sivussa olevaan tarvidepidikkeeseen.
- Kytke verkkolaite **4** pistorasiaan.

- Jos lataustapahtuma on lopetettu, mikä voi kestää täysin purkautuneilla akuilla n. 5 tuntia, laite kytkee automaattisesti kunnossapitovaraukseen (hoitotoiminto). Älä kuitenkaan jätä laitetta jatkuvasti verkkolaitteeseen **4** liitettynä, jotta mahdolliset akkujen vauriot vältettäisiin.
- Lataa akut uudelleen vasta, kun käsirikkaimurin imuteho tiulee havaittavasti heikommaksi ja latauksen merkkivalo **7** vilkkuu vihreänä.

### **i Ohje:**

Rikkaimuri voidaan ladata myös suoraan verkkolaitteella **4**. Irrota sitä varten tasavirtapistoke **5** seinäpidikkeestä **3** kevyesti kiertäen ja liitä se rikkaimurin holkkiin.

## Lataaminen

### **i Ohje:**

Varmista, että virtakytkin **6** on työnnetty taaksepäin (asento "0"), ennen kuin aloitat lataamisen.

- Aseta käsirikkaimuri ylhäältä seinäpidikkeeseen **3** niin, että tasavirtapistoke **5** liukuu rikkaimurin holkkiin. Latauksen merkkivalo **7** vilkkuu punaisena ja lataustapahtuma alkaa.

### **⚠ Tärkeää:**

- Kun rikkaimurissa on jälleen riittävästi energiaa imemiseen, latauksen merkkivalo **7** palaa vihreänä. Tämä ei tarkoita sitä, että akut on ladattu täyteen. Kun latauksen merkkivalo **7** syttyy palamaan vihreänä, akut on ladattu n. 80 %.

## Käyttö

### **⚠ Huomio**

Imuaukkoa ei saa missään tapauksessa peittää eikä tukkia. Tukokset johtavat moottorin ylikuumenemiseen ja vaurioitumiseen.

### **i Ohjeita:**

- Varmista, että pölysuodatin **10** on asennettu, ennen kuin käytät laitetta.
  - Ime korkeintaan niin paljon nestettä, että likasäiliö **11** on täynnä MAX-merkintään asti.
- Ota rikkaimuri seinäpidikkeestä **3**, tai jos et käytä seinäpidikettä **3**, vedä tasavirtapistoke **5** holkisista.
  - Aseta halutessasi imuaukkoon sopiva suutin:
    - rakosuutin **2** ahtaiden, vaikeapääsyisten paikkojen puhdistamiseen.
    - märkäimusuutin **1** nesteiden imuroimiseen.

## **i Ohje:**

Puhdista likasäiliö välittömästi nesteiden imuroinnin jälkeen **11**. Muuten muodostuu bakteereita ja taudinsiemeniä! Varmista, että pölysuodatin **9** on asennettu, ennen kuin käytät laitetta.

3. Kytke laite päälle työntämällä virtakytkin **6** eteen. Latauksen merkkivalo **7** välähtää vihreänä.
4. Työnnä virtakytkin **6** käytön jälkeen taakse.

## **i Ohje:**

Aseta käsirikkamuri seinäpidikkeeseen **3** ja aloita lataustapahtumalla, kun imuteho heikkenee havaittavasti ja latauksen merkkivalo **7** vilkkuu vihreänä.

## Puhdistaminen

Parhaimpiin tuloksiin päästään, kun likasäiliö **11** tyhjenetään ja pölysuodatin **10** puhdistetaan jokaisen käyttökerran jälkeen.

### **⚠ Tärkeää:**

Älä käytä mitään aggressiivisia, kemiallisia tai hankaavia puhdistusaineita. Nämä vaurioittavat laitteen pintaa.

1. Avaa likasäiliö **11** painamalla lukituksen avauspainiketta **8** ja irrottamalla likasäiliö **11**.
2. Ota pölysuodatin **10** likasäiliöstä **11**.
3. Tyhjennä likasäiliö **11**.
4. Vedä pölysuodattimen pussi **9** pidikkeineen pois pölysuodattimesta **10**.
5. Huuhtelee pölysuodattimen pussi **9** kylmässä vedessä ja odota, kunnes se on jälleen täysin kuiva, ennen kuin asetat sen takaisin pölysuodattimeen **10**. Älä kuivaa sitä kuumalla ilmalla.

6. Aseta pölysuodatin **10** jälleen takaisin likasäiliöön **11**. Varmista, että pölysuodatin **10** on suorassa ja kumihuuli sulkee likasäiliön **11**.
7. Aseta likasäiliö **11** jälleen moottorilohkolle:
  - Työnnä rikkaimuri alapinnalla oleva muovinokka likasäiliön **11** syvennykseen.
  - Paina lukituksen vapautuspainiketta **8** ja työnnä samanaikaisesti likasäiliö **11** moottorilohkolle.
  - Vapauta lukituksen vapautuspainike **8** niin, että lukitus osuu syvennykseen. Likasäiliö **11** on nyt tiiviisti moottorilohkolla.
8. Puhdista kotelo ja molemmat suuttimet kevyesti kostutetulla liinalla. Jos lika on kovapintaista, lisää liinaan mietoa puhdistusainetta.
9. Kuivaa kaikki osat hyvin, ennen kuin käytät laitetta uudelleen tai laitat sen pois.

## Hävittäminen

Laitte ja akku täytyy hävittää toisistaan erotettuina.

### Laitteen hävittäminen



**Älä hävitä laitetta tavallisen talousjätteen mukana. Tämä tuote on eurooppalaisen direktiivin 2012/19/EU alainen.**

Anna laite hyväksytyyn jätehuoltoyrityksen tai kunnallisen jätelaitoksen hävitettäväksi. Noudata voimassa olevia määräyksiä. Epäselvissä tilanteissa ota yhteyttä paikalliseen jätehuoltoviranomaiseen.

## Paristojen/akkujen hävittäminen



Paristoja/akkuja ei saa hävittää kotitalousjätteiden seassa. Jokaisella käyttäjällä on lakisäiteinen velvollisuus luovuttaa paristot/akut kuntansa/kaupungin-osansa tai kaupan keräilypisteeseen.

Näin varmistetaan, että paristot/akut hävitetään ympäristöystävällisellä tavalla. Palauta paristot/akut ainoastaan purkautuneina.


Hävitä laite ympäristöystävällisesti poistamalla akku laitteesta.

### **Sähköiskun vaara!**

Irrota laite sähköverkosta irrottaessasi akkua!

### **Huomio! Aineelliset vahingot!**

Poista akku laitteesta vain, jos haluat hävittää/romuttaa laitteen! Laite on viallinen, kun akku on irrotettu laitteesta!

1. Irrota likasäiliö  moottorilohkosta.
2. Irrota 4 moottorilohkon sivussa olevaa ristipääruuvia sekä moottorilohkon pyöreässä riitilässä oleva ristipääruuvi.
3. Voit nyt ottaa moottorilohkon osiinsa.
4. Katkaise 3 kaapelia, jotka yhdistävät piirilevyn ja sinisellä kuorella päällystetyn akun. Nyt voit irrottaa akun.
5. Hävitä akku ympäristöystävällisellä tavalla. Noudata voimassa olevia määräyksiä. Ota epäselvissä tapauksissa yhteyttä paikalliseen jätehuoltolaitokseen.



Hävitä kaikki pakkausmateriaalit ympäristöystävällisellä tavalla.

## Takuu ja huolto

Laitteen takuu on 3 vuotta ostopäivästä. Laite on valmistettu huolellisesti ja tarkistettu tarkasti ennen toimitusta. Säilytä ostokuitti todisteeksi takuun voimassaolosta.

Ota takuutapauksessa puhelimitse yhteyttä huoltopisteeseesi. Vain näin voidaan taata tuotteesi maksuton lähettäminen huoltoon.

Takuu koskee ainoastaan materiaali- ja valmistusvirheitä, ei kuitenkaan kuljetusvaurioita, kuluvia osia tai herkästi vaurioituvien osien, esim. kytkinten tai akkujen vaurioita. Tuote on tarkoitettu ainoastaan yksityiseen, ei kaupalliseen käyttöön.

Väärä tai asiaton käyttö, väkivallan käyttö ja muiden kuin valtuutetun huoltopisteen suorittamat korjaukset aiheuttavat takuun raukeamisen. Tämä takuu ei rajoita kuluttajan lakisäiteisiä oikeuksia.

Takuukorjaus ei pidennä takuu-aikaa. Tämä koskee myös vaihdettuja ja korjattuja osia. Mahdollisista jo ostettaessa olemassa olevista vahingoista ja puutteista on ilmoitettava välittömästi pakkauksesta purkamisen jälkeen, kuitenkin viimeistään kaksi päivää ostopäiväyksen jälkeen. Takuuajan jälkeen suoritettujen korjaukset ovat maksullisia.

### **Huolto Suomi**

Tel.: 010309 3582

E-Mail: [kompernass@lidl.fi](mailto:kompernass@lidl.fi)

**IAN 96715**

### **Palvelupuhelin:**

Maanantaista perjantaihin klo 8:00 – 20:00 (CET)

## Maahantuoja

KOMPERNASS HANDELS GMBH  
BURGSTRASSE 21  
44867 BOCHUM  
GERMANY  
[www.kompernass.com](http://www.kompernass.com)

<b>Innehållsförteckning</b>	<b>Sidan</b>
Föreskriven användning	20
Leveransens innehåll	20
Beskrivning	20
Viktiga säkerhetsanvisningar	21
Tekniska data	23
Förberedelser	23
Information om de uppladdningsbara batterierna	23
Montera väggållare	23
Uppladdning	24
Användning	24
Rengöring	25
Kassering	25
Garanti och service	26
Importör	26

# Handdammsugare med litiumjonbatteri

---

Ett stort grattis till din nyinköpta produkt.

Du har valt en produkt med hög kvalitet. Bruksanvisningen ingår som en del i leveransen. Den innehåller viktiga anvisningar för säkerhet, användning och kaserings. Läs noga igenom alla användar- och säkerhetsanvisningar innan du tar produkten i bruk.

Använd endast produkten enligt beskrivningarna och i de syften som anges här. Lämna över all dokumentation tillsammans med produkten om du överläter den till någon annan person.

## Föreskriven användning

---

Den här batteridrivna dammsugaren får endast användas för våt och torr rengöring av golv och andra ytor samt för att suga upp våta föremål eller vätskor. Människor eller djur får inte dammsugas med den här apparaten. Alla övriga användningsätt och förändringar på apparaten ligger utanför gränserna för den föreskrivna användningen och innebär avsevärda risker. Tillverkaren ansvarar inte för skador som uppstår på grund av felaktig eller otillåten användning.

Apparaten är inte avsedd för yrkesmässigt bruk.

## Leveransens innehåll

---

Handdammsugare med litiumjonbatteri

Fogmunstycke

Våtmunstycke

Vägghållare

Monteringsmaterial

Nätdel

Bruksanvisning

Kontrollera att leveransen är komplett så snart du packat upp produkten.

## Beskrivning

---

- 1 Våtmunstycke
- 2 Fogmunstycke
- 3 Vägghållare
- 4 Nätdel
- 5 Ihålig kontakt
- 6 På/Av-knapp
- 7 Laddningslampa
- 8 Öppna-knapp
- 9 Dammfilterpåse
- 10 Dammfilter
- 11 Smutsbehållare

### **Observera:**

Batterierna i apparaten är inte uppladdade vid leveransen. Innan du kan börja använda dammsugaren måste batterierna laddas upp i 24 timmar.

## Viktiga säkerhetsanvisningar

---

### **⚠ För att undvika livsfarliga elchocker:**

- Ladda resp. använd inte den här dammsugaren utomhus.
- Använd aldrig handdammsugaren om kabeln, stickkontakten eller höljet är skadade.
- Låt omedelbart auktoriserad fackpersonal byta ut skadade kontakter eller kablar för att undvika olyckor.
- Låt endast en fackverkstad utföra reparationer på apparaten. Du får absolut inte själv öppna apparatens hölje. Ingrepp som inte utförs av auktoriserad personal kan orsaka personskador.
- Kontrollera att den spänning som anges under de tekniska data överensstämmer med nätspänningen innan du kopplar på apparaten.
- Ta inte i nätdelen eller apparaten med våta eller fuktiga händer.
- Använd inte nätdelen med förlängningsladd, utan anslut den direkt till ett vägguttag.

### **⚠ För att undvika personskador:**

- Byt inte tillbehör när apparaten är påkopplad.
- Använd inte handdammsugaren till att suga upp vassa föremål eller glasskärvor.
- Sug aldrig upp brinnande tändstickor, glödande aska eller cigarettfimpar.
- Använd inte handdammsugaren till att suga upp kemiska produkter, stenmjöl, gips, cement eller andra liknande partiklar.
- Den här apparaten får inte användas för att suga upp brännbara och explosiva ämnen eller starka och kemiska vätskor.
- Förvara alltid handdammsugaren i ett stängt utrymme. För att förhindra olyckor ska du alltid ställa undan den på en torr plats efter användningen.
- Vid extrema förhållanden kan battericellerna läcka. Om batterisyran kommer i kontakt med hud eller ögon ska man omedelbart skölja det drabbade stället grundligt med rent vatten. Uppsök sedan en läkare.



- Den här produkten kan användas av barn som är minst 8 år och av personer med begränsad fysisk, sensorisk eller mental förmåga eller bristande erfarenhet och/eller kunskap om de hålls under uppsikt eller har instruerats i hur produkten används på ett säkert sätt och inser vilka risker det innebär. Barn får inte leka med produkten. Rengöring och allmän service får bara göras av barn om någon vuxen håller uppsikt.

### ***Så här gör du för att vara säker:***


- Använd endast de tillbehör som rekommenderas av tillverkaren.
- Nätdelen får endast användas tillsammans med den här apparaten. Bär aldrig väggställaren eller nätdelen i kabeln. Dra inte i kabeln när du vill flytta apparaten.
- Håll alltid i kontakten när du ska dra ut den ur uttaget (inte i kabeln).
- Placera aldrig handdammsugaren bredvid värmeelement, bakugnar eller andra varma apparater eller ytor.
- Håll alltid ventilationsspringorna fria. Om luftcirkulationen blockeras kan följden bli överhettning och skador på apparaten.
- Den här produkten innehåller uppladdningsbara batterier. Kasta inte batterierna i eld och utsätt dem inte för höga temperaturer. Risk för explosion!
- Var särskilt försiktig när du använder handdammsugaren i trappor.
- Använd inte handdammsugaren utan dammfilter.
- Använd inte nätdelen till någon annan produkt och försök inte att ladda handdammsugaren i en annan laddningsstation. Använd bara apparaten tillsammans med medföljande nätdel.
- Försök aldrig ladda upp **batterier** som inte är uppladdningsbara.

## Tekniska data

### Nätdel ④

Ingångsspänning/  
ström: 100 - 240 V ~, 50/60 Hz  
max. 300 mA

Utgångsspänning/  
ström: 9,6 V === / 300 mA

Skyddsklass : II /   
Typbeteckning: SAS 7.4 LI A2-1

### Produkt

Ingångsspänning 7,4 V ===

### Batterier

Kapacitet: 1300 mAh  
Batteri: 7,4V  
(2 st. 3,7 V uppladdningsbara  
litiumjonbatterier)

## Förberedelser

- Ta bort allt förpackningsmaterial från produkten, speciellt skyddskåpan över På/Av-knappen ⑥.
- Sätt smutsbehållaren ① på motorblocket:
  - Se till så att plasttappen på handdammsugarens undersida hamnar i öppningen på smutsbehållaren ①.
  - Tryck på öppna-knappen ⑧ och sätt smutsbehållaren ① på motorblocket.
  - Släpp öppna-knappen ⑧ så att låsmekanismen griper tag i öppningen. Nu sitter smutsbehållaren ① fast på motorblocket.

## Information om de uppladdningsbara batterierna

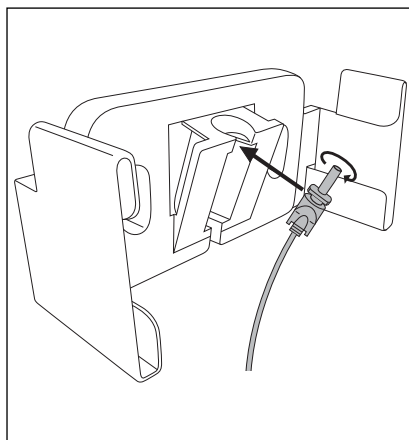
1. Den här dammsugaren drivs med uppladdningsbara litiumjonbatterier.  
Innan du kan börja använda den måste batterierna laddas upp under minst 24 timmar.
2. Batterierna uppnår sin fulla kapacitet efter 24 timmars laddning. För att underhålla batterierna rekommenderas följande: Dra ut nätdelen ④ ur uttaget när batterierna är uppladdade. Sätt inte tillbaka nätdelen ④ i uttaget igen förrän du märker att sugeffekten avtar.

## Montera vägghållare

### Livsfara!

Försäkra dig om att det inte finns några strömledningar, andra ledningar eller rör i väggen där du ska borra hålen till vägghållaren ③. Det är livsfarligt att borra i strömförande ledningar!

1. Sätt nätdelens ④ ihåliga kontakt ⑤ i vägghållaren ③ så som visas på bilden nedan. Fixera ihåliga kontakten ⑤ genom att skruva på den.



2. Leta upp ett lämpligt ställe att sätta vägghållaren **3** på: Det måste gå lätt att dra ut handdammsugaren ur den och det måste finnas ett uttag för nätdelen **4** inom räckhåll.
3. Borra två hål med ett avstånd på ca 68 mm. Använd vägghållaren **3** som mall för att märka ut för hålen, då kan du inte mäta fel. Hålen måste passa till 5 mm-pluggarna.
4. Stick in pluggarna i hålen och skruva fast vägghållaren **3** med skruvarna.
5. Munstyckena kan sättas i hållarna på sidorna.
6. Sätt nätdelen **4** i ett eluttag.

- När laddningen är färdig, vilket kan ta ca 5 timmar om batterierna är helt urladdade, går produkten automatiskt över till underhållsladdning (underhållsfunktion). Låt ändå inte produkten vara ansluten till nätdelen **4** hela tiden för att undvika eventuella skador på batterierna.
- Ladda inte upp batterierna förrän du märker att sugeffekten blir betydligt sämre och laddningslampan **7** blinkar grönt.

### **i** **Observera:**

Handdammsugaren kan också laddas upp direkt genom nätdelen **4**. Då tar du ut den ihåliga kontakten **5** ur vägghållaren **3** genom att vrida lätt och sticker in den i uttaget på dammsugaren i stället.

## Uppladdning

---

### **i** **Observera:**

Försäkra dig om att På/Av-knappen **6** står i det bakre läget (0) innan du börjar ladda.

- Sätt dammsugaren uppifrån i vägghållaren **3** så att den ihåliga kontakten **5** glider in i uttaget på dammsugaren. Laddningslampan **7** börjar blinka rött och laddningsprocessen startar.

### **A** **Viktigt:**

- När handdammsugaren har tillräckligt med energi för att orka suga igen lyser laddningslampan **7** grönt. Det betyder inte att batterierna är fullt uppladdade. När laddningslampan **7** börjar lysa grönt är batterierna laddade till ca 80 %.

## Användning

---

### **A** **Akta!**

Sugöppningen måste alltid vara fri från föremål och får inte blockeras. Om det är stopp i den blir handdammsugaren överhettad och motorn skadas.

### **i** **Observera:**

- Kontrollera alltid att dammfiltret **10** sitter på plats innan du använder apparaten.
- Sug max upp så mycket vätska att smutsbehållaren **11** fylls upp till MAX-markeringen.

1. Ta ner dammsugaren från vägghållaren **3**. Om du inte använder vägghållaren **3** drar du ut den ihåliga kontakten **5** ur uttaget.
2. Sätt ett lämpligt munstycke i sugöppningen om du vill:
  - fogmunstycket **2** för att rengöra trånga, svåråtkomliga ställen.
  - våtmunstycket **1** för att suga upp vätska.

### **i Observerva:**

Rengör genast smutsbehållaren **11** om du sugit upp vätska med dammsugaren. Annars bildas bakterier och sporer! Kontrollera att dammfilterpåsen **9** är helt torr innan du använder dammsugaren igen.

3. För På/Av-knappen **6** framåt för att sätta på produkten. Laddningslampan **7** börjar lysa grönt.
4. För På/AV-knappen **6** bakåt för att stänga av produkten.

### **i Observerva:**

Sätt dammsugaren i vägghållaren **4** och börja ladda när du märker att sugeffekten avtar och laddningslampan **7** börjar blinka grönt.

## Rengöring

För att få bäst resultat bör man tömma smutsbehållaren **11** och rengöra dammfiltret **10** efter varje användning.

### **⚠ Viktigt:**

Använd inte starka, kemiska eller slipande rengöringsmedel. Då förstörs apparatens yta.

1. För att öppna smutsbehållaren **11** trycker du på öppna-knappen **8** och tar ut smutsbehållaren **11**.
2. Ta ut dammfiltret **10** ur smutsbehållaren **11**.
3. Töm smutsbehållaren **11**.
4. Dra ut filterpåsen **9** med sin hållare ur dammfiltret **10**.
5. Skölj filterpåsen **9** i kallt vatten och vänta tills den är helt torr innan du sätter in den i dammfiltret **10** igen. Torka den inte med varmluft.

6. Sätt tillbaka dammfiltret **10** i smutsbehållaren **11**. Se till att filtret **10** sitter rakt och att smutsbehållarens **11** gummilist sluter tätt.
7. Sätt tillbaka smutsbehållaren **11** på motorblocket:
  - För in plastnäsan på dammsugarens undersida i öppningen på smutsbehållaren **11**.
  - Tryck på Öppna-knappen **8** och skjut samtidigt smutsbehållaren **11** på motorblocket.
  - Släpp knappen **8** så att låsmekanismen griper tag i öppningen. Nu sitter smutsbehållaren **11** fast på motorblocket.
8. Rengör höljet och de båda munstyckena med en något fuktig trasa. Envis smuts tar du bort med några droppar mildt diskmedel på trasan.
9. Torka av alla delar noga innan du använder apparaten igen eller ställer undan den.

## Kassering

Produkten och batterierna måste kasseras separat.

### Återvinning av produkten



**Apparaten får absolut inte kastas bland hushållssoporna. Produkten faller under EU-direktiv 2012/19/EU.**

Lämna in den till ett företag som har tillstånd att ta hand om kasserade apparater av den här typen eller till rätt återvinningsstation på din kommuns avfallsanläggning.  
Följ gällande föreskrifter.  
Om du är tveksam ska du fråga den lokala avfallshanteringsmyndigheten.

## Kassera batterier



Vanliga batterier och uppladdningsbara batterier får inte kastas bland hushållsso-porna. Den som använder någon typ av batterier är skyldig enligt lag att lämna in dem till ett insamlingsställe i sin kommun eller stadsdel eller lämna tillbaka dem till återförsäljaren.

Den här bestämmelsen är till för att batterier ska kunna kasseras utan att skada miljön. Lämna bara in urladdade batterier för återvinning/destruktion.


Du måste ta ut batteriet för att kassera produkten på ett miljövänligt sätt.

### **Risk för elchock!**

Bryt strömtillförseln när du tar ut batteriet!

### **Akta! Risk för materialskador!**

Ta bara ut batteriet ur produkten när den ska kasseras! Produkten blir defekt när batteriet tas ut!

1. Ta bort smutsbehållaren  från motorblocket.
2. Lossa de 4 stjärnskruvarna på sidan av motorblocket och stjärnskruven på motorblockets rundagaller.
3. Sedan kan motorblocket tas isär.
4. Knipsa av de 3 kablarna som förbinder kretskortet med det blåmantlade batteriet. Sedan kan du ta bort batteriet.
5. Kassera batteriet på miljövänligt sätt. Följ gällande föreskrifter. Kontakta din avfallsanläggning om du har några frågor.



Lämna in allt förpackningsmaterial till miljövänlig återvinning.

## Garanti och service

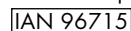
För den här apparaten lämnar vi tre års garanti från och med inköpsdatum. Den här apparaten har tillverkats med omsorg och genomgått en noggrann kontroll innan leveransen.

Var god bevara kassakvittot som köpbevis. Vi ber dig att kontakta ditt serviceställe per telefon vid gar-  
antifall. Endast då kan produkten skickas in fraktfritt. Garantin gäller bara för bara för material- eller fa-  
brikationsfel, den täcker inte transportskador, förslit-  
ningsdelar eller skador på ömtåliga delar som t ex  
brytare och batterier. Produkten är endast avsedd  
för privat bruk och får inte användas yrkesmässigt.  
Vid missbruk och felaktig behandling, användande  
av våld och vid ingrepp som inte gjorts av vår auktori-  
serade servicefilial upphör garantin att gälla. Den lag-  
stadgade garantin begränsas inte av denna garanti.  
Garantitiden förlängs inte för att man utnyttjar gar-  
antiförmånerna. Det gäller även för utbyta eller re-  
parerade delar. Eventuella skador och brister som  
upptäcks redan vid köpet måste anmälas omedel-  
bart efter uppackningen, dock senast två dagar ef-  
ter inköpsdatum. När garantitiden är slut måste man  
betala för eventuella reparationer.

### **Service Sverige**

Tel.: 0770 930739

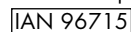
E-Mail: [kompernass@lidl.se](mailto:kompernass@lidl.se)

 IAN 96715

### **Service Suomi**

Tel.: 010309 3582

E-Mail: [kompernass@lidl.fi](mailto:kompernass@lidl.fi)

 IAN 96715

### **Tillgänglighet Hotline:**

Måndag till fredag kl. 08.00 - 20.00 (CET)

## Importör

KOMPERNASS HANDELS GMBH  
BURGSTRASSE 21  
44867 BOCHUM  
GERMANY  
[www.kompernass.com](http://www.kompernass.com)

<b>Indholdsfortegnelse</b>	<b>Side</b>
Anvendelsesområde	28
Medfølger ved køb	28
Beskrivelse af støvsugeren	28
Vigtige sikkerhedsanvisninger	29
Tekniske data	31
Før første brug	31
Info til genopladelige batterier	31
Montering af vægholderen	31
Opladning	32
Betjening	32
Rengøring	33
Bortskaffelse	33
Garanti og service	34
Importør	34

# Håndstøvsuger med genopladeligt Li-ion-batteri

---

Til lykke med købet af din nye elartikel.

Dermed har du valgt et produkt af høj kvalitet. Betjeningsvejledningen er del af dette produkt. Den indeholder vigtige informationer om sikkerhed, anvendelse og bortskaffelse. Du bedes sætte dig ind i alle produktets betjenings- og sikkerhedsanvisninger før brug. Brug kun produktet som beskrevet og kun til de angivne anvendelsesområder. Lad også vejledningen følge med produktet, hvis du giver det videre til andre.

## Anvendelsesområde

---

Batteridrevet håndstøvsuger må kun anvendes til sugning af tørre eller våde overflader eller tørt eller vådt materiale eller væsker. Der må ikke suges på mennesker eller dyr med denne maskine. Enhver anden form for anvendelse eller ændring af håndstøvsugeren anses for at være uden for anvendelsesområdet og indebærer betydelige farer for uheld. Producenten er ikke ansvarlig for skader, der skyldes anvendelse til andre formål end anvendelsesområdet eller forkert betjening.

Håndstøvsugeren må ikke anvendes til erhvervs-mæssig brug.

## Medfølger ved køb

---

Håndstøvsuger med genopladeligt Li-ion-batteri  
Fugemundstykke  
Våd-sugemundstykke  
Vægholder  
Monteringsmateriale  
Strømforsyning  
Betjeningsvejledning

Kontrollér lige efter udpakningen, at alle dele er leveret med. Fjern alle indpakningsmaterialer fra apparatet – især beskyttelseskappen over tænd-/slukknappen.

## Beskrivelse af støvsugeren

---

- 1 Våd-sugemundstykke
- 2 Fugemundstykke
- 3 Vægholder
- 4 Strømforsyning
- 5 Hulstik
- 6 Tænd/sluk-knap
- 7 Ladekontrollampe
- 8 Åbningsknap
- 9 Støvfilterpose
- 10 Støvfilter
- 11 Smudsbeholder

### **Bemærk:**

Støvsugeren leveres med uopladede batterier. Før støvsugeren bruges første gang, skal batterierne oplades i 24 timer.

## Vigtige sikkerhedsanvisninger

---

### **⚠ Undgå livsfare på grund af elektrisk stød på følgende måde:**

- Oplad og brug ikke denne håndstøvsuger udendørs.
- Brug aldrig håndstøvsugeren, hvis ledning, stik eller kabinet er beskadiget.
- Hvis strømskiftet eller ledningen er beskadiget, skal det/den straks udskiftes af en autoriseret reparatør, så farlige situationer undgås.
- Lad kun reparationer udføre af et specialværksted. Åbn aldrig selv støvsugeren. Indgreb, som ikke er udført af et specialværksted, kan føre til personskader.
- Kontrollér, før du tænder for håndstøvsugeren, at spændingen, som er angivet i de tekniske data til støvsugeren, er i overensstemmelse med netspændingen.
- Rør ikke ved strømforsyningen eller støvsugeren med våde eller fugtige hænder.
- Brug ikke strømforsyningen sammen med en forlængerledning, men sæt strømforsyningen direkte i en stikkontakt.

### **⚠ Sådan undgår du personskader:**

- Udskift ikke tilbehørsdele, mens støvsugeren er i brug.
- Brug ikke håndstøvsugeren til at opsuge spidse genstande eller glasskår.
- Sug aldrig brændende tændstikker, aske med gløder eller cigaretskod op.
- Brug ikke håndstøvsugeren til opsugning af kemiske produkter, stenstøv, gips, cement eller andre lignende partikler.
- Støvsugeren er ikke egnet til brændbare og eksplosive stoffer eller kemiske og aggressive væsker.
- Opbevar altid støvsugeren i lukkede rum. Opbevar støvsugeren et tørt sted efter brug for at undgå uheld.
- Under ekstreme forhold kan batterierne lække. Hvis væsken fra batterierne kommer i kontakt med huden eller øjnene, skal det pågældende sted straks skylles af med rent vand. Søg læge.



- Dette produkt må bruges af børn fra 8 år og derover og af personer med nedsatte fysiske, psykiske, motoriske eller mentale evner eller manglende erfaring og/eller viden, hvis de er under opsyn eller undervises i sikker brug af produktet og de farer, der kan være forbundet med det. Børn må ikke lege med produktet. Rengøring og brugervedligeholdelse må ikke udføres af børn uden opsyn.

### ***Gå frem på følgende måde:***

- Brug kun tilbehørsdele, som anbefales af producenten.
- Strømforsyningen må ikke bruges til andre formål. Hold aldrig vægholderen eller strømforsyningen i ledningen. Træk ikke i ledningen, hvis du vil indstille støvsugeren.
- Tag altid fat i stikket, når du vil trække stikket ud af stikkontakten.
- Sørg altid for, at du ikke stiller håndstøvsugeren ved siden af radiatorer, bageovne eller andre opvarmede apparater eller overflader.
- Sørg altid for, at udluftningsspalterne ikke er blokerede. En blokeret luftcirkulation kan medføre overophedning og beskadigelse af støvsugeren.
- Dette produkt indeholder genopladelige batterier. Smid ikke batterierne i åben ild, og udsæt dem ikke for høje temperaturer. Fare for eksplosion!
- Vær meget forsigtig, når du bruger håndstøvsugeren på trapper.
- Brug ikke håndstøvsugeren uden monteret støvfilter.
- Brug ikke strømforsyningen til andre produkter, og forsøg ikke at oplade med en anden oplader. Brug kun strømforsyningen, som er leveret sammen med denne støvsuger.
- Prøv aldrig på at genoplade batterier, **der ikke kan genoplades.**

## Tekniske data

### Strømforsyning ④

Indgangsspænding/

- strøm: 100 - 240 V ~, 50/60 Hz  
maks. 300 mA

Udgangsspænding/

- strøm: 9,6 V === / 300 mA

Beskyttelsesklasse: II/□

Typebetegnelse: SAS 7.4 LI A2-1

### Apparat

Indgangsspænding 7,4 V ===

### Genopladelige batterier

Kapacitet: 1300 mAh

Genopladeligt batteri: 7,4 V  
(2 x 3,7 V lithium-ion-batteri)

## Før første brug

- Fjern alle emballeringsmaterialer fra apparatet, især beskyttelseskappen over tænd-/slukknappen ⑥.
- Sæt smudsbeholderen ⑪ på motorblokken:
  - Skub plastik-næsen på undersiden af håndstøvsugerens ind i udkæringen på smudsbeholderen ⑪.
  - Tryk på åbningsknappen ⑧, og skub samtidig smudsbeholderen ⑪ på motorblokken.
  - Slip åbningsknappen ⑧, så lukningen griber ind i udkæringen. Nu sidder smudsbeholderen ⑪ fast på motorblokken.

## Info til genopladelige batterier

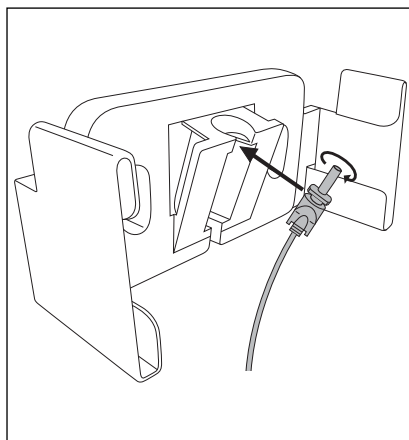
1. Håndstøvsugerens anvendes med genopladelige lithium-ion-batterier.  
Før du bruger håndstøvsugerens første gang, skal batterierne oplades i mindst 24 timer.
2. Batterierne opnår deres fulde kapacitet efter en opladningstid på 24 timer. Til vedligeholdelse af batterierne anbefaler vi følgende: Tag strømforsyningen ④ ud af stikkontakten, når batterierne er opladet. Slut først strømforsyningen ④ til stikkontakten, når støvsugerens sugoeffekt bliver væsentligt svagere.

## Montering af vægholderen

### ⚠ Livsfare!

Sørg for, at der ikke er strømledninger eller andre ledninger eller rør i væggen, hvor du vil bore huller til vægholderen ③. Det er livsfarligt, hvis du borer i en strømførende ledning!

1. Sæt hulstikket ⑤ til strømforsyningen ④ i vægholderen ③ som vist på det efterfølgende billede. Fastgør hulstikket ⑤ ved at dreje det.



2. Find et velegnet sted til montering af vægholderen **3**: Håndstøvsugerens skal være nem at tage ud af den, og der skal være en stikkontakt i nærheden til strømforsyningen **4**.
  3. Bor to huller med en afstand på ca. 68 mm. Brug vægholderen **3** til at afmærke hullerne med: sådan bliver afstanden korrekt. Borehullerne skal bores, så de passer til 5 mm-dyvlér.
  4. Sæt dyvlérerne i hullerne, og skru vægholderen **3** fast ved hjælp af skrueerne.
  5. Du kan sætte sugemundstykkerne på tilbehørs-holderne på siden.
  6. Sæt strømforsyningen **4** ind i en stikkontakt.
- Når opladningen er afsluttet, hvilket kan vare ca. 5 timer, hvis batterierne er helt afladet, går apparatet automatisk over på vedligeholdelsesladning (vedligeholdelsesfunktion). Lad ikke støvsugerens være sluttet permanent til strømforsyningen **4**, så eventuelle skader på batterierne undgås.
  - Oplad først batterierne igen, når håndstøvsugerens sugoeffekt er væsentligt svagere, og kontrollampen **7** blinker grønt.

### **Bemærk:**

Håndstøvsugerens kan også oplades direkte via strømforsyningen **4**. Tag hulstikket **5** ud af vægholderen **3** med en let drejning, og sæt det i stikket på håndstøvsugerens.

## Opladning

### **Bemærk:**

Sørg for, at tænd/sluk-knappen **6** er stillet tilbage (position "0"), før du starter opladningen.

- Sæt håndstøvsugerens fra oven ind i vægholderen **3**, så hulstikket **5** glider ind i bøsningen på håndstøvsugerens. Ladelampen **7** blinker rødt, og opladningen begynder.

### **Vigtigt:**

- Hvis håndstøvsugerens har energi nok til at suge igen, lyser ladekontrollampen **7** grønt. Det betyder ikke, at batterierne er ladet helt op. Når ladekontrollampen **7** lyser grønt, er batterierne ladet ca. 80% op.

## Betjening

### **Obs!**

Sugeåbningen skal altid være fri og må ikke være blokeret. Blokering medfører overophedning og beskadigelse af motoren.

### **Bemærk:**

- Sørg for, at støvfilteret **10** altid er sat i, før du anvender støvsugerens.
  - Sug maksimalt så meget væske op, at smudsbeholderen **11** er fyldt til MAKS-markeringen.
1. Tag håndstøvsugerens af vægholderen **3**, eller tag hulstikket **5** ud af vægholderen **3**, hvis du ikke bruger vægholderen.
  2. Sæt det rigtige mundstykke ind i sugeåbningen:
    - rørmundstykket **2**, hvis du vil rengøre vanskeligt tilgængelige steder.
    - våd-mundstykket **1** for at suge væsker op.

### **i Bemærk:**

Rengør omgående smudsbeholderen **11**, når du har suget væsker op. Ellers kan der dannes sygdomsfremkaldende bakterier! Sørg for, at støvfilterposen **9** er helt tør, før du bruger apparatet igen.

3. For at tænde for støvsugeren skal du stille tænd-/slukknappen **6** frem. Ladelampen **7** lyser grønt.
4. Efter brug skal du stille tænd-/slukknappen **6** tilbage.

### **i Bemærk:**

Sæt håndstøvsugeren i vægholderen **3**, og begynd opladningen, når sugeeffekten bliver mærkbart svagere, og ladelampen **7** blinker grønt.

## Rengøring

Du får de bedste resultater ved at tømme støvbeholderen **11** og rengøre støvfilteret **10**, hver gang du har brugt støvsugeren.

### **⚠ Vigtigt:**

Brug ikke aggressive, kemiske eller skurende rengøringsmidler. De angriber støvsugerens overflade.

1. For at åbne smudsbeholderen **11** skal du trykke på åbningsknappen **8** og tage smudsbeholderen **11** af.
2. Tag støvfilteret **10** ud af smudsbeholderen **11**.
3. Tøm smudsbeholderen **11**.
4. Tag støvfilterposen **9** med holderen ud af støvfilteret **10**.
5. Skyl støvfilterposen **9** i koldt vand, og vent, til den er helt tør, før du sætter den ind i støvfilteret **10** igen. Tør den ikke med varm luft.

6. Sæt støvfilteret **10** i støvbeholderen **11** igen. Sørg for, at støvfilteret **10** sidder lige, og at gummilæben lukker smudsbeholderen **11**.
7. Sæt smudsbeholderen **11** på motorblokken igen:
  - Sæt plasttappen på undersiden af håndstøvsugeren ind i udskæringen på smudsbeholderen **11**.
  - Tryk på åbningsknappen **8**, og sæt samtidig smudsbeholderen **11** på motorblokken.
  - Slip åbningsknappen **8**, så lukningen griber ind i udskæringen. Nu sidder smudsbeholderen **11** fast på motorblokken.
8. Rengør kabinettet og de to sugemundstykker med en let fugtet klud. Hvis snavset sidder meget fast, kan du tilsætte et mildt rengøringsmiddel til kluden.
9. Tør alle dele grundigt af, før støvsugeren anvendes igen eller stilles væk.

## Bortskaffelse

Produktet og det genopladelige batteri skal bortskaffes separat fra hinanden.

### Bortskaffelse af produktet



**Smid aldrig håndstøvsugeren ud sammen med det normale husholdningsaffald. Dette produkt er underkastet det europæiske direktiv 2012/19/EU.**

Bortskaf støvsugeren hos et godkendt affaldsfirma eller på dit kommunale affaldsanlæg. Følg de aktuelt gældende regler. Kontakt affaldsordningen, hvis du er i tvivl.

## Bortskaffelse af batterier/genopladelige batterier



Batterier/genopladelige batterier må ikke smides ud med husholdningsaffaldet. Alle forbrugere er lovmæssigt forpligtet til at aflevere batterier/genopladelige batterier på det kommunale indsamlingssted eller i de respektive forretninger.

Denne forpligtelse hjælper med til, at batterier/genopladelige batterier kan afleveres til miljøskånsom destruktion. Levér kun batterier/genopladelige batterier tilbage i afladet tilstand.

For at bortskaffe produktet miljøvenligt skal det genopladelige batteri tages ud af produktet.

### **⚠ Fare for elektrisk stød!**

Afbryd produktet fra strømnettet, når det genopladelige batteri tages ud!

### **⚠ Obs! Materielle skader!**

Tag kun det genopladelige batteri ud, hvis produktet skal bortskaffes/skrottes! Produktet er defekt, hvis det genopladelige batteri tages ud!

1. Tag smudsbeholderen **1** af motordelen.
2. Løsn de 4 krydskærvskruer på siden af motordelen og krydskærvskruen på det runde gitter på motordelen.
3. Nu kan du skille motordelen ad
4. Klip de 3 kabler, som forbinder platinerne med det genopladelige batteri med blå beklædning, igennem. Nu kan det genopladelige batteri tages ud.
5. Bortskaf det genopladelige batteri miljøvenligt. Følg de aktuelt gældende regler. Henvend dig i tvivlstilfælde til den lokale genbrugsplads.



Aflever alle emballagematerialer på et affaldsdepot, så miljøet skånes.

## Garanti og service

---

Du får 3 års garanti fra købsdatoen på dette produkt. Produktet er produceret omhyggeligt og inden levering afprøvet samvittighedsfuldt. Opbevar kasseboksen som bevis for købet.

I garantitilfælde bedes du kontakte serviceafdelingen telefonisk. På denne måde kan gratis indsendelse af varen garanteres.

Garantiydelsen gælder kun for materiale- eller fabriktionsfejl, men ikke for transportskader, sliddele eller skader på skrøbelige dele som f.eks. kontakter eller batterier. Produktet er kun beregnet til privat og ikke til erhvervmæssigt brug.

Ved misbrug og u hensigtsmæssig behandling, anvendelse af vold og ved indgreb, som ikke er foretaget af vores autoriserede serviceafdeling, ophører garantien. Dine juridiske rettigheder indskrænkes ikke ved denne garanti.

Garantiperioden forlænges ikke på grund af produktansvaret. Det gælder også for udskiftede og reparerede dele. Eventuelle skader og mangler, som allerede findes ved køb, skal straks anmeldes efter udpakning og senest to dage efter købsdatoen.

Når garantiperioden er udløbet, skal udgifterne til reparationer betales normalt.

### **DK Service Danmark**

Tel.: 32 710005

E-Mail: [kompernass@lidl.dk](mailto:kompernass@lidl.dk)

IAN 96715

### **Åbningstid for hotline:**

Mandag til fredag fra kl. 8:00 – 20:00 (MET)

## Importør

---

KOMPERNASS HANDELS GMBH  
BURGSTRASSE 21  
44867 BOCHUM  
GERMANY  
[www.kompernass.com](http://www.kompernass.com)

<b>Inhaltsverzeichnis</b>	<b>Seite</b>
<b>Bestimmungsgemäßer Gebrauch</b>	<b>36</b>
<b>Lieferumfang</b>	<b>36</b>
<b>Gerätebeschreibung</b>	<b>36</b>
<b>Wichtige Sicherheitshinweise</b>	<b>37</b>
<b>Technische Daten</b>	<b>39</b>
<b>Vor der ersten Inbetriebnahme</b>	<b>39</b>
<b>Informationen zu den Akkus</b>	<b>39</b>
<b>Montage des Wandhalters</b>	<b>39</b>
<b>Aufladen</b>	<b>40</b>
<b>Bedienen</b>	<b>40</b>
<b>Reinigen</b>	<b>41</b>
<b>Entsorgen</b>	<b>41</b>
<b>Garantie und Service</b>	<b>42</b>
<b>Importeur</b>	<b>43</b>

# Li-Ionen-Akku- Handstaubsauger

---

Herzlichen Glückwunsch zum Kauf Ihres neuen Gerätes.

Sie haben sich damit für ein hochwertiges Produkt entschieden. Die Bedienungsanleitung ist Bestandteil dieses Produkts. Sie enthält wichtige Hinweise für Sicherheit, Gebrauch und Entsorgung. Machen Sie sich vor der Benutzung des Produkts mit allen Bedien- und Sicherheitshinweisen vertraut. Benutzen Sie das Produkt nur wie beschrieben und für die angegebenen Einsatzbereiche. Händigen Sie alle Unterlagen bei Weitergabe des Produkts an Dritte mit aus.

## Bestimmungsgemäßer Gebrauch

---

Der Handstaubsauger darf nur zum Saugen von trockenen oder nassen Oberflächen bzw. trockenem oder nassem Sauggut oder Flüssigkeiten eingesetzt werden. Menschen oder Tiere dürfen mit diesem Gerät nicht abgesaugt werden. Jede andere Verwendung oder Veränderung des Gerätes gilt als nicht bestimmungsgemäß und birgt erhebliche Unfallgefahren. Der Hersteller haftet nicht für Schäden, die durch nicht bestimmungsgemäßen Gebrauch oder falsche Bedienung verursacht werden. Das Gerät ist nicht für den gewerblichen Gebrauch bestimmt.

## Lieferumfang

---

Li-Ionen-Akku-Handstaubsauger  
Fugendüse  
Nasssaugdüse  
Wandhalter  
Montagematerial  
Netzteil  
Bedienungsanleitung

Kontrollieren Sie direkt nach dem Auspacken den Lieferumfang auf Vollständigkeit.

## Gerätebeschreibung

---

- ❶ Nasssaugdüse
- ❷ Fugendüse
- ❸ Wandhalter
- ❹ Netzteil
- ❺ Hohlstecker
- ❻ Ein-/Ausschalter
- ❼ Ladekontrollleuchte (rot/grün)
- ❽ Entriegelungstaste
- ❾ Staubfilter-Beutel
- ❿ Staubfilter
- ⓫ Schmutzbehälter

### **Hinweis:**

Das Gerät wird mit nicht geladenen Akkus geliefert. Vor dem ersten Gebrauch des Gerätes sind die Akkus zunächst für 24 Stunden zu laden.

## Wichtige Sicherheitshinweise

---

### **⚠ Um Lebensgefahr durch elektrischen Schlag zu vermeiden:**

- Laden bzw. verwenden Sie dieses Gerät nicht im Freien.
- Den Handstaubsauger niemals gebrauchen, wenn Kabel, Stecker oder Gehäuse beschädigt sind.
- Lassen Sie beschädigte Netzstecker oder Netzkabel sofort von autorisiertem Fachpersonal austauschen, um Gefährdungen zu vermeiden.
- Lassen Sie Reparaturen nur von einer Fachwerkstatt durchführen. Öffnen Sie unter keinen Umständen selbst das Gerät. Eingriffe, die nicht durch einen Fachbetrieb vorgenommen wurden, können zu Verletzungen führen.
- Überzeugen Sie sich vor dem Einschalten des Gerätes, dass die in den technischen Daten des Gerätes verzeichnete Spannung der Netzspannung entspricht.
- Fassen Sie das Netzteil oder das Gerät nicht mit nassen oder feuchten Händen an.
- Verwenden Sie das Netzteil nicht mit einem Verlängerungskabel, sondern verbinden Sie das Netzteil direkt mit einer Steckdose.

### **⚠ Um Verletzungsgefahr zu vermeiden:**

- Wechseln Sie keine Zubehörteile aus, wenn das Gerät in Betrieb ist.
- Benutzen Sie den Handstaubsauger nicht zum Aufsaugen von spitzen Gegenständen oder Glasscherben.
- Niemals brennende Streichhölzer, glimmende Asche oder Zigarettenstummel aufsaugen.
- Gebrauchen Sie den Handstaubsauger nicht zum Aufsaugen von chemischen Produkten, Steinstaub, Gips, Zement, oder anderen ähnlichen Partikeln.
- Das Gerät ist nicht für entflammare und explosive Stoffe oder chemische und aggressive Flüssigkeiten geeignet.
- Lagern Sie das Gerät immer in geschlossenen Räumen. Um Unfälle zu verhindern, bewahren Sie das Gerät nach Gebrauch an einem trockenen Ort auf.
- Unter extremen Bedingungen können Leckagen an den Akkuzellen auftreten. Bei Kontakt der Flüssigkeit mit Haut oder Augen ist die betreffende Stelle sofort mit sauberem Wasser aus- bzw. abzuspülen. Suchen Sie einen Arzt auf.



- Dieses Gerät kann von Kindern ab 8 Jahren und darüber sowie von Personen mit verringerten physischen, sensorischen oder mentalen Fähigkeiten oder Mangel an Erfahrung und Wissen benutzt werden, wenn sie beaufsichtigt oder bezüglich des sicheren Gebrauchs des Gerätes unterwiesen wurden und die daraus resultierenden Gefahren verstehen. Kinder dürfen nicht mit dem Gerät spielen. Reinigung und Benutzer-Wartung dürfen nicht von Kindern ohne Beaufsichtigung durchgeführt werden.

### ***So verhalten Sie sich sicher:***

- Verwenden Sie nur Zubehörteile, die vom Hersteller empfohlen werden.
- Das Netzteil darf nicht für andere Zwecke benutzt werden. Tragen Sie den Wandhalter oder das Netzteil niemals am Kabel. Ziehen Sie nicht am Kabel, wenn Sie das Gerät verstellen wollen.
- Fassen Sie immer den Netzstecker an, um das Gerät von der Stromversorgung zu trennen.
- Achten Sie unbedingt darauf, dass Sie den Handstaubsauger nicht neben Heizkörpern, Backöfen oder anderen erhitzten Geräten oder Flächen abstellen.
- Achten Sie immer darauf, dass die Lüftungsschlitze frei sind. Ein blockierter Luftkreislauf kann zur Überhitzung und Beschädigung des Gerätes führen.
- Dieses Produkt enthält wiederaufladbare Akkus. Werfen Sie die Akkus nicht ins Feuer und setzen Sie sie nicht hohen Temperaturen aus. Es besteht Explosionsgefahr!
- Üben Sie besondere Sorgfalt aus, wenn Sie den Handstaubsauger auf Treppen benutzen.
- Benutzen Sie den Handstaubsauger nicht ohne eingesetzten Staubfilter.
- Benutzen Sie das Netzteil nicht für ein anderes Produkt und versuchen Sie nicht, dieses Gerät mittels einer anderen Ladestation aufzuladen. Verwenden Sie nur das mit diesem Gerät gelieferte Netzteil.
- Versuchen Sie niemals, **nicht wiederaufladbare** Batterien aufzuladen.

## Technische Daten

### Netzteil ④

Eingangsspannung/  
- strom: 100 - 240 V ~, 50/60 Hz  
max. 300 mA

Ausgangsspannung/  
- strom: 9,6 V === / 300 mA

Schutzklasse: II / □  
Typenbezeichnung: SAS 7.4 LI A2-1

### Gerät

Eingangsspannung: 7,4 V ===

### Akkus

Kapazität: 1300 mAh  
Akku: 7,4 V  
(2 x 3,7 V Lithium-Ionen-Akku)

## Vor der ersten Inbetriebnahme

- Entfernen Sie alle Verpackungsmaterialien vom Gerät, insbesondere die Schutzkappe über dem Ein-/Ausschalter ⑥.
- Setzen Sie den Schmutzbehälter ① auf den Motorblock:
  - Schieben Sie die Plastik-Nase an der Unterseite des Handstaubsaugers in die Aussparung am Schmutzbehälter ①.
  - Drücken Sie die Entriegelungstaste ⑧ und schieben Sie gleichzeitig den Schmutzbehälter ① auf den Motorblock.
  - Lassen Sie die Entriegelungstaste ⑧ los, so dass die Verriegelung in die Aussparung greift. Der Schmutzbehälter ① sitzt nun fest auf dem Motorblock.

## Informationen zu den Akkus

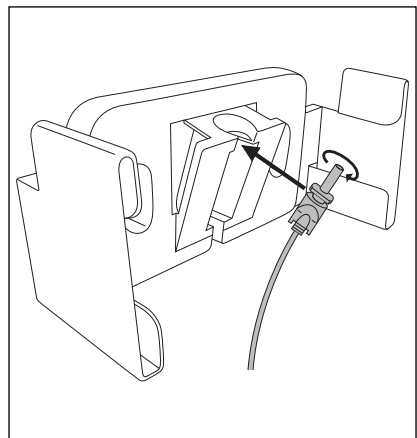
1. Der Handstaubsauger wird mit wiederaufladbaren Lithium-Ionen-Akkus betrieben. Bevor Sie den Handstaubsauger zum ersten Mal verwenden, müssen die Akkus für mindestens 24 Stunden geladen werden.
2. Die Akkus erreichen ihre volle Kapazität nach einer Aufladezeit von 24 Stunden. Zur Pflege der Akkus empfehlen wir folgendes: Ziehen Sie, nachdem die Akkus geladen sind, das Netzteil ④ aus der Netzsteckdose. Verbinden Sie das Netzteil ④ erst wieder mit der Netzsteckdose, wenn die Saugleistung des Handstaubsaugers spürbar schwächer wird.

## Montage des Wandhalters

### ⚠ Lebensgefahr!

Stellen Sie sicher, dass sich keine Stromleitungen oder andere Leitungen oder Rohre in der Wand befinden, in der Sie die Löcher für den Wandhalter ③ bohren wollen. Es besteht Lebensgefahr, wenn Sie eine stromführende Leitung anbohren!

1. Setzen Sie den Hohlstecker ⑤ des Netzteils ④ wie auf der nachfolgenden Abbildung gezeigt in den Wandhalter ③ ein. Fixieren Sie den Hohlstecker ⑤, indem Sie ihn drehen.



2. Suchen Sie einen geeigneten Montageplatz für den Wandhalter **3**: Der Handstaubsauger muss problemlos aus ihm herausgezogen werden können und eine Netzsteckdose muss für das Netzteil **4** erreichbar sein.
3. Bohren Sie zwei Löcher im Abstand von ca. 68 mm. Benutzen Sie den Wandhalter **3** zum Anzeichnen der Löcher: so ist der Abstand korrekt abgemessen. Die Bohrlöcher müssen passend für 5 mm-Dübel gebohrt werden.
4. Stecken Sie die Dübel in die Löcher und schrauben Sie den Wandhalter **3** mit Hilfe der Schrauben fest.
5. Sie können die Düsen auf die seitlichen Zubehöralter aufstecken.
6. Stecken Sie das Netzteil **4** in eine Netzsteckdose ein.

- Ist der Ladevorgang abgeschlossen, welcher bei komplett entladenen Akkus ca. 5 Stunden dauern kann, schaltet das Gerät automatisch in die Erhaltungsladung (Pflegefunktion). Lassen Sie dennoch das Gerät nicht permanent am Netzteil **4** angeschlossen, um eventuelle Beschädigungen der Akkus zu vermeiden.
- Laden Sie die Akkus erst wieder auf, wenn die Saugleistung des Handstaubsaugers spürbar schwächer wird und die Ladekontrollleuchte **7** grün blinkt.

### **i Hinweis:**

Der Handstaubsauger kann auch direkt über das Netzteil **4** geladen werden. Entnehmen Sie dafür den Hohlstecker **5** durch eine leichte Drehung aus dem Wandhalter **3** und stecken Sie ihn in die Buchse am Handstaubsauger.

## Aufladen

### **i Hinweis:**

Vergewissern Sie sich, dass der Ein-/Ausschalter **6** nach hinten geschoben ist (Position „0“), bevor Sie mit dem Laden beginnen.

- Setzen Sie den Handstaubsauger von oben in den Wandhalter **3**, so dass der Hohlstecker **5** in die Buchse am Handstaubsauger rutscht. Die Ladekontrollleuchte **7** blinkt rot auf und der Ladevorgang beginnt.

### **⚠ Wichtig:**

- Wenn der Handstaubsauger wieder genug Energie hat, um zu saugen, leuchtet die Ladekontrollleuchte **7** grün. Dies bedeutet nicht, dass die Akkus voll geladen sind. Wenn die Ladekontrollleuchte **7** grün aufleuchtet, sind die Akkus zu ca. 80% geladen.

## Bedienen

### **⚠ Achtung!**

Die Saugöffnung muss jederzeit frei und darf nicht verstopft sein. Verstopfungen führen zu Überhitzung und Beschädigung des Motors.

### **i Hinweise:**

- Achten Sie darauf, dass der Staubfilter **10** immer eingesetzt ist, bevor Sie das Gerät verwenden.
- Saugen Sie maximal nur so viel Flüssigkeit auf, bis der Schmutzbehälter **11** bis zur MAX-Markierung gefüllt ist.

1. Nehmen Sie den Handstaubsauger von dem Wandhalter **3** herunter, oder, wenn Sie den Wandhalter **3** nicht benutzen, ziehen Sie den Hohlstecker **5** aus der Buchse.
2. Setzen Sie, wenn gewünscht, die passende Düse in die Saugöffnung:
  - die Fugendüse **2**, um enge, schwer zu erreichende Stellen zu reinigen.
  - die Nasssaugdüse **1**, um Flüssigkeiten aufzusaugen.

### **i Hinweis:**

Reinigen Sie, nachdem Sie Flüssigkeiten aufgesaugt haben, sofort den Schmutzbehälter **11**. Ansonsten bilden sich Bakterien und Keime! Achten Sie darauf, dass der Staubfilter-Beutel **9** vollständig getrocknet ist, bevor Sie das Gerät wieder benutzen.

3. Um das Gerät einzuschalten, schieben Sie den Ein-/Ausschalter **6** nach vorne. Die Ladekontrollleuchte **7** leuchtet grün auf.
4. Nach Gebrauch schieben Sie den Ein-/Ausschalter **6** nach hinten.

### **i Hinweis:**

Setzen Sie den Handstaubsauger in den Wandhalter **3** und beginnen Sie mit dem Ladevorgang, wenn die Saugleistung spürbar schwächer wird und die Ladekontrollleuchte **7** grün blinkt.

## Reinigen

---

Um beste Ergebnisse zu erzielen, leeren Sie den Schmutzbehälter **11** und reinigen Sie den Staubfilter **10** nach jedem Gebrauch.

### **⚠ Wichtig:**

Benutzen Sie keine aggressiven, chemischen oder scheuernde Reinigungsmittel. Diese greifen die Oberfläche des Gerätes an.

1. Um den Schmutzbehälter **11** zu öffnen, drücken Sie die Entriegelungstaste **8** und nehmen Sie den Schmutzbehälter **11** ab.
2. Entnehmen Sie den Staubfilter **10** aus dem Schmutzbehälter **11**.
3. Entleeren Sie den Schmutzbehälter **11**.
4. Ziehen Sie den Staubfilter-Beutel **9** mit seiner Halterung aus dem Staubfilter **10**.
5. Spülen Sie den Staubfilter-Beutel **9** in kaltem Wasser aus und warten Sie, bis dieser wieder vollständig trocken ist, bevor Sie ihn wieder in den Staubfilter **10** einsetzen. Trocknen Sie ihn nicht mit heißer Luft.

6. Setzen Sie den Staubfilter **10** wieder in den Schmutzbehälter **11** ein. Achten Sie darauf, dass der Staubfilter **10** gerade sitzt und die Gummilippe den Schmutzbehälter **11** verschließt.
7. Setzen Sie den Schmutzbehälter **11** wieder auf den Motorblock:
  - Schieben Sie die Plastik-Nase an der Unterseite des Handstaubsaugers in die Aussparung am Schmutzbehälter **11**.
  - Drücken Sie die Entriegelungstaste **8** und schieben Sie gleichzeitig den Schmutzbehälter **11** auf den Motorblock.
  - Lassen Sie die Entriegelungstaste **8** los, so dass die Verriegelung in die Aussparung greift. Der Schmutzbehälter **11** sitzt nun fest auf dem Motorblock.
8. Reinigen Sie das Gehäuse und die beiden Düsen mit einem leicht angefeuchteten Tuch. Bei hartnäckigen Verschmutzungen geben Sie ein mildes Reinigungsmittel auf das Tuch.
9. Trocknen Sie alle Teile gut ab, bevor Sie das Gerät wieder verwenden oder verstauen.

## Entsorgen

---

Das Gerät und der Akku müssen getrennt voneinander entsorgt werden.

### Gerät entsorgen



**Werfen Sie das Gerät keinesfalls in den normalen Hausmüll. Dieses Produkt unterliegt der europäischen Richtlinie 2012/19/EU.**

Entsorgen Sie das Gerät über einen zugelassenen Entsorgungsbetrieb oder über Ihre kommunale Entsorgungseinrichtung. Beachten Sie die aktuell geltenden Vorschriften. Setzen Sie sich im Zweifelsfall mit Ihrer Entsorgungseinrichtung in Verbindung.

## Batterien/Akkus entsorgen



Batterien/Akkus dürfen nicht im Hausmüll entsorgt werden. Jeder Verbraucher ist gesetzlich verpflichtet, Batterien/Akkus bei einer Sammelstelle seiner Gemeinde/seines Stadtteils oder im Handel abzugeben.

Diese Verpflichtung dient dazu, dass Batterien/Akkus einer umweltschonenden Entsorgung zugeführt werden können. Geben Sie Batterien/Akkus nur im entladenen Zustand zurück.

Um das Gerät umweltgerecht zu entsorgen, müssen Sie den Akku aus dem Gerät entfernen.

### **Stromschlaggefahr!**

Entfernen Sie das Gerät vom Stromnetz, wenn Sie den Akku entfernen!

### **Achtung! Sachschaden!**

Entnehmen Sie den Akku nur aus dem Gerät, wenn Sie das Gerät entsorgen/verschrotten wollen! Das Gerät ist defekt, wenn Sie den Akku ausgebaut haben!

1. Nehmen Sie den Schmutzbehälter **11** vom Motorblock.
2. Lösen Sie die 4 Kreuzschlitzschrauben an der Seite des Motorblocks und die Kreuzschlitzschraube am runden Gitter am Motorblock.
3. Sie können nun den Motorblock auseinander nehmen
4. Kneifen Sie die 3 Kabel, welche die Platine mit dem blau ummantelten Akku verbinden, durch. Sie können nun den Akku entfernen.
5. Entsorgen Sie den Akku umweltgerecht. Beachten Sie die aktuell geltenden Vorschriften. Setzen Sie sich im Zweifelsfall mit Ihrer Entsorgungseinrichtung in Verbindung.



Führen Sie alle Verpackungsmaterialien einer umweltgerechten Entsorgung zu.

## Garantie und Service

---

Sie erhalten auf dieses Gerät 3 Jahre Garantie ab Kaufdatum. Das Gerät wurde sorgfältig produziert und vor Anlieferung gewissenhaft geprüft.

Bitte bewahren Sie den Kassenbon als Nachweis für den Kauf auf. Bitte setzen Sie sich im Garantiefall mit Ihrer Servicestelle telefonisch in Verbindung. Nur so kann eine kostenlose Einsendung Ihrer Ware gewährleistet werden.

Die Garantieleistung gilt nur für Material- oder Fabrikationsfehler, nicht aber für Transportschäden, Verschleißteile oder für Beschädigungen an zerbrechlichen Teilen, z. B. Schalter oder Akkus. Das Produkt ist lediglich für den privaten und nicht für den gewerblichen Gebrauch bestimmt.

Bei missbräuchlicher und unsachgemäßer Behandlung, Gewaltanwendung und bei Eingriffen, die nicht von unserer autorisierten Service-Niederlassung vorgenommen wurden, erlischt die Garantie. Ihre gesetzlichen Rechte werden durch diese Garantie nicht eingeschränkt.

Die Garantiezeit wird durch die Gewährleistung nicht verlängert. Dies gilt auch für ersetzte und reparierte Teile. Eventuell schon beim Kauf vorhandene Schäden und Mängel müssen sofort nach dem Auspacken gemeldet werden, spätestens aber zwei Tage nach Kaufdatum. Nach Ablauf der Garantiezeit anfallende Reparaturen sind kostenpflichtig.

### **Service Deutschland**

Tel.: 0800 5435 111

(Kostenfrei aus dem dt. Festnetz/Mobilfunknetz)

E-Mail: [kompernass@lidl.de](mailto:kompernass@lidl.de)

**IAN 96715**

### **Service Österreich**

Tel.: 0820 201 222 (0,15 EUR/Min.)

E-Mail: [kompernass@lidl.at](mailto:kompernass@lidl.at)

**IAN 96715**

**CH Service Schweiz**

Tel.: 0842 665566 (0,08 CHF/Min.,  
Mobilfunk max. 0,40 CHF/Min.)

E-Mail: [kompernass@lidl.ch](mailto:kompernass@lidl.ch)

IAN 96715

**Erreichbarkeit Hotline:**

Montag bis Freitag von 8:00 Uhr - 20:00 Uhr (MEZ)

## Importeur

---

KOMPERNASS HANDELS GMBH  
BURGSTRASSE 21  
44867 BOCHUM  
GERMANY  
[www.kompernass.com](http://www.kompernass.com)

**KOMPERNASS HANDELS GMBH**

BURGSTRASSE 21

44867 BOCHUM

DEUTSCHLAND / GERMANY

[www.kompernass.com](http://www.kompernass.com)

Last Information Update · Tietojen tila · Informationsstatus

Tilstand af information · Stand der Informationen:

02 / 2014 · Ident.-No.: SAS7.4LIA2-012014-1

---

IAN 96715