

SILVERCREST®



www.lidl-service.com



LI-ION RECHARGEABLE HANDHELD VACUUM CLEANER SAS 7.4 LI A2

GB

LI-ION RECHARGEABLE HANDHELD VACUUM CLEANER

Operating instructions

SI

LITIJ-IONSKI AKUMULATORSKI ROČNI SESALNIK

Navodila za uporabo

SK

RUČNÝ VYSÁVAČ S LÍTIUM-IÓNOVOU BATÉRIOU

Návod na obsluhu

HU

LI-ION AKKUS KÉZI PORSZÍVÓ

Használati utasítás

CZ

RUČNÍ VYSAVAČ

Návod k obsluze

DE AT CH

LI-IONEN-AKKU-HANDSTAUBSAUGER

Bedienungsanleitung

IAN 96715

HU SI CZ SK



GB

Before reading, unfold the page containing the illustrations and familiarise yourself with all functions of the device.

HU

Olvasás előtt kattintson az ábrát tartalmazó oldalra és végezetül ismerje meg a készülék mindegyik funkcióját.

SI

Pred branjem odprite stran s slikami in se nato seznanite z vsemi funkcijami naprave.

CZ

Před čtením si otevřete stranu s obrázky a potom se seznámte se všemi funkcemi přístroje.

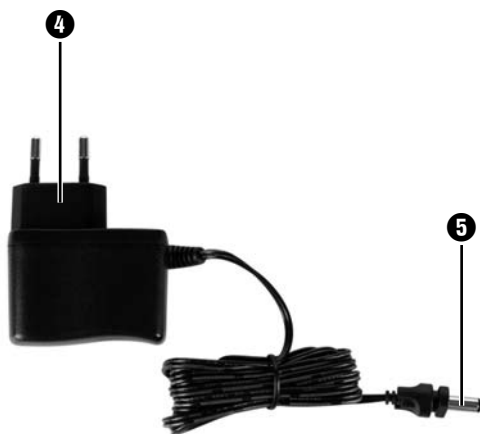
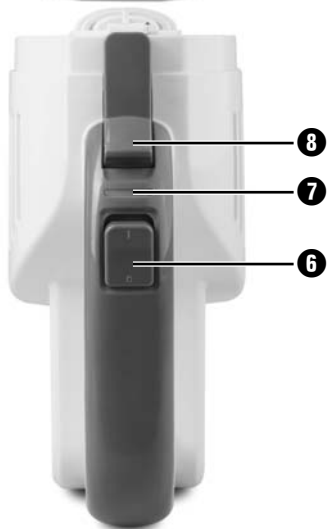
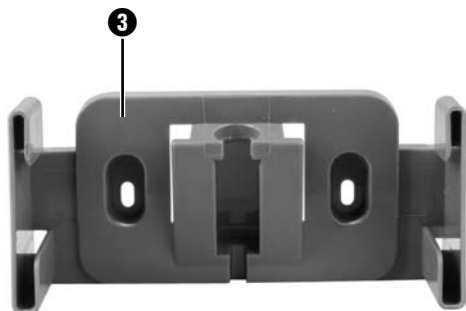
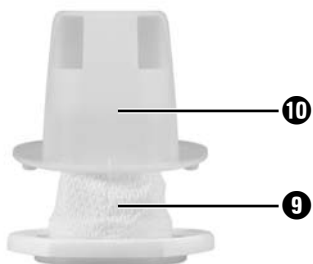
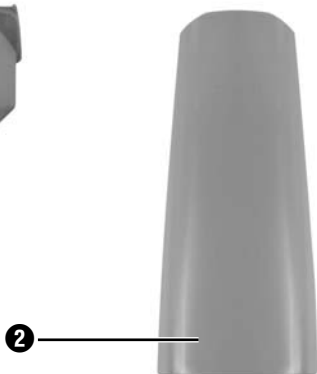
SK

Pred čítaním si odklopte stranu s obrázkami a potom sa oboznámte so všetkými funkciami prístroja.

DE AT CH

Klappen Sie vor dem Lesen die Seite mit den Abbildungen aus und machen Sie sich anschließend mit allen Funktionen des Gerätes vertraut.

GB	Operating instructions	Page	1
HU	Használati utasítás	Oldal	9
SI	Navodila za uporabo	Stran	17
CZ	Návod k obsluze	Strana	27
SK	Návod na obsluhu	Strana	35
DE/AT/CH	Bedienungsanleitung	Seite	43



Content	Page
Intended Usage	2
Items supplied	2
Appliance description	2
Important safety instructions	3
Technical data	5
Before taking into use	5
Information about the batteries	5
Installation of the wall holder	5
Charging	6
Operation	6
Cleaning	7
Disposal	7
Warranty and Service	8
Importer	8

Li-Ion Rechargeable Handheld Vacuum Cleaner

Congratulations on the purchase of your new appliance.

You have clearly decided in favour of a quality product. These operating instructions are a part of this product. They contain important information in regard to safety, use and disposal. Before using the product, familiarise yourself with all of these operating and safety instructions. Use the product only as described and only for the specified areas of application. In addition, pass these documents on, together with the product, to any future owner.

Intended Usage

This cordless hand-held vacuum cleaner may only be used to vacuum dry or wet surfaces resp. dry or wet materials and fluids. People or animals may not be vacuumed with this appliance. Any other usage of, or modification to, the appliance is deemed to be improper usage and carries the risk of serious personal injury. The manufacturer accepts no liability for damages that result from improper use of the appliance or are caused by the incorrect operation of it. The appliance is not intended for commercial use.

Items supplied

Li-Ion Rechargeable Handheld Vacuum Cleaner
Crevice nozzle
Wet suction nozzle
Wall holder
Assembly material
Power transformer
Operating instructions

Check the items supplied directly after unpacking for completeness.

Appliance description

- ❶ Wet suction nozzle
- ❷ Crevice nozzle
- ❸ Wall holder
- ❹ Power adapter
- ❺ Barrel plug
- ❻ On/Off switch
- ❼ Charge indicator lamp
- ❽ Unlocking button
- ❾ Dust filter bag
- ❿ Dust filter
- ⓫ Dirt container

Note:

This appliance is supplied with non-charged batteries. The batteries must be charged for 24 hours before the first use.

Important safety instructions

⚠ To avoid potentially fatal electric shocks:

- Do not charge or use the appliance outdoors.
- Never use the hand vacuum cleaner if the cable, plug or casing are damaged.
- To avoid risks, arrange for damaged power cables and/or plugs to be replaced as soon as possible by a qualified specialist or by our Customer Services.
- Arrange for repairs to be carried out only by specialist workshops. Under no circumstances should you open the appliance yourself. Interferences that are not carried out by a specialist workshop could lead to physical injuries.
- Before switching the hand vacuum cleaner on, ensure that the mains voltage corresponds to the voltage indicated in the technical data for the appliance.
- Never touch the power supply or the appliance with wet or damp hands.
- Do not use the power adapter with an extension cable; connect the power adapter directly to a power socket.

⚠ To avoid the risk of injury:

- Do not change any accessories while the appliance is switched on.
- Do not use the hand vacuum for vacuuming up sharp objects or glass shards.
- Never vacuum up burning matches, glowing ashes or cigarette butts.
- Do not use the hand vacuum for vacuuming up chemical products, stone dust, gypsum, cement or similar particles.
- This appliance is not suitable for use with inflammable and explosive substances or chemical and aggressive liquids.
- Always store the appliance indoors. To prevent accidents, keep the appliance in a dry location when not in use.
- Under extreme conditions, leaks in the battery cells may occur. In the event that battery fluid comes into contact with skin or eyes, the affected area must be rinsed off with water immediately. Contact a physician.

- This appliance may be used by children aged 8 over and by persons with reduced physical, sensory or mental capabilities or lack of experience and knowledge, provided that they are under supervision or have been told how to use the appliance safely and are aware of the potential risks. Children must not play with the appliance. Cleaning and user maintenance tasks may not be carried out by children unless they are supervised.

Tips for safety:

- Use only accessory parts recommended by the manufacturer.
- The power adapter may not be used for other purposes. Never carry the wall holder or the power adapter by the cable. Do not pull on the cable when you want to move the appliance.
- Always grip the power plug to disconnect the appliance from the power supply.
- Always be sure to keep the hand vacuum away from heating elements, ovens or other heated appliances and surfaces.
- Always make certain that the ventilation slits are open. A blocked ventilation circuit can result in overheating and damage to the appliance.
- This product contains rechargeable batteries. Do not throw the batteries into a fire and do not subject them to high temperatures. There is the risk of an explosion!
- Take special care when using the hand vacuum on stairs.
- Do not use the hand vacuum without the dust filter inserted.
- Do not use the power adapter for a different product and do not attempt to charge this appliance with a different charging station. Use only the charging station supplied with this appliance.
- Never try to recharge non-rechargeable batteries.

Technical data

Power adapter ④	
Input voltage / - current:	100 - 240 V ~, 50/60 Hz max. 300 mA
Output voltage/ - current:	9,6 V \equiv / 300 mA
Protection class:	II / \square
Type designation:	SAS 7.4 LI A2-1

Appliance

Input voltage 7,4 V \equiv

Batteries

Capacity: 1300 mAh
Batteries: 7,4 V
(2 x 3.7 V Lithium-Ion
Batteries)

Before taking into use

- Remove all packaging materials from the appliance, particularly the protective cap over the On/Off switch ⑥.
- Place the dirt container ① onto the motor block:
 - Slide the plastic tab on the underside of the handheld vacuum cleaner into the recess in the dirt container ①.
 - Press the unlocking button ③ and slide the dirt container ① onto the motor block at the same time.
 - Let go of the unlocking button ③ so that the locking mechanism engages in the recess. The dirt container ① is now sitting securely on the motor block.

Information about the batteries

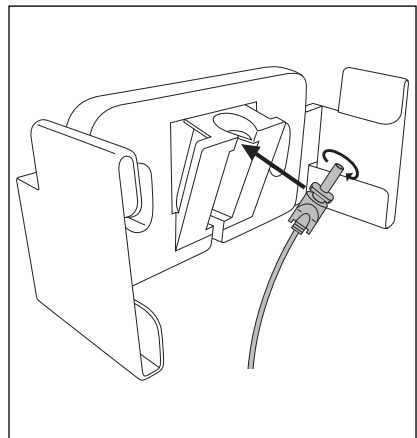
1. This hand-held vacuum cleaner is powered by rechargeable lithium-ion batteries.
Before using the cableless hand vacuum cleaner for the first time, the batteries must be charged for at least 24 hours.
2. The batteries reach their full capacity after a charging period of 24 hours. For care of the batteries we recommend the following: after the batteries are charged, remove the power adapter ④ from the mains power socket. Reconnect the power adapter ④ again with the mains power socket when the suction power of the appliance is noticeably weaker.

Installation of the wall holder

⚠ Mortal danger!

Ensure that there are no power cables or other conduits or pipes in the wall at the location where you intend to bore the holes for the wall holder ③. It would be a potentially fatal risk to bore into a current carrying electric cable!

1. Place the barrel plug ⑤ of the power adapter ④ into the wall holder ③ as shown in the diagramme. Secure the barrel plug ⑤ by turning it.



2. Select a suitable installation location for the wall holder **3**: It should present no problem with taking the hand vacuum cleaner out of it and a mains power socket for the power adapter **4** must be accessible.
3. Bore two holes with a spacing of approx. 68 mm. Use the wall holder **3** to mark the boreholes: this will ensure the spacing is correct. The boreholes must be suitable for 5 mm wallplugs.
4. Insert the wallplugs into the boreholes and, using the screws, firmly screw the wall holder **3** to the wall.
5. You can place the nozzles on the lateral accessories holder.
6. Connect the power adapter **4** to a mains power socket.

Charging

i Note:

Check to ensure that the on/off switch **6** has been slid back (to the position "0") before starting the charging process.

- Place the hand vacuum cleaner from above into the wall holder **3**, so that the barrel plug **5** slips into the socket on the hand vacuum cleaner. The charge indicator lamp **7** flashes red and the charging process begins.

⚠ Important:

- When the hand vacuum again has enough energy to vacuum, the charge indicator lamp **7** glows green. This does not mean that the batteries are fully charged. When the charge indicator lamp **7** glows green, it means the batteries are charged to about 80%.

- When charging is complete, which with fully discharged batteries can take approx. 5 hours, the appliance automatically switches to a trickle charge (maintenance function). Nevertheless, in order to avoid possible damage to the batteries, do not leave the appliance permanently connected to the power adapter **4**.
- First recharge the batteries when the suction power of the hand vacuum cleaner is noticeably weaker and the charge indicator lamp **7** green is blinking.

i Note:

The hand vacuum cleaner can also be charged directly via the power adapter **4**. For this, remove the barrel plug **5** with a slight twist from the wall holder **3** and insert it into the socket on the hand vacuum cleaner.

Operation

⚠ Warning!

The suction opening must always be open and unblocked. Blockages lead to overheating and damage to the motor.

i Tips:

- Make certain that the dust filter **10** is always inserted before using the appliance.
 - As the maximum, suck up only as much liquid as will fill the dirt container **11** to the MAX mark.
1. Take the hand vacuum cleaner from the wall holder **3** or, if you do not use the wall holder **3**, remove the barrel plug **5** from the socket.
 2. If required, place the appropriate nozzle into the suction opening:
 - the crevice nozzle **2**, to clean narrow and difficult to reach locations.
 - the wet suction nozzle **1** to vacuum liquids up.

i Note:

After you have vacuumed up liquids, immediately clean the dirt container ①. Otherwise bacteria and microbes could form in it! Ensure that the dust filter bag ⑨ is completely dry before using the appliance again.

3. To switch the appliance on, slide the on/off switch ⑥ forwards. The charge indicator lamp ⑦ lights up green.
4. When you have finished using it, slide the on/off switch ⑥ to the rear.

i Note:

Place the hand vacuum cleaner into the wall holder ④ and start the charging process when the suction power is noticeably weaker and the charge indicator lamps ⑦ green is blinking.

Cleaning

To achieve the best results, empty the dirt container ① and clean the dust filter ⑩ after every use.

⚠ Important:

Do not use aggressive, chemical or abrasive cleaning agents. These could damage the surfaces of the appliance.

1. To open the dirt container ①, press the unlocking button ⑧ and remove the dirt container ①.
2. Remove the dust filter ⑩ from the dirt container ①.
3. Empty the dirt container ①.
4. Pull the dust filter bag ⑨ with its mounting out of the dust filter ⑩.
5. Rinse the dust filter bag ⑨ in cold water and then wait until it is completely dry again before you place it back into the dust filter ⑩. Do not dry it with hot air.

6. Place the dust filter ⑩ back into the dirt container ①. Ensure that the dust filter ⑩ is seated squarely and that the rubber lip seals the dirt container ①.
7. Replace the dirt container ① back onto the motor block:
 - Push the plastic nose on the underside of the hand vacuum cleaner into the recess on the dirt container ①.
 - Press the unlocking button ⑧ and, at the same time, slide the dirt container ① onto the motor block.
 - Release the unlocking button ⑧ so that the restraint grips into the recess. The dirt container ① now sits firmly on the motor block.
8. Clean the housing and both nozzles with a lightly moistened cloth. For stubborn soiling use a mild detergent on the cloth.
9. Dry all parts thoroughly before reusing the appliance or putting it into storage.

Disposal

The appliance and the batteries must be disposed of separately.

Disposal of the device



Do not dispose of this appliance in your normal domestic waste. This product is subject to the provisions of European Directive 2012/19/EU.

Dispose of the appliance through an approved disposal centre or at your community waste facility. Observe the currently applicable regulations. In a case of doubt, please contact your waste disposal centre.

Disposal of batteries/cells



Used batteries/cells may not be disposed of in house-hold waste. Every consumer is statutorily obliged to dispose of batteries at a collection site of his community/city district or at a retail store.

The purpose of this obligation is to ensure that batteries are disposed of in a non-polluting manner. Only dispose of batteries/cells when they are fully discharged.

To dispose of the appliance in an environmentally friendly manner you must remove the battery from the appliance.

⚠ Risk of electric shock!

Disconnect the appliance from the mains power supply when you remove the battery!

⚠ Attention! Damage to property!

Remove the battery from the appliance **ONLY** if you want to scrap/dispose of the appliance! The appliance is permanently defective after you have removed the battery!

1. Remove the dirt container **11** from the motor unit.
2. Undo the 4 cross-head screws on the side of the motor unit and the cross-head screw on the round grill on the motor unit.
3. You can now dismantle the motor unit.
4. Snip the 3 cables connecting the printed circuit board to the blue battery pack. You can now remove the battery.
5. Dispose of the battery in an environmentally friendly manner. Please observe the currently applicable regulations. Please contact your waste disposal centre if you are in any doubt.



Dispose of all packaging materials in an environmentally friendly manner.

Warranty and Service

The warranty for this appliance is for 3 years from the date of purchase. The appliance has been manufactured with care and meticulously examined before delivery.

Please retain your receipt as proof of purchase. In the event of a warranty claim, please make contact by telephone with our Service Department. Only in this way can a post-free despatch for your goods be assured.

The warranty covers only claims for material and manufacturing defects, but not for transport damage, for wearing parts or for damage to fragile components, e.g. buttons or batteries. This product is for private use only and is not intended for commercial use.

The warranty is void in the case of abusive and improper handling, use of force and internal tampering not carried out by our authorized service branch. Your statutory rights are not restricted in any way by this warranty.

The warranty period will not be extended by repairs made under warranty. This applies also to replaced and repaired parts. Any damage and defects extant on purchase must be reported immediately after unpacking the appliance, at the latest, two days after the purchase date. Repairs made after the expiration of the warranty period are subject to payment.

GB Service Great Britain

Tel.: 0871 5000 720 (£ 0.10/Min.)

E-Mail: kompernass@lidl.co.uk

IAN 96715

Hotline availability:

Monday to Friday 08:00 - 20:00 (CET)

Importer

KOMPERNASS HANDELS GMBH
BURGSTRASSE 21
44867 BOCHUM
GERMANY
www.kompernass.com

Tartalomjegyzék	Oldalszám
Rendeltetésszerű használat	10
Tartozékok	10
A készülék leírása	10
Fontos biztonsági utasítások	11
Műszaki adatok	13
Az első használat előtt	13
Az akkukra vonatkozó tájékoztató	13
A fali tartó felszerelése	13
Feltöltés	14
Működtetés	14
Tisztítás	15
Ártalmatlanítás	15
Garancia és szerviz	16
Gyártja	16

Li-ion akkus kézi porszívó

Gratulálunk!

Vásárlásával kiváló minőségű termék mellett döntött. Az összeszerelés és az üzembevetel előtt ismerkedjen meg a termékkel. Ehhez figyelmesen olvassa el az alábbi összeszerelési leírást és a biztonsági tudnivalókat. Csak a leírtak szerint és a megadott célokra használja a terméket. Őrizze meg ezt a leírást. A készülék harmadik személynek történő továbbadásaakor adja a termékhez valamennyi leírást is.

Rendeltetésszerű használat

A morzsaporszívót csak száraz vagy nedves felületek ill. száraz vagy nedves dolgok vagy folyadékok felszívására szabad használni. Nem szabad emberre vagy állatra irányítani. A készülék minden más felhasználása vagy átalakítása nem rendeltetésszerűnek minősül és balesetveszélyes. A gyártó nem vállal felelősséget olyan károkért, amelyek a nem rendeltetésszerű használat vagy a helytelen kezelés miatt keletkeztek.

A készülék nem alkalmas iparszerű használatra.

Tartozékok

Li-ion akkus kézi porszívó
réstisztító fúvóka
nedves szívófej
fali tartó
szerelőanyag
tápegység
Használati utasítás

Közvetlenül kicsomagolás után ellenőrizze a szállítás terjedelmét, hogy hiánytalan-e.

A készülék leírása

- 1 nedves szívófej
- 2 réstisztító szívófej
- 3 fali tartó
- 4 tápegység
- 5 csatlakozó
- 6 kapcsoló
- 7 töltést jelző ellenőrző lámpa
- 8 kireteszelő gomb
- 9 porszűrő tasak
- 10 porszűrő
- 11 szennyeződéstartó

Tudnivaló:

A készülék akkuja kiszállításkor nincsen feltöltve. A készülék első használata előtt 24 órán át fel kell tölteni őket.

Fontos biztonsági utasítások

⚠ *Életveszélyes áramütés elkerülése érdekében:*

- Ne töltsen ill. használja a készüléket a szabadban.
- A kézi porszívót soha ne használjuk, ha a vezeték, dugó vagy a külső burkolat meg van sérülve.
- A sérült hálózati kábelt vagy csatlakozót a veszély elkerülése érdekében azonnal cseréltesse ki szakemberrel.
- Csak szakemberrel végeztessen javítást. Semmi esetre se szerelje szét egymaga a készüléket. Az olyan beavatkozások, melyet nem szakértő cég végez, sérülést okozhatnak.
- A készülék bekapcsolása előtt győződjön meg arról, hogy a készülék műszaki adatain megjelölt feszültség megfelel-e a hálózati feszültségnek.
- Ne fogja meg a hálózati részt vagy a készüléket vizes vagy nedves kézzel.
- Ne használja a hálózati részt hosszabbítóval, hanem közvetlenül csatlakoztassa a konnektorba.

⚠ *A sérülésveszély elkerülése érdekében:*

- Ne cseréljen tartozékot a készüléken működés közben.
- Ne szippantson fel a morzsaporszívóval hegyes tárgyakat vagy üvegszilánkokat.
- Soha ne szippantson fel égő gyufát, parazsat vagy cigarettacsikket.
- Ne használja a morzsaporszívóval vegyi anyag, kőpor, gipsz, cement vagy más részecskeszerű anyag felporszívózására.
- A készülék nem alkalmas gyúlékony és robbanékony anyagok vagy vegyi és agresszív folyadék felporszívózására.
- A készüléket mindig zárt helyen tárolja. A balesetek elkerülése végett a készüléket használat után száraz helyen tárolja.
- Extrém körülmények között az elemek szivároghatnak. Ha a folyadék érintkezésbe kerül a bőrrel vagy a szembe jutna, az érintett testrészt azonnal öblítsük ki vagy öblítsük le tiszta vízzel. Forduljon orvoshoz.

- A készüléket 8 éves kor feletti gyermekek és csökkent fizikai, érzékszervi vagy mentális képességű vagy tapasztalattal, illetve tudással nem rendelkező személyek csak felügyelet mellett használhatják, vagy ha felvilágosították őket a készülék biztonságos használatáról és megértették az ebből eredő veszélyeket. Gyermekek nem játszhatnak a készülékkel. Tisztítást és a felhasználó által végzendő karbantartást felügyelet nélküli gyermekek nem végezhetnek.

Így cselekszik helyesen:

- Csak olyan tartozékokat használjon, amelyet a gyártó ajánl.
- A tápegységet nem szabad más célokra felhasználni. A fali tartót vagy a tápegységet soha ne a vezetéknél hordozza. Ne a kábelnél húzza meg a készüléket, ha arrébb szeretné tenni.
- Mindig a hálózati csatlakozónál fogva húzza ki a konnektorból a készüléket.
- Mindenképpen ügyeljen arra, hogy a morzsaporszívóval ne legyen fűtőtest, sütő vagy más forró készülék vagy felület közelében.
- Mindig ügyeljen rá, hogy a szellőzőnyílások szabadon legyenek. A levegőmozgás akadályoztatása a készülék felhevüléséhez és sérüléséhez vezethet.
- A termék újratölthető NiMH-akkumulátorokat tartalmaz. Ne dobja az akkukat tűzbe és ne tegye ki őket magas hőmérsékletnek. Robbanásveszély áll fenn!
- A kézi porszívó lépcsőn való használatakor legyen különösen körültekintő.
- Ne használja a morzsaporszívóval behelyezett porszűrő nélkül.
- A hálózati részt ne használja más készülékhez és ne próbálja meg ezt a készüléket másik töltőállomással feltölteni. Csak a csomagban található tápegységet használja!
- Ne próbáljon fel **nem újratölthető** elemet feltölteni.

Műszaki adatok

Tápegység ④

Bemeneti feszültség/

- áram: 100 - 240 V ~, 50/60 Hz
max. 300 mA

Kimeneti feszültség/

- áram: 9,6 V === / 300 mA

Védettségi osztály : II/□

Típusmegjelölés: SAS 7.4 LI A2-1

Készülék

Bemeneti feszültség 7,4 V ===

Akkuk

Kapacitás: 1300 mAh

Elem: 7,4 V
(2 x 3,7 V lítium ion akku)

Az első használat előtt

- Távolítsa el az összes csomagolóanyagot a készülékről, különösen a védősapkát a be-/ki-kapcsolóról ⑥.
- Helyezze a portartályt ① a motor egységre:
 - Tolja bele a műanyag büttyöt a kézi porszívó alján a portartály ① mélyedésébe.
 - Nyomja meg a kireteszelő gombot ③ és egyidejűleg tolja rá a portartályt ① a motor egységre.
 - Engedje el a kireteszelő gombot ③, hogy a retesz a mélyedésbe érjen. A portartály ① ekkor szorosan illeszkedik a motor egységre.

Az akkukra vonatkozó tájékoztató

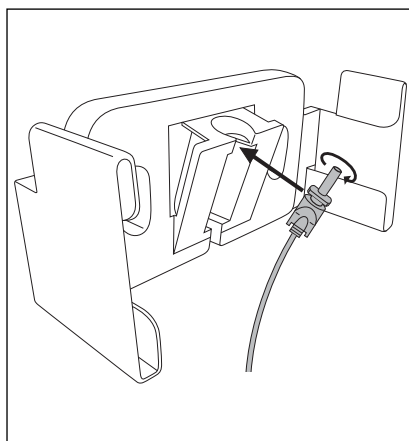
1. A morzsaporszívó újratölthető lítium ion akkuval üzemel.
Mielőtt a kézi porszívót először használná, legalább 24 órán át töltsé az akkukat.
2. Az akkuk teljes kapacitásukat 24 órás feltöltési idő után érik el. Az akkuk ápolásához az alábbiakat javasoljuk: csak akkor húzza ki a tápegységet ④ a konnektorból, ha fel vannak töltve az akkuk. Csak akkor dugja vissza a tápegységet ④ a konnektorba, ha a készülék szivóteljesítménye érezhetően alábbhagy.

A fali tartó felszerelése

⚠ **Életveszély!**

Győződjön meg arról, hogy a falon azon a helyen, ahova ki szeretné fúrni a tartóhoz ③ való lyukakat, nem húzódik villanyvezeték, másfajta vezeték vagy cső. Életveszélyes lehet, ha belefúr egy áramot vezető vezetékbe!

1. Dugja be a tápegység ④ csatlakozóját ⑤ az alábbi ábra alapján a fali tartóba ③.
A csatlakozót ⑤ elfordítva rögzítse.



2. Keressen a fali tartónak ❸ egy megfelelő helyet: a morzsaporszívót minden további nélkül ki kell tudni húzni belőle és a tápegységhez ❹ legyen egy konnector a közelben.
3. Fúrjon két lyukat egymástól kb. 68 mm távolságra. Használja a fali tartót ❸ a lyukak bejelölésére: így pontosan mérheti le a távolságot. A furatokat 5 mm-es dübelekhez fúrjuk ki.
4. Dugja a dübeleket a lyukakba és a csavarok segítségével csavarozza fel a fali tartót ❸.
5. A szívófejeket az oldalsó tartozéktartóra lehet feldugni.
6. Dugja be a tápegységet ❹ a konnectorba.

Feltöltés

❶ Tudnivaló:

Bizonyosodjon meg róla, hogy a Be-/Kikapcsoló gomb ❶ „0” helyzetben van-e, mielőtt megkezdéné a töltést.

- A morzsaporszívót fentről tegye be a fali tartóba ❸, hogy a csatlakozót ❹ a morzsaporszívón lévő aljzatba csússzon. A töltésellenőrző lámpa ❷ pirosan villog és a töltés megkezdődik.

⚠ Fontos:

- Ha a kézi porszívóban elég energia van szívni, a töltésjelző lámpa ❷ zölden világít. Ez nem jelenti azt, hogy az elemek teljesen fel vannak töltve. Ha a töltésjelző lámpa ❷ zölden világít, az elemek kb. 80%-ban fel vannak töltve.

- Ha a töltés befejeződött, mely teljesen üres akku esetén 5,5 - 6,5 óráig is eltarthat, a készülék magától fenntartó töltésre kapcsol át (ápolási funkció). Ennek ellenére ne hagyja a tápegységet ❹ mindig csatlakoztatva, mert így elromolhatnak az akkuk.
- Csak akkor töltse fel az akkut, ha a morzsaporszívó érezhetően gyengébben szív és a töltésellenőrző lámpa ❷ zölden villog.

❷ Tudnivaló:

A morzsaporszívót közvetlenül a tápegységen ❹ is lehet tölteni. Ehhez vegye ki a csatlakozót ❹ elcsavarva a fali tartóból ❸ és dugja a morzsaporszívón lévő aljzatba.

Működtetés

⚠ Figyelem!

A szívónyílás mindig legyen szabadon és ne legyen eldugulva. A dugulás túlhevüléshez és a motor sérüléséhez vezethet.

❷ Tudnivalók:

- Ügyeljen arra, hogy a porszűrő ❶ mindig be legyen helyezve, mielőtt használná a gépet.
- Legfeljebb csak annyi folyadékot szívjon fel, amíg a szennytartály ❶ a MAX jelölésig nem töltődik fel.

1. Vegye le a morzsaporszívót a fali tartóról ❸ vagy ha nem használja a fali tartót ❸, húzza ki a csatlakozót ❹ az aljzatból.
2. Ha szeretné, tegye a megfelelő szívófejet a szívónyílásra:
 - a réstisztító szívófejet ❷, ha szűk, vagy nagyon nehezen elérhető helyet tisztít.
 - a nedves szívófejet ❶, ha folyadékot szeretne felszívni.

i Tudnivaló:

A folyadék felszívása után azonnal tisztítsa ki a portartályt **11**. Különböző baktériumok és bacilusok keletkezhetnek! Ügyeljen arra, hogy a porszűrő csak **9** mindig teljesen száraz legyen, mielőtt újra használná a készüléket.

3. A készülék bekapcsolásához nyomja előre a be-/kikapcsoló gombot **6**. A töltésellenőrző lámpa **7** zölden villan fel.

4. Használat után tolja hátra a be-/kikapcsoló gombot **6**.

i Tudnivaló:

Helyezze a morzsaporszívót a fali tartóba **4** és akkor kezdje a töltést, ha a morzsaporszívó érezhetően gyengébben szív és a töltésellenőrző lámpa **7** zölden villog.

Tisztítás

A legjobb eredmény elérése érdekében ürítse ki a portartályt **11** és tisztítsa meg a porszűrőt **10** minden használat után.

⚠ Fontos:

Ne használjon súroló, maró vagy vegyi tisztítószerkeket, mert az kárt tehet a készülék felületében.

1. Ha ki szeretné nyitni a portartályt **11**, nyomja meg a kireteszelő gombot **8** és vegye ki a portartályt **11**.
2. Vegye ki a porszűrőt **10** a portartályból **11**.
3. Ürítse ki a portartályt **11**.
4. A porszűrő zsákokat **9** a tartóval együtt húzza ki a porszűrőből **10**.
5. Hideg vízzel öblítse ki a porszűrő zsákokat **9** és várja meg, amíg teljesen megszárad, mielőtt újra betenné a porszűrőbe **10**. Ne szárítsa forró levegőn.

6. Helyezze vissza a porszűrőt **10** a portartályba **11**. Ügyeljen arra, hogy a porszűrő **10** egyenesen legyen és a portartály **11** gumiszegély záródjon.
7. Helyezze vissza a portartályt **11** a motor egységre:
 - Tolja a morzsaporszívó alján lévő műanyag fület a portartályon **11** lévő mélyedésbe.
 - Nyomja meg a kireteszelő gombot **8** és egyszerre tolja a portartályt **11** a motor egységre.
 - Engedje el a kireteszelő gombot **8**, hogy a retesz a mélyedésbe érjen. A portartályt **11** ekkor szorosan illeszkedik a motor egységre.
8. A készülékházat és a két szívófejet kissé megnedvesített ronggyal tisztítsa. Makacs szennyeződések esetén tegyen enyhe tisztítószerrel a megnedvesített kendőre.
9. Alaposan szárítson meg valamennyi alkatrészt, mielőtt újra használná vagy eltenné a helyére.

Ártalmatlanítás

A készüléket és az akkut egymástól külön ártalmatlanítsa.

A készülék ártalmatlanítása



Semmi esetre se dobja a készüléket a háztartási hulladékba. Ez a termék a 2012/19/EU európai irányelv hatálya alá tartozik.

A készüléket engedélyezett hulladékgyűjtő helyen vagy a helyi hulladéktávallító üzemnél tudja kidobni.

Vegye figyelembe az érvényben lévő idevonatkozó előírásokat.

Ha kérdése merülne fel, vegye fel a kapcsolatot a hulladékfeldolgozó vállalattal.

Az elemek/akkuk ártalmatlanítása



Az elemeket/akkukat nem szabad a háztartási hulladékba dobni. Valamennyi felhasználó törvényes kötelessége az elemeket és akkukat városa ill. városrésze gyűjtőhelyén vagy a kereskedelemben leadni.

Ez a kötelezettség azt a célt szolgálja, hogy az elemek/akkuk környezetkímélő ártalmatlanításra kerülhessenek. Az elemeket és akkukat csak lemerült állapotban adják le.

Ha környezetbarát módon szeretné ártalmatlanítani a készüléket, előtte vegye ki az akkut a készülékből.

⚠ Áramütés veszélye!

Válassza le a készüléket az áramhálózatról, ha kiveszi az akkut!

⚠ Figyelem! Anyagi kár veszélye!

Csak akkor vegye ki az akkut a készülékből, ha ártalmatlanítani szeretné/ki szeretné selejtezni a készüléket! A készülék elromlik, ha kiveszi belőle az akkut!

1. Vegye le a porgyűjtő tartályt **11** a motorblokkról.
2. Lazítsa meg a 4 keresztornyos csavart a motorblokk oldalán és a keresztornyos csavart a kerek rácson, a motorblokkon.
3. Ezt követően szétszedheti a motorblokkot
4. Csípjé át a 3 kábelt, amelyek az alaplapot a kék burkolatú akkuval összekötik. Ezután eltávolíthatja az akkut.
5. Környezetbarát módon ártalmatlanítsa az akkut. Vegye figyelembe az érvényben lévő előírásokat. Ha bizonytalan, vegye fel a kapcsolatot a hulladékkezelővel.



Valamennyi csomagolóanyagot juttasson el a környezetbarát hulladékhasznosítóhoz.

Garancia és szerviz

A készülékre 3 év garanciát adunk a vásárlás dátumától számítva. A készüléket gondosan gyártottuk, és szállítás előtt lelkiismeretesen ellenőriztük.

Kérjük, a vásárlás igazolására őrizze meg a pénztári blokkot. Kérjük, garanciaigény esetén vegye fel a kapcsolatot telefonon az Ön közelében lévő szervizzel. Csak ebben az esetben garantálhatjuk, hogy ingyen tudja beküldeni az árut.

A garancia csak anyag- és gyártási hibára vonatkozik, nem pedig szállítási kárra, kopásra vagy törekeny részek (pl. kapcsoló vagy elem) sérülésére. A termék kizárólag magánhasználatra, nem üzleti használatra készült.

A garancia érvényét veszti visszaélészerű vagy szakavatatlan kezelés, erőszak alkalmazása vagy olyan beavatkozások esetén, amelyeket nem engedélyezett szervizelő üzleteink hajtottak végre. Az ön törvényes jogait ez a garancia nem korlátozza. A garanciaidő nem hosszabbodik a jótállással. Ez a kicserélt vagy javított alkatrészekre is érvényes. Az esetlegesen már a megvételkor meglévő károkat és hiányosságokat azonnal kicsomagolás után, legkésőbb két nappal a vétel dátumától számítva jelezni kell. A garanciális idő lejártá után esedékes javítások térítéskötelesek.

Ⓗ Szerviz Magyarország

Tel.: 0640 102785

E-Mail: kompernass@lidl.hu

IAN 96715

Az ügyfélszolgálati forródrót elérhetősége:

hétfőtől péntekig 8.00 és 20.00 óra között
(közép-európai idő szerint)

Gyártja

KOMPERNASS HANDELS GMBH
BURGSTRASSE 21
44867 BOCHUM
GERMANY
www.kompernass.com

Kazalo vsebine	Stran
Predvidena uporaba	18
Vsebina kompleta	18
Opis naprave	18
Pomembni varnostni napotki	19
Tehnični podatki	21
Pred prvo uporabo	21
Informacije o akumulatorjih	21
Montaža stenskega držala	21
Polnjenje	22
Uporaba	22
Čiščenje	23
Odstranitev	23
Proizvajalec	24
Servis	24
Garancijski list	24

Litij-ionski akumulatorski ročni sesalnik

Iskrene čestitke ob nakupu vaše nove naprave. Odločili ste se za kakovosten izdelek. Ta navodila za uporabo so sestavni del vašega izdelka. Vsebujejo pomembne napotke za njegovo varnost, uporabo in odstranitev. Preden izdelek začnete uporabljati, si preberite vse napotke za njegovo varno uporabo. Izdelek uporabljajte samo na opisani način in le za navedena področja uporabe. Ob predaji naprave tretji osebi zraven priložite tudi vso dokumentacijo.

Predvidena uporaba

Baterijski ročni sesalnik se sme uporabljati samo za sesanje suhih ali mokrih površin oziroma suhih ali mokrih materialov za sesanje in tekočin. Ljudi ali živali se s to napravo ne sme posesati. Vsaka druga vrsta uporabe ali sprememba naprave velja za nepredvideno in pomeni bistveno nevarnost nezgod. Proizvajalec ne odgovarja za škodo, ki bi nastala zaradi nepredvidene ali napačne uporabe. Naprava ni predvidena za obrtno uporabo.

Vsebina kompleta

Litij-ionski akumulatorski ročni sesalnik
Šoba za reže
Šoba za moko sesanje
Stensko držalo
Montažni material
Omrežni napajalnik
Navodila za uporabo

Takoj po razpakiranju preverite celotnost vsebine kompleta.

Opis naprave

- 1 Šoba za moko sesanje
- 2 Šoba za reže
- 3 Stensko držalo
- 4 Omrežni napajalnik
- 5 Votli vtič
- 6 Stikalo za vklop/izklop
- 7 Kontrolna lučka polnjenja
- 8 Tipka za sprostitvev
- 9 Vrečka filtra za prah
- 10 Filter za prah
- 11 Zbiralnik umazanije

Napotek:

Naprava se dobavi s praznimi akumulatorji. Pred prvo uporabo je akumulatorje najprej treba polniti 24 ur.

Pomembni varnostni napotki

⚠ Da se izognete smrtni nevarnosti zaradi električnega udara:

- Naprave ne polnite ali uporabljajte na prostem.
- Ročnega sesalnika nikoli ne uporabljajte, če so kabel, vtič ali ohišje poškodovani.
- Poškodovane omrežne vtiče ali omrežne kable naj vam takoj zamenja pooblaščen strokovno osebje, da se izognete nevarnosti.
- Napravo dajte v popravilo ustreznemu strokovnemu servisu. Naprave nikoli ne odpirajte sami. Posegi, ki jih ni izvedlo strokovno podjetje, lahko privedejo do poškodb.
- Pred vklopom naprave se prepričajte, da napetost, navedena v tehničnih podatkih naprave, odgovarja omrežni napetosti.
- Omrežnega napajalnika ali naprave nikoli ne prijemajte z mokrimi rokami.
- Omrežnega napajalnika ne uporabljajte s podaljškom za kabel, temveč omrežni napajalnik neposredno priključite v vtičnico.

⚠ Preprečevanje nevarnosti poškodb:

- Med delovanjem naprave ne zamenjajte delov pribora.
- Ročnega sesalnika ne uporabljajte za sesanje ostrih predmetov ali črepinj.
- Nikoli ne sesajte gorečih vžigalic, tlečega pepela ali cigaretnih ogorkov.
- Ročnega sesalnika ne uporabljajte za sesanje kemičnih izdelkov, kamnitega praha, mavca, cementa ali drugih podobnih delcev.
- Naprava ni primerna za vnetljive in eksplozivne snovi ali kemične in agresivne tekočine.
- Napravo zmeraj hranite v zaprtih prostorih. Za preprečevanje nezgod napravo po uporabi shranite na suhem kraju.
- Pod ekstremnimi pogoji lahko pride do nastanka mest puščanja na celicah akumulatorja. Ob stiku tekočine s kožo ali očmi je treba prizadeto mesto takoj splahniti s čisto vodo. Pojdite k zdravniku.

- Otroci od 8 let starosti naprej in osebe z zmanjšanimi fizičnimi, zaznavnimi ali duševnimi sposobnostmi ali s pomanjkljivimi izkušnjami in znanjem to napravo lahko uporabljajo le, če jih pri tem nekdo nadzoruje ali jih je poučil o varni uporabi naprave in so razumeli nevarnosti, ki izhajajo iz uporabe naprave. Otroci se ne smejo igrati z napravo. Otroci tudi ne smejo naprave čistiti ali vzdrževati kot uporabniki, če pri tem niso pod nadzorom.

Tako ravnate varno:

- Uporabljajte samo dele pribora, ki jih priporoča proizvajalec.
- Omrežni napajalnik se ne sme uporabljati za druge namene. Stenskega držala ali omrežnega napajalnika nikoli ne prenašajte z držanjem za kabel. Ne vlecite za kabel, če napravo želite premakniti.
- Zmeraj primite za omrežni vtič, da napravo ločite od oskrbe s tokom.
- Nujno pazite, da ročnega sesalnika ne odložite poleg radiatorjev, peči ali drugih segrelih naprav ali površin.
- Zmeraj preverite, ali so prezračevalne reže proste. Blokiran krogotok zraka lahko privede do pregretja in poškodbe naprave.
- Ta izdelek vsebuje akumulatorje za polnjenje. Akumulatorjev ne vrzite v ogenj in jih ne izpostavljajte visokim temperaturam. Obstaja nevarnost eksplozije!
- Bodite še posebej pozorni, ko ročni sesalnik uporabljate na stopnicah.
- Ročnega sesalnika ne uporabljajte brez vstavljenega filtra za prah.
- Omrežnega napajalnika ne uporabljajte za kakšen drug proizvod in ne poskušajte te naprave polniti z drugo polnilno postajo. Uporabljajte samo omrežni napajalnik, priložen tej napravi.
- Nikoli ne poskušajte polniti **baterij, ki niso namenjene za polnjenje.**

Tehnični podatki

Omrežni napajalnik ④

Vhodna napetost/

- tok: 100 - 240 V ~, 50/60 Hz
najv. 300 mA

Izhodna napetost/

- tok: 9,6 V === / 300 mA

Razred zaščite: II/ □

Oznaka tipa: SAS 7.4 LI A2-1

Naprava

Vhodna napetost 7,4 V ===

Akumulatorji

Kapaciteta: 1300 mAh

Akumulator: 7,4 V
(2 x 3,7 V litijev akumulator)

Pred prvo uporabo

- Z naprave odstranite ves embalažni material, še posebej zaščitni pokrov nad stikalom za vklop/izklop ⑥.
- Na motorni blok namestite zbiralnik umazanije ①:
 - Plastični nastavek na spodnji strani ročnega sesalnika potisnite v odprtino na zbiralniku umazanije ①.
 - Pritisnite tipko za sprostitvev ⑧ in istočasno potisnite zbiralnik umazanije ① na motorni blok.
 - Tipko za sprostitvev ⑧ spustite, tako da se zapora namesti v odprtino. Zbiralnik umazanije ① je sedaj trdno pritrjen na motorni blok.

Informacije o akumulatorjih

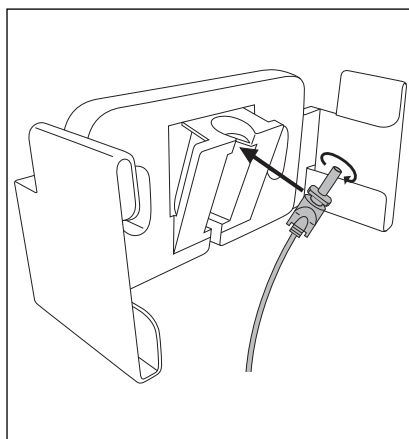
1. Ročni sesalnik za prah se napaja z litijevimi akumulatorji, ki se lahko ponovno napolnijo. Preden ročni sesalnik uporabite prvič, morate akumulatorje polniti najmanj 24 ur.
2. Akumulatorji svojo polno kapaciteto dosežejo po času polnjenja 24 ur. Za vzdrževanje akumulatorjev vam priporočamo naslednje: ko so ti napolnjeni, omrežni napajalnik ④ potegnite iz omrežne vtičnice. Omrežni napajalnik ④ v omrežno vtičnico priključite šele, ko se sesalna moč naprave bistveno zmanjša.

Montaža stenskega držala

⚠ Smrtna nevarnost!

Zagotovite, da se v steni ne nahajajo električni kablji ali druge napeljave ter cevi, in sicer na mestu, kjer želite izvrtati luknje za stensko držalo ③. Če navrtate električno napeljavo pod tokom, s tem povzročite smrtno nevarnost!

1. Vstavite votli vtič ⑤ omrežnega napajalnika ④ v stensko držalo ③, kot je prikazano na spodnji sliki. Votli vtič ⑤ pritrdite, tako da ga zasukate.



2. Za stensko držalo **3** poiščite primerno mesto za montažo: pomembno je, da ročni sesalnik lahko brez težav potegnete iz držala, za omrežni napajalnik **4** pa mora biti v bližini na razpolago dostopna omrežna vtičnica.
3. Izvrtajte dve luknji v razdalji ca. 68 mm. Uporabite stensko držalo **3** za zarisovanje lukenj: tako je razdalja pravilno določena. Izvrtati morate dve luknji, primerni za 5mm stenske vložke.
4. Stenske vložke vtaknite v izvrtine in stensko držalo **3** privijte s pomočjo vijakov.
5. Šobe lahko nataknete na stranska držala za pripor.
6. Vtaknite omrežni napajalnik **4** v omrežno vtičnico.

Polnjenje

i **Napotek:**

Prepričajte se, da je stikalo za vklop/izklop **6** potisnjeno nazaj (v položaj „0“), preden začnete s polnjenjem.

- Ročni sesalnik za prah od zgoraj vstavite v stensko držalo **3**, tako da votli vtič **5** zdrsne v vtičnico na ročnem sesalniku.
- Kontrolna lučka polnjenja **7** zasveti rdeče in postopek polnjenja se začne.

A **Pomembno:**

- Ko ima ročni sesalnik spet dovolj energije za sesanje, kontrolna lučka polnjenja **7** sveti zeleno. To ne pomeni, da so akumulatorji dokončno napolnjeni. Ko kontrolna lučka polnjenja **7** zasveti zeleno, so akumulatorji napolnjeni do pribl. 80 %.

- Ko je postopek polnjenja zaključen, ta lahko pri popolnoma praznih akumulatorjih traja od pribl. 5 ur, potem se naprava samodejno preklopi v način ohranjanja polnitve (funkcija nege). Vseeno naprave ne puščajte trajno priključene na omrežnem napajalniku **4**, da se izognete morebitnim poškodbam akumulatorjev.
- Akumulatorje ponovno napolnite šele, ko sesalna zmogljivost ročnega sesalnika za prah postane opazno šibkejša in kontrolna lučka polnjenja **7** utripa zeleno.

i **Napotek:**

Ročni sesalnik lahko polnite tudi neposredno s pomočjo omrežnega napajalnika **4**. V ta namen votli vtič **5** z rahlim obratom odstranite iz stenskega držala **3** in ga vtaknite v vtičnico na ročnem sesalniku.

Uporaba

A **Pozor!**

Sesalna odprtina mora biti ves čas prosta in ne sme biti zamašena. Zamašitve privedejo do pregretja in poškodbe motorja.

i **Napotki:**

- Pazite na to, da je filter za prah **10** zmeraj vstavljen, preden napravo uporabite.
- Posesajte samo toliko tekočine, da je zbiralnik umazanije **11** napolnjen največ do oznake MAX.

1. Ročni sesalnik vzemite iz stenskega držala **3**, oziroma, če stenskega držala **3** ne uporabljate, votli vtič **5** potegnite iz vtičnice.
2. Po želji vstavite primerno šobo v sesalno odprtino:
 - šobo za reže **2** za čiščenje tesnih, nedostopnih mest.
 - šobo za mokro sesanje **1** za sesanje tekočin.

i Napotek:

Potem ko ste posesali tekočine, takoj očistite zbiralnik umazanije **11**. Drugače pride do razvoja bakterij in klic! Pazite na to, da je vrečka filtra za prah **9** popolnoma suha, preden napravo začnete ponovno uporabljati.

3. Za vklop naprave potisnite stikalo za vklop/izklop **6** naprej. Kontrolna lučka polnjenja **7** zasveti zeleno.
4. Po uporabi stikalo za vklop/izklop **6** potisnite nazaj.

i Napotek:

Ročni sesalnik za prah namestite v stensko držalo **4** in začnete s postopkom polnjenja, ko sesalna zmogljivost postane opazno šibkejša in kontrolna lučka polnjenja **7** utripa zeleno.

Čiščenje

Za najboljše rezultate zbiralnik umazanije **11** spraznite in očistite filter za prah **10** po vsaki uporabi.

⚠ Pomembno:

Za čiščenje ne uporabljajte nobenih agresivnih, kemičnih ali ostrih sredstev. Taka sredstva poškodujejo površino naprave.

1. Za odpiranje zbiralnika umazanije **11** pritisnite tipko za sprostitvev **8** in zbiralnik umazanije **11** odstranite.
2. Filter za prah **10** vzemite iz zbiralnika umazanije **11**.
3. Zbiralnik umazanije **11** spraznite.
4. Potegnite vrečko filtra za prah **9** s pripadajočim držalom iz filtra za prah **10**.
5. Vrečko filtra za prah **9** splahnite v mrzli vodi in počakajte, da se v celoti posuši, preden jo ponovno vstavite v filter za prah **10**. Vrečke ne sušite z vročim zrakom.

6. Filter za prah **10** ponovno vstavite v zbiralnik umazanije **11**. Pazite na to, da je filter za prah **10** vstavljen ravno in da gumijast rob zatesni zbiralnik umazanije **11**.
7. Zbiralnik umazanije **11** ponovno namestite na motorni blok:
 - Potisnite plastični nastavek na spodnji strani ročnega sesalnika v odprtino na zbiralniku umazanije **11**.
 - Pritisnite tipko za sprostitvev **8** in istočasno potisnite zbiralnik umazanije **11** na motorni blok.
 - Tipko za sprostitvev **8** spustite, tako da zapora seže v odprtino. Zbiralnik umazanije **11** je sedaj trdno pritrjen na motorni blok.
8. Ohišje in obe šobi očistite z rahlo navlaženo krpo. V primeru trdovratne umazanije na krpo dajte še blago sredstvo za čiščenje.
9. Vse dele temeljito obrišite, preden napravo ponovno uporabite ali shranite.

Odstranitev

Napravo in akumulatorsko baterijo morate odstraniti ločeno drugo od druge.

Odstranitev naprave med odpadke



Naprave nikakor ne odvrzite v običajne hišne smeti. Za ta izdelek velja evropska direktiva 2012/19/EU.

Napravo oddajte pri podjetju, registriranem za predelavo odpadkov, ali pri svojem komunalnem podjetju za predelavo odpadkov.

Upoštevajte trenutno veljavne predpise.

V primeru dvoma se obrnite na svoje podjetje za predelavo odpadkov.

Odstranitev baterij in akumulatorjev



Baterij/akumulatorjev ne smete odvreči v hišne smeti. Vsak potrošnik je po zakonu dolžan, baterije/akumulatorje oddajati na ustreznem zbirališču v svoji občini/četrti ali v trgovini.

Ta obveza služi temu, da se baterije/akumulatorji lahko oddajo za okolju prijazno odstranjevanje.

Baterije/akumulatorje oddajajte le v izpraznjenem stanju.

Da bi napravo lahko oddali za okoljsko primerno odstranitev, morate iz nje vzeti akumulatorsko baterijo.

⚠ Nevarnost električnega udara!

Napravo izklopite iz električnega omrežja, preden iz nje začnete odstranjevati akumulatorsko baterijo!

⚠ Pozor! Materialna škoda!

Akumulatorsko baterijo vzemite iz naprave le, če napravo želite odstraniti/oddati na odpadku!

Naprava je pokvarjena, če akumulatorsko baterijo odstranite!

1. Snemite zbiralnik umazanije **1** z motornega bloka.
2. Odvijte 4 križne vijake ob strani motornega bloka in križni vijak na okrogli rešetki na motornem bloku.
3. Motorni blok sedaj lahko razstavite.
4. Preščipnite 3 kable, ki povezujejo ploščo z vezjem z akumulatorsko baterijo z modrim ovojem. Akumulatorsko baterijo sedaj lahko odstranite.
5. Akumulatorsko baterijo odstranite na okoljsko primeren način. Upoštevajte trenutno veljavne predpise. V primeru dvoma se obrnite na najbližje podjetje za odstranjevanje odpadkov.



Embalazo oddajte za okolju primerno odstranitev.

Proizvajalec

KOMPERNASS HANDELS GMBH
BURGSTRASSE 21
44867 BOCHUM
GERMANY
www.kompernass.com

Servis

SI Servis Slovenija

Tel.: 080080917

E-Mail: kompernass@lidl.si

IAN 96715

Dosegljivost telefonske službe za stranke:

Od ponedeljka do petka od 8:00 do 20:00
(po srednjeevropskem času)

Garancijski list

1. S tem garancijskim listom jamčimo Kompernass Handels GmbH, da bo izdelek v garancijskem roku ob normalni in pravilni uporabi brezhibno deloval in se zavezuje, da bomo ob izpolnitvi spodaj navedenih pogojev odpravili morebitne poma-njkljivosti in okvare zaradi napak v materialu ali izdelavi oz. po svoji presoji izdelek zamenjali ali vrnili kupnino.
2. Garancija je veljavna na ozemlju Republike Slovenije.
3. Garancijski rok za proizvod je 3 leta od dneva nabave.
4. Kupec je dolžan okvaro javiti pooblaščenemu servisu oz. se informirati o nadaljnjih postopkih na zgoraj navedeni telefonski številki. Svetujemo vam, da pred tem natančno preberete navodila o sestavi in uporabi izdelka.
5. Kupec je dolžan pooblaščenemu servisu predložiti garancijski list in račun, kot potrdilo in dokazilo o nakupu.

6. V primeru, da proizvod popravlja nepooblaščen servis ali oseba, kupec ne more uveljavljati zahtevkov iz te garancije.
7. Vzroki za okvaro oz. nedelovanje izdelka morajo biti lastnosti stvari same, in ne vzroki, ki so zunaj proizvajalčeve oz. prodajalčeve sfere. Kupec ne more uveljavljati zahtevkov iz te garancije, če se ni držal priloženih navodil za sestavo in uporabo izdelka ali, če je izdelek kakorkoli spremenjen ali nepravilno vzdrževan.
8. Jamčimo servisiranje in rezervne dele za minimalno dobo, ki je zahtevana s strani zakonodaje.
9. Obrabni deli oz. potrošni material so izvzeti iz garancije.
10. Vsi potrebni podatki za uveljavljanje garancije se nahajajo na dveh ločenih dokumentih (garancijski list, račun).
11. Ta garancija proizvajalca ne izključuje pravic potrošnika, ki izhajajo iz odgovornosti prodajalca za napake na blagu.

Prodajalec:

Lidl d.o.o.k.d., Pod lipami 1, SI-1218 Komenda

Obsah	Strana
Účel použití	28
Obsah dodávky	28
Popis přístroje	28
Důležitá bezpečnostní upozornění	29
Technické údaje	31
Před prvním uvedením do provozu	31
Informace k akumulátorům	31
Montáž držáku na stěnu	31
Nabíjení	32
Obsluha	32
Čištění	33
Likvidace	33
Záruka a servis	34
Dovozce	34

Ruční vysavač

Gratuluje Vám k zakoupení nového přístroje. Vaším nákupem jste si vybrali kvalitní výrobek. Návod k obsluze je součástí tohoto výrobku. Obsahuje důležité pokyny a upozornění ohledně bezpečnosti, použití a likvidace. Před použitím výrobku si dobře přečtěte provozní a bezpečnostní pokyny. Výrobek používejte pouze předepsaným způsobem a v uvedených oblastech použití. Při předávání výrobku třetím osobám předávejte i tyto podklady.

Účel použití

Ruční aku vysavač se smí používat k vysávání suchých nebo mokrých povrchů resp. pro suché nebo mokré odsávání nebo kapalin. Prach z lidí a zvířat se nesmí tímto přístrojem vysávat. Jakékoli jiné použití nebo úprava přístroje jsou zakázány a představují závažné nebezpečí poranění. Výrobce neodpovídá za škody vzniklé použitím k jinému účelu nebo za škody vzniklé nesprávnou obsluhou.

Přístroj není určen pro průmyslové použití.

Obsah dodávky

Ruční vysavač
Spárová hubice
Nasávací hubice zamokra
Držák na stěnu
Montážní materiál
Síťový adaptér
Návod k obsluze

Ohledně obsahu dodávky ihned po vybalení zkontrolujte rozsah dodávky na kompletnost.

Popis přístroje

- 1 nasávací hubice zamokra
- 2 hubice
- 3 držák na stěnu
- 4 síťový adaptér
- 5 nástrčná zástrčka
- 6 přepínač zap/vyp
- 7 kontrolka nabití
- 8 uvolňovací tlačítko
- 9 sáček pro prachový filtr
- 10 prachový filtr
- 11 nádoba na nečistoty

Poznámka:

Přístroj se dodává s nenabitými akumulátory. Před prvním použitím přístroje se akumulátory nejprve musí 24 hodin nabíjet.

Důležitá bezpečnostní upozornění

⚠ Abyste zabránili nebezpečí ohrožení života elektrickým proudem:

- Nenabíjejte, resp. nepoužívejte přístroj venku.
- Ruční vysavač nikdy nepoužívejte, je-li poškozen kabel, zástrčka nebo tělo přístroje.
- Poškozenou napájecí zástrčku nebo napájecí kabel nechte okamžitě vyměnit autorizovaným odborným personálem, aby se tak zabránilo nebezpečí.
- Opravy nechte provádět pouze odbornou firmou. Za žádných okolností přístroj neotvírejte. Zásahy a opravy, které nebyly prováděny odbornou firmou, mohou vést ke zranění.
- Před zapnutím přístroje se sami přesvědčte o tom, zda napětí, uvedené v technických údajích přístroje, odpovídá napětí ve Vaší síti.
- Nedotýkejte se adaptéru nebo přístroje mokřýma nebo vlhkýma rukama.
- Nepoužívejte adaptér s prodlužovacím kabelem, spojte adaptér přímo se zásuvkou.

⚠ Abyste se vyhnuli nebezpečí poranění:

- Nevyměňujte příslušenství na přístroji, dokud je vysavač v provozu.
- Nepoužívejte ruční vysavač k vysávání špičatých předmětů nebo skleněných střepů.
- Nikdy nevysávejte hořící zápalky, žhavý popel nebo cigaretové nedopalky.
- Nepoužívejte ruční vysavač k vysávání chemických produktů, kamenného prachu, sádry, cementu nebo jiných podobných částic.
- Přístroj není vhodný pro vysávání hořlavých a výbušných látek a ani pro vysávání chemických a žíravých kapalin.
- Přístroj uchovávejte vždy v uzavřených místnostech. Abyste zabránili nehodám, uchovávejte přístroj po použití na suchém místě.
- Za extrémních podmínek mohou akumulátorové články vytéct. Při zasažení očí nebo kůže kapalinou musí být zasažené místo ihned vypláchnuto, resp. opláchnuto čistou vodou. Vyhledejte lékaře.

- Děti od 8 let a osoby s omezenými fyzickými, smyslovými nebo mentálními schopnostmi či nedostatkem zkušeností a znalostí mohou používat tento přístroj pouze tehdy, pokud jsou pod dohledem nebo pokud byly poučeny o bezpečném používání přístroje a pokud porozuměly z toho vyplývajícím nebezpečím. Děti si nesmí hrát s přístrojem. Čištění a uživatelskou údržbu nesmí provádět děti bez dozoru.

Bezpečnostní pokyny:

- Používejte jen příslušenství doporučené výrobcem.
- Napájecí adaptér se nesmí používat pro jiné účely. Držák an stěnu nebo napájecí část nikdy nenoste na kabelu. Chcete-li přístroj přemístit, nikdy jej netahajte za kabel.
- Chcete-li přístroj odpojit od napájení, uchopte zástrčku a vytáhněte ji ze zásuvky.
- Bezpodmínečně dbejte na to, abyste ruční vysavač neodstavili vedle topných těles, pečících trub nebo jiných zahřátých spotřebičů nebo ploch.
- Dbejte na to, aby větrací šěrby byly stále volné. Zablockovaný oběh vzduchu může vést k přehřátí a poškození přístroje.
- Tento výrobek obsahuje znovunabíjecí akumulátory. Neodhazujte akumulátory do ohně a nevystavujte je vysokým teplotám. Hrozí nebezpečí výbuchu!
- Postupujte velmi opatrně, používáte-li vysavač na schodech.
- Nepoužívejte vysavač bez nasazeného prachového filtru.
- Nepoužívejte adaptér pro jiný výrobek a nepokoušejte se nabíjet tento přístroj jinou nabíječkou. Používejte pouze napájecí adaptér dodaný s tímto přístrojem.
- Nikdy se nepokoušejte **opět nabíjet** nenabíjecí akumulátory.

Technické údaje

Síťový adaptér ④

Vstupní napětí/výstupní

proud: 100 - 240 V ~, 50/60 Hz
max. 300 mA

Výstupní napětí/výstupní

proud: 9,6 V === / 300 mA

Třída ochrany: II/□

Označení typu: SAS 7.4 LI A2-1

Přístroj

Vstupní napětí/výstupní 7,4 V ===

Akumulátory

Kapacita: 1300 mAh

Baterie: 7,4 V
(2 x 3,7 V lithium-ionový
akumulátor)

Před prvním uvedením do provozu

- Odstraňte z přístroje veškerý obalový materiál, zvláště ochrannou krytku na zapínači/vypínači ⑥.
- Nasadíte nádobu na nečistoty ① na motorový blok:
 - Posuňte plastový výstupek na spodní straně ručního vysavače do vyhloubeniny na nádobě na nečistoty ①.
 - Stiskněte odblokovací tlačítko ③ a současně nasuňte nádobu na nečistoty ① na motorový blok.
 - Odblokovací tlačítko ③ pusťte, aby západka mohla zapadnout do vyhloubeniny. Nádoba na nečistoty ① sedí nyní pevně na motorovém bloku.

Informace k akumulátorům

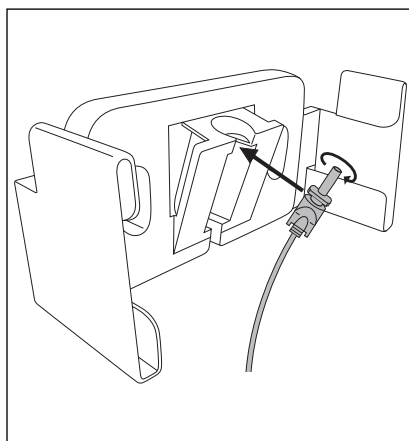
1. Ruční vysavač je napájen dobíjecím lithium-iontovým akumulátorem.
Než použijete ruční vysavač poprvé, musí se akumulátory nabíjet alespoň 24 hodin.
2. Akumulátory dosáhnou svou plnou kapacitu po době nabíjení 24 hodin. K péči akumulátorů doporučujeme následující: Poté, co jsou akumulátory úplně nabitě, vytáhněte napájení ④ z elektrické zásuvky. Napájení ④ zastrčte opět do elektrické zásuvky až tehdy, když citelně poklesne sací výkon přístroje.

Montáž držáku na stěnu

⚠ Nebezpečí života!

Ujistěte se, zda se ve stěně, do které chcete navrtat díry pro držák na stěnu ③ nenachází žádná elektrická vedení nebo jiná vedení či potrubí. Hrozí nebezpečí života, jestliže navrtáte vedení ,vedoucí proud!

1. Zastrčte nástrchnou zástrčku ⑤ napájecího adaptéru ④ do držáku na stěnu ③ tak, jak je znázorněno na následujícím obrázku. Nástrchnou zástrčku ⑤ upevněte zakroucením.



2. Vyhleďte vhodné místo pro montáž držáku na stěnu ❸: Ruční vysavač se musí dát z něj snadno vytáhnout a elektrická zásuvka musí být dostupná pro napájecí adaptér ❹.
 3. Vyrvejte dva otvory ve vzdálenosti cca 68 mm. K označení děr využijte nástěnný držák ❸: Tím zajistíte jejich správné rozměření. Díry se musí vhodně vyvrtat pro 5 mm hmoždinky.
 4. Zastrčte hmoždinky do vyvrtaných děr a zašroubujte nástěnný držák ❸ pomocí šroubů napevno.
 5. Trysky a hubice můžete také nastrčit na boční držák příslušenství.
 6. Zastrčte napájecí adaptér ❹ do elektrické zástrčky.
- Po dokončení nabíjení, které při úplném vybití akumulátoru může trvat cca. 5 hodiny, se přístroj automaticky přepne na dobíjení (udržovací funkce). Pro zabránění případného poškození nenechávejte přesto přístroj trvale zapojen do napájecího adaptéru ❹.
 - Akumulátory nabíjete až poté, když se znatelně sníží sání vysavače a kontrolka nabíjení ❷ bliká zeleně.

❶ Poznámka:

Ruční vysavač lze také nabíjet přímo napájecím adaptérem ❹. Vytáhněte k tomu nástrčnou zástrčku ❺ lehkým pootočením z nástěnného držáku ❸ a zastrčte ji do zdířky na ručním vysavači.

Nabíjení

❶ Poznámka:

Ujistěte se, že hlavní vypínač ❻ je posunut dozadu (poloha „0“), než začnete s nabíjením.

- Zastrčte ruční vysavač do nástěnného držáku ❸ seshora tak, aby nástrčná zástrčka ❺ zaskočila do zdířky na ručním vysavači. Kontrolka nabíjení ❷ bliká červeně a začne proces nabíjení.

⚠ Důležité:

- Jakmile je ruční vysavač opět dostatečně zásobován energií k vysávání, svítí kontrolní světlo nabíjení ❷ zeleně. To neznamená, že jsou akumulátory plně nabité. Jakmile se kontrolní světlo nabíjení ❷ rozsvítí zeleně, jsou akumulátory nabité na cca. 80%.

Obsluha

⚠ Pozor!

Sací otvor musí být neustále volný a nesmí být ucpaný. Ucpání vede k přehřátí a poškození motoru.

❶ Upozornění:

- Ubezpečte se, zda je prachový filtr ❿ vždy vložený, než začnete přístroj používat.
 - Nasejte maximálně pouze tolik kapaliny, dokud se nádoba na špínu ❶ nenaplní až po označení MAX.
1. Sejměte ruční vysavač z nástěnného držáku ❸, nebo, pokud nástěnný držák ❸ nepoužíváte, vytáhněte nástrčnou zástrčku ❺ ze zdířky.
 2. Nasadte dle potřeby vhodnou tryšku/hubici do sacího otvoru:
 - Špárovou hubici ❷ pro čištění a vysávání úzkých, těžce dosažitelných míst.
 - Nasávací hubici zamokra ❶ k vysátí kapalin.

i Upozornění:

Poté, co jste vysáli kapalinu, vyčistěte okamžitě nádobu na nečistoty **11**. Jinak se mohou vytvořit bakterie a choroboplodné zárodky! Dbejte na to, aby sáček pro prachový filtr **9** byl před opětovým použitím přístroje zcela suchý.

3. Pro zapnutí přístroje posuňte zapínač/vypínač **6** dopředu. Kontrolka nabíjení **7** svítí zeleně.
4. Po použití posuňte zapínač/vypínač **6** dozadu.

i Upozornění:

Zastrčte ruční vysavač do nástěnného držáku **3** a zapněte proces nabíjení pouze tehdy, pokud se výrazně sníží sací výkon a kontrolka nabíjení **7** bliká zeleně.

Čištění

Pro dosažení nejlepších výsledků vyprázdněte prachovou nádobu **11** a vyčistěte prachový filtr **10** po každém použití.

⚠ Důležité:

Nepoužívejte žádné abraziva, nebo agresivní nebo chemické čisticí prostředky. Tyto napadnou povrch přístroje a mohly by jej poškodit.

1. Pro otevření nádoby na nečistoty **11** stiskněte odblokovací tlačítko **8** a odeberte nádobu na nečistoty a prach **11**.
2. Vyjměte prachový filtr **10** z nádoby na nečistoty a prach **11**.
3. Nádobu na nečistoty a prach **11** vyprázdněte.
4. Vytáhněte sáček prachového filtru **9** s jeho držákem z prachového filtru **10**.
5. Opláchněte sáček prachového filtru **9** ve studené vodě a vyčkejte, dokud není tento úplně suchý, než jej vložíte zpět do prachového filtru **10**. Nesušte jej horkým vzduchem.

6. Prachový filtr **10** opět nasadte do nádoby na nečistoty a prach **11**. Dbejte při tom na to, aby prachový filtr **10** dosedal přímo a pryžové chlopně uzavíraly nádobu na nečistoty **11**.
7. Nasadte nádobu na nečistoty a prach **11** opět na motorový blok:
 - Zasuňte plastový výstupek na spodní straně ručního vysavače do vyhloubeniny na nádobě na nečistoty a prach **11**.
 - Stiskněte odblokovací tlačítko **8** a posouvejte současně nádobu na nečistoty a prach **11** na motorový blok.
 - Odblokovací tlačítko **8** opět pusťte, aby zablokování mohlo zapadnout do vyhloubeniny. Nádobu na nečistoty a prach **11** dosedá nyní pevně na motorový blok.
8. Kryt a obě hubice otřete lehce navlhčeným hadříkem. Při silnějším znečištění dejte na hadřík trochu jemného čisticího prostředku.
9. Všechny součásti řádně vysušte, než budete přístroj opět používat nebo než jej uschováte.

Likvidace

Přístroj a akumulátor se musí likvidovat odděleně.

Likvidace přístroje



Přístroj v žádném případě neodhazujte do obvyklého domovního odpadu. Tento výrobek podléhá evropské směrnici 2012/19/EU.

Přístroj předejte k likvidaci odborné firmě či jej odevzdejte v místním recyklačním zařízení. Dodržujte aktuálně platné předpisy. V případě pochyb se poraďte s recyklační firmou.

Likvidace baterií/akumulátorů



Baterie/akumulátory nesmějí přijít do domovního odpadu. Každý spotřebitel je ze zákona povinen baterie a akumulátory odevzdat na sběrném místě v obci nebo městské čtvrti, kde bydlí.

Tato povinnost slouží k tomu, aby byly baterie/akumulátory odevzdány k ekologické likvidaci.

Baterie/akumulátory odevzdávejte pouze zcela vybité.

K ekologické likvidaci přístroje je nutné vyjmout z něj baterii.

⚠ Nebezpečí úrazu elektrickým proudem!

Odpojte přístroj od sítě, když chcete vyjmout baterii!

⚠ Pozor! Věcné škody!

Baterii vyjměte z přístroje pouze tehdy, pokud jej chcete zlikvidovat/sešrotovat! Jakmile se baterie vyjme, přístroj je vadný!

1. Sejměte nádobu na nečistoty **11** z bloku motoru.
2. Povolte 4 křížové šrouby po straně bloku motoru a křížový šroub na kulaté mřížce na bloku motoru.
3. Nyní můžete blok motoru rozebrat.
4. Přeštipněte 3 kabely, které spojují desku plošných spojů s modře opláštěnou baterií. Nyní můžete baterii zlikvidovat.
5. Zlikvidujte baterii ekologicky. Dodržujte aktuálně platné předpisy. V případě pochybností se informujte ve sběrném dvoře.



Také všechny obalové materiály zlikvidujte v souladu s ekologickými předpisy.

Záruka a servis

Na tento přístroj platí tříletá záruka od data zakoupení. Přístroj byl vyroben s nejvyšší pečlivostí a před odesláním prošel výrobní kontrolou.

Ušchovejte si, prosím, pokladní lístek jako doklad o nákupu. V případě uplatňování záruky kontaktujte telefonicky Vaši servisní službu. Pouze tak může být zajištěno bezplatné zaslání Vašeho zboží.

Záruka se vztahuje pouze na chyby materiálu nebo výrobní závady, ale ne na škody, vzniklé při přepravě, ne na součásti, podléhající rychlému opotřebení nebo na poškození křehkých dílů, jako jsou např. spínače nebo akumulátory. Výrobek je určen pouze pro privátní použití, ne průmyslové.

Při nesprávném a neodborném využívání, při použití násilí a při zásazích, které nebyly provedeny našimi autorizovanými servisními provozovny, záruční nároky zanikají. Vaše práva vyplývající ze zákona touto zárukou nejsou omezena.

Záruční doba se zárukou neprodlouží. Toto platí také pro náhradní díly a opravené součásti. Případné škody a vady, existující už při koupi, se musí hlásit ihned po vybalení, nejpozději však do dvou dnů od data nákupu. Po uplynutí záruční doby se provedené opravy musí zaplatit.

CZ Servis Česko

Tel.: 800143873

E-Mail: kompernass@lidl.cz

IAN 96715

Dostupnost horké linky:

pondělí až pátek 8:00 hod. – 20:00 hod. (SEČ)

Dovozce

KOMPERNASS HANDELS GMBH
BURGSTRASSE 21
44867 BOCHUM
GERMANY
www.kompernass.com

Obsah	Strana
Používanie v súlade s určením	36
Obsah dodávky	36
Opis prístroja	36
Dôležité bezpečnostné pokyny	37
Technické údaje	39
Pred prvým uvedením do prevádzky	39
Informácie o akumulátoroch	39
Montáž nástenného držiaka	39
Nabíjanie	40
Ovládanie	40
Čistenie	41
Likvidácia	41
Záruka a servis	42
Dovozca	42

Ručný vysávač s lítium-iónovou batériou

Srdečne vám gratulujeme ku kúpe tohto nového prístroja. Rozhodli ste sa tým pre vysokokvalitný výrobok. Návod na používanie je súčasťou tohto výrobku. Obsahuje dôležité pokyny týkajúce sa bezpečnosti, používania a likvidácie zariadenia. Pred používaním tohto výrobku sa oboznámte so všetkými pokynmi na ovládanie a bezpečnostnými pokynmi. Výrobok používajte iba tak, ako je tu opísané a iba v tých oblastiach použitia, ktoré sú tu uvedené. Pri odovzdávaní výrobku tretej osobe s ním odovzdajte aj všetky podklady.

Používanie v súlade s určením

Tento ručný vysávač sa smie používať len na vysávanie suchých alebo mokrých povrchov, resp. na vysávanie suchých alebo mokrých predmetov alebo tekutín. Tento prístroj nemožno používať na čistenie ľudí ani zvierat. Akýkoľvek iný spôsob používania alebo prebudovanie prístroja sa považuje za nezodpovedajúce určeniu a je skrytým zdrojom nebezpečenstva úrazu. Výrobca neručí za škody, ktoré sú spôsobené nesprávnou obsluhou alebo používaním na iné než určené účely. Prístroj nie je určený na priemyselné použitie.

Obsah dodávky

Ručný vysávač
Štrbinová hubica
Hubica na mokré vysávanie
Nástenný držiak
Montážny materiál
Sieťový adaptér
Návod na používanie

Ihneď po vybalení skontrolujte obsah dodávky, či v nej nič nechýba. Odstráňte z prístroja všetky obalové materiály, predovšetkým ochranný kryt nad vypínačom.

Opis prístroja

- 1 Hubica na mokré vysávanie
- 2 Štrbinový nástavec
- 3 Nástenný držiak
- 4 Sieťový adaptér
- 5 Dutinový konektor
- 6 Vypínač
- 7 Kontrolka nabíjania
- 8 Uvoľňovacie tlačidlo
- 9 Vrečko s prachovým filtrom
- 10 Prachový filter
- 11 Nádoba na nečistoty

Upozornenie:

Prístroj sa dodáva s nenabíjateľnými akumulátormi. Pred prvým použitím prístroja sa akumulátory musia najskôr nabíjať po dobu 24 hodín.

Dôležité bezpečnostné pokyny

⚠ Aby ste zabránili poraneniu v dôsledku úrazu elektrickým prúdom:

- Nenabíjajte, ani nepoužívajte tento prístroj vonku.
- Nikdy nepoužívajte ručný vysávač, ak je poškodený kábel, zástrčka alebo kryt.
- Poškodenú sieťovú šnúru alebo zástrčku nechajte ihneď vymeniť autorizovanému odborníkovi, aby ste sa vyhli ohrozeniu bezpečnosti.
- Opravy zverte len do rúk odborníkom. V žiadnom prípade prístroj neotvárajte sami. Zásahy, ktoré robí niekto iný než odborná prevádzka, môžu viesť k úrazom.
- Pred zapnutím ručného vysávača sa presvedčte, či napätie uvedené v technických údajoch prístroja zodpovedá napätiu v sieti.
- Nedoťkajte sa sieťového adaptéra alebo prístroja mokrymi alebo vlhkými rukami.
- Nepoužívajte sieťový adaptér s predlžovacím káblom, ale pripojte sieťový adaptér priamo do zásuvky.

⚠ Aby ste zabránili poraneniam:

- Nevymieňajte príslušenstvo, keď je prístroj v prevádzke.
- Nepoužívajte ručný vysávač na vysávanie ostrých predmetov alebo sklenených črepín.
- Nikdy nevysávajte horiace zápalky, tlejúci popol alebo cigaretové ohorky.
- Nepoužívajte ručný vysávač na vysávanie chemických látok, kamenného prachu, sadry, cementu alebo podobných látok.
- Prístroj nie je vhodný na vysávanie horľavých a výbušných látok ani chemických alebo agresívnych tekutín.
- Prístroj vždy skladujte v uzavretých priestoroch. Aby sa zabránilo nehodám, prístroj po použití uschovávajte na suchom mieste.
- Za extrémnych podmienok môže dochádzať k úniku tekutiny z akumulátorových článkov. Pri kontakte tekutiny s pokožkou alebo očami je potrebné postihnuté miesto okamžite opláchnuť, príp. vypláchnuť čistou vodou. Vyhľadajte lekára.

- Tento prístroj môžu používať deti staršie ako 8 rokov, ako aj osoby so zníženými fyzickými, zmyslovými alebo mentálnymi schopnosťami alebo nedostatkom skúseností a vedomostí, ak sú pod dohľadom alebo boli o bezpečnom používaní prístroja poučené a pochopili z toho vyplývajúce nebezpečenstvá. Deti sa nesmú hrať s prístrojom. Deti nesmú vykonávať čistenie a užívateľskú údržbu bez ohľadu.

Zaistenie bezpečného používania:

- Používajte iba také príslušenstvo, ktoré odporúča výrobca.
- Sieťový adaptér sa nesmie používať na iné účely. Nikdy nenoste nástenný držiak ani sieťový adaptér za kábel. Neťahajte za kábel, ak chcete odpojiť prístroj zo zásuvky.
- Keď chcete prístroj oddeliť od sieťového napájania elektrickým prúdom, vždy uchopte sieťový adaptér.
- Bezpodmienečne dbajte na to, aby ste neukladali ručný vysávač vedľa ohrievacích telies, sporákov alebo iných zohriatych prístrojov alebo plôch.
- Dbajte vždy na to, aby vetracie otvory zostali voľné. Blokovanie kolobeh vzduchu môže viesť k prehriatiu a poškodeniu prístroja.
- Tento výrobok obsahuje akumulátory. Neodhadzujte akumulátory do ohňa a nevystavujte ich vysokým teplotám. Hrozí nebezpečenstvo výbuchu!
- Buďte zvlášť opatrní, keď používate ručný vysávač na schodoch.
- Nepoužívajte ručný vysávač bez nasadeného prachového filtra.
- Nepoužívajte sieťový adaptér na iný výrobok a neskúšajte nabíjať tento prístroj pomocou inej nabíjačky. Používajte iba sieťový adaptér, ktorý bol dodaný spolu s týmto prístrojom.
- Nikdy sa nepokúšajte nabiť **nenabíjateľné** batérie.

Technické údaje

Sieťový adaptér ④

Napájanie: 100 - 240 V ~, 50/60 Hz
max. 300 mA

Výstupné napätie: 9,6 V === / 300 mA

Trieda ochrany : II/□

Typové označenie: SAS 7.4 LI A2-1

Prístroj

Napájanie: 7,4 V ===

Akumulátory

Kapacita: 1300 mAh

Akumulátor: 7,4 V
(2 x 3,7 V lítium-iónový
akumulátor)

Pred prvým uvedením do prevádzky

- Z prístroja odstráňte všetky obalové materiály, predovšetkým krytku na zapínači/vypínači ⑥.
- Nádobu na nečistoty ⑪ nasuňte na blok motora.
 - Plastovú hubicu na spodnej strane ručného vysávača zasunite do otvoru na nádobu na nečistoty ⑪.
 - Stlačte uvoľňovacie tlačidlo ⑧ a súčasne s tým nasuňte nádobu na nečistoty ⑪ na blok motora.
 - Pustite uvoľňovacie tlačidlo ⑧, aby aretačné zariadenie vošlo do výrezu. Nádobu na nečistoty ⑪ teraz pevne sedí na bloku motora.

Informácie o akumulátoroch

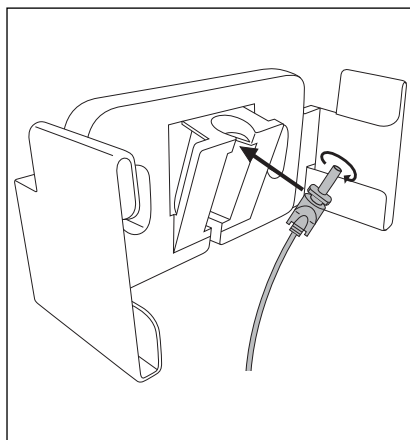
1. V ručnom vysávači sú použité lítium-iónové akumulátory.
Pred prvým použitím ručného vysávača sa akumulátory musia nabíjať minimálne po dobu 24 hodín.
2. Akumulátory dosiahnu svoju plnú kapacitu po nabíjaní trvajúcim 24 hodín. Pokiaľ ide o starostlivosť o akumulátory, odporúčame toto: Po nabíjaní akumulátorov vytiahnite sieťový adaptér ④ z elektrickej zásuvky. Sieťový adaptér ④ zasunite znova do elektrickej zásuvky až potom, keď sací výkon prístroja znateľne poklesne.

Montáž nástenného držiaka

⚠ Smrteľné nebezpečenstvo!

Overte si, či nie sú na miestach, kde chcete vŕtať diery pre nástenný držiak ③, žiadne elektrické alebo iné vedenia alebo rúry. Ak by ste pri vŕtaní narazili na elektrické vedenie, hrozí vám smrteľné nebezpečenstvo!

1. Vložte dutinový konektor ⑤ sieťového adaptéra ④ do nástenného držiaka ③ tak, ako je vidieť na nasledujúcom obrázku. Upevnite dutinový konektor ⑤ tým, že ho otočíte.



- Nájdite vhodné miesto pre montáž nástenného držáka ❸: Ručný vysávač sa z neho musí dať bez problémov vytiahnuť a sieťová zásuvka musí byť v dosahu sieťového adaptéra ❹.
- Vyvráťajte dva otvory vo vzdialenosti asi 68 mm od seba. Použite nástenný držiak ❸ na ich vyznačenie: tak správne odmeriate odstup. Priemer a dĺžka otvorov musia byť vhodné pre 5 mm hmoždinky.
- Zasuňte hmoždinky do otvorov a dodanými skrutkami pevne naskrutkujte nástenný držiak ❸.
- Hubice môžete nasadiť na bočné držiaky príslušenstva.
- Zasuňte sieťový adaptér ❹ do elektrickej zásuvky.

Nabíjanie

ⓘ **Upozornenie:**

Predtým než začnete prístroj nabíjať, uistite sa, že vypínač ❹ je posunutý dozadu (poloha „0“).

- Nasadte ručný vysávač zhora do nástenného držáka ❸ tak, aby sa dutinový konektor ❺ zasunul do zásuvky vo vysávači. Kontrolka nabíjania ❶ sa rozblíka červeno a začne nabíjanie.

⚠ **Dôležité upozornenie:**

- Keď má ručný vysávač znova dosť energie na vysávanie, rozsvieti sa kontrolka nabíjania ❶ zeleno. To neznamená, že sú akumulátory plne nabité. Keď kontrolka nabíjania ❶ svieti zeleno, sú akumulátory nabité asi na 80 %.

- Keď nabíjanie skončí, čo môže trvať pri celkom vybitých akumulátoroch cca 5 hodiny, prepne sa prístroj automaticky do udržiavacieho režimu nabíjania. Napriek tomu nenechávajte prístroj neustále pripojený k sieťovému adaptéru ❹, aby ste sa vyhli prípadnému poškodeniu akumulátorov.
- Akumulátory znova nabíjate až vtedy, keď sací výkon vysávača citelne poklesne a kontrolka nabíjania ❶ blíkajú zeleno.

ⓘ **Upozornenie:**

Ručný vysávač sa môže nabíjať aj priamo cez sieťový adaptér ❹. Ak to chcete urobiť, vyberte dutinový konektor ❺ miernym otočením z nástenného držáka ❸ a zasunite ho priamo do zásuvky na ručnom vysávači.

Ovládanie

⚠ **Pozor!**

- SK Sací otvor musí byť vždy voľný a nesmie byť zapchatý. Upchatie vedie k prehriatiu a poškodeniu motora.

ⓘ **Pokyny:**

- Dbajte na to, aby bol prachový filter ❶ vložený vždy už predtým, než začnete prístroj používať.
- Vysávať môžete len také množstvo tekutín, kým nie je nádoba na nečistoty ❶ zaplnená po značku MAX.

- Dajte ručný vysávač dolu z nástenného držáka ❸ alebo, ak nepoužívate nástenný držiak ❸, vytiahnite dutinový konektor ❺ zo zásuvky.
- Ak potrebujete, nasadte patričnú hubicu do sacieho otvoru:
 - štrbinová hubica ❷ - na čistenie úzkych, ťažko dostupných miest.
 - hubica na mokré vysávanie ❶ - na vysávanie tekutín.

i **Upozornenie:**

Ak ste vysávali tekutiny, ihneď po vysávaní vyčistite nádobu na nečistoty **11**. V opačnom prípade by sa tam zhromažďovali baktérie a choroboplodné zárodoky! Dajte pozor na to, aby vrecko na prachový filter **9** bolo úplne suché predtým, než začnete prístroj znova používať.

3. Ak chcete prístroj zapnúť, posuňte vypínač **6** dopredu. Kontrolka nabíjania **7** sa rozsvieti zeleno.
4. Po použití posuňte vypínač **6** dozadu.

i **Upozornenie:**

Keď sací výkon citeľne poklesne a kontrolka nabíjania **7** bliká zeleno, nasadíte ručný vysávač do nástenného držiaka **3** a spustíte nabíjanie.

Čistenie

Aby bolo vysávanie čo najúčinnnejšie, po každom použití vyprázdnite nádobu na nečistoty **11** a vyčistite prachový filter **10**.

⚠ Dôležité upozornenie:

Nepoužívajte žiadne drhnutce, agresívne ani chemické čistiace prostriedky. Tieto môžu rozrušiť povrchové časti prístroja.

1. Ak chcete otvoriť nádobu na nečistoty **11**, stlačte uvoľňovacie tlačidlo **8** a vyberte nádobu na nečistoty **11**.
2. Vyberte prachový filter **10** z nádoby na nečistoty **11**.
3. Vyprázdnite nádobu na nečistoty **11**.
4. Vytiahnite vrecko prachového filtra **9** za jeho držiak z prachového filtra **10**.
5. Opláchnite vrecko prachového filtra **9** v studenej vode a vyčkejte, kým celkom nevyschne, až potom ho vložte do prachového filtra **10**. Nesušte ho horúcim vzduchom.

6. Znova vložte prachový filter **10** do nádoby na nečistoty **11**. Dajte pozor na to, aby prachový filter **10** zapadol rovno a zatvoril sa gumový záhyb na prachovom filtri **11**.

7. Znova nasadíte nádobu na nečistoty **11** na blok motora:
 - Zasuňte plastový výčnelok na spodnej strane ručného vysávača do výrezu na nádobe na nečistoty **11**.
 - Stlačte uvoľňovacie tlačidlo **8** a zároveň nasuňte nádobu na čistenie **11** na blok motora.
 - Pustíte uvoľňovacie tlačidlo **8**, aby aretačné zariadenie vošlo do výrezu. Nádoba na nečistoty **11** teraz pevne sedí na bloku motora.
8. Kryt a obe hubice čistíte len mierne navlhčenou handrou. V prípade odolnejších nečistôt môžete pridať na utierku jemný čistiaci prostriedok.
9. Poriadne vysušte všetky diely predtým, než prístroj znova použijete alebo odložíte.

Likvidácia

Prístroj a akumulátor sa musia likvidovať oddelene.

Likvidácia prístroja



Prístroj v žiadnom prípade nevyhadzujte do bežného domového odpadu. Tento výrobok podlieha európskej smernici 2012/19/EU.

Zlikvidujte prístroj v príslušnom zariadení (firme) na likvidáciu odpadu.

Dodržte pritom aktuálne platné predpisy.

V prípade pochybností sa spojte so zariadením na likvidáciu odpadu.

Likvidácia batérií a akumulátorov



Batérie a akumulátory sa nesmú vyhadzovať do domového odpadu. Každý spotrebiteľ je zo zákona povinný, odovzdať batérie alebo akumulátory v zbernom stredisku v obci alebo mestskej štvrti alebo v obchode.

Táto povinnosť má prispieť k ekologickej likvidácii batérií a akumulátorov. Batérie a akumulátory odovzdávajúte len vo vybitom stave.

Ak chcete prístroj ekologicky zlikvidovať, musíte z neho vybrať akumulátor.

⚠ Nebezpečenstvo zásahu elektrickým prúdom!

Pri odstraňovaní akumulátora odpojte prístroj od siete.

⚠ Pozor! Vecné škody!

Akumulátor vyberte z prístroja len v prípade, ak chcete prístroj zlikvidovať (zošrotovať)! Prístroj sa pri vyberaní akumulátora pokazí!

1. Odoberte nádobu na nečistoty **11** z bloku motora.
2. Uvoľnite 4 krížové skrutky na strane bloku motora a krížovú skrutku na okrúhlejšej mriežke na bloku motora.
3. Teraz môžete rozobrať blok motora.
4. Odstrihnite 3 káble, ktoré spájajú základnú dosku s modrým oplášteným akumulátorom. Teraz môžete akumulátor zlikvidovať.
5. Akumulátor ekologicky zlikvidujte. Dodržiavajte pritom aktuálne platné predpisy. V prípade pochybností kontaktujte zberňu odpadov.



Všetok baliaci materiál zlikvidujte ekologickým spôsobom.

Záruka a servis

Na tento prístroj máte trojročnú záruku od dátumu nákupu. Prístroj bol starostlivo vyrobený a pred expedíciou dôkladne vyskúšaný.

Uschovajte si, prosím, účtenku ako dôkaz o nákupe. V prípade uplatňovania záruky sa spojte s opravovňou telefonicky. Len tak sa dá zabezpečiť bezplatné zaslanie tovaru.

Záruka platí len na chyby materiálu a výroby, nie na poškodenia spôsobené prepravou, opotrebením ani na poškodenia krehkých častí, ako sú spínače alebo akumulátory. Výrobok je určený výlučne na súkromné používanie a nie na komerčné účely.

Záruka prestáva platiť pri zaobchádzaní nezodpovedajúcom účelu, pri neprimeranom zaobchádzaní, pri používaní násilia a pri zásahoch, ktoré neurobil nami autorizovaný servis. Práva vyplývajúce zo zákona nie sú touto zárukou obmedzené.

Záručná doba sa nepredlžuje o dobu trvania záručných opráv. To platí aj na vymenené alebo opravené diely. Prípadné poškodenia a nedostatky zistené už pri nákupe musíte ohlásiť ihneď po vybalení, najneskoršie však do dvoch dní od dátumu zakúpenia. V prípade opráv spadajúcich do obdobia po uplynutí záručnej doby ste povinní uhradiť vzniknuté náklady.

SK Servis Slovensko

Tel.: 0850 232001

E-Mail: kompernass@lidl.sk

IAN 96715

Dostupnosť hotline:

pondelok až piatok od 8:00 hod. - 20:00 hod. (SEČ)

Dovozca

KOMPERNASS HANDELS GMBH
BURGSTRASSE 21
44867 BOCHUM
GERMANY
www.kompernass.com

Inhaltsverzeichnis	Seite
Bestimmungsgemäßer Gebrauch	44
Lieferumfang	44
Gerätebeschreibung	44
Wichtige Sicherheitshinweise	45
Technische Daten	47
Vor der ersten Inbetriebnahme	47
Informationen zu den Akkus	47
Montage des Wandhalters	47
Aufladen	48
Bedienen	48
Reinigen	49
Entsorgen	49
Garantie und Service	50
Importeur	51

Li-Ionen-Akku- Handstaubsauger

Herzlichen Glückwunsch zum Kauf Ihres neuen Gerätes.

Sie haben sich damit für ein hochwertiges Produkt entschieden. Die Bedienungsanleitung ist Bestandteil dieses Produkts. Sie enthält wichtige Hinweise für Sicherheit, Gebrauch und Entsorgung. Machen Sie sich vor der Benutzung des Produkts mit allen Bedien- und Sicherheitshinweisen vertraut. Benutzen Sie das Produkt nur wie beschrieben und für die angegebenen Einsatzbereiche. Händigen Sie alle Unterlagen bei Weitergabe des Produkts an Dritte mit aus.

Bestimmungsgemäßer Gebrauch

Der Handstaubsauger darf nur zum Saugen von trockenen oder nassen Oberflächen bzw. trockenem oder nassem Sauggut oder Flüssigkeiten eingesetzt werden. Menschen oder Tiere dürfen mit diesem Gerät nicht abgesaugt werden. Jede andere Verwendung oder Veränderung des Gerätes gilt als nicht bestimmungsgemäß und birgt erhebliche Unfallgefahren. Der Hersteller haftet nicht für Schäden, die durch nicht bestimmungsgemäßen Gebrauch oder falsche Bedienung verursacht werden. Das Gerät ist nicht für den gewerblichen Gebrauch bestimmt.

Lieferumfang

Li-Ionen-Akku-Handstaubsauger

Fugendüse

Nasssaugdüse

Wandhalter

Montagematerial

Netzteil

Bedienungsanleitung

Kontrollieren Sie direkt nach dem Auspacken den Lieferumfang auf Vollständigkeit.

Gerätebeschreibung

- ❶ Nasssaugdüse
- ❷ Fugendüse
- ❸ Wandhalter
- ❹ Netzteil
- ❺ Hohlstecker
- ❻ Ein-/Ausschalter
- ❼ Ladekontrollleuchte (rot/grün)
- ❽ Entriegelungstaste
- ❾ Staubfilter-Beutel
- ❿ Staubfilter
- ⓫ Schmutzbehälter

Hinweis:

Das Gerät wird mit nicht geladenen Akkus geliefert. Vor dem ersten Gebrauch des Gerätes sind die Akkus zunächst für 24 Stunden zu laden.

Wichtige Sicherheitshinweise

⚠ Um Lebensgefahr durch elektrischen Schlag zu vermeiden:

- Laden bzw. verwenden Sie dieses Gerät nicht im Freien.
- Den Handstaubsauger niemals gebrauchen, wenn Kabel, Stecker oder Gehäuse beschädigt sind.
- Lassen Sie beschädigte Netzstecker oder Netzkabel sofort von autorisiertem Fachpersonal austauschen, um Gefährdungen zu vermeiden.
- Lassen Sie Reparaturen nur von einer Fachwerkstatt durchführen. Öffnen Sie unter keinen Umständen selbst das Gerät. Eingriffe, die nicht durch einen Fachbetrieb vorgenommen wurden, können zu Verletzungen führen.
- Überzeugen Sie sich vor dem Einschalten des Gerätes, dass die in den technischen Daten des Gerätes verzeichnete Spannung der Netzspannung entspricht.
- Fassen Sie das Netzteil oder das Gerät nicht mit nassen oder feuchten Händen an.
- Verwenden Sie das Netzteil nicht mit einem Verlängerungskabel, sondern verbinden Sie das Netzteil direkt mit einer Steckdose.

⚠ Um Verletzungsgefahr zu vermeiden:

- Wechseln Sie keine Zubehörteile aus, wenn das Gerät in Betrieb ist.
- Benutzen Sie den Handstaubsauger nicht zum Aufsaugen von spitzen Gegenständen oder Glasscherben.
- Niemals brennende Streichhölzer, glimmende Asche oder Zigarettenstummel aufsaugen.
- Gebrauchen Sie den Handstaubsauger nicht zum Aufsaugen von chemischen Produkten, Steinstaub, Gips, Zement, oder anderen ähnlichen Partikeln.
- Das Gerät ist nicht für entflammbare und explosive Stoffe oder chemische und aggressive Flüssigkeiten geeignet.
- Lagern Sie das Gerät immer in geschlossenen Räumen. Um Unfälle zu verhindern, bewahren Sie das Gerät nach Gebrauch an einem trockenen Ort auf.
- Unter extremen Bedingungen können Leckagen an den Akkuzellen auftreten. Bei Kontakt der Flüssigkeit mit Haut oder Augen ist die betreffende Stelle sofort mit sauberem Wasser aus- bzw. abzuspülen. Suchen Sie einen Arzt auf.

- Dieses Gerät kann von Kindern ab 8 Jahren und darüber sowie von Personen mit verringerten physischen, sensorischen oder mentalen Fähigkeiten oder Mangel an Erfahrung und Wissen benutzt werden, wenn sie beaufsichtigt oder bezüglich des sicheren Gebrauchs des Gerätes unterwiesen wurden und die daraus resultierenden Gefahren verstehen. Kinder dürfen nicht mit dem Gerät spielen. Reinigung und Benutzer-Wartung dürfen nicht von Kindern ohne Beaufsichtigung durchgeführt werden.

So verhalten Sie sich sicher:

- Verwenden Sie nur Zubehörteile, die vom Hersteller empfohlen werden.
- Das Netzteil darf nicht für andere Zwecke benutzt werden. Tragen Sie den Wandhalter oder das Netzteil niemals am Kabel. Ziehen Sie nicht am Kabel, wenn Sie das Gerät verstellen wollen.
- Fassen Sie immer den Netzstecker an, um das Gerät von der Stromversorgung zu trennen.
- Achten Sie unbedingt darauf, dass Sie den Handstaubsauger nicht neben Heizkörpern, Backöfen oder anderen erhitzten Geräten oder Flächen abstellen.
- Achten Sie immer darauf, dass die Lüftungsschlitze frei sind. Ein blockierter Luftkreislauf kann zur Überhitzung und Beschädigung des Gerätes führen.
- Dieses Produkt enthält wiederaufladbare Akkus. Werfen Sie die Akkus nicht ins Feuer und setzen Sie sie nicht hohen Temperaturen aus. Es besteht Explosionsgefahr!
- Üben Sie besondere Sorgfalt aus, wenn Sie den Handstaubsauger auf Treppen benutzen.
- Benutzen Sie den Handstaubsauger nicht ohne eingesetzten Staubfilter.
- Benutzen Sie das Netzteil nicht für ein anderes Produkt und versuchen Sie nicht, dieses Gerät mittels einer anderen Ladestation aufzuladen. Verwenden Sie nur das mit diesem Gerät gelieferte Netzteil.
- Versuchen Sie niemals, **nicht wiederaufladbare** Batterien aufzuladen.

Technische Daten


Netzteil ④

Eingangsspannung/

- strom: 100 - 240 V ~, 50/60 Hz
max. 300 mA

Ausgangsspannung/

- strom: 9,6 V === / 300 mA

Schutzklasse: II / 

Typenbezeichnung: SAS 7.4 II A2-1

Gerät

Eingangsspannung: 7,4 V ===

Akkus

Kapazität: 1300 mAh

Akku: 7,4 V
(2 x 3,7 V Lithium-Ionen-Akku)

Vor der ersten Inbetriebnahme

- Entfernen Sie alle Verpackungsmaterialien vom Gerät, insbesondere die Schutzkappe über dem Ein-/Ausrichter ⑥.
- Setzen Sie den Schmutzbehälter ① auf den Motorblock:
 - Schieben Sie die Plastik-Nase an der Unterseite des Handstaubsaugers in die Aussparung am Schmutzbehälter ①.
 - Drücken Sie die Entriegelungstaste ③ und schieben Sie gleichzeitig den Schmutzbehälter ① auf den Motorblock.
 - Lassen Sie die Entriegelungstaste ③ los, so dass die Verriegelung in die Aussparung greift. Der Schmutzbehälter ① sitzt nun fest auf dem Motorblock.

Informationen zu den Akkus

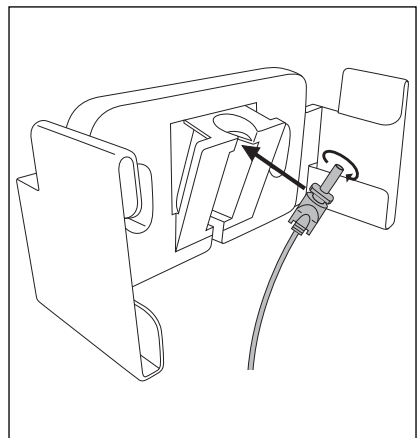
1. Der Handstaubsauger wird mit wiederaufladbaren Lithium-Ionen-Akkus betrieben. Bevor Sie den Handstaubsauger zum ersten Mal verwenden, müssen die Akkus für mindestens 24 Stunden geladen werden.
2. Die Akkus erreichen ihre volle Kapazität nach einer Aufladezeit von 24 Stunden. Zur Pflege der Akkus empfehlen wir folgendes: Ziehen Sie, nachdem die Akkus geladen sind, das Netzteil ④ aus der Netzsteckdose. Verbinden Sie das Netzteil ④ erst wieder mit der Netzsteckdose, wenn die Saugleistung des Handstaubsaugers spürbar schwächer wird.

Montage des Wandhalters

Lebensgefahr!

Stellen Sie sicher, dass sich keine Stromleitungen oder andere Leitungen oder Rohre in der Wand befinden, in der Sie die Löcher für den Wandhalter ③ bohren wollen. Es besteht Lebensgefahr, wenn Sie eine stromführende Leitung anbohren!

1. Setzen Sie den Hohlstecker ⑤ des Netzteils ④ wie auf der nachfolgenden Abbildung gezeigt in den Wandhalter ③ ein. Fixieren Sie den Hohlstecker ⑤, indem Sie ihn drehen.



2. Suchen Sie einen geeigneten Montageplatz für den Wandhalter **3**: Der Handstaubsauger muss problemlos aus ihm herausgezogen werden können und eine Netzsteckdose muss für das Netzteil **4** erreichbar sein.
 3. Bohren Sie zwei Löcher im Abstand von ca. 68 mm. Benutzen Sie den Wandhalter **3** zum Anzeichnen der Löcher: so ist der Abstand korrekt abgemessen. Die Bohrlöcher müssen passend für 5 mm-Dübel gebohrt werden.
 4. Stecken Sie die Dübel in die Löcher und schrauben Sie den Wandhalter **3** mit Hilfe der Schrauben fest.
 5. Sie können die Düsen auf die seitlichen Zubehöralter aufstecken.
 6. Stecken Sie das Netzteil **4** in eine Netzsteckdose ein.
- Ist der Ladevorgang abgeschlossen, welcher bei komplett entladenen Akkus ca. 5 Stunden dauern kann, schaltet das Gerät automatisch in die Erhaltungsladung (Pflegefunktion). Lassen Sie dennoch das Gerät nicht permanent am Netzteil **4** angeschlossen, um eventuelle Beschädigungen der Akkus zu vermeiden.
 - Laden Sie die Akkus erst wieder auf, wenn die Saugleistung des Handstaubsaugers spürbar schwächer wird und die Ladekontrollleuchte **7** grün blinkt.

i Hinweis:

Der Handstaubsauger kann auch direkt über das Netzteil **4** geladen werden. Entnehmen Sie dafür den Hohlstecker **5** durch eine leichte Drehung aus dem Wandhalter **3** und stecken Sie ihn in die Buchse am Handstaubsauger.

Aufladen

i Hinweis:

Vergewissern Sie sich, dass der Ein-/Ausschalter **6** nach hinten geschoben ist (Position „0“), bevor Sie mit dem Laden beginnen.

- Setzen Sie den Handstaubsauger von oben in den Wandhalter **3**, so dass der Hohlstecker **5** in die Buchse am Handstaubsauger rutscht. Die Ladekontrollleuchte **7** blinkt rot auf und der Ladevorgang beginnt.

A Wichtig:

- Wenn der Handstaubsauger wieder genug Energie hat, um zu saugen, leuchtet die Ladekontrollleuchte **7** grün. Dies bedeutet nicht, dass die Akkus voll geladen sind. Wenn die Ladekontrollleuchte **7** grün aufleuchtet, sind die Akkus zu ca. 80% geladen.

Bedienen

A Achtung!

Die Saugöffnung muss jederzeit frei und darf nicht verstopft sein. Verstopfungen führen zu Überhitzung und Beschädigung des Motors.

i Hinweise:

- Achten Sie darauf, dass der Staubfilter **10** immer eingesetzt ist, bevor Sie das Gerät verwenden.
 - Saugen Sie maximal nur so viel Flüssigkeit auf, bis der Schmutzbehälter **11** bis zur MAX-Markierung gefüllt ist.
1. Nehmen Sie den Handstaubsauger von dem Wandhalter **3** herunter, oder, wenn Sie den Wandhalter **3** nicht benutzen, ziehen Sie den Hohlstecker **5** aus der Buchse.
 2. Setzen Sie, wenn gewünscht, die passende Düse in die Saugöffnung:
 - die Fugendüse **2**, um enge, schwer zu erreichende Stellen zu reinigen.
 - die Nasssaugdüse **1**, um Flüssigkeiten aufzusaugen.

i Hinweis:

Reinigen Sie, nachdem Sie Flüssigkeiten aufgesaugt haben, sofort den Schmutzbehälter **11**. Ansonsten bilden sich Bakterien und Keime! Achten Sie darauf, dass der Staubfilter-Beutel **9** vollständig getrocknet ist, bevor Sie das Gerät wieder benutzen.

3. Um das Gerät einzuschalten, schieben Sie den Ein-/Ausschalter **6** nach vorne. Die Ladekontrollleuchte **7** leuchtet grün auf.
4. Nach Gebrauch schieben Sie den Ein-/Ausschalter **6** nach hinten.

i Hinweis:

Setzen Sie den Handstaubsauger in den Wandhalter **3** und beginnen Sie mit dem Ladevorgang, wenn die Saugleistung spürbar schwächer wird und die Ladekontrollleuchte **7** grün blinkt.

Reinigen

Um beste Ergebnisse zu erzielen, leeren Sie den Schmutzbehälter **11** und reinigen Sie den Staubfilter **10** nach jedem Gebrauch.

⚠ Wichtig:

Benutzen Sie keine aggressiven, chemischen oder scheuernde Reinigungsmittel. Diese greifen die Oberfläche des Gerätes an.

1. Um den Schmutzbehälter **11** zu öffnen, drücken Sie die Entriegelungstaste **8** und nehmen Sie den Schmutzbehälter **11** ab.
2. Entnehmen Sie den Staubfilter **10** aus dem Schmutzbehälter **11**.
3. Entleeren Sie den Schmutzbehälter **11**.
4. Ziehen Sie den Staubfilter-Beutel **9** mit seiner Halterung aus dem Staubfilter **10**.
5. Spülen Sie den Staubfilter-Beutel **9** in kaltem Wasser aus und warten Sie, bis dieser wieder vollständig trocken ist, bevor Sie ihn wieder in den Staubfilter **10** einsetzen. Trocknen Sie ihn nicht mit heißer Luft.

6. Setzen Sie den Staubfilter **10** wieder in den Schmutzbehälter **11** ein. Achten Sie darauf, dass der Staubfilter **10** gerade sitzt und die Gummilippe den Schmutzbehälter **11** verschließt.
7. Setzen Sie den Schmutzbehälter **11** wieder auf den Motorblock:
 - Schieben Sie die Plastik-Nase an der Unterseite des Handstaubsaugers in die Aussparung am Schmutzbehälter **11**.
 - Drücken Sie die Entriegelungstaste **8** und schieben Sie gleichzeitig den Schmutzbehälter **11** auf den Motorblock.
 - Lassen Sie die Entriegelungstaste **8** los, so dass die Verriegelung in die Aussparung greift. Der Schmutzbehälter **11** sitzt nun fest auf dem Motorblock.
8. Reinigen Sie das Gehäuse und die beiden Düsen mit einem leicht angefeuchteten Tuch. Bei hartnäckigen Verschmutzungen geben Sie ein mildes Reinigungsmittel auf das Tuch.
9. Trocknen Sie alle Teile gut ab, bevor Sie das Gerät wieder verwenden oder verstauen.

Entsorgen

Das Gerät und der Akku müssen getrennt voneinander entsorgt werden.

Gerät entsorgen



Werfen Sie das Gerät keinesfalls in den normalen Hausmüll. Dieses Produkt unterliegt der europäischen Richtlinie 2012/19/EU.

Entsorgen Sie das Gerät über einen zugelassenen Entsorgungsbetrieb oder über Ihre kommunale Entsorgungseinrichtung. Beachten Sie die aktuell geltenden Vorschriften. Setzen Sie sich im Zweifelsfall mit Ihrer Entsorgungseinrichtung in Verbindung.

Batterien/Akkus entsorgen



Batterien/Akkus dürfen nicht im Hausmüll entsorgt werden. Jeder Verbraucher ist gesetzlich verpflichtet, Batterien/Akkus bei einer Sammelstelle seiner Gemeinde/seines Stadtteils oder im Handel abzugeben.

Diese Verpflichtung dient dazu, dass Batterien/Akkus einer umweltschonenden Entsorgung zugeführt werden können. Geben Sie Batterien/Akkus nur im entladenen Zustand zurück.


Um das Gerät umweltgerecht zu entsorgen, müssen Sie den Akku aus dem Gerät entfernen.

Stromschlaggefahr!

Entfernen Sie das Gerät vom Stromnetz, wenn Sie den Akku entfernen!

Achtung! Sachschaden!

Entnehmen Sie den Akku nur aus dem Gerät, wenn Sie das Gerät entsorgen/verschrotten wollen! Das Gerät ist defekt, wenn Sie den Akku ausgebaut haben!

1. Nehmen Sie den Schmutzbehälter  vom Motorblock.
2. Lösen Sie die 4 Kreuzschlitzschrauben an der Seite des Motorblocks und die Kreuzschlitzschraube am runden Gitter am Motorblock.
3. Sie können nun den Motorblock auseinander nehmen
4. Kneifen Sie die 3 Kabel, welche die Platine mit dem blau ummantelten Akku verbinden, durch. Sie können nun den Akku entfernen.
5. Entsorgen Sie den Akku umweltgerecht. Beachten Sie die aktuell geltenden Vorschriften. Setzen Sie sich im Zweifelsfall mit Ihrer Entsorgungseinrichtung in Verbindung.



Führen Sie alle Verpackungsmaterialien einer umweltgerechten Entsorgung zu.

Garantie und Service

Sie erhalten auf dieses Gerät 3 Jahre Garantie ab Kaufdatum. Das Gerät wurde sorgfältig produziert und vor Anlieferung gewissenhaft geprüft.

Bitte bewahren Sie den Kassenbon als Nachweis für den Kauf auf. Bitte setzen Sie sich im Garantiefall mit Ihrer Servicestelle telefonisch in Verbindung. Nur so kann eine kostenlose Einsendung Ihrer Ware gewährleistet werden.

Die Garantieleistung gilt nur für Material- oder Fabrikationsfehler, nicht aber für Transportschäden, Verschleißteile oder für Beschädigungen an zerbrechlichen Teilen, z. B. Schalter oder Akkus. Das Produkt ist lediglich für den privaten und nicht für den gewerblichen Gebrauch bestimmt.

Bei missbräuchlicher und unsachgemäßer Behandlung, Gewaltanwendung und bei Eingriffen, die nicht von unserer autorisierten Service-Niederlassung vorgenommen wurden, erlischt die Garantie. Ihre gesetzlichen Rechte werden durch diese Garantie nicht eingeschränkt.

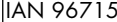
Die Garantiezeit wird durch die Gewährleistung nicht verlängert. Dies gilt auch für ersetzte und reparierte Teile. Eventuell schon beim Kauf vorhandene Schäden und Mängel müssen sofort nach dem Auspacken gemeldet werden, spätestens aber zwei Tage nach Kaufdatum. Nach Ablauf der Garantiezeit anfallende Reparaturen sind kostenpflichtig.

Service Deutschland

Tel.: 0800 5435 111

(Kostenfrei aus dem dt. Festnetz/Mobilfunknetz)

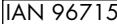
E-Mail: kompernass@lidl.de

 IAN 96715

Service Österreich

Tel.: 0820 201 222 (0,15 EUR/Min.)

E-Mail: kompernass@lidl.at

 IAN 96715

CH Service Schweiz

Tel.: 0842 665566 (0,08 CHF/Min.,
Mobilfunk max. 0,40 CHF/Min.)

E-Mail: kompernass@lidl.ch

IAN 96715

Erreichbarkeit Hotline:

Montag bis Freitag von 8:00 Uhr - 20:00 Uhr (MEZ)

Importeur

KOMPERNASS HANDELS GMBH
BURGSTRASSE 21
44867 BOCHUM
GERMANY
www.kompernass.com

KOMPERNASS HANDELS GMBH

BURGSTRASSE 21

44867 BOCHUM

DEUTSCHLAND / GERMANY

www.kompernass.com

Last Information Update · Információk állása · Stanje informacij

Stav informací · Stav informácií · Stand der Informationen:

02 / 2014 · Ident.-No.: SAS7.4LIA2-012014-1

IAN 96715