



## AIR PAINT SPRAY GUN PDFP 500 B2

(GB)

### AIR PAINT SPRAY GUN

Operation and Safety Notes

Translation of original operation manual

(SI)

### PIŠTOLA ZA BRIZGANJE BARVE NA STISNjen ZRAK

Navodila za upravljanje in varnostna opozorila

Prevod originalnega navodila za uporabo

(DE) (AT) (CH)

### DRUCKLUFT-FARBSPRITZPISTOLE

Bedienungs- und Sicherheitshinweise

Originalbetriebsanleitung

(HU)

### SURÍTETT LEVEGOS FESTÉKSZÓRÓ PISZTOLY

Kezelési és biztonsági utalások

Az original használati utasítás fordítása

(CZ)

### PNEUMATICKÁ STŘÍKACÍ PISTOLE

Pokyny pro obsluhu a bezpečnostní pokyny

Překlad originálního provozního návodu

IAN 96898



GB

Before reading, unfold the page containing the illustrations and familiarise yourself with all functions of the device.

---

HU

Olvasás előtt kattintson az ábrát tartalmazó oldalra és végezetül ismerje meg a készülék mindegyik funkcióját.

---

SI

Pred branjem odprite stran s slikami in se nato seznanite z vsemi funkcijami naprave.

---

CZ

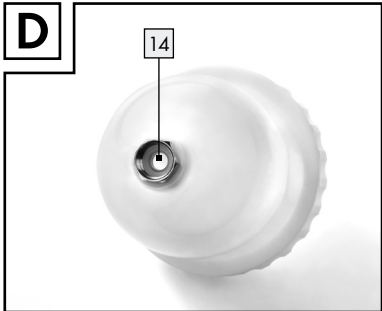
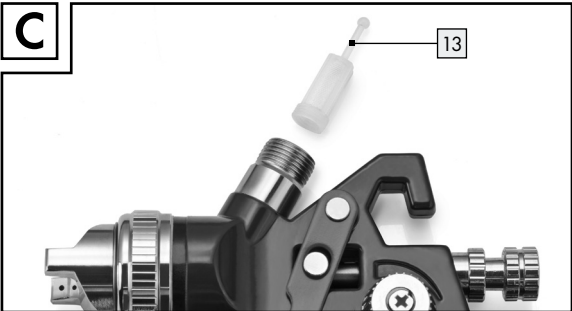
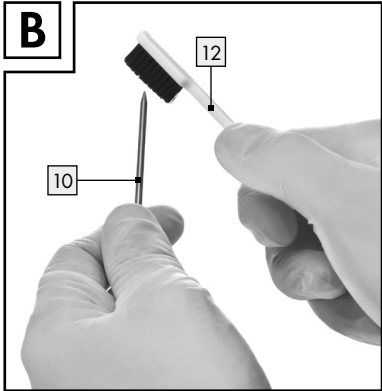
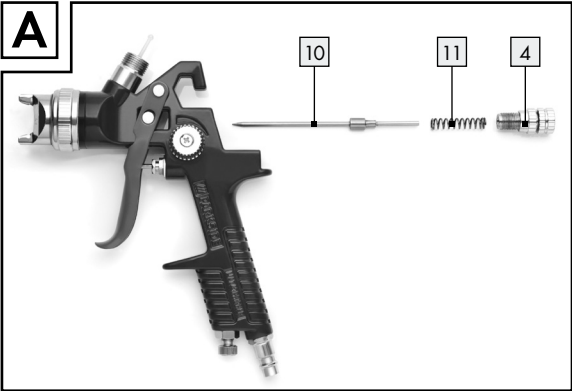
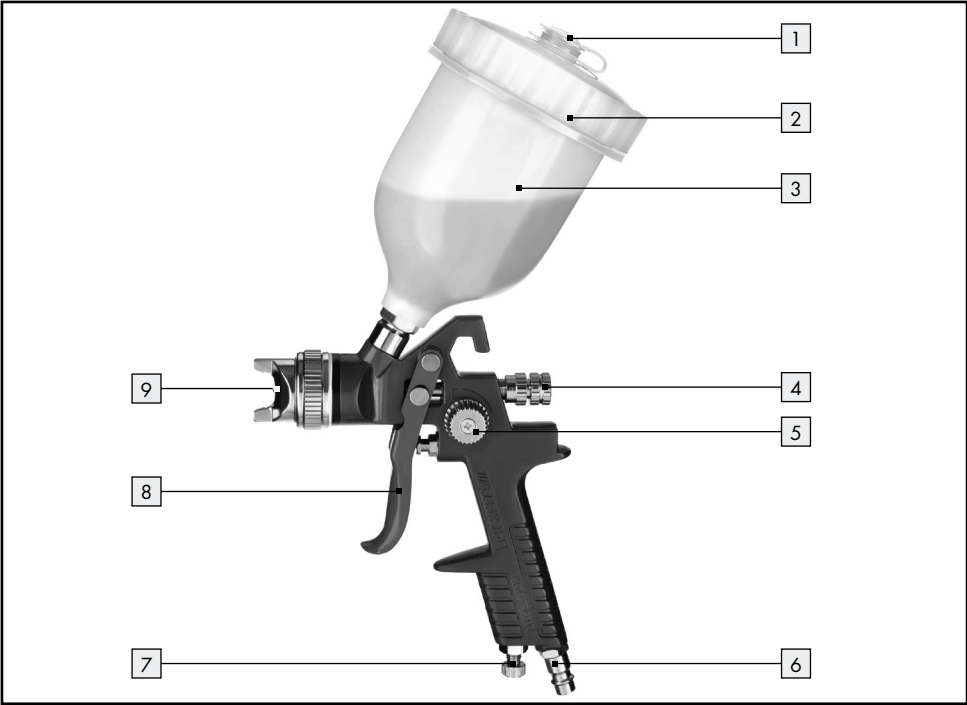
Před čtením si otevřete stranu s obrázky a potom se seznamte se všemi funkcemi přístroje.

---

DE AT CH

Klappen Sie vor dem Lesen die Seite mit den Abbildungen aus und machen Sie sich anschließend mit allen Funktionen des Gerätes vertraut.

GB	Operation and Safety Notes	Page	5
HU	Kezelési és biztonsági utalások	Oldal	13
SI	Navodila za upravljanje in varnostna opozorila	Stran	23
CZ	Pokyny pro obsluhu a bezpečnostní pokyny	Strana	31
DE/AT/CH	Bedienungs- und Sicherheitshinweise	Seite	39





**Introduction**

Correct Usage.....	Page 6
Features and Fittings.....	Page 6
Scope of Delivery.....	Page 6
Technical Data.....	Page 6

**Safety advice**

.....	Page 6
Original accessories / attachments.....	Page 7
Safety instructions for fine spray systems .....	Page 7

**Initial use**

HVLP properties .....	Page 8
Connecting the device .....	Page 8
Preparing the spraying surface .....	Page 8
Turning the device On / Off.....	Page 8
Adjusting the paint jet.....	Page 9
Regulating the quantity of paint .....	Page 9
Regulating the quantity of air .....	Page 9

**Maintenance and Cleaning**

Page 9

**Service**

Page 10

**Warranty**

Page 10

**Disposal**

Page 11

**Translation of the original declaration of conformity /  
Manufacturer**

Page 11

## Air paint spray gun PDFP 500 B2

### ● Introduction

We congratulate you on the purchase of your new device. You have chosen a high quality product. The instructions for use are part of the product. They contain important information concerning safety, use and disposal. Before using the product, please familiarise yourself with all of the safety information and instructions for use. Only use the unit as described and for the specified applications. If you pass the product on to anyone else, please ensure that you also pass on all the documentation with it.

### ● Correct Usage

This compressed air-operated device is only intended for the application / spraying of solvent-containing and water-dilutable paints, glazes, primers, varnishes, automotive topcoats, stains, wood preservatives, pesticides, oils and disinfectants. The device is not suitable for working with dispersion and latex paints, alkalis, acidic coating materials, granular and particulate spraying material or injection and non-drip materials. Any other use or modification shall be deemed to be improper use and could give rise to considerable risk of accident. We will not accept liability for loss or damage arising from improper use. The device is intended for private, domestic use only.

### ● Features and Fittings

- 1 Vent
- 2 Lid of the gravity flow cup
- 3 Gravity flow cup
- 4 Stroke stop screw (paint quantity regulation)
- 5 Regulator for round/broad jet
- 6 Compressed air connection
- 7 Regulator for air quantity control
- 8 Trigger
- 9 Nozzle head
- 10 Needle
- 11 Spring

- 12 Brush
- 13 Filter
- 14 Interior screw thread (flow cup)

### ● Scope of Delivery

- 1 Air paint spray gun PDFP 500 B2
- 1 Gravity flow cup
- 1 Lid for the gravity flow cup
- 1 Cleaning brush
- 1 Filter
- 1 Operating Instructions

### ● Technical Data

Required air quality:	purified, free of condensate and oil
Air consumption:	max. 380 l/min
Working pressure:	max. 3 bar
Volume flow:	typically 130-160 ml/min
Nozzle size:	Ø 1.4 mm
Gravity flow cup:	500 ml
Recommended viscosity:	18-23 DIN/sec.
Sound pressure level:	72.1 dB(A)
Values determined in accordance with EN 14462.	

### ● Safety advice



**WARNING!** Read all the safety advice and instructions.

Failure to observe the safety advice and instructions could result in serious injury and/or damage to property.

**Keep all the safety advice and instructions in a safe place for future reference!**

**WARNING! RISK OF RECOIL FORCES!**

High working pressures can give rise to recoil forces that under certain conditions can result in danger from continuous loading.

**WARNING! DANGER OF SUFFOCATION! Working with nitrogen presents a danger of suffocation! Work in well ventilated spaces only.**

**⚠ WARNING! DANGER OF INJURY!**

Never exceed the maximum allowable working air pressure of 3 bar. Use a pressure reducer to set the working air pressure.

**■ DANGER OF INJURY! IMPROPER USE!**

Never point the device at people or animals.

**■ DANGER OF / EXPLOSION AND FIRE SMOKING PROHIBITED!** Do not ignite any sparks or open flames.**⚠ WARNING! DANGER OF INJURY!**

Never use oxygen or other combustible gas as the energy source.

**⚠ WARNING! DANGER OF INJURY!**

**First disconnect the hose from the compressed air source and only then disconnect the compressed air supply hose from the device.** This will ensure that the compressed air supply hose does not wave around or recoil in an uncontrolled manner.

- **For your own safety, wear suitable personal protective equipment.** Wear respiratory protection with active charcoal filters and goggles.
- **Keep children and other people away while you are operating the device.** Distractions can cause you to lose control of the device.
- Disconnect the device from the compressed air source before carrying out any repair or maintenance work, during interruptions to operations and before transporting the device.
- When removing the hose coupling, hold the hose tightly in your hand to avoid injury caused by the hose shooting backwards.
- **Look out for damage on the device.** Check the device for damage before bringing it into use. Do not use the device if you discover any defects.
- Do not kink the device's hose, otherwise you may damage it.
- Please note the safety instructions of the manufacturer of the sprayed material.
- **Remain alert at all times, pay attention to what you are doing and use common sense in your work. Do not use any device when you are tired or under the influence of drugs, alcohol or medications.**

- Do not remove rating plates or labels - they are safety-relevant parts of the device.
- If you are inexperienced in the use of this type of device, you should seek out information or training to learn how to handle it safely.

**● Original accessories / attachments**

- **Use only the accessories and attachments detailed in the operating instructions.** The use of accessories other than those recommended in the operating instructions could lead to you being in danger of injury.

**● Safety instructions for fine spray systems**

- **Keep your work area clean, well lit and free of paint or solvent containers, rags and other combustible materials.** Potential danger of spontaneous combustion. Keep fully functioning fire extinguishers / extinguishing equipment available at all times.
- **Ensure good ventilation in the spraying area and sufficient quantities of fresh air through-out the room.** Evaporating flammable solvents create an explosive environment.
- **Do not spray or clean with materials with a flashpoint below 21 °C. Use materials on the basis of water, low-volatile hydrocarbons or similar materials.** Highly volatile evaporating solvents create an explosive environment.
- **Do not spray in the area of ignition sources such as static electricity sparks, open flames, pilot lights, hot objects, motors, cigarettes and sparks from inserting and disconnecting power cords or the operation of switches.** Such sources of sparks can lead to ignition of the surrounding area.
- **Do not spray any materials for which it is not known whether they pose a danger.** Unknown materials can create dangerous conditions.

- **Wear additional personal protective equipment such as appropriate protective gloves and protective masks or respirators when spraying or handling chemicals.** The wearing of protective equipment in such conditions reduces exposure to harmful substances.
- **Do not spray on yourself, other people or animals. Keep hands and other body parts away from the spray jet.** If the spray penetrates the skin, seek medical help immediately. The material being sprayed can even penetrate the skin through a glove and be injected into your body.
- **Do not treat an injection as a simple cut. A high pressure jet may inject toxins into the body and cause serious injuries.** If the spray is injected into the skin, seek medical help immediately.
- **Pay attention to any possible dangers of the material being sprayed. Note the markings on the container or the manufacturer's information relating to the material being sprayed, including the instruction to use personal protective equipment.** The manufacturer's instructions must be followed to reduce the risk of fire, as well as injuries caused by toxins, carcinogens, etc.
- **Never spray without the nozzle head in place.** The use of a special nozzle insert with the appropriate nozzle head reduces the probability of a high-pressure jet penetrating the skin and injecting toxins into the body.

## ● Initial use

### ● HVLP properties

This device uses an HVLP system (High Volume Low Pressure). It ensures the increased application of (paint) materials with lower consumption.

**Important:** Do not exceed the maximum working pressure of 3 bar.


## ● Connecting the device

- Operate the product only with cleaned, condensate- and oil-free compressed air and never exceed the maximum working air pressure at the device of 3 bar.
- The compressed air source must be fitted with a (filter) / pressure reducer so that the air pressure can be regulated.

In order to operate this device you require a flexible compressed air hose with quick-release coupling and an appropriate source of compressed air.

Observe the operating and safety instructions of the compressed air source and any special instructions concerning paint preparation.

**Note:** Ensure the correct working pressure. An excessive working pressure leads to increased fine dispersion and results in too rapid evaporation of the liquid. The surfaces become rough and develop poor adhesion properties. If the working pressure is too low on the other hand, the paint material is not sufficiently atomised. Undulating surfaces and the formation of drops are the result.

- Connect the compressed air hose with the rapid-release coupling to the compressed air connection  of the device. This automatically locks into place.
- Use the filter pressure reducer of the compressed air source to set the working pressure to 3 bar.

## ● Preparing the spraying surface

- Mask off the surroundings of the spraying surface thoroughly over a wide area. Otherwise all non-covered areas or surfaces may become soiled.
- Make sure that the spraying surface is clean, dry and free of grease.
- Roughen smooth surfaces and then remove the sanding dust.

## ● Turning the device On / Off

### Working Instructions:

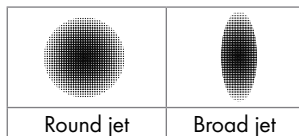
- Insert the filter in the gun (see Fig. C).



- When working with the device you should open the vent **1**.
  - When diluting the material, make sure that the spraying material and the dilution are suitable for one another. If an incorrect dilution is used, lumps may form and clog the gun as a result.
  - Screw the flow cup **3** clockwise firmly on to the gun.
  - Fill the spraying material into the flow cup **3** and screw the lid **2** on tight.
  - Always hold the paint spray gun at the same distance from the object. The ideal spraying distance is approximately 15 cm.
  - Determine the appropriate settings in each case by experimenting.
  - Do not turn the device on / off when it is over the spraying surface, but start and end the spraying process approximately 10 cm outside of the spraying area.
- Press the trigger **8** to start spraying and keep it held down.
  - In order to stop spraying, release the trigger **8** again.

## ● Adjusting the paint jet

The device has the settings round and broad jet.



### Adjusting the round jet:

- Use the round jet, for example, for small surfaces, corners and edges.
- Turn the regulator **5** in a clockwise direction **C**.

### Adjusting the broad jet:

- Use the broad jet vertically and horizontally over larger areas.
- Turn the regulator **5** in an anticlockwise direction **D**. The nozzle head **9** can be continuously adjusted vertically and horizontally by turning to the desired position.

## ● Regulating the quantity of paint

**Note:** The front locking screw is used to limit the adjustment range of the stroke stop screw **4**.

### Increasing the quantity of paint:

- Turn the stroke stop screw **4** in an anticlockwise direction.

### Reducing the quantity of paint:

- Turn the stroke stop screw **4** in a clockwise direction.

## ● Regulating the quantity of air

**Note:** It is advisable to start with the maximum amount of air. In order to do this, open the air volume regulator **7** as described below under "Increasing the air quantity" up to the maximum setting.

### Increasing the air quantity:

**Note:** Increasing the amount of air is generally advisable when the degree of atomization is too coarse.

- Turn the air quantity regulator **7** in an anticlockwise direction.

### Reducing the air quantity:

**Note:** Reducing the amount of air is generally advisable when the paint spray is too strong.

- Turn the air quantity regulator **7** in a clockwise direction.

## ● Maintenance and Cleaning

**Note:** Thorough cleaning after each use is very important for safety and operation. Otherwise, for example, the needle will become clogged and the proper functioning of the appliance can no longer be guaranteed.

- Wear suitable protective gloves when carrying out cleaning work.
- Do not use any hydrocarbon-containing halogen solvents, such as trichloromethyl, ethyl chloride, etc., as they undergo chemical reactions with

some materials of the paint spray gun. This can lead to dangerous reactions.

**⚠ ATTENTION!** Never immerse the paint spray gun completely in solvent.

- After each use, spray thinner (**only in the open air – danger of explosion!**) or water through the device.
- To clean the casing, nozzle head [9] and the spray holes inside it, use a cloth or the cleaning brush provided. Never use petrol, solvents or cleaning agents that attack plastic.
- First unscrew the stroke stop screw [4] by turning it anti-clockwise ↺.
- Remove the spring [11].
- Remove the needle [10] with the aid of pliers (see Fig. A).
- Clean the needle [10] carefully with the brush [12], also refer to Fig. B.
- Replace the needle [10] in the paint spray gun.
- Position the spring [11] on the end of the needle [10].
- Tighten the stroke stop screw [4] by turning it clockwise ↻.
- Unscrew the flow cup [3] from the gun by turning anticlockwise ↺.
- Remove the filter [13], as shown in Figure C, and clean it with the cleaning brush.
- Clean the interior screw thread [14] of the flow cup [3] with the cleaning brush (see Fig. D).
- Replace the filter in the gun (see Fig. C) and tighten the flow cup [3] by turning it clockwise ↻.
- For rust protection you can spray sewing machine oil through the device after cleaning.
- Lubricate all moving parts from time to time.
- After cleaning the needle, the thread and seal must be lightly treated with grease.
- Do not use any lubricants containing silicone.
- Only store compressed air tools in dry areas.

## ● Service

- **⚠ WARNING!** Compressed air-operated equipment should only be repaired by qualified specialists and with original spare parts. This will ensure that devices remain safe.

**Note:** Spare parts not listed (e.g. carbon brushes, switches) can be ordered through our call centre.

## ● Warranty

**The warranty for this appliance is for 3 years from the date of purchase. The appliance has been manufactured with care and meticulously examined before delivery. Please retain your receipt as proof of purchase. In the event of a warranty claim, please make contact by telephone with our Service Department. Only in this way can a post-free despatch for your goods be assured.**

The warranty covers only claims for material and manufacturing defects, but not for transport damage, for wearing parts or for damage to fragile components, e.g. buttons or batteries. This product is for private use only and is not intended for commercial use.

The warranty is void in the case of abusive and improper handling, use of force and internal tampering not carried out by our authorized service branch. Your statutory rights are not restricted in any way by this warranty.

The warranty period will not be extended by repairs made under warranty. This applies also to replaced and repaired parts. Any damage and defects extant on purchase must be reported immediately after unpacking the appliance, at the latest, two days after the purchase date. Repairs made after the expiration of the warranty period are subject to payment.

## GB

**Service Great Britain**

**Tel.: 0871 5000 720**

**(0.10 GBP/Min.)**

**e-mail: [kompennass@lidl.co.uk](mailto:kompennass@lidl.co.uk)**

**IAN 96898**

## ● Disposal



The packaging is wholly composed of environmentally-friendly materials that can be disposed of at a local recycling centre.

Contact your local refuse disposal authority for more details of how to dispose of your worn out electrical devices.

### **Environmental compatibility and disposal of materials:**

- Paint, varnishes etc. are special wastes which must be disposed of in the appropriate manner.
- Observe the regulations applicable in your area.
- Observe the manufacturer's instructions.
- Environmentally damaging chemicals must not be allowed to enter the soil, groundwater or watercourses.
- Carrying out spraying at the edge of watercourses or adjoining areas (catchments) is therefore prohibited.
- Consider their environmental compatibility when buying paints, varnishes etc.

## ● Translation of the original declaration of conformity / Manufacturer C€

We, KOMPERNASS HANDELS GMBH, the person responsible for documents: Mr Semi Uguzlu, BURGSTRASSE 21, 44867 BOCHUM, GERMANY, hereby declare that this product complies with the following standards, normative documents and EU directives:

### **Machinery Directive (2006 / 42 / EC)**

**Applicable harmonized standards**  
EN 1953:2013

**Type / Machine designation:**  
Air paint spray gun PDFP 500 B2

**Date of manufacture (DOM): 05-2014**  
**Serial number: IAN 96898**

Bochum, 31.05.2014

A handwritten signature in black ink, appearing to read 'Semi Uguzlu', written in a cursive style.

Semi Uguzlu  
- Quality Manager -

We reserve the right to make technical modifications in the course of product development.



**Bevezetés**

Rendeltetésszerű használat .....	Oldal 14
Felszerelés .....	Oldal 14
A szállítmány tartalma .....	Oldal 14
Műszaki adatok .....	Oldal 14

**Biztonsági tudnivalók**.....Oldal 14

Originál tartozékok/ - kiegészítő készülékek.....	Oldal 15
Finom szórórendszerekre vonatkozó biztonsági tudnivalók.....	Oldal 15

**Üzembevételel**

HVLP-tulajdonságok .....	Oldal 16
A készülék csatlakoztatása.....	Oldal 16
A beszórni való felület előkészítése.....	Oldal 17
A készülék be-/ kikapcsolása.....	Oldal 17
A festéksugár beállítása.....	Oldal 17
A festékmennyiség szabályzása.....	Oldal 17
A légmennyiség szabályzása.....	Oldal 17

**Karbantartás és tisztítás**.....Oldal 18**Szerviz**.....Oldal 18**Garancia**.....Oldal 18**Mentesítés**.....Oldal 19**Az eredeti EU-Megfelelőségi Nyilatkozat fordítása / Gyártó**.....Oldal 19**Jótállási tájékoztató**.....Oldal 20

## Sűrített levegős festékszóró pisztoly PDFP 500 B2

### ● Bevezetés

Gratulálunk új készülékének vásárlása alkalmából. Ezzel a döntésével vállalatunk értékes terméke mellett döntött. A használati utasítás ezen termék része. A biztonságra, a használatára és a megsemmisítésre vonatkozó fontos tudnivalókat tartalmazza. A termék használata előtt ismerje meg az összes használati és biztonsági tudnivalót. A terméket csak a leírtak szerint és a megadott felhasználási területeken alkalmazza. A termék harmadik személy számára való továbbadása esetén kézbesítse vele annak a teljes dokumentációját is.

### ● Rendeltetészerű használat

A sűrített levegővel üzemeltetett készülék csak oldószer tartalmú és vízzel hígítható lakkfestékek, lazurok, alapozók, átlátszó lakkok, autó fedőlakkok, pácok, favédő szerek, növényvédő szerek, olajok és fertőtlenítő szerek felhordására / permetezésére készült. A készülék nem alkalmas diszperziós- és latex-festékek, lúgok, savtartalmú bevonó anyagok, szemcsés és szilárd anyag tartalmú szórni való anyagok, valamint szórás- és csepegés gátlót tartalmazó anyagok feldolgozására. Minden másfajta alkalmazás, vagy a gép megváltoztatása nem rendeltetészerűnek számít és jelentős balesetveszélyeket rejt magában. A rendeltetésétől eltérő alkalmazásból származó károkért nem állunk jót. A készüléket csak privát használatra tervezték.

### ● Felszerelés

- 1 Légtelenítés
- 2 Folyadéktartály- fedél
- 3 Folyadéktartály (dűzni)
- 4 Tűrgázító csavar (színmenyiség- szabályozás)
- 5 Sugár- szabályozó
- 6 Magasnyomású levegő - csatlakozó
- 7 Levegőmenyiség- szabályozó
- 8 Húzókar (ravasz)

- 9 Fúvókafej
- 10 Tű
- 11 Rugó
- 12 Kefe
- 13 Szűrő
- 14 Belső csavarment (folyadéktartály)

### ● A szállítmány tartalma

- 1 sűrített levegős festékszóró pisztoly PDFP 500 B2
- 1 festéktartály
- 1 festéktartály fedele
- 1 tisztító kefe
- 1 szűrő
- 1 használati útmutató

### ● Műszaki adatok

Szükséges légminőség: megtisztított, kondenzvíz- és olajmentes

Levegő felhasználás: max. 380 l/perc

Munkanyomás: max. 3 bar

Átfolyási mennyiség: tipikusan 130-160ml/perc.

Fúvóka nagysága: Ø 1,4 mm

Festéktartály: 500 ml

Ajánlott viszkozitás: 18-23 DIN/Sec.

Hangnyomásszint: 72,1 dB(A)

A mérési értékek az EN 14462 szerint megállapítva.

### ● Biztonsági tudnivalók



**FIGYELMEZTETÉS! Olvassa el az összes biztonsági utalást és utasítást.** A biztonsági utalások

és utasítások betartása alkalmával elkövetett mulasztások súlyos sérüléseket és/vagy tárgyi károsodásokat okozhatnak.

**Őrizze meg az összes biztonsági utalást és utasítást a jövő számára!**

**FIGYELMEZTETÉS! VISSZARÚGÓ ERŐ!**

Magas munkanyomásonál visszarágó erők állhatnak elő, amelyek adott esetben túlterhelések által veszélyeztetésekhez vezethetnek.

**▲ FIGYELMEZTETÉS! FULLADÁSVESZÉLY!**  
Nitrogénnel való munkáknál fulladásveszély áll fenn! Ezért csak jól szellőztetett helyiségekben dolgozzon!

**▲ FIGYELMEZTETÉS! SÉRÜLÉSVESZÉLY!**  
Sohase lépje túl a 3 bar maximálisan megengedett munkanyomást. A munkanyomás beállításához használjon nyomáscsökkentőt.

■ **SÉRÜLÉSVESZÉLY! VISSZAÉLÉSSZERŰ HASZNÁLAT!** Ne irányítsa a készüléket emberekre és /vagy állatokra.

■ **ROBBANÁS- /TŰZVESZÉLY–DOHÁNYOZNI TILOS!** Ne gyújtson szikrákat vagy nyílt tüzeket.

**▲ FIGYELMEZTETÉS! SÉRÜLÉSVESZÉLY!**  
Energiaforrásnak sohasem használjon oxigént vagy más gyúlékony gázokat.

**▲ FIGYELMEZTETÉS! SÉRÜLÉSVESZÉLY!**  
Oldja le előbb a tömlőt a sűrített levegő forrásról és csak azután távolítsa el az ellátó tömlőt a készülékről. Ezáltal megakadályozza az ellátó tömlő ellenőrzetlen rángatózását.

■ **A saját személyes védelmére használjon megfelelő testvédelmi eszközöket.** Viseljen aktív szén szűrős légzésvédőt és védőszemüveget.

■ **A készülék használata közben tartsa a gyerekeket és más személyeket távol.** A figyelme elterelődése esetén elveszítheti a készülék feletti uralmát.

■ A javítási- és karbantartási munkák, valamint üzemelés megszakítások és szállítások előtt válassza le a készüléket a sűrített levegő forrásról.

■ A tömlőcsatlakozó kioldása alkalmával a visszacsapódó tömlő általi sérülések elkerülésére tartsa a tömlőt a kezében szorosan.

■ **Figyeljen oda a készülék károsodásaira.** Ha a készüléken fogyatékos állapot állapít meg, semmi esetre sem szabad azt üzembe venni.

■ Ne törje meg a készülék tömlőjét. Ellenkező esetben az megsérülhet.

■ Kérjük vegye figyelembe a szórni való anyag gyártóinak a biztonsági utalásait.

■ **Legyen mindig figyelmes, ügyeljen arra amit tesz és kezdje el a munkát körültekintően. Ne használja a készüléket**

**ha fáradt, vagy ha drogok, alkohol vagy gyógyszerek hatása alatt áll.**

■ Ne távolítson el a készülékről típusablakokat – azok a készülék biztonsági szempontból releváns alkotó részei.

■ Ha a készülékkel való járással még tapasztalatlan, hagyja magát betanítani a készülékkel való veszélyek nélküli járással.

## ● **Original tartozékok / -kiegészítő készülékek**

■ **Csak azokat a tartozékokat és kiegészítő készülékeket használja amelyeket a Használati útmutatóban megadtak.**

A Használati útmutatóban megadottaktól eltérő tartozékrészek az Ön számára sérülésveszélyt jelenthetnek.

## ● **Finom szórórendszerekre vonatkozó biztonsági tudnivalók**

■ **Tartsa a munka környékét tisztán, jól kivilágítva és festék- vagy oldószer-tartályoktól, rongyoktól és más gyúlékony anyagoktól mentesen.** Öngyulladás lehetséges veszélye. Gondoskodjon róla, hogy működőképes tűzoltó készülékek / oltókészülékek mindig a rendelkezésére álljanak.

■ **A szórási körzetben gondoskodjon kielégítő szellőztetésről és az egész helyiség megfelelő frisslevegővel való ellátásáról.** Az elpárolgott oldószerek robbanékony környezetet hoznak létre.

■ **Ne szórjon és ne tisztítson olyan anyagokkal, amelyek lobbanáspontja 21 °C alatt van. Használjon vízalapú, nehezen illó szénhidrát alapú vagy hasonló anyagokat.** Könnyen párolgó oldószerek robbanékony környezetet hoznak létre.

■ **Ne szórjon gyulladási források, mint például elektromos szikrák, nyílt lángok, gyújtó lángok, forró tárgyak, motorok, égő cigaretták közelében, vagy olyan környezetben, amelyekben**

**áramot vezető kábelek csatlakoztatása és leválasztása által vagy kapcsolók kezelése által szikrák jöhetnek létre.**

Az ilyen gyulladási források a környezet kigyulladásához vezethetnek.

- **Ne szórjon a készülékkel olyan anyagokat, amelyekről nem lehet tudni, hogy veszélyesek e.** Ismeretlen anyagok veszélyeztető feltételeket hozhatnak létre.
- **A szórás vagy vegyszerek kezelése alkalmával viseljen kiegészítő személyes védelmi felszerelést, mint pld. védőkesztyűt és védő- vagy légzésvédő álarcot.** A rájuk vonatkozó feltételek alkalmával viselt védőfelszerelés csökkenti a veszélyeztető anyagok hatásának való kitételt.
- **Ne szórjon saját magára, más személyekre vagy állatokra. Tartsa a kezét és a többi testrészét a szórási sugártól távol.** Ha a szórási sugár a bőrén áthatol, vegye igénybe azonnal egy orvos segítségét. A szórási anyag még magán a kesztyűn keresztül is képes a bőrön áthatolni és a testébe behatolni.
- **A behatolást ne kezelje úgy, mintha egyszerű sérülés lenne. A nagynyomású sugár mérgező anyagokat fecskendezhet a testébe és komoly sérüléseket okozhat.** A bőrbe fecskendezés esetén vegye azonnal igénybe egy orvos segítségét.
- **Óvakodjon a szórni való anyagok mindenkorai veszélyességétől. Vegye figyelembe a tartályokon található megjelöléseket, vagy a szórni való anyagok gyártóinak az információs anyagát, beleértve a személyes védőfelszerelés viselésére való felszólítást.** Tűz, valamint mérgező anyagok, karcinogének stb. által okozott sérülések kockázatának a lecsökkentése érdekében be kell tartani a gyártó utasításait.
- **Sohase szórjon felszerelt fúvókafej nélkül.** Speciális fúvókabetétnel találó fúvókafejjel való használata lecsökkenti annak a valószínűségét, hogy a magas nyomású sugár a bőrön áthatoljon és mérget fecskendezzen a testébe.

● **Üzembevétele**

● **HVLP-tulajdonságok**

Ez a készülék egy HVLP-rendszerrel (High Volume Low Pressure) rendelkezik. Ez kisebb fogyasztásnál nagyobb anyagfelhordásról (festék-) gondoskodik.

**Fontos:** Ne lépje túl a maximális 3 bar-os munkanyomást.

● **A készülék csatlakoztatása**

- A terméket kizárólag megtisztított, kondenzvíz- és olajmentes sűrített levegővel szabad üzemeltetni és vele nem szabad a 3 bar maximális munkanyomást túllépni.
- Ahhoz, hogy a légnyomást szabályozni tudja, a sűrített levegő forrás egy (szűrő)-nyomáscsökkentővel kell ellátva legyen.

Ennek a készüléknek az üzemeltetéséhez egy gyorscsatlakozóval ellátott sűrített levegős flexibilis tömlőre és egy megfelelő sűrített levegő forrásra van szüksége.

Vegye figyelembe a sűrített levegő forrás használati és biztonsági utasításait és a festékek előkészítésére vonatkozó különleges utasításokat.

**Utalás:** Ügyeljen a helyes munkanyomásra. A túl magas munkanyomás erős finom porlasztáshoz vezet és az a folyadék túl gyors elpárolgását eredményezi. A felületek érdesek lesznek és rossz tapadási tulajdonságúak lesznek. Ha ezzel szemben a munkanyomás túl alacsony, a festékanyag nem lesz kielégítő módon szétporlasztva. Az eredmény hullámos felületek és cseppek képződése lesz.

- Csatlakoztassa a gyorscsatlakozós sűrített levegős flexibilis tömlőt a készülék sűrített levegő csatlakozójához [6]. A reteszelés automatikusan megtörténik.
- Állítsa be a sűrített levegő forrás szűrő-nyomáscsökkentőjénél a 3 bar munkanyomást.



## ● A beszórni való felület előkészítése

- Takarja le a beszórni való felület környékét tágasan és alaposan. Ellenkező esetben az összes nem latakart felület beszennyeződhet.
- Biztosítsa, hogy a beszórni való felület tiszta, száraz és zsírmenetes legyen.
- Érdesítse meg a sima felületeket és utána távolítsa el róla a csiszolási port.

## ● A készülék BE- / Kikapcsolása

### A munkára vonatkozó utalások:

- Helyezze be a szűrőt a pisztolyba (lásd a C ábrát).
- A munkafolyamat idejére nyissa ki a szellőztetőt **1**.
- A hígításnál ügyeljen arra, hogy a szórni való anyag és a hígító egymáshoz találjanak. Téves hígító használata esetén csomók keletkezhetnek és ennek következtében a pisztoly eldugulhat.
- Csavarja a festéktartályt **3** az óramutató járásának az irányában szorosan a pisztolyra.
- Töltse a szórni való anyagot a festéktartályba **3** és csavarja rá a fedelet **2** szorosan.
- Tartsa a festékszóró pisztolyt a beszórni való tányérról mindig azonos távolságra. Az ideális szórási távolság kb. 15 cm.
- Állapítsa meg a mindenkor megfelelő beállításokat kísérletek által.
- Ne kapcsolja BE/KI a készüléket a beszóró felület felett, hanem kezdje el és fejezze be a szórási eljárást kb. 10 cm-el a beszóró felületen kívül.
- A bekapcsoláshoz nyomja le a kioldó ravaszt **8** és tartsa azt lenyomva.
- Az üzemeltetés befejezéséhez engedje el újr a kioldó ravaszt **8**.

## ● A festéksugár beállítása

A készülék kerek sugárral és széles sugárral tud szórni.



### A kerek sugár beállítása:

- Kerek sugarat például kis felületeknél, sarkoknál és széleknél alkalmazzon.
- Csavarja a szabályzót **5** az óramutató járásának az irányába **C**.

### A széles sugár beállítása:

- A széles sugarat függőlegesen és vízszintesen nagyobb felületeknél használja.
- Csavarja a szabályzót **5** az óramutató járásával ellentétes irányba **C**.  
A fúvókafejet **9** vízszintesen és függőlegesen csavarás által fokozatmentesen állíthatja be a kívánt helyzetbe.

## ● A festékmennyiség szabályzása

**Utalás:** Az első reteszelő csavar arra szolgál, hogy a festékmennyiség szabályzó **4** beállítási tartományát korlátozza.

### A festékmennyiség növelése:

- Csavarja a festékmennyiség szabályzót **4** az óramutató járásával ellentétes irányba.

### A festékmennyiség csökkentése:

- Csavarja a festékmennyiség szabályzót **4** az óramutató járásának az irányába.

## ● A légmennyiség szabályzása

**Utalás:** Azt ajánljuk, hogy a munkát a maximális légmennyiséggel kezdje el. Ebből a célból nyissa ki a légmennyiség szabályzót **7** az alább „A légmennyiség növelése”-ben leírtak szerint a maximális beállításig.

## A légmennyiség növelése:

**Utalás:** A légmennyiség növelése általában a durvább szórásnál ajánlatos.

- Csavarja a légmennyiség szabályzót [7] az óramutató járásával ellentétes irányba.

## A légmennyiség csökkentése:

**Utalás:** A légmennyiség csökkentése általában a túl erős festékköd esetén ajánlatos.

- Csavarja a légmennyiség szabályzót [7] az óramutató járásának az irányába.

## ● Karbantartás és tisztítás

**Utalás:** Az alapos tisztítás minden használat után nagyon fontos a biztonsághoz és az üzemeléshez. Ellenkező esetben például eldugul a tű és nem biztosított a készülék kifogástalan működése.

- Tisztítási munkálatok során viseljen megfelelő védőkesztyűt.
- Ne használjon szénhidrogén- tartalmú halogén- oldószert, mint amilyen a triklór-metil, etilklorid, stb., mivel azok reakcióba léphetnek a festékszóró- pisztoly egyes anyagaival. Ez veszélyes reakciókhoz vezethet.

**▲ FIGYELEM!** Soha ne tegye az egész festékszóró-pisztolyt oldószerbe.

- Minden használat után spricceljen oldószert **(csak a szabadban- robbanásveszély!)** ill. vizet az eszközzel.
- A burkolat, a fúvókafej [9] és az abban található szórólyukak tisztításához használja a mellékelt tisztítókefét, vagy egy kendőt. Soha ne használjon benzint, oldószert, vagy olyan tisztítót, mely kikezdi a műanyagot.
- Először csavarja ki az óra járásával ellentétesen ↻ a tűrőgázító csavart [4].
- Vegye ki a rugó [11].
- Egy csipesz segítségével vegye ki a tűt [10] (ld. A- ábra).
- Tisztítsa meg gondosan a tűt [10] a kefével [12], ehhez nézze meg a B- ábrát is.
- Helyezze vissza a tűt [10] a festékszóró- pisztolyba.
- Tegye a rugót [11] a tű végére [10].
- Csavarja vissza az óra járásával megegyezően ⚙ a tűtartó csavart [4].

- Az óra járásával ellentétesen ↻ csavarja le a folyadéktartályt [3] a pisztolyról.
- A C- ábrán látható módon vegye ki a szűrőt [13] és tisztítsa meg a kefével.
- A folyadéktartály [3] belső csavarmentét [14] is tisztítsa meg a kefével (ld. D- ábra).
- Tegye vissza a szűrőt a pisztolyba (ld. C- ábra) és az óra járásával megegyezően ⚙ csavarja vissza a folyadéktartályt [3].
- Rozsda elleni védelemként a tisztítást követően spriccelhetünk vele egy kis varrógépolajat.
- Időnként olajozzon meg minden mozgó részt.
- A tű tisztítását követően a menetet és a tömítést enyhén be kell zsírozni.
- Ne használjon szilikontartalmú zsírozószert.
- Csak száraz helyiségben tároljon magasnyomású készülékeket.

## ● Szerviz

- **▲ FIGYELMEZTETÉS!** A sűrített levegővel üzemeltetett készülékeket csak képzett szakszeméllyel és csak original cseralkatrészek használatával javíttassa. Ezáltal biztosítja, hogy az elektromos szerszámának a biztonságossága megmaradjon.

**Tudnivaló:** A nem felsorolt tartozékokat (mint pl. szénkefét, kapcsolókat) Callcenter-ünkön keresztül rendelheti meg.

## ● Garancia

**A készülékre 3 év garanciát adunk a vásárlás dátumától számítva. A készüléket gondosan gyártottuk, és szállítás előtt lelkiismeretesen ellenőriztük. Kérjük, a vásárlás igazolására őrizze meg a pénztári blokkot. Kérjük, garanciaigény esetén vegye fel a kapcsolatot telefonon az Ön közelében lévő szervizzel. Csak ebben az esetben garantálhatjuk, hogy ingyen tudja beküldeni az árut.**

A garancia csak anyag- és gyártási hibára vonatkozik, nem pedig szállítási kár, kopásra vagy törekeny részek (pl. kapcsoló vagy elem) sérülésére. A termék kizárólag magánhasználatra, nem üzleti használatra készült.

A garancia érvényét veszti visszaélészerű vagy szakavatatlan kezelés, erőszak alkalmazása vagy olyan beavatkozások esetén, amelyeket nem engedélyezett szervizelő üzleteink hajtottak végre. Az ön törvényes jogait ez a garancia nem korlátozza.

A garanciaidő nem hosszabbodik a jótállással. Ez a kicserélt vagy javított alkatrészekre is érvényes. Az esetlegesen már a megvételkor meglévő károkat és hiányosságokat azonnal kicsomagolás után, legkésőbb két nappal a vétel dátumától számítva jelezni kell. A garanciális idő lejártá után esedékes javítások térítéskötelesek.

**HU**

**Szerviz Magyarország**

**Tel.: 0640 102785**

**e-mail: kompernass@lidl.hu**

**IAN 96898**

## ● Mentésítés



A csomagolás környezetbarát anyagokból áll, amelyeket a helyi újraértékesítési helyeken mentésíthet.

A kiszolgált készülék mentésítésének a lehetőségeit községe, vagy városa illetékes hivatalánál tudhatja meg.

## **Környezeti összeférhetőség és az anyagok mentésítése:**

- A festékek, lakkok... különleges hulladékok, amelyeket annak megfelelően kell mentésíteni.
- Vegye figyelembe a helyi előírásokat.
- Vegye figyelembe a gyártó utalásait.
- A környezetre káros vegyszereknek nem szabad a talajba, a talajvízbe vagy a vizekbe jutni.
- Ezért szórás munkák végzése vizek partján, vagy azokkal szomszédos területeken (vízgyűjtő területek) nem megengedett.

- A festékek, lakkok... vásárlása alkalmával vegye figyelembe azok környezeti összeférhetőségét.

## ● Az eredeti EU-Megfelelőségi Nyilatkozat fordítása / Gyártó CE

Mi, a KOMPERNASS HANDELS GMBH, dokumentációért felelős: Herr Semi Uguzlu, BURGSTRASSE 21, 44867 BOCHUM, GERMANY, ezúton nyilatkozunk, hogy a termék a következő szabványoknak, szabványos okiratoknak és EG-irányelveknek megfelel:

### **Gépészeti irányelv (2006 / 42 / EC)**

**Alkalmazott összehangolt szabványok**  
EN 1953:2013

### **Típus / A készülék megnevezése:**

Sűrített levegős festékszóró pisztoly PDFP 500 B2

### **Date of manufacture (DOM): 05-2014**

**Sorozatszám: IAN 96898**

Bochum, 31.05.2014

Semi Uguzlu

- Minőségsz. menedzser -

Fenntartjuk a jogot a továbbfejlesztés érdekében történő műszaki módosításokra.

A termék megnevezése: SÚRÍTETT LEVEGŐS FESTÉKSZÓRÓ PISZTOLY	Gyártási szám: 96898
A termék típusa: PDFP 500 B2	A termék azonosításra alkalmas részeinek meghatározása:
A gyártó cégneve, címe és email címe: KOMPERNASS HANDELS GMBH, BURGSTR. 21 44867 BOCHUM, GERMANY	A szerviz neve, címe és telefonszáma: Szerviz Magyarország / Hornos Ltd. Zrinyi Utca 39, 2600 Vac, Tel.: 0640 102785
Az importáló és forgalmazó cégneve és címe: Lidl Magyarország Kereskedelmi Bt., H-1037 Budapest, Rádl árok 6.	

1. A jótállási idő a Magyar Köztársaság területén, Lidl Magyarország Kereskedelmi Bt. üzletében történt vásárlás napjától számított 3 év.
2. A jótállási igény a jótállási jeggyel érvényesíthető. A jótállási jegy szabálytalan kiállítása, vagy átadásának elmaradása nem érinti a jótállási kötelezettség-vállalás érvényességét.  
Kérjük, hogy a vásárlás tényének és időpontjának bizonyítására őrizze meg a pénztári fizetésnél kapott jótállási jegyet (nyugtát).
3. A vásárlástól számított három napon belül érvényesített csereigény esetén a forgalmazó köteles a terméket kicserélni, feltéve ha a hiba a rendeltetészerű használatot akadályozza.  
A jótállási jogokat a termék tulajdonosaként a fogyasztó érvényesítheti az áruházakban, valamint a jótállási tájékoztatóban feltüntetett szervizekben.

A fogyasztó jótállási kifogásáról a forgalmazó (szerviz) jegyzőkönyvet köteles felvenni, amelyben rögzíteni kell a fogyasztó nevét, címét, a fogyasztási cikk (termék) megnevezését, vételárát, a vásárlás időpontját, a hiba bejelentésének időpontját, a hiba leírását, a fogyasztó által érvényesíteni kívánt igényt, a kifogás rendezésének módját.

Amennyiben a kifogás rendezésének módja a fogyasztó igényétől eltér, ennek indokolását a jegyzőkönyvben meg kell adni. A jegyzőkönyv másolatát a fogyasztónak át kell adni. Ha a kötelezett a fogyasztó igényének teljesíthetőségéről annak bejelentésekor nem tud nyilatkozni, álláspontjáról legkésőbb három munkanapon belül köteles értesíteni a fogyasztót.

A jótállás ideje alatt a fogyasztó kérheti a termék kijavítását, kicserélését, vagy ha a termék nem javítható vagy cserélhető, árleszállítást kérhet, vagy elállhat a szerződéstől és visszakérheti a vételárát. Ha a forgalmazó, vagy szerviz a termék kijavítását megfelelő határidőre nem vállalja, vagy nem végzi el, a fogyasztó a hibát a forgalmazó költségére kijavíthatja, vagy mással kijavíttathatja. A kijavítás során a termékbe csak új alkatrész kerülhet beépítésre.

4. A fogyasztó a hiba felfedezése után a lehető legrövidebb időn belül köteles a hibát bejelenteni és a terméket a jótállási jogok érvényesítése céljából átadni. A hiba felfedezésétől számított két hónapon belül bejelentett jótállási igényt időben közölnék kell tekinteni. A közlés elmaradásából eredő kárért

- a fogyasztó felelős. A jótállási igény érvényesíthetőségének határideje a termék, vagy fődarabjának kicserélése, kijávítása esetén a kicserélt, vagy kijávított termékre, illetve alkatrésze újra kezdődik.
5. A rögzített bekötésű, illetve a 10 kg-nál súlyosabb, vagy tömegközlekedési eszközön nem szállítható terméket az üzemeltetés helyén kell megjavítani. Abban az esetben, ha a javítás a helyszínen nem végezhető el, a termék ki- és visszaszereléséről, valamint szállításáról a forgalmazónak kell gondoskodnia.
6. A jótállás nem áll fenn, ha a hiba a nem rendeltetésszerű használatból, átalakításból, helytelen tárolásból, vagy a használati utasítástól eltérő kezelésből, vagy bármely a vásárlást követő behatásból fakad, vagy elemi kár okozta, és azt a forgalmazó, vagy a szerviz bizonyítja. A jótállás nem vonatkozik a mozgó kopó alkatrészek (világítótestek, gumiabroncsok stb.) rendeltetésszerű elhasználódására. A szerviz és a forgalmazó a kijávítás során nem felel a terméken a fogyasztó vagy harmadik személyek által tárolt adatokért vagy beállításokért.

A jótállás a fogyasztó törvényből eredő szavatossági jogait és azok érvényesíthetőségét nem érinti.

<p>A jótállási igény bejelentésének és javításra átvételi időpontja:</p>	<p>A hiba oka:</p>
<p>A fogyasztó részére történő visszaadás időpontja:</p>	<p>A hiba javításának módja:</p>
<p>A szerviz bélyegzője, kelt és aláírása:</p>	<p>A javításra tekintettel a jótállás új határideje:</p>



**Uvod**

Namen uporabe.....	Stran 24
Oprema.....	Stran 24
Obseg dobave.....	Stran 24
Tehnični podatki.....	Stran 24

<b>Varnostna opozorila</b> .....	Stran 24
Originalna oprema / originalne dodatne naprave.....	Stran 25
Varnostna navodila za fine razpršilne sisteme.....	Stran 25

**Začetek uporabe**

Lastnosti HVLP.....	Stran 26
Priključitev naprave.....	Stran 26
Pripravljanje posode z razpršilom.....	Stran 26
Vklop / izklop naprave.....	Stran 26
Nastavljanje barvnega curka.....	Stran 27
Reguliranje količine barve.....	Stran 27
Reguliranje količine zraka.....	Stran 27

<b>Vzdrževanje in čiščenje</b> .....	Stran 27
--------------------------------------	----------

<b>Servis</b> .....	Stran 28
---------------------	----------

<b>Garancija</b> .....	Stran 28
------------------------	----------

<b>Odstranjevanje</b> .....	Stran 29
-----------------------------	----------

<b>Prevod izvirne izjave o skladnosti ES / Proizvajalec</b> .....	Stran 29
---	----------

<b>Garancijski list</b> .....	Stran 30
-------------------------------	----------

## **Pištopla za brizganje barve na stisnjen zrak PDFP 500 B2**

### ● **Uvod**

Iskrene čestitke ob nakupu vaše nove naprave. Odločili ste se za zelo kakovosten izdelek. To navodilo za uporabo je sestavni del tega izdelka. Vsebuje pomembna navodila za varnost, uporabo in odstranitev. Preden začnete izdelek uporabljati, se seznanite z vsemi navodili za uporabo in varnostnimi napotki. Izdelek uporabljajte samo tako, kot je opisano, in samo za navedena področja uporabe. Če izdelek odstopite novemu lastniku, mu zraven izročite tudi vse dokumente.

### ● **Namen uporabe**

Naprava na komprimiran zrak je namenjena le za nanašanje / razprševanje sredstev, ki vsebujejo topila ali so redčena z vodo, kot so laki, lazure, temeljni premazi, prozorni laki, kritni laki za motorna vozila, lužila, sredstva za zaščito lesa, sredstva za zaščito rastlin, olja in dezinfekcijska sredstva. Naprava ni primerna za obdelavo disperzijskih in lateks barv, lužin, premazov, ki vsebujejo kisline, zrnastih razpršil in razpršil, ki vsebujejo delce, ter materialov, katerih pršenje in kapljanje je zavrto. Kakršnakoli drugačna uporaba ali sprememba naprave ni v skladu z določili in predstavlja znatno nevarnost nesreč. Za škodo, nastalo pri uporabi, ki ni v skladu z določili, ne prevzamemo jamstva. Naprava je namenjena samo za privatno uporabo.

### ● **Oprema**

- 1 zračnik
- 2 pokrov posode za tekočino
- 3 posoda za tekočino
- 4 udarni hodni vijak (za uravnavanje količine barve)
- 5 uravnavnik za okrogli / široki curek
- 6 priključek za stisnjeni zrak
- 7 uravnavnik količine zraka
- 8 sprožilna ročica
- 9 glava šobe

- 10 igla
- 11 vzmet
- 12 ščetka
- 13 filter
- 14 notranji navoj (posoda za tekočino)

### ● **Obseg dobave**

- 1 pištola za brizganje barve na stisnjen zrak PDFP 500 B2
- 1 posoda za tekočino
- 1 pokrov za posodo za tekočino
- 1 ščetka za čiščenje
- 1 filter
- 1 navodilo za uporabo

### ● **Tehnični podatki**

- Potrebna kvaliteta zraka: očiščen, brez kondenzata in olj
- Poraba zraka: največ 380 l / min
- Delovni tlak: največ 3 bar
- Volumski pretok: tipično 130–160 ml / min
- Velikost šobe: Ø 1,4 mm
- Posoda za tekočino: 500 ml
- Priporočena viskoznost: 18–23 DIN / s.
- Nivo zvočnega tlaka: 72,1 dB(A)
- Izmerjena vrednost določena v skladu z EN 14462.

### ● **Varnostna opozorila**



**⚠ OPOZORILO! Preberite vsa varnostna opozorila in navodila.** Neupoštevanje varnostnih opozoril in navodil lahko povzroči hude poškodbe in / ali materialno škodo.

**Vsa varnostna opozorila in navodila shranite za uporabo v prihodnje!**

**⚠ OPOZORILO! POVRATNE SILE!** Pri visokih delovnih tlakih lahko pride do pojava povratnih sil, ki morda lahko vodijo do nevarnosti zaradi stalne obremenitve.



**⚠ OPOZORILO! NEVARNOST ZADUŠITVE!** Pri delu z dušikom obstaja nevarnost zadužitve! Zato delajte samo v dobro zračenih prostorih!

**⚠ OPOZORILO! NEVARNOST POŠKODB!** Nikoli ne prekoračite največjega dovoljenega delovnega tlaka 3 bar. Za nastavitev delovnega tlaka uporabljajte reducirni ventil.

- **NEVARNOST POŠKODB! ZLORABA!** Naprave nikoli ne usmerite direktno v ljudi in /ali živali.
- **NEVARNOST EKSPLOZIJE / POŽARA – PREPOVEDANO KADITI!** Ne zanetite isker ali odprtega ognja.

**⚠ OPOZORILO! NEVARNOST POŠKODB!** Nikoli ne uporabljajte kisika ali drugih vnetljivih plinov kot vir energije.

**⚠ OPOZORILO! NEVARNOST POŠKODB!** Najprej z vira komprimiranega zraka ločite gibko cev in šele nato odstranite dovodno gibko cev z naprave. Tako preprečite nekontrolirano vrtnčenje oz. povratni udarec dovodne gibke cevi.

- **Za vašo osebno varnost uporabljajte ustrezna sredstva za zaščito telesa.** Nosite zaščitno dihalno masko z aktivnim ogljenim filtrom in zaščitna očala.
- **Otrok in drugih oseb med uporabo naprave ne pustite zraven.** Če niste pozorni, lahko izgubite nadzor nad napravo.
- Pred popravili in vzdrževalnimi deli ter pred delovnimi prekinitvami in pred transportom napravo odstranite z vira komprimiranega zraka.
- Pri ločevanju priključka gibke cevi gibko cev držite v roki, da preprečite poškodbe, ki bi lahko nastale, če bi gibka cev skočila nazaj.
- **Pazite na poškodbe.** Pred začetkom uporabe napravo prekontrolirajte, ali kaže kakršnekoli znake poškodb. Če naprava kaže znake okvar, se je na noben način ne sme uporabljati.
- Gibke cevi naprave ne prepogibajte. V nasprotnem primeru se lahko le-ta poškoduje.
- Prosimo, upoštevajte varnostna opozorila proizvajalca pršila.
- **Vedno bodite pozorni in pazite na to, kaj delate, in delo opravljajte s pametjo.** Naprave ne uporabljajte, kadar ste

utrujeni ali pod vplivom drog, alkohola ali zdravil.

- Ploščic z oznako tipa ne odstranite – so varnostno relevantni sestavni deli naprave.
- Če ste neizkušeni v ravnanju z napravo, se morate poučiti o nenevarnem rokovanju.

## ● Originalna oprema / originalne dodatne naprave

- **Uporabljajte samo dodatno opremo in dodatne naprave, ki so navedene v navodilu za uporabo.** Uporaba druge opreme, kot je priporočena v navodilu za uporabo, lahko za vas predstavlja nevarnost poškodb.

## ● Varnostna navodila za fine razpršilne sisteme

- **Delovno območje naj bo čisto, dobro osvetljeno in brez posod z barvo ali topili, brez krp in drugih vnetljivih materialov.** Možna nevarnost samovžiga. Vedno imejte na razpologo delujoče gasilne aparate.
- **Skrbite za dobro zračenje v območju pršenja in za dovolj svežega zraka v celotnem prostoru.** Izparela vnetljiva topila povzročijo eksplozivno okolje.
- **Ne razpršujte in ne čistite materialov, katerih vnetišče leži pod 21 °C. Ne uporabljajte materialov na osnovi vode, močno hlapljivih ogljikovodikov ali podobnih materialov.** Lahko hlapljiva topila povzročijo eksplozivno okolje.
- **Ne razpršujte v območju virov vžiga kot so iskre statične elektrike, odprt ogenj, vžigalni plameni, vroči predmeti, motorji, cigarete in iskre zaradi vtikanja in iztikanja električnih kablov ali uporabljanja stikal.** Takšni viri isker lahko povzročijo vžig okolice.
- **Ne razpršujte materialov, pri katerih ni znano, ali predstavljajo nevarnost.** Neznani materiali lahko ustvarijo nevarne pogoje.

- **Pri razprševanju kemikalij ali pri rokovanju z njimi nosite dodatno osebno zaščitno opremo kot so ustrezne zaščitne rokavice in zaščitna ali dihalna maska.** Nošenje zaščitne opreme za ustrezne pogoje zmanjšuje izpostavljenost nevarnim substancam.
- **Ne razpršujte na sebe, na druge ljudi ali živali. Roke in druge dele telesa držite stran od razpršenega curka.** Če razpršeni curek prodre v kožo, nemudoma poiščite zdravniško pomoč. Razpršilo lahko prodre v kožo in v vaše telo celo skozi rokavico.
- **Predrtega mesta ne zdravite kot enostavne ureznine. Visokotlačni curek lahko v telo vbrizga strupene snovi in povzroči resne poškodbe.** V primeru vbrizganja v kožo, nemudoma poiščite zdravniško pomoč.
- **Pozorni bodite na eventualne nevarnosti razpršila. Upoštevajte oznake na posodi ali informacije proizvajalca razpršila, vključno z zahtevo za uporabo osebne zaščitne opreme.** Navodila proizvajalca je treba ubogati, da se zmanjša tveganje za poškodbe zaradi požara ter strupov, karcinogenih snovi itn.
- **Nikoli ne razpršujte brez montirane glave šobe.** Uporaba posebnega vstavka šobe z ustrezno glavo šobe zmanjšuje verjetnost, da visokotlačni curek predre kožo in vbrizga strupe v telo.

## ● Začetek uporabe

### ● Lastnosti HVLP

Ta naprava razpolaga s sistemom HVLP (High Volume Low Pressure). Skrbi za povečano nanašanje materiala (barve) pri majhni porabi.

**Pomembno:** Ne prekoračite delovnega tlaka 3 bar.

## ● Priključitev naprave

- Izdelek se sme uporabljati izključno z očiščenim komprimiranim zrakom brez olja in brez kondenzata in ne sme prekoračiti največjega dovoljenega delovnega tlaka 3 bar.
- Da bi zračni tlak lahko regulirali, mora biti vir komprimiranega zraka opremljen s (filtrskim) reducirnim ventilom.

Za obratovanje te naprave potrebujete fleksibilno cev za komprimiran zrak s hitrim priključkom in ustrezen vir komprimiranega zraka.

Upoštevajte navodila za uporabo in varnostna opozorila vira komprimiranega zraka in posebna navodila za pripravljane barv.

**Opozorilo:** Pazite na pravilen delovni tlak. Previsok delovni tlak povzroči premočno drobno razpršitev in s tem prehitro izhlapevanje tekočine. Površine so hrapave in imajo slabe lastnosti oprijema. Če pa je delovni tlak prenizek, barvni material ni dovolj razpršen. Posledica so valovite površine in tvorjenje kapljic.

- Gibko cev za komprimiran zrak s hitrim priključkom priključite na priključek za komprimiran zrak [6] naprave. Blokada spoja poteka avtomatsko.
- Na filtrskem reducirnem ventilu vira komprimiranega zraka nastavite delovni tlak na 3 bare.

## ● Pripravljanje posode z razpršilom

- Okolico posode z razpršilom obsežno in temeljito prekritje. Vse neprekrите ploskve ali površine se v nasprotnem primeru lahko umažejo.
- Zagotovite, da je posoda čista, suha in nemastna.
- Gladke površine obrusite in nato odstranite brusilni prah.

## ● Vklp / izklop naprave

### Navodila za delo:

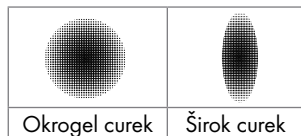
- Vstavite filter v pištolo (gl. sl. C).
- Med postopkom dela odprite odzračevanje [1].
- Pri redčenju pazite na to, da se razpršilni material in razredčilo ujemata. V primeru uporabe

napačnega razredčila nastajajo kepice in posledica tega je, da se pištola lahko zamaši.

- Posodo za tekočino [3] v smeri urnega kazalca privijte na pištolo.
  - V posodo za tekočino [3] natočite razpršilni material in privijte pokrov [2].
  - Pištolo za barvanje vedno držite na isti razdalji do objekta. Idealna razdalja za razprševanje znaša pribl. 16 cm.
  - S pomočjo preskusa določite konkretno ustrezno nastavitvev.
  - Naprave ne vklopite / izklopite nad površino za razprševanje, temveč postopek razprševanja začnite in končajte pribl. 10 cm zunaj površine za razprševanje.
- Za vklop pritisnite sprožilno ročico [8] in jo držite pritisnjeno.
  - Za konec obratovanja sprožilno ročico [8] zo-pet spustite.

## ● Nastavljanje barvnega curka

Naprava razpolaga z možnostjo nastavljanja okroglega in širokega curka.



### Nastavljanje okroglega curka:

- Okrogel curek uporabljajte na primer za majhne površine, kote in robove.
- Regulator [5] vrtite v smeri urnega kazalca **C**.

### Nastavljanje širokega curka:

- Širok curek uporabljajte vertikalno in horizontalno pri velikih površinah.
- Regulator [5] vrtite v nasprotni smeri urnega kazalca **C**. Glavo šobe [9] se da z vrtenjem brezstopenjsko nastavljati vertikalno in horizontalno v zelen položaj.

## ● Reguliranje količine barve

**Opozorilo:** Sprednji vijak za aretiranje je namenjen za omejevanje območja nastavljanja omejevalnega vijaka hoda [4].

### Zvišanje količine barve:

- Omejevalni vijak hoda vijak [4] zavrtite v nasprotni smeri urnega kazalca.

### Znižanje količine barve:

- Omejevalni vijak hoda vijak [4] zavrtite v smeri urnega kazalca.

## ● Reguliranje količine zraka

**Opozorilo:** Priporočljivo je, da se začne z maksimalno količino zraka. V ta namen regulator za reguliranje količine zraka [7] odprite do maksimalne nastavitve kot je opisano v nadaljevanju v poglavju »Zvišanje količine zraka«.

### Zvišanje količine zraka:

**Opozorilo:** Zvišanje količine zraka je praviloma priporočljivo pri preveč grobem razprševanju.

- Regulator za reguliranje količine zraka [7] zavrtite v nasprotni smeri urnega kazalca.

### Znižanje količine zraka:

**Opozorilo:** Znižanje količine zraka je praviloma priporočljivo pri premočni barvni meglici.

- Regulator za reguliranje količine zraka [7] zavrtite v smeri urnega kazalca.

## ● Vzdrževanje in čiščenje

**Napotek:** Temeljito čiščenje po vsaki uporabi je zelo pomembno za varnost in delovanje.

V nasprotnem primeru se lahko zamaši na primer igla in neoporečnosti funkcij naprave več ni možno zagotoviti.

- Pri čiščenju nosite zaščitne rokavice.
- Ne uporabljajte halogenskih razredčil, ki vsebujejo ogljikovodike kot so triklorometil, etilklorid itd., saj povzročijo kemijske reakcije z nekateri-

mi materiali brizgalne pištole za barve. Le-to lahko vodi do nevarnih reakcij.

**⚠ POZOR!** Brizgalne pištole za barve nikoli ne položite cele v razredčilo.

- Po vsaki uporabi skozi napravo razpršite razredčilo (**samo na prostem - nevarnost eksplozije!**) oz. vodo.
- Za čiščenje ohišja glave šobe [9] in znotraj ležečih razpršilnih luknjic uporabljajte priloženo ščetko za čiščenje ali krpo. Nikoli ne uporabljajte bencina, topil ali čistil, ki načenjajo umetno maso.
- Najprej izvijte udarni hodni vijak [4] z vrtenjem v nasprotno smer urnega kazalca ↻.
- Odstranite vzmet [11].
- S pomočjo klešč odstranite iglo [10] (gl. sl. A).
- Skrbno očistite iglo [10] s ščetko [12], glejte tudi sliko B.
- Iglo [10] zopet vstavite v brizgalno pištolo za barve.
- Vzmet [11] postavite na konec igle [10].
- Udarni hodni vijak [4] ponovno privijte z vrtenjem v smeri urnega kazalca ⚙.
- Posodo za tekočino [3] s pištole odstranite z vrtenjem v nasprotno smer urnega kazalca ↻.
- Filter [13] odstranite, kot je prikazano na sliki C in ga očistite s ščetko za čiščenje.
- Očistite tudi notranji navoj vijaka [14] posode za tekočino [3] s ščetko za čiščenje (gl. sl. D).
- Filter ponovno vstavite v pištolo (gl. sl. C) in nanjo privijte posodo za tekočino [3] z vrtenjem v smeri urnega kazalca ⚙.
- Za zaščito pred rjo, lahko po čiščenju razpršite olje za šivalne stroje.
- Občasno naoljite vse premične dele.
- Po čiščenju igle je potrebno navoj in tesnilo rahlo namastiti z maščobo.
- Ne uporabljajte maziv, ki vsebujejo silikon.
- Naprave na stisnjeni zrak shranjujte le v suhih prostorih.

## ● Servis

- **⚠ OPOZORILO!** Naprave na komprimiran zrak dajte v popravilo samo kvalificiranemu strokovnemu osebju in samo z uporabo originalnih nadomestnih

**delov.** S tem se zagotovi, da varnost naprav ostane ohranjena.

**Napotek:** Nadomestne dele, ki tukaj niso navedeni (npr. oglene krtačke, stikala) lahko naročite prek našega klicnega centra.

## ● Garancija

**Ta naprava ima 3 leta garancije od datuma nakupa. Naprava je bila skrbno izdelana in pred dobavo natančno preverjena. Prosimo, da blagajniški račun shranite kot dokazilo o nakupu. V primeru uveljavljanja garancije se po telefonu obrnite na svojo servisno službo. Samo tako je zagotovljeno brezplačno pošiljanje vašega izdelka.**

Garancija velja le za napake pri materialu ali izdelavi, ne pa tudi za poškodbe pri transportu, potrošne dele ali za poškodbe lomljivih delov, npr. stikal ali akumulatorjev. Izdelek je namenjen izključno za zasebno in ne za poslovno uporabo.

V primeru zlorabe ali nepravilnega ravnanja, pri uporabi sile ter pri posegih, ki jih ni izvedla naša pooblaščenca servisna poslovalnica, garancija preneha veljati. Vaših zakonskih pravic ta garancija ne omejuje.

Jamstvo ne podaljša garancijske dobe. To velja tudi za zamenjane in popravljene dele. Morebitne poškodbe in pomanjkljivosti, ki obstajajo že pri nakupu, je treba javiti takoj po razpakiranju, najpozneje pa dva dni po datumu nakupa. Popravila po preteku garancijske dobe je treba plačati.

## SI

**Servis Slovenija**

**Phone: 080080917**

**e-mail: [kompennass@lidl.si](mailto:kompennass@lidl.si)**

**IAN 96898**

## ● Odstranjanje



Embalaza sestoji iz naravi prijaznih materialov, ki jih lahko odvržete v lokalne zbiralnike za recikliranje odpadkov.

Vse o možnostih za odstranjanje odsluženih naprav boste izvedeli pri vaši občinski ali mestni upravi.

### **Okoljska neoporečnost in odstranjanje materiala:**

- Barva laki itd. so posebni odpadki, ki jih je treba ustrezno odstraniti.
- Upoštevajte krajevne predpise.
- Upoštevajte navodila izdelovalca.
- Okolju škodljive kemikalije ne smejo prodreti v zemljo, podtalnico ali zaiti v vodotoke.
- Brizgalna dela na robu vodotokov ali na sosednjih površinah (povodje) zaradi tega niso dovoljena.
- Pri nakupu barv, lakov itd. pazite na njihovo okoljsko neoporečnost.

## ● Prevod izvirne izjave o skladnosti ES / Proizvajalec CE

Mi, podjetje KOMPENASS HANDELS GMBH, za dokumente odgovorna oseba: gospod Semi Uguzlu, BURGSTRASSE 21, 44867 BOCHUM, GERMANY, izjavljamo, da je ta izdelek skladen z naslednjimi normativi, normativnimi dokumenti in direktivami ES:

### **Direktiva o strojih (2006 / 42 / EC)**

**Uporabljeni harmonizirani standardi**  
EN 1953:2013

### **Tip / Oznaka naprave:**

Pištolja za brizganje barve na stisnjen zrak  
PDFP 500 B2

**Date of manufacture (DOM): 05-2014**

**Serijska številka: IAN 96898**

Bochum, 31.05.2014

A handwritten signature in black ink, appearing to read 'Semi Uguzlu'.

Semi Uguzlu  
- Vodja kakovosti -

Pridržujemo si pravico do tehničnih sprememb.

KOMPERNASS HANDELS GMBH  
BURGSTRASSE 21  
44867 BOCHUM  
GERMANY

SI

☎ 080080917



## Garancijski list

1. S tem garancijskim listom jamčimo Kompernaß Handels GmbH, da bo izdelek v garancijskem roku ob normalni in pravilni uporabi brezhibno deloval in se zavezujemo, da bomo ob izpolnjenih spodaj navedenih pogojih odpravili morebitne pomanjkljivosti in okvare zaradi napak v materialu ali izdelavi oz. po svoji presoji izdelek zamenjali ali vrnili kupnino.
2. Garancija je veljavna na ozemlju Republike Slovenije.
3. Garancijski rok za proizvod je 3 leta od dneva izročitve balga. Dan izročitve blaga je enak dnevom prodaje, ki je razviden iz računa.
4. Kupec je dolžan okvaro javiti pooblaščenemu servisu oz. se informirati o nadaljnjih postopkih na zgoraj navedeni telefonski številki. Svetujemo vam, da pred tem natančno preberete navodila o sestavi in uporabi izdelka.
5. Kupec je dolžan pooblaščenemu servisu predložiti garancijski list in račun, kot potrdilo in dokazilo o nakupu.
6. V primeru, da proizvod popravlja nepooblaščen servis ali oseba, kupec ne more uveljavljati zahtevkov iz te garancije.
7. Vzroki za okvaro oz. nedelovanje izdelka morajo biti lastnosti stvari same, in ne vzroki, ki so zunaj proizvajalčeve oz. prodajalčeve sfere. Kupec ne more uveljavljati zahtevkov iz te garancije, če se ni držal priloženih navodil za sestavo in uporabo izdelka ali, če je izdelek kakorkoli spremenjen ali nepravilno vzdrževan.
8. Jamčimo servisiranje in rezervne dele za minimalno dobo, ki je zahtevana s strani zakonodaje.
9. Obrabni deli oz. potrošni material so izvzeti iz garancije.
10. Vsi potrebni podatki za uveljavljanje garancije se nahajajo na dveh ločenih dokumentih (garancijski list, račun).
11. Ta garancija proizvajalca ne izključuje pravic potrošnika, ki izhajajo iz odgovornosti prodajalca za napake na blagu.

Prodajalec:

Lidl d.o.o.k.d., Pod lipami 1, SI-1218 Komenda

## Úvod

Použití ke stanovenému účelu .....	Strana 32
Vybavení.....	Strana 32
Rozsah dodávky .....	Strana 32
Technické údaje .....	Strana 32

<b>Bezpečnostní pokyny</b> .....	Strana 32
Originální příslušenství / doplňková zařízení .....	Strana 33
Bezpečnostní pokyny pro jemné rozprašovací systémy.....	Strana 33

## Uvedení do provozu

Vlastnosti HVLP .....	Strana 34
Připojení zařízení.....	Strana 34
Příprava stříkané plochy .....	Strana 34
Zapínání / vypínání zařízení.....	Strana 34
Nastavení proudu barvy.....	Strana 35
Regulace množství barvy.....	Strana 35
Regulace množství vzduchu .....	Strana 35

<b>Údržba a čištění</b> .....	Strana 35
-------------------------------	-----------

<b>Servis</b> .....	Strana 36
---------------------	-----------

<b>Záruka</b> .....	Strana 36
---------------------	-----------

<b>Zlikvidování</b> .....	Strana 37
---------------------------	-----------

<b>Překlad Originálu EG prohlášení o konformitě / Výrobce</b> .....	Strana 37
---	-----------

## Pneumatická stříkácí pistole PDFP 500 B2

### ● Úvod

Blahopřejeme vám ke koupi nového výrobku. Rozhodli jste se pro kvalitní produkt. Návod k obsluze je součástí tohoto výrobku. Obsahuje důležité pokyny pro bezpečnost, použití a likvidaci. Před použitím výrobku se seznamte se všemi pokyny k obsluze a bezpečnostními pokyny. Používejte výrobek jen popsaným způsobem a na uvedených místech. Při předání výrobku třetí osobě předejte i všechny podklady.

### ● Použití ke stanovenému účelu

Zařízení poháněné stlačeným vzduchem je určeno jen k nanášení / rozprašování ředidla obsahujících avodou ředitelných nátěrových pigmentových hmot, lazur, základních nátěrů, průsvitných smaltů, krycích laků na motorová vozidla, mořidel, ochranných prostředků na dřevo, ochranných prostředků rostlin, olejů a dezinfekčních prostředků. Zařízení se nehodí ke zpracování disperzních a latexových barev, louchů, kyseliny obsahujících povlakových látek, zrnitých a pigment obsahujících rozprašovacích materiálů, jakož i ke stříkání a kapání inhibujících materiálů. Kterékoliv jiné použití nebo změna zařízení neplatí jako použití ke stanovenému účelu a skrývá značnou nebezpečí. Za škody vzniklé z použití k nestanovenému účelu nepřevzeme ručení. Zařízení je výhradně určeno k soukromému použití.

### ● Vybavení

- 1 Odvzdušnění
- 2 Poklop nádoby
- 3 Nádoba
- 4 Dorazový šroub zdvihu (regulace množství barvy)
- 5 Regulátor pro kulatý / plochý nástriik
- 6 Přípojka pro stlačený vzduch
- 7 Regulátor k regulaci množství vzduchu
- 8 Spoušřová páka
- 9 Hlava trysky
- 10 Jehla

- 11 Pružina
- 12 Kartáč
- 13 Filtr
- 14 Vnitřní závit šroubu (nádoba)


### ● Rozsah dodávky

- 1 pneumatická stříkácí pistole PDFP 500 B2
- 1 pohárek k tečení
- 1 víko k pohárku k tečení
- 1 čistící kartáč
- 1 filtr
- 1 návod k obsluze


### ● Technické údaje

Potřebná kvalita vzduchu:	vychřštěný bez kondenzátu a oleje
Spotřeba vzduchu:	max. 380 l / min
Pracovní tlak:	max. 3 bary
Objemové průtokové množství:	typicky 130 – 160 ml / min
Velikost trysky:	Ø 1,4 mm
Pohárek k tečení:	500 ml
Doporučená viskozita:	18 – 23 DIN / Sec.
Hladina akustického tlaku:	72,1 dB(A)
Naměřená hodnota vyšetřena podle EN 14462.	

### ● Bezpečnostní pokyny

 **VÝSTRAHA!** **Přečtěte si všechny bezpečnostní pokyny a instrukce.** Zanedbání při dodržování bezpečnostních pokynů a instrukcí mohou způsobit závažná poranění a / nebo poškození věcí.

**Všechny bezpečnostní pokyny a návody uschovejte pro budoucnost!**

 **VÝSTRAHA!** **NEBEZPEČÍ ZPĚTNÝCH NÁRAZOVÝCH SIL!** Při vysokých pracovních tlacích mohou vzniknout zpětné nárazové síly, které mohou za určitých okolností způsobit ohrožení trvalou zátěží.



**▲ VÝSTRAHA! NEBEZPEČÍ UDUŠENÍ!**  
**Při práci s dusíkem existuje nebezpečí udušení!** Pracujte jen v dostatečně větraných místnostech!

**▲ VÝSTRAHA! NEBEZPEČÍ PORANĚNÍ!**  
 Nikdy nepřekročte maximálně povolený pracovní tlak 3 barů. K nastavení pracovního tlaku použijte redukční ventil.

■ **NEBEZPEČÍ PORANĚNÍ! ZNEUŽITÉ POUŽITÍ!** Nikdy nenasměřujte zařízení na osoby a / nebo na zvířata.

■ **NEBEZPEČÍ EXPLOZE / POŽÁRU!** Nezapalte jiskry nebo otevřený oheň.

**▲ VÝSTRAHA! NEBEZPEČÍ PORANĚNÍ!**  
 Nikdy nepoužívejte kyslík nebo jiné hořlavé plyny jako zdroje energie.

**▲ VÝSTRAHA! NEBEZPEČÍ PORANĚNÍ!**  
**Nejprve uvolněte hadici od zdroje tlaku a teprve potom odstraňte zásobovací hadici od zařízení.** Tak se vyhnete nekontrolovanému víření, popř. zpětnému rázu zásobovací hadice.

■ **Použijte pro svou osobní ochranu vhodný prostředek k ochraně těla.** Noste masku k ochraně dýchacích cest s aktivním uhlím a ochranné brýle.

■ **Během používání chráňte zařízení před dětmi a jinými osobami.** Při rozptýlení můžete ztratit kontrolu nad zařízením.

■ Před opravárenskými a údržbářskými pracemi, jakož i před přerušením provozu a před přepravou odpojte zařízení od zdroje stlačeného vzduchu.

■ Při uvolnění spojky hadice držte hadici pevně v ruce, aby se zabránilo poraněním vyvolaným rychlým pohybem hadice zpět.

■ **Dbejte na poškození.** Před uvedením do provozu zkontrolujte zařízení vzhledem k poškozením. V případě, že zařízení vykazuje nedostatky, nesmí se v žádném případě uvést do provozu.

■ Nezalomte hadici zařízení. Jinak by se tato mohla poškodit.

■ Mějte laskavě na paměti bezpečnostní pokyny výrobce stříkacího materiálu.

■ **Buďte vždy pozorní, dbejte na to, co děláte a konejte práci s rozumem.**

**Zařízení nepoužívejte, jste-li unaveni nebo pod vlivem drog, alkoholu nebo léků.**

- Neodstraňte typové štítky – jsou bezpečnostně relevantní součástí zařízení.
- Nemáte-li se zacházením se zařízením zkušenosti, měli byste se nechat vyškolit vzhledem k zacházení bez nebezpečí.

## ● Originální příslušenství / doplňková zařízení

- **Použijte jen příslušenství a doplňkových zařízení, která jsou udána v návodu k obsluze.** Použití jiných než v návodu k obsluze doporučených dílů příslušenství může pro vás znamenat nebezpečí úrazu.

## ● Bezpečnostní pokyny pro jemné rozprašovací systémy

- **Udržujte pracovní oblast čistou, dobře osvětlenou a bez nádob s barvou nebo ředidly, bez hadrů a jiných hořlavých materiálů.** Pravděpodobně nebezpečí samovznícení. Mějte funkceschopná hasicí zařízení / hasicí přístroje neustále k dispozici.
- **Pečujte o dobré větrání v rozprašovací oblasti a o dostatečný přívod čerstvého vzduchu v celém prostoru.** Vypařující se hořlavá ředidla vytvářejí explozivní prostředí.
- **Nerozprašujte a nečistěte s materiály, jejichž zápalný bod je pod 21 °C. Použijte materiály na bázi vody, těžko létaavých uhlovodíků nebo podobných materiálů.** Snadno létavá vypařující se ředidla vytvářejí explozivní prostředí.
- **Nerozprašujte v oblastech zápalných zdrojů, jako jsou jiskry vytvořené statickou elektřinou, otevřené plameny, zápalné plameny, horké předměty, motory, cigarety a jiskry způsobené zastrčením a vytažením proudových kabelů nebo obsluhy spínačů.** Takové zdroje jisker mohou vést ke vznícení okolí.

- **Nerozprašujte materiály, u nichž není známo, představují-li nebezpečí.** Neznámé materiály mohou vytvořit ohrožující podmínky.
- **Noste navíc osobní ochranné vybavení, jako jsou ochranné rukavice a ochranná maska či maska pro ochranu dýchacích cest při rozprašování nebo zacházení s chemikáliemi.** Nošení ochranného zařízení pro příslušné podmínky snižuje vyzazení ohrožujících substancí.
- **Nestříkejte na sebe, na jinou osobu nebo zvířata. Chraňte své ruce a jiné části těla před rozprašovacím proudem.** Vnikne-li rozprašovací proud do pokožky, dovolte se lékařské pomoci. Rozprašovací materiál může sám proniknout rukavicí do pokožky a vsříknout do vašeho těla.
- **Vstříknutí neošetřujte jako jen jednoduché říznutí. Vysokotlaký proud může do těla vsříknout jedovaté látky a způsobit závažná poranění.** V případě vsříknutí do pokožky se neprodleně dovolte lékařské pomoci.
- **Dávejte pozor na kterékoli nebezpečí vycházející ze stříkacího materiálu. Dbejte na značky na nádobě nebo na informace výrobce rozprašovacího materiálu, včetně požadavků k použití osobního ochranného vybavení.** Instrukcemi výrobce je třeba se řídit, aby se snížilo riziko ohně, jakož i poranění vyvolaných jedy, karcinogeny atd.
- **Nikdy nerozprašujte bez namontované hlavy trysky.** Použití speciální vložky trysky s líčující hlavou trysky snižuje pravděpodobnost, že vysokotlaký paprsek pronikne pokožkou a vsříkne jedy do těla.

## ● Uvedení do provozu

### ● Vlastnosti HVLP

Teto zařízení disponuje systémem HVLP (High Volume Low Pressure). Pečuje o zvýšený nános (barvy) materiálu při nepatrné spotřebě.

**Důležité:** Nikdy nepřekročte maximálně povolený pracovní tlak 3 barů.

## ● Připojení zařízení

- Výrobek se smí výhradně provozovat s vyčištěným, stlačeným vzduchem bez kondenzátu a oleje a nesmí se na zařízení překročit maximální pracovní tlak 3 barů.
- Abyste mohli stlačený vzduch regulovat, musí se zdroj stlačeného vzduchu vybavit redukčním ventilem (filtru).

K provozu tohoto zařízení potřebujete pružnou pneumatickou hadici s rychlospojku a příslušný zdroj stlačeného vzduchu.

Dbejte na pokyny k obsluze a bezpečnostní pokyny zdroje stlačeného vzduchu a na zvláštní instrukce k přípravě barev.

**Upozornění:** Dbejte na správný pracovní tlak. Příliš vysoký pracovní tlak vede k příliš silnému jemnému rozdělení a způsobí příliš rychlé vypařování kapaliny. Povrchové plochy zhrubnou a vyvinou špatné přilnavé vlastnosti. Je-li naproti tomu pracovní tlak příliš nízký, tak se barevný materiál dostatečně nerozpraší. Následkem jsou vlnité povrchy a vytváření kapek.

- Připojte pneumatickou hadici s rychlospojku na přípojku stlačeného vzduchu [6] zařízení. Zablokování nastane automaticky.
- Nastavte na redukčním ventilu filtru zdroje stlačeného vzduchu pracovní tlak na 3 bary.

## ● Příprava stříkané plochy

- Okolí stříkané plochy rozsáhle a důkladně přikryjte. Všechny nepřikryté plochy nebo povrchy se mohou jinak znečistit.
- Zajistěte, aby byla povrchová plocha čistá, suchá a bez mastných skvrn.
- Hladké plochy zdrsňte a pak odstraňte brusný prach.

## ● Zapínání / vypínání zařízení

### Pracovní pokyny:

- Nasadíte filter do pistole (viz obr. C).
- Otevřete během pracovního postupu odvzdušnění [1].

- Při zředění dbejte na to, aby se stříkácí materiál a ředidlo k sobě hodily. Při použití chybného zředění mohou vzniknout hrudky a způsobit ucpání pistole.
  - Našroubujte pohárek k tečení [3] ve směru pohybu hodinových ručiček pevně na pistolí.
  - Rozprašovací materiál naplňte do pohárku k tečení [3] a víko [2] utáhněte.
  - Stříkácí pistolí na barvu držte vždy ve stejném odstupu k předmětu. Ideální odstup stříkání činí cca. 15 cm.
  - Vyšetřete vždy vhodná nastavení pokusem.
  - Zařízení nezapínejte / nevyvínejte přes stříkanou plochu, nýbrž začněte a ukončete stříkáci postup cca. 10 cm mimo stříkanou plochu.
- K zapnutí stisknete spouštěcí páku [8] a držte ji stisknutou.
  - K ukončení provozu spouštěcí páku [8] znovu uvolněte.

## ● Nastavení proudu barvy

Zařízení disponuje nastavením kruhového a širokého proudu.



### Nastavení kruhového proudu:

- Kruhový proud použijte např. u malých ploch, rohů a hran.
- Otočte regulátorem [5] ve směru pohybu hodinových ručiček

### Nastavení širokého proudu:

- Široký proud použijte vertikálně a horizontálně u větších ploch.
- Otočte regulátorem [5] proti směru pohybu hodinových ručiček . Hlavu trysky [9] lze plynule nastavit vertikálně a horizontálně otáčením do požadované polohy.

## ● Regulace množství barvy

**Upozornění:** Přední aretační šroub slouží k tomu, aby se omezil přestavovací rozsah zdvihového dorazového šroubu [4].

### Zvýšení množství barvy:

- Otočte zdvihovým dorazovým šroubem [4] proti směru pohybu hodinových ručiček.

### Snížení množství barvy:

- Otočte zdvihovým dorazovým šroubem [4] ve směru pohybu hodinových ručiček.

## ● Regulace množství vzduchu

**Upozornění:** Doporučuje se začít s maximálním množstvím vzduchu. K tomu otevřete regulaci množství vzduchu [7] tak, jak je dále popsáno pod „Zvýšení množství vzduchu“ až k nastavení maxima.

### Zvýšení množství vzduchu:

- Upozornění:** Zvýšení množství vzduchu se zpravidla doporučuje při příliš hrubém rozprašování.
- Otočte regulací množství vzduchu [7] proti směru pohybu hodinových ručiček.

### Snížení množství vzduchu:

- Upozornění:** Snížení množství vzduchu se zpravidla doporučuje při příliš silné barevné mlze.
- Otočte regulací množství vzduchu [7] ve směru pohybu hodinových ručiček.

## ● Údržba a čištění

**Upozornění:** Řádné vyčištění po každém použití je velmi důležité pro bezpečnost a provoz. V opačném případě se například ucpe jehla a již není zajištěna bezchybná funkce přístroje.

- U čistících prací noste vhodné ochranné rukavice.
- Nepoužívejte žádné halogenové rozpouštědlo obsahující uhlovdík jako je trichlormethyl, ethylchlorid atd., protože vyvolávají chemické reakce s některými materiály stříkácí pistole. To může vést k nebezpečným reakcím.

- ⚠ POZOR!** Celou vstříkovací pistoli nikdy neponořujte do ředidla.
- Po každém použití stříkejte z pistole ředidlo **(jen ve volném prostoru – nebezpečí exploze!)** popř. vodu.
  - Pro vyčištění krytu, hlavy trysky **9** a rozprašovacích otvorů v nich, používejte přiložený čistící kartáč nebo hadřík. Nikdy nepoužívejte benzin, rozpouštědla nebo čističe, která nepadají umělou hmotu.
  - Nejprve vyšroubujte dorazový šroub zdvíhu **4** otáčením proti směru hodinových ručiček **C**.
  - Odeberte pružinu **11**.
  - Odeberte jehlu **10** pomocí kleští (viz obr. A).
  - Vyčistěte jehlu **10** pečlivě kartáčkem **12**, viz také obrázek B.
  - Jehlu **10** opět nasadte do stříkací pistole.
  - Nasadte pružinu **11** na konec jehly **10**.
  - Opět přišroubujte dorazový šroub zdvíhu **4** otáčením ve směru hodinových ručiček **C**.
  - Odšroubujte nádobku **3** proti směru hodinových ručiček **C**.
  - Odstraňte filtr **13** jak je zobrazeno na obrázku C a vyčistěte jej pomocí čistícího kartáčku.
  - Vyčistěte i vnitřní závit šroubu **14** nádobou **3** pomocí čistícího kartáčku (viz obr. D).
  - Filtr opět nasadte do pistole (viz obr. C) a našroubujte na ni opět nádobu **3** ve směru hodinových ručiček **C**.
  - K ochraně proti zrezivění můžete po vyčištění prostříknout olej pro šicí stroje.
  - Čas od času namažte všechny pohyblivé částky.
  - Po vyčištění jehly musí být závit a těsnění lehce ošetřeny mazivem.
  - Nepoužívejte maziva obsahující silikon.
  - Skladujte pneumatické přístroje pouze v suchých prostorách.

## ● Servis

- **⚠ VÝSTRAHA!** Nechejte zařízení provozované stlačeným vzduchem opravovat jen kvalifikovaným odborným personálem a jen s originálními náhradními díly. Tím se zajistí, že se dodrží bezpečnost zařízení.

**Upozornění:** Neuvedené náhradní díly (jako např. uhlíkové kartáčky, vypínač) můžete objednat přes naše Call centrum.

## ● Záruka

**Na tento přístroj platí tříletá záruka od data zakoupení. Přístroj byl vyroben s nejvyšší pečlivostí a před odesláním prošel výstupní kontrolou. Ušchovejte si, prosím, pokladní lístek jako doklad o nákupu. V případě uplatňování záruky kontaktujte telefonicky Vaši servisní službu. Pouze tak může být zajištěno bezplatné zaslání Vašeho zboží.**

Záruka se vztahuje pouze na chyby materiálu nebo výrobní závady, ale ne na škody, vzniklé při přepravě, ne na součásti, podléhající rychlému opotřebení nebo na poškození křehkých dílů, jako jsou např. spínače nebo akumulátory. Výrobek je určen pouze pro privátní použití, ne průmyslové.

Při nesprávném a neodborném využívání, při použití násilí a při zásazích, které nebyly provedeny našimi autorizovanými servisními provozovny, záruční nároky zanikají. Vaše práva vyplývající ze zákona touto zárukou nejsou omezena.

Záruční doba se zárukou neprodouží. Toto platí také pro náhradní díly a opravené součásti. Případné škody a vady, existující už při koupi, se musí hlásit ihned po vybalení, nejpozději však do dvou dnů od data nákupu. Po uplynutí záruční doby se provedené opravy musí zaplatit.

## CZ

Servis Česko

Hotline: 800 143873

e-mail: [kompernass@lidl.cz](mailto:kompernass@lidl.cz)

**IAN 96898**

## ● Zlikvidování



Obal se skládá z ekologicky vhodných materiálů, které můžete zlikvidovat v místních recyklačních střediscích.

O možnostech ke zlikvidování vysloužilých přístrojů se dozvíte ve správě Vaší obce či města.

### **Ekologická vhodnost a zlikvidování materiálu:**

- Bary, laky... jsou zvláštním odpadem, které se musí příslušně zlikvidovat.
- Dbejte na místní předpisy.
- Dbejte na předpisy výrobce.
- Ekologicky škodlivé chemikálie nesmějí vniknout do země, podzemní vody nebo do vodstva.
- Stříkací práce na okraji vodstva nebo přilehlých ploch (povodí) nejsou proto přípustné.
- Dbejte při koupi barev, laků... na jejich ekologickou vhodnost.

## ● Překlad Originálu EG prohlášení o konformitě / Výrobce CE

My, KOMPERNASS HANDELS GMBH, pracovník zodpovědný za dokumentaci: pan Semi Uguzlu, BURGSTRASSE 21, 44867 BOCHUM, GERMANY, tímto prohlašujeme pro tento výrobek shodu s následujícími normami, normativními dokumenty a směrnicemi ES:

### **Směrnice o strojích (2006 / 42 / EC)**

**Použité sladěné normy**  
EN 1953:2013

### **Značka / Název stroje:**

Pneumatická stříkací pistole PDFP 500 B2

**Date of manufacture (DOM): 05–2014**  
**Sériové číslo: IAN 96898**

Bochum, 31.05.2014

A handwritten signature in black ink, appearing to read 'Semi Uguzlu'.

Semi Uguzlu  
- Manager jakosti -

Technické změny ve smyslu dalšího vývoje jsou vyhrazeny.



**Einleitung**

Bestimmungsgemäßer Gebrauch.....	Seite 40
Ausstattung.....	Seite 40
Lieferumfang .....	Seite 40
Technische Daten.....	Seite 40

**Sicherheitshinweise**..... Seite 40

Originalzubehör / -zusatzgeräte .....	Seite 41
Sicherheitshinweise für Feinsprühsysteme .....	Seite 41

**Inbetriebnahme**

HVLP-Eigenschaften.....	Seite 42
Gerät anschließen .....	Seite 42
Sprühfläche vorbereiten.....	Seite 43
Gerät ein- / ausschalten .....	Seite 43
Farbstrahl einstellen.....	Seite 43
Farbmenge regulieren .....	Seite 43
Luftmenge regulieren .....	Seite 43

**Wartung und Reinigung**..... Seite 44**Service**..... Seite 44**Garantie**..... Seite 44**Entsorgung**..... Seite 45**Original-EG-Konformitätserklärung / Hersteller**..... Seite 46

## Druckluft-Farbspritzpistole PDFP 500 B2

### ● Einleitung

Wir beglückwünschen Sie zum Kauf Ihres neuen Gerätes. Sie haben sich damit für ein hochwertiges Produkt entschieden. Die Bedienungsanleitung ist Teil dieses Produkts. Sie enthält wichtige Hinweise für Sicherheit, Gebrauch und Entsorgung. Machen Sie sich vor der Benutzung des Produkts mit allen Bedien- und Sicherheitshinweisen vertraut. Benutzen Sie das Produkt nur wie beschrieben und für die angegebenen Einsatzbereiche. Händigen Sie alle Unterlagen bei Weitergabe des Produkts an Dritte mit aus.

### ● Bestimmungsgemäßer Gebrauch

Das druckluftbetriebene Gerät ist nur bestimmt zum Auftragen / Zerstäuben von lösemittelhaltigen und wasserverdünnbaren Lackfarben, Lasuren, Grundierungen, Klarlacken, Kraftfahrzeug-Decklacken, Beizen, Holzschutzmitteln, Pflanzenschutzmitteln, Ölen und Desinfektionsmitteln. Das Gerät ist nicht geeignet zum Verarbeiten von Dispersions- und Latexfarben, Laugen, säurehaltigen Beschichtungstoffen, körnigem und körperhaltigem Sprühmaterial sowie spritz- und tropfgehemmten Materialien. Jede andere Verwendung oder Veränderung des Gerätes gilt als nicht bestimmungsgemäß und birgt erhebliche Unfallgefahren. Für aus bestimmungswidriger Verwendung entstandene Schäden übernehmen wir keine Haftung. Das Gerät ist nur für den privaten Einsatz bestimmt.

### ● Ausstattung

- 1 Entlüftung
- 2 Deckel Fließbecher
- 3 Fließbecher
- 4 Hubanschlagschraube (Farbmengenregulierung)
- 5 Regler für Rund- / Breitstrahl
- 6 Druckluftanschluss

- 7 Regler zur Luftmengenregulierung
- 8 Abzughebel
- 9 Düsenkopf
- 10 Nadel
- 11 Feder
- 12 Bürste
- 13 Filter
- 14 inneres Schraubgewinde (Fließbecher)

### ● Lieferumfang

- 1 Druckluft-Farbspritzpistole PDFP 500 B2
- 1 Fließbecher
- 1 Deckel für Fließbecher
- 1 Reinigungsbürste
- 1 Filter
- 1 Bedienungsanleitung

### ● Technische Daten

- Benötigte Luftqualität: gereinigt, kondensat- und ölfrei
- Luftverbrauch: max. 380 l / min
- Arbeitsdruck: max. 3 bar
- Volumendurchfluß: typisch 130 - 160 ml / min.
- Düsengröße: Ø 1,4 mm
- Fließbecher: 500 ml
- Empfohlene Viskosität: 18 - 23 DIN / Sec.
- Schalldruckpegel: 72,1 dB(A)
- Messwert ermittelt entsprechend EN 14462.

### ● Sicherheitshinweise



**! WARNUNG!** Lesen Sie alle Sicherheitshinweise und Anweisungen.

Versäumnisse bei der Einhaltung der Sicherheitshinweise und Anweisungen können schwere Verletzungen und/oder Sachschäden verursachen.

**Bewahren Sie alle Sicherheitshinweise und Anweisungen für die Zukunft auf!**



**⚠️ WARNUNG! RÜCKSTOSSKRÄFTE!**

Bei hohen Arbeitsdrücken können Rückstosskräfte auftreten, die unter Umständen zu Gefährdungen durch Dauerbelastung führen können.

**⚠️ WARNUNG! ERSTICKUNGSGEFAHR!**

**Beim Arbeiten mit Stickstoff besteht Erstickungsgefahr!** Arbeiten Sie daher nur in gut belüfteten Räumen!

**⚠️ WARNUNG! VERLETZUNGSGEFAHR!**

Überschreiten Sie niemals den maximal zulässigen Arbeitsdruck von 3 bar. Verwenden Sie zur Einstellung des Arbeitsdruckes einen Druckminderer.

- **VERLETZUNGSGEFAHR! MISSBRÄUCHLICHE BENUTZUNG!** Richten Sie das Gerät nicht auf Menschen und / oder Tiere.

- **EXPLOSIONS- / BRANDGEFAHR! RAUCHEN VERBOTEN!** Entzünden Sie keine Funken oder offenes Feuer.

**⚠️ WARNUNG! VERLETZUNGSGEFAHR!**

Verwenden Sie niemals Sauerstoff oder andere brennbare Gase als Energiequelle.

**⚠️ WARNUNG! VERLETZUNGSGEFAHR!**

**Lösen Sie zuerst den Schlauch von der Druckluftquelle und entfernen Sie erst danach den Versorgungsschlauch von dem Gerät.** So vermeiden Sie ein unkontrolliertes Herumwirbeln bzw. Rückstoß des Versorgungsschlauches.

- **Verwenden Sie für Ihren persönlichen Schutz geeignete Körperschutzmittel.** Tragen Sie einen Atemschutz mit Aktivkohlefilter und eine Schutzbrille.
- **Halten Sie Kinder und andere Personen während der Benutzung des Gerätes fern.** Bei Ablenkung können Sie die Kontrolle über das Gerät verlieren.
- Entfernen Sie vor Reparatur- und Instandhaltungsarbeiten sowie Betriebsunterbrechungen und vor einem Transport das Gerät von der Druckluftquelle.
- Halten Sie beim Lösen der Schlauchkupplung den Schlauch fest in der Hand, um Verletzungen, hervorgerufen durch einen zurückschnellenden Schlauch, zu vermeiden.
- **Achten Sie auf Beschädigung.** Kontrollieren Sie das Gerät vor Inbetriebnahme auf etwaige Beschädigungen. Sollte das Gerät

Mängel aufweisen, darf es auf keinen Fall in Betrieb genommen werden.

- Knicken Sie nicht den Schlauch des Gerätes. Andernfalls kann dieser beschädigt werden.
- Bitte beachten Sie die Sicherheitshinweise der Hersteller des Spritzgutes.
- **Seien Sie stets aufmerksam, achten Sie darauf, was Sie tun und gehen Sie mit Vernunft an die Arbeit. Benutzen Sie kein Gerät, wenn Sie müde sind oder unter dem Einfluss von Drogen, Alkohol oder Medikamenten stehen.**
- Entfernen Sie keine Typenschilder - sie sind sicherheitsrelevante Bestandteile des Gerätes.
- Wenn Sie im Umgang mit dem Gerät unerfahren sind, sollten Sie sich über den gefahrlosen Umgang schulen lassen.

● **Originalzubehör / -zusatzgeräte**

- **Benutzen Sie nur Zubehör und Zusatzgeräte, die in der Bedienungsanleitung angegeben sind.** Der Gebrauch anderer als in der Bedienungsanleitung empfohlenen Zubehörteile kann eine Verletzungsgefahr für Sie bedeuten.

● **Sicherheitshinweise für Feinsprühsysteme**

- **Halten Sie Ihren Arbeitsbereich sauber, gut beleuchtet und frei von Farb- oder Lösemittelbehältern, Lappen und sonstigen brennbaren Materialien.** Mögliche Gefahr der Selbstentzündung. Halten Sie funktionsfähige Feuerlöscher / Löschgeräte zu jeder Zeit verfügbar.
- **Sorgen Sie für gute Belüftung im Sprühbereich und für ausreichend Frischluft im gesamten Raum.** Verdunstende brennbare Lösemittel schaffen eine explosive Umgebung.
- **Sprühen und reinigen Sie nicht mit Materialien, deren Flammpunkt unterhalb von 21 °C liegt. Verwenden Sie Materialien auf der Basis von Wasser, schwerflüchtigen Kohlenwasserstoffen**

- oder ähnlichen Materialien.** Leichtflüchtige verdunstende Lösemittel schaffen eine explosive Umgebung.
- **Sprühen Sie nicht im Bereich von Zündquellen wie statischen Elektrizitätsfunken, offenen Flammen, Zündflammen, heißen Gegenständen, Motoren, Zigaretten und Funken vom Ein- und Ausstecken von Stromkabeln oder der Bedienung von Schaltern.** Derartige Funkenquellen können zu einer Entzündung der Umgebung führen.
  - **Versprühen Sie keine Materialien bei denen nicht bekannt ist, ob sie eine Gefahr darstellen.** Unbekannte Materialien können gefährdende Bedingungen schaffen.
  - **Tragen Sie zusätzliche persönliche Schutzausrüstung wie entsprechende Schutzhandschuhe und Schutz- oder Atemschutzmaske beim Sprühen oder der Handhabung von Chemikalien.** Das Tragen von Schutzausrüstung für entsprechende Bedingungen verringert die Aussetzung gegenüber gefährdenden Substanzen.
  - **Sprühen Sie nicht auf sich selbst, auf andere Personen oder Tiere. Halten Sie Ihre Hände und sonstige Körperteile fern vom Sprühstrahl.** Falls der Sprühstrahl die Haut durchdringt, nehmen Sie umgehend ärztliche Hilfe in Anspruch. Das Sprühgut kann selbst durch einen Handschuh hindurch die Haut durchdringen und in Ihren Körper eingespritzt werden.
  - **Behandeln Sie eine Einspritzung nicht als einfachen Schnitt. Ein Hochdruckstrahl kann Giftstoffe in den Körper einspritzen und zu ernsthaften Verletzungen führen.** Im Falle einer Hauteinspritzung nehmen Sie umgehend ärztliche Hilfe in Anspruch.
  - **Geben Sie acht auf etwaige Gefahren des Sprühguts. Beachten Sie die Markierungen auf dem Behälter oder die Herstellerinformationen des Sprühguts, einschließlich der Aufforderung zur Verwendung persönlicher Schutzausrüstung.** Den Herstelleranweisungen ist Folge zu leisten, um das Risiko von Feuer sowie durch

Gifte, Karzinogene, etc. hervorgerufenen Verletzungen zu verringern.

- **Sprühen Sie niemals ohne montierten Düsenkopf.** Die Verwendung eines speziellen Düseneinsatzes mit dem passenden Düsenkopf vermindert die Wahrscheinlichkeit, dass ein Hochdruckstrahl die Haut durchdringt und Gifte in den Körper einspritzt.

## ● Inbetriebnahme

### ● HVLP-Eigenschaften

Dieses Gerät verfügt ein HVLP-System (High Volume Low Pressure). Es sorgt für einen erhöhten (Farb-) Materialauftrag bei geringerem Verbrauch.

**Wichtig:** Überschreiten Sie nicht den Arbeitsdruck von maximal 3 bar.

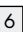
### ● Gerät anschließen

- Das Produkt darf ausschließlich mit gereinigter, kondensat- und ölfreier Druckluft betrieben werden und darf den maximalen Arbeitsdruck von 3 bar am Gerät nicht überschreiten.
- Damit Sie den Luftdruck regulieren können, muss die Druckluftquelle mit einem (Filter)-Druckminderer ausgestattet sein.

Sie benötigen zum Betrieb dieses Geräts einen flexiblen Druckluftschlauch mit Schnellkupplung und eine entsprechende Druckluftquelle.

Beachten Sie die Bedien- und Sicherheitshinweise der Druckluftquelle und besondere Anweisungen zur Farbenaufbereitung.

**Hinweis:** Achten Sie auf den richtigen Arbeitsdruck. Zu hoher Arbeitsdruck führt zu starker Feinverteilung und bringt eine zu schnelle Flüssigkeitsverdunstung mit sich. Die Oberflächen werden rau und entwickeln schlechte Hafteigenschaften. Ist der Arbeitsdruck hingegen zu niedrig, wird das Farbmaterial nicht ausreichend zerstäubt. Wellige Oberflächen und Tropfenbildung sind die Folge.

- Schließen Sie den Druckluftschlauch mit Schnellkupplung am Druckluftanschluss  des Gerätes an. Die Verriegelung erfolgt automatisch.

- Stellen Sie am Filterdruckminderer der Druckluftquelle den Arbeitsdruck auf 3 bar ein.

## ● Sprühfläche vorbereiten

- Decken Sie die Umgebung der Sprühfläche weiträumig und gründlich ab. Alle nicht abgedeckten Flächen oder Oberflächen können sonst verunreinigt werden.
- Stellen Sie sicher, dass die Sprühfläche sauber, trocken und fettfrei ist.
- Rauhen Sie glatte Flächen auf und entfernen Sie anschließend den Schleifstaub.

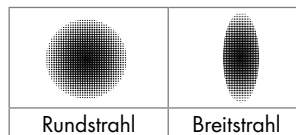
## ● Gerät ein-/ ausschalten

### Arbeitshinweise:

- Setzen Sie den Filter in die Pistole ein (s. Abb. C).
  - Öffnen Sie während des Arbeitsvorgangs die Entlüftung **1**.
  - Achten Sie beim Verdünnen darauf, dass Sprühmaterial und Verdünnung zusammenpassen. Bei Verwendung einer falschen Verdünnung können Klumpen entstehen und in Folge dessen kann die Pistole verstopfen.
  - Schrauben Sie den Fließbecher **3** im Uhrzeigersinn auf die Pistole fest.
  - Füllen Sie das Sprühmaterial in den Fließbecher **3** und schrauben Sie den Deckel **2** fest.
  - Halten Sie die Farbspritzpistole immer im gleichen Abstand zum Objekt. Der ideale Spritzabstand beträgt ca. 15 cm.
  - Ermitteln Sie die jeweils geeigneten Einstellungen durch einen Versuch.
  - Schalten Sie das Gerät nicht über der Spritzfläche ein/aus, sondern beginnen und beenden Sie den Spritzvorgang ca. 10 cm außerhalb der Spritzfläche.
- Drücken Sie zum Einschalten den Abzughebel **8** und halten Sie ihn gedrückt.
  - Lassen Sie zum Beenden des Betriebs den Abzughebel **8** wieder los.

## ● Farbstrahl einstellen

Das Gerät verfügt über die Einstellungen Rundstrahl und Breitstrahl.



### Rundstrahl einstellen:

- Verwenden Sie den Rundstrahl beispielsweise bei kleinen Flächen, Ecken und Kanten.
- Drehen Sie den Regler **5** im Uhrzeigersinn **C**.

### Breitstrahl einstellen:

- Verwenden Sie den Breitstrahl vertikal und horizontal bei größeren Flächen.
- Drehen Sie den Regler **5** gegen den Uhrzeigersinn **C**.  
Der Düsenkopf **9** lässt sich vertikal und horizontal durch Drehen in die gewünschte Position stufenlos einstellen.

## ● Farbmenge regulieren

**Hinweis:** Die vordere Arretierschraube dient dazu, den Verstellbereich der Hubanschlagschraube **4** zu begrenzen.

### Farbmenge erhöhen:

- Drehen Sie die Hubanschlagschraube **4** gegen den Uhrzeigersinn.

### Farbmenge verringern:

- Drehen Sie die Hubanschlagschraube **4** im Uhrzeigersinn.

## ● Luftmenge regulieren

**Hinweis:** Es wird empfohlen, mit der maximalen Luftmenge zu beginnen. Öffnen Sie hierzu die Luftmengenregulierung **7** wie nachfolgend unter „Luftmenge erhöhen“ beschrieben bis zur maximalen Einstellung.

## Luftmenge erhöhen:

**Hinweis:** Die Erhöhung der Luftmenge ist in der Regel ratsam bei zu grober Zerstäubung.

- Drehen Sie die Luftmengenregulierung **7** gegen den Uhrzeigersinn.

## Luftmenge verringern:

**Hinweis:** Die Verringerung der Luftmenge ist in der Regel ratsam bei zu starkem Farbnebel.

- Drehen Sie die Luftmengenregulierung **7** im Uhrzeigersinn.

## ● Wartung und Reinigung

**Hinweis:** Die gründliche Reinigung nach jeder Anwendung ist sehr wichtig für Sicherheit und Betrieb. Andernfalls verstopft beispielsweise die Nadel und die einwandfreien Funktionen des Gerätes sind nicht mehr gewährleistet.

- Tragen Sie bei Reinigungsarbeiten geeignete Schutzhandschuhe.
- Verwenden Sie keine kohlenwasserstoffhaltigen Halogen-Lösungsmittel wie Trichlormethyl, Ethylchlorid usw., da sie chemische Reaktionen mit einigen Materialien der Farbspritzpistole eingehen. Dies kann zu gefährlichen Reaktionen führen.

**⚠ ACHTUNG!** Legen Sie die Farbspritzpistole niemals vollständig in Lösungsmittel.

- Spritzen Sie nach jedem Gebrauch Verdünnern (**nur im Freien-Explosionsgefahr!**) bzw. Wasser durch das Gerät.
- Um das Gehäuse, den Düsenkopf **9** und die darin befindlichen Sprühlöcher zu reinigen, benutzen Sie die beiliegende Reinigungsbürste oder ein Tuch. Verwenden Sie niemals Benzin, Lösungsmittel oder Reiniger, die Kunststoff angreifen.
- Schrauben Sie zunächst die Hubanschlagschraube **4** durch Drehen gegen den Uhrzeigersinn ↻ heraus.
- Entnehmen Sie die Feder **11**.
- Entnehmen Sie die Nadel **10** mit Hilfe einer Zange (s. Abb. A).
- Reinigen Sie die Nadel **10** sorgfältig mit der Bürste **12**, sehen Sie auch Abbildung B.
- Setzen Sie die Nadel **10** wieder in die Farbspritzpistole ein.

- Setzen Sie die Feder **11** auf das Ende der Nadel **10**.
- Schrauben Sie die Hubanschlagschraube **4** durch Drehen im Uhrzeigersinn ⤴ wieder fest.
- Schrauben Sie den Fließbecher **3** gegen den Uhrzeigersinn ↻ von der Pistole ab.
- Entfernen Sie den Filter **13** wie in Abbildung C dargestellt und reinigen Sie diesen mit der Reinigungsbürste.
- Reinigen Sie auch das innere Schraubgewinde **14** des Fließbeckers **3** mit der Reinigungsbürste (s. Abb. D).
- Stecken Sie den Filter wieder in die Pistole (s. Abb. C) und schrauben Sie den Fließbecher **3** im Uhrzeigersinn ⤴ auf dieser fest.
- Zum Rostschutz können Sie nach der Reinigung Nähmaschinenöl durchspritzen.
- Ölen Sie alle beweglichen Teile von Zeit zu Zeit.
- Nach Reinigung der Nadel müssen Gewinde und Dichtung leicht mit Fett behandelt werden.
- Verwenden Sie keine silikonhaltigen Schmiermittel.
- Lagern Sie Druckluftgeräte nur in trockenen Räumen.

## ● Service

- **⚠ WARNUNG!** Lassen Sie druckluftbetriebene Geräte nur von qualifiziertem Fachpersonal und nur mit Originalersatzteilen reparieren. Damit wird sichergestellt, dass die Sicherheit der Geräte erhalten bleibt.

**Hinweis:** Nicht aufgeführte Ersatzteile (wie z.B. Kohlebürsten, Schalter) können Sie über unsere Callcenter bestellen.

## ● Garantie

**Sie erhalten auf dieses Gerät 3 Jahre Garantie ab Kaufdatum. Das Gerät wurde sorgfältig produziert und vor Anlieferung gewissenhaft geprüft. Bitte bewahren Sie den Kassenbon als Nachweis für den Kauf auf. Bitte setzen Sie sich im Garantiefall mit Ihrer Servicestelle telefonisch in Verbindung.**

## Nur so kann eine kostenlose Einsendung Ihrer Ware gewährleistet werden.

Die Garantieleistung gilt nur für Material- oder Fabrikationsfehler, nicht aber für Transportschäden, Verschleißteile oder für Beschädigungen an zerbrechlichen Teilen, z. B. Schalter oder Akkus. Das Produkt ist lediglich für den privaten und nicht für den gewerblichen Gebrauch bestimmt.

Bei missbräuchlicher und unsachgemäßer Behandlung, Gewaltanwendung und bei Eingriffen, die nicht von unserer autorisierten Service-Niederlassung vorgenommen wurden, erlischt die Garantie. Ihre gesetzlichen Rechte werden durch diese Garantie nicht eingeschränkt.

Die Garantiezeit wird durch die Gewährleistung nicht verlängert. Dies gilt auch für ersetzte und reparierte Teile. Eventuell schon beim Kauf vorhandene Schäden und Mängel müssen sofort nach dem Auspacken gemeldet werden, spätestens aber zwei Tage nach Kaufdatum. Nach Ablauf der Garantiezeit anfallende Reparaturen sind kostenpflichtig.

### DE

#### Service Deutschland

Tel.: 0800 5435 111

E-Mail: [kompernass@lidl.de](mailto:kompernass@lidl.de)

**IAN 96898**

### AT

#### Service Österreich

Tel.: 0820 201 222

(0,15 EUR/Min.)

E-Mail: [kompernass@lidl.at](mailto:kompernass@lidl.at)

**IAN 96898**

### CH

#### Service Schweiz

Tel.: 0842 665566

(0,08 CHF/Min., Mobilfunk  
max. 0,40 CHF/Min.)

E-Mail: [kompernass@lidl.ch](mailto:kompernass@lidl.ch)

**IAN 96898**

## ● Entsorgung



Die Verpackung besteht aus umweltfreundlichen Materialien, die Sie über die örtlichen Recyclingstellen entsorgen können.

Möglichkeiten zur Entsorgung des ausgedienten Gerätes erfahren Sie bei Ihrer Gemeinde- oder Stadtverwaltung.

### Umweltverträglichkeit und Materialentsorgung:

- Farben, Lacke... sind Sondermüll, den Sie entsprechend entsorgen müssen.
- Beachten Sie die örtlichen Vorschriften.
- Beachten Sie die Hinweise des Herstellers.
- Umweltschädliche Chemikalien dürfen nicht ins Erdreich, Grundwasser oder in die Gewässer gelangen.
- Spritzarbeiten am Rande von Gewässern oder deren benachbarten Flächen (Einzugsgebiet) sind daher unzulässig.
- Achten Sie beim Kauf von Farben, Lacken... auf deren Umweltverträglichkeit.

● **Original-EG-Konformitätserklärung / Hersteller** 

Wir, KOMPERNASS HANDELS GMBH, Dokumentenverantwortlicher: Herr Semi Uguzlu, BURGSTRASSE 21, 44867 BOCHUM, DEUTSCHLAND, erklären hiermit, dass dieses Produkt mit den folgenden Normen, normativen Dokumenten und EG-Richtlinien übereinstimmt:

**Maschinenrichtlinie  
(2006 / 42 / EC)**

**angewandte harmonisierte Normen**

EN 1953:2013

**Typ / Gerätebezeichnung:**

Druckluft-Farbspritzpistole PDFP 500 B2

**Herstellungsjahr: 05-2014**

**Seriennummer: IAN 96898**

Bochum, 31.05.2014



Semi Uguzlu

- Qualitätsmanager -

Technische Änderungen im Sinne der Weiterentwicklung sind vorbehalten.

**KOMPERNASS HANDELS GMBH**

BURGSTRASSE 21  
44867 BOCHUM  
GERMANY

Last Information Update · Információk állása · Stanje  
informacij · Stav informací · Stand der Informationen:  
05 / 2014 · Ident.-No.: PDFP500B2052014-HU / SI / CZ

IAN 96898

