



[www.lidl-service.com](http://www.lidl-service.com)



## ANGLE GRINDER PWS 230 B2

(GB) (CY)

### ANGLE GRINDER

Translation of the original instructions

(GR) (CY)

### ΓΩΝΙΑΚΟΣ ΤΡΟΧΟΣ

Μετάφραση των αυθεντικών οδηγιών λειτουργίας

(RO)

### POLIZOR UNGHIULAR

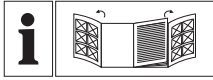
Traducerea instrucțiunilor de utilizare original

(DE) (AT) (CH)

### WINKELSCHLEIFER

Originalbetriebsanleitung

IAN 273273



GB CY

Before reading, unfold both pages containing illustrations and familiarise yourself with all functions of the device.

---

RO

Înainte de a citi instrucțiunile, priviți ambele pagini cu imagini și familiarizați-vă cu toate funcțiile aparatului.

---

GR CY

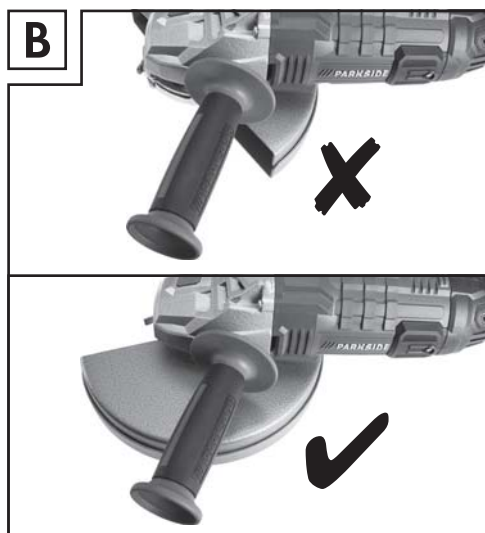
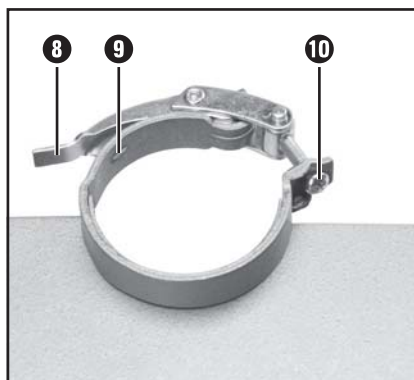
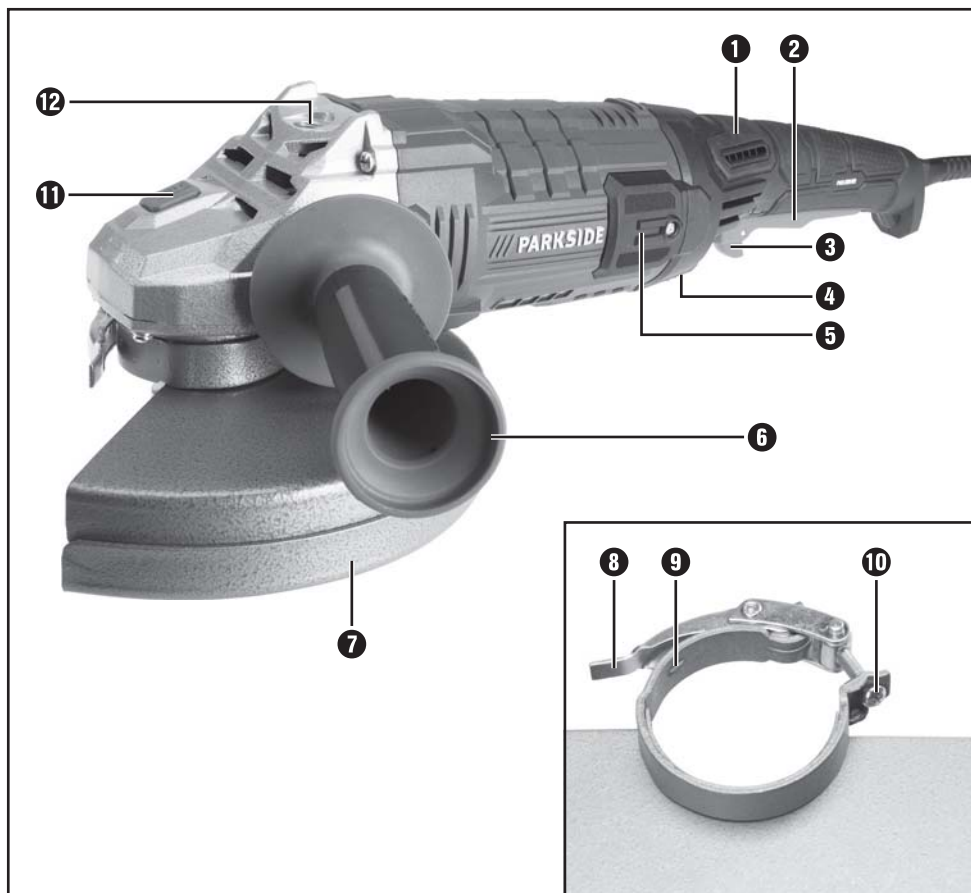
Πριν ξεκινήσετε την ανάγνωση, ανοίξτε τη σελίδα με τις εικόνες και εξοικειωθείτε με όλες τις λειτουργίες της συσκευής.

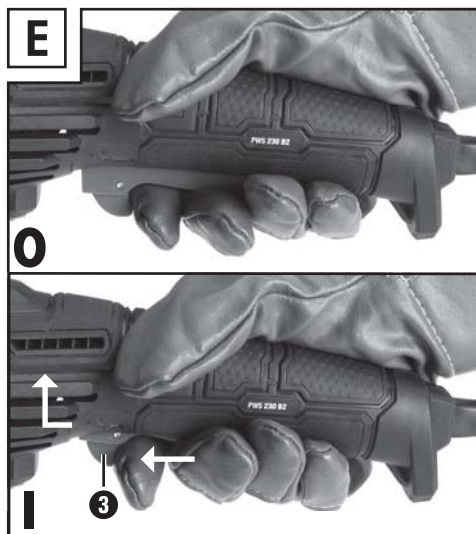
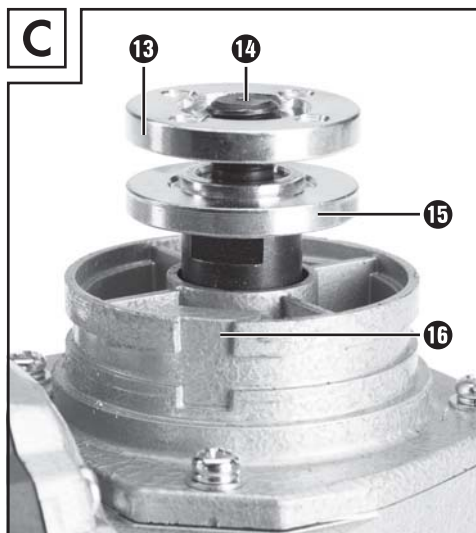
---

DE AT CH

Klappen Sie vor dem Lesen die beiden Seiten mit den Abbildungen aus und machen Sie sich anschließend mit allen Funktionen des Gerätes vertraut.

GB/CY	Translation of the original instructions	Page	1
RO	Traducerea instrucțiunilor de utilizare original	Pagina	15
GR/CY	Μετάφραση των αυθεντικών οδηγιών λειτουργίας	Σελίδα	29
DE/AT/CH	Originalbetriebsanleitung	Seite	43





# Table of Contents

<b>Introduction</b> .....	<b>2</b>
Intended use .....	2
Features .....	2
Package contents .....	2
Technical data .....	2
<b>General Power Tool Safety Warnings</b> .....	<b>3</b>
1. Work area safety .....	3
2. Electrical safety .....	3
3. Personal safety .....	3
4. Power tool use and care .....	4
5. Service .....	4
Safety advice for all uses .....	4
Safety advice relating to kickback .....	6
Special safety advice relating to grinding and disc-cutting .....	6
Further special safety advice for disc-cutting .....	7
Permissible Accessories .....	8
Storing and handling recommended accessories .....	8
Working procedures .....	9
<b>Operation</b> .....	<b>10</b>
Attaching the disc guard cover using the quick-release fastener .....	10
Attaching the auxiliary handle .....	10
Attaching and replacing roughing / grinding / cutting discs .....	10
Switching on and off .....	11
Rotating the hand grip .....	11
<b>Maintenance and cleaning</b> .....	<b>11</b>
<b>Disposal</b> .....	<b>11</b>
<b>Warranty</b> .....	<b>12</b>
<b>Service</b> .....	<b>12</b>
<b>Importer</b> .....	<b>12</b>
<b>Translation of the original Conformity Declaration</b> .....	<b>13</b>

## ANGLE GRINDER PWS 230 B2

### Introduction



We congratulate you on the purchase of your new device. You have chosen a high quality product. The instructions for use are part of the product. They contain important information concerning safety, use and disposal. Before using the product, please familiarise yourself with all of the safety information and instructions for use. Only use the unit as described and for the specified applications. If you pass the product on to anyone else, please ensure that you also pass on all the documentation with it.

### Intended use

The appliance is intended for cutting, rough cutting metal work materials without the use of water. Any other usage of or modification to the appliance is deemed to be improper usage and carries the risk of serious personal injury. The manufacturer accepts no responsibility for damage(s) resulting from improper usage.

The appliance is not meant for commercial use.

### Features

- 1 Hand grip (rotatable)
- 2 ON/OFF switch
- 3 Safety lock-out
- 4 Unlocking button
- 5 Carbon brushes cover
- 6 Auxiliary handle
- 7 Disc guard cover
- 8 Clamping lever
- 9 Coded projection
- 10 Adjuster screw
- 11 Spindle lock button
- 12 Threaded hole (3 x) for auxiliary handle
- 13 Clamping nut (see Fig. C)
- 14 Mounting spindle (see Fig. C)
- 15 Mounting flange (see Fig. C)
- 16 Coded groove (see Fig. C)
- 17 Two-pin spanner

### Package contents

- 1 angle grinder PWS 230 B2
- 1 auxiliary handle
- 1 disc guard cover
- 1 Two-pin spanner
- 1 operating instructions

### Technical data

Rated voltage:	230–240 V~ 50 Hz (alternating current)
Nominal power:	2000 W
Rated speed:	n 6500 min <sup>-1</sup>
Grinding disc:	Ø 230 mm
Spindle thread:	M14
Protection class:	II/□

### Noise and vibration data:

Noise measurement value determined in accordance with EN 60745 The A-rated noise level of the power tool is typically:

### Noise emission value:

Sound pressure level:	$L_{PA} =$	91.4	dB (A)
Uncertainty:	$K =$	3	dB (A)
Sound power level:	$L_{WA} =$	102.4	dB (A)
Uncertainty:	$K =$	3	dB (A)



**Wear ear protection!**

### Vibration total value:

Angle grinding:	$a_{h, AG} =$	7.4	m/s <sup>2</sup>
Uncertainty:	$K =$	1,5	m/s <sup>2</sup>

**⚠ WARNING!**

- ▶ The vibration level specified in these instructions has been measured in accordance with the standardised measuring procedure specified in EN 60745 and can be used to make equipment comparisons. The specified vibration emission value can also be used to make an initial exposure estimate. The vibration level varies in accordance with the use of the electric tool and may be higher than the value specified in these instructions in some cases. The vibration load could be underestimated if the electric tool is regularly used in such a way.

**NOTE**

- ▶ Try to keep the vibration loads as low as possible. Measures to reduce the vibration load are, e.g. wearing gloves and limiting the working time. Wherein all states of operation must be included (e.g. times when the power tool is switched off and times where the power tool is switched on but running without load).



**General Power Tool Safety Warnings**

**⚠ WARNING!**

- ▶ Read all safety warnings and all instructions. Failure to follow the warnings and instructions may result in electric shock, fire and/or serious injury.

**Save all warnings and instructions for future reference.**

The term “power tool” in the warnings refers to your mains-operated (corded) power tool or battery-operated (cordless) power tool.

**1. Work area safety**

- a) **Keep work area clean and well lit.** Cluttered or dark areas invite accidents.
- b) **Do not operate power tools in explosive atmospheres, such as in the presence of flammable liquids, gases or dust.** Power tools create sparks which may ignite the dust or fumes.

- c) **Keep children and bystanders away while operating a power tool.** Distractions can cause you to lose control.

**2. Electrical safety**

- a) **Power tool plugs must match the outlet. Never modify the plug in any way. Do not use any adapter plugs with earthed (grounded) power tools.** Unmodified plugs and matching outlets will reduce risk of electric shock.
- b) **Avoid body contact with earthed or grounded surfaces, such as pipes, radiators, ranges and refrigerators.** There is an increased risk of electric shock if your body is earthed or grounded.
- c) **Do not expose power tools to rain or wet conditions.** Water entering a power tool will increase the risk of electric shock.
- d) **Do not abuse the cord. Never use the cord for carrying, pulling or unplugging the power tool. Keep cord away from heat, oil, sharp edges or moving parts.** Damaged or entangled cords increase the risk of electric shock.
- e) **When operating a power tool outdoors, use an extension cord suitable for outdoor use.** Use of a cord suitable for outdoor use reduces the risk of electric shock.
- f) **If operating a power tool in a damp location is unavoidable, use a residual current device (RCD) protected supply.** Use of an RCD reduces the risk of electric shock.

**3. Personal safety**

- a) **Stay alert, watch what you are doing and use common sense when operating a power tool. Do not use a power tool while you are tired or under the influence of drugs, alcohol or medication.** A moment of inattention while operating power tools may result in serious personal injury.
- b) **Use personal protective equipment.** Always wear eye protection. Protective equipment such as dust mask, non-skid safety shoes, hard hat, or hearing protection used for appropriate conditions will reduce personal injuries.
- c) **Prevent unintentional starting. Ensure the switch is in the off-position before connecting**

to power source and/or battery pack, picking up or carrying the tool. Carrying power tools with your finger on the switch or energising power tools that have the switch on invites accidents.

- d) **Remove any adjusting key or wrench before turning the power tool on.** A wrench or a key left attached to a rotating part of the power tool may result in personal injury.
- e) **Do not overreach. Keep proper footing and balance at all times.** This enables better control of the power tool in unexpected situations.
- f) **Dress properly. Do not wear loose clothing or jewellery. Keep your hair, clothing and gloves away from moving parts.** Loose clothes, jewellery or long hair can be caught in moving parts.
- g) **If devices are provided for the connection of dust extraction and collection facilities, ensure these are connected and properly used.** Use of dust collection can reduce dust-related hazards.

#### **4. Power tool use and care**

- a) **Do not force the power tool. Use the correct power tool for your application.** The correct power tool will do the job better and safer at the rate for which it was designed.
- b) **Do not use the power tool if the switch does not turn it on and off.** Any power tool that cannot be controlled with the switch is dangerous and must be repaired.
- c) **Disconnect the plug from the power source and/or the battery pack from the power tool before making any adjustments, changing accessories, or storing power tools.** Such preventive safety measures reduce the risk of starting the power tool accidentally.
- d) **Store idle power tools out of the reach of children and do not allow persons unfamiliar with the power tool or these instructions to operate the power tool.** Power tools are dangerous in the hands of untrained users.
- e) **Maintain power tools. Check for misalignment or binding of moving parts, breakage of parts and any other condition that may affect the power tool's operation. If damaged, have the**

**power tool repaired before use.** Many accidents are caused by poorly maintained power tools.

- f) **Keep cutting tools sharp and clean.** Properly maintained cutting tools with sharp cutting edges are less likely to bind and are easier to control.
- g) **Use the power tool, accessories and accessory tools etc. in accordance with these instructions, taking into account the working conditions and the work to be performed.** Use of the power tool for operations different from those intended could result in a hazardous situation.

#### **5. Service**

- a) **Have your power tool serviced by a qualified repair person using only identical replacement parts.** This will ensure that the safety of the power tool is maintained.
- b) **Always arrange for the exchange of the plug or the power cord to be carried out by the manufacturer of the appliance or by its approved customer services.** This will ensure that the safety of the power tool is maintained.

#### **Safety advice for all uses**

##### **General safety advice for grinding polishing and disc-cutting:**

- a) **This electrical power tool is intended for use as a grinding and disc-cutting machine. Observe all the safety advice, instructions, information in figures and all other information you received with this device.**  
If you do not observe the following advice it could lead to electric shock, fire and /or serious injury.
- b) **Operations such as sanding, wire brushing or polishing are not recommended to be performed with this power tool Operations for which the power tool was not designed may create a hazard and cause personal injury.**
- c) **Do not use any accessory not specifically intended by the manufacturer for this electrical power tool. Although an accessory may fit on your electrical power tool, this does not on its own guarantee that it can be safely used.**
- d) **The maximum permitted speed of an attachment must be at least as high as the maximum speed indicated for the electrical power tool. An accessory rotating faster than its permitted**



- speed could disintegrate or fly off.
- e) **The external diameter and the thickness of the attachment must be compatible with the dimensions of your electrical power tool.** Attachments that are not dimensionally compatible cannot be adequately guarded or controlled.
  - f) **Threaded mounting of accessories must match the grinder spindle thread.** For accessories mounted by flanges, the arbour hole of the accessory must fit the locating diameter of the flange. Attachments that do not exactly fit on the spindle turn unevenly, vibrate severely and could lead to loss of control.
  - g) **Do not use damaged attachments.** Before every use check attachments such as grinding discs for loose fragments and cracks, grinding wheels for cracks, deterioration or excessive wear and wire brushes for loose or broken wires. If the electrical power tool or attachment is dropped, inspect for damage or change the attachment for an undamaged one. When you have inspected and inserted the attachment, position yourself and bystanders away from the plane of the rotating attachment and run the device at maximum speed for one minute. Damaged attachments will usually break apart during this test.
  - h) **Wear personal protective equipment.** Use a full face visor, safety goggles or safety glasses, depending on the application. Wear a dust mask, hearing protectors, safety gloves or special apron capable of stopping particles of the grinding medium or workpiece, as appropriate for the task. Eyes must be protected from the flying debris which can arise from some operations. Dust or breathing masks must be capable of filtering out the dust generated by the application. Prolonged exposure to loud noise can lead to hearing loss.
  - i) **Keep bystanders at a safe distance from your work area.** Anyone entering the work area must wear personal protective equipment. Fragments of the workpiece or of a broken attachment could fly off and cause injury beyond the immediate working area.
  - j) **Hold the device by the insulated handle surfaces when you are undertaking work where there is the danger of the attachment striking hidden electricity cables or the device's mains lead.** Contact with a live wire could cause metal parts of the device to become live and lead to electric shock.
  - k) **Keep the power cord away from rotating attachments.** If you lose control of the device the mains lead may become severed or trapped and your hand or arm may be pulled into the rotating attachment.
  - l) **Never lay the electrical power tool down until after the attachment has come to a complete standstill.** The rotating attachment may snag when it comes into contact with the surface and cause you to lose control of the device.
  - m) **Do not have the electrical power tool running while you are carrying it.** Your clothing could become trapped by unintentional contact with the rotating attachment and the tool could be pulled into your body.
  - n) **Clean the ventilation slots on your electrical power tool regularly.** The motor's fan draws dust into the housing. A build-up of metal dust could give rise to an electrical hazard.
  - o) **Never use the electrical power tool near inflammable materials.** Sparks could ignite these materials.
  - p) **Do not use attachments that require the use of coolants.** The use of water or other liquid coolants could result in electric shock.

### **Safety advice relating to kickback**

Kickback is the sudden reaction to a pinched or snagged rotating attachment, such as a grinding disc, grinding pad, wire brush etc. Pinching or snagging results in the rotating attachment coming to an abrupt stop. This causes the electrical power tool (if not controlled) to move in the opposite direction to the direction of rotation of the attachment at the point of constraint.

If, for example, a grinding disc is pinched or snags in a workpiece, this can cause the edge of the grinding disc to penetrate the workpiece, become trapped there and either free itself or kickback.

The grinding disc moves towards or away from the operator, depending on the direction of movement of the disc at the point of constraint. The grinding disc could also break.

Kickback occurs as a result of incorrect use or misuse of the electrical power tool. It can be prevented by taking the appropriate precautions as described below.

- a) **Maintain a firm grip on the electrical power tool and position your body and arms to allow you to resist kickback forces. Always use the auxiliary handle, if provided, to exercise the greatest possible control over kickback forces or reaction torques as the device builds up to full speed.** By taking suitable precautions the operator can control kickback and reaction forces.
- b) **Do not place your hands near a rotating attachment.** If kickback occurs the attachment could move over your hand.
- c) **Avoid positioning your body in the area into which the electrical power tool would move in the event of a kickback.** A kickback moves the electrical power tool in the opposite direction to the direction of movement of the grinding disc at the point of constraint.
- d) **Work particularly carefully in the area of corners, sharp edges etc. to avoid the attachment bouncing or snagging on the workpiece.** Corners, sharp edges or bouncing have a tendency to snag the rotating attachment. This causes loss of control or kickback.

- e) **Do not use saw-chain woodcarving discs or toothed discs.** Such attachments create frequent kickback and loss of control of the electrical power tool.

### **Special safety advice relating to grinding and disc-cutting**

- a) **Always use the guard designed for the type of abrasive consumable you are using. Always use abrasive consumables approved for use with your electrical power tool.** Abrasive consumables not approved for use with your electrical power tool cannot be adequately guarded and are unsafe.
- b) **The grinding surface of centre depressed wheels must be mounted below the plane of the guard lip.** An improperly mounted wheel that projects through the plane of the guard lip cannot be adequately protected.
- c) **To ensure the highest level of operational safety, the disc guard cover must be attached to the electrical power tool and set in such a way that the smallest possible area of the abrasive consumable is exposed to the operator.** The disc guard cover is there to protect the operator from pieces breaking off and accidental contact with the abrasive consumable.
- d) **Abrasive consumables must be used only for their recommended purposes, For example: never grind with the side face of a cutting disc.** Cutting discs are intended for removing material using the edge of the disc. Sideways forces on these abrasive consumables can cause them to break.
- e) **Always use an undamaged mounting flange of the correct size and shape for your selected grinding disc.** Suitable flanges support the grinding disc and reduce the chance of it breaking. Flanges for cutting discs are different from the flanges for other abrasive discs.
- f) **Never use worn down abrasive consumables intended for larger electrical power tools.** Abrasive consumables intended for larger electrical power tools are not designed for the faster rotational speeds of these smaller electrical power tools and could break.

## Further special safety advice for disc-cutting

- a) **Avoid snagging the cutting disc and do not use too much contact pressure. Do not attempt to make excessively deep cuts.** Overloading the cutting disc increases the load and the tendency of the disc to twist or snag in the cut, making kickback or disc breakage more likely.
- b) **Avoid the area in front of or behind the rotating cutting disc.** If the cutting disc is moving away from you at the point of constraint in the workpiece, then, in the event of a kickback, the electrical power tool and the rotating disc may be thrown towards you.
- c) **If the cutting disc jams or you stop work for a while, switch the device off and hold it until the disc comes to a complete stop. Never attempt to pull the still rotating cutting disc out of the cut as this could cause kickback.** Determine and rectify the reason for the jamming.
- d) **Do not switch on the device if the cutting disc is in the workpiece. Allow the cutting disc to reach full speed before carefully continuing with the cut.** Otherwise the disc could snag, jump out of the workpiece or cause a kickback.
- e) **Support boards or workpieces whilst cutting to reduce the risk of kickback caused by a jammed cutting disc.** Large workpieces may bend under their own weight. The workpiece must be supported to both sides of the cutting disc and particularly near the cutting disc and at the workpiece edge.
- f) **Be particularly careful when pocket cutting in existing walls or other areas where you cannot see what you are cutting into.** The cutting disc plunged into the surface could cut through gas or water pipes, electricity cables or other objects and cause kickback.

**Permissible Accessories**

	Max. diameter Ø (mm)	Max. thickness (mm)	Spindle thread (mm)	Rated speed (min <sup>-1</sup> )	Rated speed (m/s)	Tool	Protection guard
Cutting disc	230	3	M14	6500	80	Two-pin spanner	Yes
Grinding disc	230	6	M14	6500	80	Two-pin spanner	Yes

**Storing and handling recommended accessories**

- Handle and transport grinding/buffing tools with care.
- Store grinding/buffing tools so that they are not exposed to mechanical stress or damaging environmental factors (e.g. moisture).

## Working procedures

### NOTE

- ▶ Grinding tools should only be used for the recommended applications. Otherwise, they can break, be damaged or cause injuries.

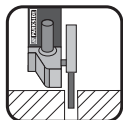
### Rough grinding:



Never use cutting discs for rough grinding!

- Move the angle grinder with moderate pressure back and forth over the workpiece.
- For soft material, move the rough grinding disc at a flat angle over the workpiece; for hard material at a slightly steeper angle.

### Abrasive cutting:



Never use rough grinding discs for cutting!

- Use only tested fibre-reinforced cutting or grinding discs that are approved for a circumferential speed of no less than 80 m/s.

### CAUTION!

The grinder continues running after being turned off. Do not try to brake it by applying lateral counterpressure.

- Immobilise the workpiece securely. Use clamps/vices to hold the workpiece firmly in place. This is much safer than simply holding it in your hand.
- Always switch off the appliance before putting it away and wait for the appliance to come to a complete standstill.
- Release the ON/OFF switch immediately in the event of a power failure or when the plug is pulled out. Move it into the OFF position. This prevents an uncontrolled restart.
- Use the appliance only for dry cutting or grinding.
- The auxiliary handle **6** must be mounted on the appliance for all work.

- Materials containing asbestos may NOT be processed. Asbestos is a known carcinogen.



**Tip!** This symbol indicates proper behaviour!

### DANGER! GUIDE THE APPLIANCE THROUGH THE WORKPIECE IN REVERSE ROTATION.

- ▶ In the opposite direction there is a risk of kickback. The appliance can be pushed out of the cut.
- Always switch the appliance on before applying it to the workpiece. After completing the task, lift the appliance from the work piece and then switch it off.
- Always hold the appliance firmly with two hands while working. Ensure that your stance is secure and stable.
- For an optimum grinding effect, move the appliance evenly at an angle of 15° to 30° (between grinding disc and workpiece) backwards and forwards.
- When working on angled surfaces, do not exert great force on the workpiece. If the rotational speed drops significantly, you must reduce the pressure exerted to allow safe and effective working. If the appliance suddenly brakes completely or jams, it must be switched off immediately.
- Cutting: Work with a moderate feed and do not tilt the cutting disc.
- Roughing and cutting discs become very hot – let them cool down completely before touching them.
- Never use the appliance for purposes other than the ones for which it was designed.
- Always make sure that the appliance is turned off before plugging it into the wall socket.
- In case of danger, remove the plug from the socket immediately. Ensure that the appliance and the power socket are easily and quickly accessible in the event of an emergency.
- Always remove the plug from the power socket during work breaks, when adjusting the appliance and when it is no longer in use.

The appliance must always be kept clean, dry and free from oil or grease.

- **Remain alert at all times! Always pay attention to what you are doing and act with common sense.** Never use the appliance when you are distracted or don't feel well.



**Wear protective glasses!**



**Wear a dust mask!**

## Operation

### Attaching the disc guard cover using the quick-release fastener

#### **⚠ WARNING – RISK OF INJURY!**

- ▶ Pull the mains plug out of the mains socket before you carry out any task on the device.

#### **⚠ RISK OF INJURY!**

- ▶ Always use the angle grinder with the blade guard **7**. The blade guard should be installed securely. Set it so that the highest possible degree of safety is achieved, e.g. the smallest possible part of the grinding disc is exposed to the operator. The blade guard **7** is designed to protect the operator from fragments and accidental contact with the grinding tool.

#### **⚠ RISK OF INJURY!**

- ▶ Ensure that the guard **7** is attached so that its edge is beyond the angle of the auxiliary handle **6** (see Fig. B). Otherwise you could injure yourself against the grinding or cutting disc.

- ◆ Open the clamping lever **8**.
- ◆ Insert the disc cover guide **7** with the coded projection **9** in the coded groove **15**.
- ◆ Turn the disc guard cover **7** into the desired position (working position). The closed side of the disc guard cover **7** must always be facing the operator.
- ◆ Close the clamping lever **8** to firmly clamp the disc guard cover **7** in place. If necessary

the clamping force of the connection can be adjusted by tightening or loosening the adjuster screw **10**. Ensure that the disc guard cover **7** sits firmly on the spindle collar.

### Attaching the auxiliary handle

#### **⚠ CAUTION!**

- ▶ For safety reasons this device must always be used with the auxiliary handle **6** in place. Otherwise you could become injured. Screw the auxiliary handle **6** on the left, right or on the top of the head of the device.

### Attaching and replacing roughing / grinding / cutting discs



Always wear protective gloves when changing cutting/rough grinding discs. Roughing / grinding and cutting discs become hot during use. Do not touch them until after they have cooled down.

Take note of the dimensions of the roughing / grinding or cutting discs. The circular hole must fit on to the mounting flange without play. Do not use a reducer piece or adapter.

- **Check the condition of the roughing / grinding or cutting discs. They must be free of damage, moisture or cracks.** Otherwise they could break up during use and cause injury.

#### **NOTE**

- ▶ Always ensure the discs are free of dirt before use.
- Use only abrasive consumables or tools with an allowable speed at least as high as the no-load speed of the device.
- **DANGER OF INJURY!** Press the spindle lock button **11** only after the mounting spindle **14** has reached a standstill.
- ◆ Press the spindle lock button **11** to block the drive.
- ◆ Release the clamping nut **13** using the Two-pin spanner **17** (see Fig. D).
- ◆ Place the roughing / grinding or cutting disc on to the mounting flange **15** with its labelled side facing towards the device.

- ◆ Then replace the clamping nut **13**, with its raised side facing upwards, on to the mounting spindle **14**.
- ◆ Press the spindle lock button **11** to block the drive.
- ◆ Tighten the clamping nut **13** again with the Two-pin spanner **17**.

**NOTE**

- ▶ If the disc does not turn smoothly or vibrates after the change, the disc must immediately be replaced.
- ◆ For safety's sake, run at high idle for 60 seconds after every disc change. Be aware of unusual noises and sparks.
- ◆ Check whether all the fastening elements are correctly fitted.
- ◆ Make sure that the arrow showing the direction of rotation (if any) on the cutting or rough grinding discs (including diamond cutting discs) and the direction of rotation of the appliance (arrow showing the direction of rotation on the head) match.

**Switching on and off**

Check the accessory tool before use. It must be properly installed, may not be damaged or damp, should have no cracks and turn freely. Carry out a 60 second test run. Do not use non-circular or vibrating tools. Be aware of unusual noises and sparks. Check whether all the fastening elements are correctly installed.

**Switching on:**

- ◆ Press the safety lock-out **3** (see Fig. E).
- ◆ Then press the ON / OFF switch **2**.

**Switching off:**

- ◆ Release the ON / OFF switch **2**.

**Rotating the hand grip**

- The hand grip **1** can be rotated by 90° to the right or left (see Fig. A).
- This allows the ON / OFF switch **2** to be brought into the most comfortable position for any working conditions.

- ◆ Press the unlocking button **4** and rotate the hand grip **1** to the right or left.
- ◆ Make sure the hand grip **1** engages.

**Maintenance and cleaning**



**WARNING! RISK OF INJURY!** Switch the appliance off and remove the power plug before starting any work.

- Do not use any sharp objects to clean the appliance. Never permit fluids to penetrate inside the appliance. The appliance could be damaged. The carbon brushes should only be replaced by the service centre or an authorized specialist workshop. Apart from this, the appliance is maintenance-free.
- Clean the appliance regularly, preferably immediately after completion of the work.
- Clean the housing with a dry cloth - do NOT use petrol, solvents or cleaners that can attack the plastic.
- A vacuum cleaner is required for thorough cleaning of the appliance.
- Ventilation openings must never be obstructed.
- Remove any adhering swarf with a brush.

**NOTE**

- ▶ Unlisted replacement parts (such as carbon brushes, switch) can be ordered via our service hotline.

**Disposal**



The packaging consists of environmentally friendly material. It can be disposed of in the local recycling containers.



**Do not dispose of power tools in your normal domestic waste!**

European Directive 2012/19/EU requires that worn-out power tools be collected separately and fed into an environmentally compatible recycling process.

Your local community or municipal authorities can provide information on how to dispose of the worn-out appliance.

## Warranty

You are provided a 3-year warranty on this appliance, valid from the date of purchase. This appliance has been manufactured with care and inspected meticulously prior to delivery. Please retain your receipt as proof of purchase. In the event of a warranty claim, please contact your customer service department by telephone. This is the only way to guarantee free return of your goods.

The warranty only covers claims for material and manufacturing defects, not for damage sustained during transport, components subject to wear and tear or damage to fragile components such as switches or batteries. This appliance is intended solely for private use and not for commercial purposes. The warranty shall be deemed void in the case of misuse or improper handling, use of force and interventions which have not been carried out by one of our authorised service centres. Your statutory rights are not restricted by this warranty. The warranty period is not extended due to repairs effected under the warranty. This also applies to replaced and repaired components. Any damage and defects present at the time of purchase must be reported immediately after unpacking, but no later than two days after the date of purchase. Repairs effected after expiry of the warranty period shall be subject to charge.

## Service

### GB Service Great Britain

Tel.: 0871 5000 720 (£ 0.10/Min.)

E-Mail: [kompernass@lidl.co.uk](mailto:kompernass@lidl.co.uk)

IAN 273273

### CY Service Cyprus

Tel.: 8009 4409

E-Mail: [kompernass@lidl.com.cy](mailto:kompernass@lidl.com.cy)

IAN 273273

### Hotline availability:

Monday to Friday 08:00 - 20:00 (CET)

## Importer

KOMPERNASS HANDELS GMBH

BURGSTRASSE 21

44867 BOCHUM

GERMANY

[www.kompernass.com](http://www.kompernass.com)



## Translation of the original Conformity Declaration

We, KOMPERNASS HANDELS GMBH, Custodian of Documents: Mr. Semi Uguzlu, BURGSTR. 21, 44867 BOCHUM, GERMANY, hereby declare that this product complies with the following standards, normative documents and the EC directives:

**Machinery Directive  
(2006 / 42 / EC)**

**EMC (Electromagnetic Compatibility)  
(2004 / 108 / EC)**

**RoHS Directive  
(2011 / 65 / EU)**

### Applied harmonised standards:

EN 60745-1:2009/A11:2010

EN 60745-2-3:2011/A12:2014

EN 55014-1:2006/A2:2011

EN 55014-2:1997/A2:2008

EN 61000-3-2:2014

EN 61000-3-3:2013

### Type designation of machine:

Angle grinder PWS 230 B2

**Year of manufacture: 10-2015**

**Serial number: IAN 273273**

Bochum, 21/08/2015



Semi Uguzlu

- Quality Manager -

Subject to technical changes in the course of further developments.



# Cuprins

<b>Introducere</b> .....	<b>16</b>
Utilizarea conform destinației .....	16
Dotare .....	16
Furnitura .....	16
Date tehnice .....	16
<b>Indicații generale de siguranță pentru sculele electrice</b> .....	<b>17</b>
1. Siguranța zonei de lucru .....	17
2. Siguranța electrică .....	17
3. Siguranța persoanelor .....	18
4. Utilizarea și manevrarea sculei electrice .....	18
5. Service .....	19
Indicații de siguranță pentru toate aplicațiile .....	19
Indicații de siguranță privind reculul .....	20
Indicații speciale de siguranță pentru șlefuire și debitare cu disc abraziv .....	21
Alte indicații de siguranță speciale pentru debitarea cu disc abraziv .....	21
Accesorii admisibile .....	22
Depozitarea și manipularea accesoriilor recomandate .....	22
Instrucțiuni de lucru .....	23
<b>Deservirea</b> .....	<b>24</b>
Montarea capacului de protecție cu dispozitiv de închidere rapidă .....	24
Montarea mânerului suplimentar .....	25
Montarea / schimbarea discului de degroșare / debitare .....	25
Pornirea și oprirea .....	25
Rotirea mânerului aparatului .....	26
<b>Întreținerea și curățarea</b> .....	<b>26</b>
<b>Eliminarea</b> .....	<b>26</b>
<b>Garanția</b> .....	<b>26</b>
<b>Service</b> .....	<b>27</b>
<b>Importator</b> .....	<b>27</b>
<b>Traducerea declarației de conformitate originale</b> .....	<b>27</b>

## **POLIZOR UNGHIULAR PWS 230 B2**

### **Introducere**



Vă felicităm pentru cumpărarea noului dvs. aparat. Ați decis să alegeți un produs de calitate superioară. Instrucțiunile de utilizare fac parte integrantă din acest produs. Acestea cuprind informații importante pentru siguranță, utilizare și eliminare. Încă de la utilizarea produsului familiarizați-vă cu toate indicațiile privind utilizarea și siguranța. Utilizați acest produs numai în modul descris și numai în scopurile menționate. În cazul transmiterii produsului unei alte persoane, predați-i toate documentele aferente acestuia.

### **Utilizarea conform destinației**

Aparatul este conceput pentru lucrări de debitare și degroșare a materialelor metalice, fără utilizarea apei. Orice altă utilizare sau modificare a aparatului este considerată a fi neconformă și atrage pericole considerabile de accidentare. Nu ne asumăm răspunderea pentru prejudiciile rezultate în urma unei utilizări care contravine destinației. Este interzisă utilizarea aparatului în scopuri comerciale.

### **Dotare**

- 1 Mânerul aparatului (rotativ)
- 2 Comutator PORNIT/OPRIȚ
- 3 Întreprupător de siguranță
- 4 Tastă de deblocare
- 5 Capac perii de carbon
- 6 Mâner suplimentar
- 7 Capac de protecție
- 8 Pârghie de tensionare
- 9 Știft de codificare
- 10 Șurub de reglare
- 11 Tastă de blocare ax
- 12 Filet (3 x) pentru mânerul suplimentar
- 13 Piuliță de strângere (a se vedea fig. C)
- 14 Ax de fixare (a se vedea fig. C)
- 15 Flanșă de fixare (a se vedea fig. C)
- 16 Fantă de codificare (a se vedea fig. C)
- 17 Cheie cu pini

### **Furnitura**

- 1 polizor unghiular PWS 230 B2
- 1 mâner suplimentar
- 1 capac de protecție
- 1 cheie cu pini
- 1 exemplar instrucțiuni de utilizare

### **Date tehnice**

Tensiune nominală:	230 - 240 V ~ 50 Hz (curent alternativ)
Consum nominal:	2000 W
Turație nominală:	n 6500 min <sup>-1</sup>
Dimensiunea discului:	Ø 230 mm
Dimensiunea filetului:	M14
Clasa de protecție:	II/□

### **Informații privind zgomotele și vibrațiile:**

Valoarea măsurată pentru zgomot determinată conform EN 60745. Nivelul de zgomot evaluat A al sculei electrice este în mod tipic de:

### **Valoarea de emisie a zgomotului:**

Nivelul presiunii acustice:	$L_{PA} =$	91,4	dB (A)
Incertitudine:	$K =$	3	dB (A)
Nivelul puterii acustice:	$L_{WA} =$	102,4	dB (A)
Incertitudine:	$K =$	3	dB (A)



**Purtați echipament de protecție a auzului!**

### **Valoarea totală a vibrațiilor:**

Șlefuirea suprafețelor:	$a_{h,AG} =$	7,4	m/s <sup>2</sup>
Incertitudine:	$K =$	1,5	m/s <sup>2</sup>

**⚠️ AVERTIZARE!**

- ▶ Nivelul vibrațiilor indicat în aceste instrucțiuni a fost măsurat conform procedurii de măsurare standardizat EN 60745 și poate fi utilizat pentru compararea aparatelor. Valoarea indicată a vibrațiilor emise poate fi utilizată și pentru o evaluare introductivă a expunerii. Nivelul vibrațiilor se va modifica în funcție de utilizarea sculei electrice, iar în anumite cazuri se poate afla peste valoarea indicată în aceste instrucțiuni. Expunerea la vibrații ar putea fi subapreciată dacă scula electrică este utilizată regulat într-un asemenea mod.

**INDICAȚIE**

- ▶ Încercați să mențineți sarcina prin vibrații la un nivel cât mai redus. Măsurile ilustrative pentru reducerea expunerii la vibrații sunt purtarea mănușilor în timpul utilizării sculei și limitarea timpului de lucru. În acest scop, trebuie luate în considerare toate componentele ciclului de funcționare (de exemplu perioadele în care scula electrică a fost oprită și perioadele în care, deși a fost pornită, a funcționat fără sarcină).



**Indicații generale de siguranță pentru sculele electrice**

**⚠️ AVERTIZARE!**

- ▶ Citiți toate indicațiile de siguranță și instrucțiunile. Nerespectarea indicațiilor de siguranță și a instrucțiunilor poate cauza electrocutare, incendiu și/sau răni grave.

**Păstrați toate indicațiile de siguranță și instrucțiunile pentru consultarea ulterioară.**

Noțiunea de „sculă electrică” utilizată în indicațiile de siguranță se referă la sculele electrice alimentate de la rețea (cu cablu de alimentare) și la sculele electrice cu acumulatori (fără cablu de alimentare).

**1. Siguranța zonei de lucru**

- Păstrați zona de lucru curată și bine iluminată. Dezordinea și zonele de lucru iluminate necorespunzător pot conduce la accidentări.
- Nu lucrați cu scula electrică în zone cu potențial exploziv în care se găsesc lichide, gaze sau pulberi inflamabile. Sculele electrice produc scânteii care pot aprinde pulberea sau vaporii.
- În timpul utilizării sculei electrice țineți la distanță copiii și alte persoane. Dacă sunteți distras, puteți pierde controlul asupra aparatului.

**2. Siguranța electrică**

- Fișa de racord a sculei electrice trebuie să se potrivească în priză. Ștecărul nu trebuie modificat în niciun fel. Nu folosiți niciun fel de adaptoare împreună cu sculele electrice legate la pământ. Ștecărele nemodificate și prizele adecvate reduc riscul de electrocutare.
- Evitați contactul corporal cu suprafețele împământate cum sunt cele ale conductelor, caloriferelor, aragazelor și frigiderelor. În cazul în care contactul există, riscul de electrocutare este crescut.
- Nu expuneți sculele electrice ploii sau umezelii. Pătrunderea apei într-un aparat electric crește riscul de electrocutare.
- Nu utilizați cablul într-un scop pentru care nu a fost destinat, de exemplu pentru a transporta sau pentru a agăța scula electrică sau pentru a scoate ștecărul din priză. Feriți cablul de temperaturi ridicate, ulei, muchii ascuțite sau de piese ale aparatului aflate în mișcare. Cablurile deteriorate sau încurcate cresc riscul de electrocutare.
- Atunci când lucrați cu o sculă electrică în aer liber, utilizați numai cabluri prelungitoare care sunt admise pentru uzul în exterior. Utilizarea unui cablu prelungitor adecvat pentru uzul în exterior reduce riscul de electrocutare.

- f) Dacă utilizarea sculei electrice într-un mediu umed este inevitabilă, utilizați un întrerupător de protecție contra curenților vagabonzi. Utilizarea unui întrerupător de protecție contra curenților vagabonzi reduce riscul de electrocutare.

### 3. Siguranța persoanelor

- a) Fiți mereu precaut, fiți atent la ceea ce faceți și acționați în mod rațional atunci când lucrați cu o sculă electrică. Nu utilizați sculele electrice dacă sunteți obosit sau dacă vă aflați sub influența drogurilor, alcoolului sau a medicamentelor. Un moment de neatenție în timpul utilizării sculei electrice poate duce la răni grave.
- b) Purtați echipament individual de protecție și întotdeauna ochelari de protecție. Purtarea de echipament individual de protecție precum mască anti-praf, încălțăminte de protecție antide-rapantă, cască de protecție sau echipament de protecție a auzului, în funcție de tipul și utilizarea sculei electrice, reduce riscul de rănire.
- c) Evitați punerea în funcțiune neintenționată. Asigurați-vă că scula electrică este oprită înainte de a o conecta la alimentarea cu curent și/sau la acumulator, de a o lua în mână sau de a o transporta. Transportul sculei electrice cu degetul pe comutator sau conectarea aparatului deja pornit la alimentarea cu curent poate provoca accidente.
- d) Îndepărtați sculele de reglare sau șurubelnițele înainte de a porni scula electrică. O sculă sau o cheie care se află într-o piesă rotativă a aparatului poate provoca răni.
- e) Evitați pozițiile anormale ale corpului. Asigurați o poziție fixă și păstrați-vă echilibrul în orice moment. Astfel puteți controla mai bine scula electrică în situații neașteptate.
- f) Purtați îmbrăcăminte adecvată. Nu purtați îmbrăcăminte largă sau bijuterii. Feriți părul, îmbrăcăminte și mânușile de componentele mobile. Îmbrăcăminte largă, bijuteriile sau părul lung pot fi agățate de componentele mobile.

- g) Dacă pot fi montate dispozitive de aspirare și de captare a prafului, asigurați-vă că acestea sunt conectate și că sunt utilizate corect. Utilizarea unui dispozitiv de aspirare a prafului poate reduce pericolurile provocate de praf.

### 4. Utilizarea și manevrarea sculei electrice

- a) Nu suprasolicitați aparatul. Utilizați pentru lucrarea dvs. scula electrică destinată respectivei lucrări. Cu scula electrică adecvată lucrați mai bine și mai sigur în domeniul de putere specificat.
- b) Nu utilizați scule electrice al căror comutator este defect. O sculă electrică a cărei pornire sau oprire nu mai este posibilă, este periculoasă și trebuie reparată.
- c) Scoateți ștecărul din priză și/sau îndepărtați acumulatorul înainte de a efectua reglaje la aparat, de a schimba accesoriile sau de a pune aparatul deoparte. Această măsură de precauție împiedică pornirea neintenționată a sculei electrice.
- d) Păstrați sculele electrice neutilizate în locuri inaccesibile copiilor. Nu permiteți ca aparatul să fie utilizat de persoane care nu sunt familiarizate cu aparatul sau care nu au citit aceste instrucțiuni. Sculele electrice sunt periculoase dacă sunt utilizate de persoane fără experiență.
- e) Îngrijiți cu atenție sculele electrice. Verificați dacă componentele mobile funcționează ireproșabil și dacă nu se blochează, dacă există componente rupte sau deteriorate în așa fel încât să fie afectată funcționarea sculei electrice. Înainte de utilizarea aparatului solicitați repararea componentelor deteriorate. Multe dintre accidente sunt provocate de întreținerea necorespunzătoare a sculelor electrice.
- f) Mențineți sculele de tăiere ascuțite și curate. Sculele de tăiere îngrijite cu atenție, cu muchii de tăiere ascuțite se blochează mai rar și sunt mai ușor de controlat.

g) Utilizați sculele electrice, accesoriile, capetele atașabile etc. conform acestor instrucțiuni. În același timp aveți în vedere condițiile de muncă și activitatea pe care trebuie să o executați. Utilizarea sculelor electrice pentru alte aplicații decât cele prevăzute poate duce la situații periculoase.

## 5. Service

- a) Solicitați repararea sculei dvs. electrice numai de către personal calificat și numai cu piese de schimb originale. Astfel se asigură menținerea siguranței sculei electrice.
- b) Solicitați întotdeauna producătorului sculei electrice sau serviciului clienți al acestuia înlocuirea ștecărului sau a cablului de conexiune. Astfel se asigură menținerea siguranței sculei electrice.

## Indicații de siguranță pentru toate aplicațiile

### Indicații de siguranță comune pentru șlefuire și debitare:

- a) Această sculă electrică este destinată utilizării ca mașină de șlefuit și mașină de debitat. Respectați toate indicațiile de siguranță, instrucțiunile, ilustrațiile și specificațiile furnizate împreună cu aparatul. Nerespectarea următoarelor instrucțiuni poate provoca electrocutare, incendiu și/sau rănirea gravă.
- b) Această sculă electrică nu este destinată pentru șlefuirea cu hârtie abrazivă, lucrul cu perii metalice și polizare. Utilizările pentru care această sculă nu a fost concepută pot cauza pericole și răniri.
- c) Nu utilizați accesorii care nu au fost special prevăzute sau recomandate de producător pentru această sculă electrică. Simpla fixare a unui accesoriu la scula electrică nu garantează utilizarea sigură a acesteia.
- d) Turația admisă a accesoriului trebuie să fie cel puțin egală cu turația maximă specificată pentru scula electrică. Accesoriile care se rotesc mai repede decât turația admisă se pot avaria și pot fi aruncate din aparat.
- e) Diametrul exterior și grosimea accesoriului trebuie să corespundă dimensiunilor indicate pentru scula dvs. electrică. Accesoriile dimensionate eronat nu pot fi protejate sau controlate suficient.
- f) Accesoriile cu filet trebuie să se potrivească exact pe filetul arborelui de șlefuit. În cazul accesoriilor care se montează cu ajutorul flanșei, diametrul găurii accesoriului trebuie să se potrivească cu diametrul de fixare al flanșei. Accesoriile care nu se potrivesc exact la arbore se rotesc neuniform, vibrează foarte tare și pot provoca pierderea controlului.
- g) Nu utilizați accesorii deteriorate. Verificați accesoriile înaintea fiecărei utilizări: discurile de șlefuit în privința degradării sau fisurilor, plăcile de șlefuit în privința fisurilor sau uzurii excesive, perile metalice în privința sârmelor desfăcute sau rupte. Dacă scula electrică sau accesoriul cade, verificați dacă s-a deteriorat sau utilizați un accesoriu nedeteriorat. După verificarea și montarea accesoriului mențineți-vă atât dvs., cât și alte persoane în afara zonei de rotație a accesoriului și lăsați aparatul să funcționeze timp de un minut la turația maximă. De regulă, accesoriile defecte cedează pe durata acestui test.
- h) Purtați echipament individual de protecție. În funcție de aplicație utilizați o mască facială completă, protecție pentru ochi sau ochelari de protecție. Dacă este cazul, purtați o mască antipraf, protecție auditivă, mănuși de protecție sau un șorț special care să mențină la distanță particulele rezultate la șlefuire și cele de material. Ochii trebuie protejați împotriva proiectării fragmentelor de material rezultate la diverse aplicații. Maska antipraf sau masca respiratorie vor filtra praful degajat. Expunerea îndelungată la zgomot puternic poate afecta auzul.
- i) Asigurați-vă că celelalte persoane se află la o distanță sigură față de zona dvs. de lucru. Persoanele care pătrund în zona de lucru trebuie să poarte echipament individual de protecție. Fragmente din piesa prelucrată sau accesoriile avariate pot fi proiectate, provocând rănirea chiar și în afara zonei de lucru propriuzise.

- j) Țineți scula electrică numai de suprafețele de prindere izolate atunci când executați lucrări la care accesoriul poate întâlni cabluri electrice ascunse sau cablul de alimentare. Contactul cu un cablu conducător de tensiune poate pune sub tensiune și componentele metalice ale aparatului, putând provoca electrocutarea.
- k) **Mențineți cablul de alimentare departe de accesoriile aflate în rotație.** În cazul pierderii controlului asupra aparatului, cablul de alimentare se poate rupe sau poate fi prins, iar mâna sau brațul dvs. pot fi apucate în accesoriul aflat în rotație.
- l) **Nu lăsați niciodată din mână scula electrică înaintea opririi complete a accesoriului.** Accesoriul aflat în rotație poate atinge suprafața de depunere, provocând pierderea controlului asupra sculei electrice.
- m) **Nu lăsați scula electrică să funcționeze în timp ce o transportați.** Îmbrăcămintea dvs. poate fi apucată accidental de accesoriul aflat în rotație, răbindu-vă.
- n) **Curățați în mod regulat fantele de aerisire ale sculei electrice.** Ventilatorul motorului aspiră praf în carcasă, iar acumulările considerabile de pulbere metalică pot provoca pericole de natură electrică.
- o) **Nu utilizați scula electrică în apropierea materialelor inflamabile.** Scânteile pot aprinde aceste materiale.
- p) **Nu utilizați accesorii care necesită agenți de răcire lichizi.** Utilizarea apei sau a altor agenți de răcire lichizi poate provoca electrocutarea.

## **Indicații de siguranță privind reculul**

Reculul reprezintă reacția bruscă provocată de accesoriul în rotație prins sau blocat, precum discul de șlefuit, placa de șlefuit, peria metalică etc. Prinderea sau blocarea provoacă oprirea bruscă a accesoriului aflat în rotație. Astfel, scula electrică este antrenată în mod necontrolat în punctul de blocare în sens invers direcției de rotație a accesoriului.

De exemplu, atunci când discul de șlefuit este prins sau blocat în piesa de prelucrat, marginea discului de șlefuit care pătrunde în piesă se poate bloca în aceasta, discul de șlefuit putând fi aruncat sau provoca recul. În această situație discul de șlefuit se deplasează către operator sau dinspre acesta, în funcție de direcția de rotație a discului în punctul de blocare. În acest caz este posibilă ruperea discurilor de șlefuit.

Reculul reprezintă consecința utilizării eronate sau defectuoase a sculei electrice. Reculul poate fi evitat adoptând măsuri de precauție adecvate, precum cele descrise în continuare:

- a) **Țineți scula electrică ferm și poziționați corpul și brațele astfel încât să puteți contracara forța reculului. Utilizați întotdeauna mânerul suplimentar, dacă există, pentru asigurarea unui control optim asupra reculului sau cuplului la pornire.** Operatorul poate stăpâni forța reculului și forțele de reacție prin măsuri de precauție adecvate.
- b) **Nu apropiați niciodată mâinile de accesoriile aflate în rotație.** În caz de recul, accesoriul se poate deplasa peste mâinile dvs.
- c) **Evitați poziționarea corpului în zona de deplasare a sculei electrice în caz de recul.** Reculul propulsează scula electrică în direcția opusă mișcării discului de șlefuit în punctul de blocare.
- d) **Lucați cu deosebită atenție în zona colțurilor, muchiilor ascuțite etc. Evitați ricoșarea accesoriilor de la piesa de prelucrat și blocarea acestora.** Accesoriul aflat în rotație tinde să se blocheze atunci când ricoșează la colțuri sau muchii ascuțite. Acest lucru provoacă pierderea controlului sau reculul.



- e) Nu utilizați lanțuri de tăiere sau pânze de ferăstrău dințate. Astfel de accesorii provoacă adesea recul sau pierderea controlului asupra sculei electrice.

### **Indicații speciale de siguranță pentru șlefuire și debitare cu disc abraziv**

- a) Utilizați numai corpuri abrazive omologate pentru scula dvs. electrică și capacul de protecție prevăzut pentru acestea. Corpurile abrazive care nu sunt prevăzute pentru această sculă electrică nu pot fi protejate suficient, fiind nesigure.
- b) Discurile de șlefuit cotite trebuie montate în așa fel încât suprafața lor de șlefuire să nu depășească nivelul marginii capacului de protecție. Un disc de șlefuit montat necorespunzător, care depășește nivelul marginii capacului de protecție, nu poate fi protejat suficient.
- c) Capacul de protecție trebuie montat corect la scula electrică și reglat pentru a oferi o siguranță maximă, astfel încât partea corpului abraziv îndreptată spre utilizator să fie cât mai mică. Capacul de protecție trebuie să protejeze operatorul de fragmentele desprinse și de contactul accidental cu corpul abraziv.
- d) Corpurile de șlefuit pot fi utilizate doar în scopurile recomandate.  
De exemplu: Nu șlefuiți niciodată cu suprafața laterală a unui disc de debitare. Discurile de debitare sunt prevăzute pentru tăierea materialului cu marginea discului. Acțiunea forței laterale asupra corpurilor abrazive le poate rupe.
- e) Utilizați întotdeauna flanșe de fixare nedeteriorate, cu dimensiunea și forma corespunzătoare pentru discul dvs. de șlefuit. O flanșă adecvată susține discul de șlefuit, diminuând astfel pericolul ruperii acestuia. Flanșele pentru discurile de debitare pot diferi de flanșele pentru alte discuri de șlefuit.
- f) Nu utilizați discuri de șlefuit uzate concepute pentru scule electrice mai mari. Discurile de șlefuit pentru sculele electrice mai mari nu sunt prevăzute pentru turațiile ridicate ale sculelor electrice mai mici și se pot rupe.

### **Alte indicații de siguranță speciale pentru debitarea cu disc abraziv**

- a) Evitați blocarea discului de debitare sau exercitarea unei presiuni prea ridicate.  
Nu executați tăieturi cu adâncime excesivă. Suprasolicitația discului de debitare sporește sarcina și tendința de gripare sau blocare și astfel posibilitatea reculului sau a ruperii discului.
- b) Evitați poziționarea în fața și în spatele discului de debitare aflat în rotație. Atunci când discul de debitare se deplasează din piesa de prelucrat, în caz de recul, scula electrică poate propulsa discul aflat în rotație direct spre dvs.
- c) În cazul blocării discului de debitare sau al întreruperii activității, opriți aparatul și mențineți-l stabil până la oprirea discului. Nu încercați niciodată să scoateți discul de debitare aflat încă în funcțiune din tăietură, deoarece altfel se poate produce recul. Identificați și remediați cauza blocării.
- d) Nu reporniți scula electrică cât timp aceasta se află în piesa de prelucrat. Înainte de a continua tăierea permiteți discului de debitare să atingă turația maximă. În caz contrar, discul se poate bloca, poate sări din piesă sau poate provoca un recul.
- e) Sprijiniți plăcile sau piesele de prelucrat de mari dimensiuni pentru a reduce la minimum riscul unui recul prin blocarea discului de debitare. Piesele de mari dimensiuni se pot curba sub greutatea proprie. Piesa trebuie sprijinită în ambele părți ale discului, atât în apropierea discului de debitare, cât și la margine.
- f) Manifestați precauție deosebită în special la tăierea „buzunarelor” în pereți sau alte zone fără vizibilitate. Discul de debitare introdus poate întâlni conducte de gaz sau de apă, cabluri electrice sau alte obiecte, provocând recul.

**Accesorii admisibile**

	Diametrul max. Ø (mm)	Gro-simea max. (mm)	Dimensiunea filetului (mm)	Turația (min <sup>-1</sup> )	Turația (m/s)	Scula	Capac de protecție
Discuri de debitare	230	3	M14	6500	80	Cheie cu pini	Da
Discuri de degroșare	230	6	M14	6500	80	Cheie cu pini	Da

**Depozitarea și manipularea accesoriilor recomandate**

- Sculele de șlefuit trebuie manevrate și transportate cu atenție.
- Sculele de șlefuit trebuie depozitate fără a fi expuse deteriorărilor mecanice sau factorilor de mediu (de exemplu, umezeală).

## Instrucțiuni de lucru

### INDICAȚIE

- ▶ Corpurile abrazive pot fi utilizate numai pentru aplicațiile recomandate. În caz contrar, acestea se pot rupe sau deteriora și provoca rănirea.

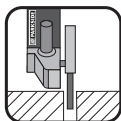
### Șlefuirea de degroșare:



Nu utilizați niciodată discurile de debitare pentru degroșare!

- Deplasați polizorul unghiular încoace și încolo pe piesă, exercitând o presiune moderată.
- În cazul materialelor moi, deplasați discul de degroșare în unghi plan pe piesă, iar la materialele tari, în unghi mai abrupt.

### Debitarea cu disc abraziv:



Nu utilizați niciodată discurile de degroșare pentru debitare!

- Utilizați numai discuri de debitare sau degroșare verificate, ranforsate cu fibre, omologate pentru o viteză periferică de rotație de minimum 80 m/s.

### ⚠ PRECAUȚIE!!

Scula de șlefuit continuă să funcționeze după oprire. Nu o opriți exercitând presiune laterală.

- **Asigurați piesa de prelucrat.** Utilizați dispozitive de prindere / menghină pentru a fixa piesa de prelucrat. În acest mod piesa este mai bine fixată decât cu mâna.
- **Înainte de a așeza aparatul deoparte deconectați-l întotdeauna și așteptați să se oprească.**
- **În cazul unei pene de curent sau la scoaterea ștecărului din priză deblocați imediat comutatorul PORNIT / OPRIT.** Poziționați-l în poziția OPRIT. Aceasta va împiedica repornirea necontrolată.
- Utilizați aparatul numai pentru tăierea sau șlefuirea uscată.
- Mânerul suplimentar **6** trebuie să fie montat la toate lucrările cu aparatul.
- Este interzisă prelucrarea materialelor cu conținut de azbest. Azbestul este cancerigen.



Sugestie! Mod de lucru pentru o utilizare corectă.

### ⚠ PERICOL! DIRIJAȚI ÎNTOTDEAUNA APARATUL ÎN SENS INVERS PRIN PIESA DE PRELUCRAT.

- ▶ La utilizarea în sens opus există pericol de recul. Aparatul poate fi împins din tăietură.
- **Conectați aparatul întotdeauna înaintea utilizării pe piesa de prelucrat.** După finalizarea prelucrării ridicați aparatul de pe piesă și abia apoi opriți-l.
- **Pe durata lucrului țineți întotdeauna aparatul ferm, cu ambele mâini.** Asigurați o poziție stabilă.
- Pentru obținerea unei șlefuiți optime, deplasați aparatul uniform încoace și încolo pe piesă, la un unghi între 15° și 30° (între discul de șlefuit și piesă).

- La prelucrarea suprafețelor oblice nu trebuie exercitată o forță ridicată asupra piesei. În cazul scăderii considerabile a turației trebuie redusă forța de apăsare, în vederea asigurării unei prelucrări sigure și eficiente. În cazul opririi bruște sau blocării aparatului se va întrerupe imediat alimentarea electrică.
- **Deconectarea:** Lucrați cu un avans moderat și nu deformați discul de debitare.
- Discurile de degroșare și de debitare se înfierbântă foarte tare pe durata utilizării; așteptați răcirea completă a acestora înainte de a le atinge.
- Nu utilizați aparatul într-un alt scop decât cel prevăzut.
- Înaintea introducerii ștecărului în priză verificați întotdeauna ca aparatul să fie oprit.
- În caz de pericol scoateți imediat ștecărul din priză. Asigurați-vă că aparatul și ștecărul sunt ușor accesibile și că se poate ajunge ușor la ele în caz de urgență.
- Scoateți întotdeauna ștecărul din priză în timpul pauzelor de lucru, la efectuarea de lucrări la aparat și în cazul neutilizării acestuia. Aparatul trebuie să fie permanent curat, uscat și să nu prezinte ulei sau unsori.
- Fiți întotdeauna atenți! Acționați întotdeauna rațional și în cunoștință de cauză. Nu utilizați niciodată aparatul dacă nu vă puteți concentra sau dacă nu vă simțiți bine.



**Purtați ochelari de protecție!**



**Purtați mască antipraf!**

## Deservirea

### Montarea capacului de protecție cu dispozitiv de închidere rapidă

#### **⚠️ AVERTIZARE! PERICOL DE RĂNIRE**

- ▶ Înainte de a efectua orice lucrări la aparat, scoateți ștecărul din priză!

#### **⚠️ PERICOL DE RĂNIRE**

- ▶ Utilizați întotdeauna polizorul unghiular cu capacul de protecție **7**. Capacul de protecție trebuie montat corect la polizorul unghiular. Acesta trebuie reglat pentru a oferi o siguranță maximă, astfel încât partea corpului abraziv îndreptată spre operator să fie cât mai mică. Capacul de protecție **7** trebuie să protejeze operatorul de fragmentele desprinse și de contactul accidental cu corpul abraziv.

#### **⚠️ PERICOL DE RĂNIRE**

- ▶ Asigurați-vă că capacul de protecție **7** este montat cel puțin în același unghi ca și mânerul suplimentar **6** (a se vedea fig. B). În caz contrar, discul de degroșare sau de debitare vă poate răni.

- ◆ Deschideți pârghia de tensionare **8**.
- ◆ Poziționați capacul de protecție **7** cu știftul de codificare **9** în fanta de codificare **1b**.
- ◆ Rotiți capacul de protecție **7** în poziția necesară (poziția de lucru). Partea închisă a capacului de protecție **7** trebuie să fie întotdeauna îndreptată spre operator.
- ◆ Închideți pârghia de tensionare **8** pentru a fixa capacul de protecție **7**. Dacă este necesar, forța de strângere a dispozitivului de închidere poate fi modificată prin desfacerea sau strângerea șurubului de reglare **10**. Asigurați-vă că capacul de protecție **7** este poziționat fix pe gulerul axului.

## Montarea mânerului suplimentar

### ⚠️ PRECAUȚIE!

- ▶ Din motive de siguranță, acest aparat se va utiliza numai cu mânerul suplimentar 6. În caz contrar, consecința poate fi rănirea. În funcție de modul de lucru, mânerul suplimentar 6 poate fi montat în stânga, în dreapta sau deasupra aparatului.

## Montarea / schimbarea discului de degroșare / debitare



Portați întotdeauna mănuși de protecție atunci când înlocuiți discurile de debitare / degroșare. Discurile de degroșare și de debitare se încălzesc foarte mult în timpul lucrului. Nu atingeți discurile înainte de răcirea acestora.

Respectați dimensiunile discurilor de degroșare sau de debitare. Diametrul orificiului trebuie să se potrivească fără joc la flanșa de fixare. Nu utilizați piese de reducere sau adaptoare.

- Verificați discul de degroșare sau de debitare. Acesta nu trebuie să fie deteriorat, ud sau să prezinte fisuri. Altfel discurile se pot rupe sau deteriora în timpul utilizării, putând provoca rănirea.

### INDICAȚIE

- ▶ Utilizați întotdeauna numai discuri curate.
- Utilizați numai scule de șlefuit a căror durație să fie cel puțin egală cu durata la mers în gol a aparatului.
- PERICOL DE RĂNIRE! Apăsăți tasta de blocare a axului 11 numai cu axul de fixare oprit 14.
- ◆ Apăsăți tasta de blocare a axului 11 pentru a bloca angrenajul.
- ◆ Desfaceți piulița de strângere 13 cu ajutorul cheii cu pini 17 (a se vedea fig. D).
- ◆ Poziționați discul de degroșare sau de debitare cu partea inscripționată spre aparat, pe flanșa de fixare 15.

- ◆ Apoi poziționați la loc piulița de strângere 13 cu partea ridicată în sus, pe axul de fixare 14.
- ◆ Apăsăți tasta de blocare a axului 11 pentru a bloca angrenajul.
- ◆ Fixați din nou piulița de strângere 13 cu cheia cu pini 17.

### INDICAȚIE

- ▶ Dacă după înlocuire discul funcționează neuniform sau vibrează, acesta trebuie schimbat din nou imediat.
- ◆ Din motive de siguranță, după înlocuirea discului, lăsați aparatul să funcționeze 60 de secunde la turație maximă. Urmăriți zgomotele neobișnuite și formarea scânteilor.
- ◆ Verificați ca toate componentele de fixare să fie montate corect.
- ◆ Asigurați-vă că săgeata direcției de rotație (dacă există) de pe discurile de debitare sau de degroșare (inclusiv discuri de debitare diamantate) corespunde cu direcția de rotație a aparatului (săgeata direcției de rotație de pe capul aparatului).

## Pornirea și oprirea

Înainte de utilizare verificați accesoriul montat. Acesta trebuie să fie montat perfect, nu trebuie să fie deteriorat, ud sau să prezinte fisuri și trebuie să se rotească liber. Realizați un test de funcționare de 60 de secunde. Nu folosiți scule deformate sau oscilante. Urmăriți zgomotele neobișnuite și formarea scânteilor. Apoi verificați ca toate componentele de fixare să fie montate corect.

### INDICAȚIE

- ▶ Porniți întotdeauna polizorul unghiular înainte de contactul cu materialul și abia apoi deplasați aparatul pe piesa de prelucrat.

## Pornirea:

- ◆ Apăsăți întrerupătorul de siguranță 3 (a se vedea fig. E).
- ◆ Apoi apăsați comutatorul PORNIT/OPRIT 2.

## Oprirea:

- ◆ Eliberați din nou comutatorul PORNIT/OPRIT ②.

## Rotirea mânerului aparatului

- Mânerul aparatului ① poate fi rotit la 90° spre dreapta sau spre stânga (a se vedea fig. A).
- Astfel, comutatorul PORNIT / OPRIT ② poate fi așezat în poziția adecvată condițiilor de lucru.
- ◆ Apăsăți tasta de deblocare ④ și rotiți mânerul aparatului ① spre dreapta sau spre stânga.
- ◆ Permiteți mânerului aparatului ① să se fixeze.

## Întreținerea și curățarea



**AVERTIZARE! PERICOL DE RĂNIRE!**  
Înainte de toate lucrările la aparat opriți aparatul și scoateți ștecărul din priză.

- Nu utilizați obiecte ascuțite pentru curățarea aparatului. Trebuie exclusă infiltrarea lichidelor în interiorul aparatului. În caz contrar, aparatul se poate deteriora.
- Solicitați înlocuirea periiilor de carbon numai unui centru de service sau unui atelier specializat autorizat.  
În rest aparatul nu necesită întreținere.
- Curățați aparatul cu regularitate, de preferat imediat după terminarea lucrului.
- Curățați carcasa cu o lavetă uscată; nu adăugați în niciun caz benzină, solvenți sau agenți de curățare care pot ataca plasticul.
- Pentru curățarea temeinică a aparatului este necesară utilizarea unui aspirator.
- Orificiile de aerisire trebuie să fie întotdeauna libere.
- Îndepărtați cu o pensulă praful de șlefuire aderenț.

### INDICAȚIE

- Piesele de schimb nelistate (de exemplu perii de carbon, comutatoare) pot fi comandate prin intermediul liniei noastre telefonice directe de service.

## Eliminarea



Ambalajul este format din materiale ecologice. Acesta poate fi eliminat în recipiențele locale de reciclare.



**Nu aruncați sculele electrice la gunoii menajer!**

Conform Directivei europene 2012/19/EU, sculele electrice uzate trebuie colectate separat și eliminate la un punct de reciclare ecologic.

Informații despre posibilitățile de eliminare a aparatului uzat pot fi obținute de la administrația locală.

## Garanția

**Pentru acest aparat se acordă o garanție de 3 ani de la data cumpărării. Aparatul a fost produs cu grijă și verificat cu rigurozitate înainte de livrării. Păstrați bonul fiscal pentru a dovedi cumpărarea. În caz de defecțiuni în perioada de garanție, contactați telefonic centrul dvs. de service. Numai astfel poate fi asigurată o expediere gratuită a produsului dvs.**

Garanția acoperă numai defectele de material sau de fabricație, nu și deteriorările rezultate în urma transportului, piesele de uzură sau deteriorările apărute la componentele fragile, de exemplu comutatoare sau acumulatori. Aparatul este destinat numai uzului privat și nu utilizărilor comerciale. În cazul manevrării abuzive sau necorespunzătoare, al uzului de forță și al intervențiilor care nu au fost realizate de către filiala noastră autorizată de service, garanția își pierde valabilitatea. Drepturile dvs. legale nu sunt limitate prin această garanție. Perioada de garanție nu este prelungită după efectuarea reparațiilor realizate în perioada de garanție. Acest lucru este valabil și pentru piesele înlocuite și reparate. Deteriorările și deficiențele prezente deja la cumpărare trebuie semnalate imediat după dezambalare sau cel târziu la două zile de la data cumpărării. Reparațiile necesare după expirarea perioadei de garanție se efectuează contra cost.

## Service

**RO** Service România  
 Tel.: 0800896637  
 E-Mail: kompernass@lidl.ro  
 IAN 273273

**Acces linie telefonică directă:** De luni până vineri,  
 între orele 8:00 - 20:00 (CET)

## Importator

KOMPERNASS HANDELS GMBH  
 BURGSTRASSE 21  
 44867 BOCHUM  
 GERMANY  
 www.kompernass.com

## Traducerea declarației de conformitate originale

KOMPERNASS HANDELS GMBH, responsabil  
 cu documentația: dl Semi Uguzlu, BURGSTR. 21,  
 44867 BOCHUM, GERMANIA, declară prin  
 prezenta că acest produs corespunde următoarelor  
 norme, documente normative și directive CE:

**Directiva privind echipamentele tehnice  
 (2006 / 42 / EC)**

**Directiva privind compatibilitatea  
 electromagnetică  
 (2004 / 108 / EC)**

**Directiva privind restricțiile de utilizare  
 a anumitor substanțe periculoase în  
 echipamentele electrice și electronice  
 (2011 / 65 / EU)**

### Norme armonizate aplicate:

EN 60745-1:2009/A11:2010  
 EN 60745-2-3:2011/A12:2014  
 EN 55014-1:2006/A2:2011  
 EN 55014-2:1997/A2:2008  
 EN 61000-3-2:2014  
 EN 61000-3-3:2013

### Denumirea tipului mașinii:

Polizor unghiular PWS 230 B2

### Anul de fabricație: 10-2015

### Număr de serie: IAN 273273

Bochum, 21.08.2015



Semi Uguzlu  
 - Manager calitate -

Ne rezervăm dreptul asupra modificărilor tehnice  
 în scopul dezvoltării ulterioare.





## Περιεχόμενα

<b>Εισαγωγή</b> . . . . .	<b>30</b>
Προβλεπόμενη χρήση . . . . .	30
Εξοπλισμός . . . . .	30
Παραδοτέος εξοπλισμός . . . . .	30
Τεχνικά χαρακτηριστικά . . . . .	30
<b>Γενικές υποδείξεις ασφαλείας για ηλεκτρικά εργαλεία</b> . . . . .	<b>31</b>
1. Ασφάλεια στο χώρο εργασίας . . . . .	31
2. Ηλεκτρική ασφάλεια . . . . .	31
3. Ασφάλεια ατόμων . . . . .	32
4. Χρήση και χειρισμός του ηλεκτρικού εργαλείου . . . . .	32
5. Σέρβις . . . . .	33
Υποδείξεις ασφαλείας για όλες τις χρήσεις . . . . .	33
Αντεπιστροφή και αντίστοιχες υποδείξεις ασφαλείας . . . . .	34
Ειδικές υποδείξεις ασφαλείας για λείανση και αποκοπή με λείανση . . . . .	35
Περισσότερες ειδικές υποδείξεις ασφαλείας για αποκοπή με λείανση . . . . .	36
Επιτρεπόμενα αξεσουάρ . . . . .	37
Φύλαξη και χειρισμός των προτεινόμενων εργαλείων εφαρμογής . . . . .	37
Υποδείξεις εργασίας . . . . .	38
<b>Χειρισμός</b> . . . . .	<b>39</b>
Συναρμολόγηση του προστατευτικού καλύμματος με ταχυσύνδεσμο . . . . .	39
Συναρμολόγηση της πρόσθετης χειρολαβής . . . . .	40
Συναρμολόγηση/Αλλαγή δίσκου τριανταρίσματος/κοπής . . . . .	40
Ενεργοποίηση και απενεργοποίηση . . . . .	40
Περιστροφή λαβής συσκευής . . . . .	41
<b>Συντήρηση και καθαρισμός</b> . . . . .	<b>41</b>
<b>Απόρριψη</b> . . . . .	<b>41</b>
<b>Εγγύηση</b> . . . . .	<b>42</b>
<b>Σέρβις</b> . . . . .	<b>42</b>
<b>Εισαγωγείας</b> . . . . .	<b>42</b>
<b>Μετάφραση της Πρωτότυπης Δήλωση συμμόρφωσης</b> . . . . .	<b>42</b>

## **ΓΩΝΙΑΚΟΣ ΤΡΟΧΟΣ PWS 230 B2**

### **Εισαγωγή**



Συγχαρητήρια για την αγορά της νέας σας συσκευής. Αποφασίσατε έτσι για την απόκτηση ενός προϊόντος υψηλής ποιότητας.

Οι οδηγίες χρήσης είναι τμήμα αυτού του προϊόντος. Περιέχουν σημαντικές υποδείξεις για την ασφάλεια, τη χρήση και την απόρριψη. Πριν από τη χρήση του προϊόντος, εξοικειωθείτε με όλες τις υποδείξεις χειρισμού και ασφάλειας. Χρησιμοποιείτε το προϊόν μόνο όπως περιγράφεται και για τους αναφερόμενους τομείς χρήσης. Παραδώστε όλα τα έγγραφα σε περίπτωση παράδοσης του προϊόντος σε τρίτους.

### **Προβλεπόμενη χρήση**

Η συσκευή ενδείκνυται για κοπή, προλείανση μεταλλικών υλικών χωρίς τη χρήση νερού. Κάθε άλλη χρήση ή μετατροπή της συσκευής ισχύει ως μη σύμφωνη με τους κανονισμούς και ενέχει σημαντικούς κινδύνους ατυχημάτων. Για βλάβες που προέρχονται από ακατάλληλη χρήση δεν αναλαμβάνουμε καμία ευθύνη. Η συσκευή δεν προορίζεται για επαγγελματική χρήση.

### **Εξοπλισμός**

- 1 Λαβή συσκευής (περιστρεφόμενη)
- 2 Διακόπτης ON/OFF
- 3 Φραγή ενεργοποίησης
- 4 Πλήκτρο απασφάλισης
- 5 Κάλυμμα για τα καρβονάκια
- 6 Πρόσθετη χειρολαβή
- 7 Προστατευτικό κάλυμμα
- 8 Μοχλός τάνυσης
- 9 Προεξοχή κωδικοποίησης
- 10 Βίδα ρύθμισης
- 11 Πλήκτρο ασφάλισης ατράκτου
- 12 Σπείρωμα (3 x) για πρόσθετη χειρολαβή
- 13 Περικόχλιο συγκράτησης (βλ. Εικ. C)
- 14 Ατρακτος υποδοχής (βλ. Εικ. C)
- 15 Φλάντζα υποδοχής (βλ. Εικ. C)
- 16 Σφηναύλακα (βλ. Εικ. C)
- 17 Κλειδί δύο οπών

### **Παραδοτέος εξοπλισμός**

- 1 Γωνιακός τροχός PWS 230 B2
- 1 Πρόσθετη χειρολαβή
- 1 Προστατευτικό κάλυμμα
- 1 Κλειδί δύο οπών
- 1 Οδηγίες χρήσης

### **Τεχνικά χαρακτηριστικά**

- Όνομαστική τάση: 230 - 240 V ~ 50 Hz  
(Εναλλασσόμενο ρεύμα)
- Όνομαστική απορροφούμενη ισχύς: 2000 W
- Αριθμός στροφών μέτρησης: n 6500 min<sup>-1</sup>
- Διάσταση δίσκου: Ø 230 mm
- Διάσταση σπειρώματος: M14
- Κατηγορία προστασίας: II/□

### **Πληροφορίες θορύβου και κραδασμών:**

Τιμή μέτρησης για θόρυβο διακριβωμένη σύμφωνα με το EN 60745. Το επίπεδο θορύβου Α-στάθμισης του ηλεκτρικού εργαλείου ανέρχεται συνήθως:

### **Τιμή εκπομπών θορύβου:**

- Στάθμη ηχητικής πίεσης:  $L_{PA} = 91,4$  dB (A)
- Αβεβαιότητα:  $K = 3$  dB (A)
- Επιτρεπόμενη στάθμη θορύβου:  $L_{WA} = 102,4$  dB (A)
- Αβεβαιότητα:  $K = 3$  dB (A)



**Φοράτε προστασία για την ακοή!**

### **Συνολική τιμή κραδασμών:**

- Λείανση επιφανειών:  $a_{b,AG} = 7,4$  m/s<sup>2</sup>
- Αβεβαιότητα:  $K = 1,5$  m/s<sup>2</sup>

**⚠️ ΠΡΟΕΙΔΟΠΟΙΗΣΗ!**

► Το αναφερόμενο σε αυτές τις οδηγίες επίπεδο κραδασμών έχει μετρηθεί σύμφωνα με μια τυποποιημένη στο EN 60745 διαδικασία μέτρησης και μπορεί να χρησιμοποιείται για τη σύγκριση συσκευών. Η αναφερόμενη τιμή εκπομπής κραδασμών μπορεί επίσης να χρησιμοποιείται για μια αρχική εκτίμηση της έκθεσης. Το επίπεδο κραδασμών θα αλλάξει σύμφωνα με τη χρήση του ηλεκτρικού εργαλείου και σε ορισμένες περιπτώσεις μπορεί να βρίσκεται πάνω από την αναφερόμενη σε αυτές τις οδηγίες τιμή. Το φορτίο κραδασμών θα μπορούσε να υποτιμηθεί, εάν το ηλεκτρικό εργαλείο χρησιμοποιείται τακτικά με αυτό τον τρόπο.

**ΥΠΟΔΕΙΞΗ**

► Προσπαθείτε να κρατάτε την επιβάρυνση λόγω δονήσεων όσο το δυνατόν μικρότερη. Παραδειγματικά μέτρα μείωσης της επιβάρυνσης λόγω δονήσεων είναι η χρήση γαντιών κατά τη χρήση του εργαλείου και ο περιορισμός του χρόνου εργασίας. Εδώ πρέπει να συνυπολογίζονται όλα τα μέρη του κύκλου εργασίας (παραδείγματος χάριν χρόνοι, κατά τους οποίους το ηλεκτρικό εργαλείο είναι απενεργοποιημένο, και χρόνοι, κατά τους οποίους είναι μεν ενεργοποιημένο, αλλά λειτουργεί χωρίς φορτίο).



**Γενικές υποδείξεις ασφαλείας για ηλεκτρικά εργαλεία**

**⚠️ ΠΡΟΕΙΔΟΠΟΙΗΣΗ!**

► Διαβάστε όλες τις υποδείξεις ασφαλείας και τις οδηγίες. Παραλείψεις κατά την τήρηση των υποδείξεων ασφαλείας και των οδηγιών μπορούν να προκαλέσουν ηλεκτροπληξία, πυρκαγιά και/ή σοβαρούς τραυματισμούς.

Φυλάξτε όλες τις υποδείξεις ασφαλείας και τις οδηγίες για το μέλλον.

Ο χρησιμοποιούμενος σε αυτές τις υποδείξεις ασφαλείας όρος "Ηλεκτρικό εργαλείο" αναφέρεται σε ηλεκτρικά εργαλεία (με καλώδιο) που λειτουργούν με ρεύμα και σε ηλεκτρικά εργαλεία (χωρίς καλώδιο) που λειτουργούν μέσω συσσωρευτή.

**1. Ασφάλεια στο χώρο εργασίας**

- α) Διατηρείτε το χώρο εργασίας σας καθαρό και καλά φωτισμένο. Η ακαταστασία και οι μη φωτισμένοι χώροι εργασίας μπορούν να οδηγήσουν σε ατυχήματα.
- β) Μην εργάζεστε με το ηλεκτρικό εργαλείο σε περιβάλλον όπου υπάρχει κίνδυνος έκρηξης, εύφλεκτα υγρά, αέρια ή σκόνες. Τα ηλεκτρικά εργαλεία δημιουργούν σπινθήρες, οι οποίοι μπορούν να προκαλέσουν ανάφλεξη στη σκόνη ή στους ατμούς.
- γ) Κρατάτε τα παιδιά και άλλα άτομα μακριά κατά τη χρήση του ηλεκτρικού εργαλείου. Σε περίπτωση διάσπασης της προσοχής μπορεί να χάσετε τον έλεγχο της συσκευής.

GR  
CY

**2. Ηλεκτρική ασφάλεια**

- α) Το βύσμα σύνδεσης του ηλεκτρικού εργαλείου πρέπει να ταιριάζει στην πρίζα. Το βύσμα δεν επιτρέπεται να τροποποιηθεί με κανέναν τρόπο.  
Μη χρησιμοποιείτε βύσματα ανταπτόρωμα μαζί με γειωμένα ηλεκτρικά εργαλεία. Τα βύσματα που δεν έχουν τροποποιηθεί και οι κατάλληλες πρίζες μειώνουν τον κίνδυνο ηλεκτροπληξίας.
- β) Αποφεύγετε τη σωματική επαφή με γειωμένες επιφάνειες, όπως σωλήνες, θερμαντικά σώματα, εστίες και ψυγεία. Υπάρχει αυξημένος κίνδυνος λόγω ηλεκτροπληξίας όταν το σώμα σας είναι γειωμένο.
- γ) Κρατάτε τα ηλεκτρικά εργαλεία μακριά από βροχή ή υγρασία. Η διείσδυση νερού σε μια ηλεκτρική συσκευή αυξάνει τον κίνδυνο ηλεκτροπληξίας.
- δ) Μη χρησιμοποιείτε το καλώδιο άσκοπα, π.χ. για να μεταφέρετε το ηλεκτρικό εργαλείο, να το κρεμάσετε ή για να τραβήξετε το βύσμα από την πρίζα. Κρατάτε το καλώδιο μακριά από υψηλές θερμοκρασίες, λάδια, αιχμηρές άκρες ή κινούμενα τμήματα της συσκευής. Τα φθαρμένα ή ημπερδεμένα καλώδια αυξάνουν τον κίνδυνο ηλεκτροπληξίας.

ε) Όταν εργάζεστε με ένα ηλεκτρικό εργαλείο σε εξωτερικό χώρο, χρησιμοποιείτε μόνο καλώδια επέκτασης, τα οποία έχουν εγκριθεί για εξωτερικούς χώρους. Η χρήση κατάλληλου καλωδίου επέκτασης για εξωτερικό χώρο μειώνει τον κίνδυνο ηλεκτροπληξίας.

στ) Εάν δεν μπορεί να αποφευχθεί η λειτουργία του ηλεκτρικού εργαλείου σε υγρό περιβάλλον, χρησιμοποιείτε διακόπτη ασφαλείας. Η χρήση διακόπτη ασφαλείας μειώνει τον κίνδυνο ηλεκτροπληξίας.

### 3. Ασφάλεια ατόμων

α) Να είστε πάντα προσεκτικοί, προσέχετε τι κάνετε και χρησιμοποιείτε τη λογική όταν εργάζεστε με ένα ηλεκτρικό εργαλείο. Μη χρησιμοποιείτε ηλεκτρικά εργαλεία εάν είστε κουρασμένοι ή υπό την επήρεια ναρκωτικών, αλκοόλ ή φαρμάκων. Ένα μόνο λεπτό απροσεξίας κατά τη χρήση του ηλεκτρικού εργαλείου αρκεί για να οδηγήσει σε σοβαρούς τραυματισμούς.

β) Φοράτε ατομικό προστατευτικό εξοπλισμό και πάντα γυαλιά προστασίας. Όταν φοράτε ατομικό προστατευτικό εξοπλισμό, όπως μάσκα για τη σκόνη, αντιολισθητικά υποδήματα ασφαλείας, κράνος ή προστασία για την ακοή, ανάλογα με το είδος και τη χρήση του ηλεκτρικού εργαλείου, μειώνεται ο κίνδυνος τραυματισμών.

γ) Αποφεύγετε μια μη ηθελημένη θέση σε λειτουργία. Βεβαιώνετε ότι το ηλεκτρικό εργαλείο έχει απενεργοποιηθεί, προτού το συνδέσετε στην τροφοδοσία ρεύματος και/ή το συσσωρευτή, το σηκώσετε ή το μεταφέρετε. Όταν μεταφέρετε το ηλεκτρικό εργαλείο και έχετε το δάχτυλο στο διακόπτη ή εάν έχετε συνδέσει την ήδη ενεργοποιημένη συσκευή στην παροχή ρεύματος, αυτό μπορεί να οδηγήσει σε ατυχήματα.

δ) Απομακρύνετε εργαλεία ρύθμισης ή μηχανικά κλειδιά πριν ενεργοποιήσετε το ηλεκτρικό εργαλείο. Ένα εργαλείο ή κλειδί, το οποίο βρίσκεται σε ένα περιστρεφόμενο τμήμα της συσκευής, μπορεί να οδηγήσει σε τραυματισμούς.

ε) Αποφεύγετε μια λάθος στάση του σώματος. Φροντίζετε για μια ασφαλή στάση και διατηρείτε πάντα την ισορροπία. Έτσι μπορείτε να ελέγχετε το ηλεκτρικό εργαλείο καλύτερα σε μη αναμενόμενες καταστάσεις.

στ) Φοράτε κατάλληλο ρουχισμό. Μη φοράτε μακριά ρούχα ή κοσμήματα. Κρατάτε τα μαλλιά, τα ρούχα και τα γάντια μακριά από κινούμενα τμήματα. Τα χαλαρά ρούχα, τα κοσμήματα ή τα μακριά μαλλιά μπορούν να πιαστούν από κινούμενα τμήματα.

ζ) Εάν μπορούν να συναρμολογηθούν διατάξεις απορρόφησης και συλλογής σκόνης, βεβαιώστε ότι αυτές έχουν συνδεθεί και χρησιμοποιούνται σωστά. Η χρήση μιας διάταξης απορρόφησης σκόνης μπορεί να μειώσει τους κινδύνους από τη σκόνη.

### 4. Χρήση και χειρισμός του ηλεκτρικού εργαλείου

α) Μην υπερφορτώνετε τη συσκευή. Χρησιμοποιείτε για την εργασία σας το αντίστοιχο ηλεκτρικό εργαλείο. Με το κατάλληλο ηλεκτρικό εργαλείο εργάζεστε καλύτερα και ασφαλέστερα στο δοθέν πεδίο απόδοσης.

β) Μη χρησιμοποιείτε ηλεκτρικά εργαλεία, των οποίων ο διακόπτης είναι ελαττωματικός. Ένα ηλεκτρικό εργαλείο, το οποίο δεν μπορεί πλέον να ενεργοποιηθεί ή απενεργοποιηθεί, είναι επικίνδυνο και πρέπει να επισκευαστεί.

γ) Τραβάτε το βύσμα από την πρίζα και/ή απομακρύνετε το συσσωρευτή πριν διεξάγετε ρυθμίσεις στη συσκευή, πριν αλλάξετε εξαρτήματα ή πριν φυλάξετε τη συσκευή. Αυτό το μέτρο ασφαλείας εμποδίζει τη μη ηθελημένη εκκίνηση του ηλεκτρικού εργαλείου.

δ) Φυλάτε τα μη χρησιμοποιούμενα ηλεκτρικά εργαλεία εκτός εμβέλειας των παιδιών. Μην επιτρέπετε να χρησιμοποιούν τη συσκευή άτομα, τα οποία δεν έχουν εξοικειωθεί μαζί της ή δεν έχουν διαβάσει αυτές τις οδηγίες. Τα ηλεκτρικά εργαλεία είναι επικίνδυνα όταν χρησιμοποιούνται από άπειρα άτομα.

ε) Φροντίζετε τα ηλεκτρικά εργαλεία με προσοχή. Ελέγχετε εάν τα κινούμενα τμήματα λειτουργούν σωστά και δεν κολλάνε, εάν κάποια μέρη έχουν σπάσει ή παρουσιάζουν τέτοια βλάβη, ώστε να επηρεάζεται η λειτουργία του ηλεκτρικού εργαλείου. Τα εξαρτήματα με βλάβη πρέπει να επισκευάζονται πριν από τη χρήση της συσκευής. Η αιτία πολλών ατυχημάτων οφείλεται στην κακή συντήρηση των ηλεκτρικών εργαλείων.

- στ) Διατηρείτε τα εργαλεία κοπής αιχμηρά και καθαρά. Τα προσεκτικά φροντισμένα εργαλεία κοπής με αιχμηρές ακμές κοπής κολλάνε λιγότερο και είναι ευκολότερα στο χειρισμό.
- ζ) Χρησιμοποιείτε το ηλεκτρικό εργαλείο, τα εξαρτήματα, τα εργαλεία χρήσης, κλπ., σύμφωνα με αυτές τις οδηγίες. Λαμβάνετε υπόψη τις συνθήκες εργασίας και την προς διεξαγωγή ενέργεια. Η χρήση ηλεκτρικών εργαλείων για διαφορετικές από τις προβλεπόμενες χρήσεις μπορεί να οδηγήσει σε επικίνδυνες καταστάσεις.

## 5. Σέρβις

- α) Το ηλεκτρικό σας εργαλείο πρέπει να επισκευάζεται μόνο από εξειδικευμένο ειδικό προσωπικό και μόνο με γνήσια ανταλλακτικά. Έτσι διατηρείται η ασφάλεια του ηλεκτρικού εργαλείου.
- β) Η αλλαγή του βύσματος ή του καλωδίου σύνδεσης πρέπει να διεξάγεται πάντα από τον κατασκευαστή του ηλεκτρικού εργαλείου ή από το τμήμα εξυπηρέτησης πελατών. Έτσι διατηρείται η ασφάλεια του ηλεκτρικού εργαλείου.

## Υποδείξεις ασφαλείας για όλες τις χρήσεις

Κοινές υποδείξεις ασφαλείας για λείανση και αποκοπή με λείανση:

- α) Αυτό το ηλεκτρικό εργαλείο προορίζεται ως διάταξη λείανσης και μηχανή κοπής με λειαντικούς δίσκους τριβής. Λάβετε υπόψη σας όλες τις υποδείξεις ασφαλείας, τις οδηγίες, τις απεικονίσεις και τα δεδομένα, τα οποία λαμβάνετε μαζί με τη συσκευή. Σε περίπτωση μη τήρησης των παρακάτω οδηγιών, ίσως έρθετε αντιμέτωποι με ηλεκτροπληξία, φωτιά και/ή σοβαρούς τραυματισμούς.
- β) Αυτό το ηλεκτρικό εργαλείο δεν ενδείκνυται για λείανση με γυαλόχαρτο, εργασίες με συρματόβουρτσες και στίλβωση. Χρήσεις, για τις οποίες δεν προβλέπεται το ηλεκτρικό εργαλείο, μπορεί να προκαλέσουν κινδύνους και τραυματισμούς.
- γ) Απαγορεύεται η χρήση εξαρτημάτων, τα οποία δεν προβλέπονται εκ μέρους του κατασκευαστή ειδικά για αυτό το ηλεκτρικό εργαλείο.

Το γεγονός ότι το εξάρτημα μπορεί να στερεωθεί σε ηλεκτρικό εργαλείο, δεν μπορεί να διασφαλίσει την ασφαλή χρήση.

- δ) Ο επιτρεπόμενος αριθμός στροφών του εργαλείου εφαρμογής πρέπει να είναι τουλάχιστον ίσος με αυτόν που αναφέρεται στο ηλεκτρικό εργαλείο ως μέγιστος αριθμός στροφών. Τα εξαρτήματα, τα οποία περιστρέφονται πιο γρήγορα από ότι επιτρέπεται, ίσως σπάσουν και εκτιναχθούν.
- ε) Η εξωτερική διάμετρος και το πάχος του εργαλείου εφαρμογής πρέπει να ανταποκρίνονται στα στοιχεία διαστάσεων του ηλεκτρικού εργαλείου σας. Τα εργαλεία εφαρμογής με λάθος διαστάσεις δεν μπορούν να θωρακιστούν ή να ελεγχθούν επαρκώς.
- στ) Εργαλεία εφαρμογής με ένθεμα σπειρώματος πρέπει να ταιριάζουν επακριβώς στο σπείρωμα της ατράκτου λείανσης. Σε εργαλεία εφαρμογής, τα οποία τοποθετούνται με φλάντζα, η διάμετρος οπής του εργαλείου εφαρμογής πρέπει να ταιριάζει στη διάμετρο υποδοχής της φλάντζας. Τα εργαλεία εφαρμογής, τα οποία δεν εφαρμόζονται με ακρίβεια στην άτρακτο λείανσης, περιστρέφονται ανομοιόμορφα, δονούνται πολύ και ίσως οδηγήσουν σε απώλεια ελέγχου.
- η) Απαγορεύεται η χρήση ελαττωματικών εργαλείων εφαρμογής. Πριν από κάθε χρήση, ελέγχετε τα εργαλεία εφαρμογής, όπως τους λειαντικούς τροχούς, για σπασίματα και ρωγμές, τους δίσκους λείανσης για ρωγμές, βλάβες ή σημάδια μεγάλης φθοράς, τις συρματόβουρτσες για χαλαρά ή σπασμένα σύρματα. Σε περίπτωση πτώσης του ηλεκτρικού εργαλείου ή του εργαλείου εφαρμογής, ελέγξτε αν έχει καταστραφεί ή χρησιμοποιήσει ένα άθικτο εργαλείο εφαρμογής. Εφόσον ελέγξετε και τοποθετήσετε το εργαλείο εφαρμογής, κρατηθείτε τόσο εσείς όσο και τα πλησίον ευρισκόμενα άτομα εκτός της περιοχής του περιστρεφόμενου εργαλείου εφαρμογής και αφήστε τη συσκευή να λειτουργήσει για ένα λεπτό στο μέγιστο αριθμό στροφών. Τα κατεστραμμένα εργαλεία εφαρμογής σπάνε συνήθως κατά το δοκιμαστικό χρόνο.

- θ) Φοράτε ατομικό προστατευτικό εξοπλισμό. Φοράτε, αναλόγως της χρήσης, προστασία ολόκληρου του προσώπου, προστασία για τα μάτια ή προστατευτικά γυαλιά. Εφόσον πρέπει, φοράτε μάσκα προστασίας από τη σκόνη, ωτοασπίδες, προστατευτικά γάντια ή ειδική ποδιά, η οποία κρατάει μακριά τα μικρά τεμάχια λείανσης και υλικού. Τα μάτια πρέπει να προστατεύονται από τα ξένα σωματίδια που εκτινάσσονται και τα οποία δημιουργούνται από διάφορες εφαρμογές. Οι μάσκες προστασίας από τη σκόνη ή οι αναπνευστικές μάσκες πρέπει να φιλτράρουν τη σκόνη που δημιουργείται κατά την εφαρμογή. Σε περίπτωση έκθεσης επί μακρόν σε δυνατό θόρυβο, ίσως υποστείτε βλάβη στην ακοή σας.
- ι) Φροντίστε ώστε τα άλλα άτομα να βρίσκονται σε απόσταση ασφαλείας από την περιοχή εργασίας σας. Όλα τα άτομα, τα οποία εισέρχονται μέσα στην περιοχή εργασίας, πρέπει να φοράνε ατομικό προστατευτικό εξοπλισμό. Τα θραύσματα των τεμαχίων επεξεργασίας ή τα σπασμένα εργαλεία εφαρμογής ίσως εκτιναχθούν και προκαλέσουν τραυματισμούς εκτός της άμεσης περιοχής εργασίας.
- ια) Κρατάτε το ηλεκτρικό εργαλείο μόνο από τις μονωμένες επιφάνειες λαβής κατά την πραγματοποίηση εργασιών, κατά τις οποίες το εργαλείο εφαρμογής μπορεί να συναντήσει κρυφούς αγωγούς ρεύματος ή το ίδιο του το καλώδιο. Η επαφή με έναν ρευματοφόρο αγωγό θέτει υπό τάση ακόμη και μεταλλικά τμήματα της συσκευής, προκαλώντας ηλεκτροπληξία.
- ιβ) Κρατήστε το καλώδιο δικτύου μακριά από περιστρεφόμενα εργαλεία εφαρμογής. Σε περίπτωση απώλειας ελέγχου της συσκευής, υπάρχει πιθανότητα κοψίματος ή πιασίματος του καλωδίου δικτύου και εισχώρησης της παλάμης ή του χεριού σας μέσα στο περιστρεφόμενο εργαλείο εφαρμογής.
- ιγ) Απαγορεύεται αυστηρά η απόθεση του ηλεκτρικού εργαλείου, προτού το εργαλείο εφαρμογής έρθει σε κατάσταση πλήρους ακινησίας. Το περιστρεφόμενο εργαλείο εφαρμογής ίσως έρθει σε επαφή με την επιφάνεια απόθεσης, γεγονός που ίσως οδηγήσει σε απώλεια ελέγχου του ηλεκτρικού εργαλείου.

- ιδ) Μην αφήνετε το ηλεκτρικό εργαλείο να λειτουργεί, ενώ το κρατάτε. Τα ρούχα σας μπορεί να πιαστούν λόγω τυχαίας επαφής στο περιστρεφόμενο εργαλείο εφαρμογής και το εργαλείο εφαρμογής ίσως κόψει το σώμα σας.
- ιε) Καθαρίζετε τακτικά τις οπές αερισμού του ηλεκτρικού σας εργαλείου. Ο φυσητήρας κινητήρα τραβάει τη σκόνη μέσα στο περίβλημα και η μεγάλη συγκέντρωση μεταλλικής σκόνης ίσως προκαλέσει ηλεκτρικό κίνδυνο.
- ιστ) Μην χρησιμοποιείτε το ηλεκτρικό εργαλείο κοντά σε εύφλεκτα υλικά. Οι σπινθήρες μπορεί να αναφλέξουν αυτά τα υλικά.
- ιζ) Μην χρησιμοποιείτε εργαλεία εφαρμογής, τα οποία απαιτούν υγρά ψυκτικά μέσα. Η χρήση νερού ή άλλων υγρών ψυκτικών μέσων μπορεί να οδηγήσει σε ηλεκτροπληξία.

### **Αντεπιστροφή και αντιστοιχες υποδείξεις ασφαλείας**

Αντεπιστροφή είναι η ξαφνική αντίδραση λόγω ενός μαγκωμένου ή μπλοκαρισμένου περιστρεφόμενου εργαλείου εφαρμογής, όπως είναι ο λειαντικός τροχός, ο δίσκος λείανσης, η σφυρατόβουρτσα, κλπ. Μάγκωμα ή μπλοκάρισμα οδηγούν σε απότομο σταμάτημα του περιστρεφόμενου εργαλείου εφαρμογής. Έτσι το μη ελεγχόμενο ηλεκτρικό εργαλείο επιταχύνεται προς την κατεύθυνση περιστροφής του εργαλείου εφαρμογής στη θέση μπλοκαρίσματος. Όταν π.χ. ένας δίσκος λείανσης μαγκώσει ή μπλοκάρει στο τεμάχιο επεξεργασίας, η ακμή του δίσκου λείανσης που βυθίζεται στο τεμάχιο επεξεργασίας μπορεί να πιαστεί και έτσι να σπάσει ο δίσκος λείανσης ή να προκαλέσει αντεπιστροφή. Ο δίσκος λείανσης κινείται στη συνέχεια προς το χειριστή ή μακριά από αυτόν, ανάλογα με την κατεύθυνση περιστροφής του δίσκου στο σημείο μπλοκαρίσματος. Οι δίσκοι λείανσης μπορεί τότε να σπάσουν. Η αντεπιστροφή είναι το επακόλουθο λάθους ή ελλιπούς χρήσης του ηλεκτρικού εργαλείου. Μπορεί να εμποδιστεί μέσω κατάλληλων προληπτικών μέτρων, όπως περιγράφεται κατωτέρω.

- α) Κρατάτε το ηλεκτρικό εργαλείο σφιχτά και τοποθετείτε το σώμα και τους βραχίονες σας σε μια θέση, στην οποία θα μπορείτε να δέχεστε τις δυνάμεις αντεπιστροφής. Χρησιμοποιείτε πάντα την πρόσθετη λαβή, εφόσον διατίθεται, ώστε να έχετε το μεγαλύτερο δυνατό έλεγχο των δυνάμεων αντεπιστροφής ή ροπών αντίδρασης κατά την εκκίνηση. Ο χειριστής μπορεί να ελέγχει τις δυνάμεις αντεπιστροφής και αντίδρασης με κατάλληλα προληπτικά μέτρα.
- β) Ποτέ μη φέρνετε τα χέρια σας κοντά σε περιστρεφόμενα εργαλεία εφαρμογής. Το εργαλείο εφαρμογής μπορεί να μετακινηθεί πάνω από το χέρι σας σε περίπτωση αντεπιστροφής.
- γ) Αποφεύγετε με το σώμα σας τον τομέα, στον οποίο κινείται το ηλεκτρικό εργαλείο σε μια αντεπιστροφή. Η αντεπιστροφή οδηγεί το ηλεκτρικό εργαλείο αντίθετα από την κατεύθυνση κίνησης του δίσκου λείανσης στη θέση μπλοκαρίσματος.
- δ) Να εργάζεστε ιδιαίτερα προσεκτικά κοντά σε γωνίες, αιχμηρές ακμές, κλπ. Εμποδίζεται αναπήδηση και μάγκωμα των εργαλείων εφαρμογής από το τεμάχιο επεξεργασίας. Το περιστρεφόμενο εργαλείο εφαρμογής τείνει να μαγκώνει σε γωνίες, αιχμηρές ακμές ή όταν αναπηδάει. Αυτό προκαλεί απώλεια του ελέγχου ή αντεπιστροφή.
- ε) Μη χρησιμοποιείτε αλυσίδες ή λεπίδες πρινιού με οδοντώσεις. Αυτά τα εργαλεία προκαλούν συχνά αντεπιστροφή ή απώλεια του ελέγχου του ηλεκτρικού εργαλείου.

### Ειδικές υποδείξεις ασφαλείας για λείανση και αποκοπή με λείανση

- α) Χρησιμοποιείτε αποκλειστικά τα εγκεκριμένα λειαντικά σώματα για το ηλεκτρικό σας εργαλείο και το αντίστοιχο προβλεπόμενο προστατευτικό κάλυμμα. Λειαντικά σώματα, τα οποία δεν προβλέπονται για το ηλεκτρικό εργαλείο, δεν μπορούν να θωρακιστούν επαρκώς και δεν είναι ασφαλή.
- β) Κεκαμμένοι δίσκοι λείανσης πρέπει να τοποθετούνται κατά τέτοιο τρόπο, ώστε η επιφάνεια λείανσης να μην προεξέχει πάνω από τον τομέα του άκρου προστατευτικού καλύμματος. Ένας ακατάλληλα τοποθετημένος δίσκος λείανσης που προεξέχει πάνω από τον τομέα του άκρου προστατευτικού καλύμματος δεν μπορεί να θωρακιστεί επαρκώς.
- γ) Το προστατευτικό κάλυμμα πρέπει να τοποθετείται με ασφάλεια στο ηλεκτρικό εργαλείο και να ρυθμίζεται για μέγιστη ασφάλεια κατά τέτοιο τρόπο, ώστε το μικρότερο δυνατό τμήμα του λειαντικού σώματος να δείχνει ανοιχτά προς το χειριστή. Το προστατευτικό κάλυμμα πρέπει να προστατεύει το χειριστή από τεμάχια που σπάνε και από τυχαία επαφή με το λειαντικό σώμα.
- δ) Τα λειαντικά σώματα επιτρέπεται να χρησιμοποιούνται μόνο για τις προτεινόμενες δυνατότητες χρήσης.  
Για παράδειγμα: Ποτέ μη λειανείτε με την πλάγια επιφάνεια ενός δίσκου κοπής. Οι δίσκοι κοπής προορίζονται για την αφαίρεση υλικού με την άκρη του δίσκου. Η πλευρική επίδραση δύναμης σε αυτά τα λειαντικά σώματα μπορεί να τα σπάσει.
- ε) Χρησιμοποιείτε πάντα μη φθαρμένες φλάντζες σύσφιξης στο σωστό μέγεθος και σχήμα για τον επιλεγμένο από εσάς δίσκο λείανσης. Οι κατάλληλες φλάντζες υποστηρίζουν το δίσκο λείανσης και μειώνουν έτσι τον κίνδυνο σπασίματός του. Οι φλάντζες για δίσκους κοπής μπορεί να διαφοροποιούνται από τις φλάντζες για άλλους δίσκους λείανσης.
- στ) Μη χρησιμοποιείτε φθαρμένους δίσκους λείανσης από μεγαλύτερα ηλεκτρικά εργαλεία. Οι δίσκοι λείανσης για μεγαλύτερα ηλεκτρικά εργαλεία δεν έχουν κατασκευαστεί για υψηλότερους αριθμούς στροφών μικρότερων ηλεκτρικών εργαλείων και μπορεί να σπάσουν.

## **Περισσότερες ειδικές υποδείξεις ασφαλείας για αποκοπή με λείανση**

- α) Αποφεύγετε μπλοκάρισμα του δίσκου κοπής ή πολύ υψηλή πίεση συμπίεσης. Μη διεξάγετε υπερβολικά βαθιές κοπές. Μια υπερφόρτωση του δίσκου κοπής αυξάνει την επιβάρυνσή του και την τάση συστροφής ή μπλοκαρίσματος και συνεπώς την πιθανότητα αντεπιστροφής ή σπασίματος του λειαντικού σώματος.
- β) Αποφεύγετε την περιοχή μπροστά και πίσω από τον περιστρεφόμενο δίσκο κοπής. Όταν μετακινείτε το δίσκο κοπής στο τεμάχιο επεξεργασίας μακριά από εσάς, το ηλεκτρικό εργαλείο με τον περιστρεφόμενο δίσκο μπορεί να εκτοξευθεί απευθείας επάνω σας σε περίπτωση αντεπιστροφής.
- γ) Σε περίπτωση που ο δίσκος κοπής μαγκώσει ή διακόψετε την εργασία, απενεργοποιήστε τη συσκευή και κρατήστε την ήρεμα, έως ότου ο δίσκος ακινητοποιηθεί. Ποτέ μην προσπαθείτε να τραβήξετε τον κινούμενο δίσκο κοπής από την κοπή, αλλιώς μπορεί να προκληθεί αντεπιστροφή. Εξακριβώστε και διορθώστε την αιτία του μαγκώματος.
- δ) Μην ενεργοποιήσετε πάλι το ηλεκτρικό εργαλείο, όσο αυτό βρίσκεται στο τεμάχιο επεξεργασίας. Αφήστε πρώτα το δίσκο κοπής να φτάσει στις πλήρεις στροφές του, προτού συνεχίσετε προσεκτικά την κοπή. Αλλιώς, ο δίσκος μπορεί να μαγκώσει, να αναπηδήσει από το τεμάχιο επεξεργασίας ή να προκαλέσει αντεπιστροφή.
- δ) Στηρίζετε πλάκες ή μεγάλα τεμάχια επεξεργασίας, ώστε να εμποδίζετε κίνδυνο αντεπιστροφής μέσω ενός μαγκωμένου δίσκου κοπής. Τα μεγάλα τεμάχια επεξεργασίας μπορούν να λυγίσουν από το ίδιο τους το βάρος. Το τεμάχιο επεξεργασίας πρέπει να στηρίζεται και στις δύο πλευρές του δίσκου και μάλιστα τόσο κοντά στο δίσκο κοπής όσο και στην άκρη.
- ε) Δείτε ιδιαίτερη προσοχή κατά τις «κοπές εμβύθισης» σε ήδη υπάρχοντα τοιχία ή άλλα μη εμφανή μέρη. Μπορεί να προκληθεί αντεπιστροφή του βυθιζόμενου δίσκου κοπής κατά την κοπή αγωγών αερίου ή νερού, ηλεκτρικών αγωγών ή άλλων αντικειμένων.



## Επιτρεπόμενα αξεσουάρ

	Μέγ. διάμετρος Ø (mm)	Μέγ. πάχος (mm)	Διάσταση σπειρώματος (mm)	Αριθμός στροφών (min <sup>-1</sup> )	Αριθμός στροφών (m/s)	Εργαλείο	Προστατευτικό κάλυμμα
Δίσκοι κοπής	230	3	M14	6500	80	Κλειδί δύο οπών	Ναι
Δίσκοι τριανταρίσματος	230	6	M14	6500	80	Κλειδί δύο οπών	Ναι

## Φύλαξη και χειρισμός των προτεινόμενων εργαλείων εφαρμογής

- Ο χειρισμός και η μεταφορά των εργαλείων λείανσης πρέπει να διεξάγονται με προσοχή.
- Τα εργαλεία λείανσης πρέπει να αποθηκεύονται κατά τέτοιο τρόπο ώστε να μην εκτίθενται σε μηχανικές φθορές ή επιδράσεις του περιβάλλοντος (π.χ. υγρασία).

## Υποδείξεις εργασίας

### ΥΠΟΔΕΙΞΗ

- Τα λειαντικά σώματα επιτρέπεται να χρησιμοποιούνται μόνο για τις προτεινόμενες δυνατότητες χρήσης. Αλλιώς μπορεί να σπάσουν, να φθαρούν και να προκαλέσουν τραυματισμούς.

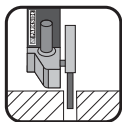
#### Λείανση τορναρίσματος:



Απαγορεύεται αυστηρά η χρήση δίσκων κοπής για το τορναρίσμα!

- Μετακινήστε το γωνιακό τροχό πάνω – κάτω στο τεμάχιο επεξεργασίας με μέτρια πίεση.
- Σε μαλακό υλικό περάστε το δίσκο τορναρίσματος πάνω από το τεμάχιο επεξεργασίας υπό μικρή γωνία, σε σκληρό υλικό σε πιο μεγάλη γωνία.

#### Αποκοπή με λείανση:



Απαγορεύεται αυστηρά η χρήση δίσκων τορναρίσματος για την κοπή!

- Χρησιμοποιείτε μόνο ελεγμένους δίσκους κοπής ή λείανσης με ενισχυμένες ίνες, οι οποίοι επιτρέπονται για ταχύτητα επιφάνειας όχι λιγότερη από 80 m/s.

### ⚠ ΠΡΟΣΟΧΗ!

Το εργαλείο λείανσης συνεχίζει να κινείται μετά την απενεργοποίηση. Μην το φρενάρετε μέσω πλευρικής αντιπίεσης.

- Ασφαλιζετε το τεμάχιο επεξεργασίας. Για να σταθεροποιείτε το τεμάχιο επεξεργασίας χρησιμοποιείτε διατάξεις σύσφιξης/μέγγενη. Έτσι συγκρατείται με μεγαλύτερη ασφάλεια από ότι με το χέρι.
- Απενεργοποιείτε πάντα τη συσκευή πριν την αποθέσετε και περιμένετε, έως ότου ακινητοποιηθεί πλήρως.

- Σε περίπτωση διακοπής ρεύματος ή εάν τραβηχτεί το βύσμα δικτύου, απασφαλίστε αμέσως το διακόπτη ON/OFF. Ρυθμίστε τον στη θέση OFF. Έτσι εμποδίζεται μη ελεγχόμενη επανεκκίνηση.
- Χρησιμοποιείτε τη συσκευή μόνο για στεγνή κοπή ή στεγνή λείανση.
- Η πρόσθετη χειρολαβή **6** πρέπει να είναι τοποθετημένη σε όλες τις εργασίες με τη συσκευή.
- Δεν επιτρέπεται να γίνεται επεξεργασία υλικών, τα οποία περιέχουν αμιάντο. Ο αμιάντος θεωρείται καρκινογόνος.



Υπόδειξη! Έτσι συμπεριφέρεστε σωστά.

### ⚠ ΚΙΝΔΥΝΟΣ! ΟΔΗΓΕΙΤΕ ΠΑΝΤΑ ΤΗ ΣΥΣΚΕΥΗ ΚΑΤΑ ΜΗΚΟΣ ΤΟΥ ΤΕΜΑΧΙΟΥ ΕΠΕΞΕΡΓΑΣΙΑΣ ΜΟΝΟ ΣΕ ΠΑΡΑΛΛΗΛΗ ΦΟΡΑ.

- Κατά την αντίθετη φορά υφίσταται κίνδυνος αντεπιστροφής. Η συσκευή ίσως πιεστεί έξω από την κοπή.
- Οδηγείτε πάντα τη συσκευή προς το τεμάχιο επεξεργασίας μόνο όταν αυτή είναι ενεργοποιημένη. Μετά την επεξεργασία σηκώστε πρώτα τη συσκευή από το τεμάχιο επεξεργασίας και μετά απενεργοποιήστε τη.
- Κατά την εργασία κρατάτε πάντα τη συσκευή σφιχτά με τα δύο χέρια. Φροντίζετε για μια ασφαλή θέση.
- Για καλύτερη απόδοση λείανσης, μετακινείτε τη συσκευή ομοιόμορφα πέρα - δώθε σε μια γωνία 15° έως 30° (μεταξύ δίσκου λείανσης και τεμαχίου επεξεργασίας) επάνω στο τεμάχιο επεξεργασίας.

- Κατά την επεξεργασία λοζών επιφανειών, η συσκευή δεν επιτρέπεται να πιέζεται με μεγάλη δύναμη επάνω στο τεμάχιο επεξεργασίας. Εάν μειωθεί πολύ ο αριθμός στροφών, πρέπει να μειώσετε τη δύναμη πίεσης, ώστε να διευκολύνετε μια ασφαλή και αποτελεσματική εργασία. Σε περίπτωση που ξαφνικά η συσκευή φρενάρει εντελώς ή μπλοκάρει, θα πρέπει να απενεργοποιήσετε άμεσα το ρεύμα δικτύου.
- Κοπή: Εργάζεστε με μέτρια πρόωση και μη γωνιάζετε το δίσκο κοπής.
- Οι δίσκοι τριανταρισματος και κοπής υπερθερμαίνονται κατά τις εργασίες – αφήστε τους να κρυώσουν εντελώς προτού τους αγγίξετε.
- Ποτέ μη χρησιμοποιείτε τη συσκευή για άλλο σκοπό.
- Προσέχετε πάντα ώστε η συσκευή να είναι απενεργοποιημένη προτού εισάγετε το βύσμα στην πρίζα.
- Σε περίπτωση κινδύνου τραβήξτε αμέσως το βύσμα από την πρίζα. Φροντίζετε ώστε η συσκευή και το βύσμα δικτύου να είναι εύκολα προσβάσιμα και σε περίπτωση κινδύνου να μπορείτε να τα φτάσετε χωρίς πρόβλημα.
- Σε παύσεις εργασίας, πριν από όλες τις εργασίες στη συσκευή και σε περίπτωση μη χρήσης, τραβάτε πάντα το βύσμα από την πρίζα. Η συσκευή πρέπει να είναι πάντα καθαρή, στεγνή και ελεύθερη από λάδια ή λίπος.
- Να είστε πάντα προσεκτικοί! Προσέχετε πάντα τι κάνετε και να εργάζεστε πάντα με λογική. Σε καμία περίπτωση μη χρησιμοποιείτε τη συσκευή όταν δεν είστε συγκεντρωμένοι ή δεν αισθάνεστε καλά.



Φοράτε γυαλιά προστασίας!



Φοράτε μάσκα προστασίας από τη σκόνη!

## Χειρισμός

### Συναρμολόγηση του προστατευτικού καλύμματος με ταχυσύνδεσμο

#### **⚠️ ΠΡΟΕΙΔΟΠΟΙΗΣΗ! ΚΙΝΔΥΝΟΣ ΤΡΑΥΜΑΤΙΣΜΟΥ**

- ▶ Πριν από όλες τις εργασίες στη συσκευή, τραβάτε το βύσμα από την πρίζα.

#### **⚠️ ΚΙΝΔΥΝΟΣ ΤΡΑΥΜΑΤΙΣΜΟΥ**

- ▶ Χρησιμοποιείτε το γωνιακό τροχό πάντα μαζί με το προστατευτικό κάλυμμα **7**. Το προστατευτικό κάλυμμα πρέπει να τοποθετείται με ασφάλεια στο γωνιακό τροχό. Τοποθετήστε το έτσι ώστε να επιτυγχάνεται μέγιστη ασφάλεια, δηλαδή το μικρότερο δυνατό τμήμα του λειαντικού σώματος να δείχνει ανοιχτά προς το χειριστή. Το προστατευτικό κάλυμμα **7** πρέπει να προστατεύει το χειριστή από τεμάχια που σπάνε και τυχαία επαφή με το λειαντικό σώμα.

#### **⚠️ ΚΙΝΔΥΝΟΣ ΤΡΑΥΜΑΤΙΣΜΟΥ**

- ▶ Προσέξτε ώστε το προστατευτικό κάλυμμα **7** να συναρμολογείται τουλάχιστον στην ίδια γωνία όπως η πρόσθετη χειρολαβή **6** (βλ. Εικ. Β). Αλλιώς μπορεί να τραυματιστείτε στο δίσκο τριανταρισματος ή κοπής.

- ◆ Ανοίξτε το μοχλό τάνυσης **8**.
- ◆ Τοποθετήστε το προστατευτικό κάλυμμα **7** με την προεξοχή κωδικοποίησης **9** στη σφηνάουλακα **16**.
- ◆ Περιστρέψτε το προστατευτικό κάλυμμα **7** στην απαιτούμενη θέση (θέση εργασίας). Η κλειστή πλευρά του προστατευτικού καλύμματος **7** πρέπει να δείχνει πάντα προς το χειριστή.
- ◆ Κλείστε το μοχλό τάνυσης **8** για τη σύσφιξη του προστατευτικού καλύμματος **7**. Εάν απαιτείται, μπορεί να αλλάξει η δύναμη σύσφιξης του πάματος μέσω λασκαρίσματος ή σύσφιξης της βίδας ρύθμισης **10**. Βεβαιωθείτε ότι το προστατευτικό κάλυμμα **7** εδράζεται σταθερά στο στένωμα ατράκτου.

## Συναρμολόγηση της πρόσθετης χειρολαβής

### **⚠ ΠΡΟΣΟΧΗ!**

- Για λόγους ασφαλείας, η εν λόγω συσκευή επιτρέπεται να χρησιμοποιείται μόνο με την πρόσθετη χειρολαβή **6**. Σε αντίθετη περίπτωση μπορεί να υπάρξουν τραυματισμοί. Η πρόσθετη χειρολαβή **6** μπορεί να βιδωθεί ανάλογα με τον τρόπο εργασίας αριστερά, δεξιά ή επάνω στην κεφαλή της συσκευής.

## Συναρμολόγηση/Αλλαγή δίσκου торναρίσματος/κοπής



Κατά την αλλαγή των δίσκων κοπής/τορναρίσματος φοράτε πάντα προστατευτικά γάντια. Οι δίσκοι κοπής/τορναρίσματος αποκτούν πολύ υψηλή θερμοκρασία κατά την εργασία. Μην τους πιάνετε προτού κρυώσουν.

Προσέξτε τις διαστάσεις των δίσκων торναρίσματος ή κοπής. Η διάμετρος οπής πρέπει να ταιριάζει χωρίς τζόγο στη φλάντζα υποδοχής. Μη χρησιμοποιείτε τεμάχιο μείωσης ή ανάτπορα.

- **Ελέγξτε το δίσκο торναρίσματος ή κοπής. Δεν επιτρέπεται να προκαλούνται σε αυτούς ζημιές, ούτε να είναι υγροί ή με ρωγμές.** Αλλιώς, μπορεί να σπάσουν κατά τη χρήση και να προκαλέσουν τραυματισμούς.

### **ΥΠΟΔΕΙΞΗ**

- Χρησιμοποιείτε απαραίτητα μόνο δίσκους χωρίς ακαθαρσίες.
- Χρησιμοποιείτε μόνο εργαλεία λείανσης, των οποίων ο μέγιστος αριθμός στροφών είναι τουλάχιστον τόσο υψηλός όσο ο αριθμός στροφών εν κενώ της συσκευής.
- **ΚΙΝΔΥΝΟΣ ΤΡΑΥΜΑΤΙΣΜΟΥ!** Πιέστε το πλήκτρο ασφάλισης ατράκτου **11** μόνο σε ακινητοποιημένη άτρακτο υποδοχής **14**.
- ◆ Πιέστε το πλήκτρο ασφάλισης ατράκτου **11** για το μπλοκάρισμα του μηχανισμού οδήγησης.
- ◆ Λασκάρετε το περικόχλιο συγκράτησης **13** με τη βοήθεια του κλειδιού δύο οπών **17** (βλ. Εικ. D).

- ◆ Τοποθετήστε το δίσκο торναρίσματος ή κοπής με την πλευρά επιγραφής στη συσκευή στη φλάντζα υποδοχής **15**.
- ◆ Στη συνέχεια, τοποθετήστε πάλι το περικόχλιο συγκράτησης **13**, με την ανυψωμένη πλευρά προς τα επάνω, στην άτρακτο υποδοχής **14**.
- ◆ Πιέστε το πλήκτρο ασφάλισης ατράκτου **11** για το μπλοκάρισμα του μηχανισμού οδήγησης.
- ◆ Σφίξτε πάλι το περικόχλιο συγκράτησης **13** με το κλειδί δύο οπών **17**.

### **ΥΠΟΔΕΙΞΗ**

- Εάν ο δίσκος λειτουργεί άτακτα ή ταλαντεύεται μετά την αλλαγή, πρέπει να αντικατασταθεί ξανά αμέσως.
- ◆ Αφήστε τη συσκευή μετά από μια αλλαγή δίσκου να λειτουργήσει για λόγους ασφαλείας για 60 δευτερόλεπτα στον υψηλότερο αριθμό στροφών. Προσέχετε για ασυνήθιστους θορύβους και δημιουργία σπινθήρων.
- ◆ Ελέγχετε εάν έχουν τοποθετηθεί σωστά όλα τα τμήματα στερέωσης.
- ◆ Προσέξτε ώστε το βέλος κατεύθυνσης περιστροφής (εφόσον υπάρχει) στους δίσκους κοπής ή торναρίσματος (και διαμαντένιοι δίσκοι κοπής) και η κατεύθυνση περιστροφής της συσκευής (βέλος κατεύθυνσης περιστροφής στην κεφαλή της συσκευής) να συμφωνούν.

## Ενεργοποίηση και απενεργοποίηση

Ελέγχετε πριν από τη χρήση το τοποθετημένο εργαλείο. Πρέπει να έχει τοποθετηθεί σωστά, δεν επιτρέπεται να έχει φθορές ή να είναι υγρό ή να παρουσιάζει ρωγμές και πρέπει να περιστρέφεται ελεύθερα. Διεξάγετε μια δοκιμαστική λειτουργία 60 δευτερολέπτων. Μη χρησιμοποιείτε ασύμμετρα εργαλεία ή εργαλεία που δονούνται. Προσέχετε για ασυνήθιστους θορύβους και δημιουργία σπινθήρων. Ελέγχετε κατόπιν εάν έχουν τοποθετηθεί σωστά όλα τα τμήματα στερέωσης.

## ΥΠΟΔΕΙΞΗ

- ▶ Ενεργοποιείτε πάντα το γωνιακό τροχό πριν από την επαφή με το υλικό και μόνο μετά περνάτε τη συσκευή στο τεμάχιο επεξεργασίας.

### Ενεργοποίηση:

- ◆ Ενεργοποιήστε τη φραγή ενεργοποίησης **3** (βλ. Εικ. Ε).
- ◆ Κατόπιν πιέστε το διακόπτη ON/OFF **2**.

### Απενεργοποίηση:

- ◆ Αφήστε πάλι ελεύθερο το διακόπτη ON/OFF **2**.

## Περιστροφή λαβής συσκευής

- Η λαβή συσκευής **1** μπορεί να περιστραφεί κατά 90° προς τα δεξιά ή αριστερά (βλ. Εικ. Α).
- Έτσι, ο διακόπτης ON / OFF **2** μπορεί να τεθεί, ανάλογα με τις συνθήκες εργασίας, σε μια ευνοϊκότερη θέση.
- ◆ Πιέστε το πλήκτρο απασφάλισης **4** και γυρίστε τη λαβή συσκευής **1** προς τα δεξιά ή αριστερά.
- ◆ Η λαβή συσκευής **1** πρέπει να κουμπώσει.

## Συντήρηση και καθαρισμός



**ΠΡΟΕΙΔΟΠΟΙΗΣΗ! ΚΙΝΔΥΝΟΣ ΤΡΑΥΜΑΤΙΣΜΟΥ!** Πριν από όλες τις εργασίες απενεργοποιείτε τη συσκευή και τραβάτε το βύσμα από την πρίζα.

- Μην χρησιμοποιείτε αιχμηρά αντικείμενα για τον καθαρισμό της συσκευής. Δεν επιτρέπεται να εισχωρούν υγρά στο εσωτερικό της συσκευής. Σε διαφορετική περίπτωση, η συσκευή μπορεί να υποστεί φθορά.
- Η αντικατάσταση των ψηκτρών άνθρακα επιτρέπεται να διεξάγεται αποκλειστικά μέσω του τμήματος εξυπηρέτησης ή ενός αναγνωρισμένου ειδικού συνεργείου. Κατά τα άλλα, η συσκευή δεν απαιτεί συντήρηση.
- Καθαρίζετε τακτικά τη συσκευή, καλύτερα πάντα απευθείας μετά τον τερματισμό της εργασίας.

- Καθαρίζετε το περίβλημα με ένα στεγνό πανί. Σε καμία περίπτωση μη χρησιμοποιήσετε βενζίνη, διαλυτικά μέσα ή καθαριστικά, τα οποία προσβάλλουν το πλαστικό.
- Για το λεπτομερή καθαρισμό της συσκευής χρειάζεται μια ηλεκτρική αναρροφητική σκούπα.
- Τα ανοίγματα αερισμού πρέπει να είναι πάντα ελεύθερα.
- Απομακρύνετε τη σκόνη τροχίσματος που προσκολλάται με ένα πινέλο.

## ΥΠΟΔΕΙΞΗ

- ▶ Τα μη αναφερόμενα ανταλλακτικά (π.χ. ψηκτρες άνθρακα, διακόπτες) μπορείτε να τα παραγγείλετε μέσω της ανοιχτής τηλεφωνικής γραμμής του σέρβις.

## Απόρριψη



Η συσκευασία αποτελείται από φιλικά προς το περιβάλλον υλικά. Μπορεί να απορριφθεί στα τοπικά δοχεία ανακύκλωσης.



**Μην απορρίπτετε τα ηλεκτρικά εργαλεία στα οικιακά απορρίμματα!**

Σύμφωνα με την Ευρωπαϊκή Οδηγία 2012/19/EU, τα χρησιμοποιημένα ηλεκτρικά εργαλεία πρέπει να συλλέγονται χωριστά και να οδηγούνται σε μια φιλική για το περιβάλλον επαναχρησιμοποίηση.

Για τις δυνατότητες απόρριψης των αχρηστευμένων συσκευών ενημερώνεστε από τη διαχείριση της κοινότητας ή της πόλης σας.

## Εγγύηση

Η παρούσα συσκευή διαθέτει 3 χρόνια εγγύηση από την ημερομηνία αγοράς. Η συσκευή κατασκευάστηκε και ελέγχθηκε προσεκτικά πριν από την αποστολή. Παρακαλούμε φυλάξτε την απόδειξη ταμείου ως απόδειξη για την αγορά. Σε περίπτωση απαίτησης εγγύησης επικοινωνήστε τηλεφωνικά με το τμήμα σέρβις. Μόνο έτσι μπορεί να εξασφαλιστεί δωρεάν αποστολή του εμπορεύματός σας.

Η απόδοση εγγύησης ισχύει μόνο για σφάλματα υλικού ή κατασκευής, όχι όμως για ζημιές από τη μεταφορά, για εξαρτήματα φθοράς ή για βλάβες σε εύθραυστα εξαρτήματα, π.χ. διακόπτες ή συσσωρευτές. Το προϊόν προορίζεται μόνο για ιδιωτική και όχι για επαγγελματική χρήση. Σε περίπτωση κακής μεταχείρισης και ακατάλληλης χρήσης, χρήσης βίας και παρεμβάσεων, οι οποίες δεν διεξήχθησαν από το εξουσιοδοτημένο μας τμήμα σέρβις, η εγγύηση παύει να ισχύει. Τα νομικά σας δικαιώματα δεν περιορίζονται μέσω αυτής της εγγύησης. Ο χρόνος εγγύησης δεν παρατείνεται μέσω της παροχής εγγύησης. Αυτό ισχύει και για εξαρτήματα, τα οποία έχουν αντικατασταθεί και επισκευαστεί. Ενδεχόμενες ήδη υπάρχουσες ζημιές και ελλείψεις κατά την αγορά πρέπει να γνωστοποιηθούν αμέσως μετά το άνοιγμα της συσκευασίας, το αργότερο ωστόσο δύο ημέρες μετά την ημερομηνία αγοράς. Μετά τη λήξη του χρόνου εγγύησης, τυχόν εμφανιζόμενες επισκευές χρεώνονται.

## Σέρβις

**GR** Σέρβις Ελλάδα

Tel.: 801 5000 019 (0,03 EUR/Min.)

E-Mail: kompernass@lidl.gr

IAN 273273

**CY** Σέρβις Κύπρος

Tel.: 8009 4409

E-Mail: kompernass@lidl.com.cy

IAN 273273

Τηλεφωνικό κέντρο (Hotline): Δευτέρα έως Παρασκευή, 8:00 - 20:00 (CET)

## Εισαγωγείας

KOMPERNASS HANDELS GMBH  
BURGSTRASSE 21 • 44867 BOCHUM  
GERMANY  
www.kompernass.com

## Μετάφραση της Πρωτότυπης Δήλωση συμμόρφωσης

Εμείς, η KOMPERNASS HANDELS GMBH, Υπεύθυνος τεκμηρίωσης: Κύριος Semi Uguzlu, BURGSTR. 21, 44867 BOCHUM, GERMANIA, δηλώνουμε δια της παρούσης ότι το παρόν προϊόν συμφώνει με τα ακόλουθα πρότυπα, τα κανονιστικά έγγραφα και τις οδηγίες της ΕΚ:

Οδηγία περί μηχανών  
(2006/42/EC)

Ηλεκτρομαγνητική συμβατότητα  
(2004/108/EC)

Οδηγία RoHS (Σχετικά με τον περιορισμό χρήσης συγκεκριμένων επικίνδυνων ουσιών στον ηλεκτρικό και ηλεκτρονικό εξοπλισμό)  
(2011/65/EU)

Εφαρμοσμένα εναρμονισμένα πρότυπα:

EN 60745-1:2009/A11:2010

EN 60745-2-3:2011/A12:2014

EN 55014-1:2006/A2:2011

EN 55014-2:1997/A2:2008

EN 61000-3-2:2014

EN 61000-3-3:2013

Ονομασία τύπου του μηχανήματος:

Γωνιακός τροχός PWS 230 B2

Έτος κατασκευής: 10-2015

Αύξων αριθμός: IAN 273273

Bochum, 21/8/2015



Semi Uguzlu

- Διευθυντής ποιότητας -

Με την επιφύλαξη τεχνικών αλλαγών υπό την έννοια της συνεχούς ανάπτυξης.

# Inhaltsverzeichnis

<b>Einleitung</b> .....	<b>44</b>
Bestimmungsgemäßer Gebrauch .....	44
Ausstattung .....	44
Lieferumfang .....	44
Technische Daten .....	44
<b>Allgemeine Sicherheitshinweise für Elektrowerkzeuge</b> .....	<b>45</b>
1. Arbeitsplatz-Sicherheit .....	45
2. Elektrische Sicherheit .....	45
3. Sicherheit von Personen .....	46
4. Verwendung und Behandlung des Elektrowerkzeugs .....	46
5. Service .....	47
Sicherheitshinweise für alle Anwendungen .....	47
Rückschlag und entsprechende Sicherheitshinweise .....	48
Besondere Sicherheitshinweise zum Schleifen und Trennschleifen .....	48
Weitere besondere Sicherheitshinweise zum Trennschleifen .....	49
Zulässiges Zubehör .....	50
Aufbewahrung und Handhabung der empfohlenen Einsatzwerkzeuge .....	50
Arbeitshinweise .....	51
<b>Bedienung</b> .....	<b>52</b>
Schutzhaube mit Schnellverschluss montieren .....	52
Zusatz-Handgriff montieren .....	53
Schrupp- / Trennscheibe montieren / wechseln .....	53
Ein- und ausschalten .....	53
Gerätegriff drehen .....	54
<b>Wartung und Reinigung</b> .....	<b>54</b>
<b>Entsorgung</b> .....	<b>54</b>
<b>Garantie</b> .....	<b>54</b>
<b>Service</b> .....	<b>55</b>
<b>Importeur</b> .....	<b>55</b>
<b>Original-Konformitätserklärung</b> .....	<b>55</b>

## WINKELSCHLEIFER PWS 230 B2

### Einleitung



Wir beglückwünschen Sie zum Kauf Ihres neuen Gerätes. Sie haben sich damit für ein hochwertiges Produkt entschieden. Die

Bedienungsanleitung ist Teil dieses Produkts. Sie enthält wichtige Hinweise für Sicherheit, Gebrauch und Entsorgung. Machen Sie sich vor der Benutzung des Produkts mit allen Bedien- und Sicherheitshinweisen vertraut. Benutzen Sie das Produkt nur wie beschrieben und für die angegebenen Einsatzbereiche. Händigen Sie alle Unterlagen bei Weitergabe des Produkts an Dritte mit aus.

### Bestimmungsgemäßer Gebrauch

Das Gerät ist zum Trennen, Schruppen von Metallwerkstoffen ohne Verwendung von Wasser geeignet. Jede andere Verwendung oder Veränderung des Gerätes gilt als nicht bestimmungsgemäß und birgt erhebliche Unfallgefahren. Für aus bestimmungswidriger Verwendung entstandene Schäden übernehmen wir keine Haftung. Das Gerät ist nicht für den gewerblichen Einsatz bestimmt.

### Ausstattung

- 1 Gerätegriff (drehbar)
- 2 EIN-/AUS-Schalter
- 3 Einschaltsperr
- 4 Entriegelungstaste
- 5 Abdeckung Kohlebürsten
- 6 Zusatz-Handgriff
- 7 Schutzhaube
- 8 Spannhebel
- 9 Codiernase
- 10 Justierschraube
- 11 Spindel-Arretiertaste
- 12 Gewinde (3 x) für Zusatz-Handgriff
- 13 Spannmutter (siehe Abb. C)
- 14 Aufnahmespindel (siehe Abb. C)
- 15 Aufnahmeflansch (siehe Abb. C)
- 16 Codiernut (siehe Abb. C)
- 17 Zweilochschlüssel

### Lieferumfang

- 1 Winkelschleifer PWS 230 B2
- 1 Zusatz-Handgriff
- 1 Schutzhaube
- 1 Zweilochschlüssel
- 1 Betriebsanleitung

### Technische Daten

Nennspannung:	230 - 240 V ~ 50 Hz (Wechselstrom)
Nennaufnahme:	2000 W
Bemessungsdrehzahl:	n 6500 min <sup>-1</sup>
Scheibenmaß:	Ø 230 mm
Gewindemaß:	M14
Schutzklasse:	II/□

### Geräusch- und Vibrationsinformationen:

Messwert für Geräusch ermittelt entsprechend EN 60745. Der A-bewertete Geräuschpegel des Elektrowerkzeugs beträgt typischerweise:

### Geräuschemissionswert:

Schalldruckpegel:	$L_{PA} =$	91,4	dB (A)
Unsicherheit:	$K =$	3	dB (A)
Schallleistungspegel:	$L_{WA} =$	102,4	dB (A)
Unsicherheit:	$K =$	3	dB (A)



### Gehörschutz tragen!

### Schwingungsgesamtwert:

Oberflächenschleifen:	$a_{h,AG} =$	7,4	m/s <sup>2</sup>
Unsicherheit:	$K =$	1,5	m/s <sup>2</sup>



**⚠️ WARNUNG!**

- ▶ Der in diesen Anweisungen angegebene Schwingungspegel ist entsprechend einem in EN 60745 genormten Messverfahren gemessen worden und kann für den Gerätevergleich verwendet werden. Der angegebene Schwingungsemissionswert kann auch zu einer einleitenden Einschätzung der Aussetzung verwendet werden. Der Schwingungspegel wird sich entsprechend dem Einsatz des Elektrowerkzeugs verändern und kann in manchen Fällen über dem in diesen Anweisungen angegebenen Wert liegen. Die Schwingungsbelastung könnte unterschätzt werden, wenn das Elektrowerkzeug regelmäßig in solcher Weise verwendet wird.

**HINWEIS**

- ▶ Versuchen Sie, die Belastung durch Vibrationen so gering wie möglich zu halten. Beispielhafte Maßnahmen zur Verringerung der Vibrationsbelastung sind das Tragen von Handschuhen beim Gebrauch des Werkzeugs und die Begrenzung der Arbeitszeit. Dabei sind alle Anteile des Betriebszyklus sind zu berücksichtigen (beispielsweise Zeiten, in denen das Elektrowerkzeug abgeschaltet ist, und solche, in denen es zwar eingeschaltet ist, aber ohne Belastung läuft).



**Allgemeine Sicherheitshinweise für Elektrowerkzeuge**

**⚠️ WARNUNG!**

- ▶ Lesen Sie alle Sicherheitshinweise und Anweisungen. Versäumnisse bei der Einhaltung der Sicherheitshinweise und Anweisungen können elektrischen Schlag, Brand und/oder schwere Verletzungen verursachen.

**Bewahren Sie alle Sicherheitshinweise und Anweisungen für die Zukunft auf.**

Der in den Sicherheitshinweisen verwendete Begriff „Elektrowerkzeug“ bezieht sich auf netzbetriebene Elektrowerkzeuge (mit Netzkabel) und auf akkubetriebene Elektrowerkzeuge (ohne Netzkabel).

**1. Arbeitsplatz-Sicherheit**

- Halten Sie Ihren Arbeitsbereich sauber und gut beleuchtet. Unordnung und unbeleuchtete Arbeitsbereiche können zu Unfällen führen.
- Arbeiten Sie mit dem Elektrowerkzeug nicht in explosionsgefährdeter Umgebung, in der sich brennbare Flüssigkeiten, Gase oder Stäube befinden. Elektrowerkzeuge erzeugen Funken, die den Staub oder die Dämpfe entzünden können.
- Halten Sie Kinder und andere Personen während der Benutzung des Elektrowerkzeugs fern. Bei Ablenkung können Sie die Kontrolle über das Gerät verlieren.

**2. Elektrische Sicherheit**

- Der Anschlussstecker des Elektrowerkzeugs muss in die Steckdose passen. Der Stecker darf in keiner Weise verändert werden. Verwenden Sie keine Adapterstecker gemeinsam mit schutzgeerdeten Elektrowerkzeugen. Unveränderte Stecker und passende Steckdosen verringern das Risiko eines elektrischen Schlages.
- Vermeiden Sie Körperkontakt mit geerdeten Oberflächen, wie von Rohren, Heizungen, Herden und Kühlschränken. Es besteht ein erhöhtes Risiko durch elektrischen Schlag, wenn Ihr Körper geerdet ist.
- Halten Sie Elektrowerkzeuge von Regen oder Nässe fern. Das Eindringen von Wasser in ein Elektrogerät erhöht das Risiko eines elektrischen Schlages.
- Zweckentfremden Sie das Kabel nicht, um das Elektrowerkzeug zu tragen, aufzuhängen oder um den Stecker aus der Steckdose zu ziehen. Halten Sie das Kabel fern von Hitze, Öl, scharfen Kanten oder sich bewegenden Geräteteilen. Beschädigte oder verwickelte Kabel erhöhen das Risiko eines elektrischen Schlages.
- Wenn Sie mit einem Elektrowerkzeug im Freien arbeiten, verwenden Sie nur Verlängerungskabel, die auch für den Außenbereich zugelassen sind. Die Anwendung eines für den Außenbereich geeigneten Verlängerungskabels verringert das Risiko eines elektrischen Schlages.

DE  
AT  
CH

- f) Wenn der Betrieb des Elektrowerkzeuges in feuchter Umgebung nicht vermeidbar ist, verwenden Sie einen Fehlerstromschutzschalter. Der Einsatz eines Fehlerstromschutzschalters vermindert das Risiko eines elektrischen Schlages.

### **3. Sicherheit von Personen**

- a) Seien Sie stets aufmerksam, achten Sie darauf, was Sie tun und gehen Sie mit Vernunft in die Arbeit mit einem Elektrowerkzeug. Benutzen Sie kein Elektrowerkzeug, wenn Sie müde sind oder unter dem Einfluss von Drogen, Alkohol oder Medikamenten stehen. Ein Moment der Unachtsamkeit beim Gebrauch des Elektrowerkzeuges kann zu ernsthaften Verletzungen führen.
- b) Tragen Sie persönliche Schutzausrüstung und immer eine Schutzbrille. Das Tragen persönlicher Schutzausrüstung wie Staubmaske, rutschfeste Sicherheitsschuhe, Schutzhelm oder Gehörschutz, je nach Art und Einsatz des Elektrowerkzeuges, verringert das Risiko von Verletzungen.
- c) Vermeiden Sie eine unbeabsichtigte Inbetriebnahme. Vergewissern Sie sich, dass das Elektrowerkzeug ausgeschaltet ist, bevor Sie es an die Stromversorgung und/oder den Akku anschließen, es aufnehmen oder tragen. Wenn Sie beim Tragen des Elektrowerkzeuges den Finger am Schalter haben oder das Gerät bereits eingeschaltet an die Stromversorgung anschließen, kann dies zu Unfällen führen.
- d) Entfernen Sie Einstellwerkzeuge oder Schraubenschlüssel, bevor Sie das Elektrowerkzeug einschalten. Ein Werkzeug oder Schlüssel, der sich in einem drehenden Geräteteil befindet, kann zu Verletzungen führen.
- e) Vermeiden Sie eine abnormale Körperhaltung. Sorgen Sie für einen sicheren Stand und halten Sie jederzeit das Gleichgewicht. Dadurch können Sie das Elektrowerkzeug in unerwarteten Situationen besser kontrollieren.
- f) Tragen Sie geeignete Kleidung. Tragen Sie keine weite Kleidung oder Schmuck. Halten Sie Haare, Kleidung und Handschuhe fern von sich bewegenden Teilen. Lockere Kleidung, Schmuck oder lange Haare können von sich bewegenden Teilen erfasst werden.

- g) Wenn Staubabsaug- und -auffangeinrichtungen montiert werden können, vergewissern Sie sich, dass diese angeschlossen sind und richtig verwendet werden. Die Verwendung einer Staubabsaugung kann Gefährdungen durch Staub verringern.

### **4. Verwendung und Behandlung des Elektrowerkzeugs**

- a) Überlasten Sie das Gerät nicht. Verwenden Sie für Ihre Arbeit das dafür bestimmte Elektrowerkzeug. Mit dem passenden Elektrowerkzeug arbeiten Sie besser und sicherer im angegebenen Leistungsbereich.
- b) Benutzen Sie kein Elektrowerkzeug, dessen Schalter defekt ist. Ein Elektrowerkzeug, das sich nicht mehr ein- oder ausschalten lässt, ist gefährlich und muss repariert werden.
- c) Ziehen Sie den Stecker aus der Steckdose und/oder entfernen Sie den Akku, bevor Sie Geräteeinstellungen vornehmen, Zubehörteile wechseln oder das Gerät weglegen. Diese Vorsichtsmaßnahme verhindert den unbeabsichtigten Start des Elektrowerkzeuges.
- d) Bewahren Sie unbenutzte Elektrowerkzeuge außerhalb der Reichweite von Kindern auf. Lassen Sie Personen das Gerät nicht benutzen, die mit diesem nicht vertraut sind oder diese Anweisungen nicht gelesen haben. Elektrowerkzeuge sind gefährlich, wenn sie von unerfahrenen Personen benutzt werden.
- e) Pflegen Sie Elektrowerkzeuge mit Sorgfalt. Kontrollieren Sie, ob bewegliche Teile einwandfrei funktionieren und nicht klemmen, ob Teile gebrochen oder so beschädigt sind, dass die Funktion des Elektrowerkzeuges beeinträchtigt ist. Lassen Sie beschädigte Teile vor dem Einsatz des Gerätes reparieren. Viele Unfälle haben ihre Ursache in schlecht gewarteten Elektrowerkzeugen.
- f) Halten Sie Schneidwerkzeuge scharf und sauber. Sorgfältig gepflegte Schneidwerkzeuge mit scharfen Schneidkanten verklemmen sich weniger und sind leichter zu führen.
- g) Verwenden Sie Elektrowerkzeug, Zubehör, Einsatzwerkzeuge usw. entsprechend diesen Anweisungen. Berücksichtigen Sie dabei die Arbeitsbedingungen und die auszuführende Tätigkeit. Der Gebrauch von Elektrowerkzeugen

für andere als die vorgesehenen Anwendungen kann zu gefährlichen Situationen führen.

## 5. Service

- a) Lassen Sie Ihr Elektrowerkzeug nur von qualifiziertem Fachpersonal und nur mit Original-Ersatzteilen reparieren. Damit wird sichergestellt, dass die Sicherheit des Elektrowerkzeugs erhalten bleibt.
- b) Lassen Sie den Austausch des Steckers oder der Anschlussleitung immer vom Hersteller des Elektrowerkzeugs oder seinem Kundendienst ausführen. Damit wird sichergestellt, dass die Sicherheit des Elektrowerkzeugs erhalten bleibt.

## Sicherheitshinweise für alle Anwendungen

### Gemeinsame Sicherheitshinweise zum Schleifen und Trennschleifen:

- a) Dieses Elektrowerkzeug ist zu verwenden als Schleifer und Trennschleifmaschine. Beachten Sie alle Sicherheitshinweise, Anweisungen, Darstellungen und Daten, die Sie mit dem Gerät erhalten. Wenn Sie die folgenden Anweisungen nicht beachten, kann es zu elektrischem Schlag, Feuer und / oder schweren Verletzungen kommen.
- b) Dieses Elektrowerkzeug ist nicht geeignet zum Sandpapierschleifen, Arbeiten mit Drahtbürsten und Polieren. Verwendungen, für die das Elektrowerkzeug nicht vorgesehen ist, können Gefährdungen und Verletzungen verursachen.
- c) Verwenden Sie kein Zubehör, das vom Hersteller nicht speziell für dieses Elektrowerkzeug vorgesehen und empfohlen wurde. Nur weil Sie das Zubehör an Ihrem Elektrowerkzeug befestigen können, garantiert das keine sichere Verwendung.
- d) Die zulässige Drehzahl des Einsatzwerkzeugs muss mindestens so hoch sein wie die auf dem Elektrowerkzeug angegebene Höchstdrehzahl. Zubehör, das sich schneller als zulässig dreht, kann zerbrechen und umherfliegen.
- e) Außendurchmesser und Dicke des Einsatzwerkzeugs müssen den Maßangaben Ihres Elektrowerkzeugs entsprechen. Falsch bemessene Einsatzwerkzeuge können nicht ausreichend abgeschirmt oder kontrolliert werden.
- f) Einsatzwerkzeuge mit Gewindeinsatz müssen genau auf das Gewinde der Schleifspindel passen. Bei Einsatzwerkzeugen, die mittels Flansch montiert werden, muss der Lochdurchmesser des Einsatzwerkzeugs zum Aufnahmedurchmesser des Flansches passen. Einsatzwerkzeuge, die nicht genau auf die Schleifspindel passen, drehen sich ungleichmäßig, vibrieren sehr stark und können zum Verlust der Kontrolle führen.
- g) Verwenden Sie keine beschädigten Einsatzwerkzeuge. Kontrollieren Sie vor jeder Verwendung Einsatzwerkzeuge wie Schleifscheiben auf Abspaltungen und Risse, Schleifteller auf Risse, Verschleiß oder starke Abnutzung, Drahtbürsten auf lose oder gebrochene Drähte. Wenn das Elektrowerkzeug oder das Einsatzwerkzeug herunterfällt, überprüfen Sie, ob es beschädigt ist, oder verwenden Sie ein unbeschädigtes Einsatzwerkzeug. Wenn Sie das Einsatzwerkzeug kontrolliert und eingesetzt haben, halten Sie und in der Nähe befindliche Personen sich außerhalb der Ebene des rotierenden Einsatzwerkzeugs auf und lassen Sie das Gerät eine Minute lang mit Höchstdrehzahl laufen. Beschädigte Einsatzwerkzeuge brechen meist in der Testzeit.
- h) Tragen Sie persönliche Schutzausrüstung. Verwenden Sie je nach Anwendung Vollgesichtsschutz, Augenschutz oder Schutzbrille. Soweit angemessen, tragen Sie Staubmaske, Gehörschutz, Schutzhandschuhe oder Spezialschürze, die kleine Schleif- und Materialpartikel von Ihnen fernhalten. Die Augen sollen vor herumfliegenden Fremdkörpern geschützt werden, die bei verschiedenen Anwendungen entstehen. Staub- oder Atemschutzmaske müssen den bei der Anwendung entstehenden Staub filtern. Wenn Sie lange lautem Lärm ausgesetzt sind, können Sie einen Hörverlust erleiden.
- i) Achten Sie bei anderen Personen auf sicheren Abstand zu Ihrem Arbeitsbereich. Jeder, der den Arbeitsbereich betritt, muss persönliche Schutzausrüstung tragen. Bruchstücke des Werkstücks oder gebrochene Einsatzwerkzeuge können wegfliegen und Verletzungen auch außerhalb des direkten Arbeitsbereichs verursachen.
- j) Halten Sie das Elektrowerkzeug nur an den isolierten Griffflächen, wenn Sie Arbeiten ausführen.

ren, bei denen das Einsatzwerkzeug verborgene Stromleitungen oder das Netzkabel treffen kann. Der Kontakt mit einer spannungsführenden Leitung kann auch metallene Geräteteile unter Spannung setzen und zu einem elektrischen Schlag führen.

- k) **Halten Sie das Netzkabel von sich drehenden Einsatzwerkzeugen fern.** Wenn Sie die Kontrolle über das Gerät verlieren, kann das Netzkabel durchtrennt oder erfasst werden und Ihre Hand oder Arm in das sich drehende Einsatzwerkzeug geraten.
- l) **Legen Sie das Elektrowerkzeug niemals ab, bevor das Einsatzwerkzeug völlig zum Stillstand gekommen ist.** Das sich drehende Einsatzwerkzeug kann in Kontakt mit der Ablagefläche geraten, wodurch Sie die Kontrolle über das Elektrowerkzeug verlieren können.
- m) **Lassen Sie das Elektrowerkzeug nicht laufen, während Sie es tragen.** Ihre Kleidung kann durch zufälligen Kontakt mit dem sich drehenden Einsatzwerkzeug erfasst werden und das Einsatzwerkzeug sich in Ihren Körper bohren.
- n) **Reinigen Sie regelmäßig die Lüftungsschlitze Ihres Elektrowerkzeugs.** Das Motorgebläse zieht Staub in das Gehäuse, und eine starke Ansammlung von Metallstaub kann elektrische Gefahren verursachen.
- o) **Verwenden Sie das Elektrowerkzeug nicht in der Nähe brennbarer Materialien.** Funken können diese Materialien entzünden.
- p) **Verwenden Sie keine Einsatzwerkzeuge, die flüssige Kühlmittel erfordern.** Die Verwendung von Wasser oder anderen flüssigen Kühlmitteln kann zu einem elektrischen Schlag führen.

## Rückschlag und entsprechende Sicherheitshinweise

Rückschlag ist die plötzliche Reaktion infolge eines hakenden oder blockierten drehenden Einsatzwerkzeugs, wie Schleifscheibe, Schleifteller, Drahtbürste usw. Verhaken oder Blockieren führt zu einem abrupten Stopp des rotierenden Einsatzwerkzeugs. Dadurch wird ein unkontrolliertes Elektrowerkzeug gegen die Drehrichtung des Einsatzwerkzeugs an der Blockierstelle beschleunigt.

Wenn z.B. eine Schleifscheibe im Werkstück hakt oder blockiert, kann sich die Kante der Schleifscheibe, die in das Werkstück eintaucht, verfangen und dadurch die Schleifscheibe ausbrechen oder einen

Rückschlag verursachen. Die Schleifscheibe bewegt sich dann auf die Bedienperson zu oder von ihr weg, je nach Drehrichtung der Scheibe an der Blockierstelle. Hierbei können Schleifscheiben auch brechen.

Ein Rückschlag ist die Folge eines falschen oder fehlerhaften Gebrauchs des Elektrowerkzeugs. Er kann durch geeignete Vorsichtsmaßnahmen, wie nachfolgend beschrieben, verhindert werden.

- a) **Halten Sie das Elektrowerkzeug gut fest und bringen Sie Ihren Körper und Ihre Arme in eine Position, in der Sie die Rückschlagkräfte abfangen können.** Verwenden Sie immer den Zusatzgriff, falls vorhanden, um die größtmögliche Kontrolle über Rückschlagkräfte oder Reaktionsmomente beim Hochlauf zu haben. Die Bedienperson kann durch geeignete Vorsichtsmaßnahmen die Rückschlag- und Reaktionskräfte beherrschen.
- b) **Bringen Sie Ihre Hand nie in die Nähe sich drehender Einsatzwerkzeuge.** Das Einsatzwerkzeug kann sich beim Rückschlag über Ihre Hand bewegen.
- c) **Meiden Sie mit Ihrem Körper den Bereich, in den das Elektrowerkzeug bei einem Rückschlag bewegt wird.** Der Rückschlag treibt das Elektrowerkzeug in die Richtung entgegengesetzt zur Bewegung der Schleifscheibe an der Blockierstelle.
- d) **Arbeiten Sie besonders vorsichtig im Bereich von Ecken, scharfen Kanten usw. Verhindern Sie, dass Einsatzwerkzeuge vom Werkstück zurückprallen und verklemmen.** Das rotierende Einsatzwerkzeug neigt bei Ecken, scharfen Kanten oder wenn es abprallt dazu, sich zu verklemmen. Dies verursacht einen Kontrollverlust oder Rückschlag.
- e) **Verwenden Sie kein Ketten- oder gezähntes Sägeblatt.** Solche Einsatzwerkzeuge verursachen häufig einen Rückschlag oder den Verlust der Kontrolle über das Elektrowerkzeug.

## Besondere Sicherheitshinweise zum Schleifen und Trennschleifen

- a) **Verwenden Sie ausschließlich die für Ihr Elektrowerkzeug zugelassenen Schleifkörper und die für diese Schleifkörper vorgesehene Schutzhaube.** Schleifkörper, die nicht für das Elektrowerkzeug vorgesehen sind, können nicht ausreichend abgeschirmt werden und sind unsicher.

- b) **Gekröpfte Schleifscheiben müssen so montiert werden, dass ihre Schleiffläche nicht über der Ebene des Schutzhaubenrandes hervorsticht.** Eine unsachgemäß montierte Schleifscheibe, die über die Ebene des Schutzhaubenrandes hinausragt, kann nicht ausreichend abgeschirmt werden.
- c) **Die Schutzhaube muss sicher am Elektrowerkzeug angebracht und für ein Höchstmaß an Sicherheit so eingestellt sein, dass der kleinstmögliche Teil des Schleifkörpers offen zum Bediener zeigt.** Die Schutzhaube soll die Bedienperson vor Bruchstücken und zufälligem Kontakt mit dem Schleifkörper schützen.
- d) **Schleifkörper dürfen nur für die empfohlenen Einsatzmöglichkeiten verwendet werden. Zum Beispiel: Schleifen Sie nie mit der Seitenfläche einer Trennscheibe.** Trennscheiben sind zum Materialabtrag mit der Kante der Scheibe bestimmt. Seitliche Kraftereinwirkung auf diese Schleifkörper kann sie zerbrechen.
- e) **Verwenden Sie immer unbeschädigte Spannflansche in der richtigen Größe und Form für die von Ihnen gewählte Schleifscheibe.** Geeignete Flansche stützen die Schleifscheibe und verringern so die Gefahr eines Schleifscheibenbruchs. Flansche für Trennscheiben können sich von den Flanschen für andere Schleifscheiben unterscheiden.
- f) **Verwenden Sie keine abgenutzten Schleifscheiben von größeren Elektrowerkzeugen.** Schleifscheiben für größere Elektrowerkzeuge sind nicht für die höheren Drehzahlen von kleineren Elektrowerkzeugen ausgelegt und können brechen.
- c) **Falls die Trennscheibe verklemt oder Sie die Arbeit unterbrechen, schalten Sie das Gerät aus und halten Sie es ruhig, bis die Scheibe zum Stillstand gekommen ist. Versuchen Sie nie, die noch laufende Trennscheibe aus dem Schnitt zu ziehen, sonst kann ein Rückschlag erfolgen.** Ermitteln und beheben Sie die Ursache für das Verklemmen.
- d) **Schalten Sie das Elektrowerkzeug nicht wieder ein, solange es sich im Werkstück befindet. Lassen Sie die Trennscheibe erst ihre volle Drehzahl erreichen, bevor Sie den Schnitt vorsichtig fortsetzen.** Andernfalls kann die Scheibe verhaken, aus dem Werkstück springen oder einen Rückschlag verursachen.
- e) **Stützen Sie Platten oder große Werkstücke ab, um das Risiko eines Rückschlags durch eine eingeklemmte Trennscheibe zu vermindern.** Große Werkstücke können sich unter ihrem eigenen Gewicht durchbiegen. Das Werkstück muss auf beiden Seiten der Scheibe abgestützt werden, und zwar sowohl in der Nähe der Trennscheibe als auch an der Kante.
- f) **Seien Sie besonders vorsichtig bei „Tauschnitten“ in bestehende Wände oder andere nicht einsehbare Bereiche.** Die eintauchende Trennscheibe kann beim Schneiden in Gas- oder Wasserleitungen, elektrische Leitungen oder andere Objekte einen Rückschlag verursachen.

DE  
AT  
CH

**Weitere besondere Sicherheitshinweise zum Trennschleifen**

- a) **Vermeiden Sie ein Blockieren der Trennscheibe oder zu hohen Anpressdruck. Führen Sie keine übermäßig tiefen Schnitte aus.** Eine Überlastung der Trennscheibe erhöht deren Beanspruchung und die Anfälligkeit zum Verkanten oder Blockieren und damit die Möglichkeit eines Rückschlags oder Schleifkörperbruchs.
- b) **Meiden Sie den Bereich vor und hinter der rotierenden Trennscheibe.** Wenn Sie die Trennscheibe im Werkstück von sich wegbewegen, kann im Falle eines Rückschlags das Elektrowerkzeug mit der sich drehenden Scheibe direkt auf Sie zugeschleudert werden.

## Zulässiges Zubehör

	Max. Durchmesser Ø (mm)	Max. Dicke (mm)	Gewinde-maß (mm)	Drehzahl (min <sup>-1</sup> )	Drehzahl (m/s)	Werkzeug	Schutzhaube
Trennscheiben	230	3	M14	6500	80	Zweiloch-schlüssel	Ja
Schruppscheiben	230	6	M14	6500	80	Zweiloch-schlüssel	Ja

## Aufbewahrung und Handhabung der empfohlenen Einsatzwerkzeuge

- Schleifwerkzeuge sind mit Vorsicht zu behandeln und zu transportieren.
- Schleifwerkzeuge sind so zu lagern, dass sie keinen mechanischen Beschädigungen oder Umwelteinflüssen (z. B. Feuchtigkeit) ausgesetzt sind.

## Arbeitshinweise

### HINWEIS

- Schleifkörper dürfen nur für die empfohlenen Einsatzmöglichkeiten verwendet werden. Andernfalls könnten sie zerbrechen, beschädigt werden und Verletzungen verursachen.

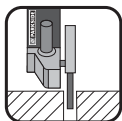
### Schruppschleifen:



Verwenden Sie niemals Trennscheiben zum Schrumpfen!

- Bewegen Sie den Winkelschleifer mit mäßigem Druck über das Werkstück hin und her.
- Führen Sie bei weichem Material die Schruppscheibe in einem flachen Winkel über das Werkstück, bei hartem Material in einem etwas steileren Winkel.

### Trennschleifen:




Verwenden Sie niemals Schruppscheiben zum Trennen!

- Verwenden Sie nur geprüfte faserstoffverstärkte Trenn- oder Schleifscheiben, die für eine Umfangsgeschwindigkeit von nicht weniger als 80 m / s zugelassen sind.

### ⚠ VORSICHT!

Das Schleifwerkzeug läuft nach dem Ausschalten nach. Bremsen Sie es nicht durch seitliches Gegen drücken ab.

- **Sichern Sie das Werkstück.** Benutzen Sie Spannvorrichtungen / Schraubstock, um das Werkstück festzuhalten. Es ist damit sicherer gehalten, als mit Ihrer Hand.
- **Schalten Sie das Gerät vor dem Ablegen immer aus und warten Sie, bis das Gerät zum Stillstand gekommen ist.**
- **Entriegeln Sie bei einem Stromausfall oder wenn der Netzstecker gezogen wird, sofort den EIN- / AUS-Schalter.** Bringen Sie ihn in AUS-Position. Dies verhindert einen unkontrollierten Wiederanlauf.
- **Verwenden Sie das Gerät nur für Trockenschnitt bzw. Trockenschliff.**
- **Der Zusatz-Handgriff  muss bei allen Arbeiten mit dem Gerät montiert sein.**
- **Asbesthaltiges Material darf nicht bearbeitet werden.** Asbest gilt als krebserregend.



**Tipp!** So verhalten Sie sich richtig.

### ⚠ GEFAHR! FÜHREN SIE DAS GERÄT IMMER IM GEGENLAUF DURCH DAS WERKSTÜCK.

- Bei entgegengesetzter Richtung besteht die Gefahr eines Rückschlags. Das Gerät kann aus dem Schnitt gedrückt werden.
- **Führen Sie das Gerät immer eingeschaltet gegen das Werkstück.** Heben Sie das Gerät nach der Bearbeitung vom Werkstück ab und schalten Sie es erst dann aus.
- **Halten Sie das Gerät während der Arbeit immer fest mit beiden Händen.** Sorgen Sie für einen sicheren Stand.
- Für die beste Schleifwirkung bewegen Sie das Gerät gleichmäßig in einem Winkel von 15° bis 30° (zwischen Schleifscheibe und Werkstück) auf dem Werkstück hin und her.

- Beim Bearbeiten von schrägen Flächen darf das Gerät nicht mit großer Kraft auf das Werkstück gedrückt werden. Wenn die Drehzahl stark abfällt, müssen Sie die Andruckkraft reduzieren, um sicheres und effektives Arbeiten zu ermöglichen. Sollte das Gerät plötzlich vollkommen gebremst oder blockiert sein, muss der Netzstrom sofort ausgeschaltet werden.
- Trennen: Arbeiten Sie mit mäßigem Vorschub und verkanten Sie die Trennscheibe nicht.
- Schrupp- und Trennscheiben werden beim Arbeiten sehr heiß – lassen Sie sie vor dem Berühren vollständig abkühlen.
- Verwenden Sie das Gerät niemals zweckentfremdet.
- Achten Sie immer darauf, dass das Gerät ausgeschaltet ist, bevor Sie den Netzstecker in die Steckdose stecken.
- Ziehen Sie bei Gefahr sofort den Netzstecker aus der Steckdose. Sorgen Sie dafür, dass das Gerät und der Netzstecker leicht zugänglich und im Notfall problemlos erreichbar sind.
- Ziehen Sie bei Arbeitspausen, vor allen Arbeiten am Gerät und bei Nichtgebrauch immer den Netzstecker aus der Steckdose. Das Gerät muss stets sauber, trocken und frei von Öl oder Schmierfetten sein.
- Seien Sie stets aufmerksam! Achten Sie immer darauf, was Sie tun, und gehen Sie stets mit Vernunft vor. Benutzen Sie das Gerät in keinem Fall, wenn Sie unkonzentriert sind oder sich unwohl fühlen.



**Schutzbrille tragen!**



**Staubschutzmaske tragen!**

## Bedienung

### Schutzhaube mit Schnellverschluss montieren

#### **WARNUNG! VERLETZUNGSGEFAHR**

- ▶ Ziehen Sie vor allen Arbeiten am Gerät den Netzstecker aus der Steckdose!

#### **VERLETZUNGSGEFAHR**

- ▶ Verwenden Sie den Winkelschleifer immer mit der Schutzhaube **7**. Die Schutzhaube muss sicher am Winkelschleifer angebracht werden. Stellen Sie diese so ein, dass ein Höchstmaß an Sicherheit erreicht wird, d.h. der kleinstmögliche Teil des Schleifkörpers zeigt offen zur Bedienperson. Die Schutzhaube **7** soll die Bedienperson vor Bruchstücken und zufälligem Kontakt mit dem Schleifkörper schützen.

#### **VERLETZUNGSGEFAHR**

- ▶ Achten Sie darauf, dass die Schutzhaube **7** mindestens im gleichen Winkel wie der Zusatz-Handgriff **6** montiert wird (siehe Abb. B). Andernfalls können Sie sich an der Schrupp- bzw. Trennscheibe verletzen.
- ◆ Öffnen Sie den Spannhebel **8**.
- ◆ Setzen Sie die Schutzhaube **7** mit der Codier-nase **9** in die Codiernut **16**.
- ◆ Drehen Sie die Schutzhaube **7** in die erforderliche Stellung (Arbeitsposition). Die geschlossene Seite der Schutzhaube **7** muss stets zum Bediener zeigen.
- ◆ Schließen Sie den Spannhebel **8** zum Festklemmen der Schutzhaube **7**. Falls erforderlich, kann die Spannkraft des Verschlusses durch Lösen oder Anziehen der Justierschraube **10** verändert werden. Stellen Sie sicher, dass die Schutzhaube **7** fest auf dem Spindelhalss sitzt.



## Zusatz-Handgriff montieren

### ⚠ VORSICHT!

- ▶ Aus Sicherheitsgründen darf dieses Gerät nur mit dem Zusatz-Handgriff **6** verwendet werden. Andernfalls können Verletzungen die Folge sein. Der Zusatz-Handgriff **6** kann je nach Arbeitsweise links, rechts oder oben am Gerätekopf eingeschraubt werden.

## Schrupp- / Trennscheibe montieren / wechseln



Tragen Sie beim Wechseln von Trenn- / Schruppscheiben immer **Schutzhandschuhe**. Schrupp- und Trennscheiben werden beim Arbeiten sehr heiß. Fassen Sie diese nicht an, bevor sie abgekühlt sind.

Die Abmessungen der Schrupp- oder Trennscheiben beachten. Der Lochdurchmesser muss ohne Spiel zum Aufnahmeﬂansch passen. Keine Reduzierstücke oder Adapter verwenden.

- **Überprüfen Sie die Schrupp- oder Trennscheibe. Sie darf weder beschädigt noch feucht sein oder Risse aufzeigen.** Andernfalls könnten sie beim Gebrauch zerbrechen und Verletzungen verursachen.

### HINWEIS

- ▶ Verwenden Sie unbedingt nur schmutzfreie Scheiben.
- Verwenden Sie nur Schleifwerkzeuge, deren zulässige Drehzahl mindestens so hoch ist wie die Leerlaufdrehzahl des Gerätes.
- **VERLETZUNGSGEFAHR!** Betätigen Sie die Spindel-Arretiertaste **11** nur bei stillstehender Aufnahmespindel **14**.
- ◆ Drücken Sie die Spindel-Arretiertaste **11** zum Blockieren des Getriebes.
- ◆ Lösen Sie die Spannmutter **13** mit Hilfe des Zweilochschlüssels **17** (siehe Abb. D).
- ◆ Setzen Sie die Schrupp- oder Trennscheibe, mit der beschrifteten Seite zum Gerät, auf den Aufnahmeﬂansch **15**.

- ◆ Setzen Sie anschließend die Spannmutter **13**, mit der erhobenen Seite nach oben, wieder auf die Aufnahmespindel **14**.
- ◆ Drücken Sie die Spindel-Arretiertaste **11** zum Blockieren des Getriebes.
- ◆ Ziehen Sie die Spannmutter **13** mit dem Zweilochschlüssel **17** wieder fest.

### HINWEIS

- ▶ Wenn die Scheibe nach dem Wechsel unruhig läuft oder schwingt, muss diese Scheibe sofort wieder ausgewechselt werden.
- ◆ Lassen Sie das Gerät nach einem Scheibenwechsel sicherheitshalber 60 Sekunden auf Höchstdrehzahl laufen. Achten Sie auf ungewöhnliche Geräusche und Funkenentwicklung.
- ◆ Überprüfen Sie, ob alle Befestigungsteile korrekt angebracht sind.
- ◆ Achten Sie darauf, dass der Drehrichtungspfeil (falls vorhanden) auf den Trenn-, oder Schruppscheiben (auch Diamant-Trennscheiben) und die Drehrichtung des Gerätes (Drehrichtungspfeil auf dem Gerätekopf) übereinstimmen.

## Ein- und ausschalten

Überprüfen Sie das eingesetzte Werkzeug vor Gebrauch. Es muss einwandfrei montiert sein, darf weder beschädigt noch feucht sein oder Risse aufweisen und sich frei drehen. Führen Sie einen 60 Sekunden dauernden Probelauf durch. Verwenden Sie keine unrunder oder vibrierenden Werkzeuge. Achten Sie auf ungewöhnliche Geräusche und Funkenentwicklung. Überprüfen Sie danach, ob alle Befestigungsteile korrekt angebracht sind.

### HINWEIS

- ▶ Schalten Sie den Winkelschleifer immer vor Materialkontakt ein und führen Sie das Gerät erst dann auf das Werkstück.

## Einschalten:

- ◆ Betätigen Sie die Einschaltsperrleiste **3** (siehe Abb. E).
- ◆ Drücken Sie anschließend den EIN- /AUS-Schalter **2**.

## Ausschalten:

- ◆ Lassen Sie den EIN- / AUS-Schalter **2** wieder los.

## Gerätegriff drehen

- Der Gerätegriff **1** lässt sich um 90° nach rechts oder nach links drehen (siehe Abb. A).
- Dadurch kann der EIN- / AUS-Schalter **2** je nach Arbeitsbedingung in eine günstigere Position gebracht werden.
- ◆ Drücken Sie die Entriegelungstaste **4** und drehen Sie den Gerätegriff **1** nach rechts oder links.
- ◆ Lassen Sie den Gerätegriff **1** einrasten.

## Wartung und Reinigung



**WARNUNG! VERLETZUNGSGEFAHR!**  
Schalten Sie vor allen Arbeiten am Gerät das Gerät aus und ziehen Sie den Netzstecker.

- Verwenden Sie keine scharfen Gegenstände zur Reinigung des Gerätes. Es dürfen keine Flüssigkeiten in das Innere des Gerätes gelangen. Andernfalls kann das Gerät beschädigt werden.
- Lassen Sie den Austausch der Kohlebürsten ausschließlich durch die Servicestelle oder eine anerkannte Fachwerkstatt durchführen. Ansonsten ist das Gerät wartungsfrei.
- Reinigen Sie das Gerät regelmäßig, am besten immer direkt nach Abschluss der Arbeit.
- Reinigen Sie das Gehäuse mit einem trockenen Tuch – verwenden Sie auf keinen Fall Benzin, Lösungsmittel oder Reiniger, die Kunststoff angreifen.
- Zur gründlichen Reinigung des Gerätes wird ein Staubsauger benötigt.
- Lüftungsöffnungen müssen immer frei sein.
- Entfernen Sie anhaftenden Schleifstaub mit einem Pinsel.

### HINWEIS

- ▶ Nicht aufgeführte Ersatzteile (wie z. B. Kohlebürsten, Schalter) können Sie über unsere Service - Hotline bestellen.

## Entsorgung



Die Verpackung besteht aus umweltfreundlichen Materialien. Sie kann in den örtlichen Recyclebehältern entsorgt werden.



**Werfen Sie Elektrowerkzeuge nicht in den Hausmüll!**

Gemäß Europäischer Richtlinie 2012/19/EU müssen verbrauchte Elektrowerkzeuge getrennt gesammelt und einer umweltgerechten Wiederverwertung zugeführt werden.

Möglichkeiten zur Entsorgung des ausgedienten Gerätes erfahren Sie bei Ihrer Gemeinde- oder Stadtverwaltung.

## Garantie

**Sie erhalten auf dieses Gerät 3 Jahre Garantie ab Kaufdatum. Das Gerät wurde sorgfältig produziert und vor Anlieferung gewissenhaft geprüft. Bitte bewahren Sie den Kassenbon als Nachweis für den Kauf auf. Bitte setzen Sie sich im Garantiefall mit Ihrer Servicestelle telefonisch in Verbindung. Nur so kann eine kostenlose Einsendung Ihrer Ware gewährleistet werden.**

Die Garantieleistung gilt nur für Material- oder Fabrikationsfehler, nicht aber für Transportschäden, Verschleißteile oder für Beschädigungen an zerbrechlichen Teilen, z. B. Schalter oder Akkus. Das Produkt ist lediglich für den privaten und nicht für den gewerblichen Gebrauch bestimmt. Bei missbräuchlicher und unsachgemäßer Behandlung, Gewaltanwendung und bei Eingriffen, die nicht von unserer autorisierten Service-Niederlassung vorgenommen wurden, erlischt die Garantie. Ihre gesetzlichen Rechte werden durch diese Garantie nicht eingeschränkt. Die Garantiezeit wird durch die Gewährleistung nicht verlängert. Dies gilt auch für ersetzte und reparierte Teile. Eventuell schon beim Kauf vorhandene Schäden und Mängel müssen sofort nach dem Auspacken gemeldet werden, spätestens aber zwei Tage nach Kaufdatum. Nach Ablauf der Garantiezeit anfallende Reparaturen sind kostenpflichtig.

## Service

**DE Service Deutschland**  
 Tel.: 0800 5435 111 (Kostenfrei aus dem  
 dt. Festnetz/Mobilfunknetz)  
 E-Mail: kompernass@lidl.de  
 IAN 273273

**AT Service Österreich**  
 Tel.: 0820 201 222 (0,15 EUR/Min.)  
 E-Mail: kompernass@lidl.at  
 IAN 273273

**CH Service Schweiz**  
 Tel.: 0842 665566 (0,08 CHF/Min.,  
 Mobilfunk max. 0,40 CHF/Min.)  
 E-Mail: kompernass@lidl.ch  
 IAN 273273

### Erreichbarkeit Hotline:

Montag bis Freitag von 8:00 Uhr – 20:00 Uhr (MEZ)

## Importeur

KOMPERNASS HANDELS GMBH  
 BURGSTRASSE 21  
 44867 BOCHUM  
 GERMANY  
 www.kompernass.com

## Original- Konformitätserklärung

Wir, KOMPERNASS HANDELS GMBH, Dokumen-  
 tenverantwortlicher: Herr Semi Uguzlu, BURGSTR. 21,  
 44867 BOCHUM, DEUTSCHLAND, erklären hiermit,  
 dass dieses Produkt mit den folgenden Normen,  
 normativen Dokumenten und EG-Richtlinien  
 übereinstimmt:

**Maschinenrichtlinie  
 (2006 / 42 / EC)**

**Elektromagnetische Verträglichkeit  
 (2004 / 108 / EC)**

**RoHS Richtlinie  
 (2011 / 65 / EU)**

### Angewandte harmonisierte Normen:

EN 60745-1:2009/A11:2010  
 EN 60745-2-3:2011/A12:2014  
 EN 55014-1:2006/A2:2011  
 EN 55014-2:1997/A2:2008  
 EN 61000-3-2:2014  
 EN 61000-3-3:2013

### Typbezeichnung der Maschine:

Winkelschleifer PWS 230 B2

### Herstellungsjahr: 10-2015

### Seriennummer: IAN 273273

Bochum, 21.08.2015



Semi Uguzlu  
 - Qualitätsmanager -

Technische Änderungen im Sinne der Weiterent-  
 wicklung sind vorbehalten.





**KOMPERNASS HANDELS GMBH**

BURGSTRASSE 21

44867 BOCHUM

DEUTSCHLAND / GERMANY

[www.kompernass.com](http://www.kompernass.com)

Last Information Update - Versiunea informațiilor

Έκδοση των πληροφοριών

Stand der Informationen: 08 / 2015 Ident.-No.: PWS230B2-082015-1

---

IAN 273273